

A.J.S. Motor Cycles

LIST OF
SPARE PARTS
FOR
1930 Models
Series "R" only.

2nd EDITION.
HOME and EXPORT

A. J. Stevens & Co. (1914) Ltd.
WOLVERHAMPTON.

TELEPHONE, 1731.
(Five Lines.)

CODES.
A.B.C. 5th Edition.
A.B.C. 6th Edition.
Bentley's.
Marconi International.

TELEGRAMS.
"HOPIY, Wolverhampton."

Price 1/-

IMPORTANT NOTICE.

IMPORTANT NOTE FOR 2nd EDITION.

All alterations and additions herein which make any difference from the 1st Edition are UNDERLINED.

Whenever possible, when ordering Spare Parts, state from which Edition the Part Numbers are quoted.

FIRST ERRATA TO SECOND EDITION.

Page 24

ZA8600	Silencer only. Delete Models R4, 6, 8, 9.		
ZB8681	Silencer only. Delete Model R12.		
	<i>Insert new lines:—</i>		
ZB8650	Silencer only (Off-Side). R4, 6, 8, 9	Price	£1/0/0
ZB8655	Silencer only (Near Side). R6, 8	Price	£1/0/0
ZB8685	Silencer only (Off-Side). R12	Price	19/-
ZB8690	Silencer only (Near Side). R12	Price	19/-

Page 43

WB2311	Alter Part No. to read WB302 (Wheel Spokes $8\frac{1}{4}'' \times 9G.$) <i>A little lower down.</i>
WB302	Alter Part No. to read WB2311 (Wheel Spokes $8\frac{1}{4}'' \times 9G.$)

(1914) LTD.

IMPORTANT NOTICE.

The prices in this List are applicable ONLY to parts purchased in Great Britain and Northern Ireland.

These prices are no indication of the selling price of Spare Parts in other countries, since prices there must include Import Duties, etc., etc.

Further, these prices are subject to alteration without notice, and we reserve the right to charge for all parts supplied at prices ruling at the time of delivery.

In a few cases the prices given in this List vary from the prices in earlier Lists for the same part.

In all such cases the 1930 price is the correct one. Earlier Lists should be altered accordingly.

A. J. STEVENS & CO. (1914) LTD.

February, 1930.

STEVENS & CO. (1914) LTD.
10, Abchurch Lane, London, E.C. 4
Telephone: 4300
Cable: STEVENS LONDON
Agents for the United Kingdom and Ireland
of the following:-
A. J. STEVENS & CO. (1914) LTD.
10, Abchurch Lane, London, E.C. 4
Telephone: 4300
Cable: STEVENS LONDON

1930 SPARE PARTS LIST.



INSTRUCTIONS TO BE OBSERVED.

(1) All correspondence and parcels must be addressed to the firm, at our Head Offices as below, and not to individuals:

Messrs. A. J. STEVENS & Co. (1914) Ltd.,
GRAISELEY HOUSE,
WOLVERHAMPTON.

It will greatly facilitate prompt attention to Clients' correspondence or requirements if letters or goods are addressed, **in addition**, to the department concerned. By observing this simple rule the execution of orders will be greatly expedited.

(2) THE MAIN DEPARTMENTS ARE AS FOLLOWS:—

Departments.	New Machines ...	Sales Department.
	New Machines for Export	Export Sales Department.
	Repairs, Overhauls or Replacements of Parts under Guarantee	Repair Department.
	Spare Parts ...	Spare Parts Department.
	Spare Parts for Export..	Export Spare Parts Department.
	Accounts ...	Accounts Department.

(3) The earlier letters and orders are posted the better. Unless such arrive for delivery here early in the day, it is impossible to ensure despatch of reply or goods by return of post.

(4)

Accessories omitted.

We do not stock Spares for Magdynos, Magnetos, Lamps, Horns, etc., and all Carburettor Controls and Parts. With each machine we supply a copy of the Spares List issued by the makers of these Parts. We advise Clients to obtain their requirements from the nearest Service Dealer, or direct from the Makers of these articles.

(5)

Instructions for and Labelling of Parts sent to Works and for Estimates.

Parts sent to us to be repaired, replaced, or as patterns, should bear distinctly the sender's full name and address, and explicit instructions should be sent by the same post in a separate letter of advice stating specifically what is required. We are sometimes asked by Clients when sending their Engines or Motor Cycles, etc., for repairs or overhauls to furnish an **Estimate** for the necessary work. We are pleased to do this on the distinct understanding that we reserve the right to charge for any extra work or new parts found necessary to put such machine or engine, etc., in good running order, which it may have been impossible to detect when dismantling. We prefer not to undertake a repair or overhaul (nor do we accept any responsibility) when the estimate for same has been curtailed by the owner. If an estimate is not accepted after tender, a charge is made for taking down, re-assembling and preparing the estimate.

(6)

Return of Old Parts.

It is **important** that we should be instructed if old parts are required to be returned, as they cannot be held in reserve at our works beyond **seven days** from date of completion of order.

(7)

Removal of all Accessories from Machines.

When forwarding a complete Motor Cycle, do not fail to remove all accessories, such as lamp, horn, tools, badges, etc., otherwise we cannot be held responsible for their safe return, although we take every possible precaution in this respect.

(8)

Carriage and Packing Charges, Rail and Post.

All goods sent as patterns or for repairs must be consigned **Carriage Paid** or we cannot accept delivery of same. All rail goods returned by us will be sent **passenger train** unless other instructions are received. Packing Boxes, Crates, etc., are charged at cost, and are strictly **Non-Returnable**.

All goods to Spares Orders, where the maximum weight is under 1-lb. are sent per letter post (unless specified otherwise) in order to curtail postage expenses as much as possible, since these are borne by the Client. No claim, however, can be made on the Post Office if a parcel is lost when sent by letter post.

(9) When Treasury notes or coin is remitted, **do not fail to Register the Letter**, as otherwise we do not accept responsibility for the correct amount reaching us

(10) Please do not enclose cheques or money of any kind in parcels sent to the Company. All payments should be made through separate post and the amount stated in letter. We accept no responsibility for loss if money is enclosed in parcels.

(11) Our terms are strictly **Nett Cash** with order, or cash against **Pro Forma Invoice**. All cheques and postal orders must be made payable to A. J. Stevens & Co. (1914) Ltd., and **Crossed**. If the amount remitted is in excess of cost, the balance will be returned. If customers desire a Deposit Account can be opened.

(12) We prefer not to send goods by the Cash on Delivery System. **C.O.D.** orders cannot be executed with such speedy despatch as other orders, owing to the extra time involved in making out the various official forms, special labels, etc., as required by the Postmaster-General.

(13) If Parts are urgently wanted and it is necessary to send us a telegram, do not fail to include **Full Name and Full Address** in the message. Unless this is done the Post Office do not give this information in the telegram. The omission of this information necessitates the goods being held back until confirmation is received by post. Orders or instructions received by telegram or over the 'phone must be confirmed by letter enclosing remittance.

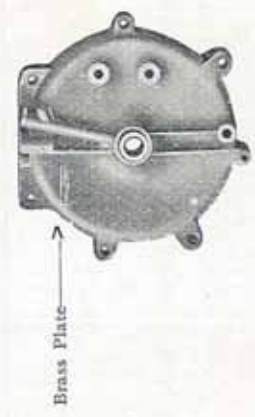
(14) In the event of loss or damage to goods when in transit, whether sent letter post, parcel post, or rail, we hold no responsibility whatever, and all claims for compensation must be made by Clients direct to the Post Office or Railway Authorities.

(15) Every effort is made to despatch goods ordered by return, but if the works are temporarily out of stock of certain items, the whole order is held back until we can execute in full, unless instructions to the contrary are given by Clients on their order.

List of 1930 Models.

Model R2—	Standard Heavyweight Machine	...	9.96 h.p.
Model R4—	De Luxe Side Valve Sporting Machine		3.49 h.p.
Model R5—	Standard Side Valve Sporting Machine		3.49 h.p.
Model R6—	Overhead Valve Machine	...	3.49 h.p.
Model R8—	Overhead Valve Machine	...	4.98 h.p.
Model R9—	De Luxe Side Valve Touring Machine		4.98 h.p.
Model R12—	Overhead Valve Lightweight Machine		2.48 h.p.

When the Model is in doubt, quote Engine Number stamped on Brass Plate on the driving side of Crankcase. (See illustration below.) The same number will be found on the seat tube of the Frame.



Chromium Plating.

Chromium plated replacements will be supplied as standard for all 1930 models, including those which are identical with nickel-plated parts fitted to 1929 and earlier models, unless the latter are specially ordered.

When ordering quote Part Number (not Illustration Number), Description and Model. For interchangeability of old part numbers see List for previous years.

Illustration Reference Number	Part No.	Description.	Suitable for the Models indicated SERIES "R" see page 3.	Price, £ s. d.	For Dealer's Use Only, Old Part No.
1	ZB2	Front Cylinder Head, with Valve Guides.	R2	2 4 0	
	ZB21	Rear Cylinder Head, with Valve Guides.	R2	2 4 0	
	ZB41	Cylinder Head, with Valve Guides.	R4	2 1 0	
	ZB81	Cylinder Head, with Valve Guides.	R6	2 14 3	
	ZB141	Cylinder Head, with Valve Guides.	R8	2 14 3	
	ZB161	Cylinder Head, with Valve Guides.	R9	2 6 0	
	ZB201	Cylinder Head, with Valve Guides.	R12	1 17 3	
	ZA220	Cylinder Barrel, Front or Rear	R2	1 14 0	
	ZA240	Cylinder Barrel.	R4	1 11 9	
	ZB251	Solid Cylinder Barrel, with Valve Guides.	R5	3 13 3	
2	ZB281	Cylinder Barrel.	R6	1 12 9	
	ZB341	Cylinder Barrel.	R8	1 12 9	
	ZA360	Cylinder Barrel.	R9	1 12 9	
	ZB401	Cylinder Barrel.	R12	1 9 3	
3	ZA420	Cylinder Foot Washer.	R2	2	H26-1
	ZB440	Cylinder Foot Washer.	R4	2	G7-4
	ZB460	Cylinder Foot Washer.	R8, 9	2	F6
	ZB480	Cylinder Foot Washer.	R5, 12	2	
4	ZA510	Cylinder Foot Studs, $\frac{1}{2} \times 1 \frac{1}{2} \times 25 \& 20$.	All Models	7	
	ZB520	Cylinder Foot Stud Nuts, $\frac{1}{2} \times 25 \times \frac{1}{2} \times \frac{1}{2}$.	All Models	2	K32
5	ZA540	Cylinder Head Washer.	R2, 9	5	G7-3
	ZB560	Cylinder Head Washer.	R4	5	H27-1
7	ZA580	Cylinder Head Washer.	R6	5	
	ZA620	Cylinder Head Washer.	R8	5	
	ZB661	Cylinder Head Washer.	R12	5	
	ZB890	Cylinder Head Pin, $\frac{1}{2} \times 3 \frac{1}{2} \times 20$.	R2, 4, 9	1 5	K36

3.49-h.p. Gear Ratio Chart, R5.12.

Illustration Reference Number	Part No.	Description.	Suitable for the Models indicated SERIES "R" see page 3.	Price, £ s. d.	For Dealer's Use Only, Old Part No.
1	ZB2	Front Cylinder Head, with Valve Guides.	R2	2 4 0	
	ZB21	Rear Cylinder Head, with Valve Guides.	R2	2 4 0	
	ZB41	Cylinder Head, with Valve Guides.	R4	2 1 0	
	ZB81	Cylinder Head, with Valve Guides.	R6	2 14 3	
	ZB141	Cylinder Head, with Valve Guides.	R8	2 14 3	
	ZB161	Cylinder Head, with Valve Guides.	R9	2 6 0	
	ZB201	Cylinder Head, with Valve Guides.	R12	1 17 3	
	ZA220	Cylinder Barrel, Front or Rear	R2	1 14 0	
	ZA240	Cylinder Barrel.	R4	1 11 9	
	ZB251	Solid Cylinder Barrel, with Valve Guides.	R5	3 13 3	
2	ZB281	Cylinder Barrel.	R6	1 12 9	
	ZB341	Cylinder Barrel.	R8	1 12 9	
	ZA360	Cylinder Barrel.	R9	1 12 9	
	ZB401	Cylinder Barrel.	R12	1 9 3	
3	ZA420	Cylinder Foot Washer.	R2	2	H26-1
	ZB440	Cylinder Foot Washer.	R4	2	G7-4
	ZB460	Cylinder Foot Washer.	R8, 9	2	F6
	ZB480	Cylinder Foot Washer.	R5, 12	2	
4	ZA510	Cylinder Foot Studs, $\frac{1}{2} \times 1 \frac{1}{2} \times 25 \& 20$.	All Models	7	
	ZB520	Cylinder Foot Stud Nuts, $\frac{1}{2} \times 25 \times \frac{1}{2} \times \frac{1}{2}$.	All Models	2	K32
5	ZA540	Cylinder Head Washer.	R2, 9	5	G7-3
	ZB560	Cylinder Head Washer.	R4	5	H27-1
7	ZA580	Cylinder Head Washer.	R6	5	
	ZA620	Cylinder Head Washer.	R8	5	
	ZB661	Cylinder Head Washer.	R12	5	
	ZB890	Cylinder Head Pin, $\frac{1}{2} \times 3 \frac{1}{2} \times 20$.	R2, 4, 9	1 5	K36

3.49-h.p. Gear Ratio Chart, R4.6.

Part No.	Description.	Price, £ s. d.
58	Brake Drum	14
20	Axle Sprocket	28
42	Clutch Sprocket	22
24	Main Gear Wheel	18
20	Low Gear Wheel	28
42	Layshaft Sliding Pinion	22
24	Layshaft Pinion	18
20	Main Axle Sliding Pinion	20
10	Engine Sprocket, Top Gear.	12.180
11	11.072	
12	10.150	
13	9.368	
14	8.700	
15	8.120	
16	7.612	
17	7.164	
18	6.766	
19	6.410	
20	6.090	
21	5.800	
22	5.536	
23	5.295	
24	5.070	
25	4.872	
10	Engine Sprocket, Bottom Gear.	12.180
11	11.072	
12	10.150	
13	9.368	
14	8.700	
15	8.120	
16	7.612	
17	7.164	
18	6.766	
19	6.410	
20	6.090	
21	5.800	
22	5.536	
23	5.295	
24	5.070	
25	4.872	

When ordering quote Part Number (not Illustration Number), Description and Model. For interchangeability of old part numbers see List for previous years.

Illustration Reference Number	Part No.	Description.	Suitable for the Models indicated SERIES "R" - see page 5.	Price, £ s. d.	For Dealer's Use Only, Old Part No.
7	ZA710	Cylinder Head Pin, $\frac{1}{2} \times 3\frac{1}{2} \times 20$, Plated.	R6, 8	1 5	
	ZB711	Cylinder Head Pin, $\frac{3}{4} \times 4\frac{1}{2} \times 20$, Plated.	R12	1 5	
	ZB721	Connecting Rod with Bushes.	R2	1 4 3	
	ZB741	Connecting Rod with Bushes.	R4	1 4 3	
	ZB742	Connecting Rod with Bushes.	R5	1 4 3	
	ZB761	Connecting Rod with Bushes.	R6	1 4 3	
	ZB801	Connecting Rod with Bushes.	R8	1 4 3	
8	ZB821	Connecting Rod with Bushes.	R9	1 4 3	
	ZB861	Connecting Rod with Bushes.	R12	1 1 3	
	ZA880	Gudgeon Pin Bush (or Small End Bush).	R2, 8, 9	2 0	G12-1
	ZB900	Gudgeon Pin Bush (or Small End Bush).	R4, 5, 6	1 9	H35-1
	ZB920	Gudgeon Pin Bush (or Small End Bush).	R12	1 9	F9
	ZB941	Crank Pin Outer Race (or Big End Roller Race).	R2	2 6	
	ZB961	Crank Pin Outer Race (or Big End Roller Race).	R4, 6, 8, 9	2 6	
10	ZB981	Crank Pin Outer Race (or Big End Roller Race).	R5, 12	2 6	
	ZB985	Big End Roller Cage (for $\frac{1}{2} \times \frac{1}{2}$).	R2, 5, 12	3 0	
	ZB986	Big End Roller Cage (for $\frac{1}{2} \times \frac{1}{2}$).	R4, 6, 8, 9	4 0	
	ZB1001	Crank Pin complete with Race, Cage, and Roller Bearings.	R2	1 5 6	
	ZB1021	Crank Pin complete with Race, Cage, and Roller Bearings.	R4, 6, 8, 9	1 3 3	
	ZB1061	Crank Pin complete with Race, Cage, and Roller Bearings.	R5, 12	1 2 0	
	ZB1101	Crank Pin only, less Nuts.	R2	10 6	
11	ZB1121	Crank Pin only, less Nuts.	R4, 6, 8, 9	8 6	
	ZB1181	Crank Pin only, less Nuts.	R5, 12	7 6	
	ZB1261	Crank Pin Nut, $\frac{1}{2} \times 20 \times 1\frac{1}{2} \times \frac{1}{2}$.	R2, 4, 6, 8, 9	3	
	ZB1271	Crank Pin Nut, $\frac{1}{2} \times 20 \times 1 \times \frac{1}{2}$.	R5, 12	3	
	ZB1281	Crank Pin Roller (set of 48 for R2, set of 24 for R5, 12), ($\frac{1}{2} \times \frac{1}{2}$), each.	R2, 5, 12	2	
	ZB1301	Crank Pin Roller (set of 24), ($\frac{1}{2} \times \frac{1}{2}$), each.	R4, 6, 8, 9	2	
	N.I.				

When ordering quote Part Number (not Illustration Number), Description and Model. For interchangeability of old part numbers see List for previous years.

Illustration Reference Number	Part No.	Description.	Suitable for the Models indicated SERIES "R" - see page 5.	Price, £ s. d.	For Dealer's Use Only, Old Part No.
13	ZA1320	Gudgeon Pin.	R2, 8, 9	3 6	G11
	ZB1340	Gudgeon Pin.	R4, 5, 6	2 0	H52
	ZB1360	Gudgeon Pin.	R12	1 9	F16
	ZA1380	Gudgeon Pin Ring.	R2, 8, 9	1	G13
	ZB1400	Gudgeon Pin Ring.	R4, 5, 6	1	H55
	ZB1420	Gudgeon Pin Ring.	R12	1	F17
	ZB1441	Piston complete with Gudgeon Pin, Rings, etc., (Low Compression).	R2, 9	1 4 9	
	ZB1461	Piston complete with Gudgeon Pin, Rings, etc., (Low Compression).	R4	1 0 9	
	ZB1482	Piston complete with Gudgeon Pin, Rings, etc., (Low Compression).	R5	1 0 9	
	ZB1481	Piston complete with Gudgeon Pin, Rings, etc., (Low Compression).	R6	1 1 0	
	ZB1521	Piston complete with Gudgeon Pin, Rings, etc., (Low Compression).	R8	1 4 9	
	ZB1561	Piston complete with Gudgeon Pin, Rings, etc., (Low Compression).	R12	17 9	
	15		NOTE.—High Compression Pistons for special purposes can be supplied for certain models. Details will be sent on application.		
ZB1661		Piston Body only (Low Compression).	R2, 9	17 3	
ZB1681		Piston Body only (Low Compression).	R4	15 0	
ZB1682		Piston Body only (Low Compression).	R5	15 0	
ZB1701		Piston Body only (Low Compression).	R6	15 0	
ZB1741		Piston Body only (Low Compression).	R8	17 3	
ZB1781		Piston Body only (Low Compression).	R12	12 0	
		All 1930 Low Compression Pistons are fitted with three rings at the top, and one at the bottom.			
ZA1880		Piston Rings.	R2, 8, 9	11	G16
ZB1900		Piston Rings.	R4, 5, 6	11	H85
ZB1920		Piston Rings.	R12	11	F20
ZB1940		Valve, complete with Springs, etc.	R2, 4, 5, 9	5 6	H86
ZA1960		Valve, complete with Springs, etc.	R6, 8	14 9	
ZB2001		Valve, complete with Springs, etc.	R12	10 9	

When ordering quote Part Number (not Illustration Number), Description and Model. For interchangeability of old part numbers see List for previous years.

Illustration Reference Number	Part No.	Description.	Suitable for the Models indicated SERIES "R" see page 5.	Price, £ s. d.	For Dealer's Use Only, Old Part No.
17	ZB2020	Valve Stem (Inlet or Exhaust).	R2, 4, 5, 9	4 0	H93
	ZA2040	Valve Stem (Inlet or Exhaust).	R6, 8	11 6	
	ZB2061	Valve Stem (Inlet or Exhaust).	R12	7 6	
	ZB2100	Valve Guide (Inlet or Exhaust).	R2, 4, 5, 9	1 6	H100
	ZB2121	Valve Guide (Inlet). (Now fitted with Liner.)	R12	3 6	
	ZB2122	Valve Guide (Exhaust).	R12	4 0	
18	ZB2140	Valve Guide (Inlet).	R6, 8	2 3	H104-1
	ZA2200	Valve Guide (Exhaust).	R6, 8	4 0	
	ZB2220	Valve Spring.	R2, 4, 5, 9	10	H105
	ZB2240	Valve Spring Outer.	R6, 8, 12	10	H107
19	ZB2260	Valve Spring Inner.	R6, 8, 12	7	H108
	ZB2280	Valve Spring Cone.	R2, 4, 5, 9	7	H109
20	ZB2300	Valve Spring Cone.	R6, 8, 12	1 3	H111-1
	ZB2320	Valve Spring Cup.	R2, 4, 5, 9	7	H112
21	ZB2350	Valve Spring Cotter.	R2, 4, 5, 9	2	H115
	ZB2370	Valve Split Collar.	R6, 8	7	H117
22	ZB2371	Valve Split Collar.	R12	7	
	ZA2380	Valve Spring Dish.	R6, 8, 12	7	
23	ZA2385	Valve Spring Cover (Front).	R2	9	
	ZA2390	Valve Spring Cover (Rear).	R2	3 9	
24	ZA2400	Valve Spring Cover.	R4	3 9	
	ZB2401	Valve Spring Cover.	R5	3 9	
25	ZA2410	Valve Spring Cover.	R9	3 9	
	ZA2430	Stud for Valve Spring Cover, $\frac{1}{4} \times 1 \times 20$.	R2	2	
26	ZA2440	Sleeve Nut for Stud for Valve Spring Cover (Plated) Screwed Head.	R2	4	
	ZA2450	Pin for Valve Spring Cover (Plated) $\frac{1}{4} \times \frac{1}{4} \times 20$ (Screw Head).	R4, 5, 9	3	
25	ZB2460	Exhaust Valve Cap.	R2, 4, 5, 9	2 3	H144

When ordering quote Part Number (not Illustration Number), Description and Model. For interchangeability of old part numbers see List for previous years.

Illustration Reference Number.	Part No.	Description.	Suitable for the Models indicated SERIES "R" see page 5.	Price, £ s. d.	For Dealer's Use Only, Old Part No.
27	ZB2480	Inlet Valve Cap.	R2, 4, 5, 9	2 3	H119
	ZB2500	Valve Cap Washer.	R2, 4, 5, 9	2	H120
	ZB2530	Exhaust Lifter Lever (R.H. Long).	R2	1 0	K98
	ZB2550	Exhaust Lifter Lever (L.H. Long).	R2	1 0	K100
	ZB2570	Exhaust Lifter Lever (R.H. Short).	R2	7	K103
	ZB2590	Exhaust Lifter Lever (L.H. Short).	R2	7	K106
31	ZA2640	Exhaust Lifter Lever, 4" long.	R5, 12	1 5	
	ZB2680	Spindle for Exhaust Lifter Lever.	R2	7	K108
32	ZB2691	Spindle for Exhaust Lifter Lever.	R4, 6, 8, 9	3 3	
	ZA2700	Spindle for Exhaust Lifter Lever.	R5, 12	3 3	
33	ZB2720	Nut for Exhaust Lifter Lever Spindle $\frac{1}{4} \times 20 \times \frac{3}{8} \times \frac{1}{8}$.	R2, 5, 12	1	H139
	ZB2730	Washer for Exhaust Lifter Lever Spindle $\frac{1}{4}$ " Plain.	R2, 5, 12	1	H134
N.I.	ZB2750	Return Spring for Exhaust Lifter Lever.	R2	3	K113
	ZB2760	Return Spring for Exhaust Lifter Lever.	R4, 5, 6, 8, 9, 12	3	H129
N.I.	ZB2771	Bush for Exhaust Lifter Spindle.	R4, 6, 8, 9	10	
	ZA2780	Pin for Exhaust Lifter Cable $\frac{1}{4} \times \frac{1}{2} \times 26$ (Plated).	R5, 12	7	
DO NOT quote Illustration Number when ordering.	YB2163	Nut for Pin for Exhaust Lifter Cable, $\frac{1}{4} \times 26 \times \frac{3}{8} \times \frac{1}{8}$ (Plated).	R5, 12	3	
	MA500	Washer for Pin for Exhaust Lifter Cable $\frac{1}{4}$ " Single Spring.	R5, 12	1	F155
35	ZB2821	Exhaust Valve Tappet Rod (Front or Rear Cylinder).	R2	4 0	
	ZB2841	Exhaust Valve Tappet Rod	R4	4 6	
35	ZB2842	Exhaust Valve Tappet Rod	R5	4 6	
	ZB2851	Exhaust Valve Tappet Rod.	R6, 8,	4 6	
N.I.	ZB2852	Exhaust Valve Tappet Rod.	R9	4 0	
	ZB2853	Exhaust Valve Tappet Rod.	R12	4 6	
N.I.	ZB2860	Exhaust Valve Tappet Rod Locknut $\frac{1}{4} \times 28 \times \frac{3}{8} \times 1$.	R2	7	K117
	ZB2890	Exhaust Valve Tappet Rod Locknut $\frac{1}{4} \times 28 \times \frac{3}{8} \times \frac{1}{2}$	R4, 5, 9, 12	2	H144
35	ZB2901	Inlet Valve Tappet Rod (Front).	R2	3 3	

When ordering quote Part Number (not Illustration Number), Description and Model. For interchangeability of old part numbers see List for previous years.

Illustration Reference Number	Part No.	Description.	Suitable for the Models indicated SERIES "R" see page 5.	Price, £ s. d.	For Dealer's Use Only, Old Part No.
35	ZB2921	Inlet Valve Tappet Rod (Rear).	R2	3 6	
	ZB2921	Inlet Valve Tappet Rod.	R4	3 6	
	ZB2922	Inlet Valve Tappet Rod.	R5	3 0	
	ZB3131	Inlet Valve Tappet Rod.	R6, 8	3 6	
	ZB3132	Inlet Valve Tappet Rod.	R9	4 0	
	ZB3133	Inlet Valve Tappet Rod.	R12	3 6	
	ZB2890	Inlet Valve Tappet Rod Locknut $\frac{1}{8} \times 28 \times \frac{1}{8} \times \frac{1}{8}$	R2, 4, 5, 9, 12	2	H144
	ZB3191	Tappet Top (Inlet and Exhaust).	R2	10	
	ZB3231	Tappet Top (Inlet and Exhaust).	R4	8	
	ZB3232	Tappet Top (Inlet and Exhaust).	R5	9	
	ZB3251	Tappet Top (Inlet and Exhaust).	R9	10	G31-1
	ZB3270	Tappet Stud in Crankcase.	R2	3	K129
	ZB3290	Tappet Stud in Crankcase.	R4, 5, 6, 8, 9, 12	3	H149
36	ZB3311	Tappet Guide (Exhaust) (Front or Rear).	R2	3 6	
	ZB3331	Tappet Guide (Exhaust).	R4, 6, 8	2 9	
	ZB3332	Tappet Guide (Exhaust).	R5, 12	2 9	
	ZB3351	Tappet Guide (Exhaust).	R9	3 0	
	ZB3391	Tappet Guide (Inlet) (Front).	R2	3 3	
	ZB3411	Tappet Guide (Inlet) (Rear).	R2	2 9	
	ZB3431	Tappet Guide (Inlet).	R4, 6, 8	3 3	
	ZB3432	Tappet Guide (Inlet).	R5, 12	2 9	
	ZB3311	Tappet Guide (Inlet).	R9	3 6	
	ZB3491	Tappet Guide Nut (Inlet or Exhaust) (Front or Rear).	R2	1 9	
	ZB3531	Tappet Guide Nut (Inlet or Exhaust).	R4	1 3	
	ZB3532	Tappet Guide Nut (Inlet or Exhaust).	R5	10	
	ZB3551	Tappet Guide Nut (Inlet or Exhaust).	R6, 8, 12	1 6	
ZB3571	Tappet Guide Nut (Inlet or Exhaust).	R9	1 6		
37	ZB3311	Tappet Guide (Exhaust) (Front or Rear).	R2	3 6	
	ZB3331	Tappet Guide (Exhaust).	R4, 6, 8	2 9	
	ZB3332	Tappet Guide (Exhaust).	R5, 12	2 9	
	ZB3351	Tappet Guide (Exhaust).	R9	3 0	
	ZB3391	Tappet Guide (Inlet) (Front).	R2	3 3	
	ZB3411	Tappet Guide (Inlet) (Rear).	R2	2 9	
	ZB3431	Tappet Guide (Inlet).	R4, 6, 8	3 3	
	ZB3432	Tappet Guide (Inlet).	R5, 12	2 9	
	ZB3311	Tappet Guide (Inlet).	R9	3 6	
	ZB3491	Tappet Guide Nut (Inlet or Exhaust) (Front or Rear).	R2	1 9	
	ZB3531	Tappet Guide Nut (Inlet or Exhaust).	R4	1 3	
	ZB3532	Tappet Guide Nut (Inlet or Exhaust).	R5	10	
	ZB3551	Tappet Guide Nut (Inlet or Exhaust).	R6, 8, 12	1 6	
ZB3571	Tappet Guide Nut (Inlet or Exhaust).	R9	1 6		
38	ZB3311	Tappet Guide (Exhaust) (Front or Rear).	R2	3 6	
	ZB3331	Tappet Guide (Exhaust).	R4, 6, 8	2 9	
	ZB3332	Tappet Guide (Exhaust).	R5, 12	2 9	
	ZB3351	Tappet Guide (Exhaust).	R9	3 0	
	ZB3391	Tappet Guide (Inlet) (Front).	R2	3 3	
	ZB3411	Tappet Guide (Inlet) (Rear).	R2	2 9	
	ZB3431	Tappet Guide (Inlet).	R4, 6, 8	3 3	
	ZB3432	Tappet Guide (Inlet).	R5, 12	2 9	
	ZB3311	Tappet Guide (Inlet).	R9	3 6	
	ZB3491	Tappet Guide Nut (Inlet or Exhaust) (Front or Rear).	R2	1 9	
	ZB3531	Tappet Guide Nut (Inlet or Exhaust).	R4	1 3	
	ZB3532	Tappet Guide Nut (Inlet or Exhaust).	R5	10	
	ZB3551	Tappet Guide Nut (Inlet or Exhaust).	R6, 8, 12	1 6	
ZB3571	Tappet Guide Nut (Inlet or Exhaust).	R9	1 6		
39	ZB3311	Tappet Guide (Exhaust) (Front or Rear).	R2	3 6	
	ZB3331	Tappet Guide (Exhaust).	R4, 6, 8	2 9	
	ZB3332	Tappet Guide (Exhaust).	R5, 12	2 9	
	ZB3351	Tappet Guide (Exhaust).	R9	3 0	
	ZB3391	Tappet Guide (Inlet) (Front).	R2	3 3	
	ZB3411	Tappet Guide (Inlet) (Rear).	R2	2 9	
	ZB3431	Tappet Guide (Inlet).	R4, 6, 8	3 3	
	ZB3432	Tappet Guide (Inlet).	R5, 12	2 9	
	ZB3311	Tappet Guide (Inlet).	R9	3 6	
	ZB3491	Tappet Guide Nut (Inlet or Exhaust) (Front or Rear).	R2	1 9	
	ZB3531	Tappet Guide Nut (Inlet or Exhaust).	R4	1 3	
	ZB3532	Tappet Guide Nut (Inlet or Exhaust).	R5	10	
	ZB3551	Tappet Guide Nut (Inlet or Exhaust).	R6, 8, 12	1 6	
ZB3571	Tappet Guide Nut (Inlet or Exhaust).	R9	1 6		

When ordering quote Part Number (not Illustration Number), Description and Model. For interchangeability of old part numbers see List for previous years.

Illustration Reference Number	Part No.	Description.	Suitable for the Models indicated SERIES "R" see page 5.	Price, £ s. d.	For Dealer's Use Only, Old Part No.
40	ZB3631	Mainshaft (Timing Side).	R2	8 9	
	ZB3632	Mainshaft (Timing Side).	R4, 6, 8, 9	3 9	
	ZB3633	Mainshaft (Timing Side).	R5, 12	8 9	
	ZB3661	Mainshaft (Driving Side).	R2, 4, 6, 8, 9	11 0	
	ZB3661	Mainshaft (Driving Side).	R5, 12	11 0	
	ZB3665	Mainshaft Packing Shim (Timing Side).	R2, 4, 6, 8, 9	2	
	ZB3667	Mainshaft Packing Shim (Timing and Driving Side).	R5, 12	2	
	ZB3690	Mainshaft Packing Shim (Driving Side).	R2, 4, 6, 8, 9	2	
	ZB1261	Mainshaft Locknut $\frac{1}{2} \times 20 \times 1 \frac{1}{8} \times \frac{1}{8}$.	R2, 4, 6, 8, 9	3	
	ZB1271	Mainshaft Locknut $\frac{1}{2} \times 20 \times 1 \times \frac{1}{8}$.	R5, 12	3	
	ZA3750	Woodruff Key No. 6 (Large) (3 used).	All Models	2	H201
	ZB3760	Woodruff Key No. 3 (Small) (2 used).	All Models	2	H202
	ZB3830	Mainshaft Ball Race (Timing Side) $2 \times \frac{1}{2} \times \frac{1}{8}$.	R2, 4, 6, 8, 9	11 6	H207-2
ZB3850	Mainshaft Ball Race (Timing Side) $2 \times \frac{1}{2} \times \frac{1}{8}$.	R5, 12	10 0	H212-2	
ZB3850	Mainshaft Ball Race (Driving Side) $2 \times \frac{1}{2} \times \frac{1}{8}$.	R5, 12	10 0	H212-2	
ZB3851	Mainshaft Ball Race (Driving Side) $2 \frac{1}{2} \times 1 \times \frac{1}{8}$.	R2, 4, 6, 8, 9	9 0		
ZB3871	Mainshaft Distance Piece (Timing Side).	R2	1 0		
ZB3872	Mainshaft Distance Piece (Timing Side).	R4, 6, 8, 9	1 0		
ZB3873	Mainshaft Distance Piece (Timing Side).	R5, 12	1 3		
ZB3881	Mainshaft Distance Piece (Driving Side).	R2, 4, 6, 8, 9	5 0		
ZB3882	Mainshaft Distance Piece (Driving Side).	R5, 12	4 0		
ZB3921	Crankcase Half with Races (Timing Side).	R2	1 19 6		
ZB3941	Crankcase Half with Races (Timing Side).	R4, 6	1 10 9		
ZB3942	Crankcase Half with Races (Timing Side).	R5, 12	1 13 9		
ZB3981	Crankcase Half with Races (Timing Side).	R8, 9	1 18 0		
ZB4041	Crankcase Half with Races (Driving Side).	R2	2 4 6		
ZB4061	Crankcase Half with Races (Driving Side).	R4, 6	1 18 9		

When ordering quote Part Number (not Illustration Number), Description and Model. For interchangeability of old part numbers see List for previous years.

Illustration Reference Number.	Part No.	Description.	Suitable for the Models indicated SERIES "R" — see Page 5.	Price, £ s. d.	For Dealer's Use Only, Old Part No.
42	ZB4062	Crankcase Half with Races (Driving Side).	R5, 12	1 15 9	
	ZB4101	Crankcase Half with Races (Driving Side).	R8, 9	2 3 0	
	WB721	Felt Washer for Crankcase (Driving Side).	R2, 4, 6, 8, 9	2	
	WB741	Felt Washer for Crankcase (Driving Side).	R5, 12	2	
N.I.	ZA4160	NOTE.—Crankcase Halves are not supplied separately. Paper Washer for Crankcase.	R2	3	
	ZB4171	Paper Washer for Crankcase.	R4, 6	3	
N.I.	ZB4181	Paper Washer for Crankcase.	R8, 9	3	
	ZB4201	Paper Washer for Crankcase.	R5, 12	3	
45	ZA4210	Timing Cover only, with Bushes.	R2	1 0 6	
	ZB4231	Timing Cover only, with Bushes.	R4, 6, 8, 9	8 0	
	ZA4250	Timing Cover only with Bushes.	R5, 12	7 0	
		NOTE.—Not supplied separately from Crankcase.			
	ZA4270	Paper Washer for Timing Cover.	R2	3	
	ZB4281	Paper Washer for Timing Cover.	R4, 6, 8, 9	3	
	ZA4290	Paper Washer for Timing Cover.	R5, 12	3	
	ZA4450	Timing Cover Pins (Long) "O" BA x 1 1/4 Hex Head.	R2, 4, 5, 6, 8, 9, 12	4	
	ZA4460	Timing Cover Pins (Short) "O" BA x 1/2 Hex Head.	All Models	3	
	ZB4465	Timing Cover Pins (Short) "O" BA x 1/2 (Slotted) Hex Head.	R2, 4, 6, 8, 9	3	
N.I.	ZB4466	Timing Cover Pin (Screwed Head) "O" BA x 1/2 Countersunk Head.	R2	4	
	ZB4470	Timing Cover Pins (Cheese Head) "O" x 1/4 Round Head.	All Models	4	
	ZA4480	Magneto Chain Cover Pin (Long) "O" BA x 2 Hex Head.	R2, 5, 12	4	
	ZB4481	Magneto Chain Cover Pin (Short) "O" BA x 1 1/4 Hex Head.	R4, 6, 8, 9	3	
	ZB4491	Magneto Chain Cover, complete with Pump Unit.	R2	1 10 0+	
	ZB4511	Magneto Chain Cover, complete with Pump Unit.	R4, 6, 8, 9	1 10 0+	
	ZB4531	Magneto Chain Cover, complete with Pump Unit.	R5, 12	1 10 0+	
	ZB4551	Magneto Chain Cover, less Pump Parts	R2	14 6+	

When ordering quote Part Number (not Illustration Number), Description and Model. For interchangeability of old part numbers see List for previous years.

Illustration Reference Number.	Part No.	Description.	Suitable for the Models indicated SERIES "R" — see Page 5.	Price, £ s. d.	For Dealer's Use Only, Old Part No.
44	ZB4571	ENGINE—Continued. Magneto Chain Cover, less Pump Parts	R4, 6, 8, 9	14 6+	
	ZB4591	Magneto Chain Cover, less Pump Parts.	R5, 12	14 6+	
	ZA4610	Pump Sealing Washer (Coek).	All Models	1+	
	ZB4621	Oil Feed Tube.	R2	3+	
	ZA4622	Oil Feed Tube.	R4, 6, 8, 9	3+	
	ZB4623	Oil Feed Tube.	R5, 12	3+	
		For Oil Sump Connections See Page 68.			
	ZA4650	Oil Feed Washer.	All Models	3+	
	ZA4660	Pump Plunger.	All Models	6 0+	
	ZA4670	Driving Worms.	All Models	2 3+	
N.I.	ZA4680	Driving Spindle Bush.	All Models	1 0+	
	ZA4690	End Plug.	All Models	1 0+	
	ZA4700	Washer for End Plug.	All Models	2+	
	ZA4710	Short Unions. (2 on R2, 3 on other Models.)	All Models	6+	
	ZA4720	Long Unions. (2 on R2, 1 on other Models.)	All Models	8+	
	ZA4730	Brass Liner.	All Models	1 0+	
	ZA4740	Liner Lock Screws "4" BA x 1/4 Cheese Head.	All Models	1+	
	ZA4750	Small Plug Screws "2" BA x 1/4 Cheese Head.	All Models	1+	
	ZA4760	Bush Screws "4" BA x 1/4 Cheese Head.	All Models	1+	
	ZA4770	Cam Screws.	All Models	3+	
44	ZB4771	Pump Unit Cap.	All Models	4+	
	ZB4773	Spring Blade for Pump Unit Cap.	All Models	3+	
	ZB4776	Rivet for Spring Blade.	All Models	2+	
	ZB4790	Bush for Front Exhaust Camshaft in Timing Cover.	All Models	1 6	K205
	ZB4810	Bush for Front Exhaust Camshaft in Crankcase.	All Models	1 6	K214
	ZB4810	Bush for Rear Exhaust Camshaft in Crankcase.	R2	1 6	K214

When ordering quote Part Number (not Illustration Number), Description and Model. For interchangeability of old part numbers see List for previous years.

Illustration Reference Number	Part No.	Description	Suitable for the Models indicated SERIES "R"—see page 5.	Price, £ s. d.	For Dealer's Use Only, Old Part No.
45	ZB4790	Bush for Rear Exhaust Camshaft in Timing Cover.	R2	1 6	K205
	ZB4830	Bush for Double Inlet Camshaft in Timing Cover.	R2	1 6	K208
	ZB4850	Bush for Double Inlet Camshaft in Crankcase.	R2	1 3	K217
	ZB4810	Bush for Inlet Camshaft in Crankcase.	R4, 5, 6, 8, 9, 12	1 6	H266-1
	ZB4790	Bush for Inlet Camshaft in Timing Cover.	R4, 5, 6, 8, 9, 12	1 6	H264-1
	ZB4880	Small Timing Pinion.	R2	4 0	K227
	ZB4900	Small Timing Pinion.	R4, 5, 6, 8, 9, 12	4 0	H268-1
	ZB4920	Small Timing Pinion Locknut $\frac{1}{4} \times 20 \times \frac{1}{8} \times \frac{1}{8}$	All Models	2	H269
	ZB4930	Toggle.	R2	4 6	K222
	ZB4940	Spindle for Toggle.	R2	1 6	K224
	ZB4950	Toggle Spindle Nut $\frac{1}{4} \times 24 \times \frac{1}{8} \times \frac{1}{8}$.	R2	1	K225
	47	ZA5100	Rear Exhaust Camwheel.	R2	8 9
ZA5120		Front Exhaust Camwheel.	R2	8 9	
ZA5140		Double Inlet Camwheel.	R2	11 6	
ZA5160		Exhaust Camwheel.	R4, 6, 8, 9	8 9	
ZB5181		Exhaust Camwheel.	R5, 12	8 9	
ZA5200		Inlet Camwheel.	R4, 6, 8, 9	8 9	
ZB5221		Inlet Camwheel.	R5, 12	8 9	
ZA5240		Rear Exhaust Camshaft.	R2	2 3	
ZB5260		Front Exhaust Camshaft.	R2	3 6	K240
ZB5270		Double Inlet Camshaft.	R2	2 0	K247
ZA5240		Exhaust Camshaft.	R4, 6, 8, 9	3 6	
ZB5260		Exhaust Camshaft.	R5, 12	3 6	K240
ZA5240	Inlet Camshaft.	R2, 5, 12	2 3		
ZB5260	Inlet Camshaft.	R4, 6, 8, 9	3 6	K240	
ZB3760	Woodruffe Key No. 3 (Small) (Two used).	All Models	2	H202	
ZB5520	Magneto Engine Sprocket.	R2, 4, 6, 8, 9	3 6	H289	

When ordering quote Part Number (not Illustration Number), Description and Model. For interchangeability of old part numbers see List for previous years.

Illustration Reference Number	Part No.	Description	Suitable for the Models indicated SERIES "R"—see page 5.	Price, £ s. d.	For Dealer's Use Only, Old Part No.
46	ZB5521	Magneto Engine Sprocket.	R5, 12	3 6	
	ZB5540	Locknut for Magneto Engine Sprocket $\frac{1}{4} \times 26 \times \frac{1}{4} \times \frac{1}{4}$	All Models	3	H290
	ZB5601	Induction Pipe.	R2	7 0	
	ZB5621	Nut for Induction Pipe (Plated) $\frac{1}{4} \times 20 \times \frac{1}{8} \times 1$.	R2	1 6	
	ZB5641	Flanged Inlet Connection.	R2	1 6	
	ZB5661	Locknut for Flanged Inlet Connection $\frac{1}{4} \times 20 \times \frac{1}{8} \times 1$.	R2	4	
	ZA5900	Steading Rod for Cylinder Head.	R2	9	
	ZB5820	Steading Rod for Cylinder Head.	R5	1 3	H314-1
	ZB5921	Steading Rod for Cylinder Barrel	R12	1 3	
	ZA5940	Nut for Steading Rod, $\frac{1}{4} \times 20 \times \frac{1}{4} \times \frac{1}{4}$.	R2	2	
	YA4360	Nut for Steading Rod, $\frac{1}{4} \times 20 \times \frac{1}{4} \times \frac{1}{4}$.	R5, 12	1	
	48	ZA5980	Clip only, for Steading Rod.	R2	4
ZB6000		Bolt only for Clip Bolt $\frac{1}{4} \times \frac{1}{4} \times 20$.	R2	2	H318
ZA6020		Nut only, for Clip Bolt $\frac{1}{4} \times 20 \times \frac{1}{4} \times \frac{1}{4}$.	R2	1	H320
ZA6040		Washer only, for Clip Bolt Nut $\frac{1}{4} \times \frac{1}{4} \times 20$ Single Spring.	R2	1	H163
ZA6160		Oil-Regulating Needle Valve.	R2, 5, 12	1 9	
ZB6161		Oil Regulating Needle Valve.	R4, 6, 8, 9.	1 9	
ZA7160		Locknut for Oil Regulating Needle Valve $\frac{1}{4} \times 28 \times \frac{1}{8} \times \frac{1}{8}$.	R2, 5, 12	3	H177
ZB5540		Locknut for Oil Regulating Needle Valve $\frac{1}{4} \times 28 \times \frac{1}{8} \times \frac{1}{8}$.	R4, 6, 8, 9	3	H290
ZB6220		Compression Plug.	R2, 4, 5, 9	4	H323
ZB6230		Washer for Compression Plug (Small C & A).	R2, 4, 5, 9	1	H324
ZB6241		Flywheel Timingside.	R2	15 0	
ZB6261		Flywheel, Timingside. Dia. 6 $\frac{1}{2}$ "	R4	16 0	
ZB6262	Flywheel, Timingside. Dia. 6 $\frac{1}{2}$ "	R5	16 0		
ZB6263	Flywheel, Timingside. Dia. 7"	R6	16 0		
ZB6301	Flywheel, Timingside.	R8, 9	19 0		
ZB6341	Flywheel, Timingside.	R12	14 6		

When ordering quote Part Number (not Illustration Number), Description and Model. For interchangeability of old part numbers see List for previous years.

Illustration Reference Number	Part No.	Description.	Suitable for the Models indicated SERIES "R" see page 5.	Price, £ s. d.	For Dealer Use Only, Old Part No.	
67	ZB6361	Flywheel, Drivingside.	R2	19 0		
	ZB6361	Flywheel, Drivingside. Dia. 6 $\frac{1}{2}$ "	R4	16 0		
	ZB6362	Flywheel, Drivingside. Dia. 6 $\frac{1}{2}$ "	R5	16 0		
	ZB6363	Flywheel, Drivingside. Dia. 7"	R6	16 0		
	ZB6421	Flywheel, Drivingside.	R8, 9	19 0		
	ZB6461	Flywheel, Drivingside.	R12	14 6		
	ZA6488	O.H.V. Rocker Box without Cover.	R6	18 6		
	ZA6520	O.H.V. Rocker Box without Cover.	R8	18 6		
	ZB6531	O.H.V. Rocker Box without Cover.	R12	18 6		
	ZA6540	Cover only, for O.H.V. Rocker Box.	R6, 12	1 9		
68	ZA6586	Cover only, for O.H.V. Rocker Box.	R8	1 9		
	ZB6590	Pin for O.H.V. Rocker Box Cover 1/2" BA x 1/2 long x 1/8 dia.	R6, 8, 12	4	H164-7	
	ZA6700	Holding Down Pins for O.H.V. Rocker Box 1/2 x 1 1/4 x 20.	R6, 8	3		
	N.I.	XB720	Holding Down Pins for O.H.V. Rocker Box 1/2 x 2 1/4 x 20.	R12	8	F452
		ZA6710	Holding Down Pins for O.H.V. Rocker Box 1/2 x 1 1/2 x 20.	R6, 8	3	
	ZB6630	Holding Down Pins for O.H.V. Rocker Box 1/2 x 1 1/2 x 20.	R12	4	H164-9	
	ZB6741	O.H.V. Rocker with Studs—Exhaust.	R6, 8	15 0		
	ZB6761	O.H.V. Rocker with Stud—Exhaust.	R12	15 0		
	ZB6781	O.H.V. Rocker with Studs—Inlet.	R6, 8	15 0		
	ZB6785	O.H.V. Rocker with Studs—Inlet.	R12	15 0		
73	ZA6640	Bush for O.H.V. Rocker.	R6, 8, 12	2 3		
	ZA6890	Stud for O.H.V. Rocker, Valve End 1/2 x 1 1/4 x 24.	R6, 8, 12	8		
	ZB6871	Stud for O.H.V. Rocker, Ball End.	R6, 8, 12	9		
	ZB6890	Nut for Valve Rocker Pin, 1/2 x 24 x 1/8 x 1/8.	R6, 8, 12	1	H174-3	
	ZB6900	Grease Nipple for Rockers.	R6, 8, 12	3	H180	
	ZB6931	O.H.V. Tappet Tube (overall 9 1/2" both ends female).	R6	4 0		
	74	ENGINE—Continued.				
		ZB6951	O.H.V. Tappet Tube (overall 9 1/2" both ends female).	R8	4 0	
		ZB6952	O.H.V. Tappet Tube (overall 8 1/2" both ends female).	R12	4 0	
		ZA6970	Tappet Enclosing Tube (Long).	R6, 8, 12	2 2	
ZB6991		Tappet Enclosing Tube (Short).	R6, 8, 12	1 1		
ZA7010		Nut for Tappet Enclosing Tube (Top).	R6, 8, 12	1 4		
ZA7020		Nut for Tappet Enclosing Tube (Bottom).	R6, 8, 12	1 4		
NOTE.—Enclosing Tubes (Long or Short) are only supplied complete with Nuts.						
ZB7030		Engine Bolt only, 3 1/2 x 1/4 x 24.	R2	4	K287	
ZB7040		Engine Bolt only, 4 1/2 x 1/4 x 28.	R4, 6, 8, 9	4	G78	
ZB7050	Engine Bolt only, 3 1/2 x 1/4 x 26.	R2	4	K289		
ZB7060	Engine Bolt only, 4 1/2 x 1/8 x 26.	R2	4	K291		
ZA7070	Engine Bolt only, 4 1/2 x 1/4 x 26.	R2	4			
ZB7080	Engine Bolt only, 4 1/2 x 1/4 x 26.	R4, 6, 8,	4	H345-1		
ZB7090	Engine Bolt only, 4 1/2 x 1/4 x 26.	R4, 6	4	H345-2		
ZA7100	Engine Bolt only, 4 1/2 x 1/4 x 26.	R5, 12	4			
ZA7110	Engine Bolt only, 5 1/2 x 1/4 x 26.	R2	4			
ZB7115	Engine Bolt only, 5 x 1/4 x 26	R8, 9	4			
WA1080	Nut for Engine Bolt 1/2 x 24 x 1/8 x 1/8.	R2	2	K297		
ZA7130	Nut for Engine Bolt, 1/2 x 24 x 1/4 x 1/8.	R2	2			
ZB520	Nut for Engine Bolt, 1/2 x 20 x 1/8 x 1/8.	R2, 4, 6, 8, 9	2	H37-4		
ZB5540	Nut for Engine Bolt, 1/2 x 26 x 1/4 x 1/8.	R5, 12	2	F72		
RA5600	Washer for Engine Bolt, 1/2" Single Spring.	R2	1	K301		
ZB7170	Washer for Engine Bolt, 1/2" Single Spring.	All Models	1	H160		
ZA6040	Washer for Engine Bolt, 1/2" Single Spring.	R2	1	K299		
ZA7180	Top Crankcase Stud, 1/2 x 3 1/8 x 20 & 26.	R2	4			
ZA7200	Front Engine Plate (Left or Right Hand).	R2	3 6			
ZB7221	Front Engine Plate (Right Hand).	R4,	1 3			

When ordering quote Part Number (not Illustration Number), Description and Model. For interchangeability of old part numbers see List for previous years.

When ordering quote Part Number (not Illustration Number), Description and Model. For interchangeability of old part numbers see List for previous years.

Illustration Reference Number	Part No.	Description	Suitable for the Models indicated SERIES "R" - see page 5.	Price, £ s. d.	For Dealer's Use Only, Old Part No.	
84	ZB7222	Front Engine Plate (Left Hand).	R4, 6	1 3		
	ZB7241	Front Engine Plate (Right Hand).	R8, 9	1 3		
	ZB7242	Front Engine Plate (Left Hand).	R8, 9	1 3		
	ZB7260	Front Engine Plate (Left or Right Hand).	R5, 12	1 3	F382	
	ZA7260	Rear Engine Plate (Left or Right Hand).	R2	2 6		
	ZB7301	Rear Engine Plate (Left Hand).	R4, 6	5 0		
	ZB7302	Rear Engine Plate (Right Hand).	R4, 6	7 6		
	ZB7321	Rear Engine Plate (Left Hand).	R8, 9	5 0		
	ZB7322	Rear Engine Plate (Right Hand).	R8, 9	7 6		
	ZB7340	Rear Engine Plate (Left or Right Hand).	R5, 12	1 3	F383	
85	ZB7361	Engine Sprocket (State number of teeth).	R2	12 0		
	ZB7381	Engine Sprocket (State number of teeth).	R4, 6	11 0		
	ZB7401	Engine Sprocket (State number of teeth).	R8, 9	12 0		
	ZB7421	Engine Sprocket (State number of teeth).	R5, 12	3 6		
	ZB7445	Engine Sprocket Washer 4" Bore.	R2, 4, 6, 8, 9	4		
	ZB7450	Engine Sprocket Washer, 5" Bore.	R5, 12	4		
	ZB7405	Engine Sprocket Nut, 4" x 20 x 1/2 x 1.	R2, 4, 6, 8, 9	1 3		
	ZB7470	Engine Sprocket Nut, 4" x 20 x 1/2 x 1.	R5, 12	1 0		
	86	ZB7361	Engine Sprocket (State number of teeth).	R2	12 0	
		ZB7381	Engine Sprocket (State number of teeth).	R4, 6	11 0	
ZB7401		Engine Sprocket (State number of teeth).	R8, 9	12 0		
ZB7421		Engine Sprocket (State number of teeth).	R5, 12	3 6		
ZB7445		Engine Sprocket Washer 4" Bore.	R2, 4, 6, 8, 9	4		
ZB7450		Engine Sprocket Washer, 5" Bore.	R5, 12	4		
ZB7405		Engine Sprocket Nut, 4" x 20 x 1/2 x 1.	R2, 4, 6, 8, 9	1 3		
ZB7470		Engine Sprocket Nut, 4" x 20 x 1/2 x 1.	R5, 12	1 0		
89		ZB7222	Front Engine Plate (Left Hand).	R4, 6	1 3	
		ZB7241	Front Engine Plate (Right Hand).	R8, 9	1 3	
	ZB7242	Front Engine Plate (Left Hand).	R8, 9	1 3		
	ZB7260	Front Engine Plate (Left or Right Hand).	R5, 12	1 3	F382	
	ZA7260	Rear Engine Plate (Left or Right Hand).	R2	2 6		
	ZB7301	Rear Engine Plate (Left Hand).	R4, 6	5 0		
	ZB7302	Rear Engine Plate (Right Hand).	R4, 6	7 6		
	ZB7321	Rear Engine Plate (Left Hand).	R8, 9	5 0		
	ZB7322	Rear Engine Plate (Right Hand).	R8, 9	7 6		
	ZB7340	Rear Engine Plate (Left or Right Hand).	R5, 12	1 3	F383	
90	ZB7361	Engine Sprocket (State number of teeth).	R2	12 0		
	ZB7381	Engine Sprocket (State number of teeth).	R4, 6	11 0		
	ZB7401	Engine Sprocket (State number of teeth).	R8, 9	12 0		
	ZB7421	Engine Sprocket (State number of teeth).	R5, 12	3 6		
	ZB7445	Engine Sprocket Washer 4" Bore.	R2, 4, 6, 8, 9	4		
	ZB7450	Engine Sprocket Washer, 5" Bore.	R5, 12	4		
	ZB7405	Engine Sprocket Nut, 4" x 20 x 1/2 x 1.	R2, 4, 6, 8, 9	1 3		
	ZB7470	Engine Sprocket Nut, 4" x 20 x 1/2 x 1.	R5, 12	1 0		
	91	ZB7361	Engine Sprocket (State number of teeth).	R2	12 0	
		ZB7381	Engine Sprocket (State number of teeth).	R4, 6	11 0	
ZB7401		Engine Sprocket (State number of teeth).	R8, 9	12 0		
ZB7421		Engine Sprocket (State number of teeth).	R5, 12	3 6		
ZB7445		Engine Sprocket Washer 4" Bore.	R2, 4, 6, 8, 9	4		
ZB7450		Engine Sprocket Washer, 5" Bore.	R5, 12	4		
ZB7405		Engine Sprocket Nut, 4" x 20 x 1/2 x 1.	R2, 4, 6, 8, 9	1 3		
ZB7470		Engine Sprocket Nut, 4" x 20 x 1/2 x 1.	R5, 12	1 0		
92		ZB7780	Magneto Shield.	R2	3 6	K1388
		ZA7810	Magneto Shield for K.S.A.I. Magneto.	R5, 12	3 6	
	ZB7811	Magneto Shield for K.M.C.I. Magneto	R5, 12	3 6		
	ZB7830	Magneto Shield.	R2	4 6	K1385	
	ZA7850	Magneto Shield.	R5, 12	4 6	H1986-2	
	ZA7870	Pin for fixing Magneto Shield, 1/4" x 1/2" x 20.	R2, 5, 12	2		
	ZB7890	Magneto Sprocket.	All Models	3 6	H1391	
	ZB7910	Magneto Sprocket Sleeve, 1 1/2" overall.	R2	2 0	K1394	
	ZB7920	Magneto Sprocket Sleeve, 1 3/4" overall.	R4, 6, 8, 9	2 0	H1393	
	ZB7960	Magneto Sprocket Sleeve, 1 3/4" overall.	R5, 12	2 0	F734	
ZB7970	Peg Washer for Magneto Sprocket Sleeve	All Models	7	H1394		
ZA8020	Locknut for Magneto Sprocket Sleeve, 1 1/2" x 20 x 1/4" under head.	R2	7	K1399		
ZB8030	Locknut for Magneto Sprocket Sleeve, 1 3/4" x 20 x 1/4" under head.	R4, 6, 8, 9	7	H1396		
ZB8040	Locknut for Magneto Sprocket Sleeve, 1 3/4" x 20 x 1/4" under head.	R5, 12	7	F736		
ZA8060	Magneto Platform.	R2	1 6			
ZB8160	Magneto Platform.	R5, 12	4 0	F737		
ZA8190	Magneto Platform Pin (Short), 1/2" x 16 x 1/2 x 1/4"	R5, 12	3			
ZB8101	Base for Magneto Platform.	R4, 6	4 0			
ZB8121	Base for Magneto Platform.	R8, 9	4 0			
ZA8200	Magneto Platform Pin (Long), 1/2" x 16 x 1/2 x 1/4"	R2	3			
ZB8205	Magneto Platform Pin (Short), 1/2" x 16 x 1/2 x 1/4"	R4, 6, 8, 9	3			
ZA8210	Magneto Platform Pin (Long), 1/2" x 16 x 1/2 x 1/4"	R5, 12	4			
ZB8215	Magneto Adjusting Pin, 1/4" x 20 x 1/4"	R4, 6, 8, 9	3			
ZA8220	Magneto Platform Pin (Short), 1/2" x 16 x 1/2 x 1/4"	R2	2	K365		
ZB7170	Washer for Magneto Platform Pin, 1/2" Single Spring	R2, 5, 12	1	H160		

Magneto Fittings.

NOTE.—State type of Magneto or Magdyno fitted.

Illustration Reference Number

Price, £ s. d.

For Dealer's Use Only, Old Part No.

Suitable for the Models indicated SERIES "R" - see page 5.

Description

Part No.

Illustration Reference Number

Price, £ s. d.

For Dealer's Use Only, Old Part No.

Suitable for the Models indicated SERIES "R" - see page 5.

Description

Part No.

Illustration Reference Number

Price, £ s. d.

For Dealer's Use Only, Old Part No.

Suitable for the Models indicated SERIES "R" - see page 5.

Description

Part No.

Illustration Reference Number

Price, £ s. d.

For Dealer's Use Only, Old Part No.

Suitable for the Models indicated SERIES "R" - see page 5.

Description

Part No.

Illustration Reference Number

Price, £ s. d.

For Dealer's Use Only, Old Part No.

Suitable for the Models indicated SERIES "R" - see page 5.

Description

Part No.

Illustration Reference Number

Price, £ s. d.

For Dealer's Use Only, Old Part No.

Suitable for the Models indicated SERIES "R" - see page 5.

Description

Part No.

Illustration Reference Number

Price, £ s. d.

For Dealer's Use Only, Old Part No.

Suitable for the Models indicated SERIES "R" - see page 5.

Description

Part No.

Illustration Reference Number

Price, £ s. d.

For Dealer's Use Only, Old Part No.

Suitable for the Models indicated SERIES "R" - see page 5.

Description

Part No.

Illustration Reference Number

Price, £ s. d.

For Dealer's Use Only, Old Part No.

Suitable for the Models indicated SERIES "R" - see page 5.

Description

Part No.

Illustration Reference Number

Price, £ s. d.

For Dealer's Use Only, Old Part No.

Suitable for the Models indicated SERIES "R" - see page 5.

Description

Part No.

Illustration Reference Number

Price, £ s. d.

For Dealer's Use Only, Old Part No.

Suitable for the Models indicated SERIES "R" - see page 5.

Description

Part No.

Illustration Reference Number

Price, £ s. d.

For Dealer's Use Only, Old Part No.

Suitable for the Models indicated SERIES "R" - see page 5.

Description

Part No.

Illustration Reference Number

Price, £ s. d.

For Dealer's Use Only, Old Part No.

Suitable for the Models indicated SERIES "R" - see page 5.

Description

Part No.

Illustration Reference Number

Price, £ s. d.

For Dealer's Use Only, Old Part No.

Suitable for the Models indicated SERIES "R" - see page 5.

Description

Part No.

Illustration Reference Number

Price, £ s. d.

For Dealer's Use Only, Old Part No.

Suitable for the Models indicated SERIES "R" - see page 5.

Description

Part No.

Illustration Reference Number

Price, £ s. d.

For Dealer's Use Only, Old Part No.

Suitable for the Models indicated SERIES "R" - see page 5.

Description

Part No.

When ordering quote Part Number (not Illustration Number), Description and When ordering quote Part Number (not Illustration Number), Description and Model. For interchangeability of old part numbers see List for previous years. Model. For interchangeability of old part numbers see List for previous years.

Illustration Reference Number	Part No.	Description	Suitable for the Models indicated SERIES "R" see page 5.	Price, £ s. d.	For Dealer's Use Only, Old Part No.	Illustration Reference Number	Part No.	Description	Suitable for the Models indicated SERIES "R" see page 5.	Price, £ s. d.	For Dealer's Use Only, Old Part No.	
N.I.	ZB8230	MAGNETO FITTINGS—Continued. Distances Piece for Magneto Platform.	R2	4	K1410	N.I.	ZB8721	EXHAUST SYSTEM—Continued. Front Baffle Pipe.	R5, 12	2 9		
	ZB8240	Bolts for Magneto Platform, $\frac{1}{8} \times 3\frac{1}{2} \times 24$.	R2	7	K1411		ZA8740	Fish Tail.	R2, 4, 6, 8, 9	9 6		
	ZB8250	Link for Magneto Platform Bolt.	R2	10	K1409		ZB8781	Tail Pipe.	R5, 12	3 6		
98	ZA8400	Exhaust System. NOTE.—See instructions on page 5 referring to Chromium Plated Parts. Exhaust System complete with Exhaust Pipes, Silencer, etc. Exhaust System complete with Exhaust Pipes, Silencer, etc. Exhaust System complete with Exhaust Pipes, Silencer, etc. Exhaust System complete with Exhaust Pipes, Silencers, etc. Exhaust System complete with Exhaust Pipes, Silencer, etc. Exhaust System complete with Exhaust Pipes, Silencers, etc. Silencer only. Silencer only. Front Baffle Pipe.	R2	2 16 6		DO NOT quote Illustration Number when ordering.	ZB8931	Chainstay Clip for Silencer.	R2, 5, 12	2	F320	
	ZB8421		R4	2 12 6			ZB8931	Chainstay Clip for Silencer.	R12	3		H1244
	ZB8422		R5	2 5 0			ZB8931	Chainstay Clip for Silencer.	R12	3		
	ZB8461		R6, 8	5 5 0			ZB8931	Chainstay Clip for Silencer.	R12	3		
	ZB8541		R9	2 12 6			ZB8931	Chainstay Clip for Silencer.	R12	3		
	ZB8581		R12	4 10 0			ZB8931	Chainstay Clip for Silencer.	R12	3		
	ZA8500		R2, 4, 6, 8, 9	1 0 0			ZB8931	Chainstay Clip for Silencer.	R12	3		
	ZB8581		R5, 12	19 0			ZB8931	Chainstay Clip for Silencer.	R12	3		
	ZA8720		R2, 6, 8	2 9			ZB8931	Chainstay Clip for Silencer.	R12	3		
							ZB8931	Chainstay Clip for Silencer.	R12	3		
							ZB8931	Chainstay Clip for Silencer.	R12	3		
							ZB8931	Chainstay Clip for Silencer.	R12	3		

When ordering quote Part Number (not Illustration Number), Description and Model. For interchangeability of old part numbers see List for previous year.

Illustration Reference Number.	Part No.	Description	Suitable for the Models indicated SERIES "R" — see page 5.	Price, £ s. d.	For Dealer Use Only, Old Part No.
113	RA3140	EXHAUST SYSTEM—Continued. Pin for Small Exhaust Pipe Clip, $\frac{1}{8} \times \frac{1}{4} \times 20$.	R2	2	H537
N.I.	ZA6020	Nut for Small Exhaust Pipe Clip, $\frac{1}{8} \times 20 \times \frac{1}{4} \times \frac{1}{4}$.	R2	1	H320
114	ZA6040	Washer for Small Exhaust Pipe Clip, $\frac{1}{8}$ Single Spring.	R2	1	K299
115	ZB9561	Footrest Clip for Exhaust Pipe.	R5	1 9	
	ZA9610	Clip for Silencer.	All Models	1 9	
	ZA8840	Pin for Clip for Silencer, $\frac{1}{8} \times \frac{1}{4} \times 20$.	All Models	2	F320
N.I.	ZA6020	Nut for Clip for Silencer, $\frac{1}{8} \times 20 \times \frac{1}{4} \times \frac{1}{4}$.	All Models	1	H320
	ZA6040	Washer for Clip for Silencer, $\frac{1}{8}$ Single Spring.	All Models	1	H163

Illustration Reference Number.	Part No.	Description	Suitable for the Models indicated SERIES "R" — see page 5.	Price, £ s. d.	For Dealer Use Only, Old Part No.
	YB2	Gearbox, complete with Clutch and Footstarter.	R2	10 0 0	
	YB21	Gearbox, complete with Clutch and Footstarter.	R4, 6	9 0 0	
	YB22	Gearbox, complete with Clutch and Footstarter.	R8	10 0 0	
	YB23	Gearbox, complete with Clutch and Footstarter.	R9	9 15 0	
	YB61	Gearbox, complete with Clutch and Footstarter.	R5, 12	7 10 0	
	YB121	Gearbox Casing, with Cover, less Bearings.	R2	2 11 0	
	YB122	Gearbox Casing, with Cover, less Bearings.	R8, 9	2 11 0	
	YB141	Gearbox Casing, with Cover, less Bearings.	R4, 6	2 10 0	
	YB161	Gearbox Casing, with Cover, less Bearings.	R5, 12	2 1 0	
	YB181	Gearbox Casing, without Cover, and Bearings.	R2	1 16 0	
	YB182	Gearbox Casing, without Cover, and Bearings.	R8, 9	1 16 0	
	YB201	Gearbox Casing, without Cover, and Bearings.	R4, 6	1 15 0	
	YB221	Gearbox Casing, without Cover, and Bearings.	R5, 12	1 5 0	
	YB241	Gearbox Casing, with Cover, and Bearings.	R2	3 5 6	
	YB242	Gearbox Casing, with Cover, and Bearings.	R8, 9	3 5 6	
	YB261	Gearbox Casing, with Cover, and Bearings.	R4, 6	3 2 0	
	YB281	Gearbox Casing, with Cover, and Bearings.	R5, 12	2 11 0	
	YB301	Oil Retaining Washer for Main Bearings.	R2, 4, 6, 8, 9	2	
	YB302	(Not now used)	R5, 12	1	
	YB311	Gearbox Cover, with Bearings.	R2	1 0 0	
	YB331	Gearbox Cover, with Bearings.	R4, 6, 8, 9	1 0 0	
	YB351	Gearbox Cover, with Bearings.	R5, 12	1 0 0	
	YB361	Gearbox Cover, without Bearings.	R2	15 0	
	YB391	Gearbox Cover, without Bearings.	R4, 6, 8, 9	15 0	
	YB411	Gearbox Cover, without Bearings.	R5, 12	16 0	
	YB431	Paper Washer for Gearbox Cover.	R2, 4, 6, 8, 9	2	
	YB441	Paper Washer for Gearbox Cover.	R5, 12	1	

When ordering quote Part Number (not Illustration Number), Description and Model. For interchangeability of old part numbers see List for previous years. For interchangeability of old part numbers see List for previous years.

Illustration Reference Number	Part No.	Description	Suitable for the Models indicated SERIES "R" — see page 5.	Price, £ s. d.	For Dealer Use Only, Old Part No.	Illustration Reference Number	Part No.	Description	Suitable for the Models indicated SERIES "R" — see page 5.	Price, £ s. d.	For Dealer Use Only, Old Part No.
N.I.	WB780	Balls for Main Bearings, 1" (set 40).	R2, 4, 6, 8, 9	1/- set.	H608	N.I.	YB713	GEARBOX—Continued. Locking Pin for Thrust Washer, 5/8" x 1/2".	R5, 12	1	
407	YB481	Main Gearwheel Ball Bearings.	R5, 12	6 0		414	YB721	Main Axle Sliding Pinion, 20 Teeth.	R2, 4, 6, 8, 9	8 6	
408	YB471	Gearbox Cover Stud, 1/2" x 26 x 1 1/8" overall.	All Models	3		415	YB781	Main Axle Sliding Pinion, 19 Teeth.	R5, 12	7 0	
	YB473	Gearbox Cover Stud, 1/2" x 26 x 1 1/8" overall.	R5, 12	3		416	YB801	Main Axle Pinion, 14 Teeth.	R2, 4, 6, 8, 9	4 0	
	YB475	Gearbox Cover Stud, 1/2" x 26 x 1 1/8" overall.	R2	3		417	YB861	Main Axle Pinion, 13 Teeth.	R5, 12	3 6	
N.I.	YB481	Gearbox Foot Stud, 1/2" x 3 3/4" overall x 14 and 18.	R2	5			YB881	Layshaft complete with Gears.	R2, 8, 9	1 17 6	
	YB483	Gearbox Foot Stud, 1/2" x 2 3/4" overall x 14 and 18.	R5, 12	5		N.I.	YB901	Layshaft complete with Gears.	R4, 6	1 17 6	
	YB485	Gearbox Foot Stud, 1/2" x 20.	R4, 6, 8, 9	6			YB961	Layshaft complete with Gears.	R5, 12	1 9 6	
409	YB521	Nut for Gearbox Cover Stud, .270 x 26 x 1/8" overall.	R2, 4, 6, 8, 9	1			YB981	Layshaft Spindles only.	R2, 8, 9	12 6	
410	YB523	Nut for Gearbox Cover Stud, 1/2" x 28 x 1/8" overall.	R5, 12	2		418	YB991	Layshaft Spindles only.	R4, 6	12 6	
	YB524	Spring Washer for Gearbox Cover Stud, 270.	R2, 4, 6, 8, 9	1		419	YB1001	Layshaft Spindles only.	R5, 12	9 0	
	YB525	Spring Washer for Gearbox Cover Stud, 1/2".	R5, 12	1			YB1011	Layshaft Left Hand Bearing.	R2, 8, 9	4 7	
	YB530	Washer for Gearbox Stud, 1/2" Plain.	R2, 5, 12	1	H401		YB1021	Layshaft Left Hand Bearing.	R4, 6	2 6	
	WA3200	Washer for Gearbox Stud, 1/2" Plain.	R4, 6, 8, 9	1			YB1031	Layshaft Left Hand Bearing.	R5, 12	2 0	
	YB531	Gearbox Foot Stud Nut, 1/2" x 18 x 1/8" overall.	R2, 5, 12	2			YB1041	Low Gear Wheel, 28 Teeth.	R2, 4, 6, 8, 9	10 0	
	YB535	Spring Washer for Fixing Stud, 1/2".	R2, 5, 12	2			YB1061	Low Gear Wheel, 28 Teeth.	R5, 12	8 6	
N.I.	RB2780	Nut for Gearbox Stud, 1/2" x 20 x 1/8" x 1/8".	R4, 6, 8, 9	2			YB1101	Layshaft Sliding Pinion, 22 Teeth.	R2, 4, 6, 8, 9	10 0	
	YA540	Gearbox Adjusting Sleeve.	R2, 5, 12	10			YB1121	Layshaft Sliding Pinion, 23 Teeth.	R5, 12	7 6	
	YA560	Eyebolt for Adjusting Sleeve, 1/2" x 2 underhead x 16.	R2	1 9			YB1161	Layshaft Pinion, 18 Teeth.	R2, 8, 9	5 0	
	YA500	Eyebolt for Adjusting Sleeve, 1/2" x 1 1/2" underhead x 16.	R5, 12	1 9			YB1201	Layshaft Pinion, 18 Teeth.	R4, 6	5 0	
	YB565	Gearbox Adjusting Stud and Plate.	R4, 6, 8, 9	1 3			YB1221	Layshaft Pinion, 18 Teeth.	R5, 12	4 6	
	ZA5940	Nut for Gearbox Adjusting Stud, 1/2" x 20 x 1/8" x 1/8".	R4, 6, 8, 9	2			YB1261	Axle Sprocket, 18 Teeth.	R2, 8, 9	7 6	
411	YB601	Main Gearwheel, 24 Teeth	R2, 4, 6, 8, 9	16 0		427	YB1301	Axle Sprocket, 20 Teeth.	R4, 6	7 6	
412	YB681	Main Gearwheel, 23 Teeth	R5, 12	10 0			YB1305	Axle Sprocket, 20 Teeth.	R5	7 6	
413	YB703	Main Axle Thrust Washer.	R2, 4, 6, 8, 9	1 6		428	YB1321	Axle Sprocket, 18 Teeth.	R12	7 0	
	YB705	Main Axle Thrust Washer.	R5, 12	8			YB1325	Axle Sprocket Locking Plate.	All Models	4	
N.I.	YB711	Locking Pin for Thrust Washer, 1/2" x 1/2".	R2, 4, 6, 8, 9	1		429	YB1328	Axle Sprocket Locking Nut, 1/2" x 20 x .275 overall.	R2, 4, 6, 8, 9	8	

DO NOT quote Illustration Number when ordering.

When ordering quote Part Number (not Illustration Number), Description and Model. For interchangeability of old part numbers see List for previous years.

Illustration Reference Number	Part No.	Description	Suitable for the Models indicated SERIES "R" — see page 5.	Price, f. s. d.	Illustration Reference Number	Part No.	Description	Suitable for the Models indicated SERIES "R" — see page 5.	Price, f. s. d.	For Dealer's Use Only, Old Part No.
430	YB1331	GEARBOX—Continued. Axle Sprocket Locking Nut, 1 x 20 x 225 overall.	R5, 12	8	449	YB1671	Forked Chain Lever.	R5, 12	4 6	
431	YB1334	Screw for Locking Plate, 5/8 x 1/2 x 28 R.H.	All Models	1	450	YB1681	Stud for Forked Change Lever, 5/8 x 26hd. R.H.	R5, 12	6	
432	YB1337	Axle Sprocket Adjusting Washer, 1" Bore.	R5, 12	1	N.I.	YB1691	Pin for Forked Change Lever, 5/8 x 26hd. R.H.	R5, 12	4	
433	YB1341	Main Axle.	R2, 8	13 0	451	YB1701	Sliding Gear Fork Index Plunger.	R2, 4, 6, 8, 9	8	
	YB1361	Main Axle.	R4, 6, 9	13 0	N.I.	YB1711	Ball for Gear Control Joint.	R5, 12	2	
434	YB1381	Main Axle.	R5, 12	11 0	452	YB1721	Gear Indexing Plunger.	R5, 12	3	
435	YB1391	Main Axle Nut, 5/8 x 20 x 1/8.	R2, 4, 6, 8, 9	5	453	YB1731	Plunger Springs Screw, 1/4 x 18. R.H.	R2, 4, 6, 8, 9	3	
	YB1395	Main Axle Nut, 1/2 x 20 x 1/8.	R5, 12	5	454	YB1741	Plunger Spring.	R2, 4, 6, 8, 9	2	
N.I.	YB1403	Locking Washer for Main Axle Nut, 1/2".	R5, 12	1		YB1751	Plunger Spring.	R5, 12	1	
436	YB1411	Sliding Gear Fork.	R2, 4, 6, 8, 9	8 0	455	YB1761	Plunger Bush.	R5, 12	1 0	
437	YB1441	Sliding Gear Plate.	R5, 12	2 0	456	YB1771	Sliding Gear Plate.	R2, 4, 6, 8, 9	2 6	
438	YB1461	Rockingshaft Lever.	R2	3 6	N.I.	YB1781	Rockingshaft Locking Washer, 1" Bore.	R2, 4, 6, 8, 9	2	
	YB1481	Rockingshaft Lever.	R4, 6, 8, 9	3 6	457	YB1791	Gearbox Oil Plug (Filler).	R2, 4, 6, 8, 9	3	
439	YB1501	Gear Control Spindle Arm.	R5, 12	1 3	457	YB1792	Gearbox Oil Plug (Filler).	R5, 12	8	
440	YB1581	Rockingshaft Main Bush.	R2, 4, 6, 8, 9	2 0	N.I.	YB1795	Gearbox Oil Plug (Drain).	R2, 4, 6, 8, 9	8	
441	YB1591	Rockingshaft End Bush.	R2, 4, 6, 8, 9	1 6	458	YB1801	L.H. Distance Washers, 1" Bore.	R5, 12	1	
442	YB1601	Gear Control Spindle.	R5, 12	2 0	459	YB1805	R.H. or L.H. Cone for Main Bearing.	R2, 4, 6, 8, 9	2 6	
443	YB1605	Bolt for Gear Control Spindle, 5/8 x 26.	R5, 12	9	N.I.	YB1815	Left Hand Ball Cup.	R2, 4, 6, 8, 9	5 0	
444	YB1610	Washer for Gear Control Spindle, 1/2".	R5, 12	1	460	YB1819	Left Hand Dust Cap.	R2, 4, 6, 8, 9	3	
N.I.	YB1615	Locking Washer for Gear Control Spindle, 1/2".	R5, 12	1	N.I.	YB1825	Left Hand Ball Cup Adjusting Washer, 1 1/8" Bore.	R2, 4, 6, 8, 9	6d. doz.	
445	YB1619	Locknut for Gear Control Spindle, 5/8 x 26 x 1/8 overall.	R5, 12	1		YB1829	Ball Bearing Cup.	R2, 8, 9	3	
446	YB1621	Rockingshaft.	R2, 4, 6, 8, 9	1 3	461	YB1811	Mainshaft Right Hand Bearing.	R2, 4, 6, 8, 9	4 7	
445	YB1619	Locknut for Rockingshaft, 5/8 x 26 x 1/8 overall.	R2, 4, 6, 8, 9	1		YB1839	Mainshaft Right Hand Bronze Bush	R5, 12	2 0	
447	YB1641	Sliding Gear Fork Index Plate.	R2, 4, 6, 8, 9	2 0	N.I.	YB1841	Main Axle Adjuster Screws with head, 1/2 x 1/8 x 26.	R5, 12	3	
N.I.	YB1651	Rivets for Sliding Gear Fork Index.	R2, 4, 6, 8, 9	6 doz.		YB1843	Washer for Main Axle Adjuster Screw.	R5, 12	6d. doz.	
448	YB1661	Short Gear Lever.	R5, 12	2 6	462	YB1845	Right Hand Adjusting Washers, 1" Bore	R2, 4, 6, 8, 9	6d. doz.	
N.I.	YB1665	Connection for Short Gear Lever, 1/2 x 26.	R5, 12	10		YB1849	Right Hand Adjusting Washers, 1 1/8" Bore.	R2, 4, 6, 8, 9	6d. doz.	

DO NOT quote Illustration Number when ordering.

When ordering quote Part Number (not Illustration Number), Description and Model. For interchangeability of old part numbers see List for previous years. When ordering quote Part Number (not Illustration Number), Description and Model. For interchangeability of old part numbers see List for previous years.

Illustration Reference Number	Part No.	Description.	Suitable for the Models indicated SERIES "R"—see page 5.	Price. £ s. d.	For Dealer's Use Only. Old Part Number.	Illustration Reference Number.	Part No.	Description.	Suitable for the Models indicated SERIES "R"—see page 5.	Price. £ s. d.	For Dealer's Use Only. Old Part No.
N.I.	YB2302	CLUTCH—Continued. Cork Inserts (Small) 23 per Plate.	All Models	4d. doz.			MA500	CLUTCH—Continued. Spring Washer for Pin for Clutch Stop Bracket, $\frac{1}{4}$ " Single Spring.	R4, 6, 8, 9	1	F155
497	YB2311	Rubbers with $\frac{1}{4}$ " Holes (for rebound) (each)	R2, 8	2			YB2491	Clutch Cable Adjusting Pin.	All Models	0	
498	YB2312	Rubbers with $\frac{1}{4}$ " Holes (for rebound) (each)	R4, 5, 6, 9, 12	2			YB2495	Knurled Nut for Clutch Cable Adjusting Pin.	All Models	1	
499	YB2321	Rubbers Solid (for Drive) (each)	R2, 8	2							
500	YB2322	Rubbers Solid (for Drive) (each)	R4, 5, 6, 9, 12	2							
501	YB2323	Clutch Friction Rubbers (4 used) (each)	All Models	2							
N.I.	ZB1281	Rollers, $\frac{1}{4}$ " x $\frac{1}{4}$ ".	All Models	2							
N.I.	WB780	Balls $\frac{1}{4}$ " (set 18).	R2, 4, 6, 8, 9	6d. set.	H608						
N.I.	WB780	Balls $\frac{1}{4}$ " (set 18).	R5, 12	6d. set.	H608						
502	YB2381	Clutch Rod, 6 $\frac{1}{2}$ " overall length.	R2, 8, 9	10							
502	YB2381	Clutch Rod, 7 $\frac{1}{2}$ " overall length.	R4, 6	10							
502	YB2401	Clutch Rod, 7" overall length.	R5, 12	10							
503	YB2405	Clutch Thrust Pin, 1 $\frac{1}{2}$ " overall length.	R2, 8	9							
503	YB2411	Clutch Thrust Pin, $\frac{1}{2}$ " overall length.	R4, 6, 9	9							
504	YB2415	Clutch Thrust Pin, 1 $\frac{1}{2}$ " overall length.	R5, 12	9							
505	YB2421	Clutch Operating Pin, 1 $\frac{1}{2}$ " overall length.	R2, 4, 6, 8, 9	3							
506	YB2431	Clutch Operating Fulcrum.	R2, 4, 6, 8, 9	1 0			YB2691	Footstarter Axle and Bush.	R2, 4, 6, 8, 9	12 0	
507	YB2435	Clutch Operating Fulcrum Pin, $\frac{1}{4}$ " x 1 $\frac{1}{2}$ ".	All Models	3			YB2711	Footstarter Axle and Bush.	R5, 12	11 0	
509	YB2443	Clutch Operating Lever.	All Models	4 0	H501						
511	YB2451	Clutch Nut, $\frac{1}{4}$ " x 20.	R2, 4, 6, 8, 9	3 0			YB2741	Footstarter Pawl.	R2, 4, 6, 8, 9	1 3	
512	YB2455	Clutch Operating Fulcrum Locknut, $\frac{1}{4}$ " x 20 x $\frac{1}{4}$ " overall.	R2, 4, 6, 8, 9	1			YB2751	Footstarter Pawl.	R5, 12	1 3	
513	YB2459	Clutch Operating Lever Adjusting Screw, $\frac{1}{4}$ " x 26 x 1.	R2, 4, 6, 8, 9	3	H508		YB2761	Pin for Footstarter Pawl.	R2, 4, 6, 8, 9	3	
513	YB2463	Clutch Operating Lever Adjusting Screw, $\frac{1}{4}$ " x 26 x $\frac{1}{4}$ ".	R5, 12	1			YB2771	Pin for Footstarter Pawl.	R5, 12	3	
N.I.	YB2467	Split Pin, $\frac{1}{8}$ ".	All Models	1			YB2781	Spring for Footstarter Pawl.	R2, 4, 6, 8, 9	1	
514	YB2163	Locknut for Adjusting Screw, $\frac{1}{4}$ " x 26 x $\frac{1}{8}$ " x $\frac{1}{8}$ ".	All Models	1			YB2791	Spring for Footstarter Pawl.	R5, 12	1	
N.I.	YB2481	Clutch Stop Bracket.	R4, 6, 8, 9	2 0			YB2801	Plunger for Footstarter Pawl Spring.	R2, 4, 6, 8, 9	3	
N.I.	Z44450	Pin for Clutch Stop Bracket, "O" BA x 1 $\frac{1}{8}$ " underhead.	R4, 6, 8, 9	3			YB2811	Plunger for Footstarter Pawl Spring.	R5, 12	3	

DO NOT quote Illustration Number when ordering.

Footstarter.

NOTE.—See instructions on page 5 referring to Chromium Plated Parts.

NOTE.—Footstarter Axle and Bush are not supplied separately, but new bush can be fitted to old axle at a cost of 4/-.

When ordering quote Part Number (not Illustration Number), Description and Model. For interchangeability of old part numbers see List for previous year.

When ordering quote Part Number (not Illustration Number), Description and Model. For interchangeability of old part numbers see List for previous years.

Illustration Reference Number.	Part No.	Description.	Suitable for the Models indicated SERIES "R" — see page 5.	Price. £ s. d.	For Dealer's Use Only. Old Part No.
FOOTSTARTER—Continued.					
524	YB2321	Bush for Footstarter Axle.	R2, 4, 6, 8, 9	2 0	
525	YB2331	Bush for Footstarter Axle.	R5, 12	1 6	
526	YB2341	Footstarter Cam.	R2, 4, 6, 8, 9	3	
	YB2351	Footstarter Cam.	R5, 12	3	
N.I.	YB2361	Rivet for Footstarter Cam.	R2, 4, 6, 8, 9	1	
	YB2371	Rivet for Footstarter Cam.	R5, 12	1	
527	YB2381	Footstarter Stop Piece.	R2, 4, 6, 8, 9	4	
	YB2391	Footstarter Stop Piece.	R5, 12	3	
528	YB2501	Footstarter Axle Distance Sleeve.	R5, 12	3	
529	YB2511	Footstarter Crank.	R2, 4, 6, 8, 9	11 0	
530	YB2521	Footstarter Crank.	R5, 12	11 0	
531	YB2531	Cotter Pin for Footstarter Crank.	All Models	2	
532	YB521	Nut for Cotter Pin, .270 × 28 × $\frac{5}{16}$ overall.	All Models	1	
533	YB2941	Washer for Cotter Pin.	All Models	1	
534	YB3121	Return Spring for Footstarter.	R2, 4, 6, 8, 9	1 0	
535	YB3131	Return Spring for Footstarter	R5, 12	1 0	
536	YB3141	Cover for Footstarter Return Spring.	R2, 4, 6, 8, 9	1 0	
537	YB3151	Cover for Footstarter Return Spring.	R5, 12	9	
DO NOT quote Illustration Number when ordering.					
Change Speed Parts.					
NOTE.—See instructions on page 5 referring to Chronosium Plated Parts.					
	YB4001	Change Speed Quadrant only.	R2	4 6	
	YB4002	Change Speed Quadrant only.	R4, 6, 8, 9	4 0	
	YB4021	Change Speed Quadrant only.	R5, 12	3 6	
	MA840	Pin for fixing Change Speed Quadrant to Tank, $\frac{3}{8} \times \frac{3}{8} \times 24$.	All Models	2	
	MA900	Nut for fixing Change Speed Quadrant to Tank, $\frac{3}{8} \times 24 \times \frac{3}{8} \times \frac{3}{8}$	All Models	2	
	YB4081	Change Speed Lever, with Knob.	R4, 6, 8, 9	14 3	
	YB4082	Change Speed Lever, with Knob.	R5, 12	14 3	
	YB4101	Change Speed Lever, with Knob.	R2	14 3	
	YB4110	Knob only, for Change Speed Lever.	All Models	10	H558
	MA500	Washer for Knob for Change Speed Lever, $\frac{3}{4}$ Single Spring.	All Models	1	F155
	YA4160	Fulcrum Pin for Change Speed Lever.	All Models	5	H562
	YB4180	Washer for Fulcrum Pin for Change Speed Lever, $\frac{3}{4}$ Double Spring.	All Models	1	H565
	YA4200	Locknut for Fulcrum Pin for Change Speed Lever, $\frac{3}{8} \times 20 \times \frac{1}{4} \times \frac{1}{8}$.	All Models	2	H564
	YB4221	Change Speed Rod only.	R2	2 9	
	YB4231	Change Speed Rod only.	R4, 6	2 3	
	YB4232	Change Speed Rod only.	R8, 9	2 9	
	YB4261	Change Speed Rod only.	R5, 12	2 3	
	YA4280	Yoke End for Change Speed Rod.	R2, 4, 6, 8, 9	1 0	
	YA4300	Yoke End for Change Speed Rod.	R5, 12	10	
	YA4320	Pin for Yoke End for Change Speed Rod.	All Models	2	
	YA4290	Cotter for Pin for Yoke End for Change Speed Rod.	All Models	1	
	YA4360	Locknut for Change Speed Rod, $\frac{3}{8} \times 20 \times \frac{3}{8} \times \frac{3}{8}$ (Plated).	R2, 4, 6, 8, 9	2	
	YB2163	Locknut for Change Speed Rod, $\frac{3}{8} \times 26 \times \frac{3}{8} \times \frac{3}{8}$ (Plated).	R5, 12	2	

When ordering quote Part Number (not Illustration Number), Description and Model. For interchangeability of old part numbers see List for previous years.

Illustration Reference Number	Part No.	Description	Suitable for the Models indicated SERIES "R" - see page 5.	Price, £ s. d.	For Dealer's Use Only Old Part No.
		Front Wheel.			
		<i>NOTE.—In some cases the size of the Rim Tyre and Spokes fitted to Models R4 and R6 varies for Home and Export Machines. Care must be taken when ordering to state the correct details for the parts required.</i>			
WB2		Spare Wheel complete with Centre Spindle and Dust Cap, less Tyre and Brackets	R2	2 10 0	
WA20		Hub Dust Cap for Spare Wheel.	R2	3 9	
WB41		Front Wheel with expanding Brake, less Cable, Control Lever, Tyre and Tube, 26 x 3.50 Tyre.	R2	5 3 6	
WB81		Front Wheel, with Expanding Brake, less Cable, Control Lever, Tyre and Tube, 26 x 3.50 Tyre.	R8, 9	4 8 3	
WB81		Front Wheel, with Expanding Brake, less Cable, Control Lever, Tyre and Tube, 26 x 3.25 Tyre.	R4, 6 (Export)	4 3 3	
WB101		Front Wheel, with Expanding Brake, less Cable, Control Lever, Tyre and Tube, 26 x 3 Tyre.	R4, 6 (Home)	4 3 3	
WB121		Front Wheel, with Expanding Brake, less Cable, Control Lever, Tyre and Tube, 25 x 3 Tyre.	R5, 12	4 3 3	
WB140		Wheel Rim only, 19 x 2 1/2 x 40 (as Rear).	R2, 8, 9	9 3	K628
WB140		Wheel Rim only, 19 x 2 1/2 x 40 (as Rear).	R4, 6 (Export)	9 3	HSS3-2
WB160		Wheel Rim only, 20 x 2 1/2 x 40 (as Rear).	R4, 6 (Home)	9 3	HSS3-1
WB180		Wheel Rim only, 19 x 2 1/2 x 40 (as Rear).	R5, 12	9 3	F241
WA200		Wheel Spokes (Short) (Single Spoke 24.) (as Rear) set 20, 8 1/2 x 8/10G Butted.	R2	2 3	
WB221		Wheel Spokes (Short) (Single Spoke 24.) set 20, 6 1/2 x 11G.	R4, 6 (Export)	1 9	
WB241		Wheel Spokes (Short) (Single Spoke 24.) set 20, 6 1/2 x 11G.	R4, 6 (Home)	1 9	
WB251		Wheel Spokes (Short) (Single Spoke 24.) set 20, 6 1/2 x 11G.	R8, 9	1 9	
WA280		Wheel Spokes (Short) (Single Spoke 24.) set 20, 8 1/2 x 9G.	R5, 12	1 9	
WB301		Wheel Spokes (Long) (Single Spoke 24.) (as Rear) set 20, 8 1/2 x 10G Butted.	R2	2 3	
WB302		Wheel Spokes (Long) (Single Spoke 24.) (as Rear) set 20, 8 1/2 x 9G.	R8, 9	1 9	
WB321		Wheel Spokes (Long) (Single Spoke 24.) set 20, 8 1/2 x 11G.	R4, 6 (Export)	1 9	
WB321		Wheel Spokes (Long) (Single Spoke 24.) set 20, 8 1/2 x 11G.	R5, 12	1 9	
WB322		Wheel Spokes (Long) (Single Spoke 24.) set 20, 8 1/2 x 11G.	R4, 6 (Home)	1 9	
WB359		Nipples for Spokes (Single Nipple 14.) (as Rear) set 40, 9G.	R8, 9	2 0	

DO NOT quote Illustration Number when ordering.

N.I.

When ordering quote Part Number (not Illustration Number), Description and Model. For interchangeability of old part numbers see List for previous years.

Illustration Reference Number	Part No.	Description	Suitable for the Models indicated SERIES "R" - see page 5.	Price, £ s. d.	For Dealer's Use Only Old Part No.
		FRONT WHEEL—Continued.			
	WA360	Nipples for Spokes (Single Nipple 14.) set 40, 10G (as Rear)	R2	2 0	
	WA380	Nipples for Spokes (Single Nipple 14.) set 40, 11G (as Rear)	R4, 5, 6, 12	2 0	
		<i>NOTE.—When ordering Wheels, Rims, Spokes or nipples, the size of Rim and size and type of Tyre fitted must be stated always.</i>			
	WB401	Hub complete, less Brake Parts and Solid Spindle (as Rear)	R2	2 10 0	
	WB421	Hub complete, less Brake Parts and Solid Spindle.	R4, 6	2 12 6	
	WB441	Hub complete, less Brake Parts and Solid Spindle.	R8, 9	2 13 6	
	WB461	Hub complete, less Brake Parts and Solid Spindle.	R5, 12	2 10 0	
	WB481	Hub Shell only (as Rear).	R2	1 6 3	
	WB501	Hub Shell only.	R4, 6	1 6 3	
	WB521	Hub Shell only.	R8, 9	1 6 3	
	WB541	Hub Shell only.	R5, 12	1 6 3	
	WB641	Front Hub Bearing Adjusting Ring (as Rear)	R2, 8, 9	1 6	
	WB661	Front Hub Bearing Adjusting Ring (as Rear)	R4, 5, 6, 12	1 6	
	WB681	Lockring for Front Hub Adjusting Ring (as Rear)	R2, 8, 9	1 3	
	WB701	Lockring for Front Hub Adjusting Ring (as Rear)	R4, 5, 6, 12	1 3	
	WB721	Felt Washer for Lockring (as Rear).	R2, 8, 9	2	
	WB721	Felt Washer for Fixed and Adjustable Bearings (as Rear)	R2, 8, 9	2	
	WB741	Felt Washer for Lockring (as Rear).	R4, 5, 6, 12	2	
	WB741	Felt Washer for Fixed and Adjustable Bearings (as Rear)	R4, 5, 6, 12	2	
	WB761	Front Hub Spring Ring (as Rear).	R2, 8, 9	2	
	WB762	Felt Washer Cup (as Rear).	R2, 8, 9	3	
	WB763	Felt Washer Retaining Disc (as Rear) (3 used).	R2, 8, 9	6	
	WB764	Spacing Washer for Retaining Disc (as Rear)	R2, 8, 9	2	
	WB781	Front Hub Spring Ring (as Rear).	R4, 5, 6, 12	2	
	WB782	Felt Washer Cup (as Rear).	R4, 5, 6, 12	3	
	WB783	Felt Washer Retaining Disc (as Rear) (3 used).	R4, 5, 6, 12	6	

DO NOT quote Illustration Number when ordering.

When ordering quote Part Number (not Illustration Number), Description and Model. For interchangeability of old part numbers see List for previous years.

Illustration Reference Number	Part No.	Description	Suitable for the Models indicated SERIES "R" see page 5.	Price, £ s. d.	For Dealer's Use Only. Old Part No.
168	WB784	Spacing Washer for Retaining Disc (as Rear)	R4, 5, 6, 12	2	
	WB801	Front Hub Hollow Spindle, complete with Rollers, Cages and Races (as Rear).	R2	17 6	
	WB802	Front Hub Hollow Spindle, complete with Rollers, Cages and Races.	R8, 9	17 6	
	WB921	Front Hub Hollow Spindle, complete with Rollers, Cages and Races.	R4, 5, 6, 12	15 0	
170	WB860	Centre Spindle for Hollow Spindle.	R2	2 6	K685
	WB880	Centre Spindle for Hollow Spindle.	R4, 5, 6, 12	2 6	H612-1
	WB900	Centre Spindle for Hollow Spindle.	R8, 9	2 6	G202-2
	WA1020	Washer for Centre Spindle for Hollow Spindle, $\frac{3}{8}$ " Plain.	R8, 9	1	G155-1
N.I.	WB1030	Washer for Centre Spindle for Hollow Spindle, $\frac{3}{8}$ " Plain.	R4, 5, 6, 12	1	H401
	WA1060	Nut for Centre Spindle, $\frac{3}{8}$ " x $20 \times \frac{1}{8}$ x $\frac{1}{4}$.	R4, 5, 6, 12	2	
	WA1080	Nut for Centre Spindle, $\frac{1}{2}$ " x $24 \times \frac{1}{4}$ x $\frac{1}{4}$.	R8, 9	2	
	WB1100	Front Wheel Distance Piece (as Rear).	R2	3	K683

Front Brake.

NOTE.—See instructions on page 5 referring to Chromium Plated Parts.

196	WB1121	Front Wheel Brake Shoes, with Linings and Springs (as R4, 6 Rear)	R2, 4, 6, 8, 9	11 6	
	WA1140	Front Wheel Brake Shoes, with Linings and Springs (as Rear)	R5, 12	8 0	
	WB1161	Top Front Brake Shoe, with Linings (as R4, 6 Rear)	R2, 4, 6, 8, 9	5 9	
	WA1180	Top Front Brake Shoe, with Linings (as Rear)	R4, 12	4 0	
198	WB1201	Bottom Front Brake Shoe, with Linings (as R4, 6 Rear)	R2, 4, 6, 8, 9	5 9	

When ordering quote Part Number (not Illustration Number), Description and Model. For interchangeability of old part numbers see List for previous years.

Illustration Reference Number	Part No.	Description	Suitable for the Models indicated SERIES "R" see page 5.	Price, £ s. d.	For Dealer's Use Only. Old Part No.
198	WA1220	Bottom Front Brake Shoe, with Linings (as Rear)	R5, 12	4 0	
	WB1241	Front Brake Linings, with Rivets, (as R4, 6 Rear) (per pair)	R2, 4, 6, 8, 9	4 0	
	WA1260	Front Brake Linings, with Rivets, (as Rear) (per pair)	R5, 12	3 3	
	WA1280	Rivets only for Brake Linings (as Rear) (set of 8)	R2, 4, 6, 8, 9	4	
	WA1281	Rivets only for Brake Linings (as Rear) (set of 8)	R5, 12	4	
	WA1300	Springs for Front Brake Shoes (as R4, 5, 6, 12 Rear) (each)	All Models	2	H650
	WB1321	Anchor Plate for Front Brake.	R2	12 9	
	WB1341	Anchor Plate for Front Brake.	R4, 6	12 0	
	WB1361	Anchor Plate for Front Brake.	R8, 9	13 3	
	WA1380	Anchor Plate for Front Brake.	R5, 12	10 6	
	WB1400	Bolt for Anchor Plate for Front Brake, $\frac{3}{8}$ " x $1 \frac{1}{2}$ x 26 .	R5, 12	4	F277
	WB1421	Bolt for Anchor Plate for Front Brake, $\frac{3}{8}$ " x $1 \frac{1}{2}$ x 20 .	R2, 4, 6, 8, 9	4	
	WB1440	Locknut for Front Anchor Plate, $\frac{3}{8}$ " x $24 \times \frac{1}{2}$ x 1 .	R2	3	K696
	WA1060	Locknut for Front Anchor Plate, $\frac{3}{8}$ " x $20 \times \frac{1}{2}$ x $\frac{1}{4}$.	R4, 5, 6, 12	2	
	WA1500	Locknut for Front Anchor Plate, $\frac{3}{8}$ " x $24 \times \frac{1}{2}$ x $\frac{1}{4}$.	R8, 9	3	
	ZA5940	Locknut for Front Anchor Plate, $\frac{3}{8}$ " x $20 \times \frac{1}{2}$ x $\frac{1}{4}$.	R2, 4, 6, 8, 9	3	
WA1520	Washer for Front Anchor Plate Bolt, $\frac{3}{8}$ " Single Spring.	R5, 12	1		
WA3200	Washer for Front Anchor Plate Bolt, $\frac{3}{8}$ " Plain.	R2, 4, 6, 8, 9	1		
WB1541	Front Hub Brake Drum, with Centre.	R2	16 0		
WB1560	Front Hub Brake Drum Centre only (as Rear)	R2	1 9	K686	
WA1580	Pins for retaining Brake Drum Centre, $\frac{3}{8}$ " x $1 \frac{1}{2}$ x 24 Cheese Head (as Rear)	R2	1		
WB1600	Front Dummy Spindle only	R2	2 3	K695	
WB1610	Washer for Front Dummy Spindle, $\frac{1}{2}$ " Plain.	R2	1		
WB1620	Locknut for Front Spindle (Blind), $\frac{1}{2}$ " x $24 \times 1 \frac{1}{2}$ x $\frac{1}{4}$.	R2	7	K697	
ZB3760	Woodruff Key for Front Dummy Spindle, (No. 3 Small).	R2	2	H202	
WB1720	Front Brake Expander Spindle, $\frac{3}{8}$ " x $1 \frac{1}{2}$ x 20 (as Rear)	R5, 12	3 3	H653	

DO NOT quote Illustration Number when ordering.

N.I.

203

When ordering quote Part Number (not Illustration Number), Description and Model. For interchangeability of old part numbers see List for previous years.

Illustration Reference Number	Part No.	Description	Suitable for the Models indicated SERIES "R" see page 5.	Price, £ s. d.	For Dealer's Use Only Old Part No.
203	WB1721	FRONT BRAKE—Continued. Front Brake Expander Spindle, $\frac{1}{8} \times 1 \frac{1}{4} \times 20$ (as R4, 6 Rear)	R2, 4, 6, 8, 9	3 3	
N.I.	ZA6830	Washer for Front Brake Expander Spindle, $\frac{1}{8} \times 20 \times \frac{1}{4} \times \frac{1}{4}$, Plain.	All Models	1	
	ZA6920	Nut for Front Brake Expander Spindle, $\frac{1}{8} \times 20 \times \frac{1}{4} \times \frac{1}{4}$.	All Models	1	H329
204	WA1740	Front Brake Expander Lever.	R5, 12	2 0	
N.I.	WB1741	Front Brake Expander Lever.	R2, 4, 6, 8, 9	2 0	
	ZB6900	Grease Nipple for Expander Lever.	All Models	3	H189
205	WB1800	Front Brake Driving Stud.	R2	4	K691
173	WB1921	Front Hub Sleeve Bolt (as Rear).	R2	2 9	K657
343	WA1910	Front Brake Rod.	R5, 12	5	
344	WA1940	Front Brake Rod Yoke End.	R5, 12	10	
	WB1941	Front Brake Rod Yoke End.	R2, 4, 6, 8, 9	10	
N.I.	YA4320	Pin for Front Brake Rod Yoke End.	R5, 12	2	
	WAC000	Adjusting Nut for Front Brake Rod.	R5, 12,	1 7	
346	WA2020	Locknut for Front Brake Rod.	R5, 12	9	
	WA2960	Plunger for Front Brake Rod.	R5, 12	1 0	
347	WA2080	Spring Box for Front Brake Rod.	R5, 12	1 0	
N.I.	WA2100	Spring only for Front Brake Rod.	R5, 12	2	
348	WA2120	Cable Adjuster.	R5, 12	4†	
	WB2121	Cable Adjuster.	R2, 4, 6, 8, 9	1 0†	
N.I.	WB2141	Knurled Locking Nut for Cable Adjuster.	R2, 4, 6, 8, 9	4†	
	WA2145	Locknut for Cable Adjuster.	R5, 12	1†	
N.I.	WA2160	Guide for Cable Adjuster, $\frac{1}{4} \times 26 \times \frac{1}{4} \times \frac{1}{4}$.	R5, 12	3	

DO NOT quote Illustration Number when ordering.

When ordering quote Part Number (not Illustration Number), Description and Model. For interchangeability of old part numbers see List for previous years.

Illustration Reference Number	Part No.	Description	Suitable for the Models indicated SERIES "R" see page 5.	Price, £ s. d.	For Dealer's Use Only Old Part No.
Rear Wheel.					
NOTE.—In some cases the size of the Rim Tyre and Spokes fitted to Models R4 and R6 varies for Home and Export Machines. Cars must be taken when ordering to state the correct details for the parts required.					
	WB2181	Rear Wheel complete, less Sprocket and Tyre. 26×3.50 Tyre.	R2	2 14 0	
	WB2201	Rear Wheel complete, less Sprocket and Tyre. 26×3.25 Tyre.	R4, 6 (Export)	2 14 0	
	WB2221	Rear Wheel complete, less Sprocket and Tyre. 26×3 Tyre.	R4, 6 (Home)	2 14 0	
	WB2241	Rear Wheel complete, less Sprocket and Tyre. 25×3 Tyre.	R5, 12	2 15 6	
	WB2261	Rear Wheel complete, less Sprocket and Tyre. 26×3.50 Tyre.	R8, 9	2 14 0	
	WB140	Wheel Rim only (as front) $19 \times 2 \frac{1}{2} \times 40$.	R2, 8, 9	9 3	K625
	WB140	Wheel Rim only (as front) $19 \times 2 \frac{1}{2} \times 40$.	R4, 6, (Export)	9 3	H585-2
	WB160	Wheel Rim only (as front) $20 \times 2 \frac{1}{2} \times 40$.	R4, 6 (Home)	9 3	H585-1
	WB160	Wheel Rim only (as front) $19 \times 2 \frac{1}{2} \times 40$.	R5, 12	9 3	F241
N.I.	WA200	Wheel Spokes (Short) (Single Spoke 2d.) set $20 \frac{1}{2} \times 8 \frac{1}{2} \times 10G$ Butted (as front).	R2	2 3	
	WB2311	Wheel Spokes (Short) (Single Spoke 2d.) set $20 \frac{1}{2} \times 8 \frac{1}{2} \times 9G$.	R8, 9	1 9	
	WA2320	Wheel Spokes (Single Spoke 2d.) set $40 \frac{1}{2} \times 10G$.	R4, 6 (Export)	3 6	
	WA2320	Wheel Spokes (Single Spoke 2d.) set $40 \frac{1}{2} \times 10G$.	R5, 12	3 6	
	WA2340	Wheel Spokes (Single Spoke 2d.) set $40 \frac{1}{2} \times 10G$.	R4, 6 (Home)	3 6	
	WB301	Wheel Spokes (Long) (Single Spoke 2d.) set $20 \frac{1}{2} \times 8 \frac{1}{2} \times 10G$ Butted (as front).	R2	2 3	
	WB302	Wheel Spokes (Long) (Single Spoke 2d.) set $20 \frac{1}{2} \times 8 \frac{1}{2} \times 9G$ (as front).	R8, 9	1 9	
	WB359	Nipples for Spokes (Single Nipple 1d.) set $40 \frac{1}{2} \times 9G$ (as front).	R6, 9	2 0	
	WA360	Nipples for Spokes (Single Nipple 1d.) set $40 \frac{1}{2} \times 10G$ (as front).	R2	2 0	
	WA380	Nipples for Spokes (Single Nipple 1d.) set $40 \frac{1}{2} \times 11G$ (as front).	R4, 5, 6, 12	2 0	
NOTE.—When ordering Wheels, Rims, Spokes or Nipples, the size of Rim, and size and type of Tyre fitted must be stated always.					
	WB401	Hub complete, less Brake Parts and Solid Spindle (as R2 front).	R2, 8, 9	2 10 0	
	WB2361	Hub complete, less Brake Parts and Solid Spindle.	R4, 6	2 14 0	
	WB2461	Hub complete, less Brake Parts and Solid Spindle.	R5, 12	2 10 0	

When ordering quote Part Number (not Illustration Number), Description and Model. For interchangeability of old part numbers see List for previous years.

Illustration Reference Number	Part No.	Description	Suitable for the Models indicated SERIES "R" - see page 5.	Price, £ s. d.	For Dealer Use Only Old Part No.
160	WB481	REAR WHEEL—Continued. Hub Shell only (as R2 front).	R2, 8, 9	1 6 3	K653
	WB4391	Hub Shell only.	R4, 5, 6, 12	1 0 3	
162	WB641	Rear Hub Bearing Adjusting Ring (as front)	R2, 8, 9	1 6	H740
	WB661	Rear Hub Bearing Adjusting Ring (as front)	R4, 5, 6, 12	1 6	
163	WB681	Lockring for Rear Hub Adjusting Ring (as front).	R2, 8, 9	1 3	K655
	WB701	Lockring for Rear Hub Adjusting Ring (as front).	R4, 5, 6, 12	1 3	
164	WB721	Felt Washer for Lockring (as front).	R2, 8, 9	2	K655
	WB721	Felt Washer for Fixed and Adjustable Bearings (as front).	R2, 8, 9	2	
165	WB741	Felt Washer for Lockring (as front).	R4, 5, 6, 12	2	K655
	WB741	Felt Washer for Fixed and Adjustable Bearings (as front)	R4, 5, 6, 12	2	
166	WB761	Rear Hub Spring Ring (as front).	R2, 8, 9	2	K655
	WB762	Felt Washer Cup (as front).	R2, 8, 9	3	
167	WB763	Felt Washer Retaining Disc (as front) (Small Hole) (2 used).	R2, 8, 9	6	K655
	WB764	Spacing Washer for Retaining Disc (as front).	R2, 8, 9	2	
168	WB781	Felt Washer Retaining Ring (Large Hole) (1 used).	R4, 5, 6, 12	2	K655
	WB782	Rear Hub Spring Ring (as front).	R4, 5, 6, 12	3	
169	WB783	Felt Washer Retaining Disc (as front) (Small Hole) (2 used).	R4, 5, 6, 12	6	K655
	WB784	Spacing Washer for Retaining Disc (as front).	R4, 5, 6, 12	2	
170	WB785	Felt Washer Retaining Ring (Large Hole) (1 used).	R4, 5, 6, 12	6	K655
	WB801	Rear Hub Hollow Spindle, complete with Rollers, Cages and Races, (as R2 Front) (1 used).	R2, 8, 9	17 6	
170	WB2399	Rear Hub Hollow Spindle, complete with Rollers, Cages and Races. <i>NOTE.—Hollow Spindles can only be supplied complete with Rollers, Cages and Races.</i>	R4, 5, 6, 12	15 0	K655
	WB2400	Centre Spindle for Hollow Spindle.	R2, 8, 9	2 6	
170	WB2402	Centre Spindle for Hollow Spindle.	R4, 6	2 6	H696
	WB2406	Centre Spindle for Hollow Spindle.	R5, 12	3 6	

When ordering quote Part Number (not Illustration Number), Description and Model. For interchangeability of old part numbers see List for previous years.

Illustration Reference Number	Part No.	Description	Suitable for the Models indicated SERIES "R" - see page 5.	Price, £ s. d.	For Dealer Use Only Old Part No.
172	WB1100	REAR WHEEL—Continued. Rear Wheel Distance Piece (as front) (Short).	R2, 8, 9	3	K653
	WB2415	Rear Wheel Distance Piece (Outside Shaped).	R2, 8, 9	4	
172	WB2421	Rear Wheel Distance Piece.	R4, 6	3	H740
	WB2426	Rear Wheel Distance Piece.	R5, 12	3	
173	WB1821	Hub Sleeve Bolt (as front).	R2, 8, 9	2 9	K655
	WB2436	Hub Sleeve Bolt.	R4, 6	2 3	

Rear Brake.

NOTE.—See instructions on page 5 referring to Chromium Plated Parts.

Part No.	Description	Suitable for the Models indicated SERIES "R" - see page 5.	Price, £ s. d.	For Dealer Use Only Old Part No.
WB2441	Rear Brake Drum Sprocket, with Centre fitted.	R2, 8, 9	1 16 9	K655
WB2451	Rear Brake Drum Sprocket, with Centre fitted.	R4, 6	1 11 3	
WB2463	Rear Brake Drum Sprocket.	R5, 12	1 4 3	F510
WB2465	Plain Driving Stud.	R2, 8, 9	2	K694
WB2470	Plain Driving Stud.	R4, 6	2	H710
WB2475	Screwed Driving Stud.	R2, 8, 9	4	K727
WB2485	Screwed Driving Stud.	R4, 6	4	H711
WB2495	Screwed Driving Bolt.	R5, 12	4	F525
YA4360	Nut for Screwed Driving Bolt, 1/8" x 20 x 3/8" x 1/2".	R5, 12	1	F76
WB1560	Rear Brake Drum Centre only (as R2 front).	R2, 8, 9	1 0	K689
WB2590	Rear Brake Drum Centre only.	R4, 6	1 6	H708-1

DO NOT quote Illustration Number when ordering.

When ordering quote Part Number (not Illustration Number), Description and Model. For interchangeability of old part numbers see List for previous years.

Illustration Reference Number	Part No.	Description	Suitable for the Models indicated SERIES "R" - see page 5.	Price, £ s. d.	For Dealer's Use Only, Old Part No.	
N.I.	WA1580	REAR BRAKE—Continued. Pin for retaining Brake Drum Centre, $\frac{1}{8} \times \frac{1}{4} \times 24$ Cheese Head (as front).	R2, 4, 6, 8, 9	1	H413	
	WB2601	Rear Brake Shoes, with Linings. (per pair)	R2, 8, 9	12 9		
	WB1121	Rear Brake Shoes, with Linings, (as front). (per pair)	R4, 6	11 6		
	WA1140	Rear Brake Shoes, with Linings, (as front). (per pair)	R5, 12	8 0		
	WB2681	Top Rear Brake Shoe, with Lining.	R2, 8, 9	6 3		
	WB1161	Top Rear Brake Shoe, with Lining, (as front)	R4, 6	5 9		
	WA1160	Top Rear Brake Shoe, with Lining, (as front)	R5, 12	4 0		
	WB2721	Bottom Rear Brake Shoe, with Lining.	R2, 8, 9	6 3		
	WB1201	Bottom Rear Brake Shoe, with Lining, (as front).	R4, 6	5 9		
	WA1220	Bottom Rear Brake Shoe, with Lining, (as front).	R5, 12	4 0		
199	WB2781	Rear Brake Linings, with Rivets. (per pair)	R2, 8, 9	4 6		
	WB1241	Rear Brake Linings, with Rivets, (as front) (per pair)	R4, 6	4 0		
	WA1260	Rear Brake Linings, with Rivets, (as front) (per pair)	R5, 12	3 3		
	WA1280	Rivets only for Brake Linings, (as front) (set of 8)	R2, 4, 6, 8, 9	4		
	WA1281	Rivets only for Brake Linings, (as front) (set of 8).	R5, 12	4		
	WA2860	Springs for Rear Brake Shoes.	R2, 8, 9	2	K705	
	WA1300	Springs for Rear Brake Shoes (as front).	R4, 5, 6, 12	2	H650	
	WB2921	Rear Brake Anchor Plate.	R2	13 0		
	WB2932	Rear Brake Anchor Plate.	R8, 9	13 0		
	WB2941	Rear Brake Anchor Plate.	R4, 6	11 6		
201	WA2960	Rear Brake Anchor Plate.	R5, 12	12 3		
	WB3010	Locknut for Rear Brake Anchor Plate, $\frac{1}{4} \times 24 \times \frac{1}{4} \times \frac{1}{4}$.	R2, 8, 9	3	K729	
	WB3030	Locknut for Rear Brake Anchor Plate, $\frac{1}{4} \times 26 \times \frac{1}{4} \times \frac{1}{4}$.	R4, 6	1	H718	
	WA3050	Locknut for Rear Brake Anchor Plate, $\frac{1}{4} \times 20 \times \frac{1}{4} \times \frac{1}{4}$.	R5, 12	1		
	WB3052	Rear Brake Anchor Plate Stop Pin, $\frac{1}{8} \times 1 \times 26$	R2	5		
	WB3055	Rear Brake Anchor Plate Stop Pin, $\frac{1}{8} \times \frac{1}{4} \times 20$.	R4, 6	5		
	WB3056	Rear Brake Anchor Plate Stop Pin, $\frac{1}{8} \times \frac{1}{4} \times 20$.	R8, 9	5		
	N.I.	WB3060	REAR BRAKE—Continued. Nut for Rear Brake Anchor Plate Stop Pin, $\frac{1}{4} \times 20 \times \frac{1}{4} \times \frac{1}{4}$ Castellated.	R4, 6	5	
		WB3061	Nut for Rear Brake Anchor Plate Stop Pin, $\frac{1}{4} \times 20 \times \frac{1}{4} \times \frac{1}{4}$ Castellated.	R8, 9	6	
		WB3070	Clip on Chainstay for Anchor Plate.	R12	3	F319
WB3071		Clip on Chainstay for Anchor Plate.	R5	3		
RA3140		Pin for Chainstay Clip for Anchor Plate, $\frac{1}{8} \times \frac{1}{4} \times \frac{1}{4} \times 20$.	R5, 12	2	H537	
ZA6020		Nut for Chainstay Clip Pin for Anchor Plate, $\frac{1}{4} \times 20 \times \frac{1}{4} \times \frac{1}{4}$.	R5, 12	1	F320	
WB3100		Rear Brake Expander Spindle.	R2, 8, 9	3 6	K742	
WB1720		Rear Brake Expander Spindle (as front).	R5, 12	2 9	H731	
WB1721		Rear Brake Expander Spindle (as front).	R4, 6	3 3		
WA3200		Washer for Rear Brake Expander Spindle, $\frac{1}{8}$ Plain.	R2, 8, 9	1		
N.I.	ZA6830	Washer for Rear Brake Expander Spindle, $\frac{1}{8}$ Plain.	R4, 5, 6, 12	1		
	ZB520	Nut for Rear Brake Expander Spindle, $\frac{1}{4} \times 26 \times \frac{1}{4} \times \frac{1}{4}$.	R2, 8, 9	2	K32	
	ZA6020	Nut for Rear Brake Expander Spindle, $\frac{1}{4} \times 20 \times \frac{1}{4} \times \frac{1}{4}$.	R4, 5, 6, 12	1	H520	
	WB3401	Lever for Expander Spindle.	R2	2 6		
	WB3402	Lever for Expander Spindle.	R8, 9	2 6		
	WB3421	Lever for Expander Spindle.	R4, 6	2 3		
	WB3441	Lever for Expander Spindle.	R5, 12	2 3		
	WB3500	Rear Dummy Spindle.	R2, 8, 9	1 9	K728	
	WB3520	Rear Dummy Spindle.	R4, 6	1 6	H717	
	ZB6900	Grease Nipple for Rear Brake.	All Models	3	H180	

When ordering quote Part Number (not Illustration Number), Description and Model. For interchangeability of old part numbers see List for previous years.

Illustration Reference Number	Part No.	Description	Suitable for the Models indicated SERIES "R" - see page 5.	Price, £ s. d.	For Dealer's Use Only, Old Part No.
N.I.	WB3060	REAR BRAKE—Continued. Nut for Rear Brake Anchor Plate Stop Pin, $\frac{1}{4} \times 20 \times \frac{1}{4} \times \frac{1}{4}$ Castellated.	R4, 6	5	
	WB3061	Nut for Rear Brake Anchor Plate Stop Pin, $\frac{1}{4} \times 20 \times \frac{1}{4} \times \frac{1}{4}$ Castellated.	R8, 9	6	
	WB3070	Clip on Chainstay for Anchor Plate.	R12	3	F319
	WB3071	Clip on Chainstay for Anchor Plate.	R5	3	
	RA3140	Pin for Chainstay Clip for Anchor Plate, $\frac{1}{8} \times \frac{1}{4} \times \frac{1}{4} \times 20$.	R5, 12	2	H537
	ZA6020	Nut for Chainstay Clip Pin for Anchor Plate, $\frac{1}{4} \times 20 \times \frac{1}{4} \times \frac{1}{4}$.	R5, 12	1	F320
	WB3100	Rear Brake Expander Spindle.	R2, 8, 9	3 6	K742
	WB1720	Rear Brake Expander Spindle (as front).	R5, 12	2 9	H731
	WB1721	Rear Brake Expander Spindle (as front).	R4, 6	3 3	
	WA3200	Washer for Rear Brake Expander Spindle, $\frac{1}{8}$ Plain.	R2, 8, 9	1	
N.I.	ZA6830	Washer for Rear Brake Expander Spindle, $\frac{1}{8}$ Plain.	R4, 5, 6, 12	1	
	ZB520	Nut for Rear Brake Expander Spindle, $\frac{1}{4} \times 26 \times \frac{1}{4} \times \frac{1}{4}$.	R2, 8, 9	2	K32
	ZA6020	Nut for Rear Brake Expander Spindle, $\frac{1}{4} \times 20 \times \frac{1}{4} \times \frac{1}{4}$.	R4, 5, 6, 12	1	H520
	WB3401	Lever for Expander Spindle.	R2	2 6	
	WB3402	Lever for Expander Spindle.	R8, 9	2 6	
	WB3421	Lever for Expander Spindle.	R4, 6	2 3	
	WB3441	Lever for Expander Spindle.	R5, 12	2 3	
	WB3500	Rear Dummy Spindle.	R2, 8, 9	1 9	K728
	WB3520	Rear Dummy Spindle.	R4, 6	1 6	H717
	ZB6900	Grease Nipple for Rear Brake.	All Models	3	H180

When ordering quote Part Number (not Illustration Number), Description and Model. For interchangeability of old part numbers see List for previous years.

Illustration Reference Number	Part No.	Description	Suitable for the Models indicated SERIES "R" - see page 5.	Price, £ s. d.	For Dealer's Use Only, Old Part No.
223	RB541	Steering Damper Drawbolt with Knob.	R2	5 0	
	RB561	Steering Damper Drawbolt with Knob.	R4, 6, 8, 9	5 6	
	RB571	Steering Damper Drawbolt with Knob.	R5, 12	5 6	
	RB581	Steering Damper Slide Bolt.	R2	1 6	
	RB601	Steering Damper Slide Bolt.	R4, 6, 8, 9	1 6	
	RB621	Steering Damper Slide Bolt.	R5, 12	1 6	
	RB641	Steering Damper Friction Washer.	All Models	6	
	RB1420	Steering Damper Spring Disc.	All Models	4	H809
	RB681	Bolt for Steering Damper Spring Plate, $\frac{3}{8} \times 28$ Shouldered, Hex Head.	All Models	4	
	RB701	Steering Damper Anchor Plate.	R2	6	
224	RB731	Steering Damper Anchor Plate.	R4, 6, 8, 9	6	
	RB741	Steering Damper Anchor Plate.	R5, 12	6	
	RB761	Anchor Pin for Steering Damper Friction Plate, $\frac{1}{2} \times \frac{3}{4} \times 26$.	All Models	2	
	ZB2730	Washer for Anchor Pin for Steering Damper Friction Plate, $\frac{1}{2} \times$ Plain	All Models	1	K111
	MA500	Washer for Anchor Pin for Steering Damper Friction Plate, $\frac{1}{2} \times$ Single Spring.	All Models	1	F155
	RA780	Steering Damper Fibre Washer.	All Models	3	
	RA800	Steering Damper Steel Washer.	All Models	2	
	RB821	Top Fork Link, (Plain).	R2	1 3	
	RB961	Top Fork Link (Plain).	R4, 6, 8, 9	1 0	
	RB981	Top Fork Link (Plain).	R5, 12	9	
226	RB901	Top Fork Link (Tapped).	R2	1 3	
	RB921	Top Fork Link (Tapped).	R4, 6, 8, 9	1 0	
	RB941	Top Fork Link (Tapped).	R5, 12	9	
	RB961	Bottom Fork Link (Plain).	R2	2 6	
	RB981	Bottom Fork Link (Plain).	R4, 6, 8, 9	2 6	
	RB1001	Bottom Fork Link (Plain).	R5, 12	1 6	
	RB1021	Bottom Fork Link (Tapped).	R2	2 6	

When ordering quote Part Number (not Illustration Number), Description and Model. For interchangeability of old part numbers see List for previous years.

Illustration Reference Number	Part No.	Description	Suitable for the Models indicated SERIES "R" - see page 5.	Price, £ s. d.	For Dealer's Use Only, Old Part No.
216	Spring Forks.				
	NOTE: "Forks complete" does not include Steering Damper. If required this must be ordered separately. See instructions on page 5 referring to Chromium Plated Parts.				
	RB2	Spring Forks complete, less Steering Damper.	R2	6 12 3	
	RB21	Spring Forks complete, less Steering Damper.	R4, 6	4 17 9	
	RB41	Spring Forks complete, less Steering Damper.	R8, 9	5 9 3	
	RB61	Spring Forks complete, less Steering Damper.	R5, 12	4 6 3	
	RB81	Spring Fork Girder only.	R2	4 0 0	
	RB101	Spring Fork Girder only.	R4, 6	3 0 0	
	RB121	Spring Fork Girder only.	R8, 9	3 9 0	
	RB141	Spring Fork Girder only.	R5, 12	2 12 0	
217	RB161	Steering Crown and Column.	R2	16 9	
	RB181	Steering Crown and Column.	R4, 6, 8, 9	15 0	
	RB221	Steering Crown and Column.	R5, 12	14 3	
	RB241	Clip for Steering Crown and Column.	R2	11 6	
	RB261	Clip for Steering Crown and Column.	R4, 6	10 6	
	RB281	Clip for Steering Crown and Column.	R8, 9	11 6	
	RB301	Clip for Steering Crown and Column.	R5, 12	10 6	
	RB320	Pin for Clip for Steering Crown and Column, $\frac{3}{8} \times 2 \frac{1}{2} \times 20$ (Plated).	R2	5	K839
	RB340	Pin for Clip for Steering Crown and Column, $\frac{3}{8} \times 1 \frac{1}{2} \times 20$ (Plated).	R4, 5, 6, 8, 9, 12	5	H814
	RA360	Nut for Clip for Steering Crown and Column, $\frac{3}{8} \times 20 \times \frac{3}{4} \times \frac{3}{4}$ (Plated).	R2	3	
218	RA380	Nut for Clip for Steering Crown and Column, $\frac{3}{8} \times 20 \times \frac{3}{4} \times \frac{3}{4}$ (Plated).	R4, 5, 6, 8, 9, 12	3	
	RA400	Locknut for Steering Crown and Column, $1 \frac{1}{4} \times 26 \times \frac{11}{16} \times 1 \frac{1}{4}$ (Plated).	R2, 4, 6, 8, 9	1 5	
	RB441	Locknut for Steering Crown and Column.	R5, 12	1 5	
	RS461	Steering Damper complete.	R2	9 0	
	RB481	Steering Damper complete.	R4, 6, 8, 9	9 0	
	RB501	Steering Damper complete.	R5, 12	9 0	

When ordering quote Part Number (not Illustration Number), Description and Model. For interchangeability of old part numbers see List for previous years.

Illustration Reference Number	Part No.	Description	Suitable for the Models indicated SERIES "R" - see page 5.	Price, £ s. d.	For Dealer's Use Only, Old Part No.
219	Spring Forks.				
	NOTE: "Forks complete" does not include Steering Damper. If required this must be ordered separately. See instructions on page 5 referring to Chromium Plated Parts.				
	RB2	Spring Forks complete, less Steering Damper.	R2	6 12 3	
	RB21	Spring Forks complete, less Steering Damper.	R4, 6	4 17 9	
	RB41	Spring Forks complete, less Steering Damper.	R8, 9	5 9 3	
	RB61	Spring Forks complete, less Steering Damper.	R5, 12	4 6 3	
	RB81	Spring Fork Girder only.	R2	4 0 0	
	RB101	Spring Fork Girder only.	R4, 6	3 0 0	
	RB121	Spring Fork Girder only.	R8, 9	3 9 0	
	RB141	Spring Fork Girder only.	R5, 12	2 12 0	
220	RB161	Steering Crown and Column.	R2	16 9	
	RB181	Steering Crown and Column.	R4, 6, 8, 9	15 0	
	RB221	Steering Crown and Column.	R5, 12	14 3	
	RB241	Clip for Steering Crown and Column.	R2	11 6	
	RB261	Clip for Steering Crown and Column.	R4, 6	10 6	
	RB281	Clip for Steering Crown and Column.	R8, 9	11 6	
	RB301	Clip for Steering Crown and Column.	R5, 12	10 6	
	RB320	Pin for Clip for Steering Crown and Column, $\frac{3}{8} \times 2 \frac{1}{2} \times 20$ (Plated).	R2	5	K839
	RB340	Pin for Clip for Steering Crown and Column, $\frac{3}{8} \times 1 \frac{1}{2} \times 20$ (Plated).	R4, 5, 6, 8, 9, 12	5	H814
	RA360	Nut for Clip for Steering Crown and Column, $\frac{3}{8} \times 20 \times \frac{3}{4} \times \frac{3}{4}$ (Plated).	R2	3	

When ordering quote Part Number (not Illustration Number), Description and Model. For interchangeability of old part numbers see List for previous years.

Illustration Reference Number.	Part No.	Description.	Suitable for the Models indicated SERIES "R" — see page 5.	Price. £ s. d.	For Dealer's Use Only. Old Part No.
229	SPRING FORKS—Continued.				
	RB1041	Bottom Fork Link (Tapped).	R4, 6, 8, 9	2 6	
	RB1061	Bottom Fork Link (Tapped).	R5, 12	1 6	
	RB1081	Top Fork Spindle, less Nut (Front & Rear) $7\frac{1}{2}$ underhead.	R2	2 1	
	RB1101	Top Fork Spindle, less Nut (Front & Rear) $6\frac{1}{2}$ underhead.	R4, 6	11	
	RB1121	Top Fork Spindle, less Nut (Front & Rear) $7\frac{1}{2}$ underhead.	R8, 9	1 7	
	RB1141	Top Fork Spindle, less Nut (Front & Rear) $6\frac{1}{2}$ underhead.	R5, 12	11	
	RB1160	Bottom Fork Spindle, less Nut (Front) $9\frac{1}{2}$ underhead.	R2	2 4	K833
	RB1181	Bottom Fork Spindle, less Nut (Front) $7\frac{1}{2}$ underhead.	R4, 6	1 4	
	RB1201	Bottom Fork Spindle, less Nut (Front) $8\frac{1}{2}$ underhead.	R8, 9	1 10	
230	RA1220	Bottom Fork Spindle less Nut (Front) $6\frac{1}{2}$ underhead.	R5, 12	11	
	RB1221	Bottom Fork Spindle, less Nut (Rear) $6\frac{1}{2}$ underhead.	R5, 12	11	
	RA1240	Bottom Fork Spindle, less Nut (Rear) $9\frac{1}{2}$ underhead.	R2	2 4	
	RB1261	Bottom Fork Spindle, less Nut (Rear) $7\frac{1}{2}$ underhead.	R4, 6	1 10	
	RB1281	Bottom Fork Spindle, less Nut (Rear) $8\frac{1}{2}$ underhead.	R8, 9	1 10	
	RB1300	Fork Spindle Nut (Plated) $\frac{1}{4} \times 26 \times \frac{1}{4} \times \frac{1}{2}$.	R2	5	K834
	RA0460	Fork Spindle Nut (Plated) $\frac{1}{4} \times 26 \times \frac{1}{4} \times \frac{1}{2}$.	R4, 6, 8, 9	4	H800
	RB1340	Fork Spindle Nut (Plated) $\frac{1}{4} \times 26 \times \frac{1}{4} \times \frac{1}{2}$.	R5, 12	4	F363
	RB1361	Friction Discs. (per pair)	R2, 4, 6, 8, 9	1 6	
	RB1391	Friction Discs. (per pair)	R5, 12	1 3	
233	RB1401	Spring Washer for Friction Disc.	R2	4	
	RB1421	Spring Washer for Friction Disc.	R4, 6, 8, 9	4	
	RB1431	Spring Washer for Friction Disc.	R5, 12	4	
	RB1441	Fork Spring.	R2	6 6	
	RB1461	Fork Spring.	R4, 6, 8, 9	6 0	
235	RB1501	Fork Spring.	R5, 12	3 6	
	RA1520	Fork Spring Dish.	R2, 4, 6, 8, 9	1 6	
	RA1540	Fork Spring Dish	R5, 12	1 6	

DO NOT quote Illustration Number when ordering.

When ordering quote Part Number (not Illustration Number), Description and Model. For interchangeability of old part numbers see List for previous years.

Illustration Reference Number.	Part No.	Description.	Suitable for the Models indicated SERIES "R" — see page 5.	Price. £ s. d.	For Dealer's Use Only. Old Part No.
237	SPRING FORKS—Continued.				
	RA1560	Pin for Fork Spring Dish, $\frac{1}{4} \times 2\frac{1}{2} \times 20$.	R2	3	
	RB1561	Pin for Fork Spring Dish.	R4, 5, 6, 8, 9, 12	3	
	ZB6900	Grease Nipple.	All Models	3	H180
	RB1600	Frame Head Race (Top or Bottom).	R2, 4, 6, 8, 9	1 6	H821
	RB1620	Frame Head Race (Top or Bottom).	R5, 12	1 6	F367
	RB1640	Fork Stem Race (Bottom).	R2, 4, 6, 8, 9	1 6	H823
	RB1660	Fork Stem Race (Bottom).	R5, 12	1 6	F368
	RB1680	Steering Collar, with Race.	R2, 4, 6, 8, 9	4 3	H819
	RB1700	Steering Collar, with Race.	R5, 12	4 3	F366
240	RB1720	Ball Bearings for Races, $\frac{1}{8}$. (set 56).	R2, 4, 6, 8, 9	1 3	H825
	RB1720	Ball Bearings for Races, $\frac{1}{8}$. (set 50)	R5, 12	1 2	F369

DO NOT quote Illustration Number when ordering.

When ordering quote Part Number (not Illustration Number), Description and Model. For interchangeability of old part numbers see List for previous years.

Illustration Reference Number.	Part No.	Description.	Suitable for the Models indicated SERIES "R" - see page 5.	Price, £ s. d.	For Dealer's Use Only, Old Part No.
242	RB1651	<p>Handlebars.</p> <p>NOTE.—See instructions on page 5 referring to Chromium Plated Parts.</p> <p>Handlebar only, less Grips.</p> <p>Top Half Clip for Handlebars.</p> <p>Top Half Clip for Handlebars.</p> <p>Pins for Clip for Handlebars (Plated) $\frac{1}{8} \times 1 \frac{1}{8} \times 20$. (each).</p> <p>Celluloid Grips (Home Machines only), (pair)</p>	All Models	9 0	
243	RB1961		R2	1 6	
244	RB1962		R4, 5, 6, 8, 9, 12	1 6	
245	RB1963		All Models	4	
	RB2000		R2, 5, 12	1 0	H1022
180	RB2101	Electric Lamp Bracket.	R2	2 3	
	RB2121	Electric Lamp Bracket.	R4, 6, 8, 9	2 3	
	RB2141	Electric Lamp Bracket.	R5, 12	2 3	
181	RB2321	Strut only for Lamp Bracket. (pair)	R2	1 0	
	RB2341	Strut only for Lamp Bracket. (pair)	R4, 5, 6, 12	1 0	
	RB2361	Strut only for Lamp Bracket. (pair)	R8, 9	1 0	
	ZA6840	Pin for Fork End of Strut, $\frac{1}{8} \times \frac{1}{8} \times 20$.	All Models	2	F320
	ZA6040	Washer for Fork End of Strut, $\frac{1}{8} \times \frac{1}{8} \times 20$.	All Models.	1	H163
	ZB6630	Pin to connect Lamp Bracket Leg to Mudguard Bridge, $\frac{1}{8} \times \frac{1}{8} \times 20$.	All Models	3	H164-9
	ZA6020	Nut to connect Lamp Bracket Leg to Mudguard Bridge, $\frac{1}{8} \times 20 \times \frac{1}{8} \times \frac{1}{8}$.	All Models	1	H320
	ZA6040	Washer to connect Lamp Bracket Leg to Mudguard Bridge, $\frac{1}{8} \times \frac{1}{8} \times 20$.	All Models	1	H163

DO NOT quote Illustration Number when ordering.

When ordering quote Part Number (not Illustration Number), Description and Model. For interchangeability of old part numbers see List for previous years.

Illustration Reference Number.	Part No.	Description.	Suitable for the Models indicated SERIES "R" - see page 5.	Price, £ s. d.	For Dealer's Use Only, Old Part No.
	RB2501	<p>Frame and Fittings.</p> <p>Frame complete.</p> <p>Frame complete.</p> <p>Frame complete.</p> <p>Frame complete.</p> <p>Adjusting Pin for Rear Wheel.</p> <p>Adjusting Pin for Rear Wheel.</p> <p>Adjusting Pin for Rear Wheel.</p> <p>Nut for Adjusting Pin for Rear Wheel, $\frac{1}{8} \times 20 \times \frac{1}{8} \times \frac{1}{8}$.</p> <p>Seat Pillar complete.</p> <p>Drawbolt for Seat Pillar, $\frac{1}{8} \times 5 \times 20$.</p> <p>Nut for Drawbolt for Seat Pillar, $\frac{1}{8} \times 20 \times \frac{1}{8} \times \frac{1}{8}$.</p> <p>Washer for Drawbolt for Seat Pillar, $\frac{1}{8} \times 20 \times \frac{1}{8} \times \frac{1}{8}$.</p> <p>Plug for Drawbolt for Seat Pillar.</p> <p>Seat Stay Bolt, $\frac{1}{8} \times 3 \frac{1}{2} \times 24$.</p> <p>Seat Stay Bolt, $\frac{1}{8} \times 3 \frac{1}{2} \times 24$.</p> <p>Seat Stay Bolt, $\frac{1}{8} \times 3 \frac{1}{2} \times 20$.</p> <p>Seat Stay Bolt, $\frac{1}{8} \times 2 \frac{1}{2} \times 26$.</p> <p>Nut for Seat Stay Bolt, $\frac{1}{8} \times 24 \times \frac{1}{8} \times \frac{1}{8}$.</p> <p>Nut for Seat Stay Bolt, $\frac{1}{8} \times 20 \times \frac{1}{8} \times \frac{1}{8}$.</p> <p>Nut for Seat Stay Bolt, $\frac{1}{8} \times 26 \times \frac{1}{8} \times \frac{1}{8}$.</p> <p>Washer for Seat Stay Bolt, $\frac{1}{8} \times 20 \times \frac{1}{8} \times \frac{1}{8}$.</p> <p>Washer for Seat Stay Bolt, $\frac{1}{8} \times 20 \times \frac{1}{8} \times \frac{1}{8}$.</p> <p>Washer for Seat Stay Bolt, $\frac{1}{8} \times 20 \times \frac{1}{8} \times \frac{1}{8}$.</p> <p>Crankcase Cover Plate.</p> <p>Crankcase Cover Plate.</p> <p>Spring for Crankcase Cover Plate.</p>	R2	11 10 0	
	RB2521		R4, 6	9 4 0	
246	RB2541		R8, 9	9 15 6	
	RB2561		R5, 12	8 1 0	
	RB2580		R2	3	K869
	RB2600		R5, 12	3	F387
	RB2605		R4, 6, 8, 9	3	
	ZB2720		All Models	1	H133
	RB2741		All Models	6 6	
	RB2761		All Models	1 6	
	RB2780	All Models	2	H1521-3	
	ZB27170	All Models	1	H160	
	RB2801	All Models	6		
	RA2840	R2	7		
	RB2861	R8, 9	7		
	RB2881	R4, 6	7		
	RA2900	R5, 12	7		
	RA2910	R2, 8, 9	2	K297	
	WA1060	R4, 6	3		
	ZB520	R5, 12	2	F5	
	WB1610	R2, 8, 9	1	G155-2	
	YB530	R4, 6	1	H401	
	WA3200	R5, 12	1		
	RB2920	R4, 6	6		
	RB2925	R8, 9	6		
	RB2930	R4, 6	3		

DO NOT quote Illustration Number when ordering.

N.I.

When ordering quote Part Number (not Illustration Number), Description and Model. For interchangeability of old part numbers see List for previous years.

Illustration Reference Number.	Part No.	Description.	Suitable for the Models indicated SERIES "R" — see page 5.	Price, £ s. d.	For Dealer's Use Only, Old Part No.
262	RA5100	Footboards complete with Rods.	R2	1 6 6	
263	RA5140	Footboard only, with Mat and Brackets (R.H.).	R2	9 3	K1216
	RB5141	Footboard only, with Mat and Brackets (L.H.).	R2	9 3	
264	RA5180	Footboard Rubber Mat.	R2	5 6	K1218
265	RA5200	Wood Base for Footboard.	R2	1 6	K1219
267	RA5240	Long Distance Tube (Front) (L.H.) 5 1/8 long x 1/2 outside diameter.	R2	7	K1221
	RA5280	Short Distance Tubes (Front or Rear) (R.H. or L.H.) 2 1/2 long x 1/2 outside dia.	R2	3	K1222
	RA5320	Long Distance Tube (Rear) (L.H.) 4 1/8 long x 1/2 outside diameter.	R2	6	K1225
	RA5360	Short Distance Tube (Front) (R.H.) 2 1/2 long x 1/2 outside diameter.	R2	3	
	RB5440	Footboard Clip only.	R2	6	
268	RA5480	Footboard Rod (Long) 21 long x 1/2 outside diameter.	R2	1 9	K1232
269	RA5520	Footboard Rod (Short) with Hex. Head, 12 1/2 long x 1/2 outside diameter.	R2	1 3	
270	ZA7130	Nut for Footboard Rod, 1/2 x 24 x 1/2 x 1/2.	R2	2	
N.I.	RA5600	Washer for Nut for Footboard Rod, 1/2" Single Spring.	R2	1	K301
272	RA5640	Pin for Footboard Clip, 1/2 x 1/2 x 20.	R2	1	
N.I.	RA5660	Nut for Footboard Clip, 1/2 x 20 x 1/2 x 1/2, (Square).	R2	1	
	RA5680	Supporting Arm for Footboards.	R2	1 9	
273	RA5700	Bolt for Supporting Arm for Footboards, 1/2 x 4 1/2 x 24.	R2	8	
274	RB5710	Distance Piece for Footboard Supporting Arm, 1/2 long x 1/2 outside diameter.	R2	3	

When ordering quote Part Number (not Illustration Number), Description and Model. For interchangeability of old part numbers see List for previous years.

Illustration Reference Number.	Part No.	Description.	Suitable for the Models indicated SERIES "R" — see page 5.	Price, £ s. d.	For Dealer's Use Only, Old Part No.	
273	Brake Pedal and Fittings.					
	<i>NOTE.—See instructions on page 5 referring to Chromium Plated Parts.</i>					
		RB6000	Rear Brake Operating Pedal (Footboards).	R2	8 9	K761
		RA6020	Rear Brake Operating Pedal (Footrests).	R2	8 9	
		RB6061	Rear Brake Operating Pedal (Footrests).	R4, 6, 8, 9	8 9	
		RB6141	Rear Brake Operating Pedal (Footrests).	R5, 12	7 9	
		RA6200	Front Brake Operating Pedal (Footboards).	R2	8 9	
		RA6220	Front Brake Operating Pedal (Footrests).	R2	8 9	
		RB6260	Rear Brake Pedal Spindle (Footboards).	R2	1 0	K763
		RA6280	Rear Brake Pedal Spindle (Footrests).	R2	3 6	
274	RB6301	Rear Brake Pedal Spindle (Footrests).	R4, 6	1 6		
	RB6351	Rear Brake Pedal Spindle (Footrests).	R8, 9	2 3		
	RA6365	Bearing Tube for Brake Pedal, 2 1/2 long x 1/2 outside diameter.	R2	4		
	RA6460	Nut for Brake Pedal Spindle, 1/2 x 26 x 1/2 x 1/2.	R2	2		
N.I.	ZA6830	Washer for Brake Pedal Spindle, 1/2" Plain.	R2, 4, 6, 8, 9	1		
	RA6610	Washer for Brake Pedal Spindle 1/2" Double Spring.	R4, 6, 8, 9	1	K1236	
DO NOT quote Illustration Number when ordering.	ZA7160	Nut for Brake Pedal Spindle, 1/2 x 26 x 1/2 x 1/2.	R2, 4, 6, 8, 9	1	H177	
	WA2500	Nut for Brake Pedal Spindle, 1/2 x 26 x 1/2 x 1/2.	R4, 6, 8, 9	2	H532	
276	ZA6020	Nut for Brake Pedal Spindle, 1/2 x 20 x 1/2 x 1/2.	R2	1	H320	
	RA6520	Rear Brake Rod.	R2	2 3		
277	RB6661	Rear Brake Rod.	R4, 6, 8, 9	2 3		
	RB6741	Rear Brake Rod.	R5, 12	2 3		
	YA6300	Yoke End for Rear Brake Rod.	All Models.	10		
278	YA4320	Pin for Rear Brake Rod.	All Models	2		
N.I.	YA2490	Cotter for Rear Brake Rod.	All Models	1		
280	RA6540	Adjusting Spring for Rear Brake Rod (Plated).	All Models	3		
281	RA6560	Milled Nut for Adjusting Spring for Rear Brake Rod (Plated).	All Models	1 9		

When ordering quote Part Number (not Illustration Number), Description and Model. For interchangeability of old part numbers see List for previous years.

Illustration Reference Number	Part No.	Description	Suitable for the Models indicated SERIES "R" - see page 5.	Price, £ s. d.	For Dealer's Use Only, Old Part No.
282	RA6800	Clip for Adjusting Spring for Rear Brake Rod (Patent).	All Models	1 6	
	RA6900	Washer for Adjusting Clip for Rear Brake Rod (Patent).	All Models	2	
	RA6920	Front Brake Cable Stop (Footboards).	R2	3 0	
	RA6940	Front Brake Cable Stop (Footrests).	R2	1 0	
	N.I.	Rear Brake Stop.	R12	3 0	
285	MB2	Front Mudguard complete two Stays.	R2	1 2 6	
	MB21	Front Mudguard complete two Stays.	R2, 4	17 6	
	MB21	Front Mudguard complete two Stays.	R2, 6	18 6	
	MB121	Front Mudguard complete two Stays.	R2, 12	17 6	
	MB201	Stays for Front Mudguard.	R2	3 0	
286	MB221	Stays for Front Mudguard.	R4, 5, 6, 8, 9, 12	3 0	
	MB521	Bracket for fixing Front Mudguard to Fork (2 used), (each).	R2	4	
	MB531	Bracket for fixing Front Mudguard to Fork (2 used), (each).	R4, 6	4	
	MB535	Bracket for fixing Front Mudguard to Fork (2 used), (each).	R8, 9	4	
	N.I.	Bridge Plate for Front Mudguard.	R2, 8, 9	5	K923
N.I.	Bridge Plate for Front Mudguard.	R4, 5, 6, 12	5	H901	
N.I.	MA380	Pin for fixing Front Mudguard to Bracket	All Models	2	
		Pin for fixing Bridge Plate.			

Front Mudguard.

DO NOT quote Illustration Number when ordering.

DO NOT quote Illustration Number when ordering.

When ordering quote Part Number (not Illustration Number), Description and Model. For interchangeability of old part numbers see List for previous years.

Illustration Reference Number	Part No.	Description	Suitable for the Models indicated SERIES "R" - see page 5.	Price, £ s. d.	For Dealer's Use Only, Old Part No.
N.I.	MB921	Pin for holding Front Stand to Front Mudguard, $\frac{1}{8} \times \frac{1}{4} \times 20$ Shouldered.	All Models	3	
	ZB2720	Nut for Front Mudguard Stay Nut for fixing Front Mudguard to Bracket Nut for Bridge Plate Pin	All Models	1	H133
	MB922	Nut for holding Front Stand to Front Mudguard (Shouldered), $\frac{1}{8} \times 20 \times \frac{1}{8} \times \frac{1}{8}$.	All Models	1	
	MB1030	Pin for fixing Bracket to Fork, $\frac{1}{8} \times 1 \frac{1}{2} \times 20$	R2, 4, 6, 8, 9	3	H201
	ZA6020	Nut for fixing Bracket to Fork, $\frac{1}{8} \times 20 \times 1 \frac{1}{2} \times \frac{1}{8}$.	R2, 4, 6, 8, 9	1	H320
	MA500	Washer for Front Mudguard Stay Washer for fixing Front Mudguard to Bracket Washer for Bridge Plate Pin	All Models	1	F155
	ZA6040	Washer for Bracket to Fork, $\frac{1}{8} \times$ Single Spring.	R2, 4, 6, 8, 9	1	H103
	ZB2730	Washer for Front Mudguard Stay, $\frac{1}{8} \times$ Plain.	All Models	1	K111
Rear Mudguard.					
NOTE.—Bridges for Rear Guard on early R4, 6, 8, 9 Models were secured by Pin, Nut and Washers. On later Models Bridges are riveted on. These Guards can only be supplied complete with Bridges.					
N.I.	MA1050	Rear Mudguard.	R2	19 0	
	MB1021	Rear Mudguard, with Bridges.	R4, 6	12 6	
	MB1041	Rear Mudguard, with Bridges.	R8, 9	14 0	
	MA1100	Rear Mudguard.	R5, 12	9 6	
	MA1200	Inside Strap for Stand Clip.	R2	1 6	
	MA1220	Inside Strap for Stand Clip.	R5, 12	1 6	
	MB1340	Spiral Spring for Stand Clip.	R2, 5, 12	1	H589
	YA2230	Washer for Spiral Spring for Stand Clip, $\frac{1}{8} \times$ Plain.	R2, 5, 12	1	
	MA900	Nut for Spiral Spring for Stand Clip.	R2, 5, 12	1	
	MB1445	Bridges for Rear Mudguard (void) (2 used) (each).	R4, 6	1 0	
	MB1451	Bridges for Rear Mudguard (narrow) (2 used) (each).	R4, 6	1 0	

When ordering quote Part Number (not Illustration Number), Description and Model. For interchangeability of old part numbers see List for previous years.

Illustration Reference Number.	Part No.	Description.	Suitable for the Models indicated SERIES "R", see page 5.	Price, £ s. d.	For Dealer's Use Only, Old Part No.			
N.I.	MB1455	REAR MUDGUARD—Continued. Bridges for Rear Mudguard (wide) (1 used) (each).	R8, 9	1 0				
	MB1461	Bridges for Rear Mudguard (narrow) (3 used) (each).	R8, 9	1 0				
	MA1500	Long Strap inside Mudguard.	R2	1 6				
	MA1560	Long Strap inside Mudguard.	R5, 12	1 6				
	MB1801	Lifting Handle.	R4, 6	7 6				
	MB1821	Lifting Handle.	R8, 9	7 6				
	MB2060	Pin for fixing Lifting Handle to Fork End. $\frac{1}{8} \times \frac{1}{2} \times 20$.	R8, 9	2	K1005			
	RA3140	Pin for fixing Lifting Handle to Fork End. $\frac{1}{8} \times \frac{1}{2} \times 20$.	R4, 6	2	H537			
	ZB7170	Washer for fixing Lifting Handle to Fork End, $\frac{1}{8} \times \frac{1}{2} \times 20$.	R8, 9	1	K300			
	ZA6040	Washer for fixing Lifting Handle to Fork End, $\frac{1}{8} \times \frac{1}{2} \times 20$.	R4, 6	1	H163			
289	MB1921	Rear Stay for Mudguard (R.H. and L.H.)	R4, 6	1 6				
	MB1941	Rear Stay for Mudguard (R.H. and L.H.)	R8, 9	1 6				
	MA380	Pin for fixing Bridge to Frame. $\frac{1}{4} \times \frac{1}{2} \times 20$	R4, 6, 8, 9	2				
	MA400	Pin for Stand Strap.	R2, 5, 12	2				
		Pin for Bridge Piece	R4, 6, 8, 9					
		Pin for Long Strap	R2, 5, 12					
	MB1945	Pin for fixing Stay to Mudguard, and Fork End. $\frac{1}{4} \times \frac{1}{2} \times 28$.	R4, 6, 8, 9	2				
	RA3140	Pin for Bottom Bracket, $\frac{1}{8} \times \frac{1}{2} \times 20$.	R2, 5, 12	2	H537			
	N.I.	ZB2750	Nut for Stand Strap	R2, 5, 12	1	H133		
			Nut for Bridge Pin	R4, 6, 8, 9				
Nut for Long Strap Pin			$\frac{1}{4} \times 20 \times \frac{1}{8} \times \frac{1}{8}$					
Nut for fixing Bridge to Frame			R4, 6, 8, 9					
Nut for Bottom Bracket Pin			R2, 5, 12					
MB1947			Nut for fixing Stay to Mudguard, $\frac{1}{4} \times 28 \times \frac{1}{8} \times \frac{1}{8}$.	R4, 6, 8, 9			1	
MA500			Washer for Bridge Piece	R4, 6, 8, 9			1	F155
			Washer for Long Strap	R2, 5, 12				
			Washer for Mudguard Stay	R4, 6, 8, 9				

When ordering quote Part Number (not Illustration Number), Description and Model. For interchangeability of old part numbers see List for previous years.

Illustration Reference Number.	Part No.	Description.	Suitable for the Models indicated SERIES "R", see page 5.	Price, £ s. d.	For Dealer's Use Only, Old Part No.
N.I.	MA1440	REAR MUDGUARD—Continued. Washer for Stand Strap, 1" Single Spring (Square).	R2, 5, 12	1	H163
	ZA6040	Washer for Bottom Bracket Pin, $\frac{1}{8} \times \frac{1}{2} \times 20$ Single Spring.	R2, 5, 12		
291	MB2101	Front Wheel Stand only.	R2	12 0	
		Front Wheel Stand only.	R4, 6		
		Front Wheel Stand only.	R5, 12		
		Front Wheel Stand only.	R8, 9		
		Front Wheel Stand only.	R2		
	MA2260	Pin for Fork End of Front Wheel Stand, $\frac{1}{8} \times 1 \frac{1}{2} \times 20$.	R4, 6	2	F320
	ZA6840	Pin for Fork End of Front Wheel Stand, $\frac{1}{8} \times \frac{1}{2} \times 20$.	R8, 9	1	H437
	MA2300	Pin for Fork End of Front Wheel Stand, $\frac{1}{8} \times \frac{1}{2} \times 20$.	R5, 12	2	
	RA3140	Pin for Fork End of Front Wheel Stand, $\frac{1}{8} \times \frac{1}{2} \times 20$.	R2, 8, 9	1	H320
	ZA6020	Nut for Fork End of Front Wheel Stand, $\frac{1}{8} \times 20 \times \frac{1}{4} \times \frac{1}{4}$.	R4, 5, 6, 12	1	
YA4360	Nut for Fork End of Front Wheel Stand, $\frac{1}{8} \times 20 \times \frac{1}{8} \times \frac{1}{8}$.				
292	MA2400	Rear Wheel Stand only.	R2	1 8 9	
		Rear Wheel Stand only.	R5, 12		
		Rear Wheel Stand only (under Engine).	R4, 6		
		Rear Wheel Stand only (under Engine).	R8, 9		
		Rear Wheel Stand only (under Engine).			
293	MB2455	Rear Wheel Stand only.	R2	1 8 9	
		Rear Wheel Stand only.	R5, 12		
		Rear Wheel Stand only (under Engine).	R4, 6		
		Rear Wheel Stand only (under Engine).	R8, 9		
		Rear Wheel Stand only (under Engine).			

DO NOT quote Illustration Number when ordering.

When ordering quote Part Number (not Illustration Number), Description and Model. For interchangeability of old part numbers see List for previous years.

Illustration Reference Number.	Part No.	Description.	Suitable for the Models indicated SERIES "R",— see page 5.	Price, £ s. d.	For Dealer's Use Only, Old Part No.
N.I.	MA2460	REAR STAND—Continued. Pin only Rear Wheel Stand, $\frac{1}{8} \times 1\frac{1}{2} \times 20$.	R2	3	K891
	MB2461	Pin only Rear Wheel Stand, $\frac{1}{8} \times 20$ Shouldered	R4, 6, 8, 9	3	
	MB2500	Pin only for Rear Wheel Stand, $\frac{1}{4} \times \frac{1}{4} \times 20$.	R5, 12	3	F396
	ZB4920	Nut only for Rear Wheel Stand, $\frac{1}{8} \times 20 \times \frac{1}{8} \times \frac{1}{8}$.	R2	2	K228
	MB2560	Nut only for Rear Wheel Stand, $\frac{1}{8} \times 20 \times \frac{1}{8} \times \frac{1}{8}$.	R5, 12	2	F397
	MB2580	Spring for Rear Wheel Stand (under Engine).	R4, 6, 8, 9	1 0	
Carriers.					
295	MA2600	Carrier.	R2	2 6 0	
	MB2621	Carrier.	R4, 6	16 6	
	MB2631	Carrier.	R8, 9	17 6	
	MA2640	Carrier.	R5, 12	1 4 3	
	MB2660	End Pins for fixing Carrier, $\frac{1}{8} \times \frac{1}{8} \times 20$.	R2	2	K1005
	ZA8840	End Pins for fixing Carrier, $\frac{1}{8} \times \frac{1}{8} \times 20$.	R5, 12	2	F320
	ZB7170	Washer for Pins for fixing Carrier, $\frac{1}{8}$ " Single Spring.	R2	1	K300
	ZA6040	Washer for Pins for fixing Carrier, $\frac{1}{8}$ " Single Spring.	R5, 12	1	H163
	MB1945	Pin for fixing Carrier to Mudguard, $\frac{1}{4} \times \frac{1}{4} \times 28$.	R4, 6, 8, 9	2	
	MB1947	Nut for fixing Carrier to Mudguard, $\frac{1}{4} \times 28 \times \frac{1}{8} \times \frac{1}{8}$.	R4, 6, 8, 9	1	
MA500	Washer for fixing Carrier to Mudguard, $\frac{1}{4}$ " Single Spring.	R4, 6, 8, 9	1	F155	

N.I.

295

When ordering quote Part Number (not Illustration Number), Description and Model. For interchangeability of old part numbers see List for previous years.

Illustration Reference Number.	Part No.	Description.	Suitable for the Models indicated SERIES "R",— see page 5.	Price, £ s. d.	For Dealer's Use Only, Old Part No.	
297	MB2000	Number Plates. Front Number Plate only.	R2, 4, 5, 6, 8, 9	1 6	H223	
	MB2610	Front Number Plate only.	R12	1 6		
	MB2621	Clips complete with Nut and Washer for Front Number Plate. (pair).	All Models	1 4		
	WA1590	Pin for holding Front Number Plate into Clip, $\frac{1}{8} \times \frac{1}{4} \times 24$ (Cheese Head).	All Models	1		
	MA900	Nut for holding Front Number Plate into Clip, $\frac{1}{8} \times 24 \times \frac{1}{8} \times \frac{1}{8}$.	All Models	1		
	MB2940	Rear Number Plate only.	R2,	1 6	H226	
	MB2945	Rear Number Plate only.	R4, 6, 8, 9	1 6		
	MB2950	Rear Number Plate only.	R5, 12	1 6	F443	
	MB2960	Rear Number Plate only for Electric Lamp.	R2,	1 6	H827	
	MB2955	Rear Number Plate only for Electric Lamp.	R4, 6, 8, 9	1 6		
299	MB2965	Rear Number Plate only for Electric Lamp.	R5, 12	1 6	F444	
	MB2970	Support for Rear Number Plates	R4, 6, 8, 9	1 0		
	MA400	Pin for Rear Number Plate and Support, $\frac{1}{4} \times \frac{1}{4} \times 20$ Round Head.	All Models	1		
	ZB2720	Nut for Rear Number Plate and Support, $\frac{1}{4} \times 20 \times \frac{1}{4} \times \frac{1}{4}$.	All Models	1	H132	
	MA500	Washer for Rear Number Plates, $\frac{1}{4}$ " Single Spring	All Models	1	F155	
	300	DO NOT quote Illustration Number when ordering.				
		DO NOT quote Illustration Number when ordering.				
		DO NOT quote Illustration Number when ordering.				
		DO NOT quote Illustration Number when ordering.				
		DO NOT quote Illustration Number when ordering.				
DO NOT quote Illustration Number when ordering.						
DO NOT quote Illustration Number when ordering.						
DO NOT quote Illustration Number when ordering.						
DO NOT quote Illustration Number when ordering.						
DO NOT quote Illustration Number when ordering.						

DO NOT quote Illustration Number when ordering.

DO NOT quote Illustration Number when ordering.

DO NOT quote Illustration Number when ordering.

DO NOT quote Illustration Number when ordering.

DO NOT quote Illustration Number when ordering.

DO NOT quote Illustration Number when ordering.

DO NOT quote Illustration Number when ordering.

DO NOT quote Illustration Number when ordering.

DO NOT quote Illustration Number when ordering.

DO NOT quote Illustration Number when ordering.

DO NOT quote Illustration Number when ordering.

DO NOT quote Illustration Number when ordering.

DO NOT quote Illustration Number when ordering.

DO NOT quote Illustration Number when ordering.

DO NOT quote Illustration Number when ordering.

DO NOT quote Illustration Number when ordering.

DO NOT quote Illustration Number when ordering.

DO NOT quote Illustration Number when ordering.

DO NOT quote Illustration Number when ordering.

DO NOT quote Illustration Number when ordering.

DO NOT quote Illustration Number when ordering.

DO NOT quote Illustration Number when ordering.

DO NOT quote Illustration Number when ordering.

DO NOT quote Illustration Number when ordering.

DO NOT quote Illustration Number when ordering.

DO NOT quote Illustration Number when ordering.

DO NOT quote Illustration Number when ordering.

DO NOT quote Illustration Number when ordering.

DO NOT quote Illustration Number when ordering.

DO NOT quote Illustration Number when ordering.

DO NOT quote Illustration Number when ordering.

DO NOT quote Illustration Number when ordering.

DO NOT quote Illustration Number when ordering.

DO NOT quote Illustration Number when ordering.

DO NOT quote Illustration Number when ordering.

DO NOT quote Illustration Number when ordering.

DO NOT quote Illustration Number when ordering.

DO NOT quote Illustration Number when ordering.

DO NOT quote Illustration Number when ordering.

DO NOT quote Illustration Number when ordering.

DO NOT quote Illustration Number when ordering.

DO NOT quote Illustration Number when ordering.

DO NOT quote Illustration Number when ordering.

DO NOT quote Illustration Number when ordering.

DO NOT quote Illustration Number when ordering.

DO NOT quote Illustration Number when ordering.

DO NOT quote Illustration Number when ordering.

DO NOT quote Illustration Number when ordering.

DO NOT quote Illustration Number when ordering.

DO NOT quote Illustration Number when ordering.

DO NOT quote Illustration Number when ordering.

DO NOT quote Illustration Number when ordering.

DO NOT quote Illustration Number when ordering.

DO NOT quote Illustration Number when ordering.

DO NOT quote Illustration Number when ordering.

DO NOT quote Illustration Number when ordering.

DO NOT quote Illustration Number when ordering.

DO NOT quote Illustration Number when ordering.

DO NOT quote Illustration Number when ordering.

DO NOT quote Illustration Number when ordering.

DO NOT quote Illustration Number when ordering.

DO NOT quote Illustration Number when ordering.

DO NOT quote Illustration Number when ordering.

DO NOT quote Illustration Number when ordering.

DO NOT quote Illustration Number when ordering.

DO NOT quote Illustration Number when ordering.

DO NOT quote Illustration Number when ordering.

DO NOT quote Illustration Number when ordering.

DO NOT quote Illustration Number when ordering.

DO NOT quote Illustration Number when ordering.

DO NOT quote Illustration Number when ordering.

DO NOT quote Illustration Number when ordering.

DO NOT quote Illustration Number when ordering.

DO NOT quote Illustration Number when ordering.

DO NOT quote Illustration Number when ordering.

DO NOT quote Illustration Number when ordering.

DO NOT quote Illustration Number when ordering.

DO NOT quote Illustration Number when ordering.

DO NOT quote Illustration Number when ordering.

DO NOT quote Illustration Number when ordering.

DO NOT quote Illustration Number when ordering.

DO NOT quote Illustration Number when ordering.

DO NOT quote Illustration Number when ordering.

DO NOT quote Illustration Number when ordering.

DO NOT quote Illustration Number when ordering.

DO NOT quote Illustration Number when ordering.

DO NOT quote Illustration Number when ordering.

DO NOT quote Illustration Number when ordering.

DO NOT quote Illustration Number when ordering.

DO NOT quote Illustration Number when ordering.

DO NOT quote Illustration Number when ordering.

DO NOT quote Illustration Number when ordering.

DO NOT quote Illustration Number when ordering.

DO NOT quote Illustration Number when ordering.

DO NOT quote Illustration Number when ordering.

DO NOT quote Illustration Number when ordering.

DO NOT quote Illustration Number when ordering.

DO NOT quote Illustration Number when ordering.

DO NOT quote Illustration Number when ordering.

DO NOT quote Illustration Number when ordering.

DO NOT quote Illustration Number when ordering.

DO NOT quote Illustration Number when ordering.

DO NOT quote Illustration Number when ordering.

DO NOT quote Illustration Number when ordering.

DO NOT quote Illustration Number when ordering.

DO NOT quote Illustration Number when ordering.

DO NOT quote Illustration Number when ordering.

DO NOT quote Illustration Number when ordering.

DO NOT quote Illustration Number when ordering.

DO NOT quote Illustration Number when ordering.

DO NOT quote Illustration Number when ordering.

DO NOT quote Illustration Number when ordering.

DO NOT quote Illustration Number when ordering.

DO NOT quote Illustration Number when ordering.

DO NOT quote Illustration Number when ordering.

DO NOT quote Illustration Number when ordering.

DO NOT quote Illustration Number when ordering.

DO NOT quote Illustration Number when ordering.

DO NOT quote Illustration Number when ordering.

DO NOT quote Illustration Number when ordering.

DO NOT quote Illustration Number when ordering.

DO NOT quote Illustration Number when ordering.

DO NOT quote Illustration Number when ordering.

DO NOT quote Illustration Number when ordering.

DO NOT quote Illustration Number when ordering.

DO NOT quote Illustration Number when ordering.

DO NOT quote Illustration Number when ordering.

DO NOT quote Illustration Number when ordering.

DO NOT quote Illustration Number when ordering.

When ordering quote Part Number (not Illustration Number), Description and Model. For interchangeability of old part numbers see List for previous years.

Illustration Reference Number	Part No.	Description	Suitable for the Models Indicated SERIES "R"—see page 5.	Price £ s. d.	For Dealer's Use Only. Old Part No.
N.I.	MB3000	Pannier Tool Case with Fittings.	R2	8 0	K1011
290	MB3010	Tool Case with Fittings on Rear Stays (when electric light is fitted).	R4, 6, 8, 9	8 9	
290A	MB3015	Tool Case with Fittings on Seat Tube (non-electric light type).	R4, 6, 8, 9	8 9	
N.I.	MB3020	Pannier Tool Case, with Fittings.	R5, 12	6 0	F470
	MB3040	Pannier Tool Case only.	R2	6 3	K1012
290	MB3050	Tool Case only on Rear Stays (when electric light is fitted).	R4, 6, 8, 9	7 6	
290A	MB3055	Tool Case only on Seat Tube (non-electric light type).	R4, 6, 8, 9	7 6	
	MB3060	Pannier Tool Case only.	R5, 12	5 3	F471
	MB3080	Plate only, for Pannier Tool Case Fitting (Long).	R2	3	K1017
	MB3100	Plate only, for Pannier Tool Case Fitting (Long).	R5, 12	3	H973
	MA380	Pin for Plate for Pannier Tool Case Fitting, $\frac{1}{4} \times \frac{1}{4} \times 20$.	R2, 5, 12	2	K924
	ZB2720	Nut for Plate for Pannier Tool Case Fittings, $\frac{1}{4} \times 20 \times \frac{1}{8} \times \frac{1}{8}$.	R2, 5, 12	1	K110
	MA500	Washer for Plate for Pannier Tool Case Fitting, $\frac{1}{4}$ " Single Spring.	R2, 5, 12	1	F155
	ZB2730	Washer for Plate for Pannier Tool Case Fitting, $\frac{1}{4}$ " Plain.	R2, 5, 12	1	K111
	MB3290	Clip for Tool Case on Rear Stay.	R4, 6	3	
	MB3280	Clip for Tool Case on Rear Stay.	R8, 9	3	
	MB3300	Plate for Clip for Tool Case on Rear Stay.	R4, 6, 8, 9	3	
	MB3340	Wood Pad for Plate for Tool Case on Rear Stay (Thin).	R4, 6, 8, 9	2	
	MB3360	Wood Pad for Plate for Tool Case on Rear Stay (Thick).	R4, 6, 8, 9	2	
	MA420	Pin for Plate and Clip for Tool Case on Rear Stay, $\frac{1}{4} \times \frac{1}{4} \times 20$ (Bottom).	R4, 6, 8, 9	2	
	ZB2720	Nut for Plate and Clip for Tool Case on Rear Stay, $\frac{1}{4} \times 20 \times \frac{1}{8} \times \frac{1}{8}$.	R4, 6, 8, 9	1	K110
	ZB2730	Washer for Plate and Clip for Tool Case on Rear Stay, $\frac{1}{4}$ " Plain.	R4, 6, 8, 9	1	H134
	MB3380	Plate inside Tool Case on Seat Tube. <i>NOTE.—The Tool Case on Seat Tube is secured by using the Pin in Oil Tank less Washer.</i>	R4, 6, 8, 9	3	

When ordering quote Part Number (not Illustration Number), Description and Model. For interchangeability of old part numbers see List for previous years.

Illustration Reference Number	Part No.	Description	Suitable for the Models Indicated SERIES "R"—see page 5.	Price £ s. d.	For Dealer's Use Only. Old Part No.
		Tanks and Fittings.			
		<i>NOTE.—Speedometers are not fitted as standard on any models for 1930. See instructions on pages 5 referring to Chronometer Plated Parts.</i>			
	TB2	Petrol Tank less Fittings.	R2	4 12 0	
301	TB21	Petrol Tank less Fittings.	R4, 6	3 14 9	
	TB41	Petrol Tank less Fittings.	R8, 9	4 12 0	
	TB101	Petrol Tank less Fittings.	R5, 12	3 0 0	
	TB121	Rubber Pad for Tank Support (thick).	All Models	2	
	TB131	Rubber Pad for Tank Support (thin).	All Models	2	
N.I.	TB141	Stud for fixing Tank to Frame.	All Models	4	
	TB181	Petrol Filler Cap.	All Models	2 6	
	TB201	<i>NOTE.—Petrol Filler Cap can only be supplied with Anti-Splash Disc.</i> Cap for Speedometer well in Tank (when Speedometer is not fitted).	All Models	1 0	
	TB211	Rod for Cap for Speedometer Well (when Speedometer is not fitted).	All Models	3	
N.I.	RB2930	Spring for Rod for Speedometer Well when Speedometer is not fitted.	All Models	3	
	TB221	Securing Strap for Rod for Speedometer Well.	All Models	3	
303	TA240	Petrol Tap (Non Filter Type).	All Models	2 0	
N.I.	TA260	Washer for Petrol Tap (Flare).	All Models	1	
	TB301	Oil Tank less Fittings.	R2	1 5 0	
304	TB321	Oil Tank less Fittings.	R4, 6, 8, 9	1 5 0	
	TB381	Oil Tank less Fittings.	R5, 12	1 5 0	
305	TB381	Oil Tank Filler Cap.	All Models	1 0	
	TA140	<i>NOTE.—Oil Filler Cap can only be supplied complete with Anti-Splash Disc.</i> Pin for fixing Oil Tank, "O" BA x $\frac{1}{2}$.	R2, 5, 12	2	
	ZA8840	Pin for fixing Oil Tank, $\frac{1}{8} \times \frac{1}{4} \times 20$.	R4, 6, 8, 9	2	F350
N.I.	TB100	Washer for fixing Oil Tank (Dashed)	R2, 5, 12	1	
	ZA6040	Washer for fixing Oil Tank, $\frac{1}{8}$ " Single Spring.	R4, 6, 8, 9	1	H163

When ordering quote Part Number (not Illustration Number), Description and Model. For interchangeability of old part numbers see List for previous years.

Illustration Reference Number	Part No.	Description	Suitable for the Models indicated SERIES "R"—see page 5.	Price, £ s. d.	For Dealer's Use Only, Old Part No.
	TANKS AND FITTINGS—Continued.				
	TA440	Felt Pad for Oil Tank.	R2, 5, 12	1	
	TB451	Plate inside Guard for Oil Tank.	R2	3	
	TB455	Plate inside Guard for Oil Tank.	R5, 12	3	
N.I.	ZB6250	Drain Plug for Oil Tank.	R2, 5, 12	4	K286
	ZB6230	Washer for Drain Plug for Oil Tank (Small C & A).	R2, 5, 12	1	K287
	TA500	Knee Grip, R.H. (each)	R2, 4, 6, 8, 9	2 0	
	TB501	Knee Grip, L.H. (each)	R2, 4, 6, 8, 9	2 0	
	TA520	Knee Grip, R.H. (each)	R5, 12	2 0	
	TB521	Knee Grip, L.H. (each)	R5, 12	2 0	
	TA540	Plates for Knee Grips.	R2, 4, 6, 8, 9	6	
	TA560	Plates for Knee Grips.	R5, 12	6	
N.I.	TB565	Pin for Plates for Knee Grips, $\frac{1}{8} \times \frac{1}{2} \times 28$.	All Models	2	

DO NOT quote Illustration Number when ordering.

When ordering quote Part Number (not Illustration Number), Description and Model. For interchangeability of old part numbers see List for previous years.

Illustration Reference Number	Part No.	Description	Suitable for the Models indicated SERIES "R"—see page 5.	Price, £ s. d.	For Dealer's Use Only, Old Part No.
	Petrol & Oil Pipes.				
	<i>NOTE.—See instructions on page 5 referring to Chromium Plated Parts.</i>				
	<i>NOTE.—Owing to alterations it is advisable to send orders when ordering parts in this section.</i>				
	TB601	Petrol Pipe from Tank to Carburettor with Nipples and Unions.	R2	6 3	
	TB621	Petrol Pipe from Tank to Carburettor with Nipples and Unions.	R4	4 9	
	TB622	Petrol Pipe from Tank to Carburettor with Nipples and Unions.	R5	4 9	
	TB623	Petrol Pipe from Tank to Carburettor with Nipples and Unions.	R6	4 9	
	TB641	Petrol Pipe from Tank to Carburettor with Nipples and Unions.	R8	4 9	
	TB642	Petrol Pipe from Tank to Carburettor with Nipples and Unions.	R9	4 9	
	TB651	Petrol Pipe from Tank to Carburettor with Nipples and Unions.	R12	3 9	
	TA680	"U" Pipe, connecting Tank Halves, with Nipples and Unions.	R2, 5, 12	3 6	
	TA700	"U" Pipe, connecting Tank Halves, with Nipples and Unions.	R4, 6	3 6	
	TA720	"U" Pipe, connecting Tank Halves, with Nipples and Unions.	R8, 9	3 6	
	TA740	Nipple only $\frac{1}{4}$ ".	All Models	4	
	TA760	Union Nut only $\frac{1}{4}$ ".	All Models	5	
	TA780	Banjo for Petrol "U" Pipe.	All Models	11	
	TA800	Domed Nut for Banjo.	All Models	6	
	TA260	Filter Washer for Banjo.	All Models	1	
	TA840	Oil Pipe from Tank to Pump, with Nipple and Union (Long)	R2	6 0	
	TB841	Oil Pipe from Tank to Pump, with Nipple and Union (Long)	R5, 12	6 0	
	TA850	Oil Pipe from Tank to Pump, with Nipple and Union (Short).	R2	5 3	
	TA861	Oil Pipe from Tank to Pump, with Nipple and Union (Short).	R5, 12	5 3	
	TB862	Oil Pipe from Tank to Pump, with Nipple and Union (Tank End, Long).	R4, 6	1 3	
	TB863	Oil Pipe from Tank to Pump, with Nipple and Union (Tank End, Long).	R8, 9	1 3	
	TB864	Oil Pipe from Tank to Pump, with Nipple and Union (Tank End, Short).	R4, 6	1 3	
	TB865	Oil Pipe from Tank to Pump, with Nipple and Union (Tank End, Short).	R8, 9	1 3	
	TB870	Oil Pipe from Tank to Pump, with Nipple and Union (Pump End, Long).	R4, 6	1 3	

DO NOT quote Illustration Number when ordering.

When ordering quote Part Number (not Illustration Number), Description and Model. For interchangeability of old part numbers see List for previous years.

Illustration Reference Number	Part No.	Description	Suitable for the Models indicated SERIES "R" see page 5.	Price, £ s. d.	For Dealer's Use Only, Old Part No.
310	TB885	PETROL & OIL PIPES—Continued. Oil Pipe from Tank to Pump, with Nipple and Union (Pump End, Long).	R8, 9	1 3	
	TB871	Oil Pipe from Tank to Pump, with Nipple and Union (Pump End, Short).	R4, 6	1 3	
	TB872	Oil Pipe from Tank to Pump, with Nipple and Union (Pump End, Short).	R8, 9	1 3	
	TA880	Rubber Connection for Oil Pipes	All Models	8	
311	TA800	Oil Delivery Pipe from Pump to Driving Side of Engine, with Nipples and Unions.	R2	7 0	
	TB921	Oil Delivery Pipe from Pump to Driving Side of Engine, with Nipples and Unions.	R4, 6	7 0	
	TB941	Oil Delivery Pipe from Pump to Driving Side of Engine, with Nipples and Unions.	R8, 9	7 0	
	TB922	Oil Delivery Pipe from Pump to Driving Side of Engine, with Nipples and Unions.	R5	7 0	
	TB961	Oil Delivery Pipe from Pump to Driving Side of Engine, with Nipples and Unions.	R12	7 0	
	TA880	Banjo for Oil Pipes.	R2, 5, 12	11	
	TA1000	Banjo Pin, Driving Side, 26 thread.	R2, 5, 12	8†	
	TA1000	Pin for Oil Sump Connection.	All Models.	8†	
	TA1020	Banjo Pin, Turning Side, 20 thread.	R2, 5, 12	8†	
	TB1021	Oil Banjo Body.	R2, 5, 12	1 3	
312	TA740	Nipple only, 1".	All Models	4	
	TA1050	Nipple only, 1".	All Models.	4	
	TA760	Union Nut only, 1".	All Models	5	
	TA1060	Union Nut only, 1".	All Models.	5	
	ZA6140	Screwed Connection for Oil Delivery Pipe.	All Models	10	
	TA260	Washer for Screwed Connection for Oil Delivery Pipe (Fibre).	All Models	2	
	TB1071	Timing Side Release Pipe from Magneto Chain Cover, with Nipples and Unions.	All Models	1 6	
	TB1075	Oil Release Pipe with Nipple and Union.	R2	2 0	ZA6060
	TB1079	Oil Release Pipe with Nipple and Union.	R4, 6	2 0	ZB6061
	TB1086	Oil Release Pipe with Nipple and Union.	R8, 9	2 0	ZB6062
313	TB1095	Oil Release Pipe with Nipple and Union.	R5, 12	2 0	ZA6070
	TB1101	Oil Sump Connection, complete with Filter.	All Models	2 6†	
	TB1110	Oil Tank Connection, complete with Filter.	R2, 5, 12	2 6†	

N.I.

When ordering quote Part Number (not Illustration Number), Description and Model. For interchangeability of old part numbers see List for previous years.

Illustration Reference Number	Part No.	Description	Suitable for the Models indicated SERIES "R" see page 5.	Price, £ s. d.	For Dealer's Use Only, Old Part No.
N.I.	TB1115	PETROL & OIL PIPES—Continued. Oil Tank Connection, complete with Filter.	R4, 6, 8, 9	2 6†	
	TA1120	Filter only for Oil Tank and Sump.	All Models	10†	
	TB1125	Chain Drip Feed Pipe from Oil Tank.	R2	3 9	
	TB1130	Chain Drip Feed Pipe from Oil Tank.	R4, 6, 8, 9	2 6	
	TB1131	Chain Drip Feed Pipe from Oil Tank.	R5, 12	2 6	
	TB1135	Needle Valve Tap in Oil Tank for above.	R4, 5, 6, 8, 9, 12	2 0	
	TB1141	Suction Oil Pipe from Crankcase to Pump.	R2	2 0	
	TB1151	Suction Oil Pipe from Crankcase to Pump.	R4, 6	2 3	
	TB1161	Suction Oil Pipe from Crankcase to Pump.	R8, 9	2 3	
	TB1171	Suction Oil Pipe from Crankcase to Pump.	R5, 12	2 3	
DO NOT quote Illustration Number when ordering.					
Speedometers.					
NOTE.—The following Speedometers apply to Models 5, 8, 9, 12, 13, 14, 15, 16, 17, 18, 19, 20, 21, 22, 23, 24, 25, 26, 27, 28, 29, 30, 31, 32, 33, 34, 35, 36, 37, 38, 39, 40, 41, 42, 43, 44, 45, 46, 47, 48, 49, 50, 51, 52, 53, 54, 55, 56, 57, 58, 59, 60, 61, 62, 63, 64, 65, 66, 67, 68, 69, 70, 71, 72, 73, 74, 75, 76, 77, 78, 79, 80, 81, 82, 83, 84, 85, 86, 87, 88, 89, 90, 91, 92, 93, 94, 95, 96, 97, 98, 99, 100, 101, 102, 103, 104, 105, 106, 107, 108, 109, 110, 111, 112, 113, 114, 115, 116, 117, 118, 119, 120, 121, 122, 123, 124, 125, 126, 127, 128, 129, 130, 131, 132, 133, 134, 135, 136, 137, 138, 139, 140, 141, 142, 143, 144, 145, 146, 147, 148, 149, 150, 151, 152, 153, 154, 155, 156, 157, 158, 159, 160, 161, 162, 163, 164, 165, 166, 167, 168, 169, 170, 171, 172, 173, 174, 175, 176, 177, 178, 179, 180, 181, 182, 183, 184, 185, 186, 187, 188, 189, 190, 191, 192, 193, 194, 195, 196, 197, 198, 199, 200, 201, 202, 203, 204, 205, 206, 207, 208, 209, 210, 211, 212, 213, 214, 215, 216, 217, 218, 219, 220, 221, 222, 223, 224, 225, 226, 227, 228, 229, 230, 231, 232, 233, 234, 235, 236, 237, 238, 239, 240, 241, 242, 243, 244, 245, 246, 247, 248, 249, 250, 251, 252, 253, 254, 255, 256, 257, 258, 259, 260, 261, 262, 263, 264, 265, 266, 267, 268, 269, 270, 271, 272, 273, 274, 275, 276, 277, 278, 279, 280, 281, 282, 283, 284, 285, 286, 287, 288, 289, 290, 291, 292, 293, 294, 295, 296, 297, 298, 299, 300, 301, 302, 303, 304, 305, 306, 307, 308, 309, 310, 311, 312, 313, 314, 315, 316, 317, 318, 319, 320, 321, 322, 323, 324, 325, 326, 327, 328, 329, 330, 331, 332, 333, 334, 335, 336, 337, 338, 339, 340, 341, 342, 343, 344, 345, 346, 347, 348, 349, 350, 351, 352, 353, 354, 355, 356, 357, 358, 359, 360, 361, 362, 363, 364, 365, 366, 367, 368, 369, 370, 371, 372, 373, 374, 375, 376, 377, 378, 379, 380, 381, 382, 383, 384, 385, 386, 387, 388, 389, 390, 391, 392, 393, 394, 395, 396, 397, 398, 399, 400, 401, 402, 403, 404, 405, 406, 407, 408, 409, 410, 411, 412, 413, 414, 415, 416, 417, 418, 419, 420, 421, 422, 423, 424, 425, 426, 427, 428, 429, 430, 431, 432, 433, 434, 435, 436, 437, 438, 439, 440, 441, 442, 443, 444, 445, 446, 447, 448, 449, 450, 451, 452, 453, 454, 455, 456, 457, 458, 459, 460, 461, 462, 463, 464, 465, 466, 467, 468, 469, 470, 471, 472, 473, 474, 475, 476, 477, 478, 479, 480, 481, 482, 483, 484, 485, 486, 487, 488, 489, 490, 491, 492, 493, 494, 495, 496, 497, 498, 499, 500, 501, 502, 503, 504, 505, 506, 507, 508, 509, 510, 511, 512, 513, 514, 515, 516, 517, 518, 519, 520, 521, 522, 523, 524, 525, 526, 527, 528, 529, 530, 531, 532, 533, 534, 535, 536, 537, 538, 539, 540, 541, 542, 543, 544, 545, 546, 547, 548, 549, 550, 551, 552, 553, 554, 555, 556, 557, 558, 559, 560, 561, 562, 563, 564, 565, 566, 567, 568, 569, 570, 571, 572, 573, 574, 575, 576, 577, 578, 579, 580, 581, 582, 583, 584, 585, 586, 587, 588, 589, 590, 591, 592, 593, 594, 595, 596, 597, 598, 599, 600, 601, 602, 603, 604, 605, 606, 607, 608, 609, 610, 611, 612, 613, 614, 615, 616, 617, 618, 619, 620, 621, 622, 623, 624, 625, 626, 627, 628, 629, 630, 631, 632, 633, 634, 635, 636, 637, 638, 639, 640, 641, 642, 643, 644, 645, 646, 647, 648, 649, 650, 651, 652, 653, 654, 655, 656, 657, 658, 659, 660, 661, 662, 663, 664, 665, 666, 667, 668, 669, 670, 671, 672, 673, 674, 675, 676, 677, 678, 679, 680, 681, 682, 683, 684, 685, 686, 687, 688, 689, 690, 691, 692, 693, 694, 695, 696, 697, 698, 699, 700, 701, 702, 703, 704, 705, 706, 707, 708, 709, 710, 711, 712, 713, 714, 715, 716, 717, 718, 719, 720, 721, 722, 723, 724, 725, 726, 727, 728, 729, 730, 731, 732, 733, 734, 735, 736, 737, 738, 739, 740, 741, 742, 743, 744, 745, 746, 747, 748, 749, 750, 751, 752, 753, 754, 755, 756, 757, 758, 759, 760, 761, 762, 763, 764, 765, 766, 767, 768, 769, 770, 771, 772, 773, 774, 775, 776, 777, 778, 779, 780, 781, 782, 783, 784, 785, 786, 787, 788, 789, 790, 791, 792, 793, 794, 795, 796, 797, 798, 799, 800, 801, 802, 803, 804, 805, 806, 807, 808, 809, 810, 811, 812, 813, 814, 815, 816, 817, 818, 819, 820, 821, 822, 823, 824, 825, 826, 827, 828, 829, 830, 831, 832, 833, 834, 835, 836, 837, 838, 839, 840, 841, 842, 843, 844, 845, 846, 847, 848, 849, 850, 851, 852, 853, 854, 855, 856, 857, 858, 859, 860, 861, 862, 863, 864, 865, 866, 867, 868, 869, 870, 871, 872, 873, 874, 875, 876, 877, 878, 879, 880, 881, 882, 883, 884, 885, 886, 887, 888, 889, 890, 891, 892, 893, 894, 895, 896, 897, 898, 899, 900, 901, 902, 903, 904, 905, 906, 907, 908, 909, 910, 911, 912, 913, 914, 915, 916, 917, 918, 919, 920, 921, 922, 923, 924, 925, 926, 927, 928, 929, 930, 931, 932, 933, 934, 935, 936, 937, 938, 939, 940, 941, 942, 943, 944, 945, 946, 947, 948, 949, 950, 951, 952, 953, 954, 955, 956, 957, 958, 959, 960, 961, 962, 963, 964, 965, 966, 967, 968, 969, 970, 971, 972, 973, 974, 975, 976, 977, 978, 979, 980, 981, 982, 983, 984, 985, 986, 987, 988, 989, 990, 991, 992, 993, 994, 995, 996, 997, 998, 999, 1000.					
See instructions on page 5 referring to Chronium Fitted Parts.					
TB1201	Speedometer complete, with Cable and Gearbox (Trip Type).	R2	2 5 0†		
TB1211	Speedometer complete, with Cable and Gearbox (Trip Type).	R4, 6	2 5 0†		
TB1221	Speedometer complete, with Cable and Gearbox (Trip Type).	R8, 9	2 5 0†		
TB1231	Speedometer complete, with Cable and Gearbox (Trip Type).	R5, 12	2 5 0†		
TB1261	Speedometer complete, with Cable and Gearbox (Non Trip Type).	R2	2 0 0†		
TB1271	Speedometer complete, with Cable and Gearbox (Non Trip Type).	R4, 6	2 0 0†		
TB1281	Speedometer complete, with Cable and Gearbox (Non Trip Type).	R8, 9	2 0 0†		

When ordering quote Part Number (not Illustration Number), Description and Model. For interchangeability of old part numbers see List for previous years.

Illustration Reference Number.	Part No.	Description.	Suitable for the Models indicated SERIES "R" see page 5.	Price, £ s. d.	For Dealer's Use Only. Old Part No.
N.I.	TB1291	SPEEDOMETERS—Continued. Speedometer complete, with Cable and Gearbox (Non Trip Type).	R5, 12	2 0 0†	
	TB1321	Speedometer Dial only (Trip Type).	All Models	1 10 0†	
	TB1341	Speedometer Dial only (Non Trip Type).	All Models	1 5 0†	
	TB1361	Gearbox complete.	R2, 8, 9	7 6	
	TB1365	Gearbox complete.	R4, 6	7 6	
	TB1371	Gearbox complete.	R5, 12	7 6	
	TB1381	Aluminium Speedometer Drive Casing.	R2, 8, 9	2 6	
	TB1382	Aluminium Speedometer Drive Casing.	R4, 6	2 6	
	TB1383	Casing for Speedometer Pinion.	R5, 12	2 6	
	TB1385	Speedometer Pinion, 20 Teeth.	R2, 8, 9	2 6	
TB1386	Speedometer Pinion, 24 Teeth.	R4, 6	2 6		
TB1387	Speedometer Pinion, 23 Teeth.	R5, 12	2 6		
TB1391	Spindle for Speedometer Drive.	All Models	1 3		
TB1394	Speedometer Connection Bush.	All Models	1 6		
TB1397	Speedometer Connection End Bush.	All Models	8		
TB1401	Speedometer Connection End Washer.	All Models	1		
TB1404	Speedometer Bush Fixing Screw.	All Models	1		
TB1407	Pin for coupling Pinion to Speedometer Pinion.	All Models	6d. doz.		
TB1411	Cover Plate (used when Speedometer is left off).	R2, 4, 6, 8, 9	3		
TB1412	Cover Plate (used when Speedometer is left off).	R5, 12	3		
TB1416	Speedometer Casing Fixing Screw.	R2, 5, 8, 9, 12	1		
TB1417	Speedometer Casing Fixing Screw.	R4, 6	1		
YB524	Casing Fixing Screw Washer.	All Models	1		
TB1415	Fixing Screw for Cover Plate.	All Models	1		
TB1441	Outer Cable, 3-ft. long.	R2	6 6†		
TB1461	Outer Cable, 2-ft. 9-in. long.	R4, 5, 6, 8, 9, 12	6 6†		
TB1481	Inner Cable.	R2	6 6†		

When ordering quote Part Number (not Illustration Number), Description and Model. For interchangeability of old part numbers see List for previous years.

Illustration Reference Number.	Part No.	Description.	Suitable for the Models indicated SERIES "R" see page 5.	Price, £ s. d.	For Dealer's Use Only. Old Part No.
N.I.	TB1501	Inner Cable.	R4, 5, 6, 8, 9, 12	6 6	
	TB1521	Speedometer Rod with Nut and Washer to fix Speedometer in Tank.	All Models.	4	
NOTE.—Glasses and Fittings cannot be supplied new for Units. The instrument must be sent to the Makers for repair.					
Twist Grip Control Parts					
NOTE.—Twist Grip is fitted as standard to all Models for Export, and to all Models for Home, except R2, R5 and R12. It can be fitted as an extra to R2, R5 and R12 if desired.					
N.I.	TB1615	Twist Grip Control, less Cable.	All Models	11 0†	K1150
316	TB1620	Rubber Grip only (R.H.)	All Models	2 0†	K1151
317	TB1640	Rubber Grip only (L.H.)	All Models	2 0†	K1152
N.I.	TB1660	Inner Control Sleeve.	All Models	1 7†	K1153
318	TB1680	Outer Control Sleeve.	All Models	1 6†	K1154
319	TB1700	Loose Collar.	All Models	2 6†	K1155
N.I.	TB1720	Flat Friction Spring.	All Models	2†	K1156
	TB1740	Slider.	All Models	6†	K1157
320	TB1760	End Clip, Inner, R.H.	All Models	1 9†	K1158
	TB1770	End Clip, Inner, L.H.	All Models	1 9†	
321	TA1800	End Clip, Outer, R.H.	All Models	1 9†	
	TA1805	End Clip, Outer, L.H.	All Models	1 9†	
N.I.	TB1800	End Clip, Outer (push on type).	All Models	6†	K1159
322	TB1810	Pin for End Clip.	All Models	4†	
N.I.	TB1820	Spring Steel Collar.	All Models	6†	K1160

DO NOT quote Illustration Number when ordering.

When ordering quote Part Number (not Illustration Number), Description and Model. For interchangeability of old part numbers see List for previous years.

Illustration Reference Number.	Part No.	Description.	Suitable for the Models indicated SERIES "R" see page 5.	Price. £ s. d.	For Dealer's Use Only. Old Part No.
323	TB1830	Clutch Control Lever complete.	R2	8 6†	K1071
	TB1840	Clutch Control Lever complete.	R4, 5, 6, 8, 9, 12	8 6†	H1034
324	TB1850	Clutch Control Lever only.	R2	4 6†	K1072
	TB1860	Clutch Control Lever only	R4, 5, 6, 8, 9, 12	4 6†	H1035
325	TB1870	Base and Clip complete for Clutch Control Lever.	All Models	4 0†	K1073
326	TB1880	Half Clip only for Clutch Control Lever.	All Models	8†	K1074
327	TB1890	Pin only for Half Clip for Clutch Control Lever (Plated).	All Models	5†	K1075
N.I.	TB1900	Large Headed Pin for Clutch Control Lever.	All Models	5†	K1076
	TB1910	Washer for Clutch Control Lever (Plated) "D" Plain.	All Models	4†	K1077
323	TB1920	Exhaust Lifter Lever complete.	R2	8 0†	K1078
324	TB1930	Exhaust Lifter Lever only.	R2	4 6†	K1079
325	TB1940	Base and Clip for Exhaust Lifter Lever.	R2	4 0†	K1080
326	TB1950	Half Clip only for Exhaust Lifter Lever.	R2	8†	K1074
327	TB1960	Pin only for Half Clip for Exhaust Lifter Lever (Plated).	R2	5†	K1075
N.I.	TB1970	Large Headed Pin for Exhaust Lifter Lever.	R2	5†	K1076
	TB1980	Washer for Exhaust Lifter Lever (Plated) "D" Plain.	R2	4†	K1077
328	TB1960	Inverted Lever complete, less Cables.	R4, 5, 6, 8, 9, 12	4 0†	H1028-1
329	TB1970	Inverted Lever only.	R4, 5, 6, 8, 9, 12	3 0†	H1029-1
300	TB1980	Pin for Inverted Lever, $\frac{3}{8} \times \frac{11}{16} \times 26$.	R4, 5, 6, 8, 9, 12	3†	H1030
N.I.	TA2000	Nut for Inverted Lever, $\frac{3}{8} \times 26 \times \frac{1}{4} \times \frac{1}{4}$.	R4, 5, 6, 8, 9, 12	2†	H1030-1
331	TB2020	Control Body only in Handfliebar.	R4, 5, 6, 8, 9, 12	1 3†	H1031
N.I.	WA1550	Pin for fixing Control Body in Handfliebar, $\frac{3}{8} \times \frac{1}{4} \times 24$ Screwed Head.	R4, 5, 6, 8, 9, 12	1†	H413
332	TB2060	Magneto Control Lever complete.	All Models	5 3†	K1082

DO NOT quote Illustration Number when ordering.

When ordering quote Part Number (not Illustration Number), Description and Model. For interchangeability of old part numbers see List for previous years.

Illustration Reference Number.	Part No.	Description.	Suitable for the Models indicated SERIES "R" see page 5.	Price. £ s. d.	For Dealer's Use Only. Old Part No.
333	TB2080	CONTROL LEVERS & PARTS—Continued. Base Clip for Magneto Control Lever.	All Models	1 6†	K1083
	TB2100	Clip Pin for Magneto Control Lever.	All Models	4†	K1084
334	TB2120	Centre Pin for Magneto Control Lever.	All Models	3†	K1085
335	TB2140	Top Plate for Magneto Control Lever.	All Models	6†	K1086
336	TB2160	Lever only.	All Models	2 9†	K1089
337	TB2180	Flat Spring Washer.	All Models	3†	K1091
N.I.	TB2200	Fibre Friction Washer.	All Models.	3†	K1092

DO NOT quote Illustration Number when ordering.

When ordering quote Part Number (not Illustration Number), Description and Model. For interchangeability of old part numbers see List for previous years.

Illustration Reference Number.	Part No.	Description.	Suitable for the Models Indicated SERIES "R",— see page 5.	Price, £ s. d.	For Dealer's Use Only, Old Part No.
		Control Cables.			
		<i>NOTE.—These lengths are correct for soldering.</i>			
338	TB2301	Valve Lifter Control Cable complete.	R2	4 3†	
	TB2321	Valve Lifter Control Cable complete.	R4, 6, 8, 9	3 9†	
	TB2331	Valve Lifter Control Cable complete.	R5, 12	4 3†	
339	TB2341	Valve Lifter Control Inner Wire, 3' 11½".	R2	9†	
	TB2361	Valve Lifter Control Inner Wire, 4' 0½".	R4, 6, 8, 9	9†	
	TB2371	Valve Lifter Control Inner Wire, 4' 4½".	R5, 12	10†	
340	TB2380	Valve Lifter Control Outer Casing, 3' 8".	R2, 4, 6, 8, 9	2 6†	K1171
	TB2400	Valve Lifter Control Outer Casing, 4' 0".	R5, 12	2 9†	H1116
	TB2420	Nipple only for Inner Wire.	R2	2†	K1174
N.I.	TB2440	Nipple only for Inner Wire.	R4, 5, 6, 8, 9, 12	2†	H1117
	TB2460	Shackle for Valve Lifter Control.	R2	4†	K1172
	TA2860	Plain Pin for Shackle for Valve Lifter Control, ⅜ × ⅜ × ⅜ head.	R2	1†	K1173
DO NOT quote Illustration Number when ordering.	TA2500	Cotter for Shackle for Valve Lifter Control.	R2	1†	
	TB2521	Front Brake Control Cable complete.	R2	4 9†	
	TB2541	Front Brake Control Cable complete.	R4, 6	3 6†	
341	*TB2542	Front Brake Control Cable complete.	R4, 6	3 6†	
	TB2561	Front Brake Control Cable complete.	R8, 9	3 6†	
	*TB2562	Front Brake Control Cable complete.	R8, 9	3 6	
N.I.	TB2581	Front Brake Control Cable complete.	R5, 12	3 9†	
	*TB2582	Front Brake Control Cable complete.	R5, 12	3 9†	
	TB2601	Front Brake Control Cable Inner Wire, 3' 6½".	R2	8†	
N.I.	TB2621	Front Brake Control Cable Inner Wire, 3' 9½".	R4, 6	9†	
	*TB2622	Front Brake Control Cable Inner Wire, 4' 2½".	R4, 6	9†	
	TB2641	Front Brake Control Cable Inner Wire, 3' 10½".	R8, 9	9†	
		<i>*These numbers refer to R.H. Handlifer Controls.</i>			

When ordering quote Part Number (not Illustration Number), Description and Model. For interchangeability of old part numbers see List for previous years.

Illustration Reference Number.	Part No.	Description.	Suitable for the Models Indicated SERIES "R",— see page 5.	Price, £ s. d.	For Dealer's Use Only, Old Part No.
		CONTROL CABLES—Continued.			
N.I.	*TB2642	Front Brake Control Cable Inner Wire, 4' 2½".	R8, 9	9†	
	TB2661	Front Brake Control Cable Inner Wire, 5' 7½".	R5, 12	7†	
	*TB2662	Front Brake Control Cable Inner Wire, 4' 9½".	R5, 12	7†	
342	TB2681	Front Brake Control Outer Casing, 3' 7".	R2	2 5†	
	TB2701	Front Brake Control Outer Casing, 1' 3½".	R4, 6, 8, 9	1 0†	
	*TB2702	Front Brake Control Outer Casing, 1' 8".	R4, 6, 8, 9	1 0†	
DO NOT quote Illustration Number when ordering.	TB2741	Front Brake Control Outer Casing, 2' 3".	R5, 12	1 8†	
	*TB2742	Front Brake Control Outer Casing, 2' 5".	R5, 12	1 8†	
		<i>*These numbers refer to R.H. Handlifer Controls.</i>			
N.I.	TB2760	Plain Stop for Front Brake Control Outer Casing.	R2	6†	K1179
	TB2780	Shackles for Front Brake Control.	R2	5†	K1180
	TB2800	Plain Pin for Shackles for Front Brake Control, ½ × ½ × ½.	R2	1†	K1181
N.I.	TA2500	Cotter for Shackle for Front Brake Control.	R2	1†	
	TB2820	Nipple for Wheel end of Cable.	R4, 5, 6, 8, 9, 12	3†	
	TB2841	Shackle for Front Brake Control.	R4, 5, 6, 8, 9, 12	8†	
350	TA2860	Plain Pin for Shackle for Front Brake Control, ⅜ × ⅜ × ⅜.	R4, 5, 6, 8, 9, 12	1†	K1173
	TA2560	Cotter for Shackle for Front Brake Control.	R4, 5, 6, 8, 9, 12	1†	
	TB2901	Clutch Control Cable complete.	R2	5 6†	
N.I.	TB2921	Clutch Control Cable complete.	R4, 6, 8, 9	4 9†	
	TB2961	Clutch Control Cable complete.	R5, 12	4 3†	
	TB2981	Clutch Control Cable Inner Wire, 5' 0½".	R2	1 3†	
351	TB3020	Clutch Control Cable Inner Wire, 4' 7½".	R4, 6, 8, 9	1 0†	
	TB3041	Clutch Control Cable Inner Wire, 4' 1½".	R5, 12	10†	
	TB3061	Clutch Control Cable Outer Casing, 4' 8".	R2	3 6†	
352	TB3081	Clutch Control Cable Outer Casing, 4' 2".	R4, 6, 8, 9	3 0†	
	TB3121	Clutch Control Cable Outer Casing, 3' 10".	R5, 12	2 9†	
	TB2420	Nipple only for Inner Wire.	All Models	2†	K1174

When ordering quote Part Number (not Illustration Number), Description and Model. For interchangeability of old part numbers see List for previous years.

Illustration Reference Number	Part No.	Description	Suitable for the Models indicated SERIES "R" - see page 5.	Price, £ s. d.	For Dealer's Use Only, Old Part No.
353	TB3161	Magneto Control Cable complete.	R2	3 3 ⁺	
	TB3181	Magneto Control Cable complete.	R4, 6, 8, 9	3 9 ⁺	
	TB3201	Magneto Control Cable complete.	R5, 12	3 3 ⁺	
354	TB3221	Magneto Control Cable Inner Wire, 3' 3".	R2, 5, 12	9 ⁺	
	TB3241	Magneto Control Cable Inner Wire, 4' 0".	R4, 6, 8, 9	10 ⁺	
355	TB3281	Magneto Control Cable Outer Casing, 2' 11".	R2, 5, 12	1 10 ⁺	
	TB3301	Magneto Control Cable Outer Casing, 3' 8".	R4, 6, 8, 9	2 3 ⁺	
N.I.	TB2420	Nipple only for Inner Wire.	All Models	2 ⁺	K1174
353	TB3381	Maglyno Control Cable complete.	R2, 5, 12	3 3 ⁺	
	TB3401	Maglyno Control Cable complete.	R4, 6, 8, 9	4 3 ⁺	
354	TB3441	Maglyno Control Cable Inner Wire, 3' 5 1/2".	R2, 5, 12	9 ⁺	
	TB3461	Maglyno Control Cable Inner Wire, 4' 4".	R4, 6, 8, 9	11 ⁺	
355	TB3501	Maglyno Control Cable Outer Casing, 3' 1 1/2".	R2, 5, 12	1 10 ⁺	
	TB3521	Maglyno Control Cable Outer Casing, 4' 0".	R4, 6, 8, 9	2 9 ⁺	
N.I.	TB3561	Carburettor Control Cable complete for Twist Grip.	R2	5 0 ⁺	
	TB3581	Carburettor Control Cable complete for Twist Grip.	R4, 6, 8, 9	5 0 ⁺	
N.I.	TB3621	Carburettor Control Cable complete for Twist Grip.	R5, 12	5 0 ⁺	
	TB3641	Handlebar Carburettor Control Cables, complete with Adjusters.	R2	10 0 ⁺	
N.I.	TB3681	Handlebar Carburettor Control Cables, complete with Adjusters.	R4, 6, 8, 9	10 0 ⁺	
	TB3701	Handlebar Carburettor Control Cables, complete with Adjusters.	R5, 12	10 0 ⁺	
348	TB3721	Bowden Adjuster for Clutch and Valve Lifter Cables (Plated).	All Models	1 0 ⁺	
	TB3731	Knurled Locknut for Bowden Adjuster (Plated).	All Models	4 ⁺	
349	TA3740	Bowden Adjuster for Magneto Control Cable (Plated), 1/4 x 1/8 x 26.	All Models	5 ⁺	H644-1
348	WA2145	Locknut for Bowden Adjuster (Plated), 1/4 x 26 x 1/4 x 1/4.	All Models	2 ⁺	
	WA2120	Bowden Adjuster for Front Brake Cable (Plated), 1/4 x 1/8 x 26.	R5, 12	5 ⁺	
N.I.	WA2145	Locknut for above Adjuster (Plated), 1/4 x 26 x 1/4 x 1/4.	R5, 12	2 ⁺	

When ordering quote Part Number (not Illustration Number), Description and Model. For interchangeability of old part numbers see List for previous years.

Illustration Reference Number	Part No.	Description	Suitable for the Models indicated SERIES "R" - see page 5.	Price, £ s. d.	For Dealer's Use Only, Old Part No.
356	XB41	Chaincase, complete with Fittings.	R2	1 8 0	
	XB61	Chaincase, complete with Fittings.	R4, 6	1 3 6	
	XB101	Chaincase, complete with Fittings.	R8, 9	1 10 0	
	XB161	Chaincase, complete with Fittings.	R5, 12	1 6 6	
	XB201	Front Portion of Chaincase, less Fittings.	R2	16 0	
	XB221	Front Portion of Chaincase, less Fittings.	R4, 6	16 0	
	XB261	Front Portion of Chaincase less Fittings.	R8, 9	16 0	
	XB321	Front Portion of Chaincase, less Fittings.	R5, 12	15 0	
	XB341	Inspection Plate on Chaincase.	All Models	4	
	XB401	Pin for Inspection Plate on Chaincase, 1/8 x 1/2 x 26. Cheese Head.	All Models	2	
N.I.	ZB2730	Washer for Pin for Inspection Plate, 1/4 Plain.	All Models	1	H134
	XB421	Inflator Stud on Chaincase, 1/4 x 26.	R4, 5, 6, 8, 9	0	
N.I.	YB2163	Nut for Inflator Stud on Chaincase, 1/4 x 26 x 1/4 x 1/4.	R4, 5, 6, 8, 9	2	
	XB561	Rear Portion of Chainguard.	R2	0 6	
N.I.	XB581	Rear Portion of Chainguard.	R4, 6	9 6	
	XB601	Rear Portion of Chainguard.	R8, 9	11 6	
N.I.	XB641	Rear Portion of Chainguard.	R5, 12	8 6	
	XA700	Distance Bolt in Crankcase for Chaincase, 3/4 x 1/4 x 28.	R2, 5, 12	6	
N.I.	XB701	Distance Bolt in Crankcase for Chaincase, 3/4 x 1/4 x 26.	R4, 6, 8, 9	0	
	XB780	Distance Spool for Chaincase.	All Models	4	G285
N.I.	ZB5540	Nut for Distance Bolt for Chaincase, 1/2 x 26 x 1/4 x 1/4.	All Models	2	H290
	RA740	Washer for Nut for Distance Bolt for Chaincase, 1/2 Double Spring.	All Models	0	
N.I.	ZA6840	Pin for Lug on Chainstay for Chaincase, 1/8 x 1/4 x 20.	All Models	2	F820
	ZA6020	Nut for Pin for Lug on Chaincase, 1/8 x 20 x 1/4 x 1/4.	All Models	1	H320

When ordering quote Part Number (not Illustration Number), Description and Model. For interchangeability of old part numbers see List for previous years.

Illustration Reference Number.	Part No.	Description.	Suitable for the Models indicated SERIES "R" - see page 5.	Price, £ s. d.	For Dealer's Use Only. Old Part No.
N.I.	ZA6040	Washer for above Nut, $\frac{3}{8}$ " Single Spring.	All Models	1	H163
	RA2380	Pin for fixing Rear Portion of Chainward to Anchor Plate, $\frac{1}{4}$ " \times $\frac{1}{4}$ " \times 20.	All Models	2	
	ZB2730	Washer for above Pin, $\frac{1}{4}$ " Plain.	All Models	1	H134

Legshields.

NOTE.—For 1930 Machines, Legshields can be supplied only to special order. When ordering state model, and whether fitted with Footrests or Footboards.

DO NOT quote Illustration Number when ordering.

When ordering quote Part Number (not Illustration Number), Description and Model. For interchangeability of old part numbers see List for previous years.

Illustration Reference Number.	Part No.	Description.	Suitable for the Models indicated SERIES "R" - see page 5.	Price, £ s. d.	For Dealer's Use Only. Old Part No.
Driving Chains & Parts					
	XB2001	Driving Chain, Engine to Gear Box, $\frac{3}{8}$ " \times $\frac{1}{4}$ " \times 57.	R2, Solo	10 3†	
	XB2002	Driving Chain, Engine to Gearbox, $\frac{3}{8}$ " \times $\frac{1}{4}$ " \times 56.	R2, Sidecar	10 0†	
	XB2021	Driving Chain, Engine to Gearbox, $\frac{3}{8}$ " \times $\frac{1}{4}$ " \times 310 \times 66.	R4, 6, 8, 9	8 0†	
	XA2020	Driving Chain, Engine to Gearbox, $\frac{3}{8}$ " \times $\frac{1}{4}$ " \times 310 \times 62.	R5, 12	7 6†	
	XA2080	Driving Chain, Gearbox to Rear Wheel, $\frac{3}{8}$ " \times $\frac{1}{4}$ " \times 96.	R2, Solo	17 0†	
	XB2062	Driving Chain, Gearbox to Rear Wheel, $\frac{3}{8}$ " \times $\frac{1}{4}$ " \times 97.	R2, Sidecar.	17 3†	
	XB2101	Driving Chain, Gearbox to Rear Wheel, $\frac{3}{8}$ " \times $\frac{1}{4}$ " \times 124.	R4, 6	15 0†	
	XB2121	Driving Chain, Gearbox to Rear Wheel, $\frac{3}{8}$ " \times $\frac{1}{4}$ " \times 103.	R8, 9	18 6†	
	XB2141	Driving Chain, Gearbox to Rear Wheel, $\frac{3}{8}$ " \times $\frac{1}{4}$ " \times 112.	R5, 12	13 7†	
	XB2260	Spring Link, $\frac{3}{8}$ " \times $\frac{1}{4}$ ".	R2, 8, 9	6†	K1245
	XA2300	Spring Link, $\frac{3}{8}$ " \times 310.	R4, 5, 6, 8, 9, 12	4†	
	XB2340	Spring Clip for Spring Link, $\frac{3}{8}$ " \times $\frac{1}{4}$ ".	R3, 8, 9	1†	K1246
	XB2360	Spring Clip for Spring Link, $\frac{3}{8}$ " \times 310.	R4, 5, 6, 8, 9, 12	1†	H1289
	XB2200	Driving Chain for Magneto, $\frac{1}{2}$ " \times $\frac{1}{4}$ " \times 42.	R2	1 3†	K1244
	XB2221	Driving Chain for Magneto, $\frac{1}{2}$ " \times $\frac{1}{4}$ " \times 38.	R4, 6, 8, 9	1 1†	G359
	XB2260	Driving Chain for Magneto, $\frac{1}{2}$ " \times $\frac{1}{4}$ " \times 33.	R5, 12	1 0†	F647
	XB2400	Spring Link for Magneto Chain, $\frac{1}{2}$ " \times $\frac{1}{4}$ ".	All Models	2†	K1248
	XB2440	Spring Clip for Magneto Chain, $\frac{1}{2}$ " \times $\frac{1}{4}$ ".	All Models.	1†	K1249
	XB2480	Two-Link Piece for Driving Chains, $\frac{3}{8}$ " \times $\frac{1}{4}$ ".	R2, 8, 9	8†	K1250
	XA2500	Two-Link Piece for Driving Chains, $\frac{3}{8}$ " \times 310	R4, 5, 6, 8, 9, 12	6†	
	XB2540	Two-Link Piece for Magneto Chains, $\frac{1}{2}$ " \times $\frac{1}{4}$ ".	All Models	2†	K1252
	XB2565	Box of Chain Parts.	R2, 8, 9	2 3†	
	XB2570	Box of Chain Parts.	R4, 5, 6, 12	2 0†	

N.I.

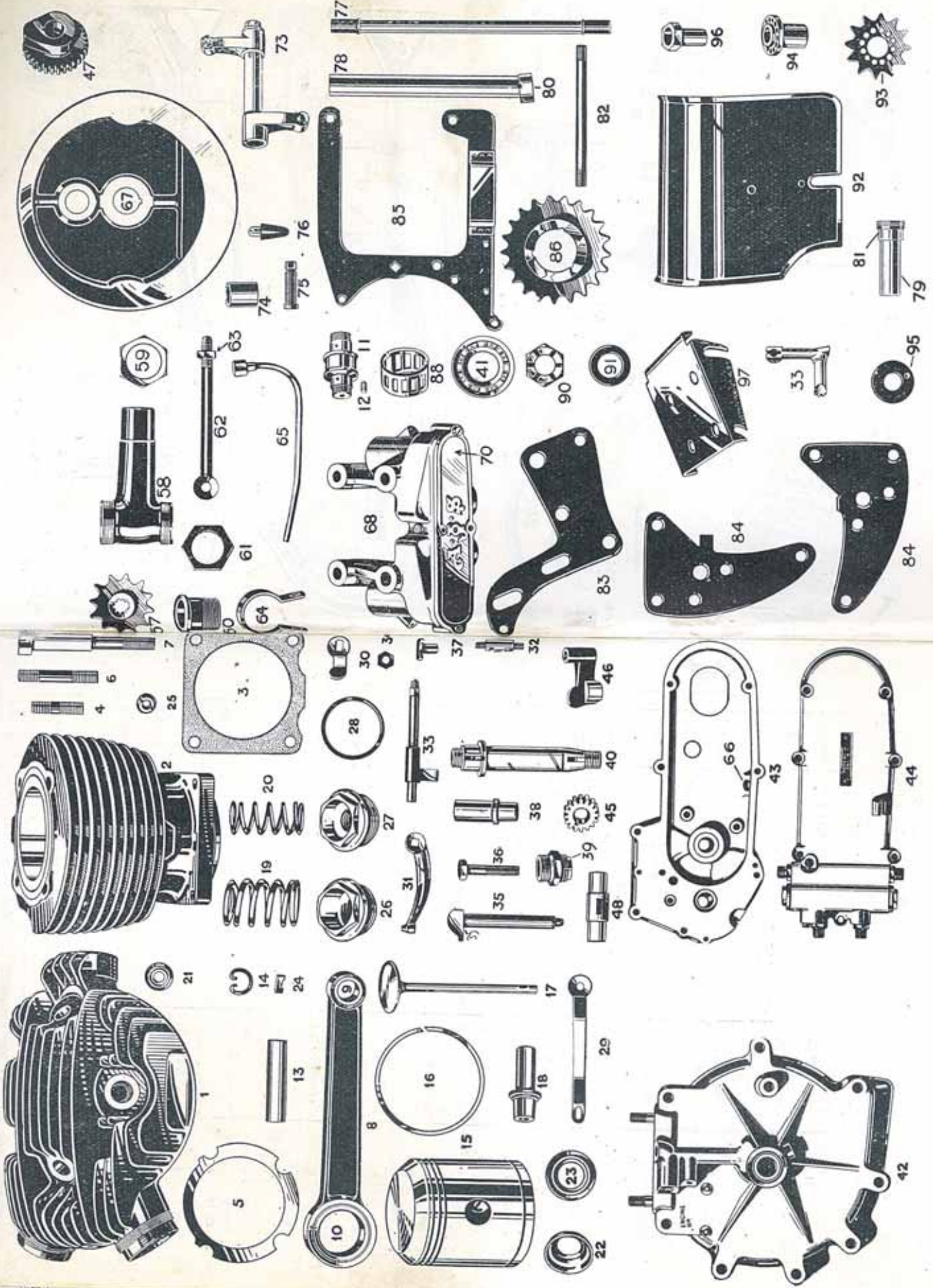
DO NOT quote Illustration Number when ordering.

When ordering quote Part Number (not illustration number), Description and Model. For interchangeability of old part numbers see List for previous years.

Illustration Reference Number	Part No.	Description.	Suitable for the Models indicated SERIES "R" see page 5.	Price. £ s. d.	For Dealer's Use Only. Old Part No.
TOOLS.					
<i>NOTE.—Only Tools marked "K" are supplied with Tool Roll when ordered as a "Spare Part."</i>					
359	XB2501	Tool Roll, complete with Tools.	R2, 9	1 9 9	
	XB2521	Tool Roll, complete with Tools.	R4	1 8 9	
	XB2522	Tool Roll, complete with Tools.	R5	1 7 0	
	XB2541	Tool Roll, complete with Tools.	R6	1 5 0	
	XB2661	Tool Roll, complete with Tools.	R8	1 6 0	
	XB2701	Tool Roll, complete with Tools.	R12	1 3 0	
360	XB2720	Tool Roll only, less Tools, "K."	All Models	5 0	H1640
361	XB2740	Pliers, "K."	All Models	2 9	H1642
362	XB2760	Small Pliers for Gudgeon Pin Ring, "K."	All Models	6	H1643
363	XB2780	Valve Cap Spanner, "K."	R2, 4, 5, 9	3 0	H1646
364	XB3340	Valve Extractor Hook.	R2, 4, 5, 9	5 9	H1653
N.L.	XB2840	Magneto Spanner, "K."	All Models	6	H1645
365	XB2980	Large Open-ended Spanner, "K." $\frac{1}{2} \times \frac{3}{8}$.	All Models.	1 6	H1650
366	XB2820	Medium Open-ended Spanner, "K." $\frac{1}{2} \times \frac{3}{8}$.	All Models	1 3	H1651
367	XB2900	Small Open-ended Spanner, "K." $\frac{1}{2} \times \frac{3}{8}$.	All Models	10	H1652
N.L.	XB2905	Gearbox Open-Ended Spanner "K." $\frac{1}{2} \times \frac{3}{8}$	R4, 6, 8, 9	1 6	
368	XB2920	File, "K."	All Models	10	H1659
369	XB2940	Screwdriver, "K."	All Models	1 3	H1661
370	XA2980	Tyre Levers. (pair)	All Models	1 3	
N.L.	XB3001	Spanner for Hub Lock Ring, "K."	All Models	1 9	
370	XB3060	Large Adjustable Spanner, "K."	All Models	6 0	H1649
N.L.	XB3100	Box Spanner for Hub Sleeve Bolt, "K."	R2, 8, 9	2 9	K1702
374	XA3140	Box Spanner for Hub Sleeve Bolt, "K."	R4, 6	1 9	H1674
375	XA3180	Spanner for Tappet Enclosing Tube Nut, "K."	R6, 8	4	
		Tappet Adjusting Spanner, "K."	R6, 8, 12	4	

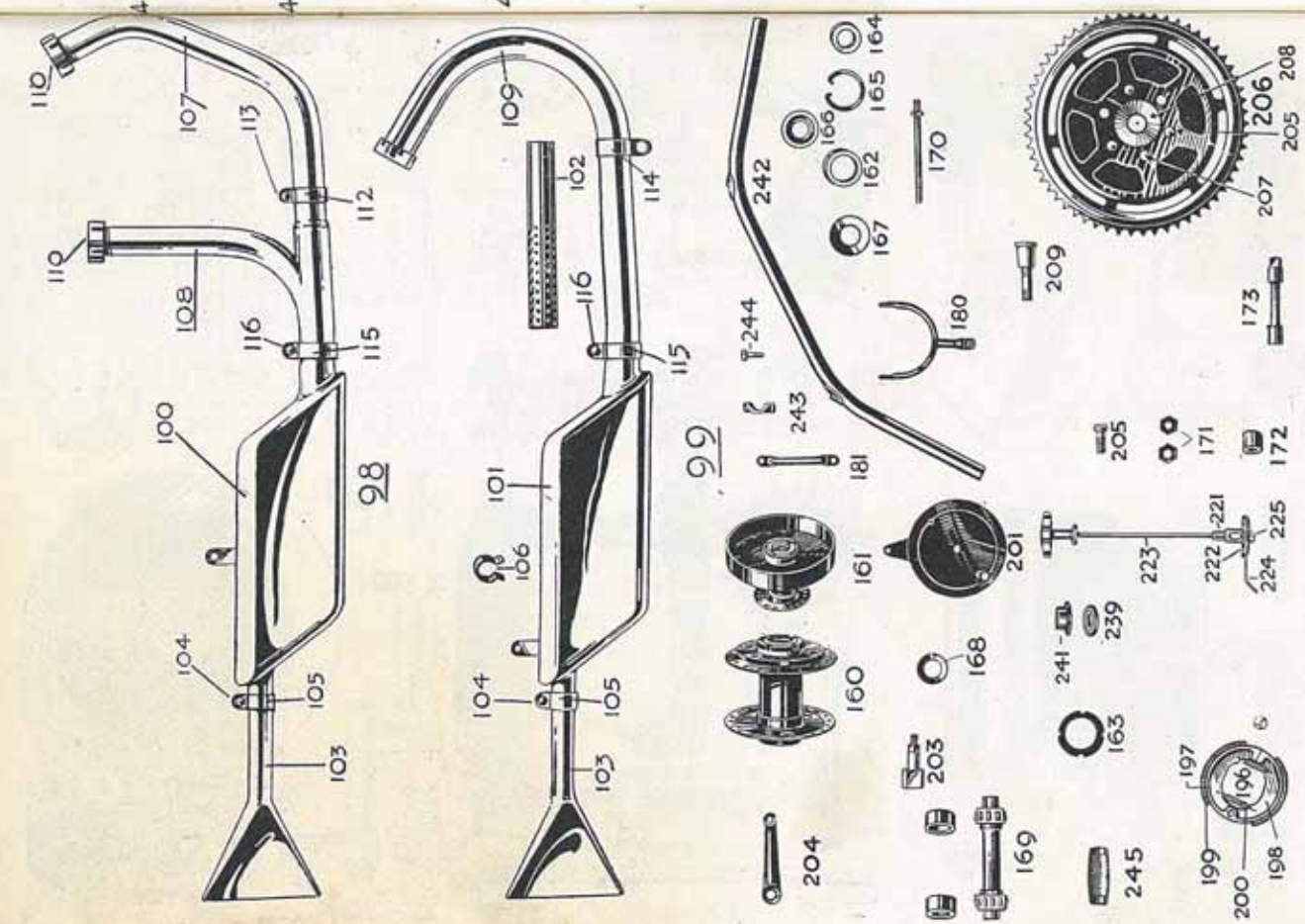
When ordering quote Part Number (not illustration number), Description and Model. For interchangeability of old part numbers see List for previous years.

Illustration Reference Number	Part No.	Description.	Suitable for the Models indicated SERIES "R" see page 5.	Price. £ s. d.	For Dealer's Use Only. Old Part No.
376	XA3220	Gearbox Adjusting Spanner.	R2, 5, 12	9	
	XB3240	Grease Gun.	All Models	6 0	H1668
	XA3260	Grease, 1 lb.	All Models	0	
	XB3300	Wheel Setting Gauge, 19 x 2 1/2 Rim.	R2	7	K1713
	XB3310	Wheel Setting Gauge, 19 x 2 1/2 Rim.	R8, 9	7	
	XB3310	Wheel Setting Gauge, 19 x 2 1/2 Rim.	R4, 6 (Export)	7	
377	XB3310	Wheel Setting Gauge, 19 x 2 1/2 Rim.	R4, 6 (Home)	7	
	XB3321	Wheel Setting Gauge, 19-20 x 2 1/2 Rim.	R5, 12	7	
	XB3321	Wheel Setting Gauge, 19-20 x 2 1/2 Rim.	R2, 8, 9	6	
	XB3325	Wheel Setting Piece with Clip.	R4, 6	6	
	XB3326	Wheel Setting Piece with Clip.	R5, 12	6	
	XB3327	Wheel Setting Piece with Clip.	R6, 8	5 9	H1653
	XB3340	Valve Extractor.	R6, 8	1 6	H1656
	XB3360	Valve Grinding Tool.	R6, 8, 12	1 0	
	XA3380	Tappet Tube Extractor.	All Models	1 9	H1644
	XB3385	Box Spanners. (set 3)	All Models	1 3	
	XB3386	Box Spanner for Rear Wheel Adjusting Pin "K."	All Models	4 6	H1667
	XB3391	Chain Stud Extractor.	R2, 8, 9	4 6	K1705
	XA3400	Inflator.	R4, 5, 6, 12	3 6	H1677
	XB3420	Inflator.	All Models	9	
	XB3430	Transfer for Solo Machines (comprising Tank, Head and Chaincase) per set.	All Models	3	
	XB3436	Transfer for Silescar, each.	All Types	10	
	XB3440	Centre Punch.	All Models		

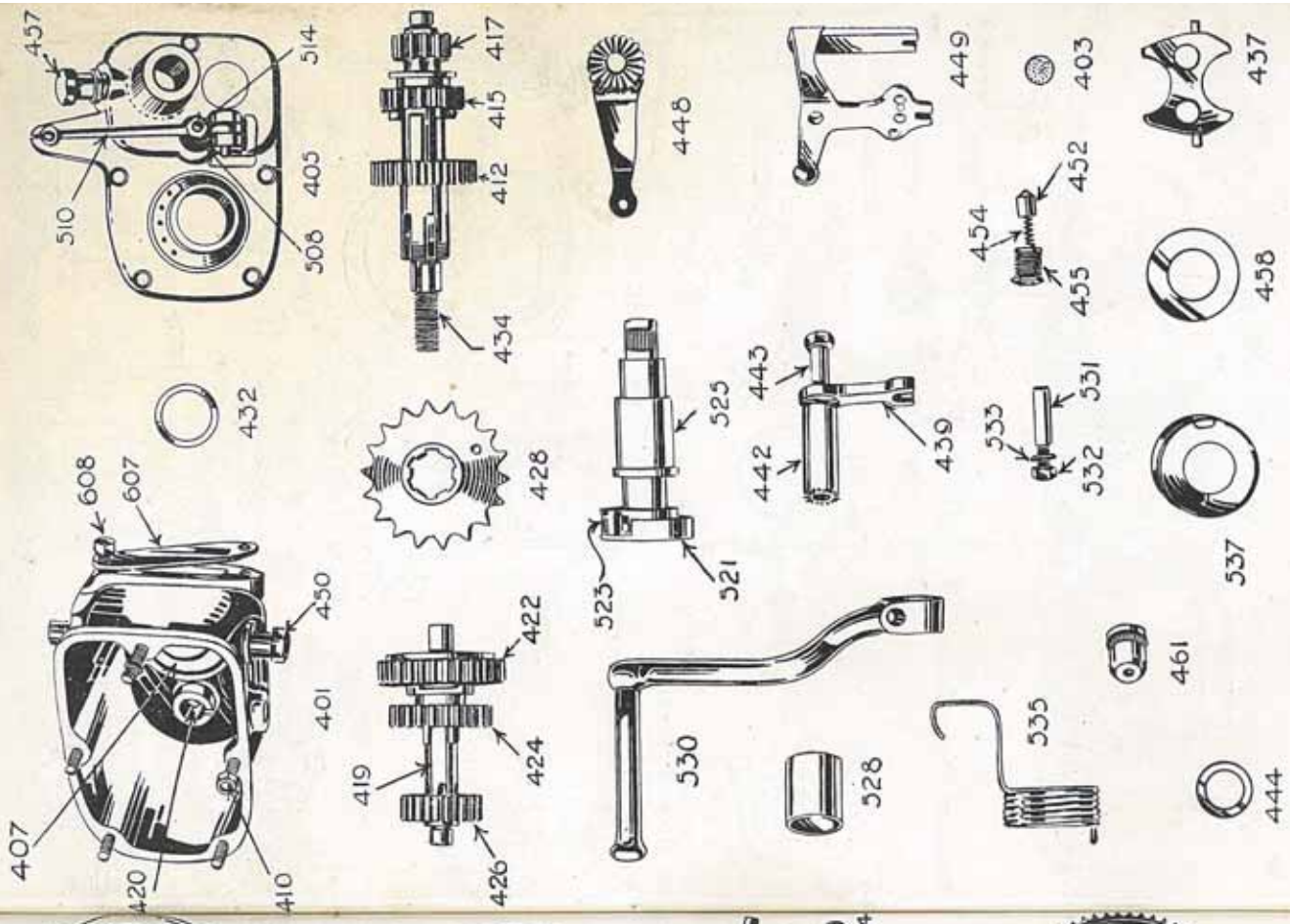


See Instructions on page 6.

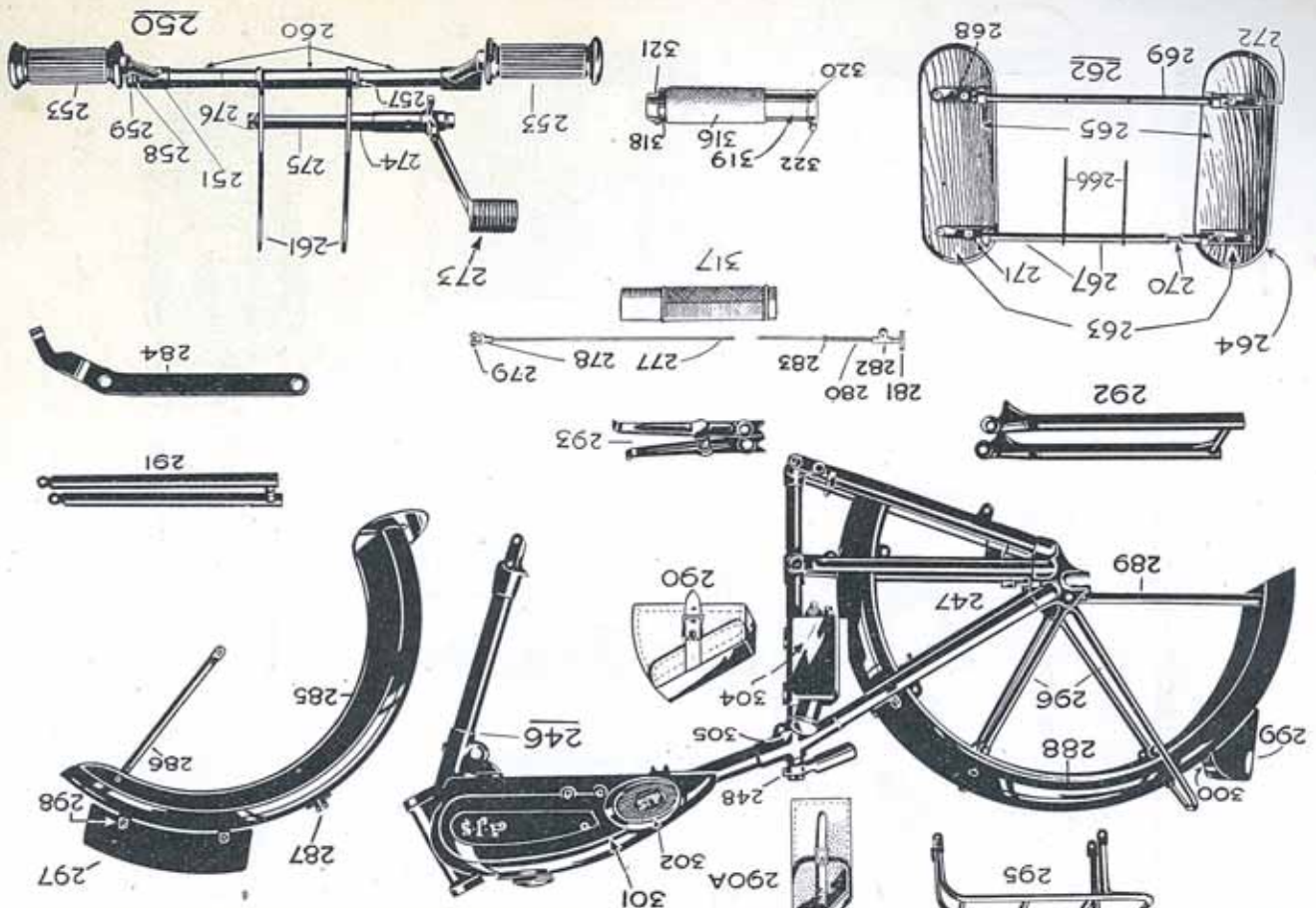
See Instructions on page 6.



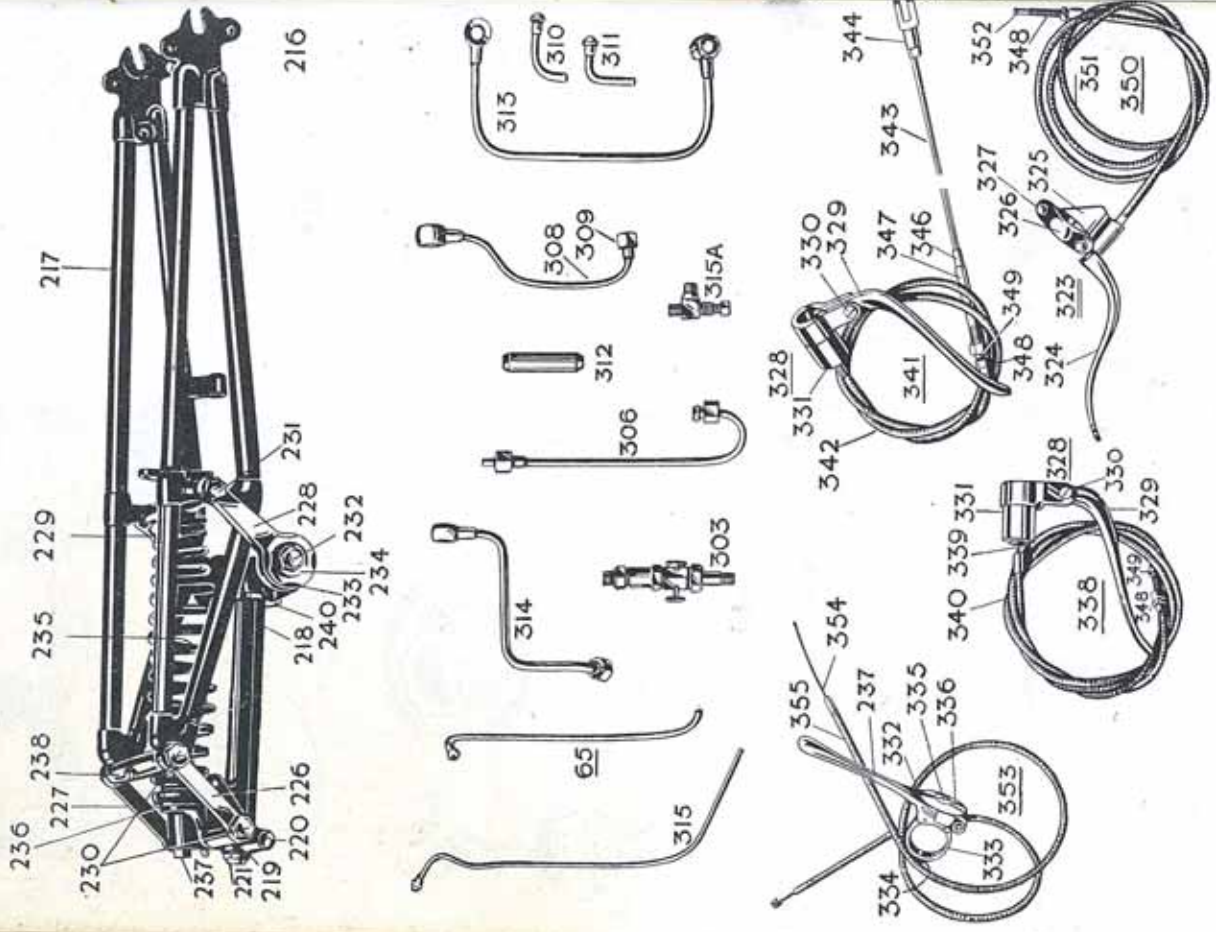
See Instructions on page 6.



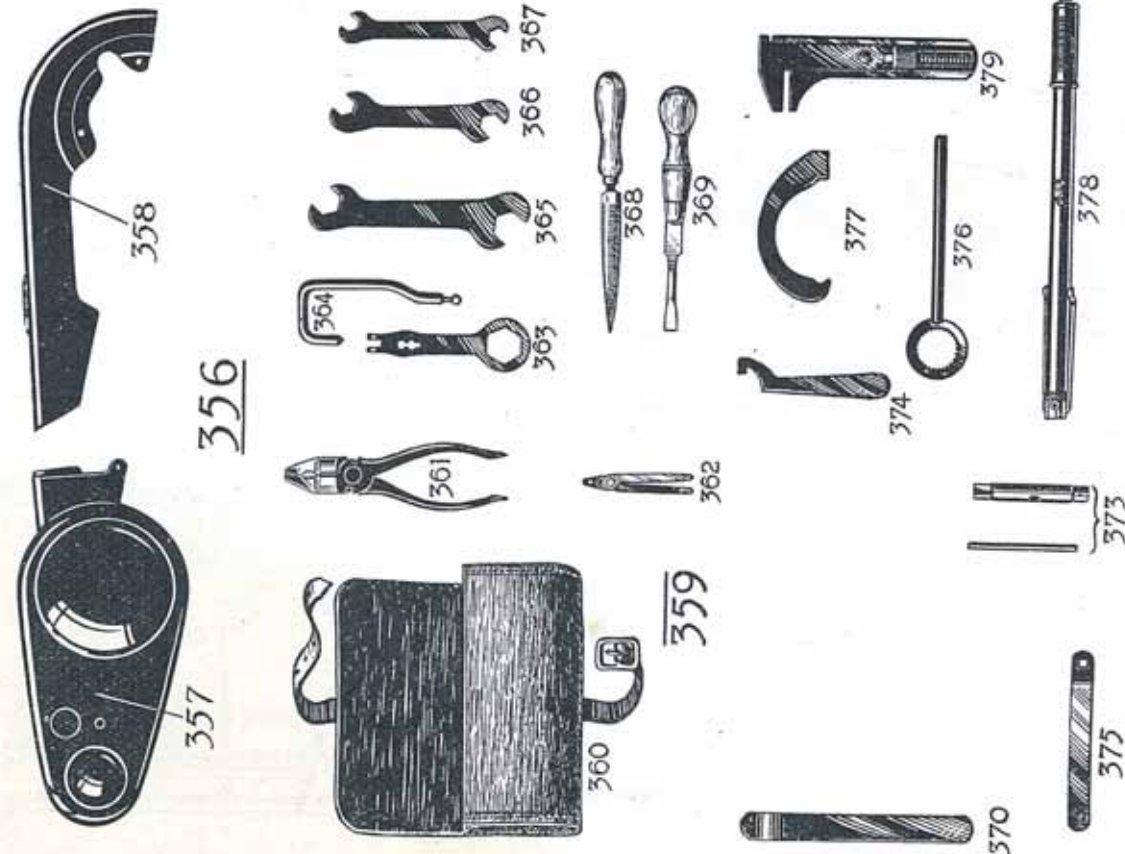
See Instructions on page 6.



See Instructions on page 6.



See Instructions on page 6.



SCHEDULE CONTAINING LIMITED GUARANTEE.

We give the following guarantee with our spare parts for Motor Cycles, Motor Cycle Combinations, and Sidecars, which is given in place of any implied conditions, warranties or liabilities whatsoever, statutory or otherwise, all such implied conditions, warranties or liabilities being in all cases excluded. Any statement, description, conditions or representation contained in any catalogue, advertisement, leaflet, or other publication shall not be construed as enlarging, varying, or overriding this guarantee. In the case of machines which have been used for "hiring out" purposes, or from which the trade mark, name, or manufacturing number has been removed, no guarantee of any kind is given or is to be implied.

We guarantee subject to the conditions mentioned below, that all usual and reasonable precautions have been taken by us to secure excellence of materials and workmanship, but this guarantee is to extend and be in force for six months only from date of purchase, and damages for which we make ourselves responsible under this guarantee are limited to the replacement of any part which may have proved defective, and any work involved by us in the replacement of such part or parts will be charged for. We undertake, subject to the conditions mentioned below, to make good at any time within six months any defects in these respects. As spare parts for Motor Cycle or Motor Cycle Combinations are easily liable to derangement by neglect or misuse, this guarantee does not apply to defects caused by wear or tear, misuse or neglect.

The term "misuse" shall include, amongst others, the following acts:—

- (1) The attaching of a sidecar to the motor cycle in such a manner as to cause damage, or calculated to render the latter unsafe when ridden.
- (2) The use of a motor cycle or of a motor cycle and sidecar combined, when carrying more persons or a greater weight than that for which the machine was designed by the Manufacturers.
- (3) The attaching of a sidecar to a Motor Cycle by any form of attachment not provided or supplied by the Manufacturers or to a motor cycle which is not designed for such use.
- (4) The use of spare parts or replacement parts not supplied by us.

Machines used in races are not guaranteed, but should any trouble arise through or because of racing, we will deal with such cases on their merits.

Any Motor Cycle, Motor Cycle Combination or Sidecar sent to us to be plated, enamelled or repaired, will be repaired upon the following conditions, i.e., we guarantee that all precautions which are usual and reasonable have been taken by us to secure excellence of material and workmanship, such guarantee to extend and be in force for three months only from the time such work shall have been executed or until the expiration of the six months above referred to, and this guarantee is in lieu and in exclusion of any common law or statute warranty, or condition, and the damages recoverable are limited to the cost of any further work which may be necessary to amend and make good the work found to be defective.

CONDITIONS OF GUARANTEE.

If a defective part should be found in our spare parts for Motor Cycles, Motor Cycle Combinations or Sidecars, or in any part supplied by way of exchange before referred to, it must be sent to us CARRIAGE PAID and accompanied by an intimation from the Owner that he desires to have it repaired or exchanged free of charge under our guarantee, and he must also furnish us at the same time with the number of the Machine, the date of the purchase, or the date when the alleged defective part was exchanged, as the case may be.

Failing compliance with the above, such articles will lie AT THE RISK OF THE OWNER and this guarantee and any implied guarantee, warranty or condition shall not be enforceable.

We do not guarantee the specialities of other firms, such as magneto's, carburettors, tyres, saddles, chains, lamps, etc., or any component parts supplied to the order of the Purchaser differing from our standard specifications supplied with the spare parts for our Motor Cycles, Motor Cycle Combinations, Sidecars, or otherwise.

INDEX.

<i>Description of Part.</i>	<i>Pages on which Description and Prices will be found.</i>
Important Notes	1
Explanation of Numbering System	6
Gear Ratio Tables	7—8
General Instructions	2—4
List of 1930 Models and Chromium Plating	5
Brake (Front)	40—42
Brake (Rear)	45—47
Brake Pedal and Fittings	57—58
Carrier	62
Chains and Links	79
Chaincases and Chainguards	77—78
Change Speed Parts	37
Clutch	32—35
Control Cables (Front Brake, Valve Lifter and Clutch)	74—75
Control Cables (Magneto and Carburettor)	75—76
Control Levers (Clutch)	72
Control Levers (Magneto)	72—73
Control Levers (Front Brake and Valve Lifter)	72
Engine	9—22
Engine Plates	21
Exhaust System	24—26
Footboards	56
Footrests	54—55
Footstarter	35—36
Forks (Spring)	48—51
Frame and Fittings	53—54
Gearbox	27—32
Handlebars	52
Lamp Brackets	52
Mudguards (Front)	58—59
Mudguards (Rear)	59—60
Magneto Fittings	23—24
Number Plates	63
Oil Pump and Parts	16—17
Pannier Tool Cases	64
Pipes (Petrol and Oil)	67—69
Speedometers	69—71
Stands (Front and Rear)	61
Tanks and Fittings	65—66
Tool Roll and Tools	80—81
Twist Grips	71
Wheel (Front)	38—40
Wheel (Rear)	43—45