

Matchless
IN NAME & REPUTATION

SPARES LIST

For **MATCHLESS**
MODEL 41-G3L
(WITH WAR OFFICE MODIFICATIONS)

MOTOR CYCLES

CONTRACT 294 - C - 9506 - CON 8
AND
CONTRACT 294 - C - 9841 - CON 8

350 c.c. O.H.V.

MATCHLESS
MOTOR CYCLES

(Proprietors: ASSOCIATED MOTOR CYCLES LIMITED)

PLUMSTEAD, LONDON, S.E.18



Edition 9506/9841-5

This scan is explicit for non-commercial use and is not intended for financial or material gain by anyone

SPARES LIST

for

1941-G3L MATCHLESS MOTOR CYCLES

(With War Office Modifications)

FRAME NUMBERS:

19400 to 24399 (*inclusive*)

ENGINE NUMBERS:

41-G3L-23800 to 41-G3L-28799 (*inclusive*)

CONTRACTS:

294-C-9506-Con-8

AND

294-C-9841-Con-8



Compiled and Issued by the Manufacturers:

MATCHLESS MOTOR CYCLES

(Proprietors: ASSOCIATED MOTOR CYCLES LIMITED)

Registered Offices:

PLUMSTEAD RD., PLUMSTEAD, LONDON, S.E.18
ENGLAND

Nearest Station

WOOLWICH ARSENAL
SOUTHERN RAILWAY

Factories:

BURRAGE GROVE & MAXEY ROAD
PLUMSTEAD, S.E.18

Telegrams and Cables—"Matchless, Wol-London"

Telephone—Woolwich 1233 (5 lines)

Codes— $\left\{ \begin{array}{l} \text{A.B.C. 5th and 6th Edition} \\ \text{Bentley's} \\ \text{and Private Code} \end{array} \right.$

All Correspondence to Offices: PLUMSTEAD ROAD, LONDON, S.E.18

EDITION 9506/9841-5

ENGINE SECTION.

| Description. | Qty. | Price Each. | Part Number. |
|--|------|-------------|-------------------|
| £ s. d. | | | |
| CYLINDER. | | | |
| Cylinder barrel | 1 | 2 0 0 | BF-W41-G3L-E1 |
| Paper washer, for cylinder base and Compression plate | 2 | 0 2 | UF-37-8-E3 |
| Nut-retaining cylinder to crankcase | 4 | 5 | CF-STD-217 |
| Compression plate | 1 | 8 | UF-W41-G3-E3-P |
| CYLINDER HEAD. | | | |
| Cylinder head, less valve guides | 1 | 3 0 0 | BF-W41-G3L-E2 |
| Cylinder head, with valve guides | 1 | 3 5 0 | BF-W41-G3L-E2-ASS |
| Gasket, for cylinder head | 1 | 10 | UF-12268 |
| Bolt, securing head to barrel, left (short) | 2 | 10 | DF-W41-G3L-E89-L |
| Bolt, securing head to barrel, right (long) | 2 | 10 | CF-37-8-E89-R |
| Washer, for head fixing bolt | 4 | 1 | CF-37-8-E161 |
| Stud, fixing carburettor | 1 | 3 | CF-STD-4 |
| Nut, for carburettor stud | 2 | 2 | |
| ENGINE VALVES. | | | |
| Inlet valve | 1 | 6 | UF-STD-676 |
| Exhaust valve | 1 | 6 | UF-STD-676 |
| Guide, for valve (inlet or exhaust) | 2 | 2 6 | UF-39-12-E148 |
| Spring, inner, for valve | 2 | 6 | UF-CE-211 |
| Spring, outer, for valve | 2 | 1 | UF-CE-212 |
| Collar, for valve springs | 2 | 2 | DF-V2-E209 |
| Distance sleeve, for valve spring cup | 1 | 3 | UF-39-8-E190 |
| Collar, for valve (each in two pieces) | 2 | 9 | UF-STD-686 |
| Cap (or thimble), for valve stem | 2 | 7 | UF-STD-685 |
| The Distance Sleeve DF-39-8-E191 is only fitted on the exhaust valve assembly. | | | |
| PISTON. | | | |
| Piston, bare | 1 | 11 0 | UF-D3-E312 |
| Ring, compression, for piston 69 mm. by 3/4 in. | 2 | 1 6* | UF-D3-E311 |
| Ring, scraper, for piston 69 mm. by 3/4 in. | 1 | 2 3* | UF-38-G3-E111 |
| Gudgeon pin, for piston | 1 | 3 0 | UF-D3-E164 |
| Cap, for gudgeon pin | 2 | 1 1 5* | UF-STD-770 |
| Piston, complete with gudgeon pin and rings | 1 | 1 1 5* | UF-D3-E312-A |

THE FOLLOWING OVERSIZE PARTS CAN BE SUPPLIED

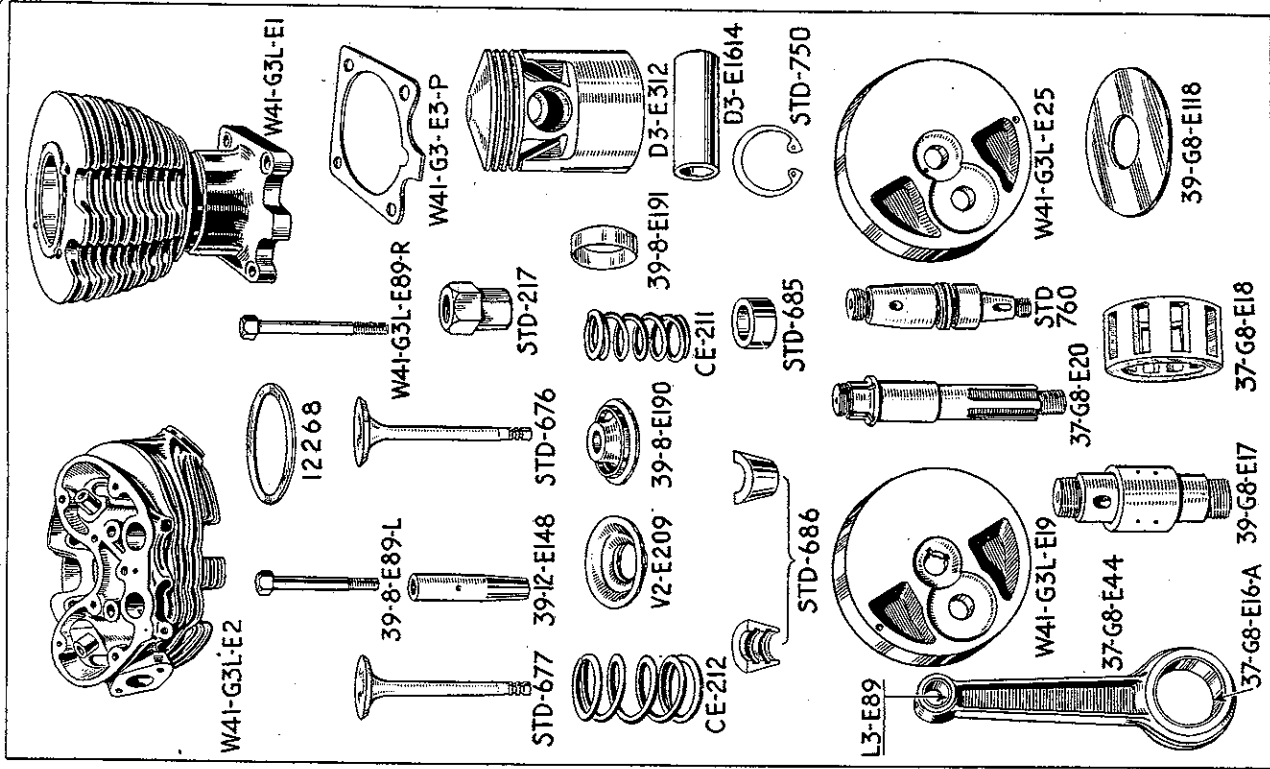
All are 0.030 in. oversize

| | | | |
|--------------------------------------|----|--------|----------------|
| Piston, bare, oversize | 1 | 11 0 | O/D3-E312 |
| Ring, compression, oversize | 2 | 1 6* | O/D3-E311 |
| Ring, scraper, oversize | 1 | 2 3* | O/D3-E111 |
| Piston, complete, oversize | 1 | 1 1 5* | O/D3-E312-A |
| FLYWHEELS. | | | |
| Flywheel, bare, timing side | 1 | 12 6 | UF-W41-G3L-E25 |
| Flywheel, bare, drive side | 1 | 14 0 | UF-W41-G3L-E19 |
| Axle, for timing side flywheel | 1 | 6 6 | UF-37-G8-E20 |
| Axle, for driving side flywheel | 1 | 13 3 | UF-STD-573 |
| Key, for driving side axle | 1 | 3 | UF-STD-230 |
| Nut, for timing side axle | 1 | 5 | UF-STD-234 |
| Nut, for driving side axle | 1 | 1 | UF-STD-15 |
| Lock screw, for timing side axle nut | 1 | 1 | |
| CONNECTING ROD. | | | |
| Connecting rod, with liner and bush | 1 | 1 3 6 | UF-37-G8-E44 |
| Liner, only, for big end bearing | 1 | 4 6 | UF-37-G8-E16-A |
| Roller, for connecting pin | 2 | 2 | UF-STD-75 |
| Roller, for crankpin rollers | 30 | 7 6 | UF-37-G8-E18 |
| Cage, for crankpin rollers | 1 | 10 6 | UF-39-G8-E17 |
| Crankpin 3/4 in. diameter shaft | 1 | 1 0 | UF-39-G8-E118 |
| Washer, for crankpin | 1 | 7 | UF-STD-233 |
| Nut, for crankpin | 2 | | |

OVERSIZE CRANKPIN ROLLERS. 001 in. OVERSIZE CAN BE SUPPLIED.

The Part Number is O/STD-75 and the price 2d. each

ALL PRICES, EXCEPT THOSE MARKED *, ARE SUBJECT TO 10% INCREASE.



| Description. | Qty. | Price each. | Part Number. |
|--|------|-------------|-----------------|
| | | £ s. d. | |
| CRANKCASE. | | | |
| Crankcase, complete, Kinki-green..... | 1 | 4 12 6 | KE-W-41-63-E108 |
| Crankcase, driving side only..... | 1 | 2 3 9 | KE-41-G3-E31 |
| Crankcase, timing side only..... | 1 | 2 3 9 | KE-41-G3-E31 |
| "CRANKCASE COMPLETE" includes all bronze bushes and the cylinder head, timing gear and magneto chain covers. Therefore it is necessary to send the sound half of the crankcase when ordering a new half. | | | |
| HALVES OF CRANKCASES may be matched in the factory. | | | |
| Drain plug, for crankcase..... | 1 | 4 | CF-STD-375 |
| Plug screw, for crankcase oil holes..... | 3 | 1 | UF-STD-485 |
| Timing gear, for oil pump, Kinki-green..... | 3 | 12 | KE-35-G3-E32 |
| Paper washer, for timing gear cover..... | 1 | 2 | UF-37-8-E78 |
| Dowel peg, locating timing gear cover..... | 2 | 1 | UF-STD-577 |
| Screw, fixing timing gear cover..... | 2 | 2 | CF-STD-482 |
| Magneto chaincase cover, Kinki-green..... | 1 | 5 | KE-41-G3-E29 |
| Grease nipple, for magneto chaincase cover..... | 0 | 2 | NE-STD-51 |
| Cap, in timing gear cover, for cam bush..... | 1 | 3 | CF-STD-765 |
| Stud, for cylinder base..... | 1 | 3 | CF-STD-300 |
| Bolt, for cylinder oil feed valve..... | 1 | 1 | UF-STD-21 |
| Plug, for cylinder oil feed valve..... | 1 | 1 | UF-STD-216 |
| Spring, for cylinder oil feed valve..... | 1 | 2 | UF-STD-701 |
| CRANKCASE BEARINGS. | | | |
| Bush, for timing side flywheel axle..... | 1 | 2 | UF-41-G3-E27 |
| Rollers and cage, for timing side axle..... | 3 | 6 | R-137 |
| Sleeve, for timing side roller bearing..... | 1 | 3 | UF-41-G3-E54 |
| Ball bearing, for driving side flywheel axle..... | 2 | 10 | UF-RLS-8 |
| Spacing washer, between ball bearings..... | 1 | 3 | UF-16889-A |
| Bush for inlet cam, in crankcase..... | 1 | 1 | UF-STD-651 |
| Bush for inlet cam, in timing cover..... | 1 | 1 | UF-STD-652 |
| Bush for exhaust cam, in crankcase..... | 1 | 1 | UF-STD-651 |
| Bush for exhaust cam, in timing cover..... | 1 | 1 | UF-STD-651 |
| Dimensions of UF-RLS-8 Bearing: 1in. by 2 1/2in. by 1 1/2in. | | | |
| Dimensions of R-137 rollers and cage: 1/2in. by 1 1/2in. by 1 1/4in. | | | |

| | | | |
|---|----|---|--------------|
| CRANKCASE BOLTS. | | | |
| Front bolt, top position, 4 1/2in. by 1/4in. by 1/4in..... | 1 | 4 | CF-STD-278 |
| Front bolt, bottom position, 3 1/2in. by 1/4in. by 1/4in..... | 1 | 3 | CF-STD-273 |
| Bottom bolt, rear position, 4 1/2in. by 1/4in. by 1/4in..... | 1 | 4 | CF-STD-261 |
| Rear bolt, top position, 3 1/2in. by 1/4in. by 1/4in..... | 1 | 3 | CF-STD-274 |
| Rear bolt, centre position, 3 1/2in. by 1/4in. by 1/4in..... | 1 | 3 | CF-STD-274 |
| Spacer for front top bolt..... | 2 | 4 | KE-40-G3-F66 |
| Spacer for front centre bolt..... | 2 | 4 | CF-STD-11 |
| Washer for front top bolt..... | 2 | 1 | CF-STD-11 |
| Washer for front centre bolt..... | 2 | 1 | CF-STD-11 |
| Nut, for front rear bolt..... | 2 | 2 | CF-STD-4 |
| Nut, for all front and rear bolts..... | 12 | 2 | CF-STD-4 |
| For the bottom, front, bolt that passes through the crankcase, the bottom of the front cover and the front end cap, and the front end cap assembly, and the spacing tubes, washers and nuts on it, see FRAME SECTION. | | | |

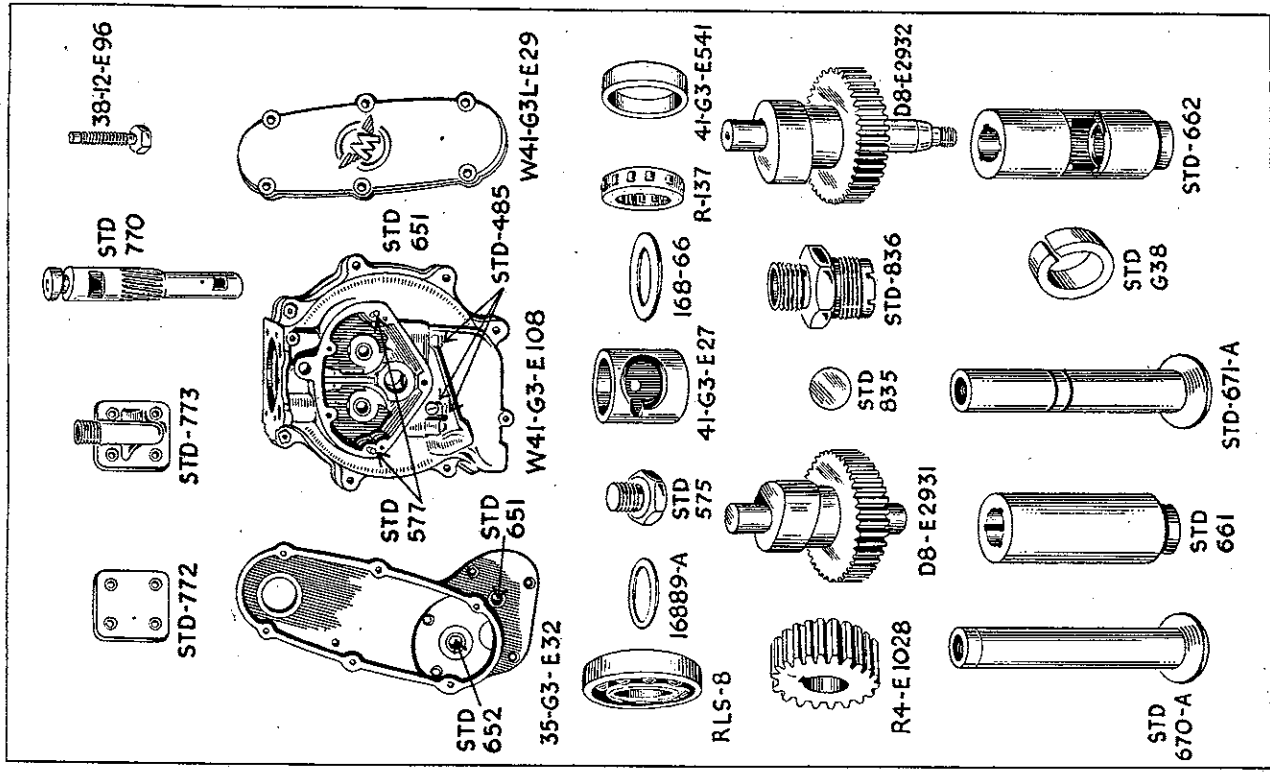
| | | | |
|---|---|---|--------------|
| OIL PUMP. | | | |
| Plunger, for oil pump..... | 1 | 6 | UF-STD-770 |
| Guide screw, for oil pump plunger..... | 1 | 0 | CF-38-12-E96 |
| Front end cap, for oil pump, Kinki-green..... | 1 | 1 | KE-41-G3-E31 |
| Paper washer, for pump end cap..... | 1 | 1 | UF-STD-772 |
| Screw, fixing front end cap..... | 2 | 1 | UF-STD-582 |
| Bolt, fixing rear end cap..... | 4 | 2 | CF-STD-15 |

| | | | |
|--|---|---|------------|
| RELEASE VALVE. | | | |
| Release valve body..... | 1 | 1 | CF-STD-836 |
| Diaphragm, for release valve body..... | 1 | 2 | UF-STD-835 |

| | | | |
|---|---|----|-------------|
| TIMING GEAR. | | | |
| Inlet camshaft..... | 1 | 10 | UF-D8-E2932 |
| Exhaust camshaft, flywheel axle..... | 1 | 3 | UF-R4-E1028 |
| Key, for timing pinion..... | 1 | 3 | UF-STD-570 |
| Nut, retaining timing pinion to axle..... | 1 | 3 | UF-STD-221 |

| | | | |
|--------------------------------------|---|---|--------------|
| TAPPETS. | | | |
| Inlet tappet, bare..... | 1 | 2 | UF-STD-670-A |
| Exhaust tappet, bare..... | 1 | 3 | UF-STD-671-A |
| Collar, for exhaust tappet..... | 1 | 0 | UF-STD-638 |
| Guide, for exhaust tappet..... | 1 | 4 | UF-STD-662 |
| Fibre washer, for tappet guides..... | 2 | 0 | UF-35-12-E73 |

ALL PRICES, EXCEPT THOSE MARKED *, ARE SUBJECT TO 10% INCREASE.



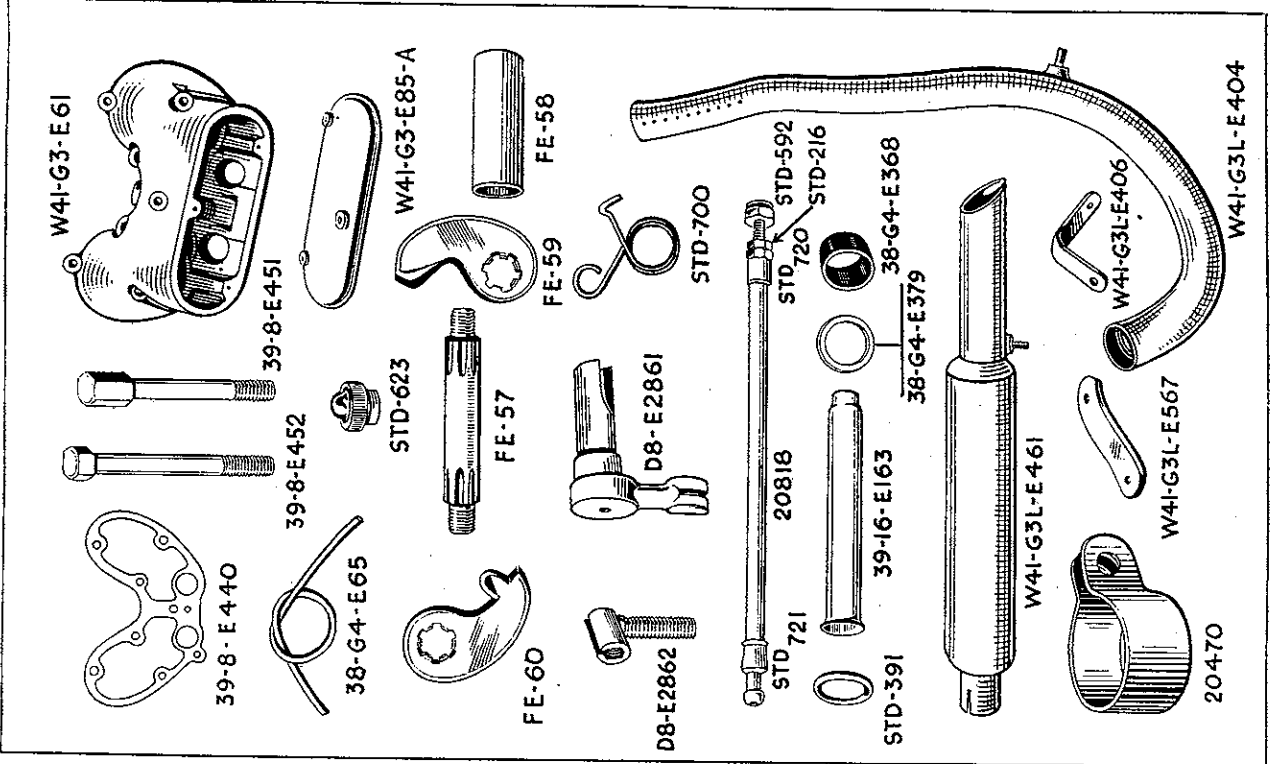
This stamp is explicit for non-commercial use and is not intended for financial or material gain by anyone.

| Description. | Qty. | Price Each. | Part Number. |
|--|------|-------------|--------------------|
| | | £ s. d. | |
| PUSH RODS. | | | |
| Long push rod, bare..... | 2 | 1 2 | UF-20818 |
| Ball end (bottom), for long push rod..... | 2 | 1 0 | UF-STD-721 |
| Sleeve end (top), for long push rod..... | 2 | 1 9 | UF-STD-720 |
| Adjusting screw, for top of long push rod..... | 2 | 1 0 | UF-STD-592 |
| Lock nut, for push rod adjusting screw..... | 2 | 4 4 | UF-STD-216 |
| Long push rod, complete..... | 2 | 4 3 | UF-20818-1 |
| PUSH ROD COVER TUBES. | | | |
| Cover tube, for long push rod..... | 2 | 2 6 | CF-39-16-E163 |
| Gasket, for top of cover tube..... | 2 | 9 | UF-38-G4-E368 |
| Washer, for top of gasket..... | 2 | 3 | UF-38-G4-E379 |
| Rubber gland, for bottom of cover tube..... | 2 | 3 | UF-STD-691 |
| ROCKER BOX. | | | |
| Rocker box, assembled with all fittings..... | 1 | 2 18 8 | KF-W41-G3-E61-ASS. |
| Rocker box, bare, Khaki-green..... | 1 | 0 0 | KF-W41-G3-E61 |
| Bolt, fixing box, short head..... | 1 | 0 8 | CF-39-4-E452 |
| Washer, for bolt..... | 1 | 7 | CF-39-4-E451 |
| Side cover for rocker box, Khaki-green..... | 1 | 3 6 | CF-STD-31 |
| Rubber filler, for side cover..... | 1 | 2 2 | UF-38-G4-E565 |
| Stud, fixing side cover..... | 3 | 2 | CF-STD-251 |
| Nut, for side cover stud, Khaki-green..... | 3 | 5 | KF-STD-623 |
| Clamp washer, for cover stud nut..... | 3 | 1 | UF-38-G4-E560 |
| Clamp, for cover stud..... | 3 | 1 | UF-38-G4-E560 |
| Bush, for rocker box..... | 4 | 1 6 | UF-38-G4-E204 |
| The price of the Rocker Box bare does not include the four bushes. | | | |
| OVERHEAD ROCKERS. | | | |
| Rocker axle..... | 2 | 3 6 | UF-FE-57 |
| Foot pin, for rocker axle..... | 2 | 2 | UF-D8-E1865 |
| Nut, for rocker axle..... | 4 | 2 | UF-STD-3 |
| Sleeve, for rocker axle..... | 2 | 3 0 | UF-FE-58 |
| Washer, for rocker axle..... | 4 | 1 | UF-STD-10 |
| Rocker arm, valve end (inlet or exhaust)..... | 2 | 2 9 | UF-FE-59 |
| Rocker arm, push rod end (inlet or exhaust)..... | 2 | 2 9 | UF-FE-58 |
| EXHAUST VALVE LIFTER. | | | |
| Lifter lever and spindle (combined)..... | 1 | 3 6 | DF-D8-E2861 |
| Spring, for lifter lever..... | 1 | 3 | BF-STD-700 |
| Crosshead, for valve lifter cable..... | 1 | 2 | DF-D8-E2862 |
| Lock nut, for cable crosshead..... | 1 | 9 | CF-STD-174 |

EXHAUST PIPE AND SILENCER SECTION.

| | | | |
|---|---|-------|-----------------|
| EXHAUST PIPE. | | | |
| Exhaust pipe, bare..... | 1 | 1 0 6 | DF-W41-G3L-E404 |
| Stay, for exhaust pipe..... | 1 | 1 | DF-W41-G3L-E406 |
| Nut, fixing pipe to stay..... | 1 | 2 | CF-STD-4 |
| Plain washer, for pipe fixing nut..... | 1 | 1 | CF-STD-174 |
| Spring washer, for pipe fixing nut..... | 1 | 1 | BF-STD-192 |
| SILENCER. | | | |
| Silencer, bare..... | 1 | 19 6 | DF-W41-G3L-E461 |
| Front clip, clamping silencer to pipe..... | 1 | 1 | CF-STD-30 |
| Washer, for silencer front clip..... | 2 | 1 | CF-STD-163 |
| Washer, for silencer front clip bolt..... | 1 | 1 | CF-STD-174 |
| Nut, for silencer front clip bolt..... | 1 | 2 | UF-STD-192 |
| Stay, for silencer..... | 1 | 1 | CF-STD-4 |
| Plain washer, for silencer stay..... | 1 | 2 | DF-W41-G3L-E567 |
| Pin, fixing silencer to stay..... | 1 | 0 | CF-STD-174 |
| Spring washer, for silencer fixing nut..... | 1 | 1 | BF-STD-192 |
| Bolt, fixing stay to fork end..... | 1 | 3 | CF-STD-363 |
| Washer, for fork end bolt..... | 1 | 1 | CF-STD-174 |
| Nut, for fork end bolt..... | 2 | 2 | CF-STD-4 |

ALL PRICES, EXCEPT THOSE MARKED *, ARE SUBJECT TO 10% INCREASE.



This scan is explicit for non-commercial use and is not intended for financial or material gain by anyone.

CARBURETTOR SECTION.

| Description. | Qty. | Price Each. | Part Number. |
|--|------|-------------|-----------------|
| £ s. d. | | | |
| COMPLETE CARBURETTOR. | | | |
| Complete carburettor, Type 275F/U..... | 1 | 1 16 0* | DF-W41-GUL-E57 |
| Locking piece, for carburettor..... | 1 | 1 1 0 | DF-W41-GUL-E167 |
| Locking clip, for carburettor..... | 1 | 2 0 0 | DF-W41-GUL-E167 |
| Gasket, for carburettor..... | 1 | 2 0 0 | UF-STD-381 |

The price of the complete carburettor does not include the control levers and cables.

FLOAT CHAMBER.

| | | | |
|---|----|----|-----------|
| Float chamber, bare..... | 14 | 0* | DF-64-186 |
| Plug screw, for passage in chamber..... | 2* | 0* | DF-13-153 |
| Fibre washer, for plug screw..... | 2 | 0* | DF-4-039 |
| Pin, for float chamber top..... | 2 | 0* | DF-4-033 |
| Top (or cover), for float chamber..... | 2 | 6* | DF-14-208 |
| Screw, locking float chamber top..... | 2 | 6* | DF-14-021 |
| Float, bare..... | 2 | 6* | UF-14-015 |
| Needle, for float..... | 1* | 3* | DF-14-178 |
| Fibre washer, for float needle seat..... | 2* | 2* | DF-14-175 |
| Tickler plunger, for float chamber top..... | 7* | 0* | DF-14-209 |
| Stop sleeve, for tickler plunger..... | 5* | 0* | DF-14-210 |
| Spring, for tickler plunger..... | 7* | 0* | DF-14-052 |
| Split pin, for tickler plunger sleeve..... | 1 | 1* | UF-4-060 |

MIXING BODY.

| | | | |
|---|----|----|--------------|
| Mixing body, bare..... | 10 | 0* | DF-275-402-R |
| Union nut, for mixing body base..... | 1 | 6* | DF-4-062 |
| Fibre washer, for union nut..... | 2* | 0* | UF-4-040 |
| Top, for mixing body..... | 1 | 9* | DF-4-031 |
| Spring clip, locking mixing body..... | 1 | 6* | DF-4-235 |
| Screw, securing locking clip to body top..... | 2 | 2* | NF-4-241 |
| Cable adjuster, for body top..... | 2 | 4* | DF-4-035 |

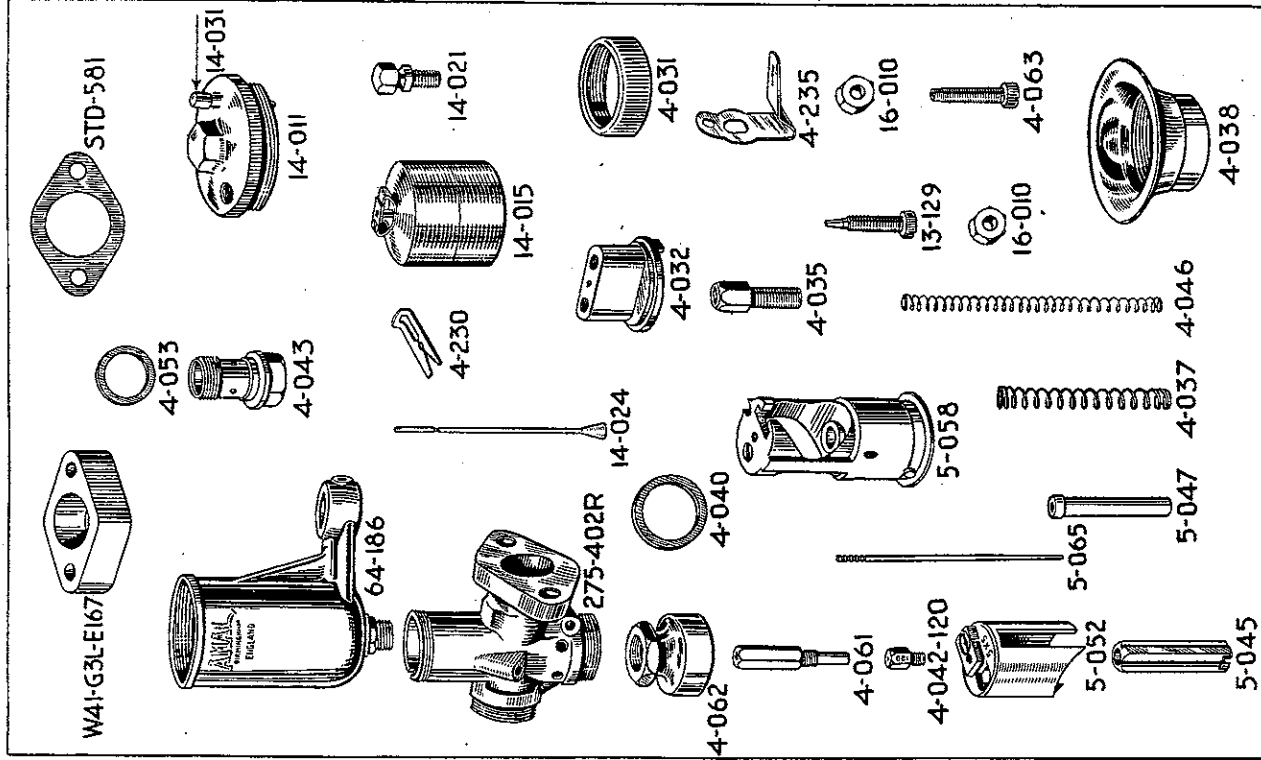
JETS.

| | | | |
|--|---|----|--------------|
| Jet barrel, or choke..... | 5 | 0* | UF-275-403 |
| Needle jet..... | 1 | 2* | UF-4-062-120 |
| Main jet, Size 130..... | 1 | 3* | UF-5-065 |
| Clip, for jet taper needle..... | 1 | 4* | UF-4-230 |
| Split pin, locating taper needle clip..... | 1 | 0* | UF-4-060 |
| Screw, for pilot jet air adjustment..... | 1 | 6* | DF-13-129 |
| Spring, for pilot jet air screw..... | 1 | 2* | DF-4-186 |

VALVES.

| | | | |
|--|----|-----|----------|
| Throttle valve, Size 5/5..... | 3 | 10* | DF-5-052 |
| Spring, for throttle valve..... | 3 | 0* | DF-4-037 |
| Lock nut, for throttle stop screw..... | 6 | 0* | DF-4-206 |
| Throttle valve, for air valve..... | 2 | 6* | UF-5-045 |
| Spring, for air valve..... | 3* | 0* | UF-5-047 |
| Air intake..... | 2 | 6* | DF-4-046 |

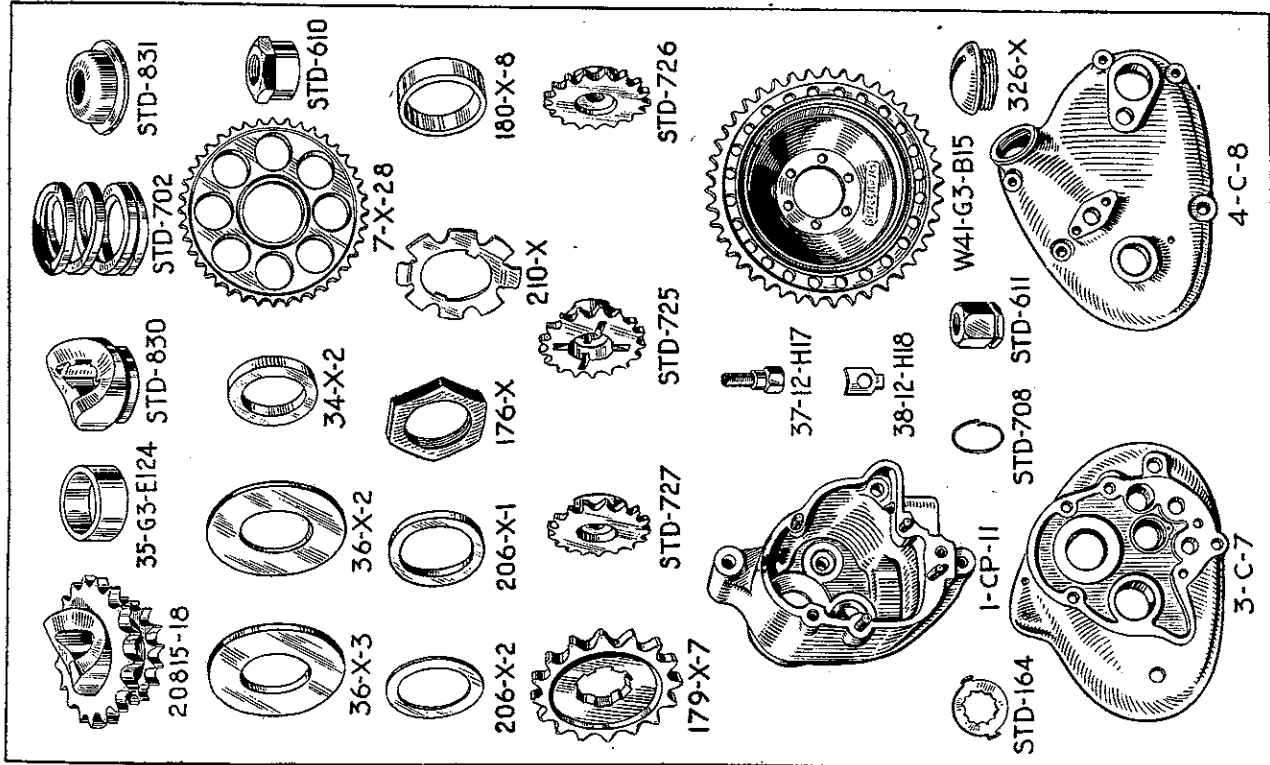
ALL PRICES, EXCEPT THOSE MARKED *, ARE SUBJECT TO 10% INCREASE.



TRANSMISSION SECTION.

| Description. | Qty. | Price Each. | Part Number. |
|---|------|-------------|----------------|
| ENGINE SPROCKET. | | | |
| Engine sprocket, bare, 18 teeth..... | 1 | 9 6 | UF-20815-18 |
| Distance collar, for engine sprocket..... | 1 | 3 9 | UF-35-G3-EI24 |
| Shock absorber cam..... | 1 | 3 3 | UF-STD-830 |
| Spring, for shock absorber..... | 1 | 1 8 | UF-STD-702 |
| Cap washer, for shock absorber spring..... | 1 | 6 | UF-STD-831 |
| Lock nut, for shock absorber..... | 1 | 6 | UF-STD-610 |
| CLUTCH SPROCKET. | | | |
| Chainwheel, bare, 40 teeth, by .305in. dia. Clutch..... | 1 | 1 0 0 | UF-7-X-28 |
| Roller race, for sprocket bearing..... | 1 | 2 0 | UF-34-X-2 |
| Rollers, for sprocket bearing (per set of)..... | 24 | 3 6 | UF-35-X |
| Thin washer, for sprocket bearing..... | 1 | 9 | UF-36-X-2 |
| Thick washer, for sprocket bearing..... | 1 | 9 | UF-36-X-3 |
| GEAR BOX SMALL SPROCKET. | | | |
| Gear box sprocket, 16 teeth, 1/2 in. by 3/8 in. dia. shaft..... | 1 | 15 0 | UF-176-X-7 |
| Distance collar, for gear box sprocket..... | 1 | 1 4 | UF-186-X-6 |
| Distance washer, for sprocket 1/2 in. thick..... | 1 | 4 9 | UF-206-X-2 |
| Not, retaining sprocket to main gear..... | 1 | 1 4 | UF-176-X |
| Collar, under sprocket nut, 1/2 in. thick..... | 1 | 6 | UF-206-X-1 |
| Lock washer for sprocket nut..... | 1 | 6 | UF-210-X-1 |
| REAR WHEEL SPROCKET. | | | |
| Brake drum and sprocket, 43 teeth..... | 1 | 1 1 0 | UF-W41-G3-B15 |
| Bolt, retaining brake drum and sprocket..... | 6 | 3 | CF-37-12-H17 |
| Lock washer, for retaining bolt..... | 6 | 2 | CF-38-12-H18 |
| Nut, for retaining bolt..... | 6 | 2 | CF-STD-4 |
| MAGNETO DRIVING SPROCKETS. | | | |
| Sprocket, on engine camshaft..... | 1 | 4 3 | UF-STD-727 |
| Washer, for camshaft sprocket..... | 1 | 1 | CF-STD-11 |
| Washer, for dynamo sprocket..... | 1 | 1 | CF-STD-10 |
| Sprocket, on magneto armature shaft..... | 1 | 4 3 | UF-STD-726 |
| Washer, for magneto sprocket..... | 1 | 1* | UF-1102-1269 |
| Nut, retaining magneto sprocket..... | 1 | 3* | UF-968-1036 |
| DYNAMO SPROCKET. | | | |
| Sprocket, on dynamo shaft..... | 1 | 3 6 | UF-STD-725 |
| Key, for dynamo sprocket..... | 1 | 2 | UF-STD-572 |
| Washer, plain, for dynamo sprocket..... | 1 | 1 | UF-STD-10 |
| Lock washer, for dynamo sprocket nut..... | 1 | 1 | UF-STD-708 |
| Lock ring, for dynamo sprocket nut..... | 1 | 6 | UF-STD-611 |
| Nut, retaining dynamo sprocket..... | 1 | 6 | UF-STD-611 |
| CHAINS. | | | |
| Front chain, 66 links, 1/2 in. by .305in. dia. shaft..... | 1 | 10 4* | UF-110046-66 |
| Rear chain, 91 links, 1/2 in. by .380in. dia. shaft..... | 1 | 1 0 2* | UF-110056-91 |
| Magneto chain, 58 links, 1/2 in. by .225in. dia. shaft..... | 1 | 5 4* | UF-110036-58 |
| Dynamo chain, 44 links, 1/2 in. by .225in. dia. shaft..... | 1 | 4 4* | UF-110026-44 |
| Connecting link, for 1/2 in. chain..... | 0 | 31* | UF-56-26 |
| Cranked link, for 1/2 in. chain..... | 0 | 31* | UF-56-26 |
| Cranked link, for 1/2 in. chain..... | 0 | 10* | UF-46-30 |
| Spring clip, for 1/2 in. connecting link..... | 0 | 1* | UF-56-30 |
| Spring clip, for 1/2 in. connecting link..... | 0 | 1* | UF-46-27 |
| *The prices of front and rear chains include connecting links, and these are for standard sprockets. Magneto and dynamo chains are endless. | | | |
| GEAR BOX | | | |
| Complete gear box..... | 1 | 9 14 3* | KF-W41-G3L-G68 |
| GEAR BOX SHELL. | | | |
| Shell, bare, Khaki-green (no provision for drain plug)..... | 1 | 1 8 0 | KF-I-CP-11 |
| Shell, bare (with provision for drain plug)..... | 1 | 1 8 0 | KF-I-CP-16 |
| Stud, for shell, 1/4 in. by 3/8 in. dia. shaft..... | 2 | 6 | UF-60-X-6 |
| Stud, for shell, 1/4 in. by 1/2 in. dia. shaft..... | 2 | 6 | UF-60-X-7 |
| Nut, for 1/4 in. stud..... | 4 | 3 | UF-152-X-1 |
| Nut, for 1/2 in. stud..... | 2 | 3 | UF-63-X |
| Plug, drain, for gear box shell..... | 2 | 6 | UF-N-8008 |
| Kick-starter case, Khaki-green..... | 1 | 15 0 | KF-3-C-7 |
| Stud, for kick-starter case, 2 1/2 in. by 1/2 in. dia. shaft..... | 1 | 6 | UF-235-X |
| Stud, for kick-starter case, 2 1/2 in. by 1/2 in. dia. shaft..... | 1 | 6 | UF-235-X |
| Grease nipple, angular, for kick-starter case..... | 1 | 2 | UF-243-X-2 |
| Covers, for kick-starter case, Khaki-green..... | 1 | 15 0 | KF-4-C-8 |
| Filler cap, for kick-starter, case cover, Khaki-green..... | 1 | 2 0 | KF-326-X |

ALL PRICES, EXCEPT THOSE MARKED *, ARE SUBJECT TO 10% INCREASE.

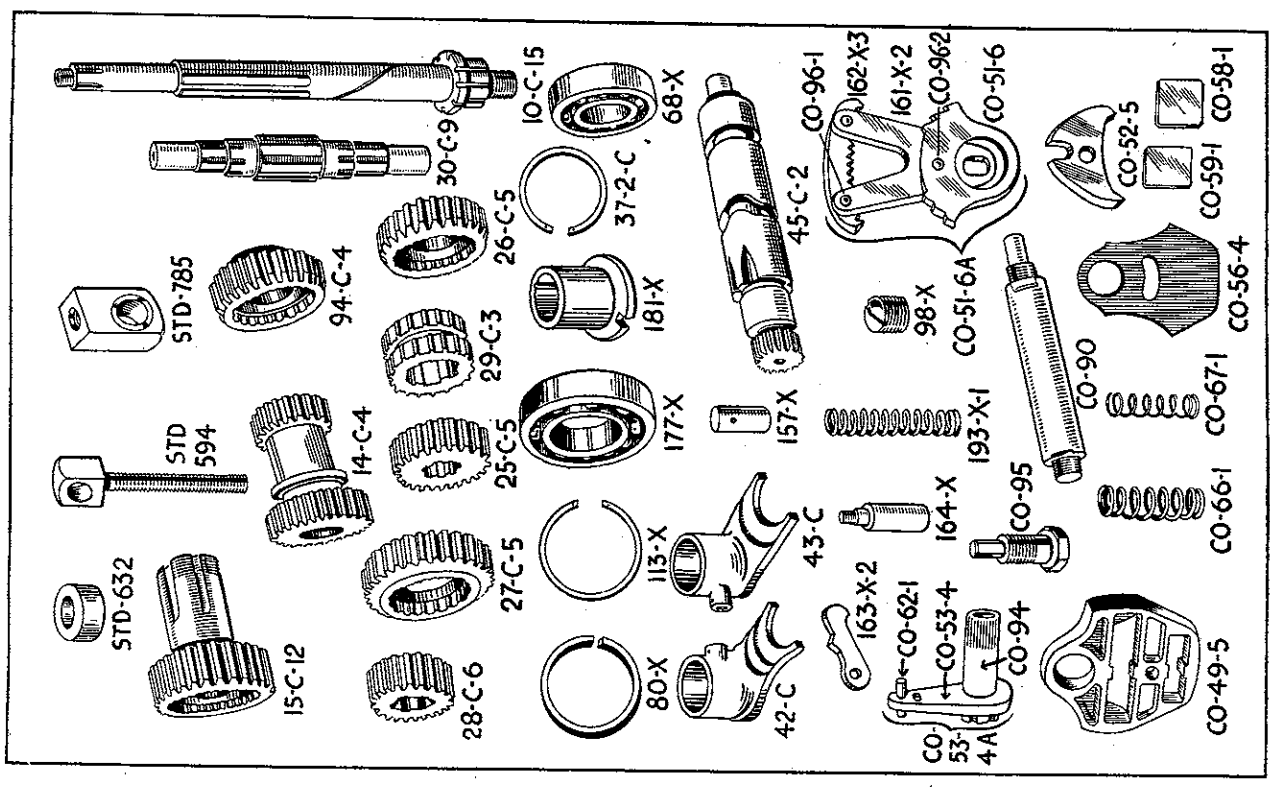


This scan is explicit for non-commercial use and is not intended for financial or material gain by anyone.

| Description. | Qty. | Price Each. | Part Number. |
|---|------|-------------|--------------|
| GEAR BOX FIXING BOLTS. | | | |
| Top fixing bolt, 4 1/4 in. by 3/8 in. | 1 | 6 | CF-STD-313 |
| Bottom fixing bolt, 1 1/4 in. by 1/8 in. | 1 | 6 | CF-STD-312 |
| Nut, for top fixing bolt. | 2 | 3 | CF-STD-32 |
| Nut, for bottom fixing bolt. | 2 | 3 | CF-STD-3 |
| Washer, for top fixing bolt, left side. | 1 | 6 | CF-STD-9 |
| Eye bolt, for front chain adjustment. | 2 | 3 | CF-STD-594 |
| Crosshead block, for eye bolt. | 1 | 2 | CF-STD-213 |
| Bolt, fixing crosshead to engine plate. | 1 | 2 | CF-STD-161 |
| Washer, for crosshead fixing bolt. | 1 | 1 | CF-STD-11 |
| SHAFTS AND GEARS. | | | |
| Mainshaft, 10 1/4 in. overall length. | 1 | 15 | UF-10-C-15 |
| Timing gear, for driving gears, 32 teeth. | 1 | 6 | UF-18-C-3 |
| Bush, for mainshaft, 18/23 teeth. | 2 | 4 | UF-14-C-4 |
| Sliding gear, for mainshaft, 29 teeth. | 1 | 10 | UF-24-C-4 |
| Small gear on layshaft, 18 teeth. | 1 | 10 | UF-30-C-9 |
| Second gear on layshaft, 27 teeth. | 1 | 10 | UF-25-C-5 |
| Third gear on layshaft, 21 teeth. | 1 | 12 | UF-26-C-5 |
| Sliding clutch, for layshaft. | 1 | 10 | UF-29-C-3 |
| GEAR BOX BEARINGS. | | | |
| Ball bearing, for main driving gear. | 1 | 15 | UF-177-X |
| Ground felt washer, for ball bearing. | 1 | 6 | UF-112-C |
| Split nut, for washer, dished. | 4 | 4 | UF-115-C |
| Split nut, for washer, dished, in shell. | 1 | 3 | UF-114-C |
| Ground outer washer, for bearing. | 1 | 4 | UF-80-X |
| Spring split ring, retaining outer washer. | 1 | 4 | UF-68-X |
| Ball bearing, for mainshaft. | 1 | 12 | UF-37-1-C-2 |
| Metal washer, for mainshaft bearing. | 1 | 4 | UF-182-X |
| Bush, for layshaft. | 1 | 4 | UF-183-X |
| Roller bearing, retaining washer. | 2 | 4 | UF-87-X |
| Peg, locating layshaft bush. | 2 | 4 | UF-193-X-1 |
| Cover washer, in shell, for layshaft bush. | 1 | 2 | UF-182-X |
| Dimensions of UF-177-X 1 1/4 in. by 6 mm. by 16 mm. Dimensions of UF-112-C 1 1/4 in. by 2 in. Dimensions of UF-114-C 1 1/4 in. by 2 1/4 in. Dimensions of UF-68-X 12 mm. by 40 mm. by 17 mm. Dimensions of UF-37-1-C-2 1 1/4 in. by 1 1/8 in. | | | |
| GEAR OPERATING PARTS. | | | |
| Operating fork, for mainshaft sliding gear. | 1 | 8 | UF-42-C |
| Operating gear, for layshaft sliding clutch. | 1 | 0 | UF-151-C |
| Pin, for operating fork. | 2 | 1 | UF-158-X |
| Split pin, for operating fork pegs. | 2 | 1 | UF-45-C-2 |
| Camshaft, bare. | 1 | 5 | UF-159-X |
| Bush, in shell, for camshaft. | 1 | 2 | UF-163-X-2 |
| Pawl, (engages in camshaft). | 1 | 1 | UF-95-X |
| Nut, for pawl bearing pin. | 1 | 3 | UF-193-X-1 |
| Spring, for pawl. | 1 | 9 | UF-98-X |
| Screwed plug, for pawl spring. | 1 | 0 | |
| All the above parts are INSIDE the GEAR BOX SHELL. | | | |
| Quadrant | 1 | 3 | UF-163-X-3 |
| Sector | 1 | 6 | UF-161-X-2 |
| Ratchet | 1 | 3 | UF-CO-51-6 |
| Quadrant, sector and ratchet assembled. | 1 | 11 | UF-CO-51-6A |
| Rivet, for fixing ratchet. | 1 | 1 | UF-CO-96-2 |
| Rivet, for fixing ratchet. | 1 | 1 | UF-CO-90 |
| Control spindle | 1 | 3 | UF-287-X |
| Nut (inside) for control spindle. | 1 | 2 | UF-CO-91 |
| Bush, for control spindle (in K.S. case) | 1 | 0 | UF-160-X-2 |
| Bush, for camshaft (in K.S. case) | 1 | 2 | UF-CO-53-4 |
| Control quadrant (per set of). | 12 | 0 | UF-CO-53-4 |
| Control quadrant | 1 | 7 | UF-CO-94 |
| Sleeve for control quadrant. | 1 | 6 | UF-CO-62-1 |
| Peg, for operating pawl. | 1 | 3 | UF-CO-53-4-A |
| Quadrant, sleeve and pawl peg, assembled. | 1 | 10 | UF-CO-53-4-A |
| Bush, for control quadrant sleeve. | 1 | 5 | UF-CO-57 |
| Bush, for sleeve bush. | 1 | 1 | UF-CO-52-5 |
| Inducing ratchet pawl | 1 | 6 | UF-CO-60-1 |
| Spindle, for inducing pawl. | 1 | 3 | UF-CO-49-5 |
| Spring box | 1 | 5 | UF-CO-56-4 |
| Cover plate, for spring box | 1 | 0 | UF-CO-65-1 |
| Main spring, for spring box (large spring) | 2 | 6 | UF-CO-65-1 |
| Spring, for spring box (small spring) | 2 | 2 | UF-CO-59-1 |
| Plate, for main spring. | 2 | 2 | UF-CO-58-1 |

All the above parts are INSIDE THE KICKSTARTER CASE.

ALL PRICES, EXCEPT THOSE MARKED *, ARE SUBJECT TO 10% INCREASE.



This scan is explicit for non-commercial use and is not intended for financial or material gain by anyone.

| Description. | Qty. | Price Each. | Part Number. |
|--|------|-------------|--------------|
| | | £ s. d. | |
| CLUTCH. | | | |
| Clutch case..... | 1 | 12 0 | UF-1-X-7 |
| Chainwheel and clutch case, assembled..... | 1 | 12 0 | UF-9-X-3 |
| Clutch centre, 1 1/2 in..... | 1 | 1 0 | UF-7-X-A-4 |
| Nut, retaining clutch centre to mainshaft..... | 1 | 0 6 | UF-2-X-15 |
| Pin, retaining clutch centre to mainshaft..... | 1 | 0 6 | UF-69-X |
| Steel washer, for centre retaining nut..... | 1 | 0 3 | UF-212-X |
| Steel plain clutch plate, thick..... | 4 | 3 6 | UF-6-X-2 |
| Steel plain clutch plate, thin..... | 4 | 5 0 | UF-5-X |
| Clutch friction plate, with inserts..... | 4 | 3 0 | UF-3-X-2 |
| Spring, pressure (one per dozen)..... | 96 | 9 0 | UF-18-X-2 |
| Spring, for clutch..... | 4 | 6 6 | UF-21-X-3 |
| Cup, for clutch spring, 1 1/2 in..... | 4 | 6 6 | UF-22-X |
| Stud, for clutch spring..... | 4 | 6 6 | UF-24-X-11 |
| Adjustment nut, for clutch spring..... | 4 | 4 4 | UF-23-X |

For the bare clutch chainwheel and roller bearings, see CLUTCH SPROCKET in the TRANSMISSION SECTION.

CLUTCH OPERATING PARTS.

| | | | |
|--|---|-----|------------|
| Thrust rod, 9 1/2 in. long..... | 1 | 1 0 | UF-28-X-4 |
| Operating plunger..... | 1 | 6 6 | UF-330-X |
| Steel ball, for operating plunger..... | 1 | 1 0 | UF-67-X |
| Operating lever..... | 1 | 2 0 | UF-175-X-4 |
| Pin, on end, for operating lever..... | 1 | 0 2 | UF-65-X-7 |
| Pin, on end, for operating lever fork..... | 1 | 1 6 | UF-65-X-7 |
| Steels, or nut, for operating lever fork..... | 1 | 1 6 | UF-331-X |
| Cap, covering sleeve, on K.S. case cover, Khaki-green..... | 1 | 1 6 | KF-328-X |
| Screw, fixing cap to K.S. case cover..... | 2 | 1 4 | UF-333-X |

GEAR CONTROL PARTS.

| | | | |
|---|---|-----|--------------|
| Neutral indicator, fixed, Khaki-green..... | 1 | 3 6 | KE-CO-97-1 |
| Neutral indicator, moving, Khaki-green..... | 1 | 3 6 | KE-CO-97 |
| Nut, retaining moving indicator, Khaki-green..... | 1 | 3 6 | KF-171-X |
| Foot control lever, bare, Khaki-green..... | 1 | 7 6 | KF-CO-92-2 |
| Foot control lever, with rubber, Khaki-green..... | 1 | 8 3 | KF-CO-92-2-A |
| Rubber, for foot control lever..... | 1 | 9 0 | UF-CO-82-2 |
| Ball, for foot control lever..... | 1 | 1 2 | UF-CO-82-3 |
| Nut, for foot lever clamping bolt, Khaki-green..... | 1 | 1 2 | KF-104-X |

KICKSTARTER.

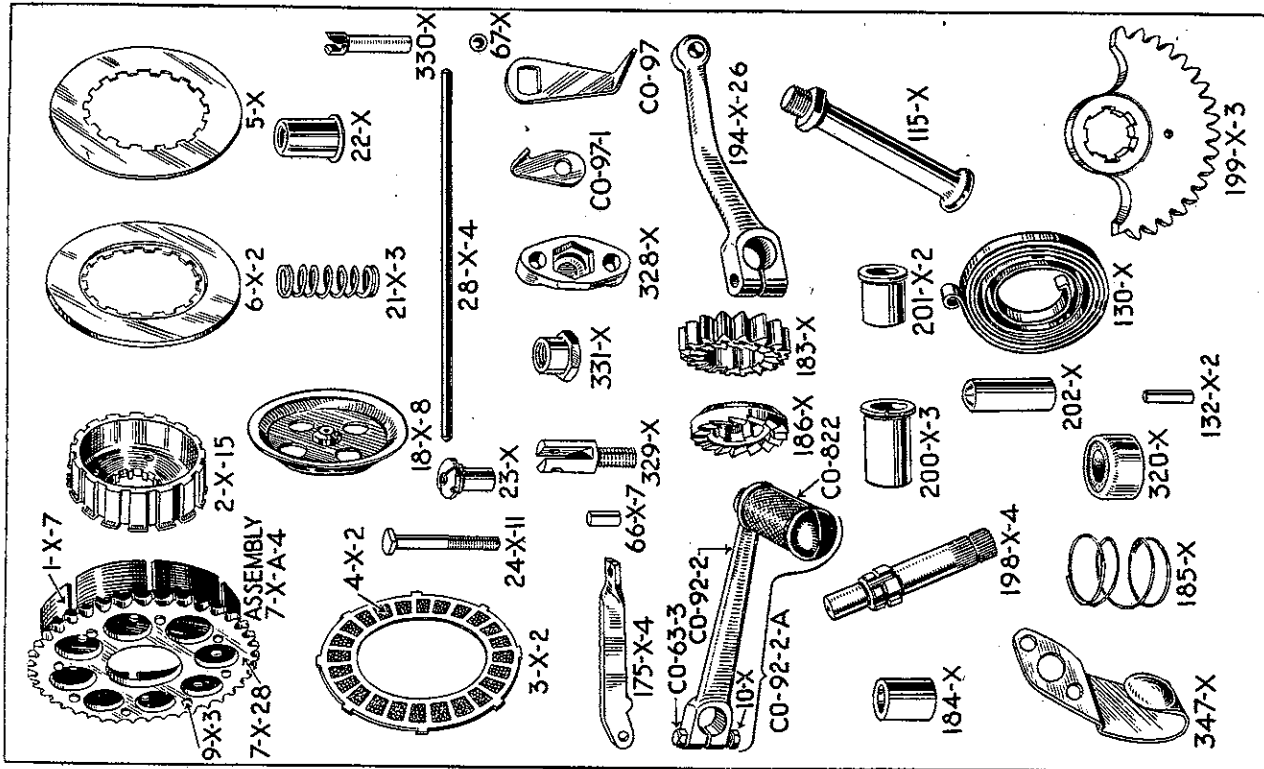
| | | | |
|--|---|------|-------------|
| Driving ratchet..... | 1 | 5 9 | UF-186-X |
| Ratchet pinion..... | 1 | 8 0 | UF-183-X |
| Bush, for ratchet pinion..... | 1 | 2 6 | UF-184-X |
| Spring, for ratchet pinion..... | 1 | 4 4 | UF-185-X |
| Spindle, for K.S. quadrant and foot lever..... | 1 | 7 6 | UF-198-X-4 |
| Bush, for K.S. spindle (in K.S. case)..... | 1 | 2 0 | UF-201-X-2 |
| Bush, for K.S. spindle (in K.S. case cover)..... | 1 | 2 0 | UF-200-X-3 |
| Quadrant, for K.S. spindle..... | 1 | 10 6 | UF-199-X-3 |
| K.S. spindle and pinion, assembled..... | 1 | 19 0 | UF-130-X-3A |
| Pin, for return spring..... | 1 | 3 6 | UF-132-X-2 |
| Stop rubber and sleeve, for quadrant..... | 1 | 6 6 | UF-320-X |
| Peg, for stop rubber and sleeve..... | 1 | 6 6 | UF-202-X |
| Spring clip—external—for crank..... | 1 | 9 0 | KF-347-X |

All the above parts are INSIDE the KICKSTARTER CASE.

| | | | |
|--|---|------|-------------|
| Kick-start foot lever, bare, Khaki-green..... | 1 | 10 6 | KE-104-X-26 |
| Pedal pin, for foot lever, Khaki-green..... | 1 | 9 0 | KF-315-X |
| Bolt, clamping foot lever to spindle, Khaki-green..... | 1 | 1 6 | UF-109-X |
| Spring washer, for lever clamping bolt..... | 1 | 1 6 | KF-144-X |
| Nut, for lever clamping bolt, Khaki-green..... | 1 | 1 6 | KF-144-X |

All the above parts are OUTSIDE the GEAR BOX

ALL PRICES, EXCEPT THOSE MARKED *, ARE SUBJECT TO 10% INCREASE.



FRAME SECTION.

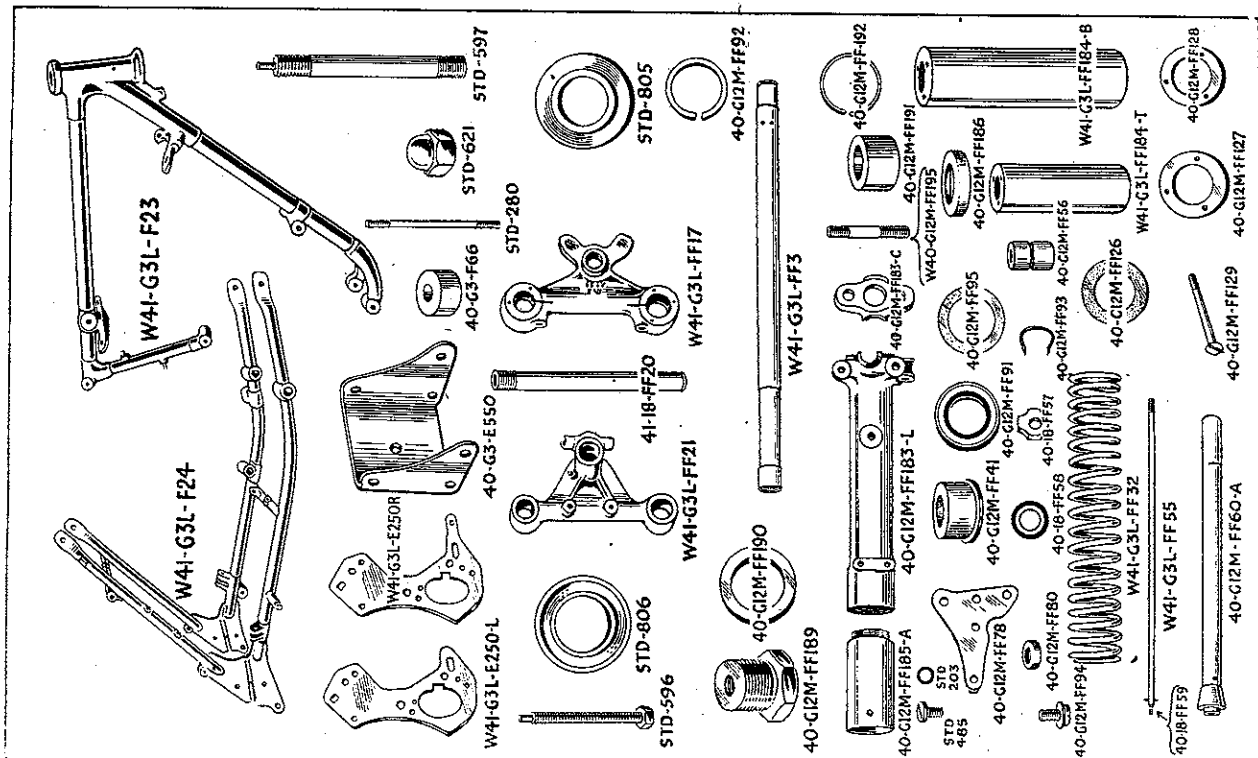
| Description. | Qty. | Price Each. | Part Number. |
|---|------|-------------|--------------------|
| | | £ s. d. | |
| FRAME. | | | |
| Frame, complete | 1 | 6 11 0 | KE-W41-G3L-F23-24 |
| Front portion of frame, bare, Khaki-green | 1 | 5 0 0 | KE-W41-G3L-F23 |
| Rear portion of frame, bare, Khaki-green | 1 | 3 0 0 | KE-W41-G3L-F24 |
| Bolt, for seat lug (under saddle) | 3 | 3 0 6 | CF-STD-597 |
| Washer, for seat lug bolt | 3 | 3 0 0 | CF-STD-8 |
| Nut, for seat lug bolt | 3 | 3 0 0 | CF-STD-4 |
| Nut, for seat tube bottom lug bolt | 2 | 3 0 0 | CF-STD-302 |
| Bolt, for seat tube bottom lug bolt | 2 | 3 0 0 | CF-STD-10 |
| Washer, for seat tube bottom lug bolt | 2 | 2 0 0 | CF-STD-280 |
| Nut, for seat tube bottom lug bolt | 2 | 2 0 0 | CF-STD-280 |
| Bolt, unting front and rear frame | 4 | 4 0 0 | KF-40-G3-F66 |
| Nut (damper frame mounting bolt), Khaki-green | 4 | 4 0 0 | CF-STD-591 |
| Nut (damper frame mounting bolt) | 4 | 4 0 0 | CF-STD-596 |
| Nut, for chain adjusting bolt | 2 | 2 0 0 | NE-STD-51 |
| Grease nipple, for head lug | 2 | 2 0 0 | KE-W41-G3L-E250R-L |
| Engine nipple, left side, Khaki-green | 1 | 6 0 0 | KE-W41-G3L-E250R-L |
| Engine nipple, right side, Khaki-green | 1 | 6 0 0 | KE-W41-G3L-E250R-R |
| Bracket for electric bell, Khaki-green | 1 | 3 0 0 | KE-W41-G3L-E330 |
| Bracket for electric bell | 1 | 3 0 0 | CF-STD-303 |
| Bolt, fixing bracket to front frame tube | 1 | 2 0 0 | CF-STD-3 |
| Nut, for bracket to front frame tube bolt | 2 | 2 0 0 | CF-STD-3 |
| Ball race for frame | 2 | 2 0 0 | UF-STD-806 |
| Balls, 3/4 in. diameter, for steering head | 53 | 1 0 0 | UF-STD-72 |

FORKS.

| | | | |
|--|---|--------|--------------------|
| Fork crown | 1 | 3 0 6 | KE-W41-G3L-FE17 |
| Ball race, for fork crown | 1 | 3 0 0 | UF-STD-805 |
| Washer, for fork crown | 1 | 3 0 0 | CF-STD-769 |
| Head stem | 2 | 4 0 0 | UF-STD-11-F20 |
| Handbar lug | 1 | 12 0 0 | UF-40-G12M-FP92 |
| Ball race, for handbar lug | 1 | 2 0 0 | KE-W41-G3L-FE21 |
| Adjusting nut, for head stem | 2 | 2 0 0 | NE-STD-51 |
| Lock nut (domed), for adjusting nut | 2 | 2 0 0 | CF-LA-F66 |
| Tube, inner, fixed | 1 | 16 0 0 | UR-W41-G3L-FE3 |
| Bush, bottom, for fixed inner tube | 1 | 1 0 0 | UF-40-G12M-FE191 |
| Chisel, for bottom bush | 1 | 1 0 0 | UF-40-G12M-FE192 |
| Bush, top, for fixed inner tube | 1 | 1 0 0 | CF-40-G12M-FE189 |
| Washer, for inner tube top bush | 1 | 1 0 0 | CF-40-G12M-FE188 |
| Fork slider, left side | 1 | 5 0 0 | KE-40-G12M-FE183-L |
| Fork slider, right side | 1 | 2 0 0 | KF-40-G12M-FE183-R |
| Cap, for fork slider | 2 | 4 0 0 | UF-40-G12M-FE183-C |
| Slider extension | 2 | 4 0 0 | UF-40-G12M-FE185-A |
| Tube, cover, top | 1 | 1 0 0 | UF-40-G12M-FE185-A |
| Oil seal, for fork tube | 1 | 3 0 0 | UF-40-G12M-FE185-A |
| Washer (paper), for oil seal | 1 | 3 0 0 | UF-40-G12M-FE185-A |
| Spring, for fork | 6 | 6 0 0 | UF-W41-G3L-FE32 |
| Washer (leather), seating, for spring | 6 | 2 0 0 | UF-40-G12M-FE126 |
| Tube, cover, top | 1 | 1 0 0 | KE-W41-G3L-FE184-T |
| Plate, locating, for top plate (screwed) | 1 | 1 0 0 | UF-40-G12M-FE196 |
| Tube, locating, for bottom tube (plain) | 2 | 2 0 0 | KE-W41-G3L-FE184-B |
| screw, retaining both locating plates | 2 | 2 0 0 | UF-40-G12M-FE127 |
| Washer (fibres), for oil level plug | 1 | 1 0 0 | CF-STD-483 |
| Rod, for damper | 1 | 1 0 0 | UF-W41-G3L-FE55 |
| Nut, lock, for top of damper | 2 | 2 0 0 | CF-STD-4 |
| Washer, for top of damper | 2 | 2 0 0 | UF-40-G12M-FE60-A |
| Washer, for damper tube | 4 | 4 0 0 | UF-40-G12M-FE56 |
| Pin, stop, for damper tube valve | 1 | 1 0 0 | UF-40-G12M-FE57 |
| Nut, lock, for damper tube valve | 1 | 1 0 0 | UF-40-G12M-FE59 |
| Washer, for damper tube valve | 1 | 1 0 0 | CF-STD-5 |
| Washer, retaining damper sleeve | 1 | 1 0 0 | UF-40-G12M-FE80 |
| Bolt, for damper tube (top) | 1 | 1 0 0 | UF-40-G12M-FE80 |
| Bolt, for damper tube (bottom) | 1 | 1 0 0 | CF-40-G12M-FE78 |
| Bracket, for speedometer | 2 | 2 0 0 | CF-STD-142 |
| Bolt, fixing speedometer bracket | 2 | 2 0 0 | CF-STD-12 |
| Washer, for speedometer bracket bolt | 2 | 2 0 0 | UF-W40-G12M-FE195 |
| Stud, securing front wheel axle | 1 | 1 0 0 | CF-STD-12 |
| Nut, for front wheel axle stud | 4 | 4 0 0 | CF-STD-4 |

(SEE NEXT PAGE FOR COMPLETE FORK ASSEMBLIES.)

ALL PRICES, EXCEPT THOSE MARKED*, ARE SUBJECT TO 10% INCREASE.

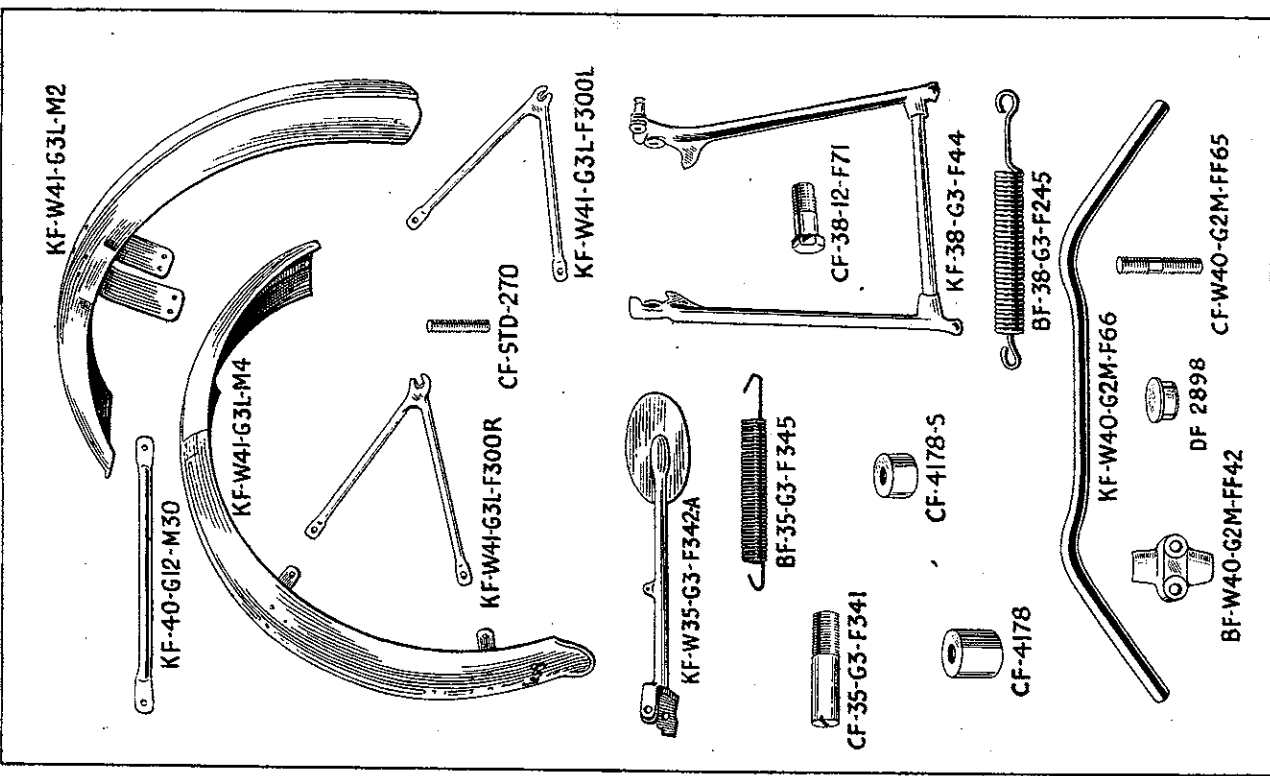


A COMPLETE FRONT FORK ASSEMBLY COMPRISES ALL THE PARTS LISTED IN THE FORK GROUP ON THE PREVIOUS PAGE. THE COST IS £8 17s. 4d. AND THE PART NUMBER W41-G3L-FF1.

FOR EASE OF SERVICING, THE MAIN FORK UNITS ARE LISTED AND SUPPLIED AS SEPARATE ASSEMBLIES, THE OBJECT BEING TO ENABLE A COMPLETE ASSEMBLY TO BE EXCHANGED IN THE MINIMUM OF TIME. THESE COMPLETE ASSEMBLIES ARE LISTED BELOW

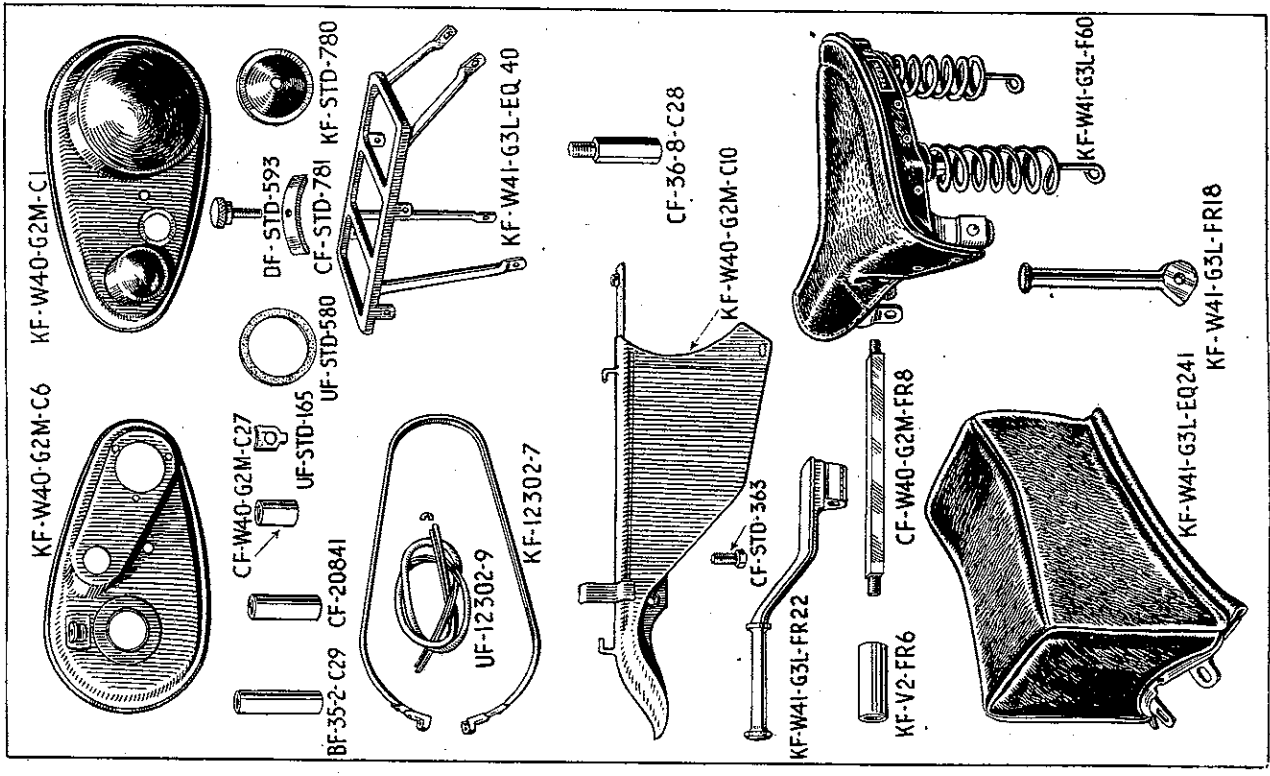
| Description. | Qty. | Price Each. | Part Number. |
|---|------|-------------|-------------------|
| | | £ s. d. | |
| Front fork central tube assembly..... | 2 | 1 14 0 | KF-W41-G3L-FF201 |
| The above assembly comprises all those parts in the fork section (page 16) that are marked A. | | | |
| Front fork damper tube assembly..... | 2 | 5 0 | UF-W41-G3L-FF202 |
| The above assembly fits inside the central tube assembly and comprises all those parts in the fork section (page 16) that are marked B. | | | |
| HANDLEBAR. | | | |
| Handlebar, bare, Khaki-green..... | 1 | 12 6 | KF-W40-G2M-FF66 |
| Half clip, only, for handlebar..... | 1 | 1 3 | BF-W40-G2M-FF42 |
| Stud, for handlebar clip..... | 2 | 1 1 | CF-W40-G2M-FF65 |
| Washer, for handlebar clip stud..... | 2 | 1 1 | CF-STD-11 |
| Nut, for handlebar clip stud..... | 2 | 1 3 | CF-STD-4 |
| End plug, for handlebars..... | 2 | 1 3 | DF-2898 |
| REAR STAND. | | | |
| Rear stand, bare, Khaki-green..... | 1 | 19 6 | KF-38-G3-F44 |
| Bolt, fixing stay to fork end..... | 1 | 6 | CF-38-12-F71 |
| Nut, for fixing bolt..... | 1 | 6 | CF-STD-71 |
| Return spring, for rear stand..... | 1 | 1 6 | BF-38-G3-F45 |
| PROP STAND. | | | |
| Prop stand leg, bare, Khaki-green..... | 1 | 8 6 | KF-W35-G3-F342-A |
| Bolt, for fixing prop stand leg..... | 1 | 4 | CF-35-G3-F341 |
| Nut, for fixing bolt..... | 1 | 4 | CF-STD-3 |
| Return spring, for prop stand leg..... | 1 | 6 | BF-35-G3-F345 |
| FRONT MUDGUARD. | | | |
| Mudguard, bare, Khaki-green..... | 1 | 12 6 | KF-W41-G3L-M2 |
| Bolt, fixing bolt to fork end..... | 4 | 1 | CF-W41-G3L-M38 |
| Washer, for bracket fixing bolt..... | 4 | 1 | CF-40-G12-M30 |
| Stay, for mudguard, Khaki-green..... | 4 | 2 | KF-STD-70 |
| Bolt, fixing stay to mudguard..... | 4 | 1 | BF-STD-191 |
| Spring washer, for stay to guard bolt..... | 4 | 1 | CF-STD-12 |
| Nut, for stay to guard bolt..... | 4 | 2 | CF-W41-G3L-M38 |
| Bolt, fixing stay to fork end..... | 4 | 2 | CF-STD-192 |
| Washer, for stay to fork end bolt..... | 4 | 1 | |
| REAR MUDGUARD. | | | |
| Mudguard, bare, Khaki-green..... | 1 | 0 | KF-W41-G3L-M4 |
| Nut, uniting front and rear portions, Khaki-green..... | 2 | 0 | KF-STD-5 |
| Washer, for guard uniting nut..... | 2 | 1 | CF-STD-12 |
| Bolt, fixing guard to bottom bridge..... | 1 | 3 | CF-STD-345 |
| Spring washer, for bottom bridge bolt..... | 1 | 1 | BF-STD-191 |
| Nut, for bottom bridge bolt..... | 1 | 2 | CF-STD-3 |
| Bolt, fixing guard to oil tank bracket..... | 1 | 2 | CF-STD-369 |
| Spacer, thin, for oil tank bracket bolt..... | 1 | 4 | CF-4178-S |
| Washer, for oil tank bracket bolt..... | 1 | 4 | CF-STD-11 |
| Nut, for oil tank bracket bolt (plain)..... | 1 | 1 | CF-STD-192 |
| Nut, for oil tank bracket bolt (spring)..... | 1 | 2 | CF-STD-346 |
| Spring washer for top bridge bolt..... | 2 | 3 | CF-STD-191 |
| Nut, for top bridge bolt..... | 1 | 2 | CF-STD-5 |
| Stay assembly, for guard, left side..... | 1 | 9 9 | KF-W41-G3L-F300-L |
| Stay assembly, for guard, right side..... | 1 | 9 9 | KF-W41-G3L-F300-R |
| Nut, locking stay stud in fork end..... | 2 | 2 | CF-STD-70 |
| Nut, locking stay stud in fork end..... | 2 | 2 | CF-STD-213 |
| Bolt, fixing guard to rear of stay..... | 2 | 3 | CF-STD-363 |
| Spring washer, for rear stay bolt..... | 2 | 1 | BF-STD-192 |
| Bolt, for rear stay bolt..... of stay, left..... | 2 | 2 | CF-STD-14 |
| Bolt, for rear stay bolt..... of stay, right..... | 1 | 2 | CF-STD-384 |
| Spring washer, for front stay bolt..... | 1 | 4 | BF-STD-192 |
| Nut, for front stay bolt..... | 2 | 2 | CF-STD-4 |

ALL PRICES, EXCEPT THOSE MARKED *, ARE SUBJECT TO 10% INCREASE.



| Description. | Qty. | Price Each. | Part Number. |
|--|------|-------------|-------------------|
| | | £ s. d. | |
| REAR CARRIER. | | | |
| Rear carrier, bare, Khaki-green..... | 1 | 13 6 | KF-W41-G3L-EQ 40 |
| For the fixing bolts see the REAR MUDGUARD. | | | |
| FRONT CHAINCASE. | | | |
| Chaincase, complete, Khaki-green..... | 1 | 15 0 | KF-W40-G2M-C6 |
| Chaincase, front half, bare, Khaki-green..... | 1 | 12 0 | KF-W40-G2M-C6 |
| Chaincase, front half, bare, Khaki-green..... | 1 | 12 0 | KF-W40-G2M-C6 |
| Metal band, for chaincase, Khaki-green..... | 1 | 5 0 | KF-12302-7 |
| Screw, clamping metal band for chaincase..... | 1 | 2 0 | CF-STD-452 |
| Rubber fillet (for joint) for chaincase band..... | 1 | 6 0 | UF-12302-9 |
| Inspection cap, complete, Khaki-green..... | 1 | 1 4 | KF-STD-780 |
| Inspection cap, complete, Khaki-green..... | 1 | 1 4 | KF-STD-780 |
| Cork washer, for inspection cap..... | 1 | 4 0 | DF-STD-593 |
| Knurled screw, for inspection cap..... | 1 | 4 0 | DF-STD-781 |
| Back plate, for knurled screw..... | 1 | 4 0 | CF-STD-781 |
| Bolt, fixing chaincase to engine..... | 1 | 2 0 | UF-STD-465 |
| Washer, for centre bolt (inside chaincase)..... | 1 | 2 0 | CF-STD-315 |
| Bolt, fixing centre of engine..... | 1 | 3 0 | CF-20841 |
| Spacer, for centre bolt (between engine plates)..... | 1 | 3 0 | CF-W40-G2M-C27 |
| Spacer, for centre bolt (outside engine plate)..... | 1 | 3 0 | CF-W40-G2M-C27 |
| Washer, for centre bolt..... | 1 | 6 0 | BF-352-C29 |
| Washer, for centre bolt..... | 1 | 3 0 | CF-STD-9 |
| Nut, for centre bolt..... | 3 | 3 0 | CF-STD-2 |
| REAR CHAINGUARD. | | | |
| Chainguard, bare, Khaki-green..... | 1 | 17 6 | KF-W40-G2M-C10 |
| Bolt, fixing top of guard, in front..... | 1 | 4 0 | CF-36-8-C28 |
| Washer, for top of guard, in front..... | 1 | 2 0 | CF-STD-11 |
| Bolt, fixing bottom of guard, in front..... | 1 | 2 0 | CF-STD-10 |
| Washer, for bottom of guard, in front..... | 1 | 2 0 | CF-STD-10 |
| Nut, for bottom of guard..... | 1 | 3 0 | CF-STD-2 |
| Bolt, fixing rear of guard..... | 1 | 3 0 | CF-STD-363 |
| Washer, for rear of guard fixing bolt..... | 1 | 1 0 | CF-STD-11 |
| FOOTRESTS. | | | |
| Footrest, rod, bare..... | 1 | 1 3 | CF-W40-G2M-FR8 |
| Spacer, for rod, inside engine plates..... | 1 | 5 0 | KF-V2-FR6 |
| Washer, for footrest rod..... | 1 | 1 0 | BF-STD-194 |
| Footrest, complete, bare..... | 2 | 7 6 | KF-W41-G3L-FR22 |
| Footrest arm (or hanger), Khaki-green..... | 2 | 7 6 | KF-W41-G3L-FR22 |
| PILLION FOOTRESTS. | | | |
| Spindle, for pillion footrests..... | 2 | 1 9 | KF-W41-G3L-FR18 |
| Bolt, pivot, for footrest spindle..... | 2 | 4 0 | CF-STD-403 |
| Nut, for spindle pivot bolt..... | 2 | 4 0 | CF-STD-79 |
| Pillion footrests, complete, per pair..... | 1 | 4 6 | KF-W41-G3L-FR18-A |
| SADDLE. | | | |
| Saddle with springs..... | 1 | 10 10* | KF-W41-G3L-F60 |
| Rexine cover (for saddle top), bare..... | 1 | 8 6* | BF-38-G3-E601 |
| Rear spring, for saddle..... | 2 | 1 5 | CF-STD-410 |
| Washer, for saddle..... | 1 | 5 0 | CF-STD-410 |
| Washer, for hinge bolt..... | 1 | 1 0 | CF-STD-10 |
| Nut, for hinge bolt..... | 1 | 2 0 | CF-STD-3 |
| Bolt, fixing spring to frame bolt..... | 2 | 3 0 | CF-STD-368 |
| Washer, for spring to frame bolt..... | 2 | 1 0 | CF-STD-11 |
| Nut, for spring to frame bolt..... | 2 | 2 0 | CF-STD-4 |
| PILLION SEAT. | | | |
| Pillion seat..... | 1 | 18 0* | KF-W41-G3L-EQ241 |
| Bolt, fixing pillion seat bolt..... | 4 | 1 0 | CF-STD-9 |
| Nut, for pillion seat bolt..... | 4 | 2 0 | CF-STD-5 |
| NAME TRANSFERS. | | | |
| Transfer for rear mudguard..... | 1 | 4 0 | OF-38-G3-FR3 |
| Transfer for top of oil tank..... | 1 | 2 0 | OF-38-G3-FR1 |
| Transfer for side of oil tank..... | 1 | 2 0 | OF-38-G3-F92 |
| Transfer for front chaincase..... | 1 | 2 0 | OF-38-G3-F93 |

ALL PRICES, EXCEPT THOSE MARKED *, ARE SUBJECT TO 10% INCREASE.



This scan is explicit for non-commercial use and is not intended for financial or material gain by anyone.

CONTROL LEVER SECTION.

| Description. | Qty. | Price Each. | Part Number. |
|--|------|-------------|------------------|
| £ s. d. | | | |
| TWIST GRIP. | | | |
| Twist grip, complete..... | 1 | 8 0* | DF-SCH-4-139 |
| Half friction spring..... | 1 | 3 9* | DF-3438-B |
| Half clip plain..... | 1 | 4 | DF-2114-A |
| Screw, clamping half clips..... | 2 | 3* | UF-1436-A |
| Friction spring..... | 1 | 24* | DF-RC-40 |
| Adjusting bolt, for friction spring..... | 1 | 18* | DF-RC-41 |
| Lock nut, for adjusting bolt..... | 1 | 10* | UF-4435-A |
| Rubber grip, only, for sleeve..... | 1 | 5* | UF-3440-B-5980-A |
| Sleeve, with rubber grip fitted..... | 1 | 2 4* | DF-3434 |
| Split adaptor, for throttle casing..... | 1 | 11* | UF-5980-B |

DUMMY GRIP.

Dummy grip..... 11* ... UF-5980-B

CLUTCH AND IGNITION CONTROLS.

Lever assembly, complete..... 9 0* ... DF-SCH-4-115
 Body, only, for clutch lever..... 3 0* ... DF-5955-2
 Body, only, for ignition lever..... 2 0* ... DF-6425
 Lever, only, for clutch (long)..... 2 0* ... DF-5990-A
 Lever, only, for ignition (short)..... 2 4* ... DF-5962-A

BRAKE AND AIR CONTROLS.

Lever assembly, complete..... 9 0* ... DF-SCH-4-116
 Body only, for brake lever..... 3 0* ... DF-5955-2
 Body, only, for air lever..... 2 0* ... DF-5990-A
 Lever, only, for brake (long)..... 2 0* ... DF-5961-A
 Lever, only, for air (short)..... 2 4*

FITTINGS FOR CLUTCH, BRAKE, IGNITION AND AIR LEVERS.

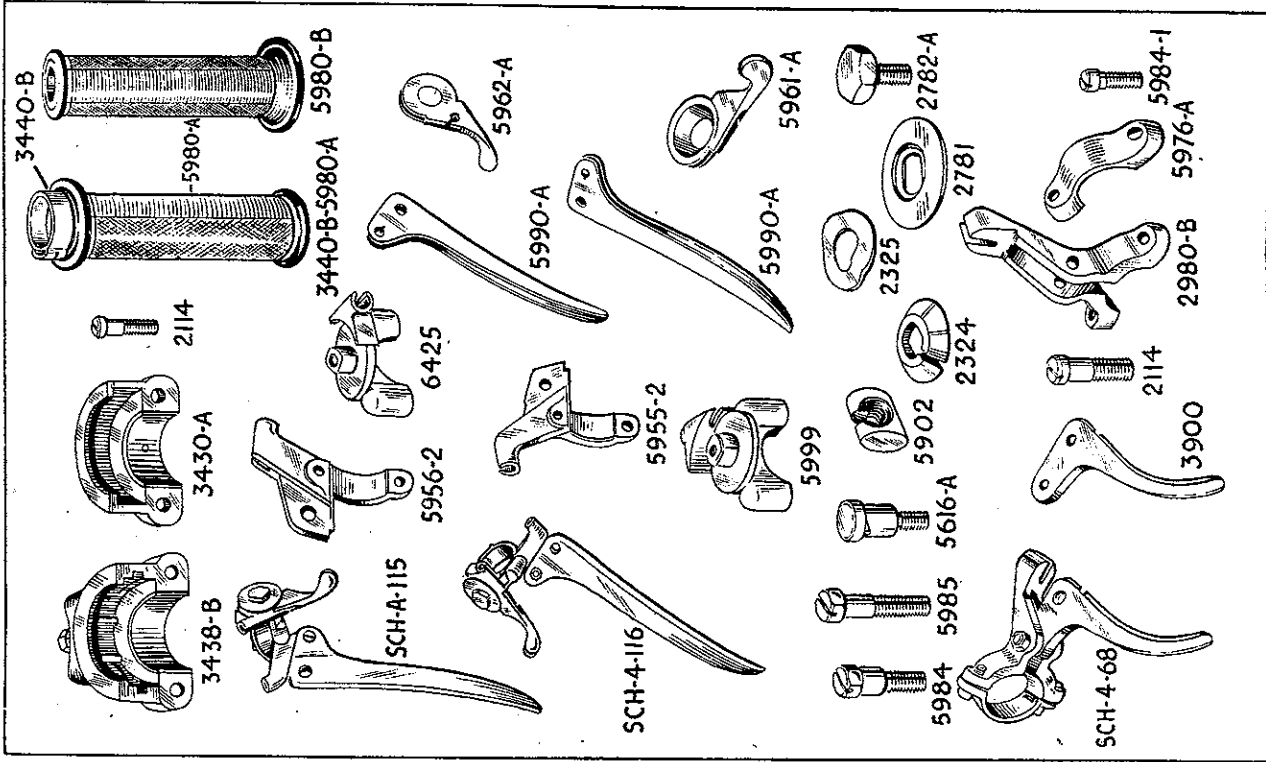
Bolt, clamping bodies (with sleeve)..... 3* ... DF-5984
 Bolt, clamping bodies (plain)..... 2* ... DF-5985
 Fulcrum screw, for long levers..... 3* ... DF-5616-A
 Nut, for fulcrum screw..... 4* ... DF-5931
 Nut, for fulcrum screw..... 3* ... DF-5902
 Roller adaptor, for long levers..... 3* ... UF-2324
 Fibre washer, grey, for short levers..... 1* ... UF-2325
 Spring washer, for short levers..... 6* ... DF-2782-A
 Central screw, for short levers..... 4* ... DF-2781
 Cap, for short levers..... 4*

The quantities given above are those for one lever assembly only.

EXHAUST LIFTER LEVER.

Exhaust lifter lever, complete assembly..... 5 10* ... DF-SCH-4-68
 Exhaust lifter lever, only..... 3 3* ... DF-3900
 Nut, for fulcrum screw..... 2* ... DF-114
 Body, for exhaust lifter lever..... 2 8* ... DF-2980-B
 Half clip, for lever body..... 2 9* ... DF-5976-A
 Screw, clamping half clip..... 3* ... DF-5984

ALL PRICES, EXCEPT THOSE MARKED *, ARE SUBJECT TO 10% INCREASE.



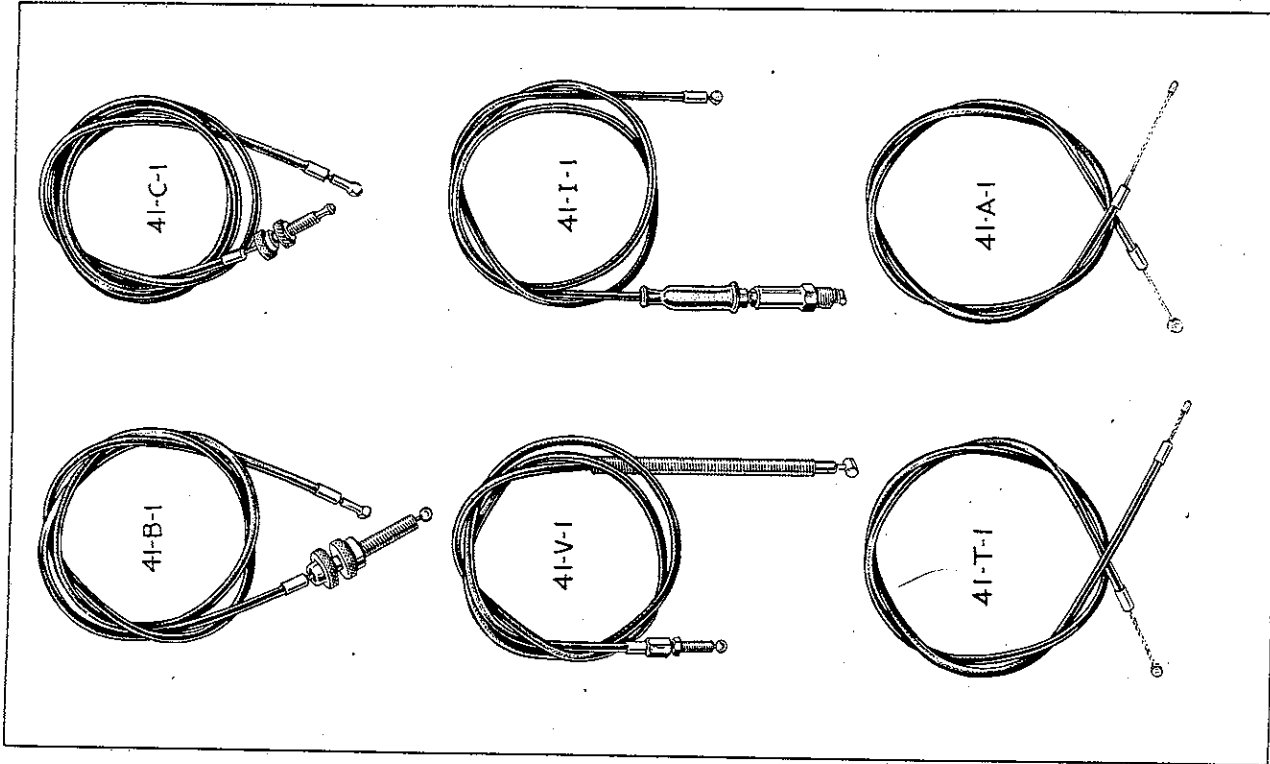
CONTROL CABLE SECTION.

THE COMPLETE CONTROL CABLES LISTED IN THE FOLLOWING SIX PARAGRAPHS INCLUDE ALL THE PARTS THAT MUST BE THREADED ON THE INNER CABLES BEFORE THE NIPPLES ARE FITTED. THEY ARE ASSEMBLED READY FOR USE.

THE INNER WIRES DO NOT INCLUDE THE NIPPLES AND THE OUTER CASINGS DO NOT INCLUDE THE END FERRULES.

| Description. | Qty. | Price Each. | Part Number. |
|--|------|-------------|--------------|
| £ s. d. | | | |
| FRONT BRAKE CABLE. | | | |
| Front brake cable, complete, assembled..... | 1 | 4 9 | DF-41-B-1 |
| Inner wire, bare, 44in..... | 1 | 3 | UF-12-44 |
| Nipple, for inner wire, brake end..... | 1 | 1 | UF-593 |
| Outer casing, bare, handlebar end..... | 1 | 1 0 | UF-538 |
| Outer casing, bare, 47in..... | 2 | 2 | BF-12E-38 |
| Ferrule, for outer casing..... | 2 | 2 | BF-STD-50 |
| Clip, to cover grease patch on casing..... | 1 | 0 | DF-16365 |
| Knurled adjuster, for brake cable..... | 1 | 10 | DF-16482 |
| Lock nut, for knurled adjuster..... | 1 | 3 | DF-16482-736 |
| Pin, for yoke end..... | 1 | 3 | UF-STD-14 |
| Split pin, for yoke end pin..... | 1 | 4 | UF-STD-14 |
| CLUTCH CABLE. | | | |
| Clutch cable, complete, assembled..... | 1 | 4 9 | DF-41-C-1 |
| Inner wire, bare, 53in..... | 1 | 3 | UF-12-53 |
| Nipple, for inner wire, gear box end..... | 1 | 1 | UF-4 |
| Outer casing, bare, handlebar end..... | 1 | 2 | UF-538 |
| Outer casing, bare, 47in..... | 2 | 2 | BF-12E-47 |
| Ferrule, for outer casing..... | 2 | 2 | BF-STD-50 |
| Clip, to cover grease patch on casing..... | 1 | 5 | DF-20876 |
| Adjuster, for clutch casing..... | 1 | 4 | DF-STD-612 |
| Lock nut, for cable adjuster..... | 1 | 4 | DF-STD-612 |
| VALVE LIFTER CABLE. | | | |
| Valve lifter cable, complete, assembled..... | 1 | 3 6 | DF-41-V-1 |
| Inner wire, bare, 42in..... | 1 | 7 | UF-12-34 |
| Nipple, for inner wire, casing end..... | 1 | 1 | UF-2368 |
| Nipple, for inner wire, handlebar end..... | 1 | 1 5 | BF-12C-30 |
| Outer casing, bare, 30in..... | 1 | 1 | NF-12E |
| Ferrule, for outer casing..... | 2 | 2 | BF-STD-50 |
| Clip, to cover grease patch on casing..... | 1 | 3 | NF-STD-409 |
| Adjuster, for valve lifter cable..... | 1 | 2 | DF-STD-622 |
| Lock nut, for cable adjuster..... | 1 | 2 | DF-STD-622 |
| IGNITION CONTROL CABLE. | | | |
| Ignition cable, complete, assembled..... | 1 | 4 0 | DF-41-I-1 |
| Inner wire, bare, 45in..... | 1 | 8 | UF-11-45 |
| Nipple, for inner wire, magneto end..... | 1 | 6 | UF-MC4 |
| Nipple, for inner wire, handlebar end..... | 1 | 1 8 | UF-3327-593 |
| Outer casing, bare, 39in..... | 1 | 1 | NF-11E |
| Ferrule, for outer casing..... | 2 | 2 | BF-STD-50 |
| Clip, to cover grease patch on casing..... | 1 | 2 | DF-MC9 |
| Rubber cap, for cable entry to magneto..... | 1 | 3 | DF-MC7-8 |
| Cable adjuster, with lock nut..... | 1 | 5 | UF-MC5 |
| Cable return spring..... | 1 | 2 | UF-MC5 |
| THROTTLE CONTROL CABLE. | | | |
| Throttle cable, complete, assembled..... | 1 | 3 3 | DF-41-T-1 |
| Inner wire, bare, 42in..... | 1 | 2 | UF-11-42 |
| Nipple, for inner wire, carburettor end..... | 1 | 2 | UF-1482 |
| Nipple, for inner wire, handlebar end..... | 1 | 1 6 | UF-3327 |
| Outer casing, bare, 37in..... | 1 | 1 | BF-11E-36 |
| Ferrule, for outer casing..... | 2 | 2 | BF-STD-50 |
| Clip, to cover grease patch on casing..... | 1 | 4* | DF-14-035 |
| Cable adjuster..... | 1 | 4* | DF-14-035 |
| AIR CONTROL CABLE. | | | |
| Air cable, complete, assembled..... | 1 | 3 3 | DF-41-A-1 |
| Inner wire, bare, 37in..... | 1 | 2 | UF-11-37 |
| Nipple, for inner wire, carburettor end..... | 1 | 2 | UF-1482 |
| Nipple, for inner wire, handlebar end..... | 1 | 1 3 | UF-3327 |
| Outer casing, bare, 37in..... | 1 | 1 | BF-11E-31 |
| Ferrule, for outer casing..... | 2 | 2 | BF-STD-50 |
| Clip, to cover grease patch on casing..... | 1 | 4* | DF-14-035 |
| Cable adjuster..... | 1 | 4* | DF-14-035 |

ALL PRICES, EXCEPT THOSE MARKED *, ARE SUBJECT TO 10% INCREASE.



This stan is explicit for non-commercial use and is not intended for financial or material gain by anyone

TANK SECTION.

| Description. | Qty. | Price Each. | Part Number. |
|---|------|-------------|-----------------|
| PETROL TANK. | | | |
| Petrol tank, bare, Khaki-green..... | 1 | £ 4 13 6 | KF-W41-G3L-T105 |
| Bolt, fixing tank to frame..... | 4 | .. | CF-38-G3-T15-A |
| Rubber pad, thick, for tank fixing bolts..... | 4 | .. | UF-16413 |
| Rubber pad, thin, for tank fixing bolts..... | 4 | .. | UF-16414 |
| Metal washer, for tank fixing bolts..... | 3 | .. | CF-STD-173 |
| PETROL TANK FITTINGS. | | | |
| Filler cap, for petrol tank..... | 1 | 3 0 | DF-35-G3-T130 |
| Washer, only for filler cap..... | 1 | 3 0 | DF-17-30-C |
| Washer, only for oil tank..... | 1 | 3 0 | DF-17-30-C |
| Banjo nut, for tank connection pipe..... | 1 | 1 2 | DF-17-208 |
| Fibre washer, small, for tap and pin..... | 2 | 2 | UF-STD-200 |
| Fibre washer, large, for tap and pin..... | 2 | 2 | UF-STD-201 |
| Wing emblem, for tank, left side..... | 1 | 1 6 | DF-38-G3-T37-L |
| Wing emblem, for tank, right side..... | 1 | 1 6 | DF-38-G3-T37-R |
| Embossed letter M, for tank, left side..... | 1 | 1 6 | DF-D5-T300-L |
| Embossed letter M, for tank, right side..... | 1 | 1 6 | DF-D5-T300-R |
| Screw, fixing letter M and wing emblem..... | 4 | 2 | DF-STD-150 |

| | | | |
|--|---|-----|----------------|
| OIL TANK. | | | |
| Tank, bare, Khaki-green..... | 1 | 2 6 | KF-W40-G2M-T45 |
| Filler cap, for oil tank..... | 1 | 3 0 | DF-35-G3-T110 |
| Washer, only for filler cap..... | 1 | 3 0 | UF-AT-30-C |
| Drain plug, for oil tank..... | 1 | 3 | CF-STD-599 |
| Washer, fibre, for drain plug..... | 2 | 2 | UF-STD-200 |
| Felt filter, or cartridge..... | 1 | 2 6 | UF-STD-796 |
| Drain plug, for oil tank..... | 1 | 3 | CF-STD-599 |
| Drain plug, for oil tank..... | 1 | 3 | CF-STD-599 |
| Drain plug, for oil tank..... | 1 | 3 | CF-STD-599 |
| Screwed cap, for filter compartment..... | 1 | 1 6 | DF-STD-795 |
| Cork washer, for compartment cap..... | 1 | 2 | UF-STD-583 |

For the nuts and washers fixing the oil tank to the frame see BATTERY CARRIER.

For the bolt, spacers, washer and nut fixing the oil tank to the rear mudguard, see REAR MUDGUARD.

| | | | |
|--|---|-----|----------------|
| PETROL PIPE AND FITTINGS. | | | |
| Feed pipe, complete with pipes and nuts..... | 1 | 3 0 | DF-W39-G3-T54 |
| Nipple, for petrol pipe, carburettor end..... | 1 | 3 6 | UF-STD-504 |
| Nipple, for petrol pipe, tank end..... | 1 | 3 6 | UF-14-026 |
| Union nut, for petrol pipe, tank end..... | 1 | 4 | UF-STD-504-N |
| Union nut, for petrol pipe, carburettor end..... | 1 | 6* | UF-14-062 |
| Tank connection pipe with banjo unions..... | 1 | 4 0 | DF-38-G3-T23-A |
| Banjo union, for tank connection pipe..... | 2 | 8 | UF-STD-500 |

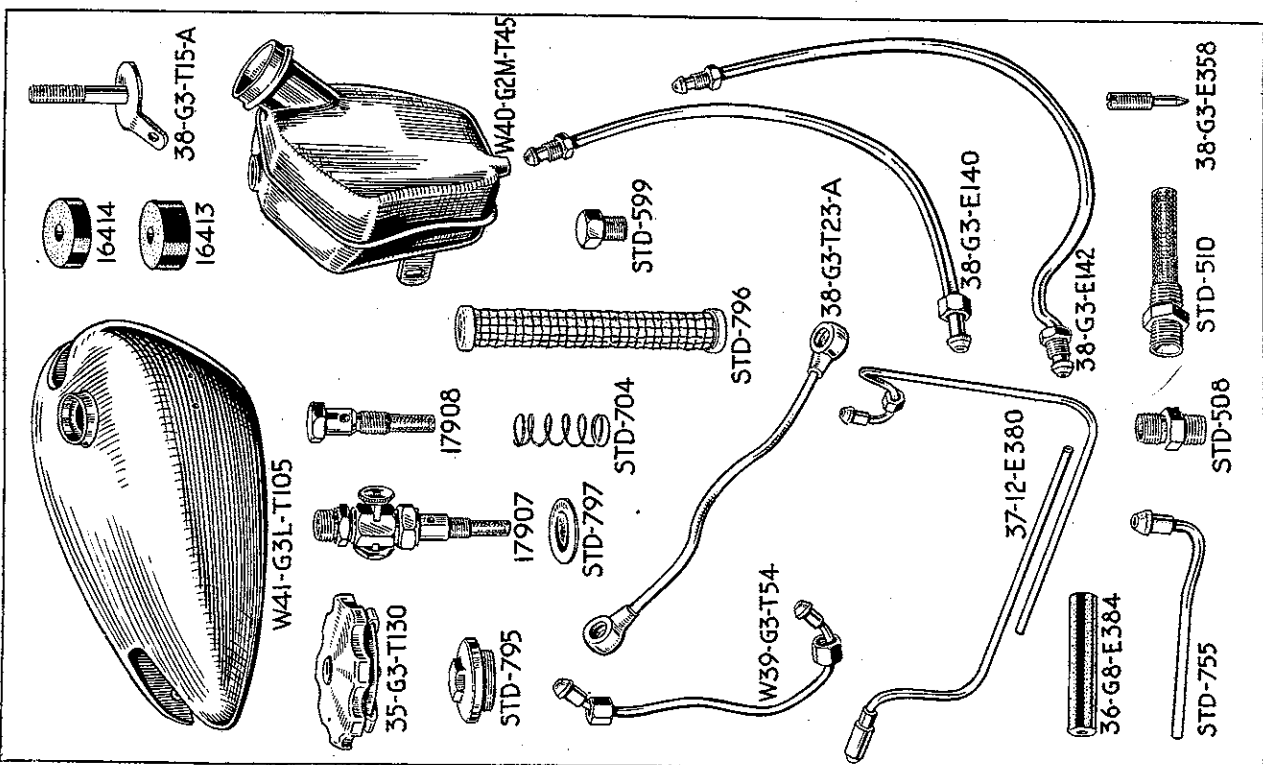
| | | | |
|--|---|-----|---------------|
| OIL PIPES. | | | |
| Feed pipe, tank to engine..... | 1 | 3 6 | DF-38-G3-E140 |
| Feed pipe, pump to rocker box..... | 1 | 2 6 | DF-37-12-E380 |
| Oil pipe, engine to tank..... | 1 | 1 0 | DF-38-G3-E142 |
| Oil pipe, tank to engine..... | 1 | 1 0 | DF-38-G3-E142 |
| Rubber connection, for rocker box feed pipe..... | 1 | 1 6 | UF-36-G8-E384 |

The feed pipe to rocker box (DF-37-12-E380) is in two pieces. The price includes the union nuts but not the rubber connection.

| | | | |
|--|---|-----|---------------|
| OIL PIPE FITTINGS. | | | |
| Oil union in rocker box..... | 1 | 4 | DF-STD-508 |
| Oil union, in oil tank, for oil main feed..... | 1 | 1 4 | DF-STD-510 |
| Oil union, in oil tank, for oil main feed..... | 1 | 3 | UF-STD-509 |
| Nipple, for rocker feed pipe, bottom end..... | 1 | 3 | UF-STD-505 |
| Nipple, for oil discharge pipe..... | 1 | 4 | UF-STD-504-N |
| Union nut, for rocker feed, top end..... | 1 | 1 0 | UF-37-12-E385 |
| Union nut, for rocker feed, bottom end..... | 1 | 4 | UF-37-12-E385 |
| Union nut, for oil discharge pipe..... | 1 | 4 | CF-38-G3-E338 |
| Lock nut, for needle adjusting screw..... | 1 | 2 | CF-STD-290 |

The needle adjusting screw (CF-38-G3-E338) screws into the right hand side of the cylinder head and regulates the oil supply to the inlet valve guide.

ALL PRICES, EXCEPT THOSE MARKED *, ARE SUBJECT TO 10% INCREASE.



This scan is explicit for non-commercial use and is not intended for financial or material gain by anyone.

WHEEL AND BRAKE SECTION.

A FRONT WHEEL COMPLETE, WITH ALL FITTINGS, INCLUDES ALL BRAKE PARTS AND HUB BEARINGS, SPINDLE WITH WASHER AND NUT, BUT DOES NOT INCLUDE THE TYRE.

| Description. | Qty. | Price Each. | Part Number. |
|--|------|-------------|-----------------|
| Wheel, with all fittings, Khaki-green. | 1 | 4 12 0 | KF-W41-G3L-H45A |
| Wheel, less all fittings, Khaki-green. | 1 | 2 3 0 | KF-W41-G3L-H45 |
| Rim, 19in. by 2 1/2in., Khaki-green. | 1 | 2 11 6 | KF-40-G3W0-H20 |
| Spoke, left, 5/16 in. by 8 G by 16 G. | 20 | 1 1 2 | KF-W41-G3L-H51 |
| Spoke, right, 5/16 in. by 8 G by 16 G. | 20 | 1 1 2 | KF-40-G3W0-H20 |
| Nipple, for spoke, left. | 20 | 1 1 2 | KF-20689 |
| Nipple, for spoke, right. | 20 | 1 1 2 | KF-20689 |
| Hub shell, with brake drum, bare. | 1 | 1 10 0 | KF-W40-G2M-H19 |
| Grease nipple, angular, for hub shell. | 1 | 3 3 | NF-STD-54 |
| Security bolt, for tyre. | 1 | 3 3 | DF-41-G3-H132 |

FRONT WHEEL.

| | | | |
|--|----|--------|-----------------|
| Wheel, with all fittings, Khaki-green. | 1 | 4 12 0 | KF-W41-G3L-H45A |
| Wheel, less all fittings, Khaki-green. | 1 | 2 3 0 | KF-W41-G3L-H45 |
| Rim, 19in. by 2 1/2in., Khaki-green. | 1 | 2 11 6 | KF-40-G3W0-H20 |
| Spoke, left, 5/16 in. by 8 G by 16 G. | 20 | 1 1 2 | KF-W41-G3L-H51 |
| Spoke, right, 5/16 in. by 8 G by 16 G. | 20 | 1 1 2 | KF-40-G3W0-H20 |
| Nipple, for spoke, left. | 20 | 1 1 2 | KF-20689 |
| Nipple, for spoke, right. | 20 | 1 1 2 | KF-20689 |
| Hub shell, with brake drum, bare. | 1 | 1 10 0 | KF-W40-G2M-H19 |
| Grease nipple, angular, for hub shell. | 1 | 3 3 | NF-STD-54 |
| Security bolt, for tyre. | 1 | 3 3 | DF-41-G3-H132 |

FRONT WHEEL BEARINGS.

| | | | |
|--|---|------|----------------|
| Spindle with roller bearings. | 1 | 14 0 | UF-40-G12M-H10 |
| Felt washer, for bearings. | 2 | 2 2 | UF-11909 |
| Spring ring, for bearings. | 2 | 2 2 | UF-11910 |
| Washer, for felt washer. | 2 | 2 2 | UF-11911 |
| Retaining ring, for felt washer. | 2 | 2 2 | UF-11912 |
| Lock nut, for bearing adjusting ring. | 3 | 6 3 | UF-11913 |
| Adjusting ring, for bearings. | 1 | 1 3 | CF-11914 |
| Washer, for lock nut. | 1 | 1 3 | CF-11915 |
| Washer, for lock nut, for brake cover plate. | 1 | 1 3 | CF-40-G12M-H70 |
| Nut, outside front brake cover plate. | 1 | 4 4 | CF-40-G12M-H46 |
| Nut, left, for spindle. | 1 | 3 3 | CF-STD-1 |
| Washer, for spindle. | 1 | 1 1 | CF-STD-8 |

A REAR WHEEL, COMPLETE WITH ALL FITTINGS, INCLUDES ALL BEARINGS ASSEMBLED, BUT DOES NOT INCLUDE THE CENTRE SOLID SPINDLE, AXLE WASHERS, AXLE NUTS, BRAKE PARTS, SPEEDOMETER DRIVE, SPROCKET AND TYRE.

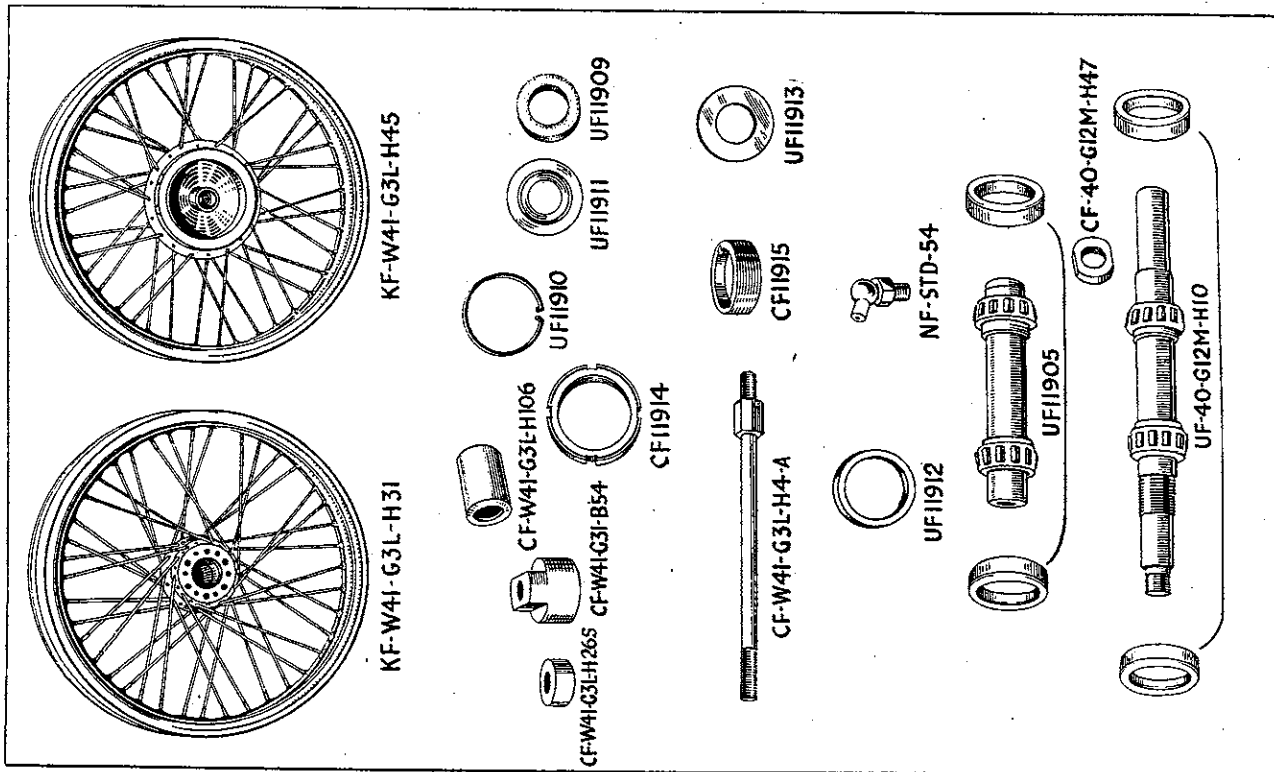
REAR WHEEL.

| | | | |
|--|----|--------|------------------|
| Wheel, with all fittings, Khaki-green. | 1 | 3 13 6 | KF-W41-G3L-H31-A |
| Wheel, less all fittings, Khaki-green. | 1 | 2 10 6 | KF-W41-G3L-H31 |
| Rim, 19in. by 2 1/2in., Khaki-green. | 1 | 2 11 6 | KF-40-G3W0-H21 |
| Spoke, 5/16 in. by 6 G by 9 G (left or right). | 40 | 1 1 2 | KF-39-8H54 |
| Nipple, for spoke (left or right). | 40 | 1 7 6 | KF-12344 |
| Hub shell, bare. | 1 | 1 7 6 | NF-STD-53 |
| Grease nipple, for hub shell. | 1 | 3 3 | NF-STD-53 |
| Security bolt, for tyre. | 1 | 3 3 | DF-41-G3-H132 |

REAR WHEEL BEARINGS.

| | | | |
|--|---|------|-----------------|
| Hollow spindle with roller bearings. | 1 | 17 6 | UF-11905 |
| Felt washer, for bearings. | 2 | 2 2 | UF-11909 |
| Spring ring, for bearings. | 2 | 2 2 | UF-11910 |
| Cup, for felt washer. | 1 | 3 3 | UF-11911 |
| Spacing ring, for felt washer. | 1 | 2 2 | UF-11912 |
| Lock nut, for bearing adjusting ring. | 3 | 6 3 | UF-11913 |
| Adjusting ring, for bearings. | 1 | 1 6 | CF-11914 |
| Centre solid spindle. | 1 | 2 6 | CF-W41-G3L-H4-A |
| Distance piece, for spindle (next to cover plate). | 1 | 3 3 | CF-W41-G3L-H106 |
| Distance piece, for spindle (fits in fork end). | 1 | 3 3 | CF-W41-G3L-H54 |
| Nut, left, for solid spindle. | 1 | 3 3 | CF-STD-2 |
| Washer, for solid spindle. | 2 | 1 1 | CF-STD-9 |

ALL PRICES, EXCEPT THOSE MARKED *, ARE SUBJECT TO 10% INCREASE.



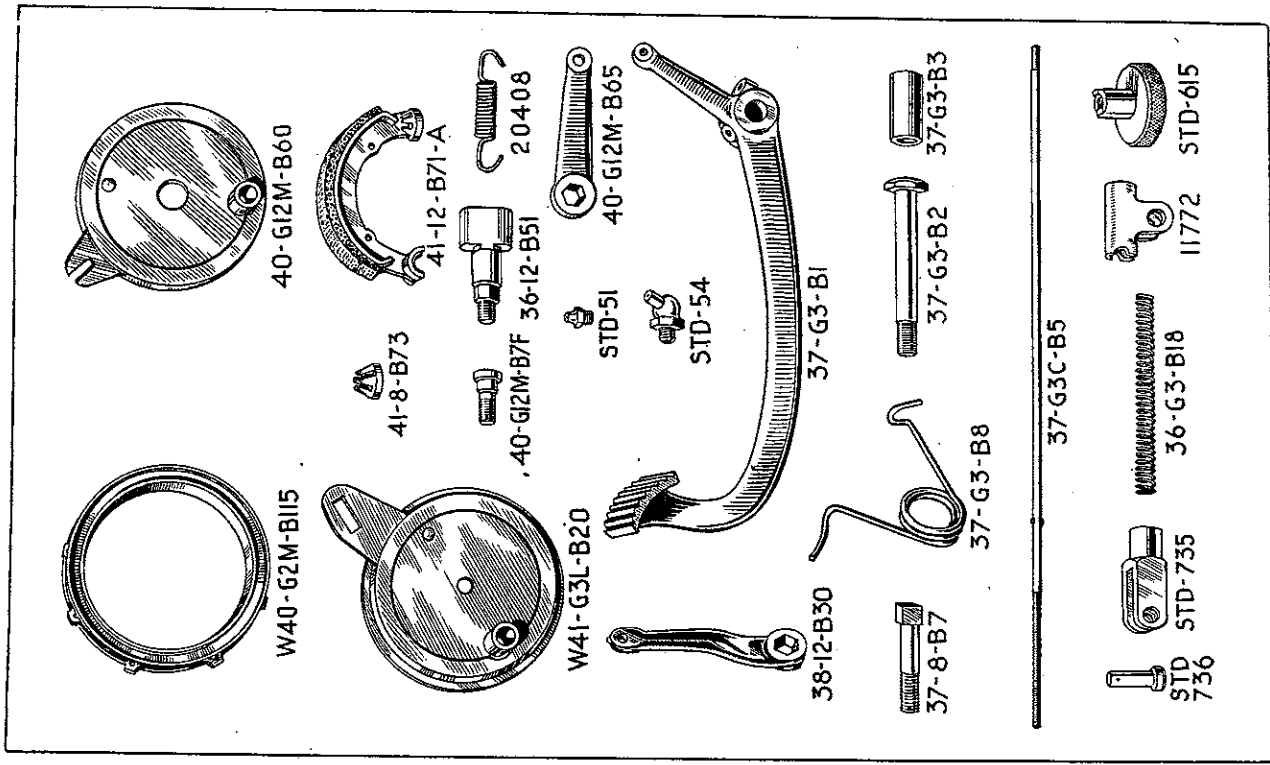
| Description. | Qty. | Price Each. | Part Number. |
|--|------|-------------|-----------------|
| FRONT BRAKE. | | | |
| Brake drum, bare..... | 1 | 10 6 | KF-W40-G2M-B115 |
| Screw, fixing brake drum to hub shell..... | 8 | 2 | UF-STD-140 |
| Cover plate, for brake shoes..... | 1 | 12 10 | KF-40-G12M-B60 |
| Anchor bolt, for brake cover plate..... | 1 | 1 | CF-40-G12M-B7F |
| Washer, for anchor bolt..... | 1 | 1 | CF-STD-11 |
| Nut, for anchor bolt..... | 1 | 1 | UF-STD-14 |
| Split pin, for brake anchor bolt..... | 1 | 2 4 | UF-3836-3 |
| Brake linings, with rivets, per pair..... | 16 | 3 | UF-STD-105 |
| Rivets, for brake linings, per set..... | 2 | 2 | UF-38-12-B51 |
| Spring, for brake shoes..... | 2 | 3 | UF-20408 |
| Expander, for brake shoes..... | 1 | 3 | UF-38-12-B51 |
| Lever, for brake shoe expander..... | 1 | 1 | UF-41-8-B73 |
| Grease nipple, for brake expander..... | 1 | 1 | NE-STD-51 |
| Washer, for brake expander..... | 1 | 1 | CF-STD-174 |
| Nut, for brake expander..... | 1 | 2 | CF-STD-4 |
| Brake shoes, with linings and collars, per pair..... | 1 | 9 4 | UF-41-12-B71-A |
| Brake expander thrust collar, adjusting..... | 2 | 1 0 | UF-41-8-B73 |

| | | | |
|--|----|------|----------------|
| REAR BRAKE. | | | |
| Brake cover plate, bare..... | 1 | 13 0 | KF-W41-G3L-B20 |
| Anchor bolt, for brake cover plate..... | 1 | 2 | CF-37-8-B7 |
| Nut, for brake cover plate anchor bolt..... | 1 | 2 | CF-STD-3 |
| Split pin, for brake cover plate anchor bolt..... | 1 | 1 | UF-STD-6 |
| Brake linings, with rivets, per pair..... | 16 | 2 4 | UF-3836-3 |
| Rivets, for brake linings, per set..... | 2 | 3 | UF-STD-105 |
| Spring, for brake shoes..... | 2 | 2 | UF-20408 |
| Expander, on cam, for brake shoes..... | 1 | 2 | UF-38-12-B51 |
| Lever, for brake shoe expander..... | 1 | 2 | UF-41-8-B73 |
| Grease nipple, for brake expander..... | 1 | 1 | NE-STD-51 |
| Washer, for brake expander..... | 1 | 1 | CF-STD-174 |
| Nut, for brake expander..... | 1 | 2 | CF-STD-4 |
| Brake shoes, with linings and collars, per pair..... | 1 | 9 4 | UF-41-12-B71-A |
| Brake expander thrust collar, adjusting..... | 2 | 1 0 | UF-41-8-B73 |

For the rear brake drum and sprocket, fixing bolts and nuts, see the TRANSMISSION SECTION.

| | | | |
|--|---|-----|--------------|
| REAR BRAKE OPERATING PARTS. | | | |
| Rear brake foot pedal, Khaki-green..... | 1 | 7 6 | KF-37-G3-B1 |
| Bush, for foot pedal..... | 1 | 6 | UF-37-G3-B3 |
| Grease nipple, angular, for foot pedal..... | 1 | 6 | NE-STD-54 |
| Spindle, for foot pedal..... | 1 | 9 | CF-37-G3-B2 |
| Split pin, for foot pedal spindle..... | 2 | 1 | UF-STD-194 |
| Split washer, for foot pedal spindle..... | 1 | 3 | CF-STD-2 |
| Nut, for foot pedal spindle..... | 1 | 6 | BF-37-G3-B8 |
| Return spring, for foot pedal..... | 1 | 2 | CF-STD-345 |
| Adjusting bolt, for foot pedal..... | 1 | 2 | CF-STD-145 |
| Lock nut, for pedal adjusting bolt..... | 1 | 3 | CF-STD-145 |
| Yoke end, for front end of rod..... | 1 | 10 | KF-37-G3-B5 |
| Pin, for yoke end..... | 1 | 4 | DF-STD-736 |
| Split pin, for yoke end pin..... | 1 | 4 | UF-STD-14 |
| Washer, for brake rod..... | 1 | 3 | BF-36-G3-B18 |
| Pin, for adjusting clip at end of brake rod..... | 1 | 3 | DF-31178 |
| Split pin, for adjusting clip pin..... | 1 | 3 | DF-STD-736 |
| Knurled adjusting nut, for brake rod..... | 1 | 1 9 | DF-STD-615 |

ALL PRICES, EXCEPT THOSE MARKED *, ARE SUBJECT TO 10% INCREASE.



This span is explicit for non-commercial use and is not intended for financial or material gain by anyone

ELECTRICAL SECTION.

| Description. | Qty. | Price Each. | Part Number. |
|--|------|-------------|----------------|
| | | £ s. d. | |
| MAGNETO. | | | |
| Magneto, complete (Lucas, Type NJ-1-A-O)..... | 1 | 5 0 | DF-454-229 |
| High tension pick-up, with brush and spring..... | 1 | 2 9 | UF-454-205 |
| Coil, for magneto, Khaki-green..... | 1 | 3 9 | DF-M-2648-1-DP |
| Contact breaker point set..... | 1 | 3 2 | UF-373-376 |
| Platform, for magneto, Khaki-green..... | 2 | 4 3 | CF-STD-341 |
| Bolt, fixing magneto, right, long..... | 2 | 3 3 | CF-STD-340 |
| Bolt, fixing magneto, left, short..... | 4 | 1 1 | CF-STD-12 |
| Nut, left, for magneto fixing bolts..... | 1 | 2 2 | CF-31-D-4 |
| Nut, right, for platform front fixing bolt..... | 1 | 2 2 | CF-31-D-4 |
| Washer, for platform front fixing bolt..... | 2 | 1 1 | CF-STD-41 |
| <p>The magneto platform is mounted above the rear engine plates. The rear end is secured by the bolt on the seat tube bottom lug (see FRAME parts) and the forward end is secured by the dynamo strap crossbar, which is threaded on both ends and the nuts and washers (CF-STD-4, CF-35-G3-E56 and CF-STD-11), listed above, fit on this bar.</p> | | | |
| DYNAMO. | | | |
| Dynamo, complete (Lucas type E3AR-AO5-1)..... | 1 | 3 7 6 | UF-300-430 |
| Brush set, for dynamo..... | 1 | 2 0 | UF-300-380 |
| Locating plate, for dynamo..... | 2 | 2 9 | CF-35-G3-E275 |
| Screw, fixing locating plate to dynamo..... | 2 | 1 1 | CF-STD-44 |
| Washer, for locating plate screw..... | 1 | 1 6 | CF-STD-178 |
| Strap eye, for clamping strap..... | 1 | 4 5 | KF-E5-76 |
| Hinge pin, for clamping strap..... | 1 | 4 5 | CF-34-G3-E277 |
| Threaded collar, for strap eye..... | 1 | 8 8 | CF-35-G3-E280 |
| Bolt, tightening, for clamping strap..... | 1 | 9 9 | CF-35-G3-E279 |
| Square crossbar, for clamping strap bolt..... | 1 | | |

DYNAMO.

| | | | |
|---|---|-------|---------------|
| Dynamo, complete (Lucas type E3AR-AO5-1)..... | 1 | 3 7 6 | UF-300-430 |
| Brush set, for dynamo..... | 1 | 2 0 | UF-300-380 |
| Locating plate, for dynamo..... | 2 | 2 9 | CF-35-G3-E275 |
| Screw, fixing locating plate to dynamo..... | 2 | 1 1 | CF-STD-44 |
| Washer, for locating plate screw..... | 1 | 1 6 | CF-STD-178 |
| Strap eye, for clamping strap..... | 1 | 4 5 | KF-E5-76 |
| Hinge pin, for clamping strap..... | 1 | 4 5 | CF-34-G3-E277 |
| Threaded collar, for strap eye..... | 1 | 8 8 | CF-35-G3-E280 |
| Bolt, tightening, for clamping strap..... | 1 | 9 9 | CF-35-G3-E279 |

VOLTAGE CONTROL UNIT.

| | | | |
|--|---|-------|---------------|
| Voltage regulator and cut-out, complete, Type L33..... | 1 | 1 5 0 | KF-3000-A-L33 |
| Bolt, fixing regulator to frame..... | 2 | 1 2 | CF-STD-70 |
| Washer, for regulator fixing bolts..... | 2 | 1 2 | CF-STD-12 |
| Nut, for regulator fixing bolts..... | 2 | 1 2 | CF-STD-5 |

BATTERY.

| | | | |
|---|---|-------|--------------|
| Battery, complete, Lead-Acid type, dry..... | 1 | 1 0 0 | UF-PWV-7E |
| Battery, complete, Lead-Acid type, charged..... | 1 | 1 6 | UF-S-2171-1B |
| Cover, only, for Lead-Acid Battery..... | 1 | | |

BATTERY CARRIER.

| | | | |
|--|---|-----|------------------|
| Battery carrier, complete, Khaki-green..... | 1 | 8 6 | KF-W36-G3-E185 |
| Back portion of carrier, bare, Khaki-green..... | 1 | 3 0 | KF-W39-G3-E181-A |
| Front portion of carrier, bare, Khaki-green..... | 1 | 3 2 | UF-XE-184 |
| Hinge pin, for battery carrier front..... | 1 | 4 4 | CF-AE-180 |
| Battery clamping bolt..... | 1 | 3 5 | CF-AE-178 |
| Nut, for battery clamping bolt..... | 1 | 2 2 | CF-AE-177 |
| Washer, for battery clamping bolt..... | 2 | 2 2 | CF-STD-174 |
| Nut, fixing carrier to frame..... | 1 | 6 1 | KF-DE-181-B |
| Screw, fixing stay to carrier..... | 1 | | CF-STD-40 |

HORN.

| | | | |
|---|---|--------|------------|
| Horn, less switch and bracket (HF-500)..... | 1 | 1 5 0* | KF-HF-500 |
| Bolt, fixing horn to plate on frame..... | 1 | 4 1 | CF-STD-402 |
| Washer, for horn fixing bolt..... | 1 | 2 2 | BF-STD-10 |
| Nut, for horn fixing bolt..... | 1 | | CF-STD-3 |

ALL PRICES, EXCEPT THOSE MARKED *, ARE SUBJECT TO 10% INCREASE

| Description. | Qty. | Price Each. | Part Number. |
|--|------|-------------|-------------------|
| | | £ s. d. | |
| HEAD LAMP. | | | |
| Head lamp, complete, Khaki-green (DU-142-P)..... | 1 | 3 0 0 | KF-515-726 |
| Outer shell, for head lamp, Khaki-green..... | 1 | 15 6 | KF-515-683 |
| Panel, complete with switch and ammeter..... | 1 | 1 0 0 | KF-308-333 |
| Front rim, for head lamp, Khaki-green..... | 1 | 7 3 | KF-515-199 |
| Mask, black Manila, (finned behind sides)..... | 1 | 2 6 | UF-300-272 |
| Reflector, for head lamp, less bulb holders..... | 1 | 9 6 | SF-515-140 |
| Holder assembly, only, for main bulb..... | 1 | 4 0 | SF-504-803 |
| Reflector, back shell assembly..... | 1 | 2 0 | SF-N-890 |
| Main bulb, for head lamp, for main bulb holder..... | 1 | 6 6 | UF-200 |
| Pilot bulb, for head lamp, 6 volts, 3 watts..... | 1 | 1 0 | KF-W41-G31-FF74-L |
| Lamp stay, or bracket, top, left..... | 1 | 6 6 | KF-W41-G31-FF74-R |
| Lamp stay, or bracket, bottom, left..... | 1 | 6 6 | KF-W41-G31-FF73-L |
| Lamp stay, or bracket, bottom, right..... | 1 | 6 6 | KF-W41-G31-FF73-R |
| Bolt, fixing stay to fork gland..... | 4 | 3 3 | CF-STD-93 |
| Washer, for stay fixing bolt..... | 1 | 1 1 | CF-STD-192 |
| Bolt, fixing lamp to brackets..... | 2 | 6 6 | DF-112-201 |
| Washer, for lamp fixing bolts..... | 2 | 3 3 | DF-137-141 |
| Washer, "shateproof"..... per dozen | 2 | 3 6 | DF-188-334 |
| REAR LAMP. | | | |
| Rear lamp, complete, less bulb, type L-WD-MCT-1..... | 1 | 5 9 | KF-L-WD-MCT-1 |
| Front portion of lamp, with red glass..... | 1 | 1 9 | KF-525-892 |
| Bulb, for rear lamp, 6 v. 8/5, 3 watts..... | 1 | 1 2 | UF-525-897 |
| Bolt, fixing rear lamp..... | 2 | 1 2 | CF-STD-70 |
| Washer, plain, for lamp fixing bolt..... | 2 | 1 1 | CF-STD-12 |
| Washer, spring, for lamp fixing bolt..... | 2 | 1 2 | UF-STD-191 |
| Nut, for lamp fixing bolt..... | 2 | 1 2 | CF-STD-5 |
| SWITCHES. | | | |
| Lighting main switch, for panel in head lamp..... | 1 | 6 6 | DF-351-500 |
| Handle only, for main switch (with screw)..... | 1 | 1 3 | UF-SK-49 |
| Spring, fixing switch in panel..... per dozen | 1 | 2 3 | UF-305-234 |
| Dipping switch, complete..... | 1 | 3 9 | BF-380-501 |
| Horn switch, complete..... | 1 | | DF-762-100 |
| ELECTRICAL SundRIES. | | | |
| Ammeter, for panel in head lamp..... | 1 | 7 6 | DF-764-461 |
| Cable harness, complete..... | 1 | 8 0 | UF-983-321 |
| Electric light cable, single..... per foot | 1 | 4 4 | UF-ELC-WO |
| Electric light cable, triple..... per foot | 1 | 7 6 | UF-ELC-3 |
| Screwed connector, for rear lamp cable..... | 1 | 7 6 | UF-SA-147 |
| High tension cable (DODGE H-93)..... per foot | 1 | 2 2 | UF-ES-473 |
| Terminal, for high tension cable..... | 1 | | UF-STD-341 |
| Suppressor, for sparking plug..... | 1 | | UF-STD-341 |

REAR LAMP.

| | | | |
|--|---|-----|---------------|
| Rear lamp, complete, less bulb, type L-WD-MCT-1..... | 1 | 5 9 | KF-L-WD-MCT-1 |
| Front portion of lamp, with red glass..... | 1 | 1 9 | KF-525-892 |
| Bulb, for rear lamp, 6 v. 8/5, 3 watts..... | 1 | 1 2 | UF-525-897 |
| Bolt, fixing rear lamp..... | 2 | 1 2 | CF-STD-70 |
| Washer, plain, for lamp fixing bolt..... | 2 | 1 1 | CF-STD-12 |
| Washer, spring, for lamp fixing bolt..... | 2 | 1 2 | UF-STD-191 |
| Nut, for lamp fixing bolt..... | 2 | 1 2 | CF-STD-5 |

SWITCHES.

| | | | |
|---|---|-----|------------|
| Lighting main switch, for panel in head lamp..... | 1 | 6 6 | DF-351-500 |
| Handle only, for main switch (with screw)..... | 1 | 1 3 | UF-SK-49 |
| Spring, fixing switch in panel..... per dozen | 1 | 2 3 | UF-305-234 |
| Dipping switch, complete..... | 1 | 3 9 | BF-380-501 |
| Horn switch, complete..... | 1 | | DF-762-100 |

ELECTRICAL SundRIES.

| | | | |
|---|---|-----|------------|
| Ammeter, for panel in head lamp..... | 1 | 7 6 | DF-764-461 |
| Cable harness, complete..... | 1 | 8 0 | UF-983-321 |
| Electric light cable, single..... per foot | 1 | 4 4 | UF-ELC-WO |
| Electric light cable, triple..... per foot | 1 | 7 6 | UF-ELC-3 |
| Screwed connector, for rear lamp cable..... | 1 | 7 6 | UF-SA-147 |
| High tension cable (DODGE H-93)..... per foot | 1 | 2 2 | UF-ES-473 |
| Terminal, for high tension cable..... | 1 | | UF-STD-341 |
| Suppressor, for sparking plug..... | 1 | | UF-STD-341 |

This is a War Office Supply.

ALL PRICES, EXCEPT THOSE MARKED *, ARE SUBJECT TO 10% INCREASE.

ACCESSORY SECTION.

| Description. | Qty. | Price Each. | Part Number. |
|---|------|-------------|--------------------|
| SPEEDOMETER. | | | |
| Speedometer head, only, non-trip, 80 m.p.h. | 1 | 1 7 6* | DF-S-433-B-EX-5413 |
| Nut, fixing head to bracket. | 2 | 4* | NFN-1115 |
| Washer, for head fixing nut. | 2 | 16 4* | BF-W-7001 |
| Driver, for head fixing nut. | 1 | 16 4* | UF-32108-54 |
| Inner cable, only, 54in. long. | 1 | 8 3* | UF-51398-154 |
| Outer cable, only, 54in. long. | 1 | 8 3* | CF-W41-G3L-F311 |
| Clip, for outer cable. | 1 | 1 | CF-STD-450 |
| Screw, for outer cable clip. | 1 | 1 | CF-3138-20 |
| Washer, for outer cable clip screw. | 1 | 1 | CF-3138-20 |
| Bracket, for speedometer. | 1 | 1 5 6* | CF-40-G12M-FF78 |
| Bolt, fixing speedometer bracket. | 2 | 1 | CF-STD-342 |
| Washer, for speedometer bracket bolt. | 2 | 1 | CF-STD-12 |

TOOLS.

| | | | |
|---------------------------------------|---|-----|----------------|
| Tool bag. | 1 | 2 6 | UF-17520 |
| Screwdriver. | 1 | 1 0 | UF-LTK-13 |
| Wrench, 12in. | 1 | 1 0 | UF-LTK-13 |
| Grease gun. | 1 | 4 0 | UF-11024 |
| Grease gun. | 1 | 3 9 | UF-LTK-20 |
| Tyre inflator. | 1 | 3 9 | BF-38-G3-EQ2 |
| Spanner, double end, 1/2in. by 1/2in. | 2 | 1 9 | BF-W40-G3-TK29 |
| Spanner, triple end, 1/2in. by 1/2in. | 1 | 1 9 | CF-W41-G3L-TK1 |
| Spanner, for dynamo chain adjustment. | 1 | 1 0 | CF-W41-G3L-TK1 |
| Spanner, for hub lock nut. | 1 | 1 9 | UF-17634 |
| Spanner, for seat breaker points. | 1 | 1 9 | CF-RTK-1 |
| Adjustable wrench. | 1 | 4 0 | CF-11717 |
| | | | CF-LTK-5 |
| | | | UF-LTK-12 |

TOOL BOXES.

| | | | |
|--|---|------|-----------------|
| Tool box, bare, Khaki-green. | 1 | 12 6 | KF-W40-G3-P45-1 |
| Knurled screw, for tool box lid. | 1 | 1 | DF-37-8-F53 |
| Spring washer, for tool box lid screw. | 1 | 1 | BF-STD-189 |
| Nut, for tool box lid screw. | 1 | 2 | CF-STD-5 |
| Bolt, fixing tool box to guard stay. | 2 | 2 | CF-STD-70 |
| Nut, for seat stay bolt. | 1 | 2 | CF-STD-5 |
| Nut, for seat stay bolt. | 1 | 2 | CF-STD-5 |
| Bolt, front, fixing box to seat stay. | 1 | 2 | CF-STD-346 |
| Bolt, rear, fixing box to seat stay. | 1 | 2 | CF-STD-347 |
| Spacer, for seat stay bolt. | 1 | 3 | KF-RC-28 |
| Washer, for seat stay bolt. | 2 | 1 | CF-STD-12 |
| Nut, for seat stay bolt. | 2 | 2 | KF-W40-G3-F158 |
| Bolt, fixing stay to tool box. | 1 | 2 | CF-STD-361 |
| Washer, for tool box stay bolt. | 1 | 1 | CF-STD-11 |
| Nut, for tool box stay bolt. | 1 | 2 | CF-STD-4 |

For the bolt fixing the stay to the mudguard stay, see "Bolt, fixing guard to front of stay, right" in "REAR MUDGUARD."

CABLE CLIPS.

| | | | |
|-------------------------------|---|-----|------------|
| Rubber clip, size A. | 2 | 11* | UF-STD-523 |
| Rubber clip, size B. | 5 | 11* | UF-STD-522 |
| Rubber clip, size C. | 4 | 11* | UF-STD-521 |
| Rubber clip, size D. | 2 | 11* | UF-STD-520 |
| Strip aluminium pliable clip. | 2 | 1 | UF-STD-525 |

The Cable Clips are used to retain the Control cables, the Electric Lighting cables and the Speedometer Driving cable.

ALL PRICES, EXCEPT THOSE MARKED *, ARE SUBJECT TO 10% INCREASE.

| Description. | Qty. | Price Each. | Part Number. |
|--------------|------|-------------|--------------|
|--------------|------|-------------|--------------|

| | | | |
|---------------------------------|---|------|----------------|
| Chain rivet extractor (Pennant) | 1 | 4 6* | 167-5 |
| Box of chain spares (Renolfs) | 1 | 2 3* | 110056-8207 |
| Repair outfit | 1 | 1 6* | UF-W40-G3-TK24 |
| Webbing straps | 2 | 1 9* | KF-W40-G3-TK23 |
| Insulating tape | 1 | 9* | UF-W40-G3-TK28 |

Each box of chain spares includes:—
 2 Single connecting chain links.
 1 Chain inner link.
 1 Double cranked chain link.
 3 Spring clip fasteners.

GASKET SET.

INDIVIDUAL GASKETS AND WASHERS ARE LISTED IN THE GROUPS TO WHICH THEY BELONG. A COMPLETE SET OF ENGINE GASKETS CAN BE SUPPLIED, AS UNDER:—

| | | | |
|------------------------|---|------|--------------|
| Gasket set, for engine | 1 | 6 0* | UF-41-WO-EQ5 |
|------------------------|---|------|--------------|

THE ABOVE SET OF GASKETS CONTAINS:—

| | | |
|---|--------------|---|
| 2 | UF-37-8-E3 | Paper washer, for cylinder base. |
| 2 | UF-37-8-E2 | Paper washer, for oil pump end caps. |
| 1 | UF-37-8-E1 | Paper washer, for tappet cover. |
| 1 | UF-STD-581 | Compo washer, for carburettor. |
| 1 | UF-STD-581 | Compo washer, for carburettor packing piece. |
| 1 | UF-39-8-E440 | Compo washer, for rocker box. |
| 2 | UF-37-8-E168 | Rubber gasket, for cover tube (top). |
| 2 | UF-37-8-E168 | Rubber gasket, for cover tube (bottom). |
| 1 | UF-38-G4-F65 | Rubber fillet, for tappet cover. |
| 3 | UF-STD-205 | Fibre washer, for tappet cover nuts. |
| 2 | UF-35-12-E73 | Fibre washer, for tappet guides. |
| 2 | UF-STD-201 | Fibre washer (large), for petrol tap and pin. |
| 2 | UF-STD-200 | Fibre washer (small), for petrol tap and pin. |
| 1 | UF-STD-203 | Fibre washer, for petrole valve stems in crankcase. |
| 1 | UF-12268 | Copper gasket, for cylinder head. |

SPECIAL TOOLS.

THE FOLLOWING VALVE GRINDING TOOLS CAN BE SUPPLIED. THE FIRST IS SUITABLE FOR CASUAL USE AND THE SECOND IS RECOMMENDED AS A WORKSHOP TOOL.

| | | | |
|----------------------------|---|------|----------------|
| Valve grinding Tommy | 1 | 6 6* | BF-11520 |
| Valve holder, for grinding | 1 | 3 6* | BF-38-G4-TK9-A |

Neither of the above tools is included in the standard tool kit.

ALL PRICES, EXCEPT THOSE MARKED *, ARE SUBJECT TO 10% INCREASE.

This scan is explicit for non-commercial use and is not intended for financial or material gain by anyone

INDEX

| | Page | | Page |
|-----------------------------|------|----------------------------|------|
| Battery | 32 | Jets | 8 |
| Battery Carrier | 32 | Kickstarter | 14 |
| Brake, Front | 30 | Lamps..... | 33 |
| Brake, Rear | 30 | Magneto | 32 |
| Cable Clips..... | 34 | Magneto Sprocket..... | 10 |
| Carburetter..... | 8 | Mixing Body | 8 |
| Carrier..... | 20 | Mudguards..... | 18 |
| Chains..... | 10 | Name Transfers..... | 20 |
| Chain Case..... | 20 | Oil Pump | 4 |
| Chain Guard..... | 20 | Overhead Rockers..... | 6 |
| Clutch | 14 | Pillion Footrests | 20 |
| Clutch Operating Parts..... | 14 | Pillion Seat..... | 20 |
| Clutch Sprocket..... | 10 | Pipes, Petrol and Oil..... | 26 |
| Connecting Rod..... | 2 | Piston | 2 |
| Control Cables | 24 | Push Rods | 6 |
| Control Levers | 22 | Push Rod Cover Tubes..... | 6 |
| Crankcase | 4 | Rear Wheel Sprocket..... | 10 |
| Crankcase Bearings | 4 | Release Valve..... | 4 |
| Crankcase Bolts..... | 4 | Rocker Box | 6 |
| Cylinder | 2 | Saddle..... | 20 |
| Cylinder Head | 2 | Silencer | 6 |
| Dummy Grip..... | 22 | Speedometer | 34 |
| Dynamo | 32 | Stands..... | 18 |
| Dynamo Sprocket..... | 10 | Switches | 33 |
| Electrical Sundries..... | 33 | Tank, Petrol | 26 |
| Engine Sprocket..... | 10 | Tank, Oil | 26 |
| Equipment | 35 | Tappets | 4 |
| Exhaust Pipe | 6 | Timing Gears..... | 4 |
| Exhaust Valve Lifter..... | 6 | Tools | 34 |
| Float Chamber | 8 | Tools, Special..... | 35 |
| Flywheels | 2 | Tool Box..... | 34 |
| Footrests..... | 20 | Twist Grip | 22 |
| Forks | 16 | Valves, Carburetter | 8 |
| Fork Assemblies | 18 | Valves, Engine | 2 |
| Frame..... | 16 | Voltage Control Unit..... | 32 |
| Gasket Set | 35 | Wheel, Front..... | 28 |
| Gear Box, complete | 10 | Wheel, Rear | 28 |
| Gear Box Bearings | 12 | Wheel Bearings | 28 |
| Gear Control Parts..... | 14 | | |
| Gear Box Fixing Bolts..... | 12 | | |
| Gear Operating Parts..... | 12 | | |
| Gear Shafts and Gears..... | 12 | | |
| Gear Box Shell..... | 10 | | |
| Gear Box Sprocket..... | 10 | | |
| Handlebars..... | 18 | | |
| Horn | 32 | | |