

SPARES LIST

FOR

1955 MATCHLESS

350 MODEL G3L RIGID FRAME (TOURING)
350 MODEL G3LS SPRING FRAME (TOURING)
350 MODEL G3LC RIGID FRAME (COMPETITION)
350 MODEL G3LCS SPRING FRAME (COMPETITION)

500 MODEL G80 RIGID FRAME (TOURING)
500 MODEL G80S SPRING FRAME (TOURING)
500 MODEL G80C RIGID FRAME (COMPETITION)
500 MODEL G80CS SPRING FRAME (COMPETITION)

350 --- Bore 69 mm. Stroke 93 mm. Capacity 347 c.c.
500 --- Bore 82.5 mm. Stroke 93 mm. Capacity 498 c.c.



Compiled and Issued by the Manufacturers

MATCHLESS MOTOR CYCLES

(Proprietors : ASSOCIATED MOTOR CYCLES LIMITED)

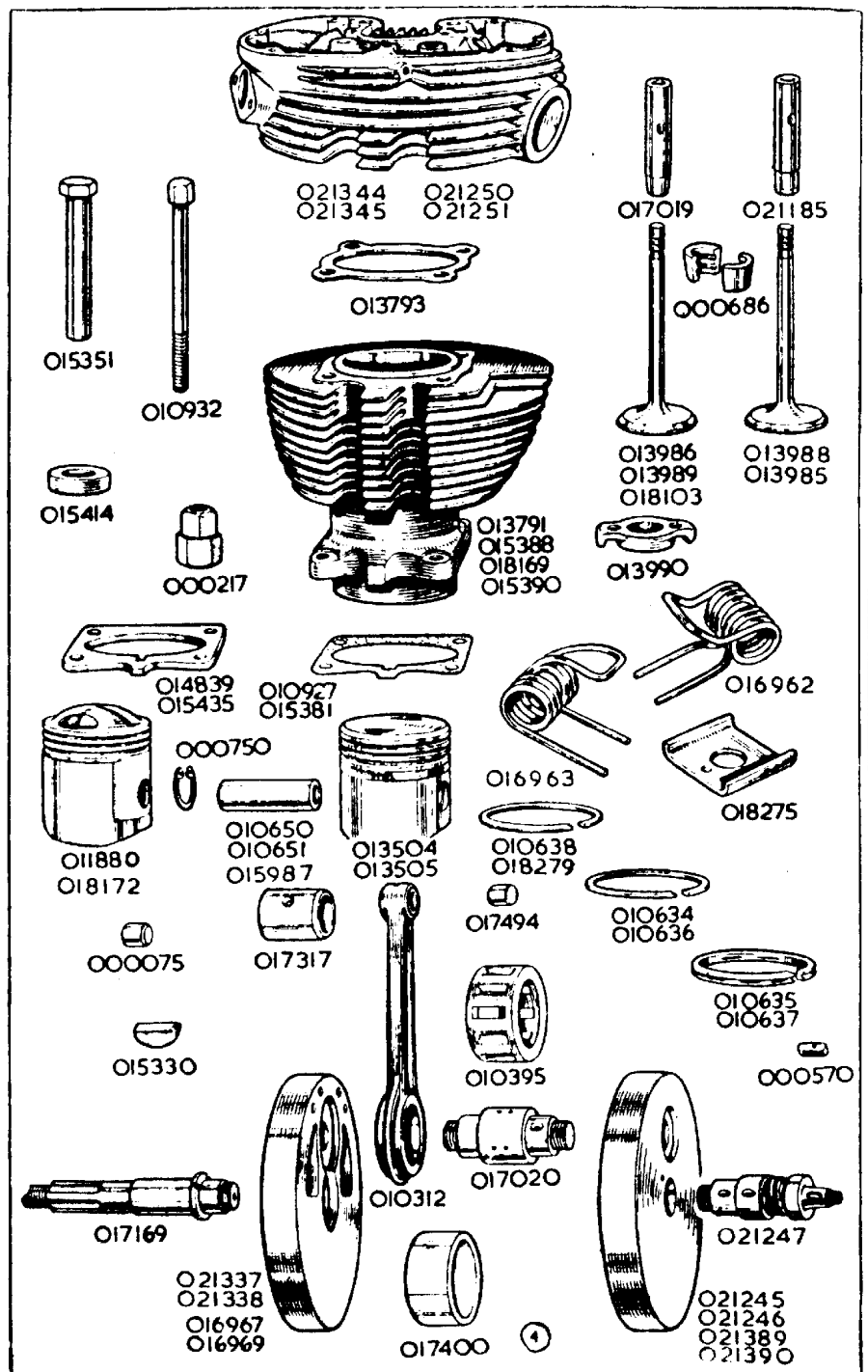
Registered Offices :

PLUMSTEAD ROAD, PLUMSTEAD
LONDON, S.E.18 ENGLAND

Nearest Station :
WOOLWICH ARSENAL
(Southern Region Railway)

Factories :
BURRAGE GROVE and MAXEY ROAD
PLUMSTEAD, S.E.18

Telegrams and Cables : "MATCHLESS, WOL-LONDON"
Telephone : WOOLWICH 1223 (7 Lines)
Codes : A.B.C. 5th and 6th Edition ; Bentley's ; and Private Codes



ENGINE SECTION.

CYLINDER.

O13791	Barrel, cylinder	1	G3L, G3LS
O15388	Barrel, cylinder	1	G3LC, G3LCS
O18169	Barrel, cylinder	1	G80, G80S
O15390	Barrel, cylinder	1	G80C, G80CS
O14839	Plate, compression, 1/4 in. thick, not Std. fitting (15)	1	G3LC, G3LCS
O15435	Plate, compression, 1/4 in. thick, not Std. fitting (15)	1	G80C, G80CS
O10927	Washer, paper, cylinder base	1	G3L, G3LS, G80, G80S
O15381	Washer, paper, cylinder base	1	G3LC, G3LCS, G80C, G80CS
O15381	Washer, paper, compression plate	1	G3LC, G3LCS, G80C, G80CS
O00217	Nut, retaining cylinder to crankcase	4	G3L, G3LS, G80, G80S
O15351	Nut, sleeve, retaining cylinder head and barrel to crankcase	4	G3LC, G3LCS, G80C, G80CS
O15414	Spacer, 1/2 in. long, for cylinder head sleeve nut	4	G80C, G80CS
O00008	Washer, plain, for cylinder head sleeve nut	4	G3LC, G3LCS
Note 15	Compression plate used to obtain medium compression ratio when high compression piston is fitted.		

CYLINDER HEADS.

O21355	Head, cylinder, with valve guides	1	G3L, G3LS
O21356	Head, cylinder, with valve guides	1	G3LC, G3LCS
O21357	Head, cylinder, with valve guides	1	G80, G80S
O21358	Head, cylinder, with valve guides	1	G80C, G80CS
O21344	Head, cylinder, less valve guides	1	G3L, G3LS
O21345	Head, cylinder, less valve guides	1	G3LC, G3LCS
O21250	Head, cylinder, less valve guides	1	G80, G80S
O21251	Head, cylinder, less valve guides	1	G80C, G80CS
O10643	Screw, needle adjusting, inlet valve oil feed. (Screws into cylinder head)	1	All
O11373	Nut, lock, needle adjusting screw	1	All
O10932	Bolt, securing head to barrel, 3 3/4 ins. by 3/8 in. by 20	4	G3L, G3LS, G80, G80S
O00010	Washer, plain, for head securing bolt	4	G3L, G3LS, G80, G80S
O13793	Gasket, for cylinder head	1	G3L, G3LS, G80, G80S
O00291	Stud, fixing carburettor, 2 ins. by 7/8 in. by 22 and 26	2	All
O00004	Nut, for carburettor stud	2	All

ENGINE VALVES.

O13985	Valve, inlet	1	All 350
O13988	Valve, inlet	1	All 500
O13986	Valve, exhaust	1	G3L, G3LS
O18103	Valve, exhaust	1	G3LC, G3LCS
O13989	Valve, exhaust	1	All 500
O16963	Spring, for valve, wide prong	2	All
O16962	Spring, for valve, narrow prong	2	All
O13990	Collar, for valve spring	2	All
O18275	Seat, for valve spring	2	All
O00686	Collet, for valve (each in two pieces)	2	All
O17019	Guide, for inlet valve	1	All
O21185	Guide, for exhaust valve	1	All

PISTONS.

O18301	Piston, complete C.R.6:5	No compression plate	1	G3L, G3LC, G3LS
O18925	Piston, complete C.R.7:5	No compression plate	1	G3LCS
O18304	Piston, complete C.R.9:4	No compression plate	1	All 350
O16858	Piston, complete C.R.6:3	No compression plate	1	G80, G80S
O16858	Piston, complete C.R.6:3	O15435 Compression plate	1	G80C
O16858	Piston, complete C.R.7:3	No compression plate	1	G80C

PISTONS

018927	... Piston, complete	C.R.7-3	015435	Compression plate	I	G80CS
018927	... Piston, complete	C.R.8-3		No compression plate	I	G80, G80S
018171	... Piston, complete	C.R.8-3	015435	Compression plate	I	G80C, G80CS
018171	... Piston, complete	C.R.8-3		No compression plate	I	G80C, G80CS
018171	... Piston, complete	C.R.9-8		No compression plate	I	G3L, G3LC, G3LS
013504	... Piston, bare	C.R.6-5		No compression plate	I	G3LCS
018924	... Piston, bare	C.R.7-5		No compression plate	I	All 350
011880	... Piston, bare	C.R.9-4		No compression plate	I	G80, G80S
013505	... Piston, bare	C.R.6-3	015435	Compression plate	I	G80C
013505	... Piston, bare	C.R.7-3		No compression plate	I	G80CS
018926	... Piston, bare	C.R.7-3	015435	Compression plate	I	G80CS
018926	... Piston, bare	C.R.8-3		No compression plate	I	G80, G80S
018172	... Piston, bare	C.R.8-3		No compression plate	I	G80C, G80CS
018172	... Piston, bare	C.R.8-3	015435	Compression plate	I	G80C, G80CS
018172	... Piston, bare	C.R.9-8		No compression plate	I	G80C, G80CS
018279	... Ring, compression, 2 3/8 ins. by 1/8 in. (chrome plated)				I	All 350
010634	... Ring, compression, 2 3/8 ins. by 1/8 in.				I	All 350
010636	... Ring, compression, 3 1/2 ins. by 1/8 in.				I	All 500
010638	... Ring, compression, 3 1/2 ins. by 1/8 in. (chrome plated)				I	All 500
010635	... Ring, scraper, 2 3/8 ins. by 1/8 in.				I	All 350
010637	... Ring, scraper, 3 1/2 ins. by 1/8 in.				I	All 500
010650	... Pin, gudgeon				I	All 350
015987	... Pin, gudgeon (special for H.C. piston)				I	All 350
010651	... Pin, gudgeon				I	All 500
000750	... Circlip, for gudgeon pin				2	All

New machines have the lowest C.R. specified above.

The following oversize parts can be supplied :

018302	... Piston, complete	020 O S	For 018301	Price as normal size
018303	... Piston, complete	040 O S	For 018301	"
018948	... Piston, complete	020 O S	For 018925	"
018949	... Piston, complete	040 O S	For 018925	"
018305	... Piston, complete	020 O S	For 018304	"
016938	... Piston, complete	020 O S	For 016858	"
016857	... Piston, complete	040 O S	For 016858	"
018950	... Piston, complete	020 O S	For 018927	"
021392	... Piston, complete	040 O S	For 018927	"
018856	... Piston, complete	020 O S	For 018171	"
013621	... Piston, bare	020 O S	For 013504	"
014723	... Piston, bare	040 O S	For 013504	"
018929	... Piston, bare	020 O S	For 018924	"
018930	... Piston, bare	040 O S	For 018924	"
013711	... Piston, bare	020 O S	For 011880	"
013622	... Piston, bare	020 O S	For 013505	"
015267	... Piston, bare	040 O S	For 013505	"
018732	... Piston, bare	020 O S	For 018926	"
021391	... Piston, bare	040 O S	For 018926	"
018857	... Piston, bare	020 O S	For 018172	"
018280	... Ring, compression, 2 3/8 ins. plus .020 in. by 1/8 in. (chrome plated)			I All 350
016443	... Ring, compression, 2 3/8 ins. plus .020 in. by 1/8 in.			I All 350
018281	... Ring, compression, 2 3/8 ins. plus .040 in. by 1/8 in. (chrome plated)			I All 350
016444	... Ring, compression, 2 3/8 ins. plus .040 in. by 1/8 in.			I All 350
013661	... Ring, compression, 3 1/2 ins. plus .020 in. by 1/8 in.			I All 500
016447	... Ring, compression, 3 1/2 ins. plus .040 in. by 1/8 in.			I All 500
016449	... Ring, compression, 3 1/2 ins. plus .020 in. by 1/8 in. (chrome plated)			I All 500
016450	... Ring, compression, 3 1/2 ins. plus .040 in. by 1/8 in. (chrome plated)			I All 500
016445	... Ring, scraper, 2 3/8 ins. plus .020 in. by 1/8 in.			I All 350
016446	... Ring, scraper, 2 3/8 ins. plus .040 in. by 1/8 in.			I All 350
013662	... Ring, scraper, 3 1/2 ins. plus .020 in. by 1/8 in.			I All 500
016448	... Ring, scraper, 3 1/2 ins. plus .040 in. by 1/8 in.			I All 500

"Piston, complete" includes—Piston, one ordinary compression ring, one chrome plated compression ring, one scraper ring, gudgeon pin and two circlips.

RE-BORING.

Cylinders may be re-bored to .020 in. or to .040 in. oversize and normal compression pistons (with rings) (one chrome plated) supplied to suit.
350 Model £2 11s. 8d. (New gudgeon pins and circlips 7s. 1d. extra).
500 Model £3 1s. 2d. (New gudgeon pins and circlips 7s. 6d. extra).

Cylinders sent for re-boring should be packed in stout cases which will be used by us for their return. Carriage is additional. If a complete machine, or engine, is sent to us for cylinder re-boring, there will be an additional charge, according to the time taken, for dismantling and assembly.

FLYWHEELS.

021337	... Flywheel, bare, driving side	I	All 350, except G3LC
021245	... Flywheel, bare, timing side	I	All 350, except G3LC
021338	... Flywheel, bare, driving side	I	All 500, except G80C
021246	... Flywheel, bare, timing side	I	All 500, except G80C
021247	... Axle, timing side flywheel	I	All
017169	... Axle, driving side flywheel	I	All
015330	... Key, driving side flywheel axle	2	All
021249	... Nut, timing side flywheel axle	I	All
000234	... Nut, driving side flywheel axle	I	All
021389	... Flywheel, bare, timing side	I	G3LC
016967	... Flywheel, bare, driving side	I	G3LC
021390	... Flywheel, bare, timing side	I	G80C
016969	... Flywheel, bare, driving side	I	G80C

CONNECTING ROD.

010312	... Rod, connecting with liner and bush	I	All
017400	... Liner, for big-end bearing	I	All
017317	... Bush, for gudgeon pin	I	All
000075	... Roller, crankpin, 1/2 in. by 1/4 in.	30	All
010395	... Cage, for crankpin rollers	I	All
017020	... Crankpin	I	All
000233	... Nut, for crankpin	2	All

The following oversize part can be supplied, but we recommend only skilled mechanics should fit same, because it is almost general that the big-end journals and sleeves require "lapping" to ensure a correct fit.

017494	... Roller, crankpin, 1/2 in. plus .001 in. diameter by 1/2 in. long	30	All
--------	--	----	-----

CRANKCASE.

021956	... Crankcase, complete (2)	I	G3L, G3LS, G80, G80S
021957	... Crankcase, complete (3)	I	G3LC, G3LCS, G80C, G80CS
021958	... Crankcase, driving side only (4) (6)	I	G3L, G3LS, G80, G80S
021959	... Crankcase, driving side only (4) (6)	I	G3LC, G3LCS, G80C, G80CS
021960	... Crankcase, timing side only (5) (6)	I	G3L, G3LS, G80, G80S
021961	... Crankcase, timing side only (5) (6)	I	G3LC, G3LCS, G80C, G80CS
000575	... Plug, drain, for timing side crankcase	I	All
000485	... Screw, plug, for crankcase oil holes 1/2 in. by 1/4 in. by 26	3	All
000203	... Washer, fibre, for oil hole screws	3	All
000576	... Plug, for cylinder oil feed valve	I	All
010934	... Body, for cylinder oil feed valve	I	All
000021	... Ball (1/2 in. steel), for cylinder oil feed valve	I	All
000701	... Spring, for cylinder oil feed valve	I	All
000300	... Stud, for cylinder base, 1 3/8 in. by 1/2 in. by 26 and 20	4	G3L, G3LS, G80, G80S

CRANKCASE—continued.

015350	Stud, for cylinder base, 7 $\frac{1}{2}$ in. by $\frac{3}{8}$ in. with top end threaded $\frac{3}{8}$ in. by 26 and bottom end threaded $\frac{1}{4}$ in. by 18.....	4	G3LC, G3LCS G80C, G80CS
000577	Peg, dowel, locating timing gear cover.....	2	All
017182	Washer, paper, for timing gear cover.....	1	All
010770	Cover, timing gear, with bushes.....	1	All
000482	Screw, fixing timing gear cover, 1 $\frac{1}{4}$ in. by $\frac{1}{2}$ in. by 26.....	5	All
000765	Cap, in timing gear cover, for cam bush.....	1	All
021340	Cover, magneto chaincase.....	1	G3L, G3LS G80, G80S G3C, G3CS, G80C, G80CS
016864	Cover, magneto chaincase.....	1	All
000455	Screw, fixing magneto chaincase cover, $\frac{1}{4}$ in. by 2.BA 7 or 8.....	8	All
021383	Screw, fixing magneto chaincase cover, 2 ins. by 2.BA.....	2	G3L, G3LS, G80, G80S

Note 2 ... Comprises items 021958 and 021960.

Note 3 ... Comprises items 021959 and 021961.

Note 4 ... Comprises crankcase half and two cylinder base studs.

Note 5 ... Comprises crankcase half, bush for timing side flywheel axle with peg, two camshaft bushes, cylinder oil feed valve assembled, two cylinder base studs and two dowel pins for the timing cover.

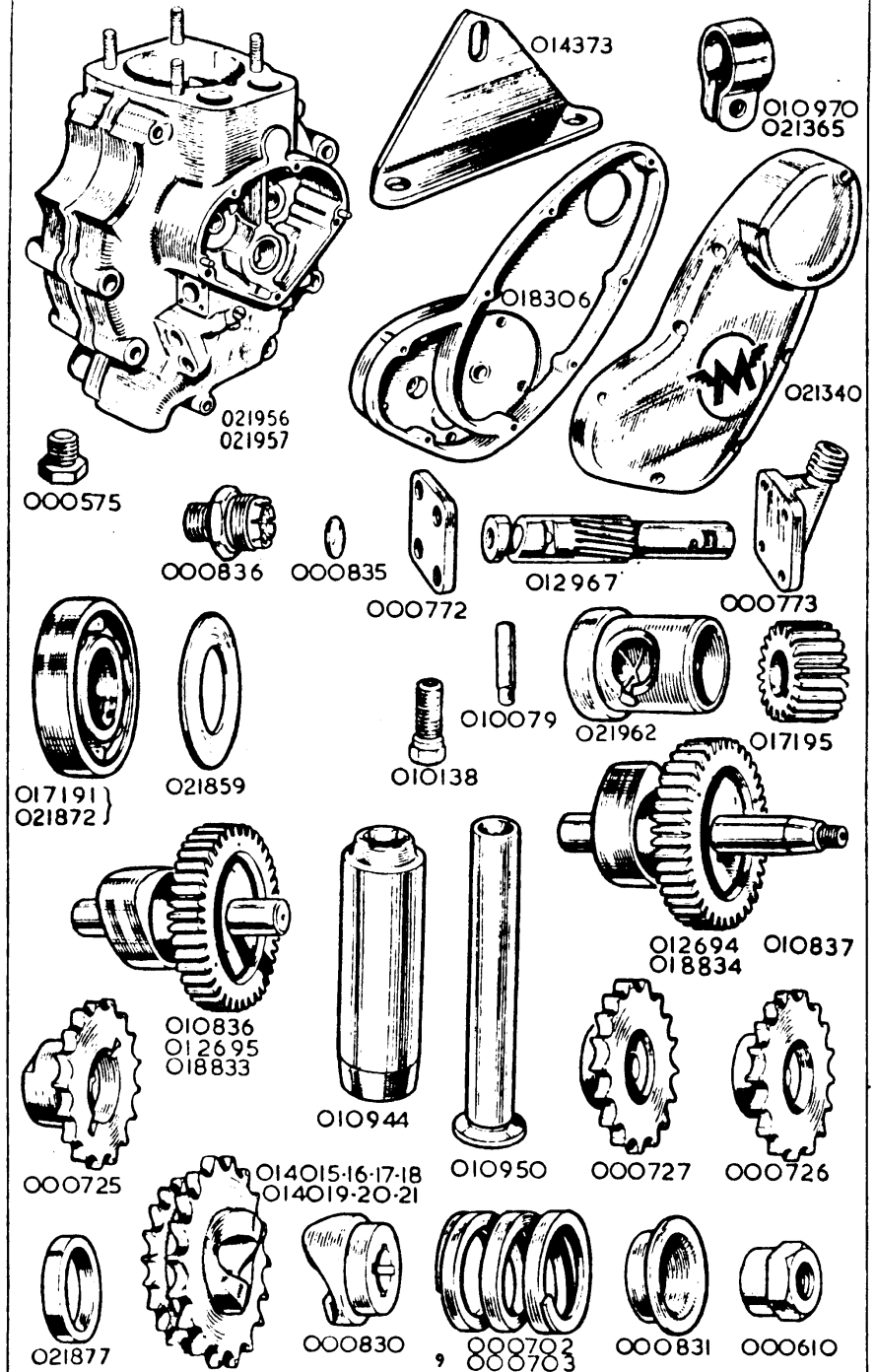
Note 6 ... Halves of crankcases must be "matched" in the Factory. Therefore it is necessary to send the sound half of a crankcase when ordering a new half.

CRANKCASE BEARINGS.

021962	Bush, timing side flywheel axle.....	1	All
012233	Peg, securing timing side bush.....	1	All
021872	Ball bearing, for driving side axle, 1 in. by 2 $\frac{1}{2}$ in. by $\frac{3}{4}$ in.....	1	All
017191	Ball bearing, for driving side axle, 1 in. by 2 $\frac{1}{2}$ ins. by $\frac{3}{8}$ in.....	1	All
021859	Washer, spacing, between ball bearings.....	1	All
000651	Bush, for exhaust cam, in crankcase.....	1	All
000652	Bush, for exhaust cam, in timing cover.....	1	All
000651	Bush, for inlet cam, in crankcase.....	1	All
000651	Bush, for inlet cam in timing cover.....	1	All

CRANKCASE BOLTS.

010824	Stud, front, top position, 6 $\frac{1}{2}$ ins. by $\frac{1}{2}$ in. by 26 and 26.....	1	All
000278	Stud, front, centre position, 4 $\frac{1}{2}$ ins. by $\frac{1}{2}$ in. by 26 and 26.....	1	All
000277	Stud, front, bottom position, 4 $\frac{1}{2}$ ins. by $\frac{1}{2}$ in. by 26 and 26.....	1	All
000278	Stud, bottom, rear position, 4 $\frac{1}{2}$ ins. by $\frac{1}{2}$ in. by 26 and 26..... For the "Stud, bottom, front position" (which also unites the front and rear frames) see FRAME.	1	All
000278	Stud, rear, top position, 4 $\frac{1}{2}$ ins. by $\frac{1}{2}$ in. by 26 and 26..... For the "Stud, rear, centre position," see "000316 stud, fixing centre of chaincase," in FRONT CHAINCASE.	1	All
014147	Bolt, rear, bottom position, 4 $\frac{1}{2}$ ins. by $\frac{1}{2}$ in. by 26.....	1	All
000011	Washer, plain, for $\frac{1}{2}$ in. studs and bolt.....	8	All
000004	Nut, $\frac{1}{2}$ in. by 26, for all $\frac{1}{2}$ in. studs and bolt.....	11	All



OIL PUMP.

012967	... Plunger, oil pump	1	All
010138	... Screw, guide, oil pump plunger	1	All
010079	... Pin, guide screw, oil pump plunger	1	All
000773	... Cap, front end, oil pump	1	All
000772	... Cap, rear end, oil pump	1	All
000582	... Washer, paper, pump end cap	2	All
000015	... Screw, fixing front end cap, oil pump, $\frac{3}{8}$ in. by 3.BA	4	All
000591	... Bolt, fixing rear end cap, oil pump, $\frac{1}{2}$ in. by 3.BA	4	All

RELEASE VALVE.

000836	... Body, release valve	1	All
000835	... Diaphragm, for release valve	1	All

TIMING GEAR.

012694	... Camshaft, exhaust	1	G3L, G3LS, G80, G80S
010837	... Camshaft, exhaust	1	G3LC, G80C
018834	... Camshaft exhaust	1	G3LCS, G80CS
016847	... Washer, shim, .005 in. thick, for exhaust Camshaft	R.	All
016848	... Washer, shim, .010 in. thick, for exhaust Camshaft	R.	All
012695	... Camshaft, inlet	1	G3L, G3LS, G80, G80S
010836	... Camshaft, inlet	1	G3LC, G80C
018833	... Camshaft inlet	1	G3LCS, G80CS
017195	... Pinion, timing, on flywheel axle	1	All
000570	... Key, for timing pinion	1	All
000221	... Nut, retaining timing pinion to axle (left hand thread)	1	All

TAPPETS.

010950	... Tappet, bare	2	All
010944	... Guide, for tappet	2	All

PUSH RODS.

018314	... Rod, long, push, complete (8)	2	All Touring and 350 Comp.
018315	... Rod, long, push, complete (8)	2	Comp. 500
018169	... Rod, long, push, bare	2	All Touring and 350 Comp.
015511	... Rod, long, push, bare	2	Comp. 500
000721	... End, ball, bottom of long push rod	2	All
018266	... Push rod top sleeve, tapped	2	All
000592	... Screw, adjusting, top of long push rod	2	All
000216	... Nut, lock, push rod adjusting screw	2	All
Note B	... "ROD, LONG, PUSH, COMPLETE" comprises—one long push rod with top sleeve end, one bottom, ball end and one adjusting screw with lock nut.				

PUSH ROD COVER TUBES.

010952	... Tube, cover, for long push rod	2	All
010672	... Gasket, rubber, top of cover tube	2	All
016944	... Washer, metal, $\frac{3}{8}$ in. thick, located below 010672 rubber gasket	2	All
011087	... Washer, metal, $\frac{3}{8}$ in. thick, located over 010672 rubber gasket when no compression plate fitted	2	All
011087	... Washer, metal, $\frac{3}{8}$ in. thick, located over 010672 rubber gasket when compression plate fitted, (two in each location)	2	All
014603	... Washer, metal, $\frac{1}{2}$ in. thick, located over 010672 rubber gasket when compression plate fitted	4	All 350
000691	... Gland, rubber, bottom of cover tube	2	All 500

ROCKER BOX.

022142	... Rocker box, assembled (10)	1	G3L, G3LS, G80, G80S
022143	... Rocker box, assembled (10)	1	G3LC, G3LCS, G80C, G80CS
014364	... Rocker box, with bushes (11)	1	G3L, G3LS, G80, G80S
015458	... Rocker box, with bushes (11)	1	G3LC, G3LCS, G80C, G80CS
013958	... Rocker box, bare	1	G3L, G3LS, G80, G80S
015422	... Rocker box, bare	1	G3LC, G3LCS, G80C, G80CS
013984	... Gasket, for rocker box	1	All
017103	... Bush, for rocker box	4	All
013980	... Cover, side, for rocker box	1	G3L, G3LS, G80, G80S
015678	... Cover, side, for rocker box	1	G3LC, G3LCS, G80C, G80CS
014229	... Fillet, rubber, rocker box side cover	1	All
000251	... Stud, fixing rocker box side cover $1\frac{1}{4}$ in. by 2.BA	3	All
000623	... Nut, for rocker box side cover stud	3	All
000205	... Washer, fibre, for rocker box side cover stud	3	All
000508	... Union, oil, in rocker box	1	All
015353	... Bolt, fixing rocker box, short, $1\frac{1}{2}$ ins. by $\frac{1}{2}$ in. by 22	4	All
015354	... Bolt, fixing rocker box, long, $2\frac{1}{2}$ ins. by $\frac{1}{2}$ in. by 22	2	All
015355	... Bolt, fixing rocker box, long, $2\frac{1}{2}$ ins. by $\frac{1}{2}$ in. by 22 with extension $\frac{1}{4}$ in. by 26	2	All, except G3LC G3LC
021444	... Bolt, fixing rocker box, with extension	2	G3LC
015356	... Bolt, fixing rocker box, centre position $3\frac{1}{2}$ ins. by $\frac{1}{2}$ in. by 22	1	All
000011	... Washer, plain, rocker box fixing bolts	9	All
Note 10	Includes all parts listed in this paragraph (except gasket, fixing bolts and washers), and all those listed under "OVERHEAD ROCKERS" and "EXHAUST VALVE LIFTER."				
Note 11	This is a "bare" rocker box to which is fitted four 017103 bushes, two 012722 felt rings and oil metering plug 018890.				

OVERHEAD ROCKERS.

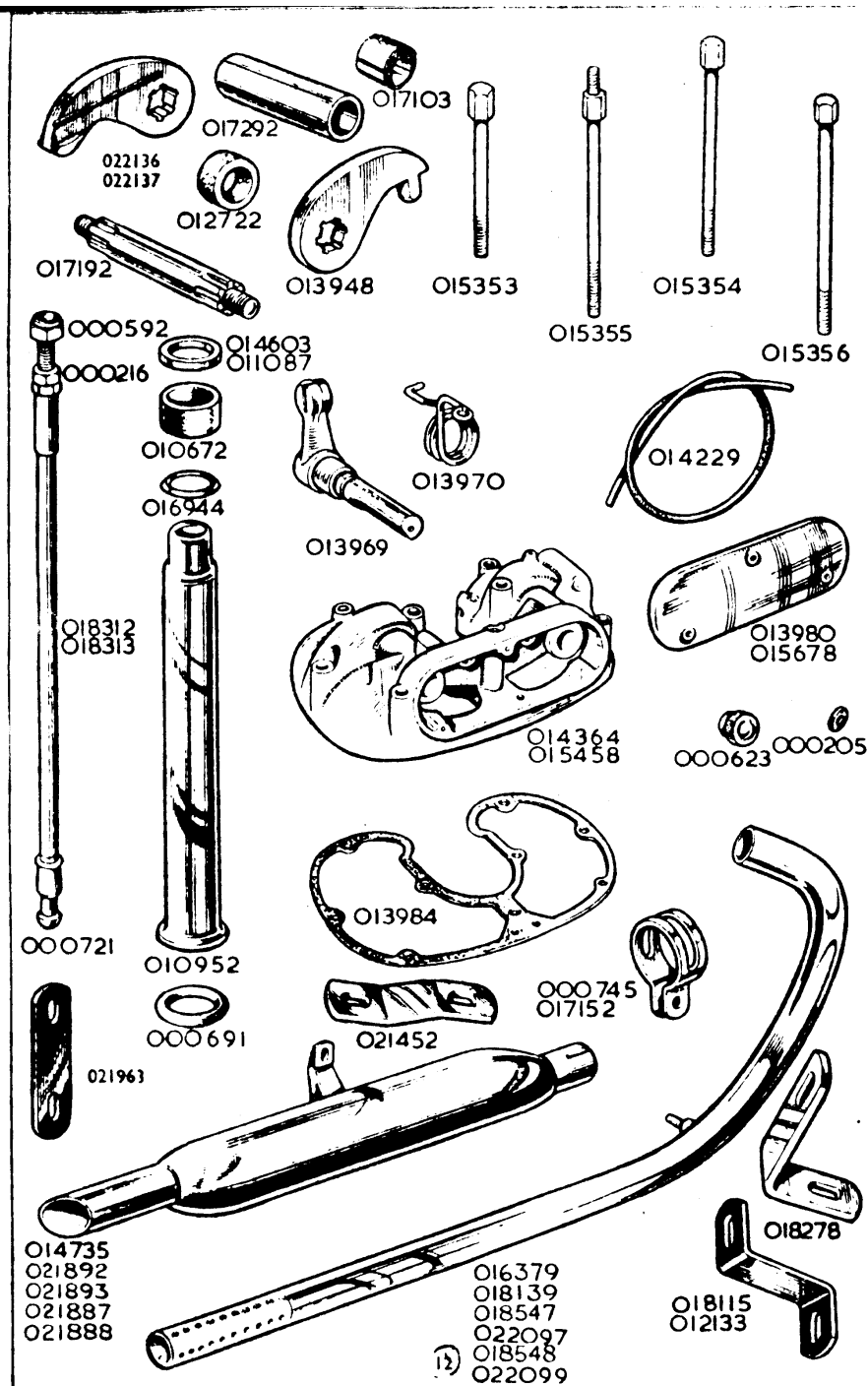
017192	... Axle, rocker	2	All
017292	... Sleeve, for rocker axle	2	All
022136	... Arm, rocker, valve end, inlet	1	All
022137	... Arm, rocker, valve end, exhaust	1	All
013948	... Arm, rocker, tappet end, inlet and exhaust	2	All
000010	... Washer, plain, for rocker axle	4	All
000003	... Nut, for rocker axle	4	All
012722	... Ring, felt, for rocker axle sleeve	2	All

EXHAUST VALVE LIFTER.

013969	... Lever, exhaust lifter	1	All
014523	... Ring, sealing, for valve lifter lever	1	All
013970	... Spring, for valve lifter lever	1	All
000451	... Screw, anchor, valve lifter spring, $\frac{1}{2}$ in. by 2.BA	1	All
000039	... Washer, plain, valve lifter spring screw	1	All

ROCKER BOX STAY.

014373	... Stay, for rocker box	1	All
000004	... Nut, fixing stay to rocker box bolt extension	2	All
000011	... Washer, plain, rocker box bolt extension	2	All
010970	... Clip, for rocker box stay	1	All, except G3LC, G80C
021365	... Clip, for rocker box stay	1	G3LC, G80C



ROCKER BOX STAY—continued.

000364	... Bolt, for rocker box stay clip, $\frac{1}{2}$ in. by $\frac{1}{8}$ in. by 26	I	All	...
000011	... Washer, plain, rocker box stay clip bolt	I	All	...
000004	... Nut, rocker box stay clip bolt	I	All	...
000011	... Washer, rocker box stay	R	All	...

GASKETS.

Engine gaskets are supplied as separate spares and in complete sets. Single gaskets are listed in the groups to which they belong. Gaskets in sets are listed on page 61.

EXHAUST PIPE AND SILENCER SECTION.

PART NUMBER.	DESCRIPTION.	QTY.	USED ON.	PRICE EACH £ s. d.
--------------	--------------	------	----------	-----------------------

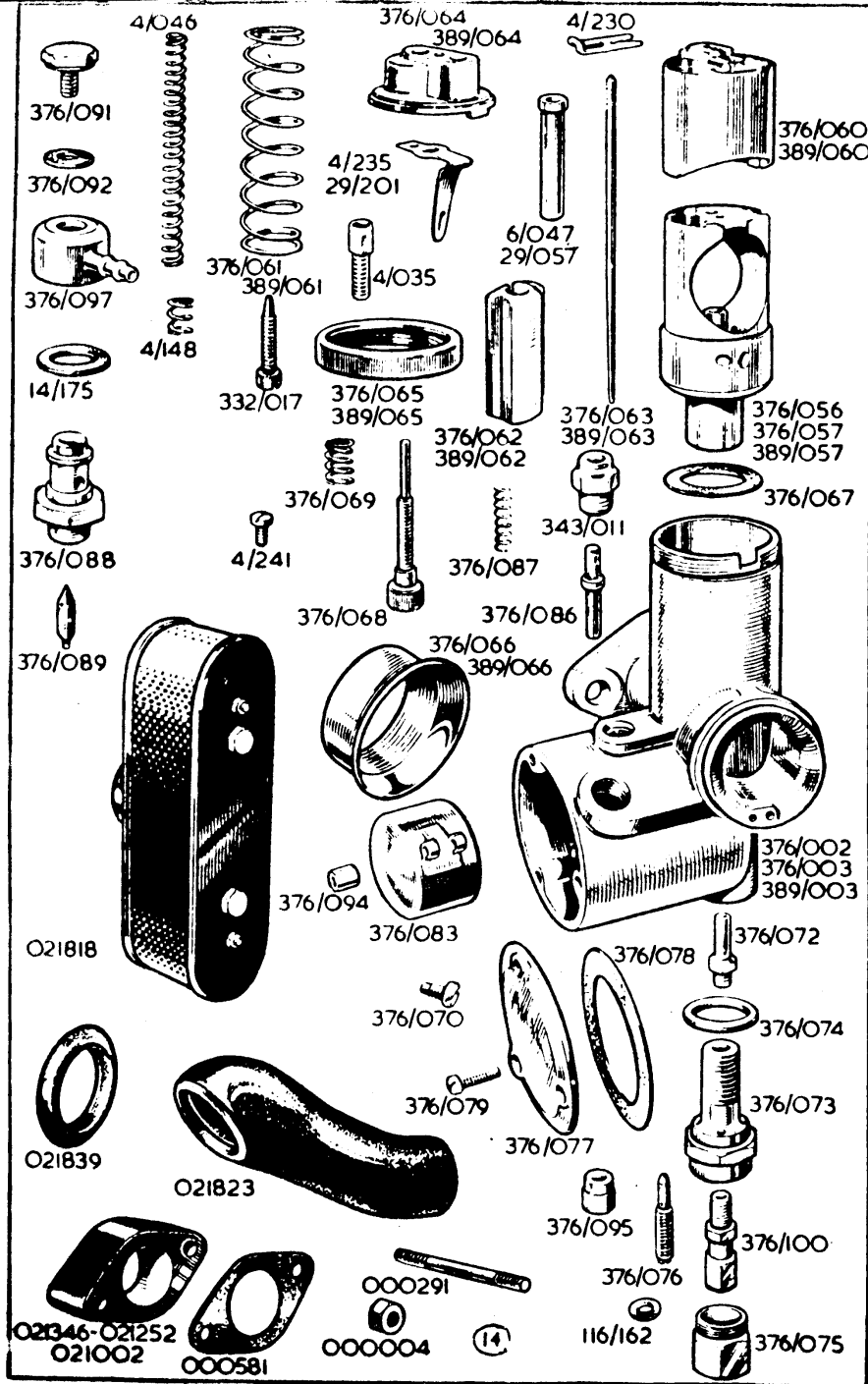
EXHAUST PIPES.

016379	... Pipe, exhaust, bare	I	G3L, G3LS	...
018547	... Pipe, exhaust, bare	I	G3LC	...
022097	... Pipe, exhaust, bare	I	G3LCS	...
018139	... Pipe, exhaust, bare	I	G80, G80S	...
018548	... Pipe, exhaust, bare	I	G80C	...
022099	... Pipe, exhaust, bare	I	G80CS	...
016467	... Pipe, extension, for exhaust pipe (12)	I	G3LC, G3LCS G80C, G80CS	...
021233	... Stay, for exhaust pipe	I	G3L, G3LS	...
018115	... Stay, for exhaust pipe	I	G80, G80S	...
014748	... Stay, for exhaust pipe	I	G3LC, G80C	...
018278	... Stay, for exhaust pipe	I	G3LCS, G80CS	...
000004	... Nut, fixing exhaust pipe to stay	I	All	...
000174	... Washer, plain, exhaust pipe fixing nut	I	All	...
000192	... Washer, spring, exhaust pipe fixing nut	I	All	...

Note 12 This is an optional extra, and fits in place of the standard silencer.

SILENCERS.

021892	... Silencer, bare	I	G3L	...
021887	... Silencer, bare	I	G3LS	...
014735	... Silencer, bare	I	G3LC, G80C, G3LCS, G80CS	...
021893	... Silencer, bare	I	G80	...
021888	... Silencer, bare	I	G80S	...
017152	... Clip, clamping silencer to exhaust pipe	I	G3L, G3LS, G3LC, G3LCS, G80C, G80CS	...
000745	... Clip, clamping silencer to exhaust pipe	I	G80, G80S	...
000363	... Bolt, for silencer clip $\frac{3}{8}$ in. by $\frac{1}{8}$ in. by 26	I	All	...
000174	... Washer, plain, for silencer clip bolt	I	All	...
000004	... Nut, for silencer clip bolt	I	All	...
021963	... Stay, for silencer	I	G3LCS, G80CS	...
000004	... Nut fixing silencer to stay	I	All, except G3LS, G80S	...
000174	... Washer, plain, for silencer fixing nut	I	All, ditto	...
000192	... Washer, spring, for silencer fixing nut	I	All, ditto	...
000363	... Bolt, fixing silencer stay to frame	I	G3LS, G3LCS, G80S, G80CS	...
000011	... Washer, plain, for silencer stay fixing bolt	I	ditto	...
000192	... Washer, spring, for silencer stay fixing bolt	I	ditto	...



CARBURETTER SECTION.

CARBURETTER PARTS.

021873	...	Carburetter, complete (less controls), type 376/1	1	G3L, G3LS, G3LC
021874	...	Carburetter, complete (less controls), type 389/1	1	G80, G80S, G80C
018074	...	Carburetter, complete (less controls), type 10/TT	1	G3LCS
018881	...	Carburetter, complete (less controls), type 10/TT10	1	G80CS
021346	...	Spacer, for carburetter, $\frac{3}{8}$ in. wide, $1\frac{1}{8}$ in. bore	1	G3L, G3LS, G3LC
021252	...	Spacer, for carburetter, $\frac{3}{8}$ in. wide, $1\frac{3}{8}$ in. bore	1	G80, G80S
021002	...	Spacer, for carburetter, $\frac{3}{8}$ in. wide, $1\frac{1}{8}$ in. bore	1	G80C, G80CS
022103	...	Spacer for carburetter, $\frac{3}{8}$ in. wide, $1\frac{1}{8}$ in. bore	1	G3LCS
000581	...	Gasket, for carburetter	1	All
000581	...	Gasket, for carburetter spacer	1	All
376-003	...	Carburetter body	1	G3L, G3LS, G3LC
389-003	...	Carburetter body	1	G80, G80S, G80C
376-077	...	Side cover	1	G3L, G3LS, G3LC, G80, G80S, G80C
376-078	...	Side cover jointing washer	1	ditto
376-079	...	Side cover screw	3	ditto
376-083	...	Float	1	ditto
376-094	...	Float spindle bush	1	ditto
376-089	...	Float needle	1	ditto
376-088	...	Float needle seating	1	ditto
376-065	...	Mixing chamber cap securing ring	1	G3L, G3LS, G3LC
389-065	...	Mixing chamber cap securing ring	1	G80, G80S, G80C
4-235	...	Mixing chamber cap securing ring spring	1	G3L, G3LS, G3LC
29-201	...	Mixing chamber cap securing ring spring	1	G80, G80S, G80C
4-241	...	Screw fixing cap securing ring spring	1	G3L, G3LS, G3LC, G80, G80S, G80C
376-064	...	Mixing chamber cap	1	G3L, G3LS, G3LC
389-064	...	Mixing chamber cap	1	G80, G80S, G80C
4-035	...	Control cable adjuster	2	G3L, G3LS, G3LC, G80, G80S, G80C
376-062	...	Air valve	1	G3L, G3LS, G3LC
389-062	...	Air valve	1	G80, G80S, G80C
6-047	...	Air valve guide	1	G3L, G3LS, G3LC
29-057	...	Air valve guide	1	G80, G80S, G80C
376-060	...	Throttle valve	1	G3L, G3LS, G3LC
389-060	...	Throttle valve	1	G80, G80S, G80C
4-046	...	Air valve spring	1	G3L, G3LS, G3LC, G80, G80S, G80C
376-061	...	Throttle valve spring	1	G3L, G3LS, G3LC

★ Price on application

CARBURETTOR PARTS *continued.*

389-061	Throttle valve spring	I	G80, G80S G80C
376-068	Throttle stop screw	I	G3L, G3LS, G3LC, G80, G80S, G80C
376-069	Throttle stop screw spring	I	ditto
332-017	Pilot air adjusting screw	I	ditto
4-148	Pilot air adjusting screw spring	I	ditto
376-063	Taper jet needle	I	G3L, G3LS, G3LC
389-063	Taper jet needle	I	G80, G80S, G80C
4-230	Taper needle clip	I	G3L, G3LS, G3LC, G80, G80S, G80C
376-072	Needle jet	I	ditto
376-100	Main jet (specify size when ordering)	I	ditto
376-073	Main jet holder	I	ditto
376-074	Jet holder washer	I	ditto
376-075	Main jet cover	I	ditto
376-076	Pilot jet	I	ditto
376-095	Pilot jet cover nut	I	ditto
116-162	Pilot jet cover nut washer	I	ditto
376-057	Jet block complete	I	G3L, G3LS, G3LC
389-057	Jet block complete	I	G80, G80S, G80C
376-067	Jet block washer	I	G3L, G3LS, G3LC, G80, G80S G80C
376-070	Locating peg for jet block	I	ditto
376-097	Petrol pipe banjo	I	ditto
376-091	Petrol pipe banjo bolt	I	ditto
376-092	Petrol pipe banjo bolt washer	I	ditto
14-175	Banjo seating washing	I	ditto
343-011	Tickler body	I	ditto
376-086	Tickler plunger	I	ditto
376-087	Tickler spring	I	ditto
376-066	Air intake venturi	I	G3L, G3LS, G3LC
389-066	Air intake venturi	I	G80, G80S, G80C

The prices of parts of 10TT and 10TT/10 carburettors as fitted to C/S machines can be had upon application

AIR CLEANER. (This is optional extra equipment).

021818	Cleaner, air	I	All except Competition	★
022128	Cleaner, air	I	G3LC, G80C	★
022129	Adaptor, for air cleaner	I	G3LC	★
022130	Adaptor, for air cleaner	I	G80C	★
021823	Sleeve for air cleaner	I	All except Competition	★
021839	Sealing ring, rubber	I	ditto	
022075	Stud to frame, 1 1/8 in. by 1/8 in.	2	ditto	
016983	Set of air cleaner elements comprising filter element and two fabric end gaskets	I	All except Competition	

When an AIR CLEANER is fitted it is essential to :-

Fit a smaller jet, viz :-

for 350 use jet 376/100 (size 200)	I	...
for 500 use jet 376/100 (size 250)	I	...

★ Price on application.

TRANSMISSION SECTION.

ENGINE SPROCKET.

014016	Sprocket, engine, bare, 16 teeth	I	G3LC, G3LCS
014018	Sprocket, engine, bare, 18 teeth	I	G3L, G3LS, G80C, G80CS
014021	Sprocket, engine, bare, 21 teeth	I	G80, G80S
021877	Spacer, collar, for engine sprocket	I	All
000702	Spring, engine shock absorber	I	All 350
000703	Spring, engine shock absorber	I	All 500
000830	Cam, engine shock absorber	I	All
000831	Cap, engine shock absorber spring	I	All
000610	Nut, lock, engine shock absorber	I	All
012444	Washer, felt, between engine sprocket and crankcase	I	G3LC, G3LCS, G80C, G80CS
021117	Cage, for felt washer	I	ditto

The following alternative engine sprockets can be supplied.

014015	Sprocket, engine, bare, 15 teeth	I	All
014017	Sprocket, engine, bare, 17 teeth	I	All
014019	Sprocket, engine, bare, 19 teeth	I	All
014020	Sprocket, engine, bare, 20 teeth	I	All

MAGNETO DRIVING SPROCKET.

000727	Sprocket, magneto, on engine camshaft	I	All
000011	Washer, plain, for camshaft sprocket	I	All
000004	Nut, retaining, for camshaft sprocket	I	All
000726	Sprocket, magneto, on armature shaft	I	G3LC, G3LCS, G80C, G80CS
140074	Washer, plain, for armature sprocket	I	ditto
171284	Nut, retaining, for armature shaft sprocket	I	ditto
021354	Sprocket and automatic advance unit w/fixing bolt and washers (Lucas)	I	G80, G80S
021680	Sprocket and Automatic advance unit w/fixing bolt and washers (Lucas)	I	G3L, G3LS

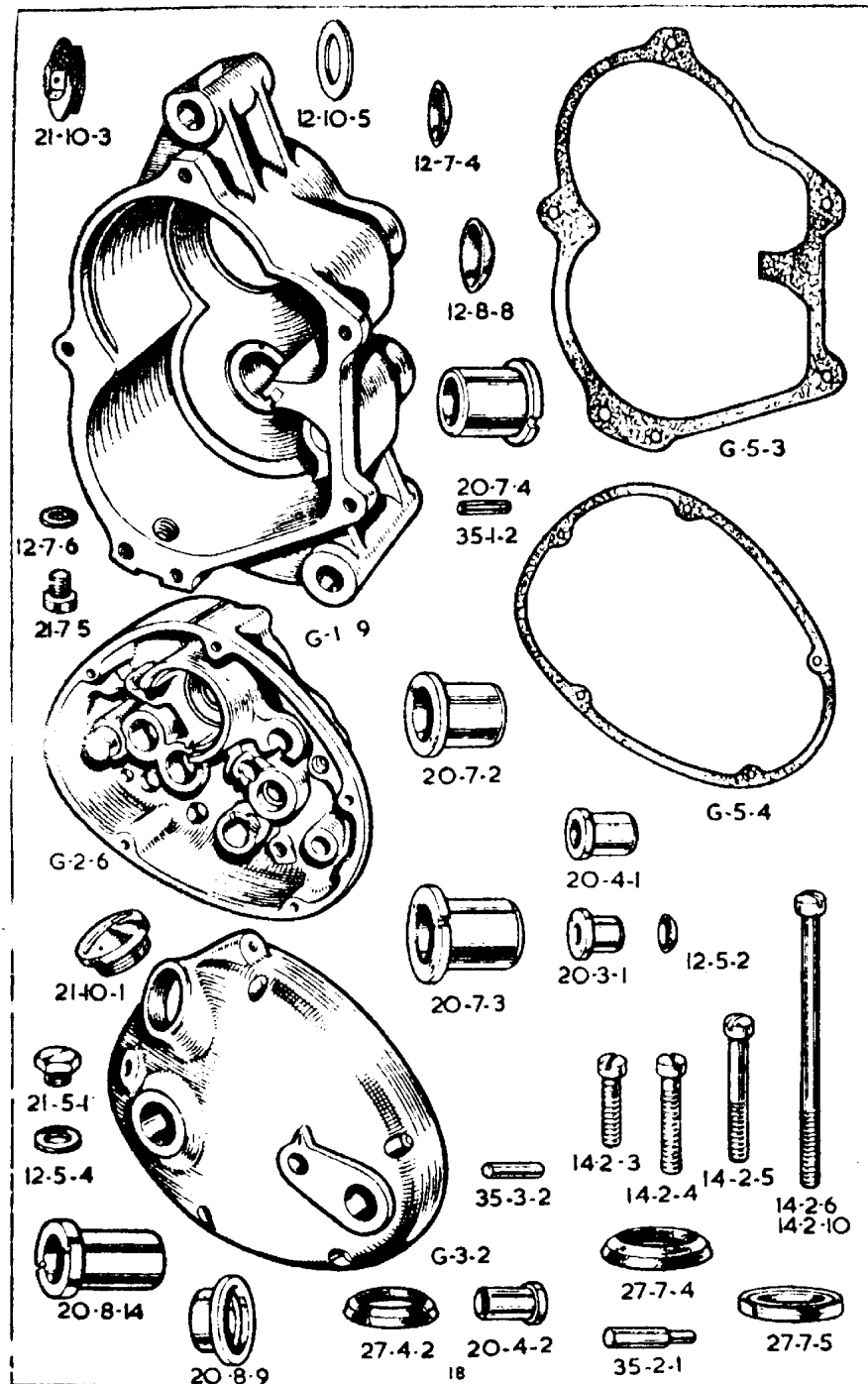
DYNAMO SPROCKET.

000725	Sprocket, on dynamo shaft	I	All
000572	Key, for dynamo sprocket	I	All
000010	Washer, plain, for dynamo sprocket nut	I	All
000164	Washer, lock, for dynamo sprocket nut	I	All
000708	Ring, lock, for dynamo sprocket nut	I	All
000611	Nut, retaining, for dynamo sprocket	I	All

GEARBOX.

016708	Gearbox, complete with four plate clutch, foot gear lever and kick-starter lever	I	G3L, G3LS
016709	Gearbox, complete with five plate clutch, foot gear lever and kick-starter lever	I	G80, G80S
018981	Gearbox, complete with five plate clutch, foot gear lever and kick-starter lever	I	G3LC, G80C
016711	Gearbox, complete with five plate clutch, foot gear lever and kick-starter lever	I	G3LCS, G80CS

★ Price on application.



CHAINS.

017381	Chain, front, 65 links, $\frac{1}{2}$ in. by $\frac{3}{16}$ in. (13)	1	G3LC, G3LCS
017298	Chain, front, 66 links, $\frac{1}{2}$ in. by $\frac{3}{16}$ in. (13)	1	G3L, G3LS, G80C, G80CS
017299	Chain, front, 67 links, $\frac{1}{2}$ in. by $\frac{3}{16}$ in. (13)	1	G80, G80S
017380	Chain, rear, 90 links, $\frac{3}{8}$ in. by $\frac{3}{16}$ in. (13)	1	G3LC, G80C
017301	Chain, rear, 94 links, $\frac{3}{8}$ in. by $\frac{3}{16}$ in. (13)	1	G3L, G80
017376	Chain, rear, 98 links, $\frac{3}{8}$ in. by $\frac{3}{16}$ in. (13)	1	G3LS, G3LCS, G80S, G80CS
017296	Chain, dynamo, 49 links, $\frac{3}{8}$ in. by $\frac{3}{16}$ in. (14)	1	All
017294	Chain, magneto, 46 links, $\frac{3}{8}$ in. by $\frac{3}{16}$ in. (14)	1	All
110046-26	Link, connecting, for $\frac{1}{2}$ in. chains	R	All
110056-26	Link, connecting, for $\frac{3}{8}$ in. chains	R	All
110046-30	Link, cranked, for $\frac{1}{2}$ in. chains	R	All
110056-30	Link, cranked, for $\frac{3}{8}$ in. chains	R	All
110046-27	Clip, spring, for $\frac{1}{2}$ in. connecting links	R	All
110056-27	Clip, spring, for $\frac{3}{8}$ in. connecting links	R	All

Note 13 ... The prices of front and rear chains include spring connecting links, and these are also included in the number of links per chain. We do not sell odd lengths of chain.

Note 14 ... Magneto and Dynamo chains are endless. We do not sell connecting and cranked links for same.

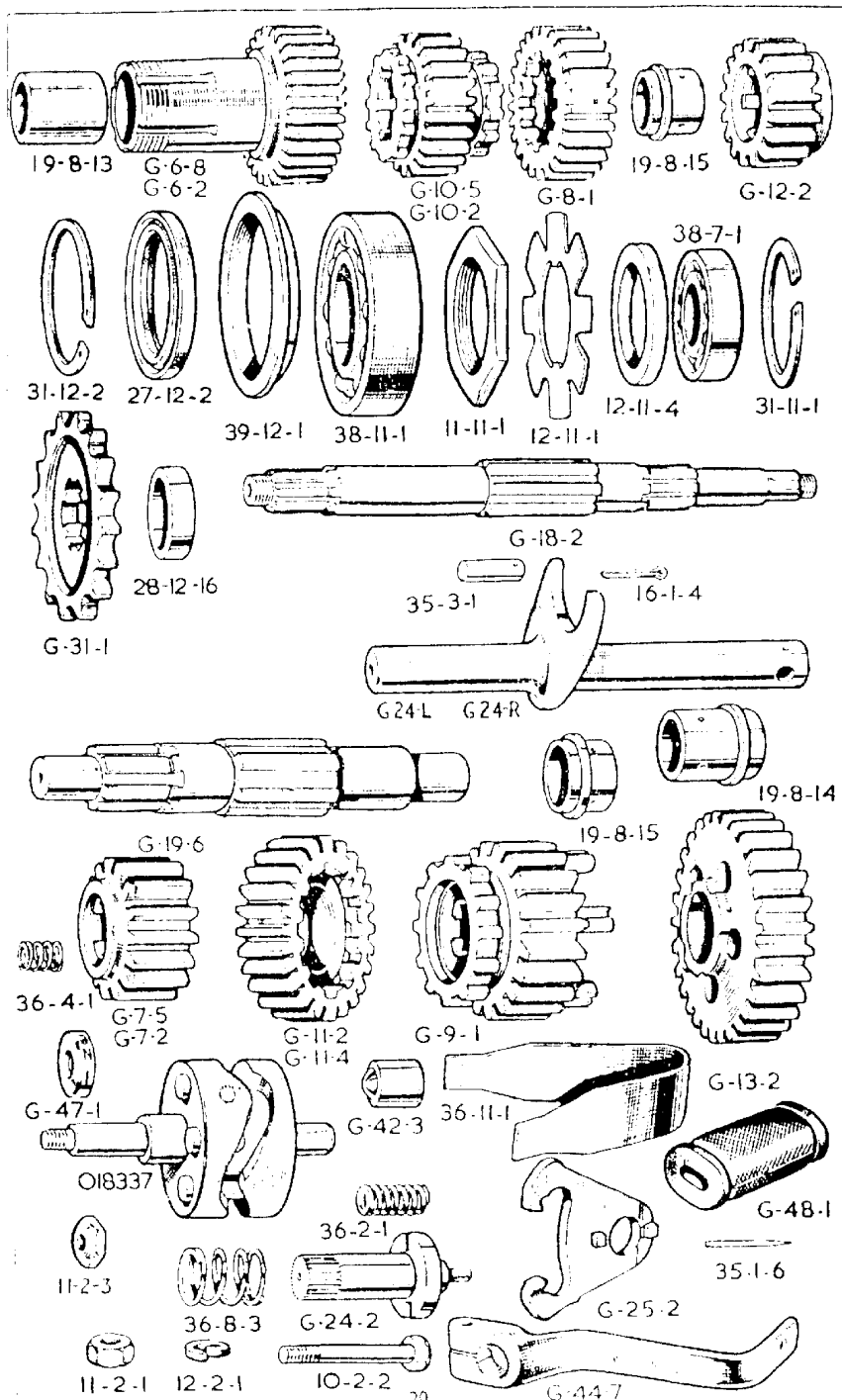
GEAR BOX FIXING PARTS.

010957	Bolt, gearbox top fixing, $5\frac{1}{8}$ ins. by $\frac{1}{2}$ in. by 26	1	All
000318	Stud, gearbox bottom fixing, $4\frac{1}{8}$ ins. by $\frac{1}{4}$ in. by 26	1	All
012999	Spacer, $\frac{1}{2}$ in. wide, on top bolt, outside right	1	All
000002	Nut, for gearbox top fixing bolt	1	All
000002	Nut, for gearbox bottom fixing stud	2	All
000009	Washer, plain, for top fixing bolt, left side	1	All
013987	Eye-bolt, for front chain adjustment	1	All
000215	Nut, for front chain adjustment eye-bolt	2	All
000785	Crosshead, for front chain adjustment eye-bolt	1	All
000361	Bolt, fixing crosshead to engine plate, $\frac{3}{8}$ in. by $\frac{1}{2}$ in. by 26	1	G3L, G3LC, G80, G80C
000011	Washer, plain, for crosshead fixing bolt	1	G3L, G3LC, G80, G80C

GEAR BOX SHELL.

G-1-9	Shell, gearbox	1	All
21-10-3	Inspection plug	1	All
12-10-5	Inspection plug washer	1	All
21-7-5	Plug, drain, for gearbox shell	1	All
12-7-6	Washer, fibre, for gearbox shell drain plug	1	All
12-7-4	Cap, in shell, covering bore for selector spindles	2	All
35-3-2	Pin, dowel, locating, kick-starter case on gearbox shell	1	All
G-2-6	Case, kick-starter	1	All
G-5-3	Washer, paper, between shell and kick-starter case	1	All
G-3-2	Cover, for kick-starter case	1	All
G-5-4	Washer, paper, between kick-starter case and cover	1	All
28-12-45	Piece, locating, between kick-starter case and cover	1	All
35-1-1	Pin, dowel, locating fixed cam-plate in kick-starter case	2	All
21-10-1	Cap, filler, for kick-starter case cover	1	All
21-5-1	Plug, oil level, in kick-starter case cover	1	All
12-5-4	Washer, fibre, for oil level plug	1	All
35-2-1	Pin, anchor, in cover, for kick-starter spring	1	All
14-2-3	Screw, $\frac{1}{8}$ in. under head	1	All
14-2-4	Screw, $\frac{1}{8}$ in. under head	3	All
14-2-5	Screw, $\frac{1}{8}$ in. under head	2	All
14-2-6	Screw, $2\frac{1}{2}$ ins. under head	1	All
14-2-10	Screw, $3\frac{1}{4}$ ins. under head	1	All
12-2-5	Fibre washer (fits under screwhead)	8	All

Above screws have cheese heads and are threaded $\frac{1}{4}$ in. whit.



SHAFTS AND GEARS.

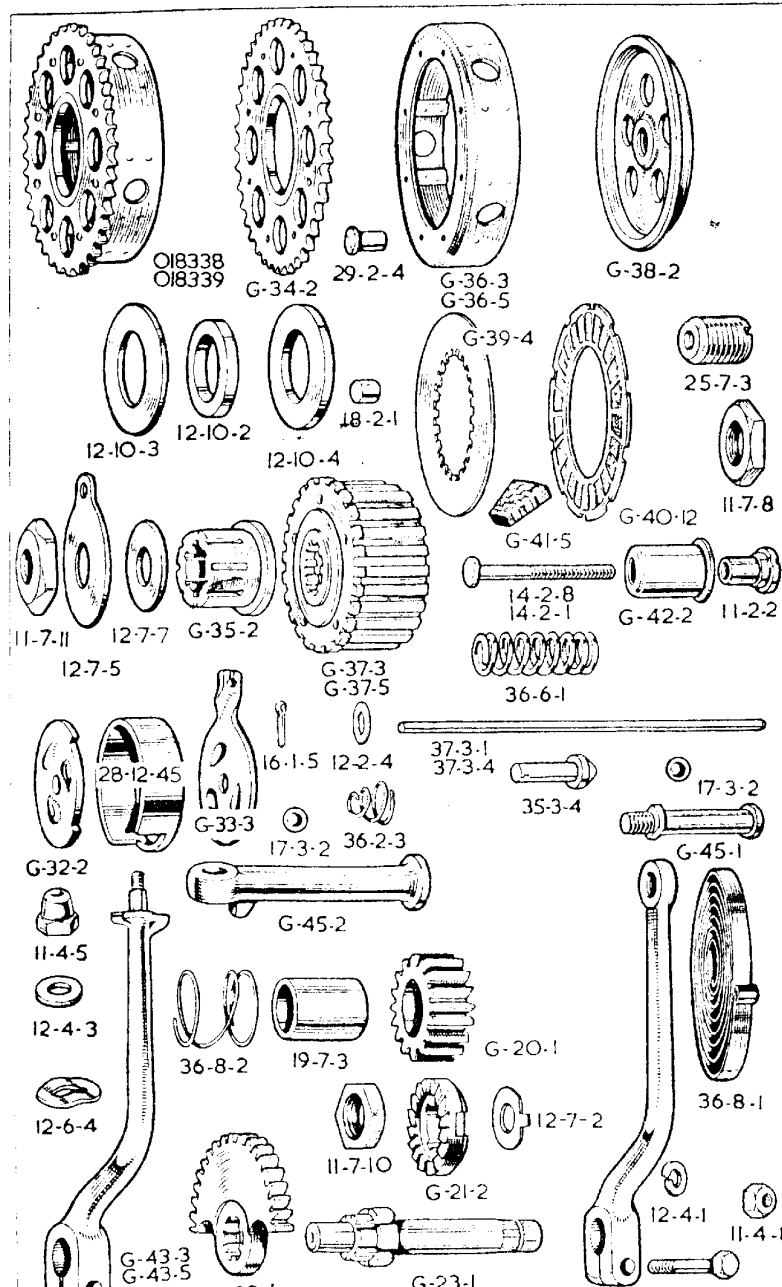
G-18-2	... Mainshaft, for gearbox.....	1	All	...
G-19-6	... Layshaft, for gearbox (overall length 5 3/8 ins.).....	1	All	...
G-6-2	... Gear, driving, mainshaft, with bushes, 28 teeth.....	1	G3L, G3LS, G80S, G80CS ...	
G-6-8	... Gear, driving, mainshaft with bushes, 30 teeth.....	1	G3LC, G80C ...	
G-12-2	... Gear, first, mainshaft, 17 teeth.....	1	All	...
G-10-2	... Gear, second, mainshaft, 22 teeth.....	1	G3L, G3LS, G80, G80S, G3LCS, G80CS	
G-10-5	... Gear, second, mainshaft, 20 teeth.....	1	G3LC, G80C	
G-8-1	... Gear, third, mainshaft, 25 teeth.....	1	All	...
G-7-2	... Pinion, on layshaft, 18 teeth.....	1	G3L, G3LS, G80, G80S, G3LCS, G80CS	
G-7-5	... Pinion on, layshaft, 16 teeth.....	1	G3LC, G80C	
G-13-2	... Gear, first, layshaft, with bush, 29 teeth.....	1	All	...
G-11-2	... Gear, second, layshaft, with bush, 24 teeth.....	1	G3L, G3LS, G3LCS, G80, G80S, G80CS ...	
G-11-4	... Gear, second, layshaft, 26 teeth.....	1	G3LC, G80C	
G-9-1	... Gear, third, layshaft, 21 teeth.....	1	All	...
19-8-13	... Bush, for mainshaft driving gear.....	2	All	...
19-8-15	... Bush, for mainshaft third gear.....	1	All	...
19-8-15	... Bush, for layshaft second gear.....	1	All	...
19-8-14	... Bush, for layshaft first gear.....	1	All	...

GEARBOX BEARINGS, CAPS AND OIL-SEALS

38-11-1	... Bearing, ball, 1 3/8 in. by 62 mm. by 16 mm. for driving gear on mainshaft.....	1	All	...
27-12-2	... Oil-seal, for driving gear bearing.....	1	All	...
39-12-1	... Housing, for driving gear bearing oil-seal.....	1	All	...
31-12-2	... Ring, split, retaining driving gear bearing.....	1	All	...
38-7-1	... Bearing, ball, 17 mm. by 40 mm. by 12 mm. for mainshaft (kick-starter end).....	1	All	...
31-11-1	... Ring, split, retaining mainshaft ball bearing.....	1	All	...
20-7-4	... Bush, for layshaft (clutch end) (-968 in. long).....	1	All	...
35-1-2	... Pin, dowel, locating layshaft bush.....	1	All	...
12-8-8	... Cap, in shell, covering bore, for layshaft.....	1	All	...
20-7-3	... Bush, for layshaft (kick-starter end) (-779 in. long).....	1	All	...
35-1-2	... Pin, dowel, locating layshaft bush.....	1	All	...
20-7-2	... Bush, in kick-starter case, for kick-starter spindle.....	1	All	...
20-8-14	... Bush, in cover, for kick-starter spindle.....	1	All	...
27-7-5	... Oil-seal, in cover bush, for kick-starter spindle.....	1	All	...
20-4-1	... Bush, in kick-starter case, for cam spindle.....	1	All	...
20-4-2	... Bush, kick-starter case cover.....	1	All	...
27-4-2	... Oil-seal, in cover bush, for cam spindle.....	1	All	...
20-3-1	... Bush, in kick-starter case, for control quadrant spindle.....	1	All	...
12-5-2	... Cap, in kick-starter case, covering bore for control quadrant spindle.....	1	All	...
20-8-9	... Bush, in cover, for control quadrant spindle.....	1	All	...
27-7-4	... Oil-seal, in cover bush, for control quadrant spindle.....	1	All	...

GEARBOX SMALL SPROCKET

G-31-1	... Sprocket, gearbox, 16 teeth by 5/8 in. by -380 in.....	1	All	...
28-12-16	... Collar, spacing, gearbox sprocket, .435 in. wide.....	1	All	...
12-11-3	... Spacer, 1/8 in. thick.....	2	All	...
12-11-1	... Washer, lock, for gearbox sprocket nut.....	1	All	...
11-11-1	... Nut, fixing gearbox sprocket to driving gear.....	1	All	...
O18494	... Deflector, water, fits under nut 11-11-1.....	1	G3LC, G80C, G3LCS, G80CS	



GEAR OPERATING PARTS

G-29-4	...	Spindle and fork, gear selection, left	1	All	...
G-29-6	...	Spindle and fork, gear selection, right	1	All	...
35-3-1	...	Peg, for selector spindles	2	All	...
16-1-4	...	Pin, cotter, for selector spindle pegs	2	All	...
018337	...	Cam assembly	1	All	...

The cam assembly comprises:

- 1—G-27-2 Spindle.
- 1—G-28-1 Cam.
- 3—35-2-4 Pegs.
- 1—35-2-2 Locating pegs.
- 2—35-1-4 Cam stop pegs.

(Above parts not sold as separate spares)

G-42-3	...	Plunger, locating cam assembly	1	All	...
36-2-1	...	Spring, for cam assembly locating plunger	1	All	...
G-25-2	...	Quadrant, for control spindle	1	All	...
35-2-6	...	Peg, quadrant drive	1	All	...
G-24-2	...	Spindle, for gear control quadrant	1	All	...
36-11-1	...	Spring, primary, for control quadrant	1	All	...
36-8-3	...	Spring, secondary, for control quadrant	1	All	...
G-47-1	...	Indicator	1	All	...
36-4-1	...	Spring under indicator	1	All	...
11-2-3	...	Nut, retaining indicator	1	All	...
G-44-7	...	Lever, foot, for gear control	1	All	Except CS
G-48-1	...	Pad, rubber, for gear foot lever	1	All	...
35-1-6	...	Pin, fixing gear foot lever rubber pad	1	All	...
10-2-2	...	Bolt, clamping gear foot lever	1	All	...
12-2-1	...	Washer, spring, for gear foot lever bolt	1	All	...
11-2-1	...	Nut, for gear foot lever bolt	1	All	...
G-44-8	...	Lever, foot, gear control	1	G3LCS, G80CS	...

CLUTCH

G-36-3	...	Case, for five plate clutch	1	All	...
29-2-4	...	Rivet, for clutch case and chainwheel	8	All	...
G-34-2	...	Chainwheel, 40 teeth by 1/2 in. by .305 in.	1	All	...
018339	...	Case and chainwheel, assembled	1	All	...
G-35-2	...	Sleeve, for mainshaft	1	All	...
12-10-2	...	Race, roller, for clutch bearing chainwheel	1	All	...
18-2-1	...	Rollers, for chainwheel bearing	24	All	price per set of
12-10-3	...	Washer, thin, chainwheel bearing	1	All	...
12-10-4	...	Washer, thick, chainwheel bearing	1	All	...
G-37-5	...	Centre, for four plate clutch	1	G3L, G3LS	...
G-37-3	...	Centre, for five plate clutch	1	All except G3L, G3LS	...
12-7-7	...	Washer, plain, for centre retaining nut	1	All	...
12-7-5	...	Washer, lock, for centre retaining nut	1	All	...
11-7-11	...	Nut, retaining clutch centre	1	All	...
G-39-4	...	Plate, clutch, plain, steel	5 or 6	All	...
G-40-12	...	Plate, clutch, friction, with inserts	4	G3L, G3LS	...
G-40-12	...	Plate, clutch, friction, with inserts	5	G3LC, G80, G80S, G80C, G80CS, G3LCS	...

CLUTCH—continued.

G-41-5	...	Inserts, fabric, for friction plate.....price per dozen	96	G3L, G3LS	...
G-41-5	...	Inserts, fabric, for friction plate.....price per dozen	120	G3LC, G80, G80S, G80C, G80CS, G3LCS	...
G-38-2	...	Plate, clutch, spring pressure.....	1	All	...
25-7-3	...	Cup thrust, for spring pressure plate.....	1	All	...
11-7-8	...	Nut, lock, for pressure plate thrust cup.....	1	All	...
14-2-1	...	Stud, for clutch spring, 1 $\frac{1}{2}$ in. long (four plate clutch).....	5	G3L, G3LS	...
14-2-8	...	Stud, for clutch spring, 2 ins. long (five plate clutch).....	5	G3LC, G80, G80S, G80C, G80CS, G3LCS	...
36-6-1	...	Spring, for clutch	5	All	...
G-42-2	...	Cup, for clutch spring.....	5	All	...
11-2-2	...	Nut, adjusting, for clutch spring.....	5	All	...

CLUTCH OPERATING PARTS

37-3-4	...	Rod, thrust, 9 $\frac{3}{4}$ ins. long (four plate clutch).....	1	G3L, G3LS	...
37-3-1	...	Rod, thrust, 10 $\frac{3}{8}$ ins. long (five plate clutch).....	1	G3LC, G80, G80S, G80C, G80CS, G3LCS	...
17-3-2	...	Ball, $\frac{3}{8}$ in., steel, for clutch thrust rod.....	1	All	...
G-32-2	...	Cam-plate, fixed, actuating clutch.....	1	All	...
G-33-3	...	Cam-plate, moving, actuating clutch.....	1	All	...
35-3-4	...	Dowel, thrust (passes through both cam-plates).....	1	All	...
12-2-4	...	Washer, plain, for cam-plate dowel.....	1	All	...
36-2-3	...	Spring, for cam-plate dowel.....	1	All	...
16-1-5	...	Pin, split, for cam-plate dowel.....	1	All	...
17-3-2	...	Ball, $\frac{3}{8}$ in., steel, for cam-plates.....	3	All	...

KICK-STARTER

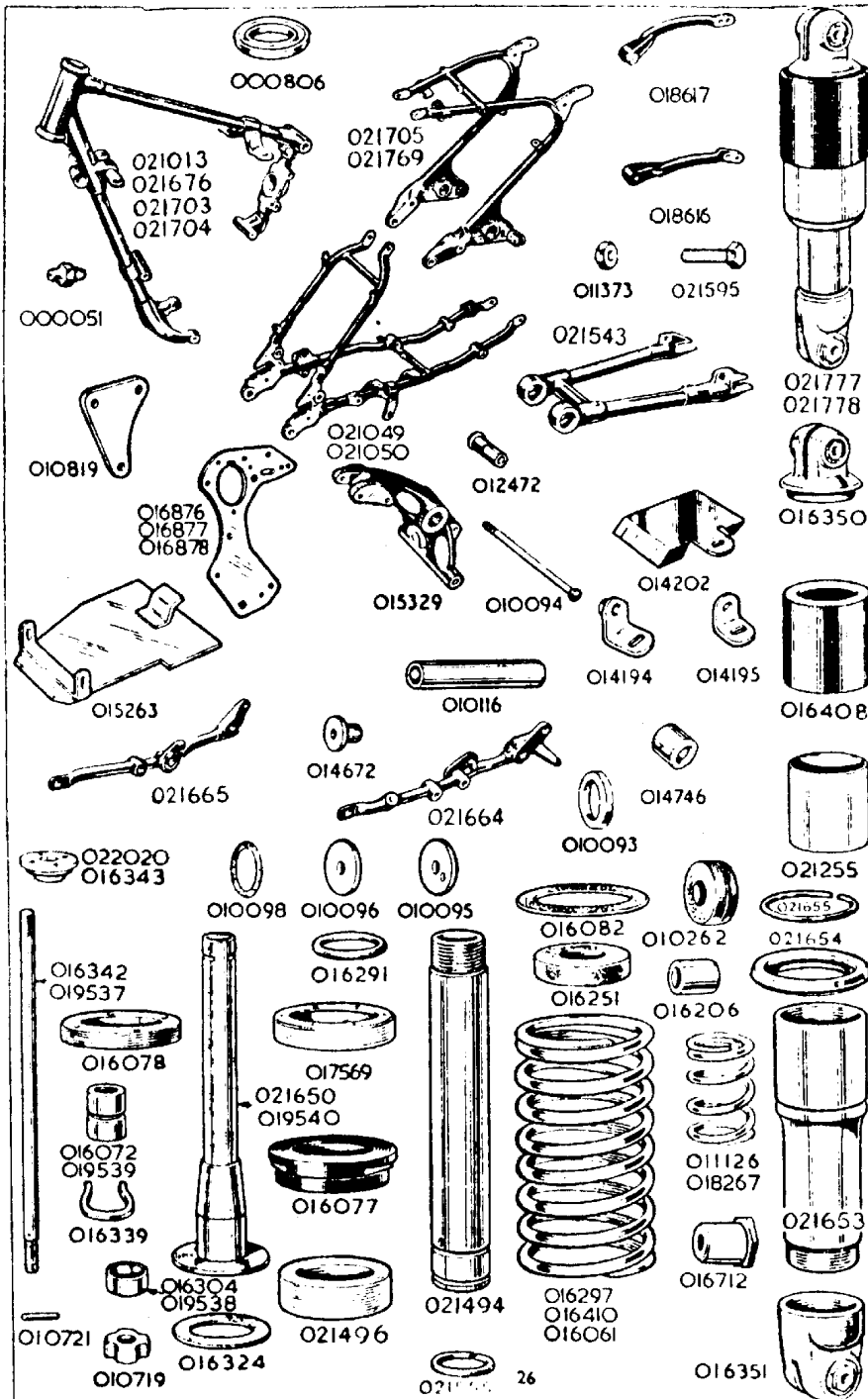
G-21-2	...	Ratchet, driving, kick-starter.....	1	All	...
G-20-1	...	Pinion, ratchet, kick-starter.....	1	All	...
19-7-3	...	Bush, kick-starter ratchet pinion.....	1	All	...
36-8-2	...	Spring, kick-starter ratchet pinion.....	1	All	...
11-7-10	...	Nut, retaining ratchet driver to mainshaft.....	1	All	...
12-7-22	...	Washer, lock, for retaining nut.....	1	All	...
G-23-1	...	Spindle, for kick-starter quadrant.....	1	All	...
G-22-1	...	Quadrant, for kick-starter.....	1	All	...
018340	...	Kick-starter quadrant and spindle assembled.....	1	All	...
36-8-1	...	Spring, return, for kick-starter foot lever.....	1	All	...
G-43-2	...	Lever, foot, kick-starter, bare.....	1	G3L, G3LS, G80, G80S	...
G-43-3	...	Lever, foot, kick-starter, bare.....	1	G3LC, G80C	...
G-43-5	...	Lever, foot, kick-starter, bare.....	1	G3LCS, G80CS	...
G-45-1	...	Pin, pedal, rigid, for kick-starter lever.....	1	G3L, G3LS, G80, G80S	...
G-45-2	...	Pin, pedal, folding, for kick-starter lever.....	1	G3LC, G80C, G3LCS, G80CS	...
11-4-5	...	Nut, retaining folding pedal pin.....	1	G3LC, G80C, G3LCS, G80CS	...
12-4-3	...	Washer, plain, for pin retaining nut.....	1	G3LC, G80C, G3LCS, G80CS	...
12-6-4	...	Washer, spring, for pin retaining nut.....	1	G3LC, G80C, G3LCS, G80CS	...
10-4-1	...	Bolt, clamping, kick-starter foot lever to spindle.....	1	All	...
12-4-1	...	Washer, spring, for foot lever clamping bolt.....	1	All	...
11-4-1	...	Nut, for foot lever clamping bolt.....	1	All	...

FRAME SECTION.**FRONT FRAME.**

021704	...	Frame, front portion only, bare.....	1	G3LS, G80S	...
021703	...	Frame, front portion only, bare.....	1	G3L, G80	...
021013	...	Frame, front portion only, bare.....	1	G3LC, G80C	...
022033	...	Frame, front portion only, bare.....	1	G3LCS, G80CS	...
000806	...	Race, ball, for frame head lug.....	2	All except G3LC, G80C	...
012594	...	Race, ball, for frame head, top.....	1	G3LC, G80C	...
012595	...	Race, ball, for frame head, bottom.....	1	G3LC, G80C	...
000072	...	Balls, $\frac{3}{8}$ in. diameter, for steering head, per set of 56	56	All	...
000051	...	Nipple, grease, for frame head lug.....	1	All	...
021767	...	Stud, for seat lug (below saddle), 4 $\frac{1}{2}$ ins. by $\frac{1}{2}$ in. by 26	1	G3L, G3LC, G80, G80C	...
021768	...	Stud, for seat lug (below saddle), 4 $\frac{7}{8}$ ins. by $\frac{1}{2}$ in. by 26	1	G3LS, G3LCS, G80S, G80CS	...
000008	...	Washer, plain, for seat lug stud.....	2	All Touring and Scrambles	...
000001	...	Nut, for seat lug stud.....	2	All	...
021084	...	Stud, uniting front and rear frame, 6 $\frac{1}{2}$ ins. by $\frac{3}{8}$ in. by 26	1	G3L, G3LS, G80, G80S	...
021917	...	Stud, uniting front and rear frame, 6 $\frac{3}{8}$ ins. by $\frac{3}{8}$ in. by 26	1	G3LC, G3LCS, G80C, G80CS	...
000010	...	Washer, plain, for frame uniting stud.....	2	All	...
000003	...	Nut, for frame uniting stud.....	2	All	...

REAR FRAME.

021049	...	Frame, rear portion only.....	1	G3L, G80	...
021050	...	Frame, rear portion only.....	1	G3LC, G80C	...
017031	...	Bolt, adjusting rear chain, 2 $\frac{1}{4}$ ins. by $\frac{1}{2}$ in. by 26.....	2	G3L, G3LC, G80, G80C	...
000005	...	Nut, lock, for rear chain adjusting bolt.....	2	ditto	...
021665	...	Rail, frame, right side.....	1	G3LS, G3LCS, G80S, G80CS	...
021664	...	Rail, frame, left side.....	1	ditto	...
021705	...	Loop, rear frame.....	1	G3LS, G80S	...
021769	...	Loop, rear frame.....	1	G3LCS, G80CS	...
021715	...	Stud, for rear loop at bottom, 10 $\frac{3}{8}$ ins. by $\frac{7}{8}$ in. by 26 (Also passes through rear fork bridge and both frame rails).....	1	G3LS, G3LCS, G80S, G80CS	...
000410	...	Bolt, frame rail end.....	2	G3LS, G3LCS, G80S, G80CS	...
000003	...	Nut, frame rail end bolt.....	2	ditto	...
000010	...	Washer, frame rail end bolt.....	2	ditto	...
000002	...	Nut, for rear loop bottom stud.....	1	ditto	...
000009	...	Washer, plain, for rear loop bottom stud.....	2	ditto	...
018617	...	Tube, supporting rear of rear mudguard, right side.....	1	G3LS, G80S	...
018616	...	Tube, supporting rear of rear mudguard, left side.....	1	ditto	...
000343	...	Bolt, fixing mudguard to support tube $\frac{1}{2}$ in. by $\frac{1}{2}$ in. by 26.....	2	ditto	...
000012	...	Washer, plain, for mudguard support tube bolt.....	2	ditto	...
000191	...	Washer, spring, for mudguard support tube bolt.....	2	ditto	...
000005	...	Nut, for mudguard support tube bolt.....	2	ditto	...
015329	...	Bridge, for rear fork (includes bushes and studs for centre stand spring clip).....	1	G3LS, G3LCS, G80S, G80CS	...
014672	...	Bush, for rear fork bridge.....	2	ditto	...
000250	...	Stud, for rear fork bridge, $\frac{3}{4}$ in. by 2.BA.....	2	ditto	...



ENGINE PLATES AND BOLTS.

010819	...	Plate, engine, front	2	All
010823	...	Stud, fixing front plate to frame tube, 6 $\frac{3}{8}$ ins. by $\frac{1}{2}$ in. by 26	1	All
000010	...	Washer, plain, for engine front plate stud	2	All
000003	...	Nut, for stud fixing engine front plate	2	All
016876	...	Plate, engine, rear	2	G3L, G3LS, G80, G80S
016877	...	Plate, engine, rear	2	G3LC, G80C
016878	...	Plate, engine, rear	2	G3LCS, G80CS
000303	...	Stud, for seat tube bottom lug, 4 $\frac{1}{2}$ ins. by $\frac{1}{2}$ in. by 26	1	G3L, G3LC, G80, G80C
013826	...	Spacer, $\frac{1}{4}$ in. long, for seat tube bottom stud, left	1	ditto
013827	...	Spacer, $\frac{1}{4}$ in. thick, for seat tube bottom stud, right	1	ditto
000003	...	Nut, for seat tube bottom lug stud	2	ditto
000303	...	Stud, passing through top of engine rear plates, lower end of front frame seat tube and rear fork bridge, 4 $\frac{1}{2}$ ins. by $\frac{1}{2}$ in. by 26	1	G3LS, G3LCS, G80S, G80CS...
000003	...	Nut, for 000303 stud	2	ditto
000278	...	Stud, passing through rear fork bridge, and back ends of engine rear plates, 4 $\frac{1}{2}$ ins. by $\frac{1}{2}$ in. by 26. (The front chain adjusting eye-bolt block screws on the right-hand end of this stud.)	1	ditto
000011	...	Washer, plain, for 000278 stud	1	ditto
000004	...	Nut, for 000278 stud	1	ditto
015263	...	Shield, for crankcase	1	G3LC, G3LCS, G80C, G80CS...
000277	...	Stud, for engine plate extension, 4 $\frac{1}{2}$ ins. by $\frac{1}{2}$ in. by 26	1	ditto
017198	...	Spacer, 3 $\frac{1}{2}$ ins. long, for engine plate extension	2	ditto
000004	...	Nut, for 000277 studs	3	ditto
000277	...	Stud, engine rear plate crosshead, 4 $\frac{1}{2}$ ins. by $\frac{1}{2}$ in. by 26 (only used if no dynamo fitted)	1	ditto
014202	...	Cover, rear engine plate	1	All
014194	...	Bracket, long, for horn	1	All
014195	...	Bracket, short, for horn	1	All
000413	...	Bolt, fixing cover plate and brackets, $\frac{3}{8}$ in. by $\frac{1}{2}$ in. by 26	1	All
000010	...	Washer, plain, for cover plate bolt	1	All

REAR FORK.

021543	...	Fork, rear	1	G3LS, G3LCS, G80S, G80CS...
021595	...	Adjuster, rear chain	2	ditto
011373	...	Nut, lock, for chain adjuster	2	ditto
014746	...	Sleeve, assembly (bushed)	2	ditto
010116	...	Tube	1	ditto
010095	...	Cap, for rear fork bearing, right side	1	ditto
010096	...	Cap, for rear fork bearing, left side	1	ditto
010093	...	Washer, felt, for rear fork bearing	2	ditto
010098	...	Gasket, for rear fork bearing caps	2	ditto
010094	...	Spoke, for rear fork bearing (central tie bolt)	1	ditto
012472	...	Nipple, for rear fork bearing spoke	1	ditto
000485	...	Screw, plug, for oil, in end cap, $\frac{1}{2}$ in. by $\frac{1}{2}$ in. by 26	1	ditto
000203	...	Washer, fibre, for oil plug screw	1	ditto

TELEDRALIC REAR LEG.

021777	...	Leg, TELEDRALIC, rear complete assembly (no fixing bolts, washers and nuts).....	2	G3LS, G80S
021778	...	Leg, TELEDRALIC, rear, complete assembly (no fixing bolts, washers and nuts).....	2	G3LCS, G80CS
016350	...	Pivot, top, assembled (this assembly includes the next three items).....	2	G3LS, G3LCS, G80S, G80CS
016059	...	Pivot, top, bare.....	2	ditto
010262	...	Bush, rubber, for top pivot.....	4	ditto
016206	...	Spacer, for top pivot rubber bush.....	4	ditto
016351	...	Pivot, bottom, assembled (this assembly includes the next five items).....	2	ditto
016060	...	Pivot, bottom bare.....	2	ditto
010262	...	Bush, rubber, for bottom pivot.....	4	ditto
016206	...	Spacer, for bottom pivot rubber bush.....	2	ditto
016712	...	Sleeve nut, for bottom pivot bolt.....	2	ditto
016873	...	Washer, plain, for 016712 sleeve nut.....	2	ditto
021494	...	Tube, inner (fits in top pivot recess).....	2	ditto
016291	...	Ring, sealing inner tube at top.....	2	ditto
021496	...	Bush, lower end of inner tube.....	2	ditto
021555	...	Circlip, retaining inner tube bush.....	4	ditto
021653	...	Tube, outer (screws into bottom pivot).....	2	ditto
016324	...	Washer, sealing lower end of outer tube.....	4	ditto
016077	...	Bush, for outer tube.....	2	ditto
017569	...	Oil-seal, between inner and outer tubes.....	2	ditto
016078	...	Collar, retaining oil-seal.....	2	ditto
021650	...	Tube, for damper.....	2	G3LS, G80S
019540	...	Tube, for damper.....	2	G3LCS, G80CS
016072	...	Sleeve, plunger, for damper rod.....	2	G3LS, G80S
019539	...	Sleeve, plunger, for damper rod.....	2	G3LCS, G80CS
016339	...	Clip, locating plunger sleeve.....	2	All
016342	...	Rod, for damper.....	2	G3LS, G80S
019537	...	Rod, for damper.....	2	G3LCS, G80CS
016343	...	Collar, for top end of damper rod.....	2	G3LS, G80S
022020	...	Collar, for top end of damper rod.....	2	G3LCS, G80CS
000074	...	Nut, locking collar top-end of damper rod.....	2	All
016304	...	Valve, for damper.....	2	G3LS, G80S
019538	...	Valve, for damper.....	2	G3LCS, G80CS
010721	...	Pin, stop, for damper valve.....	2	All
010719	...	Seat, for damper valve.....	2	All
000005	...	Nut, retaining damper seat to damper rod.....	2	All
019555	...	Buffer spring distance piece.....	2	G3LCS, G80CS
019626	...	Damper valve assembled (Comprising following 6 items).....	2	ditto
019531	...	Damper valve body.....	2	ditto
000072	...	Damper valve ball.....	2	ditto
019535	...	Damper valve pin.....	2	ditto
021280	...	Damper valve spring.....	2	ditto
019534	...	Damper valve plug.....	2	ditto
019532	...	Damper valve relief plunger.....	2	ditto
011126	...	Spring, buffer.....	2	G3LS, G80S
018267	...	Spring, buffer.....	2	G3LCS, G80CS
016297	...	Spring, main (solo).....	2	G3LS, G80S
016061	...	Spring, main (sidecar).....	2	G3LS, G80S
016410	...	Spring, main.....	2	G3LCS, G80CS
016082	...	Washer, leather, at both ends of main spring.....	4	G3LS, G80S, G3LCS, G80CS
016408	...	Tube, outer, covering top end of main spring.....	2	ditto
021255	...	Tube, outer, covering bottom end of main spring.....	2	ditto
021654	...	Collar, retaining bottom outer cover tube.....	2	ditto
021655	...	Circlip, retaining collar.....	2	ditto
016251	...	Buffer, for TELEDRALIC leg.....	2	ditto
018648	...	Bolt, fixing top pivot, 3 1/2 ins. by 3/8 in. by 26.....	2	G3LS, G80S
014521	...	Bolt, fixing top pivot (replaces 018648 when carrier is fitted).....	2	ditto
011273	...	Bolt, fixing top pivot, 2 1/2 ins. by 3/8 in. by 26.....	2	G3LCS, G80CS
000010	...	Washer, plain, for top pivot bolt.....	4	G3LS, G80S, G3LCS, G80CS

TELEDRALIC REAR LEG - continued.

016712	...	Sleeve nut, for top pivot bolt.....	2	G3LS, G80S
000003	...	Nut, for top pivot bolt.....	2	G3LCS, G80CS
016359	...	Bolt, fixing bottom pivot, 2 1/2 ins. by 3/8 in. by 26.....	2	All except G3L, G80
000010	...	Washer, plain, for bottom pivot bolt.....	2	ditto

FORK ASSEMBLIES.

The following fork assemblies are complete and include ball races for the fork crown and top head lug (but not the two frame ball races)

021967	...	Fork, assembly (TELEDRALIC Front Fork, Solo).....	1	G3L, G3LS, G80, G80S
021968	...	Fork, assembly (TELEDRALIC Front Fork, Sidecar).....	1	ditto
021969	...	Fork assembly (TELEDRALIC Front Fork, Solo).....	1	G3LC, G80C
021970	...	Fork assembly (TELEDRALIC Front Fork, Solo).....	1	G3LCS, G80CS

For ease of servicing, the inner tube unit and damper unit are listed and supplied as separate assemblies. This enables a complete assembly to be exchanged in minimum time. The Units are listed below.

021971	...	Front Fork Inner tube assembly, Solo.....	2	G3L, G3LS, G80, G80S
021972	...	Front Fork inner tube assembly, Sidecar.....	2	G80, G80S
021973	...	Front Fork inner tube assembly, Solo.....	2	G3LCS, G80CS, G3LC, G80C

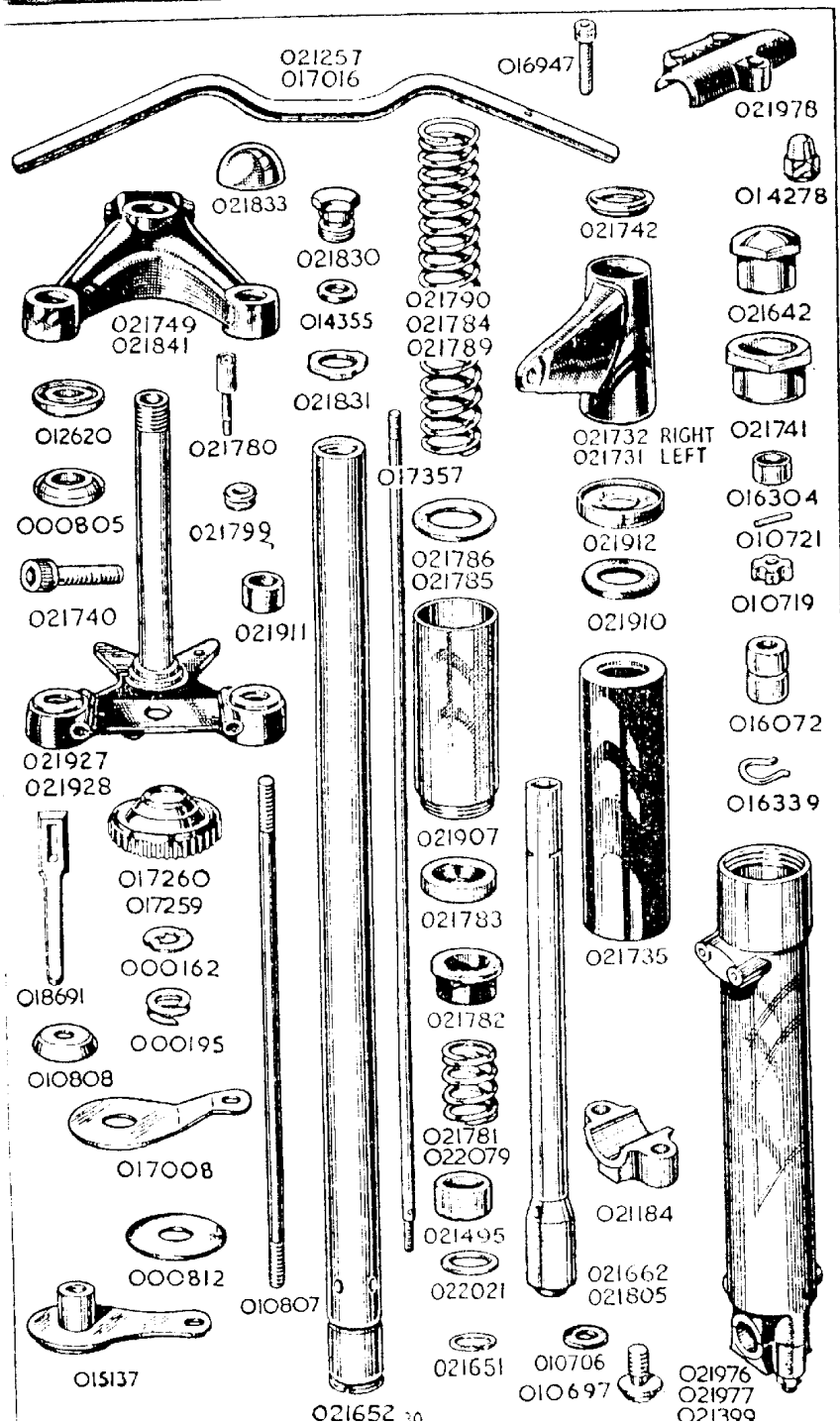
The above assemblies comprise:—Inner tubes with rubber buffers, bushes and circlips, top bolts with washers and sealing rings, slider extensions with oil seals, fork springs and washers.

021974	...	Front fork damper assembly.....	2	G3L, G3LS, G3LC, G80, G80S, G80C
021975	...	Front fork damper assembly.....	2	G3LCS, G80CS

The above assemblies comprise:— Rod and two nuts, damper tube with valve, seat and pin, sleeve and clip and bottom fixing bolt with washer.

FRONT FORK.

021927	...	Crown, assembly, comprising crown, stem and circlip (these parts not sold separately).....	1	G3L, G3LS, G80, G80S
021928	...	Crown, assembly, comprising crown, stem and circlip (these parts not sold separately).....	1	G3LC, G3LCS, G80C, G80CS
000805	...	Race, ball, for fork crown.....	1	All
021740	...	Screw, pinch, for fork crown.....	2	All except G3LC, G3LCS, G80C, G80CS
021749	...	Lug, for handlebar and steering head.....	1	G3L, G3LS, G80, G80S
021841	...	Lug, for handle bar and steering head.....	1	G3LC, G3LCS, G80C, G80CS
012620	...	Race, ball, for handlebar lug.....	1	All
000051	...	Nipple, grease, for handlebar lug.....	1	All
021741	...	Nut, adjusting, for fork crown stem.....	1	All
021642	...	Nut, lock (domed), for fork crown stem.....	1	All
021652	...	Tube, fork, inner.....	2	All
021911	...	Buffer, rubber, for fork inner tube.....	6	All
021495	...	Bush, bottom, for fork inner tube.....	2	All
021651	...	Circlip, for fork inner tube bush.....	2	All
021830	...	Bolt, top, for fork inner tube.....	2	All
021833	...	Cap, fork, inner tube top bolt.....	2	All
014355	...	Ring, sealing, for fork inner tube top bolt.....	2	All
021831	...	Washer, plain, for fork inner tube top bolt.....	2	All
021399	...	Slider, fork, with cap, studs and nuts, left and right.....	2	G3LC, G3LCS, G80C, G80CS
021976	...	Slider, fork, with cap, studs and nuts, right.....	1	G3L, G3LS, G80, G80S



FRONT FORK—continued.

021977	Slider, fork, with cap, studs and nuts, left.....	1	G3L, G3LS, G80, G80S
021184	Cap, for fork slider.....	2	All
010713	Stud, securing fork slider cap, 1 3/4 in. by 1/4 in. by 26 and 22.....	4	All
021780	Fork stop (acts also as pinch bolt).....	2	G3LC, G3LCS, G80C, G80CS
000003	Fork stop nut.....	2	ditto
000193	Fork stop nut spring washer.....	2	ditto
000011	Washer, plain, for fork slider cap stud.....	4	All
000004	Nut, for fork slider cap stud.....	4	All
021907	Extension, for fork slider.....	2	All
021782	Bush, plastic, for fork inner tube.....	2	All
021783	Oil-seal, for fork inner tube (rubber).....	2	All
021784	Spring, main, for front fork, Solo.....	2	G3L, G3LS, G80, G80S
021790	Spring, main, for front fork, Solo.....	2	G3LC, G3LCS, G80C, G80CS
021789	Spring, main, for front fork, Sidecar.....	2	G80, G80S
022079	Spring, buffer, front fork.....	2	All
022021	Collar, for buffer spring.....	2	All
021786	Washer, leather, fork spring seating, bottom.....	2	All
021785	Washer, fork spring seating, top.....	2	All
021732	Tube, fork cover, top, right, with lamp lug.....	1	All
021731	Tube, fork cover, top, left, with lamp lug.....	1	All
021742	Spigot, for top cover tube.....	2	All
021910	Seat (rubber), for cover tube.....	2	All
021912	Housing, for top cover tube.....	2	All
021735	Tube, fork cover, bottom.....	2	All
000485	Screw, plug, oil drain, for fork slider, 1/2 in. by 1/4 in. by 26.....	2	All
000203	Washer, fibre, for fork slider screw oil plug.....	2	All
021662	Tube, fork damper.....	2	G3L, G3LS, G3LC, G80, G80S, G80C
021805	Tube, fork damper.....	2	G3LCS, G80CS
010697	Bolt, fixing fork damper tube to slider, 7/8 in. by 7/8 in. by 26.....	2	All
010706	Washer, fibre, for damper tube bolt.....	2	All
017357	Rod, for fork damper.....	2	All
000004	Nut, lock, top end of damper rod.....	2	All
016072	Sleeve, plunger, for fork damper rod.....	2	All
016339	Clip, retaining damper rod sleeve.....	2	All
016304	Valve, for fork damper.....	2	All
010721	Pin, stop, for fork damper valve.....	2	All
010719	Seat, for fork damper valve.....	2	All
000005	Nut, lock, for fork damper valve seat.....	2	All
018691	Steering locking bar (own padlock to be used).....	1	All

HANDLEBAR.

017016	Handlebar, bare.....	1	G3LCS, G80CS
021257	Handlebar, bare.....	1	All except G3LCS, G80CS
021978	Clip (half only), for handlebar lug.....	1	All
016947	Screw, for handlebar clip, 3/8 in. by 1/4 in. by 26 (socket head).....	3	All

FRONT STAND.

011286	... Stand, front, bare.....	1	G3L, G3LS, G80, G80S
010694	... Bolt, fixing front stand to slider, 1 1/8 in. by 3/8 in. by 22	2	ditto
010724	... Washer, spring, for stand to slider bolt.....	2	ditto
000014	... Pin, split, for stand to slider bolt.....	2	ditto
000342	... Bolt, fixing front stand to front mudguard, 1 1/4 in. by 1/2 in. by 26.....	1	ditto
000012	... Washer, plain, for stand to mudguard bolt.....	2	ditto
000005	... Nut, front stand to mudguard bolt.....	1	ditto
014278	... Nut (domed), front stand to mudguard bolt.....	1	ditto

STEERING DAMPER. (This is an optional extra).

022060	... Damper, steering, complete set of parts.....	1	All
017259	... Knob, control, for steering damper.....	1	All
000162	... Washer, ratchet, for steering damper knob.....	1	All
000195	... Washer, spring, for steering damper knob.....	1	All
010808	... Cap, for top of steering stem.....	1	All
010807	... Drawbolt, for steering damper.....	1	All
015137	... Sleeve, assembly, lower end of drawbolt.....	1	All
000073	... Nut, locking sleeve to drawbolt.....	1	All
000342	... Bolt, fixing sleeve assembly, 1 1/4 in. by 1/2 in. by 26.....	1	All
000191	... Washer, spring, for bolt 000342.....	1	All
000012	... Washer, plain, for bolt 000342.....	1	All
017008	... Plate, anchor, top position.....	1	All
000070	... Bolt, fixing top anchor plate, 3/8 in. by 1/2 in. by 26.....	1	All
000191	... Washer, spring, for bolt 000070.....	1	All
000812	... Washer, friction, for steering damper.....	2	All
021811	... Nut, lock, for fork crown stem (this replaces the domed lock-nut, 021642, when a steering damper is fitted)	1	All

CENTRE STAND.

016340	... Stand, centre, bare.....	1	G3LS, G3LCS, G80S, G80CS
014626	... Bush, for centre stand, 7 in. long.....	2	G3LS, G80S
016435	... Bush, for centre stand, 1 1/2 in. long.....	2	G3LCS, G80CS
014629	... Stud, hinge, for centre stand, 8 1/2 ins. by 7/8 in. by 26.....	1	G3LS, G3LCS, G80S, G80CS
014630	... Spacer, central, for centre stand hinge stud, 4.2 ins. long	1	G3LS, G80S
010924	... Spacer, central, for centre stand hinge stud, 3 1/2 ins. long	1	G3LCS, G80CS
014484	... Spacer, outside right, for centre stand hinge stud, 1.80 in. thick.....	1	G3LCS, G80CS
010912	... Washer, spigot, for centre stand hinge stud.....	2	G3LS, G3LCS, G80S, G80CS
000002	... Nut, for centre stand hinge stud.....	2	ditto
014627	... Spring, return, for centre stand.....	1	ditto
016399	... Spring, stop, for centre stand.....	1	ditto
000080	... Nut, for centre stand stop spring. (The studs, on which these nuts fit, are listed with the "REAR FORK BRIDGE")	2	ditto
000039	... Washer, plain, for centre stand stop spring fixing nuts	2	ditto

PROP STAND.

014715	... Stand, prop, bare.....	1	All
014713	... Bolt, hinge, for prop stand, 2 1/4 ins. by 7/8 in. by 26.....	1	All
014139	... Nut, for prop stand hinge bolt.....	1	All
000049	... Pin, split, for prop stand hinge bolt.....	1	All
021261	... Spring, return, for prop stand.....	1	All

REAR STAND

017107	... Stand, rear, bare.....	1	G3L, G3LC, G80, G80C
010788	... Bolt, fixing stand to fork end, 1 1/2 in. by 1/2 in. by 26...	2	ditto
000008	... Washer, plain, rear stand fixing bolt.....	2	ditto
000071	... Nut, rear stand fixing bolt.....	2	ditto
017131	... Spring, return, rear stand.....	1	ditto

FRONT MUDGUARD.

021716	... Mudguard, front bare.....	1	G3L, G3LS, G80, G80S
013947	... Mudguard, front, bare.....	1	G3LC, G3LCS, G80C, G80CS
010795	... Bolt, fixing mudguard bridge to right fork slider, 1/2 in. by 7/8 in. by 22.....	2	All
000192	... Washer, spring, for bridge right fixing bolt.....	2	All
010624	... Stud, fixing mudguard bridge to left fork slider, also retains brake anchor stay and bracket for brake cable adjuster, 1 1/2 in. by 3/8 in. by 26 and 22.....	2	All
014117	... Washer, lock, for bridge left fixing stud.....	2	All
000004	... Nut, for bridge left fixing stud.....	2	All
013928	... Stay, for front mudguard, forward position.....	1	G3LC, G3LCS, G80C, G80CS
013929	... Stay, for front mudguard, rear position.....	1	ditto
010795	... Bolt, fixing front mudguard stay to fork slider, 1/2 in. by 7/8 in. by 22.....	4	ditto
000192	... Washer, spring, for stay to fork slider bolt.....	4	ditto
012565	... Bolt, fixing stay to front mudguard, 1/2 in. by 2.BA.....	8	ditto
000190	... Washer, spring, for stay to front mudguard bolt.....	8	ditto
000039	... Washer, plain, for stay to front mudguard bolt.....	8	ditto
000080	... Nut, for stay to front mudguard bolt.....	8	ditto

THE PRICES OF SPARES DO NOT INCLUDE THE COST OF CARRIAGE

MAINTENANCE MANUAL 1955 EDITION PRICE 2/6
IS THE APPROPRIATE MANUAL FOR THIS SPARES LIST

BEFORE ORDERING SPARES
PLEASE NOTE THE INFORMATION GIVEN ON PAGES TWO AND THREE

REAR CARRIER.

016418	Carrier, rear, bare.....	1	G3L, G80	...
014874	Carrier, rear, bare.....	1	G3LS, G80S	...
000368	Bolt, fixing 016418 carrier at rear.....	2	G3L, G80	...
000364	Bolt, fixing 016418 carrier, right side, at front.....	1	ditto	
000363	Bolt, fixing 016418 carrier, left side, at front.....	1	ditto	
014521	Bolt, fixing carrier at front (replaces 018648 when carrier is fitted).....	2	G3LS, G80S	...

Existing nuts and washers are used for above bolts.)

REAR MUDGUARD. (G3L & G80).

021979	Mudguard, rear, bare (includes both halves and the two binding bolts).....	1	G3L, G80	...
021755	Mudguard, rear, forward fixed portion only.....	1	ditto	
021032	Mudguard, rear, rear detachable portion only.....	1	ditto	
015117	Bolt, clamping halves of rear mudguard.....	2	ditto	
000346	Bolt, fixing mudguard to frame bridges, 1 1/4 in. by 1/2 in. by 26.....	2	ditto	
000191	Washer, spring, for mudguard bridge bolts.....	2	ditto	
000005	Nut, for mudguard bridge bolts.....	2	ditto	
016883	Arch, tubular, rear mudguard.....	1	ditto	
000270	Stud, in fork end, for tubular arch (also secures lower end of mudguard stay), 1 1/4 in. by 1/2 in. by 26.....	2	ditto	
000074	Nut, locking stud in fork end.....	2	ditto	
000213	Nut (with collar), locking tubular arch and mudguard stay to fork end stud.....	2	ditto	
000368	Bolt, fixing mudguard to tubular arch, 1 1/2 in. by 1/2 in. by 26.....	2	ditto	
016887	Stay, for rear mudguard, left side.....	1	ditto	
016886	Stay, for rear mudguard, right side.....	1	ditto	
000363	Bolt, fixing mudguard to stay, 3/4 in. by 1/2 in. by 26.....	2	ditto	
000192	Washer, spring, for 000368 and 000363 fixing bolts.....	4	ditto	
000004	Nut, for 000368 and 000363 fixing bolts.....	4	ditto	
000342	Bolt, fixing mudguard to oil tank.....	1	ditto	
000172	Washer, plain, mudguard to oil tank bolt.....	2	ditto	
000005	Nut, for mudguard to oil tank bolt.....	1	ditto	

REAR MUDGUARD. (G3LS & G80S).

021981	Rear mudguard (both portions with joint bolts).....	1	G3LS, G80S	...
021708	Rear mudguard, forward portion only.....	1	ditto	
021710	Rear mudguard, rear portion only.....	1	ditto	
021098	Bolt, for mudguard joint.....	3	ditto	
021099	Washer, for mudguard joint bolt.....	3	ditto	
014501	Bracket, for bottom of rear mudguard.....	2	ditto	
000342	Bolt, fixing bracket to rear mudguard, 1 1/4 in. by 1/2 in. by 26.....	2	ditto	
000012	Washer, plain, for bracket fixing bolt.....	4	ditto	
000005	Nut, for bracket fixing bolt.....	2	ditto	
000275	Stud, fixing rear mudguard brackets to frame, 3 1/2 in. by 1/2 in. by 26.....	1	ditto	
000011	Washer, plain, for bracket fixing stud.....	2	ditto	
000004	Nut, for bracket fixing stud.....	2	ditto	
000346	Bolt, fixing rear mudguard to frame loop bridge, 1 1/4 in. by 1/2 in. by 26.....	1	ditto	
000191	Washer, spring, for bridge fixing bolt.....	1	ditto	
000005	Nut, for bridge fixing bolt.....	1	ditto	
000342	Bolt, fixing rear mudguard to oil tank.....	1	ditto	
000191	Washer, spring, for mudguard to oil tank bolt.....	1	ditto	
000172	Washer, plain, for mudguard to oil tank bolt.....	1	ditto	
000005	Nut, for mudguard to oil tank bolt.....	1	ditto	

REAR MUDGUARD. (G3LC & G80CS).

015166	Mudguard, rear, bare.....	1	G3LC, G80C	...
000345	Bolt, fixing mudguard to frame top bridge, 1 1/4 in. by 1/2 in. by 26.....	1	ditto	
000346	Bolt, fixing mudguard to frame bottom bridge, 1 1/4 in. by 1/2 in. by 26.....	1	ditto	
000191	Washer, spring, for mudguard bridge bolts.....	2	ditto	
000005	Nut, for mudguard bridge bolts.....	2	ditto	
000342	Bolt, fixing mudguard to oil tank bracket, 1 1/2 in. by 1/2 in. by 26.....	1	ditto	
000172	Washer, plain, for oil tank bracket bolt.....	1	ditto	
000005	Nut, for oil tank bracket bolt.....	1	ditto	
015168	Stay, for rear mudguard, front position.....	1	ditto	
015170	Stay, for rear mudguard, rear position.....	1	ditto	
000363	Bolt, fixing stays to fork end, 3/4 in. by 1/2 in. by 26.....	2	ditto	
000011	Washer, plain, for stay to fork end bolt.....	2	ditto	
000192	Washer, spring, for stay to fork end bolt.....	2	ditto	
000074	Nut, for stay to fork end bolt.....	2	ditto	
012565	Bolt, fixing mudguard to stay 1/2 in. by 2.BA.....	7	ditto	
000190	Washer, spring, for mudguard to stay bolt.....	7	ditto	
000039	Washer, plain, for mudguard to stay bolt.....	7	ditto	
000080	Nut, for mudguard to stay bolt.....	7	ditto	

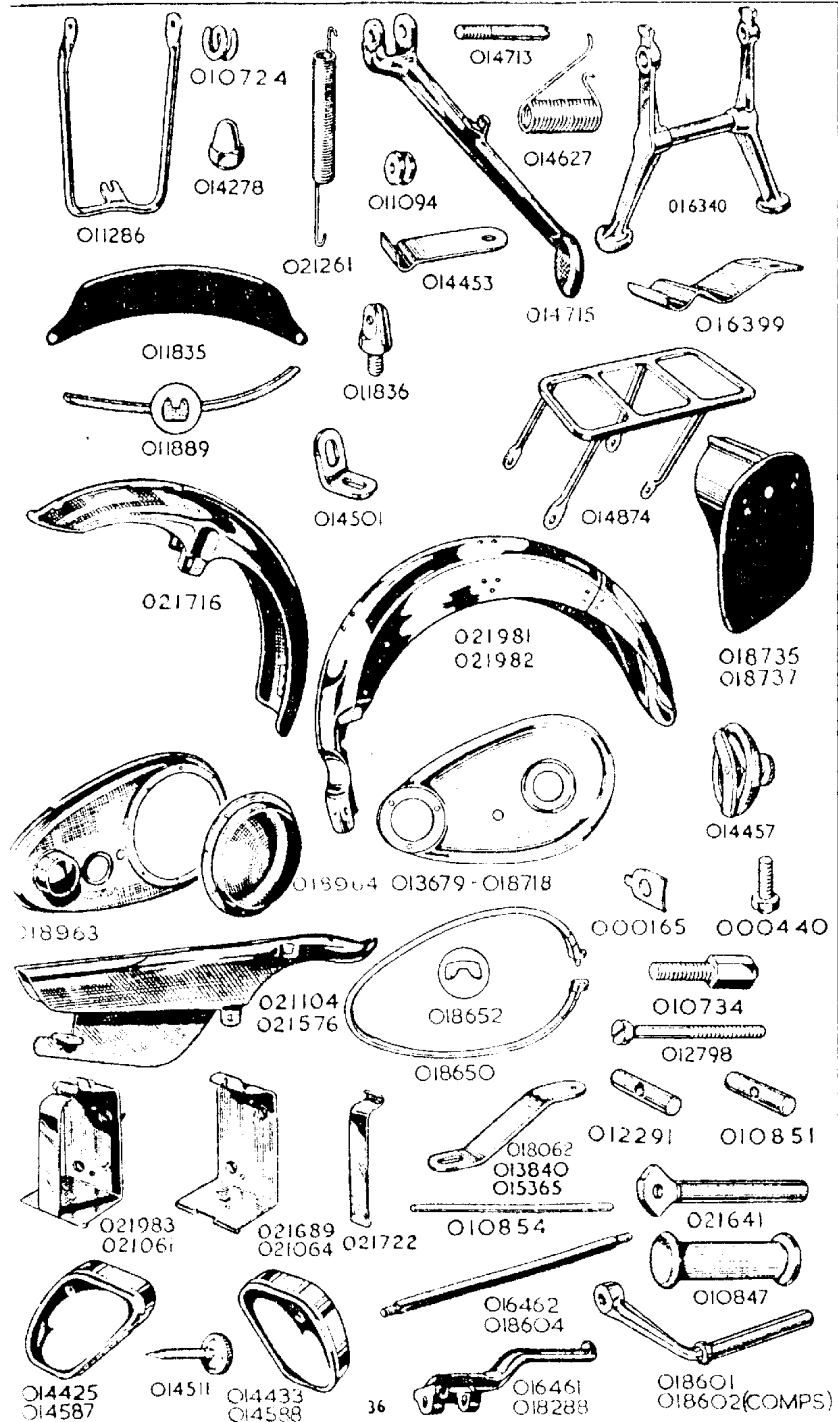
REAR MUDGUARD. (G3LCS & G80CS).

021773	Mudguard, rear, bare.....	1	G3LCS, G80CS	...
016352	Bracket, for bottom of rear mudguard.....	2	ditto	
000342	Bolt, fixing bracket to rear mudguard, 1 1/4 in. by 1/2 in. by 26.....	2	ditto	
000012	Washer, plain, for bracket fixing bolt.....	4	ditto	
000005	Nut, for bracket fixing bolt.....	2	ditto	
000275	Stud, fixing rear mudguard brackets to frame, 3 1/2 in. by 1/2 in. by 26.....	1	ditto	
000011	Washer, plain, for bracket fixing stud.....	2	ditto	
000004	Nut, for bracket fixing stud.....	2	ditto	
000345	Bolt, fixing rear mudguard to frame loop bridge, 1 1/4 in. by 1/2 in. by 26.....	1	ditto	
000191	Washer, spring, for bridge fixing bolt.....	1	ditto	
000005	Nut, for bridge fixing bolt.....	1	ditto	
015324	Tube, supporting rear mudguard.....	1	ditto	
000369	Bolt, fixing support tube at front, 1 1/8 in. by 1/2 in. by 26.....	2	ditto	
000004	Nut, for support tube bolt.....	2	ditto	
012565	Bolt, fixing mudguard to support tube, 1/2 in. by 2.BA.....	6	ditto	
000190	Washer, spring, for mudguard to tube bolt.....	6	ditto	
000039	Washer, plain, for mudguard to tube bolt.....	6	ditto	
000080	Nut, for mudguard to tube bolt.....	6	ditto	

FRONT NUMBER PLATE.

011835	Plate, number, front.....	1	G3L, G3LS, G80, G80S	...
011698	Plate, number, front.....	1	G3LC, G3LCS, G80C, G80CS	...
011836	Stud, fixing front number plate.....	2	All	...
000012	Washer, plain, front number plate stud.....	2	All	...
000005	Nut, front number plate stud.....	2	All	...
000861	Screw, fixing front number plate to stud, 1/2 in. by 2.BA.....	2	All	...
011889	Fillet, rubber, front number plate.....	1	G3L, G3LS, G80, G80S	...

WHEN ORDERING SPARES, IF IN DOUBT REGARDING THE NAMES AND PART NUMBERS OF THE PARTS YOU REQUIRE, PLEASE SEND THE OLD PARTS TO SERVE AS PATTERNS.

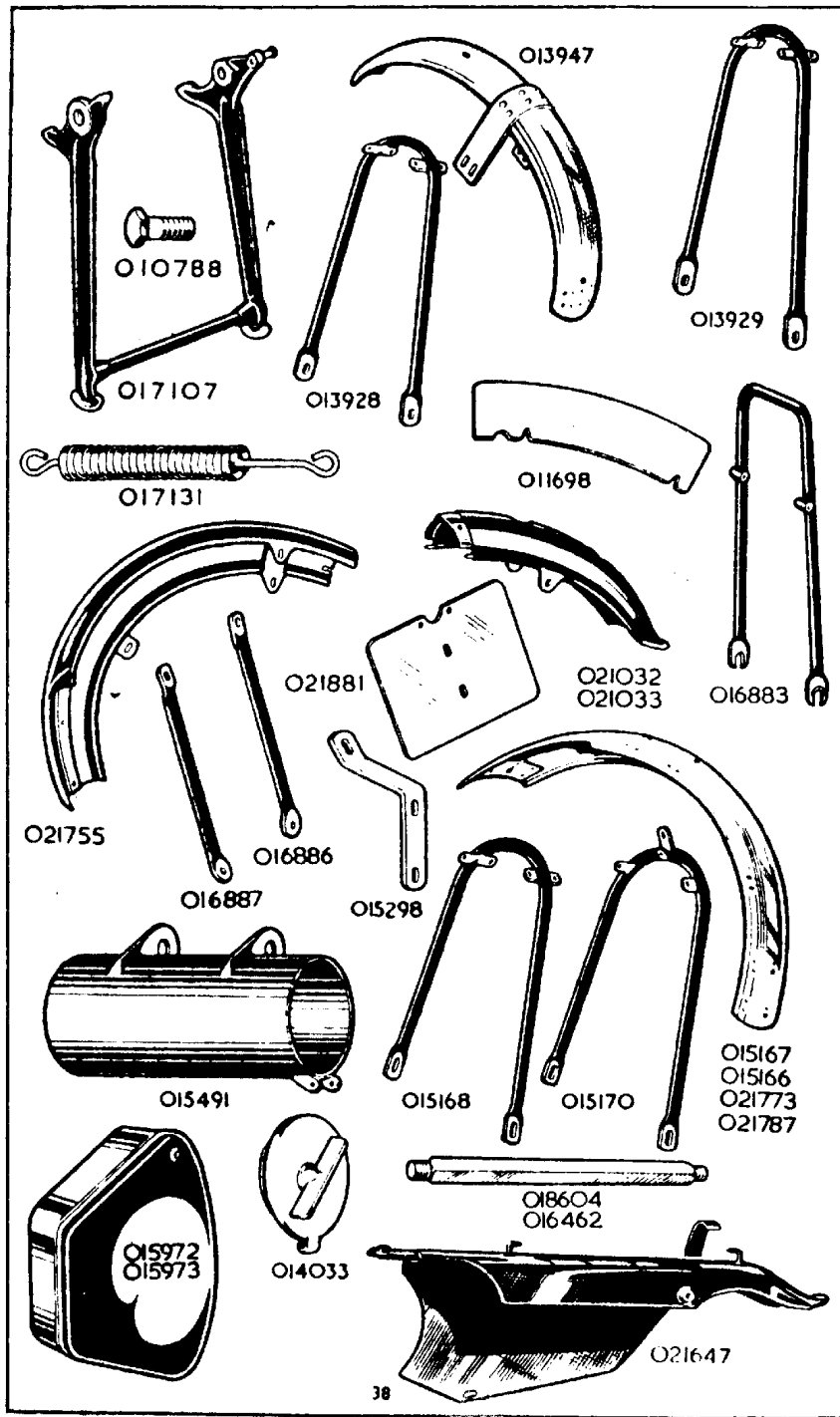


REAR NUMBER PLATE.

018735	...	Plate, number, rear, 8 ins. wide	1	G3L, G80
018737	...	Plate, number, rear, 8 ins. wide	1	G3LS, G80S
021881	...	Plate, number, rear, 8 ins. wide	1	G3LC, G3LCS, G80C, G80CS
021880	...	Rear lamp support	1	G3LC, G3LCS, G80C, G80CS
000738	...	Screw, rear lamp support	2	G3LC, G3LCS, G80C, G80CS
000739	...	Nut, rear lamp support screw	2	G3LC, G3LCS, G80C, G80CS
000364	...	Bolt, fixing rear number plate, $\frac{1}{2}$ in. by $\frac{1}{2}$ in. by 26	2	G3L, G80
000070	...	Bolt, fixing rear number plate, $\frac{1}{2}$ in. by $\frac{1}{2}$ in. by 26	2	G3LC, G3LCS, G80C, G80CS
000363	...	Bolt, fixing rear number plate, $\frac{3}{8}$ in. by $\frac{1}{2}$ in. by 26	2	G3LS, G80S
000192	...	Washer, spring, rear number plate bolt	2	G3L, G3LS, G80, G80S
000012	...	Washer, plain, rear number plate bolt	4	G3LC, G3LCS, G80C, G80CS
000005	...	Nut, rear number plate bolt	2	ditto
015298	...	Bracket, for rear number plate	1	ditto
000363	...	Bolt, fixing number plate bracket, $\frac{3}{8}$ in. by $\frac{1}{2}$ in. by 26	1	ditto
000192	...	Washer, spring, for number plate bracket bolt	1	ditto
000011	...	Washer, plain, for number plate bracket bolt	1	ditto
000004	...	Nut, for number plate bracket bolt	1	ditto

FRONT CHAINCASE.

021374	...	Chaincase, complete. (Comprises both halves, metal and rubber bands, clamping screw and inspection caps --NO FIXING BOLTS, SPACERS, WASHERS, AND NUTS ARE INCLUDED)	1	All except G3LC, G3LCS, G80C, G80CS
021375	...	Chaincase, complete and sliding seal	1	G3LC, G3LCS, G80C, G80CS
013679	...	Chaincase, back half, bare	1	All except G3LC, G3LCS, G80C, G80CS
021036	...	Chaincase, back half, bare	1	G3LC, G3LCS, G80C, G80CS
018963	...	Chaincase, front half, bare	1	All
018650	...	Band, metal, for chaincase	1	All
000453	...	Screw, clamping chaincase metal band, 1 in. by 2.BA.	1	All
018652	...	Band, rubber, for chaincase	1	All
018964	...	Domed clutch cover	1	All
018966	...	Washer, cork, for clutch cap	1	All
000450	...	Screw, $\frac{3}{8}$ in. by 2.BA., round head for clutch cap screw	8	All
014457	...	Cap, assembly, chaincase inspection (components not sold as separate spares)	1	All
000580	...	Washer, cork, chaincase inspection cap	1	All
000440	...	Bolt, fixing chaincase to engine, $\frac{1}{2}$ in. by 0.BA.	3	All
000165	...	Washer, lock, chaincase engine bolt	3	All
000316	...	Stud, fixing centre of chaincase, $7\frac{1}{2}$ ins. by $\frac{1}{2}$ in. by 26 (to be fitted with the longer thread on left side)	1	All
010953	...	Spacer, $1\frac{1}{2}$ in. long, for centre bolt, between chaincase and engine plate	1	All
021230	...	Wide nut, for centre bolt, inside chaincase	1	All
000166	...	Washer, plain for chaincase centre bolt behind case	1	G3LC, G80C
000009	...	Washer, plain, for chaincase centre bolt	2	G3LC, G80C
000009	...	Washer, plain for chaincase centre bolt	3	G3L, G3LS, G80, G80S
000002	...	Nut, for chaincase centre bolt	3	All
021038	...	Chaincase sliding seal	1	G3LC, G3LCS, G80C, G80CS



REAR CHAINGUARD.

021104	...	Chainguard, rear, bare	1	G3L-G80
021576	...	Chainguard, rear, bare	1	G3LS, G3LCS, G80S, G80CS
021647	...	Chainguard, rear, bare	1	G3LC, G80C
017094	...	Bolt, fixing top of chainguard in front	1	G3L, G3LC, G80, G80C
000350	...	Bolt, fixing chainguard in front, 2 1/8 ins. by 1/4 in. by 26	1	G3LS, G3LCS, G80S, G80CS
000070	...	Bolt, fixing bottom of chainguard, in front, 3/8 in. by 1/4 in. by 26	1	G3L, G3LC, G80, G80C
000012	...	Washer, plain, chainguard, front fixing bolt	2	ditto
000012	...	Washer, plain, chainguard, front fixing bolt	2	G3LS, G3LCS, G80S, G80CS
000005	...	Nut, for chainguard front fixing bolt	1	All
000362	...	Bolt, fixing rear of chainguard 1/2 in. by 3/8 in. by 26	1	G3L, G3LC, G80, G80C
000349	...	Bolt, fixing rear of chainguard 1 1/2 ins. by 1/4 in. by 26	1	G3LS, G3LCS, G80S, G80CS
000011	...	Washer, plain, for chainguard rear fixing bolt	1	All
021579	...	Washer, spring, for chainguard rear fixing bolt	1	G3LS, G3LCS, G80S, G80CS
021578	...	Spacer, (located inside chainguard), on bolt 000349	1	ditto

BATTERY CARRIER.

021983	...	Carrier, battery, complete	1	G3L, G80, G3LS, G3LCS, G80S, G80CS
021061	...	Carrier, battery, complete	1	G3LC, G80C
The above complete carriers include the binding bolt with its seat and nut.				
021689	...	Carriers, battery, back portion only	1	G3L, G80, G3LS, G3LCS, G80S, G80CS
021064	...	Carrier, battery, back portion only	1	G3LC, G80C
021722	...	Carrier, battery, front portion only	1	All except G3LC, G80C
012581	...	Carrier, battery, front portion only	1	G3LC, G80C
010854	...	Pin, hinge, battery carrier front	1	All
012798	...	Bolt, clamping battery carrier, 1 1/2 in. by 1/4 in. by 26	1	All
012291	...	Seat, battery carrier clamping bolt	1	All
010851	...	Nut, battery carrier clamping bolt	1	All
000004	...	Nut, fixing battery carrier to oil tank stud	2	All
000174	...	Washer, plain, for battery carrier and oil tank fixing nut	2	All
013840	...	Stay, battery carrier to chaincase	1	G3LS, G3LCS, G80S, G80CS
018062	...	Stay, battery carrier to chaincase	1	G3L, G80
015365	...	Stay, battery carrier to chaincase	1	G3LC, G80C
000040	...	Screw, fixing stay to battery carrier, 1/2 in. by 1. BA.	1	All
000012	...	Washer, plain, for 000040 bracket screw	1	All
010734	...	Bolt, fixing battery carrier bracket to chaincase, 3 1/2 in. by 1/4 in. by 26	1	G3LS, G3LCS, G80S, G80CS
000011	...	Washer, plain, for 010734 carrier bracket bolt	2	ditto
000004	...	Nut, for 010734 carrier bracket bolt	1	ditto

FOOTRESTS.

018601	...	Arm, for footrest.....	2	G3L, G3LS, G80, G80S
018602	...	Arm, for footrest.....	2	G3LC, G80C
018288	...	Arm, for footrest, right side.....	1	G3LCS, G80CS
016461	...	Arm, for footrest, left side.....	1	ditto
010847	...	Pad, rubber, for footrest arm.....	2	G3L, G3LS, G80, G80S
018604	...	Rod, for footrests, overall length 10 $\frac{1}{2}$ ins.....	1	G3L, G3LS, G3LC, G80, G80S, G80C
014380	...	Rod, for footrests, overall length 9 ins.....	1	G3LC, G80C
016462	...	Rod, for footrests, overall length 10 $\frac{3}{8}$ ins.....	1	G3LCS, G80CS
010924	...	Spacer, 3 $\frac{1}{2}$ ins. long, for footrest rod, between engine rear plates.....	1	All
016169	...	Spacer, 3 $\frac{1}{4}$ ins. long, between engine plates.....	1	G3LC, G80C
013837	...	Spacer, 1 in. long, for footrest rod, outside right plate.....	1	G3L, G3LS, G3LC, G80, G80S, G80C
010911	...	Spacer, $\frac{1}{4}$ in. long, for footrest rod, outside left plate.....	1	G3L, G3LS, G3LC, G80, G80S, G80C
010911	...	Spacer, $\frac{1}{2}$ in. long, for footrest rod, additional.....	2	G3LC, G80C
000009	...	Washer, plain, for footrest rod.....	2	G3L, G3LS, G3LC, G80, G80S, G80C
000009	...	Washer, plain, for secondary footrest rod.....	2	G3LC, G80C
010912	...	Washer, plain, for footrest rod.....	2	G3LCS, G80CS
000002	...	Nut, for footrest rod.....	2	All
000002	...	Nut, for secondary footrest rod.....	2	G3LC, G80C

PILLION FOOTRESTS. (This is optional equipment).

021984	...	Pair of pillion footrests, complete.....	1	G3LS, G80S
011267	...	Pair of pillion footrests, complete.....	1	G3L, G80
021641	...	Spindle, bare, for pillion footrest.....	2	G3LS, G80S
011518	...	Spindle, bare, for pillion footrest.....	2	G3L, G80
011599	...	Bolt, hinge, for pillion footrest spindle, 1 $\frac{1}{8}$ in. by $\frac{3}{8}$ in. by 26.....	2	All
000073	...	Nut, for pillion footrest hinge bolt.....	2	All
010847	...	Pad, rubber, for pillion footrest spindle.....	2	All

SADDLE.

013784	...	Saddle, complete, with rear springs.....	1	G3L, G80
021376	...	Saddle, complete, with rear springs.....	1	G3LC, G80C
013873	...	Saddle, less springs.....	1	G3L, G80
018998	...	Saddle, less springs.....	1	G3LC, G80C
021649	...	Saddle, spring.....	2	G3L, G80
014151	...	Saddle, spring.....	2	G3LC, G80C
017523	...	Cover (or top), for saddle.....	1	G3L, G80
012880	...	Stud, for lower end of spring, 2 $\frac{1}{2}$ ins. long.....	2	G3L, G80
021349	...	Stud, for lower end of spring, 3 ins. long.....	2	G3LC, G80C
000073	...	Nut, for spring stud.....	6	G3L, G3LC, G80, G80C
000410	...	Bolt, for saddle front hinge.....	1	G3L, G80
000376	...	Bolt, for saddle front hinge.....	1	G3LC, G80C
000003	...	Nut, for hinge bolt.....	1	G3L, G80
000004	...	Nut, for hinge bolt.....	1	G3LC, G80C
000011	...	Washer, for hinge bolt.....	1	ditto
021214	...	Saddle, support channel.....	1	ditto

SADDLE—continued.

021217	...	Saddle, support spacer.....	1	G3LC, G80C
000372	...	Saddle, support frame bolt.....	2	ditto
000004	...	Saddle, support frame bolt nut.....	2	ditto
000011	...	Saddle, support frame bolt washer.....	2	ditto
021198	...	Twin seat.....	1	G3LS, G80S
021764	...	Twin seat.....	1	G3LCS, G80CS
021219	...	Twin seat, grommet for base.....	2	All
021208	...	Bolt, fixing seat at rear.....	2	G3LS, G80S
000342	...	Bolt, fixing seat at rear.....	2	G3LCS, G80CS
000012	...	Washer, for seat fixing bolt.....	2	G3LS, G80S
000172	...	Washer, for seat fixing bolt.....	2	G3LCS, G80CS
018160	...	Nut, for above.....	2	G3LS, G80S

PILLION SEAT. (Mudguard Fitting) (This is optional equipment).

011291	...	Seat, pillion, with fixing bolts, washers and nuts.....	1	G3L, G80
000070	...	Bolt, fixing pillion seat, $\frac{1}{8}$ in. by $\frac{1}{4}$ in. by 26.....	4	ditto
000191	...	Washer, spring, for pillion seat bolt.....	4	ditto
000012	...	Washer, plain, for pillion seat bolt.....	4	ditto
000005	...	Nut, for pillion seat bolt.....	4	ditto

TOOL BOXES.

015972	...	Box, tool, bare (with lid but no other fitting).....	1	G3L, G80
014587	...	Box, tool, bare (with lid but no other fittings), left side.....	1	G3LS, G80S
014588	...	Box, tool, bare (with lid but no other fittings), right side.....	1	G3LS, G3LCS, G80S, G80CS
015491	...	Box, tool, bare (does not include lid).....	1	G3LC, G80C
014033	...	Lid, for bare, tool box.....	1	ditto
013936	...	Pin, split, for tool box lid.....	1	ditto
014511	...	Screw, knurled, for tool box lid.....	1	G3LCS, G80CS
014511	...	Screw, knurled, for tool box lid.....	2	G3LS, G80S
014511	...	Screw, knurled, for tool box lid.....	1	G3L, G80
000189	...	Washer, spring, for tool box lid screw.....	1	G3L, G3LCS, G80, G80CS
000189	...	Washer, spring, for tool box lid screw.....	2	G3LS, G80S
000005	...	Nut, for tool box lid screw.....	2	G3L, G3LCS, G80, G80CS
000005	...	Nut, for tool box lid screw.....	4	G3LS, G80S
016367	...	Plate, tool box fixing.....	1	G3LCS, G80CS
000070	...	Bolt, fixing tool box plate.....	2	ditto
000012	...	Washer, plain, plate fixing bolt.....	4	ditto
000005	...	Nut, plate fixing bolt.....	2	ditto
000342	...	Bolt, long, fixing tool box, $\frac{1}{8}$ in. by $\frac{1}{4}$ in. by 26.....	4	G3LS, G80S
000345	...	Bolt, long, fixing tool box, $\frac{1}{8}$ in. by $\frac{1}{4}$ in. by 26.....	1	G3LCS, G80CS
000070	...	Bolt, short, fixing tool box, $\frac{9}{16}$ in. by $\frac{1}{4}$ in. by 26.....	2	G3LCS, G80CS
014577	...	Bolt, short, fixing tool box, $\frac{7}{16}$ in. by $\frac{1}{4}$ in. by 26.....	2	G3LS, G80S
000639	...	Spacer, $\frac{1}{16}$ in. thick, for tool box long fixing bolts.....	4	G3LS, G80S
016948	...	Spacer, $\frac{1}{8}$ in. thick, for tool box fixing bolt.....	1	G3LCS, G80S
000012	...	Washer, plain, for tool box fixing bolt.....	12	G3LS, G80S
000012	...	Washer, plain, for tool box fixing bolts.....	6	G3LCS, G80CS
000005	...	Nut, for tool box fixing bolts.....	6	G3LS, G80S
000005	...	Nut, for tool box fixing bolts.....	3	G3LCS, G80CS
000342	...	Bolt, fixing tool box at bottom, $\frac{1}{4}$ in. by $\frac{1}{2}$ in. by 26.....	2	G3L, G80
000639	...	Spacer, $\frac{1}{16}$ in. thick, for tool box bottom fixing bolts.....	2	ditto
000012	...	Washer, plain, tool box bottom fixing bolts.....	4	ditto
000005	...	Nut, for tool box bottom fixing bolts.....	2	ditto
000361	...	Bolt, fixing tool box at top, $\frac{1}{8}$ in. by $\frac{1}{8}$ in. by 26.....	1	ditto
000011	...	Washer, plain, for tool box, top fixing bolt.....	1	ditto
000004	...	Nut, for tool box top fixing bolt.....	1	ditto

TRANSFERS.

009198	Transfer, for side of oil tank (top level indicator)	1	All
009183	Transfer, for side of oil tank (low level indicator)	1	All
009184	Transfer, for top of oil tank (service instruction)	1	All
009186	Transfer, for front chaincase (oil level indicator)	1	All
009187	Transfer, for front chaincase (patent)	1	All
009188	Transfer, for tool box (monogram)	1	G3L, G80, G3LCS, G80CS
009188	Transfer for tool box (monogram)	2	G3LS, G80S
009189	Transfer, for rear mudguard ("MATCHLESS")	1	All
009199	Transfer, for front forks (patent)	1	All
009195	Transfer, for petrol tank (reserve)	1	All
009200	Transfer, for forks ("Made in England")	1	All
009197	Transfer, for rear fork hinge (patent)	1	G3LS, G80S, G3LCS, G80CS
018499	Complete set of transfers	1	G3L, G80
018500	Complete set of transfers	1	G3LS, G80S
018501	Complete set of transfers	1	G3LC, G80C
018502	Complete set of transfers	1	G3LCS, G80CS

CONTROL LEVER AND CABLE SECTION.

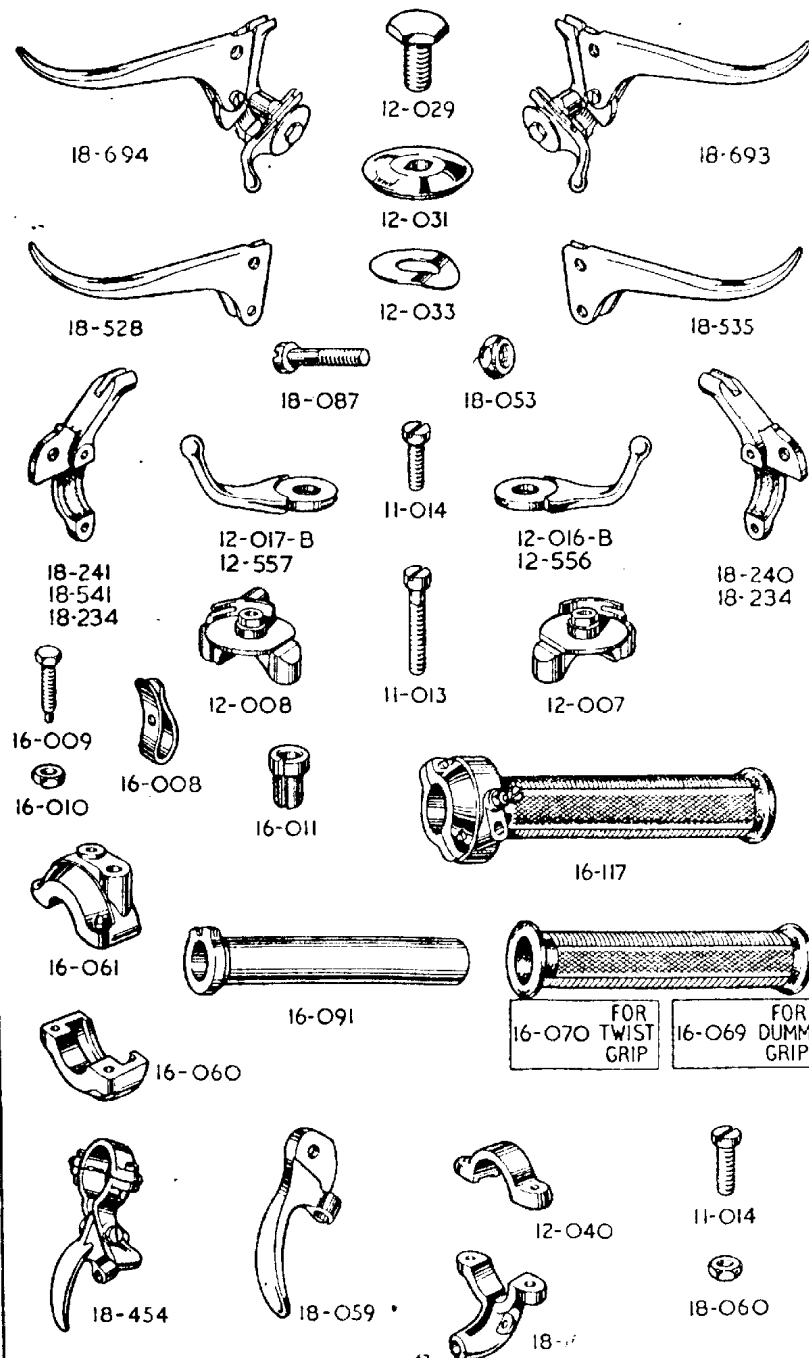
PART NUMBER.	DESCRIPTION.	QTY.	USED ON.
--------------	--------------	------	----------

TWIST GRIP.

16-117	Twist grip, complete assembly	1	All
16-070	Grip, rubber, for twist grip	1	All
16-091	Rotor, and sleeve, for twist grip (does not include rubber grip)	1	All
16-060	Body, twist grip, top (plain clip)	1	All
16-061	Body, twist grip, bottom (for friction spring)	1	All
11-013	Screw, long, clamping twist grip body	1	All
11-014	Screw, short, clamping twist grip body	1	All
16-008	Spring, friction, for twist grip	1	All
16-009	Screw, for twist grip friction spring	1	All
16-010	Nut, for twist grip friction spring screw	1	All
16-011	Stop, for twist grip (throttle) cable	1	All

DUMMY GRIP.

16-069	Grip, rubber, dummy	1	All
--------	---------------------	---	-----



BRAKE AND AIR CONTROL LEVERS.

18-693	... Lever, assembly, brake and air.....	1	G3L, G3LS, G80, G80S
18-535	... Lever, only, brake.....	1	ditto
12-556	... Lever, only, air.....	1	ditto
18-240	... Bracket, for brake lever.....	1	ditto
12-007	... Bracket, for air lever.....	1	ditto
11-013	... Screw, long, clamping brake and air brackets.....	1	ditto
11-014	... Screw, short, clamping brake and air brackets.....	1	ditto
18-087	... Pin, fulcrum, for brake lever.....	1	ditto
18-053	... Nut, brake lever fulcrum pin.....	1	ditto
12-029	... Bolt, central, for air lever.....	1	ditto
12-031	... Cap, for air lever.....	1	ditto
12-033	... Washer, spring, for air lever.....	1	ditto

CLUTCH CONTROL LEVER.

18-709	... Lever, assembly clutch	1	G3L, G3LS, G80, G80S
18-696	... Lever, assembly clutch	1	G3LC, G3LCS, G80C, G80CS
18-528	... Lever, only clutch	1	All
18-541	... Bracket, clutch lever	1	G3L, G3LS, G80, G80S
18-234	... Bracket, clutch lever	1	G3LC, G3LCS, G80C, G80CS
12-040	... Clamp, clutch lever bracket	1	All
11-014	... Screw, clutch lever bracket clamp	2	All
18-087	... Pin, fulcrum, clutch lever	1	All
18-053	... Nut, clutch lever fulcrum pin	1	All
70-016	... Washer, lock clutch lever fulcrum pin nut	1	All

FRONT BRAKE CONTROL LEVER.

18-695	... Lever, assembly, brake.....	1	G3LC, G3LCS G80C, G80CS
18-535	... Lever, only, brake.....	1	ditto
18-234	... Bracket, brake lever.....	1	ditto
12-040	... Clamp, brake lever bracket.....	1	ditto
11-014	... Screw, brake lever bracket clamp.....	2	ditto
18-087	... Pin, fulcrum brake lever.....	1	ditto
18-053	... Nut, brake lever fulcrum pin.....	1	ditto
70-016	... Washer, lock, brake lever fulcrum pin nut.....	1	ditto

AIR CONTROL LEVER.

12-161	... Lever, assembly, air.....	1	G3LC, G80C, G3LCS, G80CS
12-016-B	... Lever, only, air.....	1	ditto
12-007	... Bracket, air control lever.....	1	ditto

THE MAINTENANCE MANUAL AND INSTRUCTION BOOK
HAS NINETY-TWO PAGES AND THIRTY-EIGHT ILLUSTRATIONS

IGNITION CONTROL LEVER.

12-171	... Lever, assembly, ignition.....	1	G3LC, G80C, G3LCS, G80CS
12-017-B	... Lever, only, ignition.....	1	ditto
12-008	... Bracket, ignition control lever.....	1	ditto

FITTINGS FOR AIR AND IGNITION CONTROL LEVERS.

12-040	... Clamp, air, or ignition lever bracket.....	2	G3LC, G80C, G3LCS, G80CS
11-014	... Screw, air or ignition lever bracket clamp	4	ditto
12-029	... Bolt, central, air or ignition lever.....	2	ditto
12-031	... Cap, air or ignition lever.....	2	ditto
12-033	... Washer, spring, air or ignition lever.....	2	ditto

EXHAUST LIFTER CONTROL LEVER.

18-454	... Lever, assembly, exhaust lifter.....	1	All
18-059	... Lever, only, exhaust lifter.....	1	All
18-161	... Bracket, exhaust lifter lever.....	1	All
12-040	... Clamp, exhaust lifter lever bracket.....	1	All
11-014	... Screw, exhaust lifter lever bracket clamp.....	2	All
11-014	... Pin, fulcrum, exhaust lifter lever.....	1	All
18-060	... Nut, exhaust lifter lever fulcrum pin.....	1	All

FRONT BRAKE CABLE.

013178	... Cable, complete, assembled, front brake.....	1	All
000530-40 $\frac{1}{2}$... Wire, inner, front brake, 40 $\frac{1}{2}$ ins. finished length.....	1	All
18-689	... Nipple, brake end, for brake inner wire.....	1	All
18-689	... Nipple, handlebar end, for brake inner wire.....	1	All
18-690	... Nipple, roller adaptor, handlebar end, for inner wire.....	1	All
000529-26	... Casing, outer, front brake, 26 ins. long.....	1	All
000531	... Ferrule, front brake outer casing.....	2	All
011348	... Adjuster, front brake cable.....	1	All
017217	... Nut, lock, front brake cable adjuster.....	1	All
017049	... End, yoke, front brake cable.....	1	All
000736	... Pin, for yoke end, front brake cable.....	1	All
000014	... Pin, split, for front brake cable yoke end pin.....	1	All
012478	... Sleeve, rubber, for front brake cable inner wire.....	1	All

CLUTCH CABLE.

021405	... Cable, complete, assembled, clutch, with oil nipple	1	All
000530-43 $\frac{1}{2}$... Wire, inner, clutch, 43 $\frac{1}{2}$ ins. finished length.....	1	All
017241	... Nipple, gearbox end, clutch inner wire.....	1	All
18-689	... Nipple, handlebar end, clutch inner wire.....	1	All
18-690	... Nipple, roller adaptor, handlebar end, for inner wire	1	All
021406	... Casing, outer, clutch, with adaptor for oil nipple	1	All
000531	... Ferrule, clutch outer casing.....	2	All
014225	... Adjuster, clutch cable.....	1	All
011373	... Nut, lock, clutch cable adjuster.....	1	All
018155	... Cleat, for clutch cable	1	All
000051	... Oil nipple.....	1	All

VALVE LIFTER CABLE.

014060	Cable, complete, assembled, exhaust lifter.	1	All	...
000530-26	Wire, inner, exhaust lifter, 26 ins. finished length.	1	All	...
014061	Nipple, engine end, exhaust lifter inner wire	1	All	...
017240	Nipple, handlebar end, exhaust lifter inner wire	1	All	...
000529-21	Casing, outer, exhaust lifter, 21 ins. long.	1	All	...
000531	Ferrule, exhaust lifter outer casing, handlebar end.	1	All	...
013998	Ferrule, exhaust lifter outer casing, engine end.	1	All	...
014225	Adjuster, exhaust lifter cable.	1	All	...
011373	Nut, lock, exhaust lifter cable adjuster.	1	All	...

IGNITION CONTROL CABLE.

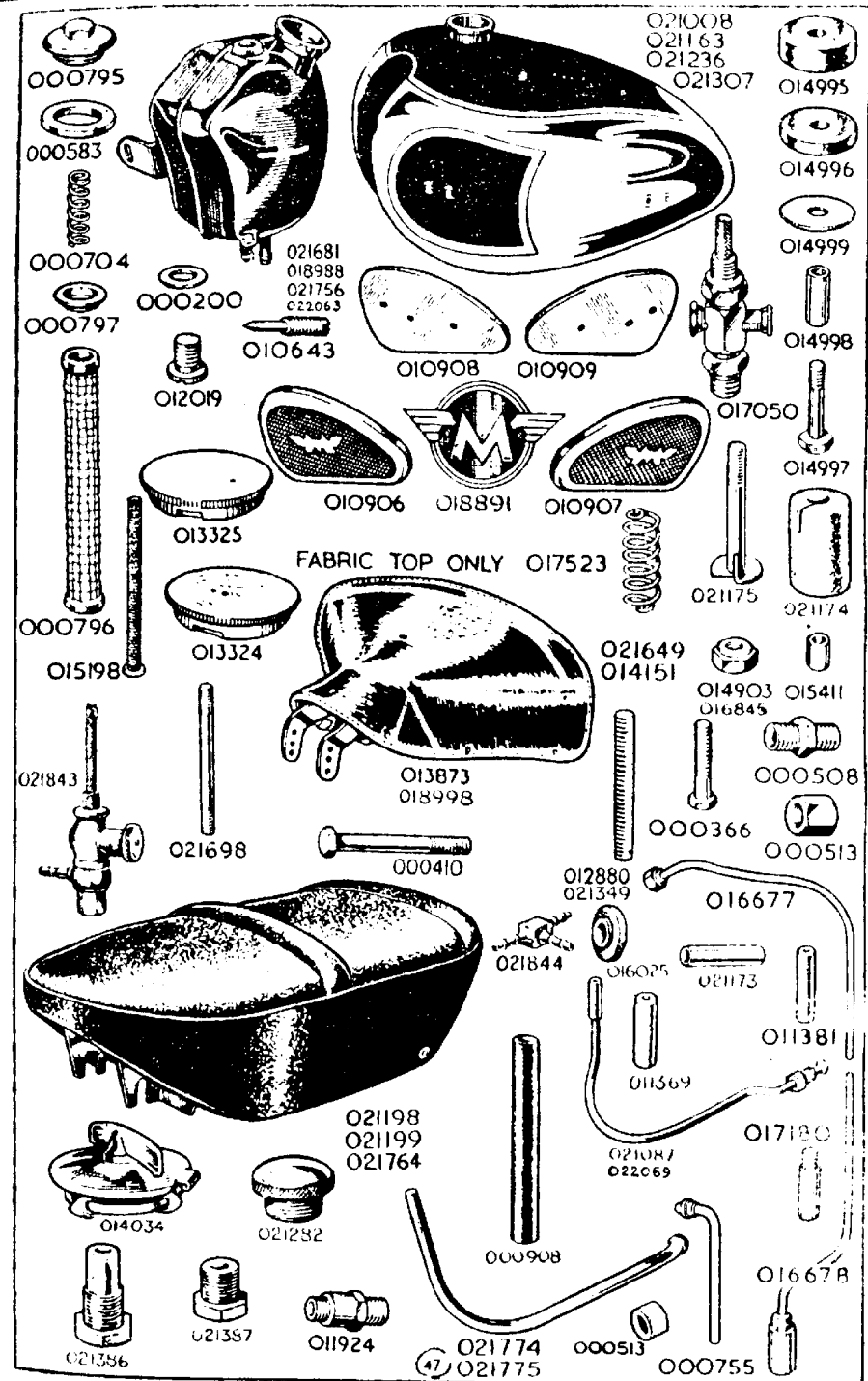
022132	Cable, complete assembled ignition	1	G3LC, G3LCS, G80C, G80CS
000527-29½	Wire, inner, ignition 29½ ins., finished length	1	ditto
017266	Nipple, handlebar end, ignition inner wire	1	ditto
000526-26	Casing, outer, ignition, 26 ins. finished length	1	ditto
000528	Ferrule, ignition, outer casing	2	ditto
022133	Set of control cable parts (Lucas 457117)	1	ditto

THROTTLE CONTROL CABLE.

022019	Cable, complete, assembled, throttle	1	G3L, G3LS, G3LC
022134	Cable, complete, assembled, throttle.	1	G80, G80S, G80C
018997	Cable, complete, assembled, throttle	1	G3LCS, G80CS
000535-40½	Wire, inner, throttle, 40½ ins. finished length	1	G3L, G3LS, G3LC
000535-40¾	Wire, inner, throttle, 40¾ ins. finished length	1	G80, G80S, G80C, G3LCS, G80CS
017242	Nipple, carburettor end, throttle inner wire	1	G3L, G3LS, G3LC, G80, G80S, G80C
018996	Nipple, carburettor end, throttle inner wire	1	G3LCS, G80CS
017266	Nipple, handlebar end, throttle inner wire	1	All
021408	Casing, outer, throttle, with oil nipple adaptor	1	All
000528	Ferrule, throttle outer casing	2	All
000051	Nipple, oil, for casing.	1	All

AIR CONTROL CABLE.

022022	Cable, complete, assembled, air	1	G3L, G3LS, G3LC
022023	Cable, complete, assembled, air	1	G80, G80S, G80C
021003	Cable, complete, assembled, air	1	G3LCS, G80CS
000527-37½	Wire, inner, air, 37½ ins. finished length	1	G3L, G3LS, G3LC
000527-38¾	Wire, inner, air, 38¾ ins. finished length	1	G80, G80S, G80C, G3LCS, G80CS
017242	Nipple, carburettor end, air, inner wire	1	G3L, G3LS, G3LC, G80, G80S, G80C
018996	Nipple, carburettor end, air, inner wire	1	G3LCS, G80CS
017266	Nipple, handlebar end, air, inner wire	1	All
000526-32½	Casing, outer air, 32½ ins. finished length	1	All
000528	Ferrule, air, outer casing	2	All



TANK SECTION.**PETROL TANK.**

021163	...	Tank, petrol, bare, chrome and panelled	1	G3L, G3LS ... G80, G80S ...
021307	...	Tank, petrol, bare, enamelled and lined	1	G3L, G3LS ... G80, G80S ...
021008	...	Tank, petrol, bare, enamelled and lined	1	G3LC, G80C ...
021236	...	Tank, petrol, bare, enamelled and lined	1	G3LCS, G80CS ...
018891	...	Tank, motif, for enamelled or plated tank	2	G3L, G3LS, G80, G80S ...
018896	...	Tank, motif, seating (rubber)	2	G3L, G3LS, G80, G80S ...
000153	...	Tank, motif, screw	4	All except C and CS ...
014997	...	Bolt, fixing tank, all positions	4	ditto
014999	...	Washer, for tank fixing bolt	4	ditto
014995	...	Pad, rubber, thick	4	ditto
014996	...	Pad, rubber, thin	4	ditto
014998	...	Sleeve, metal, for tank fixing bolt	4	ditto
015411	...	Sleeve, metal, for tank fixing bolt	2	G3LCS, G80CS
017051	...	Wire, copper, 5 ft. by 20 S.W.G.	1	All except C and CS ...
021175	...	Bolt, tank, fixing front	2	G3LC, G3LCS, G80C, G80CS
000273	...	Bolt, tank, fixing rear	1	G3LC, G80C ...
000365	...	Bolt, tank, fixing rear	2	G3LCS, G80CS
021174	...	Rubber, tank, front fixing	2	All C and CS ...
014903	...	Nut, tank, rear fixing	2	G3LC, G80C
016025	...	Rubber, tank, rear fixing	2	ditto
021173	...	Spacer, tank, rear fixing	1	ditto
000174	...	Washer, tank, rear fixing	2	All C and CS ...
016845	...	Nut, tank, front fixing bolt	2	ditto
000010	...	Washer, tank, front fixing bolt	2	ditto

PETROL TANK FITTINGS.

014034	...	Cap, filler	1	G3LC, G3LCS, G80C, G80CS
013325	...	Cap, filler	1	G3L, G3LS, G80, G80S ...
013936	...	Pin, split, for filler cap	1	G3LC, G3LCS, G80C, G80CS
017050	...	Tap, for petrol feed with filter	2	G3LCS, G80CS
021843	...	Tap, for petrol feed with filter and banjo	2	G3L, G3LC, G3LS, G80, G80C, G80S ...
000200	...	Washer, fibre for petrol taps	2	All ...
022110	...	Banjo, for petrol feed pipe	2	G3L, G3LS, G3LC, G80, G80S, G80C ...
022111	...	Nut, dome, retaining banjo	2	ditto ...
022056	...	Washers, fibre for banjo	4	ditto
022112	...	Cork, for petrol feed tap	2	ditto
010906	...	Grip, knee, left hand side	1	G3L, G3LS, G80, G80S ...
010907	...	Grip, knee, right hand side	1	ditto
010908	...	Plate, for left hand grip	1	ditto
010909	...	Plate, for right hand grip	1	ditto
000348	...	Bolt, for knee grip plate	4	ditto
021386	...	Petrol tap adaptor, long	1	G3LC, G3LCS, G80C, G80CS
021387	...	Petrol tap adaptor, short	1	ditto
000183	...	Washer, petrol tap adaptors	2	ditto

OIL TANK.

022063	...	Tank, oil, bare	1	G3L, G80 ...
021681	...	Tank, oil, bare	1	G3LS, G80S ...
018988	...	Tank, oil, bare	1	G3LC, G80C ...
021756	...	Tank, oil, bare	1	G3LCS, G80CS
013324	...	Cap, filler, oil tank	1	G3L, G3LS, G80, G80S ...
021282	...	Cap, filler, oil tank	1	G3LC, G3LCS, G80C, G80CS
021698	...	Stud, oil tank fixing	2	G3L, G3LS, G80, G80S, G3LCS, G80CS
021329	...	Washer, filler cap	1	G3LC, G3LCS, G80C, G80CS
012019	...	Plug, drain, for oil tank	1	All ...
000200	...	Washer, fibre, oil tank drain plug	1	All ...
000796	...	Filter, felt, for oil tank	1	All ...
000704	...	Spring, for oil tank felt filter	1	All ...
000797	...	Cap, metal, dishd, for oil tank felt filter	1	All ...
000795	...	Cap, screwed, oil tank filter compartment	1	All ...
000583	...	Washer, cork, filter compartment cap	1	All ...

PETROL PIPE.

000908-2	...	Flexible tubing, short, 2 ins.	1	G3L, G3LS, G3LC, G80, G80S, G80C ...
000908-5½	...	Flexible tubing, long, 5½ ins.	2	G3L, G3LS, G3LC, G80, G80S, G80C ...
013829	...	Flexible pipe	2	G3LCS, G80CS
021844	...	Petrol pipe "T" piece	1	G3L, G3LS, G3LC, G80, G80S, G80C ...

OIL PIPES.

021774	...	Pipe, oil feed	1	G3L, G80 ...
021775	...	Pipe, oil feed	1	G3LS, G80S, G3LCS, G80CS
021283	...	Pipe, oil feed	1	G3LC, G80C ...
011369	...	Connection, rubber, for oil feed pipe	1	All ...
011924	...	Union, oil feed pipe (engine end)	1	All ...
011925	...	Nut, union for oil feed pipe	1	All ...
015198	...	Filter, metal gauze, for oil feed pipe	1	All ...
015528	...	Washer, fibre, for engine end oil feed union	1	All ...
021087	...	Pipe, oil, return	1	G3L, G3LC, G80, G80C ...
022069	...	Pipe, oil, return	1	G3LS, G3LCS, G80S, G80CS ...
011369	...	Connection, rubber, for oil return pipe	1	All ...
016677	...	Pipe, rocker box oil feed, top portion	1	All ...
016678	...	Pipe, rocker box oil feed, bottom portion	1	All ...
011381	...	Connection, rubber, for rocker box oil feed pipe	1	All ...
000513	...	Nut, union, rocker box pipe, top end	1	All ...
017180	...	Nut, union (extended type), rocker box pipe, bottom end	1	All ...

OIL VENT PIPES.

000755	...	Pipe, oil discharge, for release valve	1	All ...
000513	...	Nut, union, oil discharge pipe	1	All ...
018742	...	Extension, for release pipe	1	All Competition
018743	...	Rubber, for release pipe extension	1	ditto
018744	...	Clip, for release pipe extension	1	ditto
018188	...	Pipe, vent (rubber), for oil tank, 12 ins. long	1	G3L, G80 ...
015498	...	Pipe, vent (rubber), for oil tank, 12 ins. long	1	G3LC, G80C ...
015119	...	Pipe, vent (rubber), for oil tank, 8½ ins. long	1	G3LCS, G80CS
015120	...	Pipe, vent (metal insertion), for oil tank rubber vent pipe	1	ditto
014936	...	Pipe, vent (rubber), for oil tank, 5½ ins. long	1	G3LS, G80S ...
015138	...	Pipe, vent (metal), for oil tank	1	ditto
014584	...	Clip, for vent pipe	1	G3L, G80 ...
014951	...	Clip, for vent pipe	1	G3LCS, G80CS

WHEEL AND BRAKE SECTION.

FRONT WHEEL.

THE COMPLETE WHEELS LISTED BELOW COMPRISE :—

Rim, spokes, nipples, hub, hub disc, grease nipple, all bearings, and all brake parts including cover plate and expander lever, but does not include the tyre.

021986	... Wheel, front, complete with all fittings, chrome rim—red centre (Export only)	1	G3L, G3LS, G80, G80S
021987	... Wheel, front, complete with all fittings, chrome rim—black centre	1	ditto
021988	... Wheel, front, complete with all fittings, chrome rim ...	1	G3LC, G3LCS, G80C, G80CS
THE BARE WHEELS LISTED BELOW COMPRISE :— Rim, spokes, nipples, and hub.			
021989	... Wheel, front, bare, less all fittings, chrome rim—red centre (Export only)	1	G3L, G3LS, G80, G80S
021990	... Wheel, front, bare, less all fittings, chrome rim—black centre	1	ditto
021991	... Wheel, front, bare, less all fittings, chrome rim ...	1	G3LC, G3LCS, G80C, G80CS
021876	... Rim, front, 19 in. by 2½ ins., chrome—red centre (Export only) (A.M.C. 23)	1	G3L, G3LS, G80, G80S
012220	... Rim, front, 19 ins. by 2½ ins., chrome (AMC 23)—black centre	1	ditto
021151	... Rim, front, 21 ins. by 2½ ins., chrome	1	G3LC, G3LCS, G80C, G80CS
021152	... Spoke, front	40	G3L, G3LS, G80, G80S
021153	... Spoke, front	40	G3LC, G3LCS, G80C, G80CS
021154	... Nipple, front, .250 in. by 11 G	40	All
021461	... Hub, front wheel, shell only with brake drum	1	All
000051	... Nipple, grease, for front wheel hub	1	All
011090	... Tape, for 19 ins. by 2½ ins., rim	1	G3L, G3LS, G80, G80S
013693	... Tape, for 21 ins. by 2½ ins., rim	1	G3LC, G3LCS, G80C, G80CS
011708	... Bolt, security, for front wheel	1	ditto
021464	... Disc, for R.H. side of hub	1	All
021550	... Grommet, rubber for disc	1	G3LC, G3LCS, G80C, G80CS

FRONT WHEEL BEARINGS.

012825	... Spindle, with roller bearings, for front wheel	1	All
010579	... Oil-seal, for front hub bearings	2	All
017219	... Ring, spring, locating front hub bearings	1	All
018093	... Cup, for front hub bearing oil-seal	2	All
018096	... Ring, retaining front hub bearing oil-seals	2	All
021279	... Nut, lock, for front hub bearing adjusting ring	1	All
021161	... Ring, adjusting, for front hub bearing	1	All
021931	... Nut, locating front brake cover plate	1	All
018071	... Nut, outside, securing front brake cover plate	1	All
000001	... Nut, front wheel spindle, left side	1	All
000008	... Washer, plain, front wheel spindle, left side	1	All

REAR WHEEL.

THE COMPLETE WHEELS LISTED BELOW COMPRISE :—

Rim, spokes, nipples, hub, grease nipple and all bearings assembled, but does NOT include the centre solid spindle, washers, spacers, nuts, brake parts, sprocket and brake drum, speedometer drive and tyre.

021994	... Wheel, rear, with all fittings, chrome rim—red centre (Export only)	1	G3L, G3LS, G80, G80S
021995	... Wheel, rear, with all fittings, chrome rim—black centre	1	ditto
021997	... Wheel, rear, complete, with all fittings, chrome rim ...	1	G3LC, G3LCS, G80C, G80CS

THE BARE WHEELS LISTED BELOW COMPRISE :—

Rim, spokes, nipples and hub.

021998	... Wheel, rear, bare (less fitting) chrome rim—red centre (Export only)	1	G3L, G3LS, G80, G80S
021999	... Wheel, rear, bare (less fittings) chrome rim—black centre	1	ditto
022001	... Wheel, rear, bare, less all fittings, chrome rim ...	1	G3LC, G3LCS, G80C, G80CS
021815	... Rim, rear, chrome rim—red centre (Export only) (A.M.C. 24)	1	G3L, G3LS, G80, G80S
021814	... Rim, rear, chrome rim—black centre (A.M.C. 24)	1	ditto
021817	... Rim, rear, 19 ins. by 3 ins., chrome (A.M.C. 25)	1	G3LC, G3LCS, G80C, G80CS
021691	... Spoke, rear, left or right, 6½ ins. by 10 G	40	G3L, G3LS, G80, G80S
021692	... Spoke, rear, left or right, 6½ ins. by 8 G	40	G3LC, G3LCS, G80C, G80CS
021693	... Nipple, rear, left or right, .250 in. by 10 G	40	G3L, G3LS, G80, G80S
021694	... Nipple, rear, left or right, .300 in. by 8G	40	G3LC, G3LCS, G80C, G80CS
021580	... Hub, rear wheel, shell only	1	G3L, G3LS, G80, G80S
021695	... Hub, rear wheel, shell only	1	G3LC, G3LCS, G80C, G80CS
021550	... Grommet, rubber for disc	1	ditto
021582	... Disc, for right hand side of hub	1	All
000051	... Nipple, grease, for rear wheel hub	1	All
011090	... Tape, for 19 ins. rear rim	1	All
011707	... Bolt, security, for rear wheel	2	G3LC, G3LCS, G80C, G80CS

WHEN IN DOUBT REGARDING THE NAMES AND PART NUMBERS OF THE PARTS YOU REQUIRE, PLEASE SEND THE OLD PARTS TO SERVE AS PATTERNS.

REAR BRAKE.

021634	...	Sprocket, and brake drum, for rear wheel, 42 teeth	1	G3L, G3LC, G80, G80C	...
021635	...	Bolt, retaining sprocket to rear hub, $\frac{3}{4}$ in. by $\frac{1}{4}$ in. by 26	5	ditto	...
014779	...	Washer, lock, for rear sprocket retaining bolt	5	ditto	...
000074	...	Nut, for rear sprocket retaining bolt	5	ditto	...
021596	...	Sprocket and brake drum, 42 teeth	1	G3LS, G3LCS, G80S, G80CS	...
021607	...	Pin, driving in hub	5	ditto	...
022083	...	Nut, for driving pin	5	ditto	...
021609	...	Plate, cover, rear brake	1	G3LS, G3LCS, G80S, G80CS	...
016004	...	Plate, cover, rear brake	1	G3L, G3LC, G80, G80C	...
017178	...	Bolt, anchor, rear brake cover plate, $1\frac{1}{4}$ ins. by $\frac{3}{8}$ in. by 26, with square head	1	G3L, G3LC, G80, G80C	...
000003	...	Nut, for rear brake cover plate anchor bolt	1	ditto	...
000006	...	Pin, split, for rear brake anchor bolt	1	ditto	...
021632	...	Spacer, for rear brake cover plate, outer	1	ditto	...
021631	...	Spacer, for rear brake cover plate, inner	1	ditto	...
021606	...	Spacer, for brake cover plate, outer	1	G3LS, G3LCS, G80S, G80CS	...
021605	...	Spacer, for brake cover plate, inner	1	ditto	...
021598	...	Bearing, ball, for brake drum	1	ditto	...
021599	...	Washer, for brake drum bearing	2	ditto	...
021600	...	Circlip, for brake drum bearing	1	ditto	...
021783	...	Oil seal, for brake drum bearing	1	ditto	...
021602	...	Dummy, spindle, for bearing	1	ditto	...
021603	...	Nut, for dummy spindle	1	ditto	...
021604	...	Washer, for dummy spindle	1	ditto	...
013620	...	Shoes, pair of, for rear brake, with brake linings and thrust pins (only supplied in pairs)..... per pair	1	All	...
013291	...	Pin, thrust, brake expander adjusting	2	All	...
000174	...	Washer, plain, for thrust pin	R	All	...
010440	...	Linings, brake, per pair of, less rivets	1	All	...
000113	...	Rivets, for brake linings..... per set of	12	All	...
012892	...	Spring, for brake shoes	2	All	...
012891	...	Expander, for brake shoes	1	All	...
017113	...	Lever, for rear brake shoe expander	1	G3LS, G3LCS, G80S, G80CS	...
012577	...	Lever, for rear brake shoe expander	1	G3L, G3LC, G80, G80C	...
000051	...	Nipple, grease, for brake shoe expander	1	All	...
000174	...	Washer, plain, for brake shoe expander	1	All	...
000004	...	Nut, for brake shoe expander	1	All	...

REAR BRAKE OPERATING PARTS.

021720	...	Pedal, foot, for rear brake	1	G3LS, G80S	...
015090	...	Pedal, foot, for rear brake	1	G3L, G80	...
015175	...	Pedal, foot, for rear brake	1	G3LC, G80C	...
022096	...	Pedal, foot, for rear brake	1	G3LCS, G80CS	...
021699	...	Fulcrum, for rear brake foot pedal	1	G3LS, G3LCS, G80S, G80CS	...
017176	...	Bush, for rear brake foot pedal	1	G3L, G3LC, G80, G80C	...
000051	...	Nipple, grease, for rear brake foot pedal	1	All	...
017175	...	Spindle, rear brake foot pedal	1	G3L, G3LC, G80, G80C	...
000009	...	Washer, plain, rear brake pedal spindle	2	ditto	...
000194	...	Washer, spring, rear brake pedal spindle	1	ditto	...
000002	...	Nut, rear brake pedal spindle	1	ditto	...
021700	...	Spring, return, rear brake foot pedal	1	G3LS, G3LCS, G80S, G80CS	...
017177	...	Spring, return, rear brake foot pedal	1	G3L, G3LC, G80, G80C	...

REAR BRAKE OPERATING PARTS—continued.

021713	...	Bolt, adjusting rear brake foot pedal	1	G3LS, G3LCS, G80S, G80CS	...
000345	...	Bolt, adjusting rear brake foot pedal, $1\frac{1}{4}$ in. by $\frac{1}{4}$ in. by 26	1	G3L, G3LC, G80, G80C	...
000005	...	Nut, for rear brake, foot pedal adjusting bolt	1	All	...
011313	...	Rod, bare, rear brake	1	G3L, G3LS, G80, G80S	...
017187	...	Rod, bare, rear brake	1	G3LC, G80C	...
014224	...	Rod, bare, rear brake	1	G3LCS, G80CS	...
000735	...	End, yoke, for front end of brake rod	1	All	...
000736	...	Pin, for brake rod yoke end	1	All	...
000014	...	Pin, split, for brake rod yoke end pin	1	All	...
017095	...	Spring, for brake rod	1	All	...
000178	...	Collar, for brake rod, spring	1	All	...
017227	...	Clip, adjusting, for rear end of brake rod	1	All	...
000736	...	Pin, for brake rod adjusting clip	1	All	...
000014	...	Pin, split, for brake rod adjusting clip pin	1	All	...
000615	...	Nut, adjusting, for rear brake rod	1	All	...

ELECTRICAL SECTION.

PART NUMBER.	DESCRIPTION.	QTY.	USED ON.	PRICE EACH £ s. d.
--------------	--------------	------	----------	-----------------------

MAGNETO.

015487	...	Magneto, type NR-1 (Lucas No. 42179E)	1	G3LC, G3LCS, G80C, G80CS	...
021352	...	Magneto, type SR-1	1	G80, G80S, G3L, G3LS	...
For components and service for 015487 magneto apply to nearest LUCAS SERVICE STATION.					
458019	...	Cover, bakelite, for SR-1 magneto	1	G3L, G3LS, G80, G80S	...
458194	...	Gasket, for cover	1	ditto	...
145220	...	Screws, fixing cover	3	ditto	...
498157	...	Spring, set, for auto-advance unit	1	G3L, G3LS, G80, G80S	...
498375	...	Spring, set, for auto-advance unit	1	G3LC, G3LCS, G80C, G80CS	...
015488	...	Pipe, vent, rubber, for magneto	1	ditto	...
021194	...	Pipe, vent, metal, for magneto	1	G3L, G3LS, G80, G80S	...
458053	...	Contact set for magneto SR-1	1	G80, G80S	...
021354	...	Auto-control unit with sprocket	1	G80, G80S	...
021680	...	Auto-control unit with sprocket	1	G3L, G3LS	...

MAGNETO FIXING PARTS.

010820	...	Platform, for magneto	1	All	...
000340	...	Bolt, fixing magneto, left, short, $\frac{1}{2}$ in. by $\frac{1}{2}$ in. by 20	4	All	...
000012	...	Washer, plain, magneto front fixing bolt	2	All	...
010824	...	Stud, fixing platform at rear, $6\frac{1}{2}$ ins. by $\frac{1}{2}$ in. by 26	1	All	...
010823	...	Stud, fixing platform at front, $6\frac{1}{2}$ ins. by $\frac{1}{2}$ in. by 26	1	All	...
010822	...	Spacer, $1\frac{1}{2}$ ins. long ($\frac{1}{2}$ in. internal), platform rear fixing stud	1	All	...
010821	...	Spacer, $1\frac{1}{2}$ ins. long ($\frac{1}{2}$ in. internal), platform front fixing stud	1	All	...
018605	...	Shield, for magneto	1	G3L, G3LS	...

★ Price on application.

DYNAMO.

016599	...	Dynamo, type E3N-L-O (Lucas No. 2002B-A).....	1	All	...
200737	...	Set of brushes, for E3N Dynamo	1	All	...
200826	...	Cover assembly	1	All	...

DYNAMO FIXING PARTS.

010962	...	Strip, dynamo, locating.....	1	All	...
000044	...	Screw, fixing locating strip to dynamo, $\frac{3}{8}$ in. by 1 BA.....	2	All	...
000025	...	Washer, plain, for locating strip screw.....	2	All	...
017197	...	Strap, clamping dynamo.....	1	All	...
010963	...	Pin, hinge, for dynamo clamping strap.....	1	All	...
017145	...	Sleeve, threaded, for eye of dynamo strap.....	1	All	...
018002	...	Bolt, tightening dynamo strap, $2\frac{1}{2}$ ins. by $\frac{1}{8}$ in. by 26	1	All	...
010926	...	Crossbar, square, for dynamo clamping strap.....	1	All	...

VOLTAGE REGULATOR.

015070	...	Regulator, complete unit, type MCR 2 (Lucas No. 37144-A).....	1	All	...
000342	...	Bolt, fixing regulator unit, $\frac{1}{2}$ in. by $\frac{1}{2}$ in. by 26.....	2	All except G3L, G80	...
000346	...	Bolt, fixing regulator unit	2	G3L, G80	...
000012	...	Washer, plain, for regulator fixing bolt.....	4	All	...
018160	...	Nut, for regulator fixing bolt.....	2	All	...
000639	...	Spacer, for regulator fixing bolt	2	G3L, G80	...

BATTERY.

4080157	...	Battery, with lid, dry and uncharged. This is a battery that has NOT been filled with electrolyte (acid) and is, of course, not charged. It requires no special packing, and can safely be packed with other goods. (Lucas No. PU-7E-9.) (We do not supply charged batteries—for such apply to nearest Lucas Service Station).....	1	All	...
4159062	...	Lid, only, with rubber pads, for battery.....	1	All	...

HEAD LAMP.

021802	...	Lamp, head, with bulb, ammeter, switch, no cable harness (not Europe).....	1	Touring	...
021803	...	Lamp, head, with bulb, ammeter, switch, no cable harness (Europe, except France).....	1	ditto	...
021804	...	Lamp, head, with ammeter, switch, less cable harness and bulb (France only)	1	ditto	...
014963	...	Lamp, head, type MU42, with bulbs, ammeter, switch and socket, no cable harness.....	1	Competition	...
516951	...	Shell only, top half for head lamp, type.....	1	Touring	...
516952	...	Shell only, bottom half, for head lamp, type.....	1	Touring	...
553248	...	Rim, bare, for head lamp	1	Touring	...
550899	...	Rim, bare, for head lamp	1	Competition	...
553925	...	Light unit, reflector and glass (all except Europe)	1	Touring	...
553948	...	Light unit, reflector and glass (Europe, except France)	1	Touring	...
553940	...	Light unit, reflector and glass (France only)	1	Touring	...
550875	...	Glass, only, for headlamp	1	Competition	...
553147	...	Reflector, only, with bulb holders	1	ditto	...
555005	...	Adaptor (bulb holder) (except France).....	1	Touring	...
186131	...	Screw, fixing panel to head lamp.....	3	Competition	...
112201	...	Bolt, fixing lamp to bracket.....	2	ditto	...
137141	...	Washer, plain, head lamp fixing bolts.....	2	ditto	...
014340	...	Spacer, for head lamp bracket.....	2	ditto	...

See ELECTRICAL SUNDRIES for Ammeter, Switch, Cable Harness and Bulbs.

REAR LAMP COMPETITION.

021879	...	Lamp, rear, with bulb (Lucas 529)	1	All	...
526404	...	Window cover, red	1	All	...
526406	...	Window cover, White	1	All	...
133551	...	Screws, for red window cover	2	All	...
526408	...	Seat, rubber, for lamp	1	All	...
554719	...	Bulb holder and cable	1	All	...
526410	...	Screw, securing lamp to plate	3	All	...
166103	...	Nut, for securing screw.....	3	All	...
188412	...	Washer, for nut	3	All	...

REAR LAMP TOURING (early models)

018760	...	Lamp, rear (Lucas 525, No. 53269A)	1	All	...
573819	...	Window cover, red, for rear lamp	1	All	...
573814	...	Rubber gasket for window cover	1	All	...
572072	...	Screw, retaining lamp window cover	2	All	...
166014	...	Nut, retaining body to rear number plate	2	All	...
188330	...	Spring washer, for body to rear number plate.....	2	All	...
860428	...	Rear lamp cables with contact disc	1	All	...
573825	...	Rubber cap, covering cable entry	1	All	...

REAR LAMP WITH INTEGRAL REFLECTOR, TOURING (later models)

022126	...	Rear lamp, complete (Lucas L-564).....	1	All	...
573839	...	Window cover, red, for rear lamp	1	All	...
575200	...	Window cover, white, for rear lamp	1	All	...
575208	...	Rubber gasket for window cover.....	1	All	...
552928	...	Screw, retaining window cover	2	All	...
575207	...	Grummet, rubber, for bulb holder.....	1	All	...
575209	...	Bulb holder	1	All	...
860428	...	Rear lamp wires, with Paxoline washer	1	All	...
573825	...	Rubber cap, covering cable entry	1	All	...
166014	...	Nut, retaining body to rear number plate.....	2	All	...
188330	...	Spring washer, for fixing nut	2	All	...

STOP LIGHT PARTS (Optional Extra)

018854	...	Complete kit of stop light parts	1	Rigid	...
022002	...	Complete kit of stop light parts.....	1	Springer	...
900269	...	Snap connector	1	All except Competition	...
022085	...	Cable lamp to switch and battery, pair complete.....	1	All springers	...
018866	...	Cable (6ft.) lamp to switch and battery.....	1	All Rigid	...
018720	...	Stop light switch.....	1	Rigid frame	...
022031	...	Stop light switch.....	1	Springer	...
018727	...	Pull off spring for switch	1	All	...
018762	...	Bracket, for switch.....	1	Rigid frame	...
022032	...	Bracket, for switch	1	Spring frame	...
018764	...	Clip, for pull off spring	1	All except Competition	...
000738	...	Screw, securing switch and spring clip	3	ditto	...
000739	...	Nut, for securing switch and spring clip	3	ditto	...
000039	...	Washer, for spring clip screw	2	ditto	...
000073	...	Nut, for securing switch bracket.....	1	Rigid frame	...
000414	...	Bolt, securing switch bracket.....	1	Rigid frame	...
011907	...	Rubber cable clip	4	ditto	...
018220	...	Rubber cable clip	1	Springer	...
011908	...	Rubber cable clip	2	ditto	...
014453	...	Metal cable clip	1	All except Competition	...

SIDE LAMP.

52224	...	Side lamp complete, type 516	2	All Touring	...
516719	...	Rubber Grummet, for side lamp.....	2	ditto	...
573615	...	Lens, for side lamp.....	2	ditto	...
573646	...	Rim and bead, for side lamp.....	2	ditto	...

HORN.

015257	...	Horn, electric, with bracket, type HF.1234 (Lucas No. 70039-A)	1	All
011569	...	Horn, bulb	1	Competition
015245	...	Bracket, only, for electric horn (Lucas No. 701686)	1	All
000402	...	Bolt, securing electric horn, 3/8 in. by 3/8 in. by 26	1	All
015706	...	Washer, rubber, for horn fixing bolt	2	All
015707	...	Washer, plain, for horn fixing bolt, rubber washer	1	All
030193	...	Washer, spring, for horn fixing bolt	1	All
000010	...	Washer, plain, for horn fixing bolt	1	All
015705	...	Nut, sleeve, for horn fixing bolt	1	All

ELECTRICAL SUNDRIES.

36084	...	Ammeter, for head lamp	1	All
351551	...	Switch, main lighting, for head lamp	1	All
351567	...	Handle, with screw, for main lighting switch	1	All
380521	...	Switch, dipping, for handlebar	1	Comp. only
021301	...	Switch, dipping, for handlebar	1	All Touring
330459	...	Rubber packing, for dip switch	1	ditto
021299	...	Screw, securing dip switch	2	ditto
016427	...	Switch, horn, for handlebar (Lucas No. 76209)	1	All
997831	...	Cable harness, main lighting (no dip switch wire, no horn wire, no regulator wires)	1	Touring
014964	...	Cable harness, main, lighting and horn, with socket (Lucas No. 994521)	1	Competition
858795	...	Cable harness, triple, for dipping switch	1	All
860595	...	Cable harness, for regulator	1	All
359218	...	Cable, for horn	1	Touring
016681	...	Sheath, for horn cable	1	All
000543	...	Cable, high tension, for sparking plug, price per foot	R	All
809793	...	Plug, for head lamp	1	Competition
809795	...	Socket, for main harness	1	ditto
000541	...	Terminal, for high tension cable	1	All
900269	...	Connector, snap, for rear lamp cable	1	All
900269	...	Connector, snap, for regulator to ammeter cable	1	All
011094	...	Bush, rubber, fits in rear mudguard, for rear lamp cable	1	Touring
312	...	Bulb, head lamp, main, 6 volt, 30 by 24 watts (not E type)	1	ditto
	...	Plus Purchase Tax		
988	...	Bulb, head lamp, pilot, 6 volt, 3 watts	2	ditto
	...	Plus Purchase Tax		
384	...	Bulb, rear lamp, 6 volt, 18 and 6 watt Double Contact	1	ditto
	...	Plus Purchase Tax		
951	...	Bulb, rear lamp, 6 volt, 6 watts, S.B.C. Single Contact	1	Competition
	...	Plus Purchase Tax		
200	...	Bulb, head lamp, pilot, 6 volt, 3 watts, S.B.C. Single Contact	1	ditto
	...	Plus Purchase Tax		
168	...	Bulb, head lamp main, 6 volt, 24 by 24 watts	1	Competition
	...	Plus Purchase Tax		
015538	...	Plug, sparking, KLG, type FE-80	1	All
015399	...	Cover, waterproof, for sparking plug	1	Competition
021310	...	Cover for dynamo terminals	1	All

BEFORE ORDERING
PLEASE NOTE THE INFORMATION GIVEN ON PAGES
TWO AND THREE

ACCESSORY SECTION.

COMPLETE TOOL KITS.

022026	...	Tool kit, complete, with tyre inflator	1	G3L, G3LS, G80, G80S
022027	...	Tool kit, complete, less tyre inflator	1	ditto
022028	...	Tool kit, complete, with tyre inflator	1	G3LC, G3LCS, G80C, G80CS
022029	...	Tool kit, complete, less tyre inflator	1	ditto

TOOLS.

017253	...	Bag, for tools	1	All
021265	...	Screwdriver	1	All
017248	...	Pliers, side cutting	1	All
011188	...	Pliers, for gudgeon pin circlips	1	All
017246	...	Gun, grease	1	All
017114	...	Inflator, tyre	1	All
017007	...	Lever, tyre	2	All
017052	...	Spanner, double end, 7/8 in. by 1/2 in.	2	All
017053	...	Spanner, double end, 7/8 in. by 3/4 in.	1	All
018178	...	Spanner, double end, 1-010 in. by 1-2 in.	1	All
017257	...	Spanner, double end, 7/8 in. by 3/4 in.	1	All
017252	...	Spanner, box, with tommy, for sparking plug	1	All
017254	...	Spanner, single end, dynamo chain and clutch adjustment	1	All
017249	...	Wrench, adjustable	1	All
015023	...	Spanner, double end, with gauge, for contacts (Lucas No. 415116)	1	G3LC, G3LCS, G80C, G80CS
021889	...	Screwdriver, magneto	1	G3L, G3LS, G80, G80S
015213	...	Spanner, box, 7/8 in.	1	All
018153	...	Spanner, for petrol taps	1	G3LCS, G80CS
018055	...	Key, for handlebar clip screw	1	G3L, G3LS, G80, G80S
018667	...	Key, for fork crown pinch screw	1	G3L, G3LS, G80, G80S
000174	...	Brake thrust pin packing washer	8	All

SPECIAL TOOLS.

017482	...	Holder, valve, for valve grinding	1	All
018276	...	Compressor, for valve spring removal	1	All
022011	...	Disc, timing (see Instruction Book)	1	All

The above tools are NOT INCLUDED in the equipment of a new motor cycle or a "complete" tool kit.

VARIOUS EQUIPMENT.

018691	...	Bar, locking, for fork crown	1	All
016344	...	Set of Pannier bags, with frames and fixing bolts, washers and nuts	1	G3LS, G80S
	...	Plus Purchase Tax		
016866	...	Set of Pannier bags, with frames and fixing bolts, washers and nuts	1	G3L, G80
	...	Plus Purchase Tax		
011957	...	"TEKALL" Rust preventative 1/2 pint	R	All
011958	...	"TEKALL" Rust preventative 1 pint	R	All
	...	Instruction Manual	R	All
B-M-H	...	Badge, monogram, Matchless, for button hole	R	All
B-M-T	...	Badge, monogram, Matchless, for tie	R	All
B-M-B	...	Badge, monogram, Matchless, for brooch fixing	R	All

SPEEDOMETERS.

022003	Speedometer, trip, 80 M.P.H. complete	1	G3L
022004	Speedometer, trip, 80 M.P.H. complete	1	G3LS
002205	Speedometer, trip, 120 M.P.H. complete	1	G80
022006	Speedometer, trip, 120 M.P.H. complete	1	G80S
022007	Speedometer, trip, 140 K.P.H. complete	1	G3L
022008	Speedometer, trip, 140 K.P.H. complete	1	G3LS
022009	Speedometer, trip, 180 K.P.H. complete	1	G80
022010	Speedometer, trip, 180 K.P.H. complete	1	G80S
021447	Speedometer, trip, 120 M.P.H. complete	1	G3LC, G80C
021448	Speedometer, trip, 120 M.P.H. complete	1	G3LCS, G80CS
021449	Speedometer, trip, 180 K.P.H. complete	1	G3LC, G80C
021450	Speedometer, trip, 180 K.P.H. complete	1	G3LCS, G80CS
021792	Head, only, speedometer, trip, 80 M.P.H.	1	G3L, G3LS
021793	Head, only, speedometer, trip, 120 M.P.H.	1	G80, G80S
021794	Head, only, speedometer, trip, 140 K.P.H.	1	G3L, G3LS
021795	Head, only, speedometer, trip, 180 K.P.H.	1	G80, G80S
491/3	Head, only, speedometer, trip, 120 M.P.H.	1	G3LC, G3LCS, G80C, G80CS
491 7	Head, only, speedometer, trip, 180 K.P.H.	1	ditto
53279-1	Set of bulb holding parts for head	1	All
53205	Bulb, 6 volts, 1.8 watts, M.B.C. for head	1	All
	Plus Purchase Tax	—	—
N-1253	Nut, fixing speedometer head to bracket or lamp	2	All
000012	Washer, plain, spacing, for head	2	All Competition
W-7216	Washer, spring, speedometer bracket nut	2	All
53395-1-65	Cable, speedometer drive, complete	1	G3L, G3LS, G3LCS, G80, G80S, G80CS
53395-1-54	Cable, speedometer drive, complete	1	G3LC, G80C
52108-1-65	Cable, speedometer drive, inner only	1	G3L, G3LS, G3LCS, G80, G80S, G80CS
52108-1-54	Cable, speedometer drive, inner only	1	G3LC, G80C
53398-1-65	Cable, speedometer drive, outer only	1	G3L, G3LS, G3LCS, G80, G80S, G80CS
53398-1-54	Cable, speedometer drive, outer only	1	G3LC, G80C
52283-5	Gearbox, speedometer, complete	1	All
016945	Bracket, for speedometer head	1	Competition
000362	Bolt fixing speedometer bracket to forks, $\frac{1}{2}$ in. by $\frac{1}{16}$ in. by 26	2	Competition
000011	Washer, plain, speedometer bracket bolt	2	Competition
000192	Washer, spring, speedometer bracket bolt	1	ditto
022057	Bracket, retaining speedometer head in headlamp	1	G3L, G3LS, G80, G80S
021798	Grommet, rubber for speedometer head in headlamp	1	ditto
021454	Washer, outside speedometer gear box	1	All
021799	Grommet, rubber, for speedometer cable in fork crown	1	All

CABLE CLIPS.

011907	Clip, rubber, $1\frac{1}{4}$ inch	4	All
011908	Clip, rubber, $3\frac{1}{2}$ inch	3	All
018220	Clip, rubber, $4\frac{1}{2}$ inch	5	All
014453	Clip, metal, holding rear lamp wire inside mudguard	1	All

GASKETS.

Gaskets are supplied as separate spares and in complete sets. Single gaskets are listed in the groups to which they belong. Complete sets are listed below.

018355	Decarbonising gasket set	1	G3L, G3LS
			G80, G80S
018357	Decarbonising gasket set	1	G3LC, G3LCS, G80C, G80CS
021384	Complete gasket set	1	G3L, G3LS
			G80, G80S
021385	Complete gasket set	1	G3LC, G3LCS, G80C, G80CS

Each "Decarbonising gasket set" contains:—

- 1 Cylinder base washer.
- 1 Compression plate washer (competition sets only).
- 1 Cylinder head gasket (not in competition sets).
- 2 Cover tube bottom glands.
- 2 Cover tube top gaskets.
- 1 Rocker box side cover rubber fillet.
- 1 Rocker box gasket.
- 3 Rocker box cover fibre washers.
- 1 Carburettor gasket.
- 1 Carburettor packing piece gasket.

Each "Complete gasket set" contains the above items and:—

- 1 Timing gear cover washer.
- 2 Petrol tap fibre washers.
- 1 Oil tank drain plug fibre washer.
- 1 Oil tank filter compartment cap washer.
- 1 Chaincase inspection cap washer.
- 1 Clutch dome cork gasket.
- 2 Fork oil drain screw fibre washers.
- 2 Pump cap paper washers.
- 1 Oil tank filler cap washer (Comp. and C/S).

SERVICE

The Service and Repair Department is situated in Burrage Grove, Plumstead, London, S.E.18. Burrage Grove is the first turning on the left from Burrage Road when entering Burrage Road from the Plumstead Road. (See final paragraph below.)

The nearest Railway Station is WOOLWICH ARSENAL, SOUTHERN REGION RAILWAY. This Station is five minutes' walk from our Service Depot in Burrage Grove. There is an excellent service of electric trains from Charing Cross, Waterloo, Cannon Street and London Bridge Stations, Southern Region Railway.

Bus routes 53, 54, 163, 99, 122, 122a, 177 and Trolleybus routes, 696 and 698, pass the end of Burrage Road (one minute from the Service Depot).

Bus routes 186, 75 and 161 serve Beresford Square which is three minutes' walk from the Service and Repair Department.

Visitors from the North can pass into Woolwich via the Free Ferry between North Woolwich and Woolwich. North Woolwich is a British Railways terminus and is also served by Bus and Trolleybus routes 101, 569, 669 and 685. There is also a tunnel under the River Thames at this point for foot passengers. The Free Ferry accommodates all types of motor vehicles and there is a very frequent service. The Southern landing stage is less than a mile from the Service Depot.

Visitors arriving by road, if they are strangers to the locality, should enquire for Beresford Square, Woolwich. Upon arrival there, the road skirting the Royal Arsenal should be followed in an Easterly direction for about four hundred yards, and Burrage Road is the second turning on the right after leaving the square. Burrage Grove is then the first turning on the left.