

ALL PRICES, EXCEPT THOSE  
MARKED ✱, ARE SUBJECT TO  
10% INCREASE.

# SPARES LIST

*for*

**1956**

*350 c.c. and 500 c.c.*

SINGLE CYLINDER

## **MATCHLESS**

**TOURING, TRIALS AND SCRAMBLE  
MODELS**



## **MATCHLESS MOTOR CYCLES**

PROPRIETORS: ASSOCIATED MOTOR CYCLES LIMITED  
PLUMSTEAD - LONDON - S.E.18

★

Price:  
**TWO SHILLINGS and SIXPENCE**

# SPARES LIST

FOR

## 1956 MATCHLESS

350 MODEL G3LS SPRING FRAME (TOURING)

350 MODEL G3LCT SPRING FRAME (COMPETITION)

350 MODEL G3LCS SPRING FRAME (SCRAMBLES)

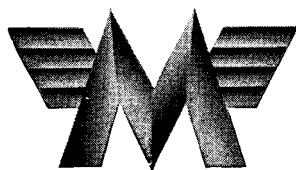
---

500 MODEL G80S SPRING FRAME (TOURING)

500 MODEL G80CS SPRING FRAME (SCRAMBLES)

---

G3LS, G3LCT	—	Bore 69 m.m.	Stroke 93 m.m.	Capacity 347 c.c.
G80S	—	Bore 82.5 m.m.	Stroke 93 m.m.	Capacity 498 c.c.
G3LCS	—	Bore 72 m.m.	Stroke 85.5 m.m.	Capacity 348 c.c.
G80CS	—	Bore 86 m.m.	Stroke 85.5 m.m.	Capacity 497 c.c.



Compiled and Issued by the Manufacturers

## MATCHLESS MOTOR CYCLES

(Proprietors : ASSOCIATED MOTOR CYCLES LIMITED)

Registered Offices :

**PLUMSTEAD ROAD, PLUMSTEAD  
LONDON, S.E.18 . ENGLAND**

Nearest Station :  
**WOOLWICH ARSENAL**  
(Southern Region Railway)

Factories :  
**BURRAGE GROVE and MAXEY ROAD  
PLUMSTEAD, S.E.18**

Telegrams and Cables : "MATCHLESS, TELEX-LONDON"  
Telephone : WOOLWICH 1 2 2 3 (7 Lines)  
Codes : A.B.C. 5th and 6th Edition ; Bentley's ; and Private Codes

---

All correspondence to :—  
**MATCHLESS MOTOR CYCLES, PLUMSTEAD ROAD, LONDON, S.E.18**

---

**Price : TWO SHILLINGS and SIXPENCE**

---

**(1) TERMS OF BUSINESS.**

**Our terms are :—** CASH WITH ORDER,  
CASH AGAINST PRO-FORMA INVOICE, OR  
APPROVED LEDGER ACCOUNT.

Customers who wish to avoid delay can open deposit accounts and the usual deposit is £5.

Orders from abroad should be accompanied by a remittance to cover the costs of goods and postal charges.

We do not send goods by " CASH ON DELIVERY " (C.O.D.).

**(2) PRICES AND SPECIFICATIONS.**

All prices, specifications and conditions are subject to alteration without notice. The prices of spares do not include the costs of packing and carriage.

**(3) CARRIAGE AND PACKING.**

All invoices for spare parts will be SURCHARGED by 5 PER CENT. to cover the cost of packing and postage, or carriage, and the minimum surcharge is sixpence. (Home orders only).

A special packing case, or crate, is required for some spares to ensure freedom from damage in transit. In such circumstances a special charge for the value of the case, or crate, will be made in addition to the 5 per cent. surcharge but the special charge will be credited in full if the container is promptly returned to our factory carriage paid and in good condition.

**(4) HOW TO ORDER SPARES.**

STATE :— (a) The Model of the machine.  
(b) The complete engine number. (See paragraph 5.)  
(c) The frame number. (See paragraph 5.)  
(d) The part of the spares required.  
(e) A description of each spare.  
(f) The quantity required of each item.  
(g) How the spares are to be sent. (Post, Parcels Post, Passenger train or Goods train.)  
(h) Your full name and address. These particulars are best written in BLOCK LETTERS.  
(i) Mention if, or not, you have an account with us.

ALSO :— Unless you have a deposit or ordinary account, enclose a remittance to cover the cost of the spares plus the 5 per cent. surcharge. (See paragraph 3.)

When cash is sent any excess will be refunded without prior application. .

NOTE :— When sending orders by telegram or cable do not omit your name and address from the message.

**(5) IDENTITY.**

To ensure the supply of correct spares it is essential we can identify the machine for which they are required. The ONLY WAY to do that is for us to know the COMPLETE ENGINE and frame numbers.

The engine number is stamped on the left crankcase, under the cylinder, and may have one or more letters incorporated in it. THE COMPLETE NUMBER MUST BE QUOTED.

The frame number is stamped on the right-hand side of the frame lug that is below the saddle.

**(6) SERVICE.**

The **SERVICE AND REPAIR DEPARTMENT** is situated in **BURRAGE GROVE, PLUMSTEAD, LONDON, S.E.18**, and is open on Mondays to Fridays from 8.30 a.m. to 12.55 p.m.—2 p.m. to 5.30 p.m. It is closed on Saturdays, Sundays and National Holidays.

It exists for the purpose of :—

- (a) Giving technical assistance verbally or through the Post.
- (b) Supplying spare parts over the counter or through the Post.
- (c) Repairing and re-conditioning machines, or parts of machines, of our make.

If it is considered necessary to bring a machine, or parts, to the factory for an urgent repair IT IS ESSENTIAL you make an appointment beforehand to avoid disappointment. This can be done by letter or telephone.

**(7) REPAIRS.**

The instructions regarding repairs should be clear and definite, otherwise the cost may be greater than that expected. We shall be pleased to give estimates for repairs if parts are sent to us for that purpose. If the estimate is accepted, no charge is made for the preliminary examination, but, should it be decided not to have the work carried out, it may be necessary to make a charge to cover the cost of whatever dismantling and re-assembly may have been done to prepare the estimate.

**(8) REPAIRS TO PROPRIETARY FITTINGS.**

We do not repair carburettors, chains, electrical equipment, saddles, sparking plugs, speedometers and tyres. On page 81 of the "**MAINTENANCE MANUAL AND INSTRUCTION BOOK**" will be found the names and addresses of the manufacturers of the proprietary equipment we fit, all of whom service and repair equipment they make.

**(9) PATTERNS**

Parts sent to us as patterns, or for repair, should have attached to them a label bearing the sender's full name and address. The instructions regarding such parts should be sent under separate cover.

**(10) GUARANTEE.**

All parts made by us, and sold as spares, are subject to the same Limited Guarantee as that issued with each new motor cycle and that guarantee is printed in full on Page 88 of the "**MAINTENANCE MANUAL AND INSTRUCTION BOOK.**"

**(11) INSTRUCTION BOOK.**

A "**MAINTENANCE MANUAL AND INSTRUCTION BOOK**" has been compiled and published by us.

One copy is supplied free, upon application, with each new motor cycle. Replacement copies are two shillings and sixpence each.

**(12) CORRESPONDENCE.**

Our routine is organised into different departments. Therefore delay cannot be avoided if matters relating to more than one department are contained in one letter.

Consequently when communicating with more than one department it is desirable to do so on SEPARATE SHEETS. Each sheet should bear the sender's name and address. **IN PARTICULAR,** requests for TECHNICAL ADVICE should not be on the same sheets as ORDERS FOR SPARE PARTS.

MATCHLESS MOTOR CYCLES,  
PLUMSTEAD, LONDON, S.E.18.

**ALL PRICES, EXCEPT THOSE MARKED \*,  
ARE SUBJECT TO 10% INCREASE.**

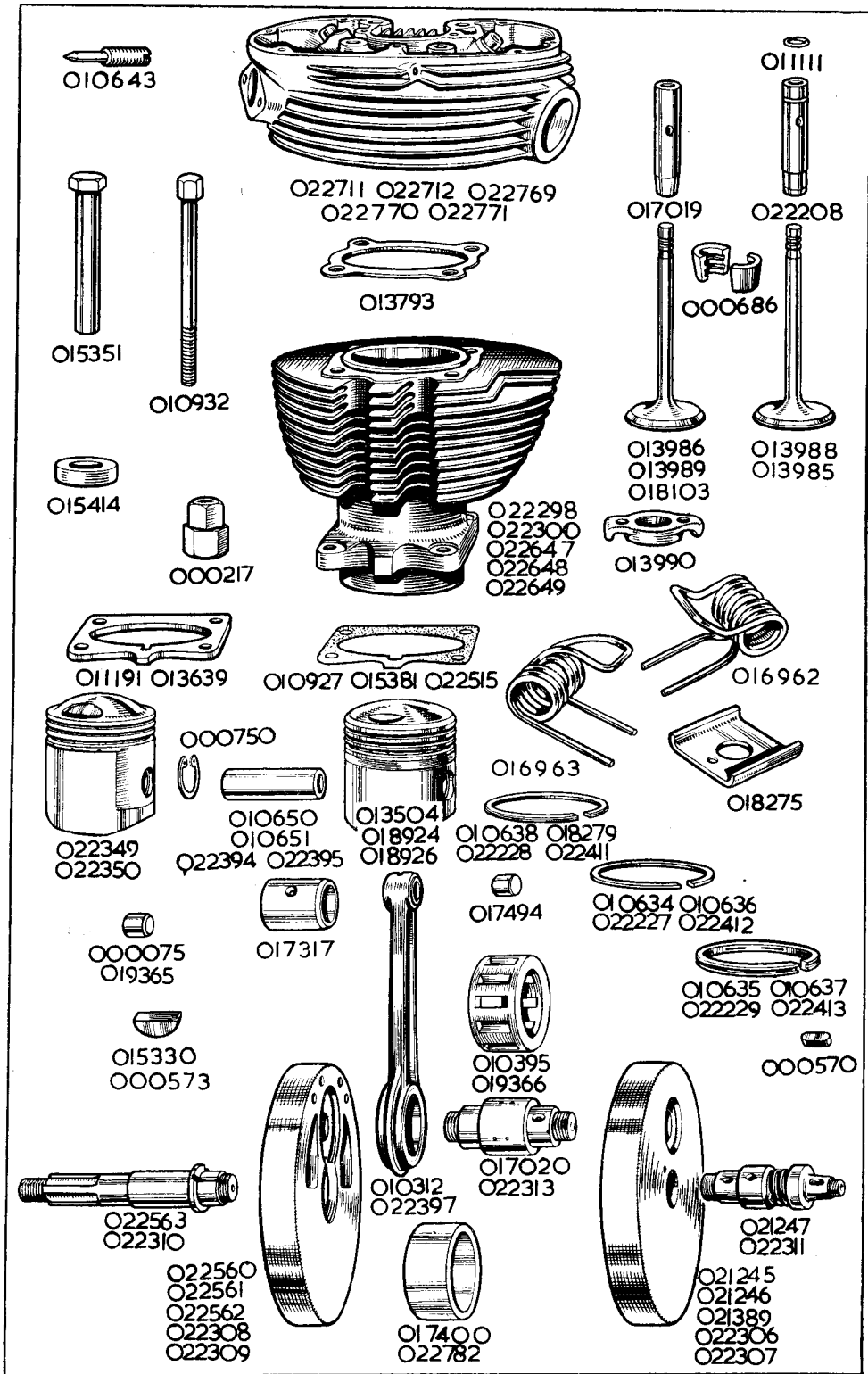
**N O T E**

The numbers, in brackets, that appear in the "Description" columns relate to the numbered foot notes regarding items so specially indicated.

The quantity per machine of each item are entered in the "Qty." columns. "R" indicates as may be required.

The illustrations are not to scale and are not necessarily accurate in detail.

Some items are not illustrated.



## ENGINE SECTION

PART NUMBER.	DESCRIPTION.	QTY.	USED ON.	PRICE EACH £ s. d.
<b>CYLINDERS.</b>				
222647	Barrel, cylinder	1	G3LS	...
222649	Barrel, cylinder	1	G3LCT	...
222300	Barrel, cylinder	1	G3LCS	...
222648	Barrel, cylinder	1	G80S	...
222298	Barrel, cylinder	1	G80CS	...
013639	Plate, compression, $\frac{1}{16}$ in. thick, not Std. fitting	1	G3LS	...
011191	Plate, compression, $\frac{1}{8}$ in. thick, not Std. fitting	1	G80S	...
010927	Washer, paper, cylinder base	1	G3LS, G80S	...
015381	Washer, paper, cylinder base	1	G3LCT	...
022515	Washer, paper, cylinder base	1	G3LCS, G80CS	...
000217	Nut, retaining cylinder to crankcase	4	G3LS, G80S	...
015351	Nut, sleeve, retaining cylinder head and barrel to crankcase	4	G3LCT, G3LCS, G80CS	...
015414	Spacer, $\frac{1}{4}$ in. long, for cylinder head sleeve nut	4	G80CS	...
000008	Washer, plain, for cylinder head sleeve nut	4	G3LCT, G3LCS	...
<b>CYLINDER HEADS.</b>				
022711	Head, cylinder with valve guides	1	G3LS	...
022769	Head, cylinder with valve guides	1	G3LCT	...
022770	Head, cylinder with valve guides	1	G3LCS	...
022712	Head, cylinder, with valve guides	1	G80S	...
022771	Head, cylinder, with valve guides	1	G80CS	...
022289	Head, cylinder, less valve guides	1	G3LS	...
022424	Head, cylinder, less valve guides	1	G3LCT	...
022303	Head, cylinder, less valve guides	1	G3LCS	...
022290	Head, cylinder, less valve guides	1	G80S	...
022302	Head, cylinder, less valve guides	1	G80CS	...
010643	Screw, needle adjusting, inlet valve oil feed. (Screws into cylinder head)	1	All	...
011373	Nut, lock, needle adjusting screw	1	All	...
010932	Bolt, securing head to barrel, $3\frac{3}{4}$ ins. by $\frac{3}{8}$ ins. 20	4	G3LS, G80S	...
000010	Washer, plain, head securing bolt	4	G3LS, G80S	...
013793	Gasket, for cylinder head	1	G3LS, G80S	...
000291	Stud, fixing carburetter, 2 ins. by $\frac{5}{16}$ ins. by 22 by 26	2	All	...
000004	Nut, for carburetter fixing stud	2	All	...
<b>ENGINE VALVES.</b>				
013985	Valve, inlet	1	G3LS, G3LCT, G3LCS	...
013988	Valve, inlet	1	G80S, G80CS	...
013986	Valve, exhaust	1	G3LS	...
018103	Valve, exhaust	1	G3LCT, G3LCS	...
013989	Valve, exhaust	1	G80S, G80CS	...
016963	Spring, for valve, wide prong	2	All	...
016962	Spring, for valve, narrow prong	2	All	...
013990	Collar, for valve spring	2	All	...
018275	Seat, for valve spring	2	All	...
000686	Collet, for valve (each in two pieces)	2	All	...
017019	Guide, for inlet valve	1	All	...
022208	Guide, for exhaust valve	1	All	...
011111	Circlip, for exhaust valve guide	1	All	...
<b>PISTONS.</b>				
018925	Piston, complete	1	G3LS	...
018301	Piston, complete	1	G3LCT	...
022772	Piston, complete	1	G3LCS	...
018927	Piston, complete	1	G80S	...
022773	Piston, complete	1	G80CS	...
018924	Piston, bare	1	G3LS	...
013504	Piston, bare	1	G3LCT	...
022349	Piston, bare	1	G3LCS	...
018926	Piston, bare	1	G80S	...
022350	Piston, bare	1	G80CS	...

PART NUMBER.	DESCRIPTION.	QTY.	USED ON.	PRICE EACH £ s. d.
--------------	--------------	------	----------	-----------------------

**PISTONS**—*continued*

018279 ...	Ring, compression, $2\frac{2}{3}$ ins. by $\frac{1}{16}$ ins. (chrome plated)...	1	G3LS, G3LCT	
022228 ...	Ring, compression, 72 mm. by $\frac{3}{64}$ in. (chrome plated)...	1	G3LCS	
010638 ...	Ring, compression, $3\frac{1}{4}$ ins. by $\frac{1}{16}$ ins. (chrome plated)...	1	G80S	
022411 ...	Ring, compression 86 mm. by $\frac{1}{16}$ in. (chrome plated)...	1	G80CS	
010634 ...	Ring, compression, $2\frac{2}{3}$ ins. by $\frac{1}{16}$ in. ....	1	G3LS, G3LCT	
022227 ...	Ring, compression, 72 mm. by $\frac{3}{64}$ ins. ....	1	G3LCS	
010636 ...	Ring, compression, $3\frac{1}{4}$ ins. by $\frac{1}{16}$ ins. ....	1	G80S	
022412 ...	Ring, compression, 86 mm. by $\frac{1}{16}$ in. ....	1	G80CS	
010635 ...	Ring, scraper, $2\frac{2}{3}$ ins. by $\frac{1}{8}$ in. ....	1	G3LS, G3LCT	
022229 ...	Ring, scraper, 72 mm. by $\frac{5}{32}$ in. ....	1	G3LCS	
010637 ...	Ring, scraper, $3\frac{1}{4}$ ins. by $\frac{1}{8}$ in. ....	1	G80S	
022413 ...	Ring, scraper, 86 mm. by $\frac{1}{8}$ in. ....	1	G80CS	
010650 ...	Pin, gudgeon	1	G3LS, G3LCT	
022395 ...	Pin, gudgeon	1	G3LCS	
010651 ...	Pin, gudgeon	1	G80S	
022394 ...	Pin, gudgeon	1	G80CS	
000750 ...	Circlip, for gudgeon pin	2	All	

"Piston, complete" includes—Piston, one ordinary compression ring, one chrome plated compression ring, one scraper ring, gudgeon pin and two circlips.

The following oversize parts can be supplied :

018948 ...	Piston, complete .020 oversize	1	G3LS	
018949 ...	Piston, complete .040 oversize	1	G3LS	
018302 ...	Piston, complete .020 oversize	1	G3LCT	
018303 ...	Piston, complete .040 oversize	1	G3LCT	
018950 ...	Piston, complete .020 oversize	1	G80S	
021392 ...	Piston, complete .040 oversize	1	G80S	
022774 ...	Piston, complete .020 oversize	1	G3LCS	
022775 ...	Piston, complete .040 oversize	1	G3LCS	
022776 ...	Piston, complete .020 oversize	1	G80CS	
022777 ...	Piston, complete .040 oversize	1	G80CS	
018929 ...	Piston, bare .020 oversize	1	G3LS	
018930 ...	Piston, bare .040 oversize	1	G3LS	
013621 ...	Piston, bare .020 oversize	1	G3LCT	
014723 ...	Piston, bare .040 oversize	1	G3LCT	
018932 ...	Piston, bare .020 oversize	1	G80S	
021391 ...	Piston, bare .040 oversize	1	G80S	
022778 ...	Piston, bare .020 oversize	1	G3LCS	
022779 ...	Piston, bare .040 oversize	1	G3LCS	
022780 ...	Piston, bare .020 oversize	1	G80CS	
022781 ...	Piston, bare .040 oversize	1	G80CS	
018280 ...	Ring, compression, $2\frac{2}{3}$ ins. plus .020 in. by $\frac{1}{16}$ in. (chrome plated)	1	G3LS, G3LCT	
018281 ...	Ring, compression, $2\frac{2}{3}$ ins. plus .040 in. by $\frac{1}{16}$ in. (chrome plated)	1	G3LS, G3LCT	
016443 ...	Ring, compression, $2\frac{2}{3}$ ins. plus .020 in. by $\frac{1}{16}$ in.	1	G3LS, G3LCT	
016444 ...	Ring, compression, $2\frac{2}{3}$ ins. plus .040 in. by $\frac{1}{16}$ in.	1	G3LS, G3LCT	
016445 ...	Ring, scraper, $2\frac{2}{3}$ ins. plus .020 in. by $\frac{1}{8}$ in.	1	G3LS, G3LCT	
016446 ...	Ring, scraper, $2\frac{2}{3}$ ins. plus .040 in. by $\frac{1}{8}$ in.	1	G3LS, G3LCT	
022315 ...	Ring, compression, 72 mm. plus .020 in. by $\frac{3}{64}$ in. (chrome plated)	1	G3LCS	
022316 ...	Ring, compression, 72 mm. plus .040 in. by $\frac{3}{64}$ in. (chrome plated)	1	G3LCS	
022317 ...	Ring, compression, 72 mm. plus .020 in. by $\frac{3}{64}$ in.	1	G3LCS	
022318 ...	Ring, compression, 72 mm. plus .040 in. by $\frac{3}{64}$ in.	1	G3LCS	
022319 ...	Ring, scraper, 72 mm. plus .020 in. by $\frac{5}{32}$ in.	1	G3LCS	
022320 ...	Ring, scraper, 72 mm. plus .040 in. by $\frac{5}{32}$ in.	1	G3LCS	
016449 ...	Ring, compression, $3\frac{1}{4}$ ins. plus .020 in. by $\frac{1}{16}$ in. (chrome plated)	1	G80S	
016450 ...	Ring, compression, $3\frac{1}{4}$ ins. plus .040 in. by $\frac{1}{16}$ in. (chrome plated)	1	G80S	
013661 ...	Ring, compression, $3\frac{1}{4}$ ins. plus .020 in. by $\frac{1}{16}$ in.	1	G80S	
016447 ...	Ring, compression, $3\frac{1}{4}$ ins. plus .040 in. by $\frac{1}{16}$ in.	1	G80S	
013662 ...	Ring, scraper, $3\frac{1}{4}$ ins. plus .020 in. by $\frac{1}{8}$ in.	1	G80S	
016448 ...	Ring, scraper, $3\frac{1}{4}$ ins. plus .040 in. by $\frac{1}{8}$ in.	1	G80S	
022813 ...	Ring, compression, 86 mm. plus .020 in. by $\frac{1}{16}$ in. (chrome plated)	1	G80CS	

PART NUMBER	DESCRIPTION.	QTY.	USED ON.	PRICE EACH £ s. d.
----------------	--------------	------	-------------	--------------------------

### PISTONS—continued

22284	Ring, compression, 86 mm. plus .040 in. by $\frac{1}{16}$ in. (chrome plated)	1	G80CS...	...
22285	Ring, compression, 86 mm. plus .020 in. by $\frac{1}{16}$ in.	1	G80CS...	...
22286	Ring, compression, 86 mm. plus .040 in. by $\frac{1}{16}$ in.	1	G80CS...	...
22287	Ring, scraper, 86 mm. plus .020 in. by $\frac{1}{8}$ in.	1	G80CS...	...
22288	Ring, scraper, 86 mm. plus .040 in. by $\frac{1}{8}$ in.	1	G80CS...	...

### RE-BORING.

Cylinders may be re-bored to .020 in. or to .040 in. oversize and normal compression pistons (with rings) (one chrome plated) supplied to suit.

G3LS Model £2 17s. 5d. (New gudgeon pins and circlips 7s. 1d. extra).  
G80S Model £3 6s. 10d. (New gudgeon pins and circlips 7s. 6d. extra).

Cylinders sent for re-boring should be packed in stout cases which will be used by us for their return. Carriage is additional. If a complete machine, or engine, is sent to us for cylinder re-boring, there will be an additional charge, according to the time taken, for dismantling and assembly.

### FLYWHEELS.

222560	Flywheel, bare, driving side	1	G3LS ...	...
222562	Flywheel, bare, driving side	1	G3LCT	...
222308	Flywheel, bare, driving side	1	G3LCS	...
222561	Flywheel, bare, driving side	1	G80S ...	...
222309	Flywheel, bare, driving side	1	G80CS...	...
221245	Flywheel, bare, timing side	1	G3LS ...	...
221389	Flywheel, bare, timing side	1	G3LCT	...
222306	Flywheel, bare, timing side	1	G3LCS	...
221246	Flywheel, bare, timing side	1	G80S ...	...
222307	Flywheel, bare, timing side	1	G80CS...	...
021247	Axle, timing side flywheel	1	G3LS, G3LCT, G80S	...
022311	Axle, timing side flywheel	1	G3LCS, G80CS	...
022563	Axle, driving side flywheel	1	G3LS, G3LCT, G80S	...
022310	Axle, driving side flywheel	1	G3LCS, G80CS	...
015330	Key, driving side flywheel axle	2	G3LS, G3LCT, G80S	...
000573	Key, driving side flywheel axle	2	G3LCS, G80CS	...
000573	Key, timing side flywheel axle	1	G3LCS, G80CS	...
021249	Nut, timing side flywheel axle	1	G3LS, G3LCT, G80S	...
000234	Nut, driving side flywheel axle	1	G3LS, G3LCT, G80S	...

### CONNECTING ROD.

010312	Rod, connecting with liner and bush	1	G3LS, G3LCT, G80S	...
022397	Rod, connecting with liner and bush	1	G3LCS, G80CS	...
017400	Liner for big-end bearing	1	G3LS, G3LCT, G80S	...
022782	Liner, for big-end bearing	1	G3LCS, G80CS	...
017317	Bush, for gudgeon pin	1	G3LS, G3LCT, G80S	...
017317	Bush, for gudgeon pin	1	G3LCS, G80CS	...
017020	Crankpin, only	1	G3LS, G3LCT, G80S	...
022313	Crankpin, only	1	G3LCS, G80CS	...
000075	Roller, for Crankpin, $\frac{1}{4}$ in. by $\frac{1}{4}$ in.	30	G3LS, G3LCT, G80S	...
019365	Roller, for crankpin, $\frac{1}{2}$ in. by $\frac{1}{4}$ in.	14	G3LCS, G80CS	...
010395	Cage, for crankpin rollers	1	G3LS, G3LCT, G80S	...
019366	Cage, for crankpin rollers	1	G3LCS, G80CS	...
022401	Washer, thrust for crankpin	2	G3LCS, G80CS	...
000233	Nut, for crankpin	2	G3LS, G3LCT, G80S	...
022399	Nut, for crankpin	2	G3LCS, G80CS	...



PART NUMBER.	DESCRIPTION.	QTY.	USED ON.	PRICE EACH £ s. d.
--------------	--------------	------	----------	-----------------------

### CRANKCASE.

022708	... Crankcase, complete (1) .....	1	G3LS, G80S	...
022783	... Crankcase, complete (2) .....	1	G3LCT	...
022784	... Crankcase, complete (3) .....	1	G3LCS, G80CS	...
022709	... Crankcase, driving side only (4) (6) .....	1	G3LS, G80S	...
022785	... Crankcase, driving side only (4) (6) .....	1	G3LCT	...
022786	... Crankcase, driving side only (4) (6) .....	1	G3LCS, G80CS	...
022710	... Crankcase, timing side only (5) (6) .....	1	G3LS, G80S	...
022787	... Crankcase, timing side only (5) (6) .....	1	G3LCT	...
022788	... Crankcase, timing side only (5) (6) .....	1	G3LCS, G80CS	...
022538	... Filter, magnetic .....	1	All	...
000182	... Washer, magnetic filter .....	1	All	...
000485	... Screw, plug, for crankcase oil holes, $\frac{1}{4}$ in. by $\frac{1}{4}$ in. by 26	3	All	...
000203	... Washer, fibre, for oil hole screws .....	3	All	...
000300	... Stud, for cylinder base, $1\frac{23}{32}$ in. by $\frac{9}{16}$ in. by 26 and 20	4	G3LS, G80S	...
015350	... Stud, for cylinder, $7\frac{7}{8}$ ins. by $\frac{11}{16}$ in. with top end threaded $\frac{3}{8}$ in. by 26 and bottom end threaded $\frac{7}{16}$ in. by 18	4	G3LCT	...
022516	... Stud, for cylinder .....	4	G3LCS, G80CS	...
000577	... Peg, dowel, locating timing gear cover .....	2	All	...
018306	... Cover, timing gear, with bushes .....	1	All	...
017182	... Washer, paper, for timing gear cover .....	1	All	...
000482	... Screw, fixing timing gear cover, $1\frac{1}{16}$ in. by $\frac{1}{2}$ in. by 26	5	All	...
000765	... Cap, in timing gear cover, for cam bush .....	1	All	...
021340	... Cover, magneto chaincase .....	1	G3LS, G80S	...
016864	... Cover, magneto chaincase .....	1	G3LCT, G3LCS, G80CS	...
000455	... Screw, fixing magneto chaincase cover, $\frac{11}{16}$ in. by 2.BA	7	G3LS, G80S	...
000455	... Screw, fixing magneto chaincase cover, $\frac{11}{16}$ in. by 2.BA	8	G3LCT, G3LCS, G80CS	...
021383	... Screw, fixing magneto chaincase cover, 2 ins. by 2.BA	1	G3LS, G80S	...
000486	... Plug, oil return .....	1	All	...
Note 1	... Comprises 022709 and 022710.			
Note 2	... Comprises 022785 and 022787.			
Note 3	... Comprises 022786 and 022788.			
Note 4	... Comprises crankcase half and two cylinder base studs.			
Note 5	... Comprises crankcase half, bush for timing side flywheel axle with peg, two camshaft bushes, two cylinder base studs and two dowel pins for timing gear cover.			
Note 6	... Halves of crankcase must be "matched" in the Factory. Therefore it is necessary to send the sound half of a crankcase when ordering a new half.			

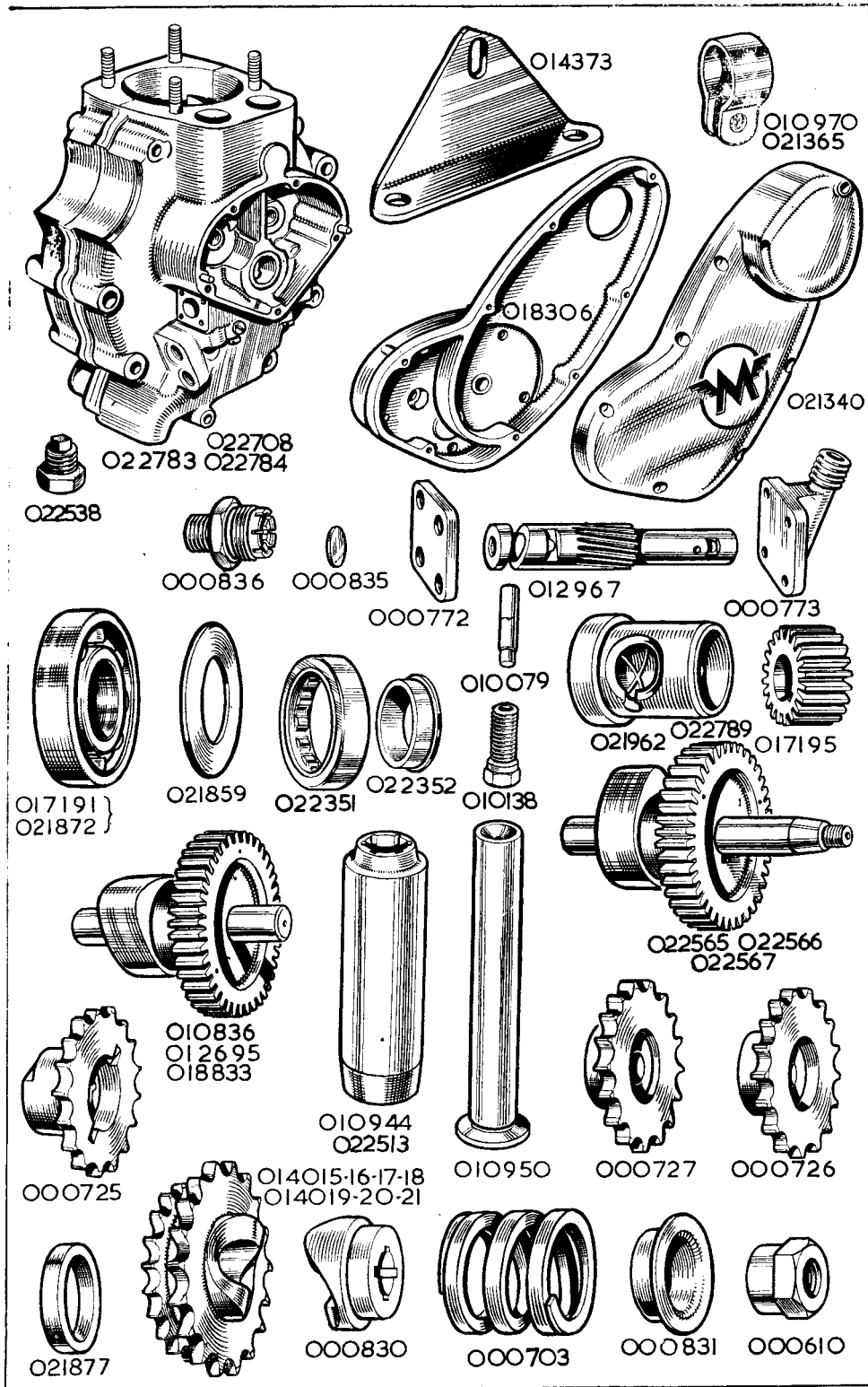
### CRANKCASE BEARINGS.

021962	... Bush, timing side flywheel axle .....	1	G3LS, G3LCT, G80S	...
022789	... Bush, timing side flywheel axle .....	1	G3LCS, G80CS	...
012233	... Peg, securing timing side bush .....	1	All	...
022351	... Outer race, with rollers, timing side axle .....	1	G3LCS, G80CS	...
022352	... Inner race, timing side axle .....	1	G3LCS, G80CS	...
021872	... Ball bearing, inner, for driving side axle, 1 in. by $2\frac{1}{2}$ in. by $\frac{5}{8}$ in. ....	1	All	...
017191	... Ball bearing, outer, for driving side axle, 1 in. by $2\frac{1}{4}$ in. by $\frac{5}{8}$ in. ....	1	All	...
021859	... Washer, spacing, between ball bearings .....	1	All	...
000651	... Bush, for exhaust cam, in crankcase .....	1	All	...
000652	... Bush, for exhaust cam, in timing cover .....	1	All	...
000651	... Bush, for inlet cam, in crankcase .....	1	All	...
000651	... Bush, for inlet cam, in timing cover .....	1	All	...

### CRANKCASE BOLTS.

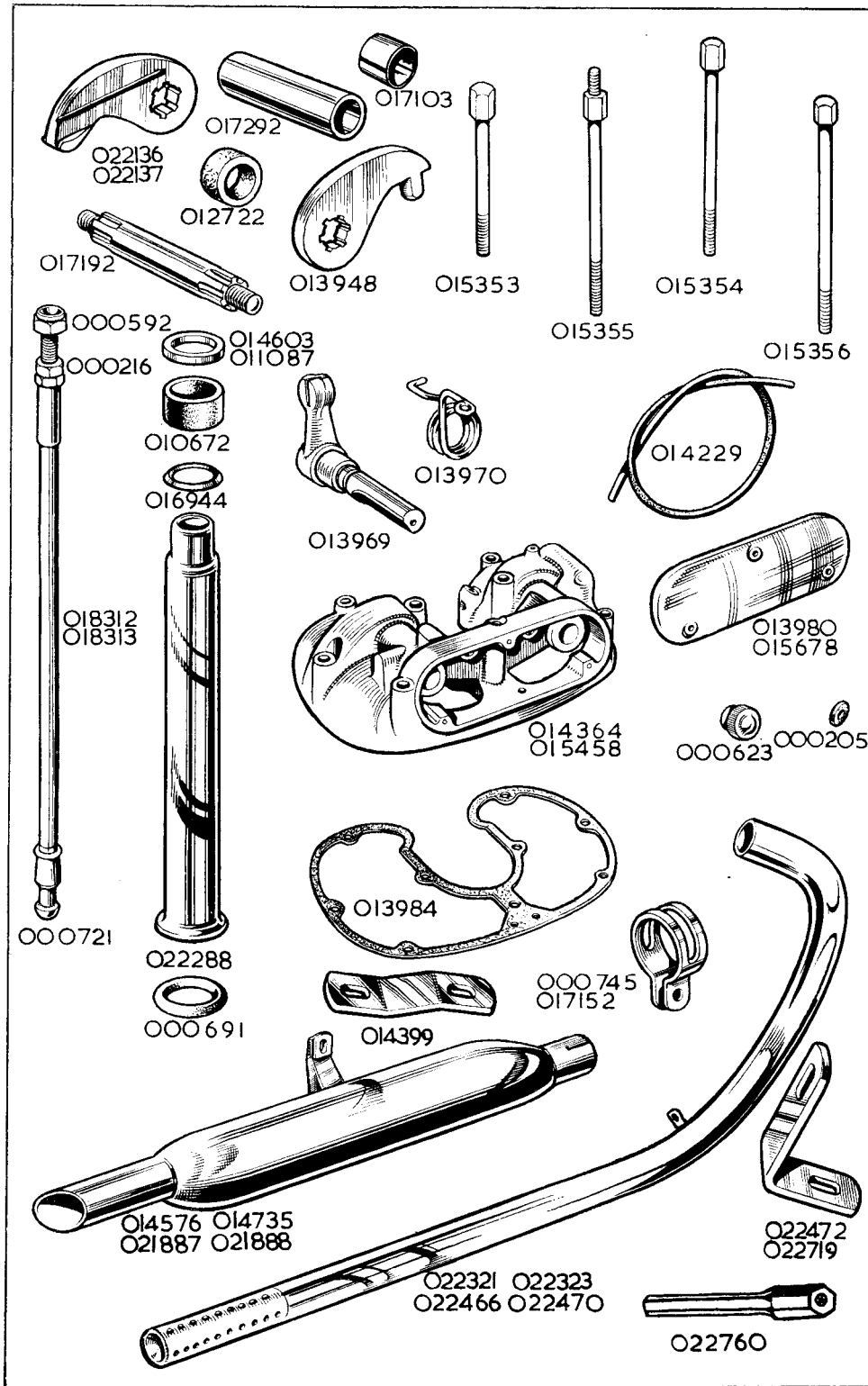
010824	... Stud, front, top position, $6\frac{9}{32}$ ins. by $\frac{5}{16}$ in. by 26 and 26	1	All	...
000278	... Stud, front, centre position, $4\frac{9}{16}$ ins. by $\frac{5}{16}$ in. by 26 and 26	1	All	...
000277	... Stud, front, bottom position, $4\frac{9}{8}$ ins. by $\frac{5}{16}$ in. by 26 and 26	1	All	...
C00278	... Stud, bottom, rear position, $4\frac{9}{16}$ ins. by $\frac{5}{16}$ in. by 26 and 26	1	All	...

For the "Stud, bottom, front position" (which also unites the front and rear frames) see FRAME.



PART NUMBER.	DESCRIPTION.	QTY.	USED ON.	PRICE EACH £ s. d.
<b>CRANKCASE BOLTS—continued.</b>				
000278	Stud, rear, top position, $4\frac{5}{16}$ ins. by $\frac{5}{16}$ in. by 26 and 26 For the "Stud, rear, centre position," see "000316 stud, fixing centre of chaincase," in FRONT CHAINCASE.	1	All	...
014147	Bolt, rear, bottom position, $4\frac{5}{16}$ ins. by $\frac{5}{16}$ in. by 26...	1	All	...
000011	Washer, plain, for $\frac{5}{16}$ in. studs and bolt.....	8	All	...
000004	Nut, $\frac{5}{16}$ in. by 26, for all $\frac{5}{16}$ in. studs and bolt .....	11	All	...
<b>OIL PUMP.</b>				
012967	Plunger, oil pump .....	1	All	...
010138	Screw, guide, oil pump plunger .....	1	All	...
010079	Pin, guide screw, oil pump plunger.....	1	All	...
000773	Cap, front end, oil pump .....	1	All	...
000772	Cap, rear end, oil pump .....	1	All	...
000582	Washer, paper, pump end cap.....	2	All	...
000015	Screw, fixing front end cap, oil pump, $\frac{3}{8}$ in. by 3.BA ...	4	All	...
000591	Bolt, fixing rear end cap, oil pump, $\frac{5}{16}$ in. by 3.BA .....	4	All	...
<b>RELEASE VALVE.</b>				
000836	Body, release valve.....	1	All	...
000835	Diaphragm, for release valve .....	1	All	...
<b>TIMING GEAR.</b>				
022565	Camshaft, exhaust .....	1	G3LS, G80S	...
022566	Camshaft, exhaust .....	1	G3LCT	...
022567	Camshaft, exhaust .....	1	G3LCS, G80CS	...
016847	Washer, shim, .005 in. thick, for exhaust camshaft .....	R	All	...
016848	Washer, shim, .010 in. thick, for exhaust camshaft .....	R	All	...
012695	Camshaft, inlet .....	1	G3LS, G80S	...
010836	Camshaft, inlet .....	1	G3LCT	...
018833	Camshaft, inlet .....	1	G3LCS, G80CS	...
017195	Pinion, timing, on flywheel axle .....	1	All	...
000570	Key, for timing pinion .....	1	All	...
000221	Nut, retaining timing pinion to axle (left hand thread)	1	All	...
<b>TAPPETS.</b>				
010950	Tappet, bare.....	2	All	...
010944	Guide, for tappet .....	2	G3LS, G3LCT, G80S	...
022513	Guide, for tappet .....	2	G3LCS, G80CS	...
022514	Screw, for tappet guide.....	2	G3LCS, G80CS	...
<b>PUSH RODS.</b>				
018314	Rod, long, push, complete (8) .....	2	G3LS, G3LCT, G3LCS, G80S	...
018315	Rod, long, push, complete (8) .....	2	G80CS...	...
018168	Rod, long, push, bare.....	2	G3LS, G3LCT, G3LCS, G80S	...
015511	Rod, long, push, bare.....	2	G80CS...	...
000721	End, ball, bottom of long push rod .....	2	All	...
018266	Sleeve, tapped, top of long push rod .....	2	All	...
000592	Screw, adjusting, top of long push rod .....	2	All	...
000216	Nut, push rod adjusting screw.....	2	All	...
Note 8	"ROD, LONG, PUSH, COMPLETE" comprises—one long push rod with sleeve end, one bottom, ball end and one adjusting screw with lock nut.			
<b>PUSH ROD COVER TUBES.</b>				
022288	Tube, cover, for long push rod .....	2	G3LS, G3LCT, G80S	...
010672	Gasket, rubber, top of cover tube .....	2	G3LS, G3LCT, G80S	...
016944	Washer, metal, $\frac{3}{16}$ in. thick, located below 010672 .....	2	G3LS, G3LCT, G80S	...
011087	Washer, metal, $\frac{3}{16}$ in. thick, located over 010672.....	2	G3LS, G3LCT, G80S	...
011087	Washer, metal, $\frac{3}{16}$ in. thick, located over 010672 when compression plate fitted (two in each location) .....	4	G3LS, G3LCT	...
014603	Washer, metal, $\frac{1}{8}$ in. thick, located over 010672 when compression plate fitted .....	2	G80S	...

PART NUMBER.	DESCRIPTION.	QTY.	USED ON.	PRICE EACH £ s. d.
<b>PUSH ROD COVER TUBES—continued.</b>				
222518 ...	Oil seal, push rod tunnel, upper .....	2	G3LCS, G80CS	
000691 ...	Gland, rubber, bottom of cover tube.....	2	G3LS, G3LCT, G80S ...	
000691 ...	Gland, rubber, push rod tunnel, lower .....	2	G3LCS, G80CS	
<b>ROCKER BOX.</b>				
022142 ...	Rocker Box, assembled (1) .....	1	G3LS, G80S ...	
022143 ...	Rocker box, assembled (10) .....	1	G3LCT, G3LCS G80CS... ..	
014364 ...	Rocker box, with bushes (11) .....	1	G3LS, G80S ...	
015458 ...	Rocker box, with bushes (11) .....	1	G3LCT, G3LCS, G80CS... ..	
013958 ...	Rocker box, bare .....	1	G3LS, G80S ...	
015422 ...	Rocker box, bare .....	1	G3LCT, G3LCS, G80CS... ..	
013984 ...	Gasket, for rocker box .....	1	All ... ..	
017103 ...	Bush, for rocker box .....	4	All ... ..	
013980 ...	Cover, side, for rocker box .....	1	G3LS, G80S	
015678 ...	Cover, side, for rocker box .....	1	G3LCT, G3LCS, G80CS... ..	
018890 ...	Plugs, metering .....	3	All ... ..	
014229 ...	Fillet, rubber, rocker box side cover .....	1	All ... ..	
000251 ...	Stud, fixing rocker box side cover .....	3	All ... ..	
000623 ...	Nut, for rocker box side cover stud .....	3	All ... ..	
000205 ...	Washer, fibre, for rocker box side cover stud .....	3	All ... ..	
000508 ...	Union, oil, in Rocker box.....	1	All ... ..	
015353 ...	Bolt, fixing rocker box, short, $1\frac{1}{8}$ in. by $\frac{5}{16}$ in. by 22...	4	All ... ..	
015354 ...	Bolt, fixing rocker box, long, $2\frac{1}{8}$ ins. by $\frac{5}{16}$ in. by 22...	2	All ... ..	
015355 ...	Bolt, fixing rocker box, long, $2\frac{3}{8}$ ins. by $\frac{5}{16}$ in. by 22 with extension $\frac{5}{16}$ in. by 26 .....	2	G3LS, G3LCS, G80S, G80CS G3LCT ... ..	
021444 ...	Bolt, fixing rocker box, with extension.....	2	G3LCT ... ..	
015356 ...	Bolt, fixing rocker box, centre position, $3\frac{5}{16}$ ins. by $\frac{5}{16}$ in. by 22 .....	1	All ... ..	
000011 ...	Washer, plain, rocker box fixing bolts .....	9	All ... ..	
Note 10 ...	Includes all parts listed in this paragraph (except gasket, fixing bolts and washers), and all those listed under "OVERHEAD ROCKERS" and "EXHAUST VALVE LIFTER".			
Note 11 ...	This is a "bare" rocker box to which is fitted four 017103 bushes, two 012722 felt rings and oil metering plugs 018890.			
<b>OVERHEAD ROCKERS.</b>				
017192 ...	Axle, rocker.....	2	All ... ..	
017292 ...	Sleeve, for rocker axle .....	2	All ... ..	
022136 ...	Arm, rocker, valve end, inlet .....	1	All ... ..	
022137 ...	Arm, rocker, valve end, exhaust .....	1	All ... ..	
013948 ...	Arm, rocker, tappet end, inlet and exhaust .....	2	All ... ..	
000010 ...	Washer, plain, for rocker axle.....	4	All ... ..	
000003 ...	Nut, for rocker axle .....	4	All ... ..	
012722 ...	Ring, felt, for rocker axle sleeve .....	2	All ... ..	
<b>EXHAUST VALVE LIFTER.</b>				
013969 ...	Lever, exhaust lifter .....	1	All ... ..	
014523 ...	Ring, sealing, for valve lifter lever .....	1	All ... ..	
013970 ...	Spring, for valve lifter lever .....	1	All ... ..	
000451 ...	Screw, anchor valve lifter spring, $\frac{1}{2}$ in. by 2.BA .....	1	All ... ..	
000039 ...	Washer, plain valve lifter spring screw .....	1	All ... ..	
<b>ROCKER BOX STAY.</b>				
014373 ...	Stay, for rocker box .....	1	All ... ..	
000004 ...	Nut, fixing stay to rocker box bolt extension .....	2	All ... ..	
000011 ...	Washer, plain, rocker box bolt extension.....	2	All ... ..	
010970 ...	Clip, for rocker box stay .....	1	G3LS, G80S ...	
021365 ...	Clip, for rocker box stay .....	1	G3LCT, G3LCS, G80CS... ..	



PART NUMBER.	DESCRIPTION.	QTY.	USED ON.	PRICE EACH £ s. d.
<b>ROCKER BOX STAY—continued</b>				
000364 ...	Bolt, for rocker box stay clip, $\frac{1}{16}$ in. by $\frac{5}{16}$ in. by 26.....	1	All ...	...
000011 ...	Washer, plain, rocker box stay clip bolt .....	1	All ...	...
000004 ...	Nut, rocker box stay clip bolt.....	1	All ...	...
000011 ...	Washer, rocker box stay .....	R.	All ...	...

### GASKETS.

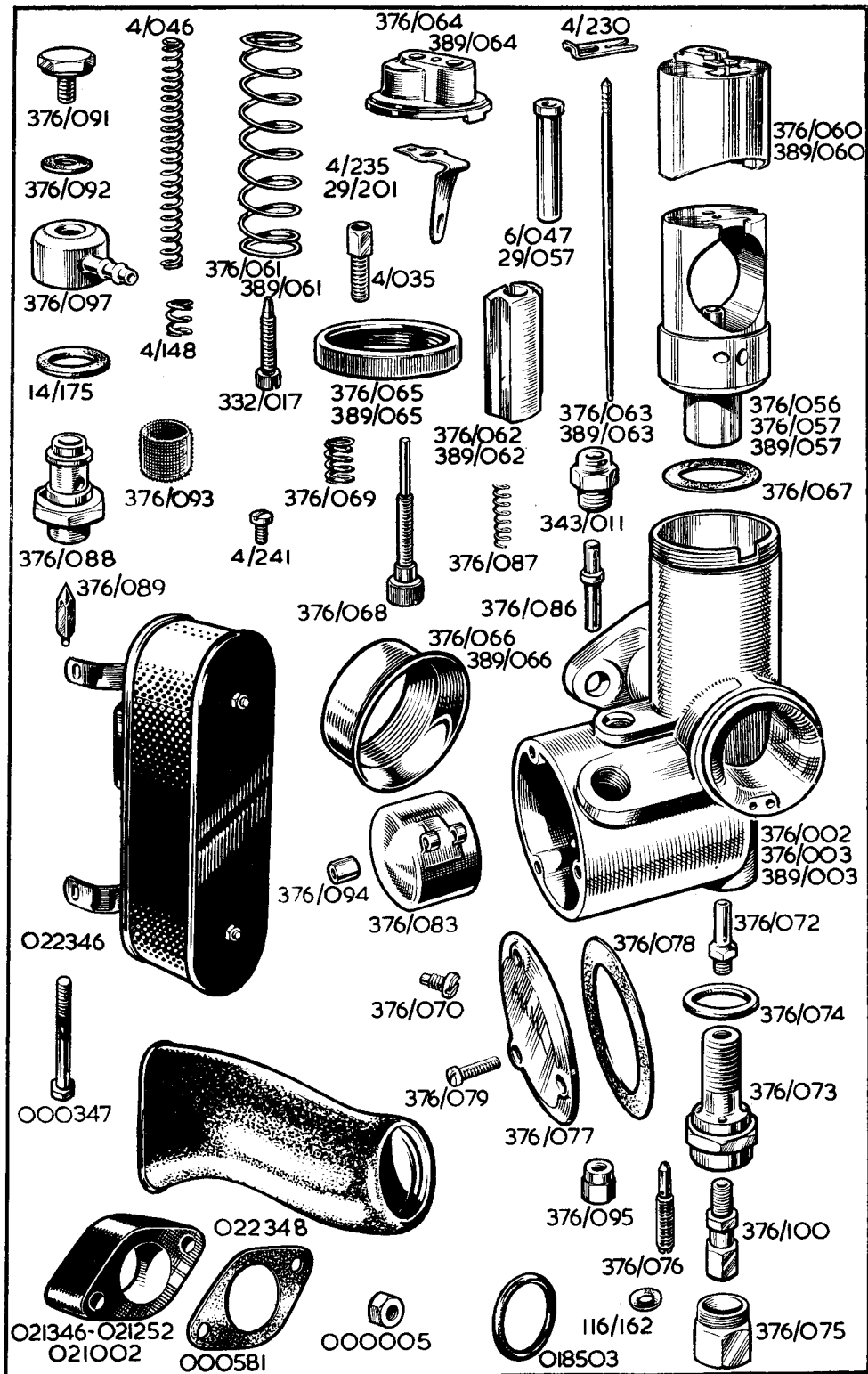
Engine gaskets are supplied as separate spares and in complete sets.  
Single gaskets are listed in the groups to which they belong.  
Gaskets in sets are listed on page 54.

## EXHAUST PIPE AND SILENCER SECTION

PART NUMBER.	DESCRIPTION.	QTY.	USED ON.	PRICE EACH £ s. d.
<b>EXHAUST PIPES.</b>				
022321 ...	Pipe, exhaust, bare.....	1	G3LS ...	...
022466 ...	Pipe, exhaust, bare.....	1	G3LCT, G3LCS	...
022323 ...	Pipe, exhaust, bare.....	1	G80S ...	...
022470 ...	Pipe, exhaust, bare.....	1	G80CS... ..	...
016467 ...	Pipe, extension, for exhaust pipe (12) .....	1	G3LCT, G3LCS	...
016466 ...	Pipe, extension, for exhaust pipe (12) .....	1	G80CS... ..	...
022472 ...	Stay, for exhaust pipe .....	1	G3LCT ...	...
022719 ...	Stay, for exhaust pipe .....	1	G3LCS, G80CS	...
022760 ...	Support, for exhaust pipe.....	1	G3LS, G80S ...	...
000362 ...	Bolt, for exhaust pipe support.....	1	G3LS, G80S ...	...
000174 ...	Washer, for support bolt .....	1	G3LS, G80S ...	...
000192 ...	Washer, spring, for support bolt.....	1	G3LS, G80S ...	...
000004 ...	Nut, fixing exhaust pipe to stay .....	1	G3LCT, G3LCS, G80CS... ..	...
000011 ...	Washer, plain stay, fixing nut .....	1	G3LCT, G3LCS, G80CS... ..	...
014760 ...	Baffle, for exhaust pipe .....	1	G3LCT, G3LCS	...
Note 12 ...	This is an optional extra, and fits in place of the standard silencer.			

### SILENCER.

021887 ...	Silencer, bare .....	1	G3LS ...	...
014735 ...	Silencer, bare .....	1	G3LCT, G3LCS	...
021888 ...	Silencer, bare .....	1	G80S ...	...
014576 ...	Silencer, bare .....	1	G80CS... ..	...
017152 ...	Clip, clamping silencer to exhaust pipe .....	1	G3LS, G3LCT, G3LCS... ..	...
000745 ...	Clip, clamping silencer to exhaust pipe .....	1	G80S, G80CS... ..	...
000363 ...	Bolt, for silencer clip, $\frac{3}{16}$ in. by $\frac{5}{16}$ in. by 26 .....	1	All ...	...
000174 ...	Washer, plain, silencer clip bolt .....	1	All ...	...
000004 ...	Nut, for silencer clip bolt.....	1	All ...	...
014399 ...	Stay, for silencer.....	1	G3LCT, G3LCS, G80CS... ..	...
000004 ...	Nut, fixing silencer to stay .....	1	G3LCT, G3LCS, G80CS... ..	...
000174 ...	Washer, plain, silencer stay fixing nut .....	1	G3LCT, G3LCS, G80CS... ..	...
000192 ...	Washer, spring, silencer stay fixing nut.....	1	G3LCT, G3LCS, G80CS... ..	...
000363 ...	Bolt, fixing stay to frame .....	1	All ...	...
000011 ...	Washer, stay fixing bolt .....	1	All ...	...
000192 ...	Washer, spring, stay fixing bolt .....	1	All ...	...



## CARBURETTER SECTION

PART NUMBER.	DESCRIPTION.	QTY.	USED ON.	PRICE EACH £ s. d.
<b>CARBURETTER AND PARTS</b>				
021873 ...	Carburetter, complete, less controls (type 376/5) .....	1	G3LS ...	...
022830 ...	Carburetter, complete, less controls (type 376/5) .....	1	G3LCT ...	...
022722 ...	Carburetter, complete, less controls (type 376/55).....	1	G3LCS ...	...
021874 ...	Carburetter, complete, less controls (type 389/1) .....	1	G80S ...	...
022652 ...	Carburetter, complete, less controls (type 389/12).....	1	G80CS...	...
021346 ...	Spacer, for carburetter, $\frac{3}{4}$ in. wide, $1\frac{1}{16}$ in. bore .....	1	G3LS, G3LCT, G3LCS	...
021252 ...	Spacer, for carburetter, $\frac{3}{4}$ in. wide, $1\frac{5}{32}$ in. bore .....	1	G80S ...	...
021002 ...	Spacer, for carburetter, $\frac{3}{4}$ in. wide, $1\frac{3}{16}$ in. bore .....	1	G80CS...	...
000581 ...	Gasket, for carburetter spacer.....	1	All ...	...
018503 ...	Ring, sealing, between carburetter and spacer.....	1	All ...	...
376-003 ...	Body, for carburetter.....	1	G3LS, G3LCT	...
376-003 ...	Body, for carburetter.....	1	G3LCS	...
389-003 ...	Body, for carburetter.....	1	G80S ...	...
389-004 ...	Body, for carburetter.....	1	G80CS...	...
376-077 ...	Side cover.....	1	All ...	...
376-078 ...	Side cover jointing washer .....	1	All ...	...
376-079 ...	Side cover screw.....	3	All ...	...
376-083 ...	Float .....	1	All ...	...
376-094 ...	Bush, for float spindle .....	1	All ...	...
376-089 ...	Float needle.....	1	All ...	...
376-088 ...	Float needle seating .....	1	All ...	...
376-065 ...	Mixing chamber cap securing ring .....	1	G3LS, G3LCT, G3LCS	...
389-065 ...	Mixing chamber cap securing ring .....	1	G80S, G80CS...	...
4-235 ...	Mixing chamber cap securing ring spring .....	1	G3LS, G3LCT, G3LCS	...
29-201 ...	Mixing chamber cap securing ring spring .....	1	G80S, G80CS...	...
4-241 ...	Screw securing fixing cap ring spring.....	1	All ...	...
376-064 ...	Mixing chamber cap .....	1	G3LS, G3LCT, G3LCS	...
389-064 ...	Mixing chamber cap .....	1	G80S, G80CS...	...
4-035 ...	Control cable adjuster .....	2	All ...	...
376-062 ...	Air valve .....	1	G3LS, G3LCT, G3LCS	...
389-062 ...	Air valve .....	1	G80S, G80CS...	...
6-047 ...	Air valve guide .....	1	G3LS, G3LCT, G3LCS	...
29-057 ...	Air valve guide .....	1	G80S, G80CS...	...
376-060 ...	Throttle valve (state size when ordering).....	1	G3LS, G3LCT, G3LCS	...
389-060 ...	Throttle valve (state size when ordering).....	1	G80S, G80CS...	...
4-046 ...	Air valve spring .....	1	All ...	...
376-061 ...	Throttle valve spring.....	1	G3LS, G3LCT, G3LCS	...
389-061 ...	Throttle valve spring.....	1	G80S, G80CS...	...
376-068 ...	Throttle stop screw .....	1	All ...	...
376-069 ...	Throttle stop screw spring .....	1	All ...	...
332-017 ...	Pilot air adjusting screw .....	1	All ...	...
4-148 ...	Pilot air adjusting screw spring .....	1	All ...	...
376-063 ...	Taper jet needle .....	1	G3LS, G3LCT, G3LCS	...
389-063 ...	Taper jet needle .....	1	G80S, G80CS...	...
4-230 ...	Taper needle clip .....	1	All ...	...
376-072 ...	Needle jet .....	1	All ...	...
376-100 ...	Main jet (specify size when ordering).....	1	All ...	...
376-073 ...	Main jet holder .....	1	All ...	...
376-074 ...	Jet holder washer .....	1	All ...	...
376-075 ...	Main jet cover.....	1	All ...	...
376-076 ...	Pilot jet.....	1	All ...	...
376-095 ...	Pilot jet cover nut .....	1	All ...	...
116-162 ...	Pilot jet cover nut washer.....	1	All ...	...
376-057 ...	Jet block complete.....	1	G3LS, G3LCT	...
376-057 ...	Jet block complete.....	1	G3LCS	...
389-057 ...	Jet block complete.....	1	G80S ...	...
389-058 ...	Jet block complete.....	1	G80CS...	...



PART NUMBER.	DESCRIPTION.	QTY.	USED ON.	PRICE EACH £ s. d.
--------------	--------------	------	----------	-----------------------

### CARBURETTER AND PARTS—*continued.*

376-067	... Jet Block washer.....		All ...	...
376-070	... Locating peg for jet block.....		All ...	...
376-097	... Petrol pipe banjo .....		All ...	...
376-091	... Petrol pipe banjo bolt .....		All ...	...
376-092	... Petrol pipe banjo bolt washer .....		All ...	...
14-175	... Banjo seating washer .....		All ...	...
376-093	... Filter gauze .....		All ...	...
343-011	... Tickler body .....		All ...	...
376-086	... Tickler plunger .....		All ...	...
376-087	... Tickler spring .....		All ...	...
376-066	... Air intake venturi .....		G3LS, G3LCT, G3LCS	...
389-066	... Air intake venturi .....		G80S, G80CS...	...

### AIR CLEANER. (This is optional extra equipment).

022346	... Cleaner, air .....		G3LS, G80S	...
022128	... Cleaner, air .....		G3LCT, G3LCS,	...
022348	... Adaptor, for air cleaner.....		G3LS, G80S	...
022129	... Adaptor, for air cleaner.....		G3LCT, G3LCS	...
022130	... Adaptor, for air cleaner.....		G80CS...	...
000347	... Bolt, fixing air cleaner .....		G3LS, G80S	...
000012	... Washer, for fixing bolt .....		G3LS, G80S	...
000005	... Nut, for fixing bolt.....		G3LS, G80S	...
016983	... Set of air cleaner elements, comprising—filter element and two end gaskets .....		G3LS, G80S	...

When an AIR CLEANER is fitted it is essential to :—

Fit a smaller jet, viz. :—

for G3LS, G3LCT	use jet 376/100 (size 200) ...	
for G3LCS,	use jet 376/100 (size 230) ...	
for G80S	use jet 376/100 (size 250) ...	
for G80CS	use jet 376/100 (size 440) ...	

## TRANSMISSION SECTION

PART NUMBER.	DESCRIPTION.	QTY.	USED ON.	PRICE EACH £ s. d.
--------------	--------------	------	----------	-----------------------

### ENGINE SPROCKET.

014016	... Sprocket, engine, bare, 16 teeth .....		G3LCT, G3LCS	...
014018	... Sprocket, engine, bare, 18 teeth .....		G3LS, G80CS	...
014021	... Sprocket, engine, bare, 21 teeth .....		G80S	...
021877	... Spacer, collar, for engine sprocket .....		All	...
000703	... Spring, engine shock absorber.....		All	...
000830	... Cam, engine shock absorber.....		All	...
000831	... Cap, engine shock absorber spring .....		All	...
000610	... Nut, lock engine shock absorber.....		All	...
012444	... Washer, felt, between engine sprocket and crankcase ...		G3LCT, G3LCS, G80CS...	...
021117	... Cage, for felt washer .....		G3LCT, G3LCS, G80CS...	...

The following alternative engine sprockets can be supplied.

014015	... Sprocket, engine, bare, 15 teeth .....		All	...
014017	... Sprocket, engine, bare, 17 teeth .....		All	...
014019	... Sprocket, engine, bare, 19 teeth .....		All	...
014020	... Sprocket, engine, bare, 20 teeth .....		All	...

PART NUMBER.	DESCRIPTION.	QTY.	USED ON.	PRICE EACH £ s. d.
--------------	--------------	------	----------	-----------------------

### MAGNETO DRIVING SPROCKETS.

000727	... Sprocket, magneto, on engine camshaft.....	1	All ... ..	
000011	... Washer, plain, for camshaft sprocket.....	1	All ... ..	
000004	... Nut, retaining, for camshaft sprocket.....	1	All ... ..	
000726	... Sprocket, magneto, on armature shaft .....	1	G3LCT, G3LCS, G80CS... ..	
140074	... Washer, plain, for armature sprocket.....	1	G3LCT, G3LCS, G80CS... ..	
171284	... Nut, retaining, for armature sprocket .....	1	G3LCT, G3LCS, G80CS... ..	
021680	... Sprocket and automatic advance unit w/fixing bolt.....	1	G3LS ... ..	
021354	... Sprocket and automatic advance unit w/fixing bolt.....	1	G80S ... ..	

### DYNAMO SPROCKET.

000725	... Sprocket, on dynamo shaft .....	1	All ... ..	
000572	... Key, for dynamo sprocket.....	1	All ... ..	
000010	... Washer, plain, for dynamo sprocket nut .....	1	All ... ..	
000164	... Washer, lock, for dynamo sprocket nut.....	1	All ... ..	
000708	... Ring, lock, for dynamo sprocket nut .....	1	All ... ..	
000611	... Nut, retaining, for dynamo sprocket .....	1	All ... ..	

### GEAR BOX.

016708	... Gearbox, complete, with four plate clutch, foot gear lever, and kick-starter lever.....	1	G3LS ... ..	★
016709	... Gearbox, complete, with five plate clutch, foot gear lever, and kick-starter lever.....	1	G80S ... ..	★
018981	... Gearbox, complete, with five plate clutch, foot gear lever and kick-starter lever .....	1	G3LCT ... ..	★
016711	... Gearbox, complete, with five plate clutch, foot gear lever and kick-starter lever .....	1	G3LCS, G80CS	★

★ Price on application.

### CHAINS.

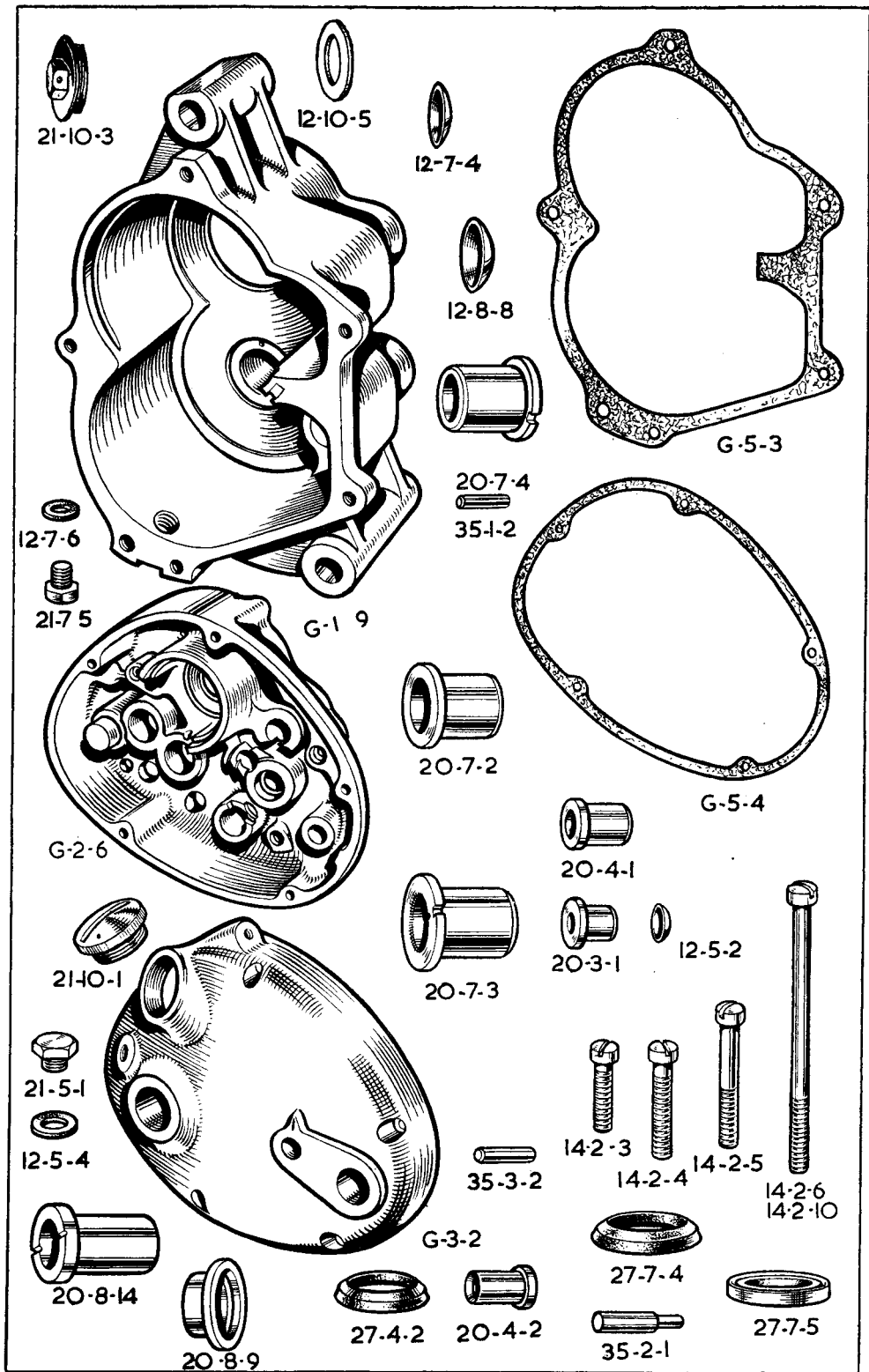
017381	... Chain, front, 65 links, $\frac{1}{2}$ in. by .305 in. (13) .....	1	G3LCT, G3LCS	
017298	... Chain, front, 66 links, $\frac{1}{2}$ in. by .305 in. (13) .....	1	G3LS, G80CS	
017299	... Chain, front, 67 links, $\frac{1}{2}$ in. by .305 in. (13) .....	1	G80S ... ..	
017376	... Chain, rear, 98 links, $\frac{5}{8}$ in. by .380 in. (13) .....	1	G3LS, G80S ...	
017375	... Chain, rear, 96 links, $\frac{5}{8}$ in. by .380 in. (13) .....	1	G3LCT, G3LCS, G80CS... ..	
017296	... Chain, dynamo, 49 links, $\frac{3}{8}$ in. by .225 in. (14) .....	1	All ... ..	
017294	... Chain, magneto, 46 links, $\frac{3}{8}$ in. by .225 in. (14) .....	1	All ... ..	
110046-26	Link, connecting, for $\frac{1}{2}$ in. chains.....	R	All ... ..	
110056-26	Link, connecting, for $\frac{5}{8}$ in. chains.....	R	All ... ..	
110046-30	Link, cranked, for $\frac{1}{2}$ in. chains .....	R	All ... ..	
110056-30	Link, cranked, for $\frac{5}{8}$ in. chains .....	R	All ... ..	
110046-27	Clip, spring, for $\frac{1}{2}$ in. connecting links .....	R	All ... ..	
110056-27	Clip, spring, for $\frac{5}{8}$ in. connecting links .....	R	All ... ..	

Note 13 ... The prices of front and rear chains include spring connecting links, and these are also included in the number of links per chain. We do not sell odd lengths of chain.

Note 14 ... Magneto and dynamo chains are endless. We do not sell connecting and cranked links for same.

### GEAR BOX FIXING PARTS.

022509	... Bolt, gear box top fitting .....	1	All ... ..	
000318	... Stud, gearbox bottom fixing, $4\frac{9}{16}$ ins. by $\frac{7}{16}$ in. by 26... ..	1	All ... ..	
000002	... Nut, for gearbox top fixing bolt .....	1	All ... ..	
000002	... Nut, for gearbox bottom fixing stud .....	2	All ... ..	
000177	... Washer, plain for top fixing bolt.....	2	All ... ..	
022595	... Eye-bolt, for front chain adjustment .....	1	All ... ..	
000004	... Nut, for front chain adjustment eye-bolt .....	1	All ... ..	
022504	... Crosshead, for front chain adjuster eye-bolt.....	1	All ... ..	
000402	... Bolt, fixing crosshead to engine plate.....	1	All ... ..	
000010	... Washer, plain, for crosshead fixing bolt.....	1	All ... ..	



PART NUMBER.	DESCRIPTION.	QTY.	USED ON.	PRICE EACH £ s. d.
<b>GEAR BOX SHELL.</b>				
G-1-9	Shell, gearbox	1	All	...
21-10-3	Inspection plug	1	All	...
12-10-5	Inspection plug washer	1	All	...
21-7-5	Plug, drain, for gearbox shell	1	All	...
12-7-6	Washer, fibre, for gearbox shell drain plug	1	All	...
12-7-4	Cap, in shell, covering bore for selector spindles	2	All	...
35-3-2	Pin, dowel, locating, kick-starter case on gearbox shell	1	All	...
G-2-6	Case, kick-starter	1	All	...
G-5-3	Washer, paper, between shell and kick-starter case	1	All	...
G-3-2	Cover, for kick-starter case	1	All	...
G-5-4	Washer, paper, between kick-starter case and cover	1	All	...
28-12-45	Piece, locating, between kick-starter case and cover	1	All	...
35-1-1	Pin, dowel, locating fixed cam-plate in kick-starter case	2	All	...
21-10-1	Cap, filler, for kick-starter case cover	1	All	...
21-5-1	Plug, oil level, in kick-starter case cover	1	All	...
12-5-4	Washer, fibre, for oil level plug	1	All	...
35-2-1	Pin, anchor, in cover, for kick-starter spring	1	All	...
14-2-3	Screw, $\frac{7}{8}$ in. under head	1	All	...
14-2-4	Screw, $1\frac{1}{8}$ in. under head	4	All	...
14-2-5	Screw, $1\frac{3}{8}$ in. under head	1	All	...
14-2-6	Screw, $2\frac{7}{8}$ ins. under head	1	All	...
14-2-10	Screw, $3\frac{1}{8}$ ins. under head	1	All	...
12-2-5	Fibre washer (fits under screwhead)	8	All	...

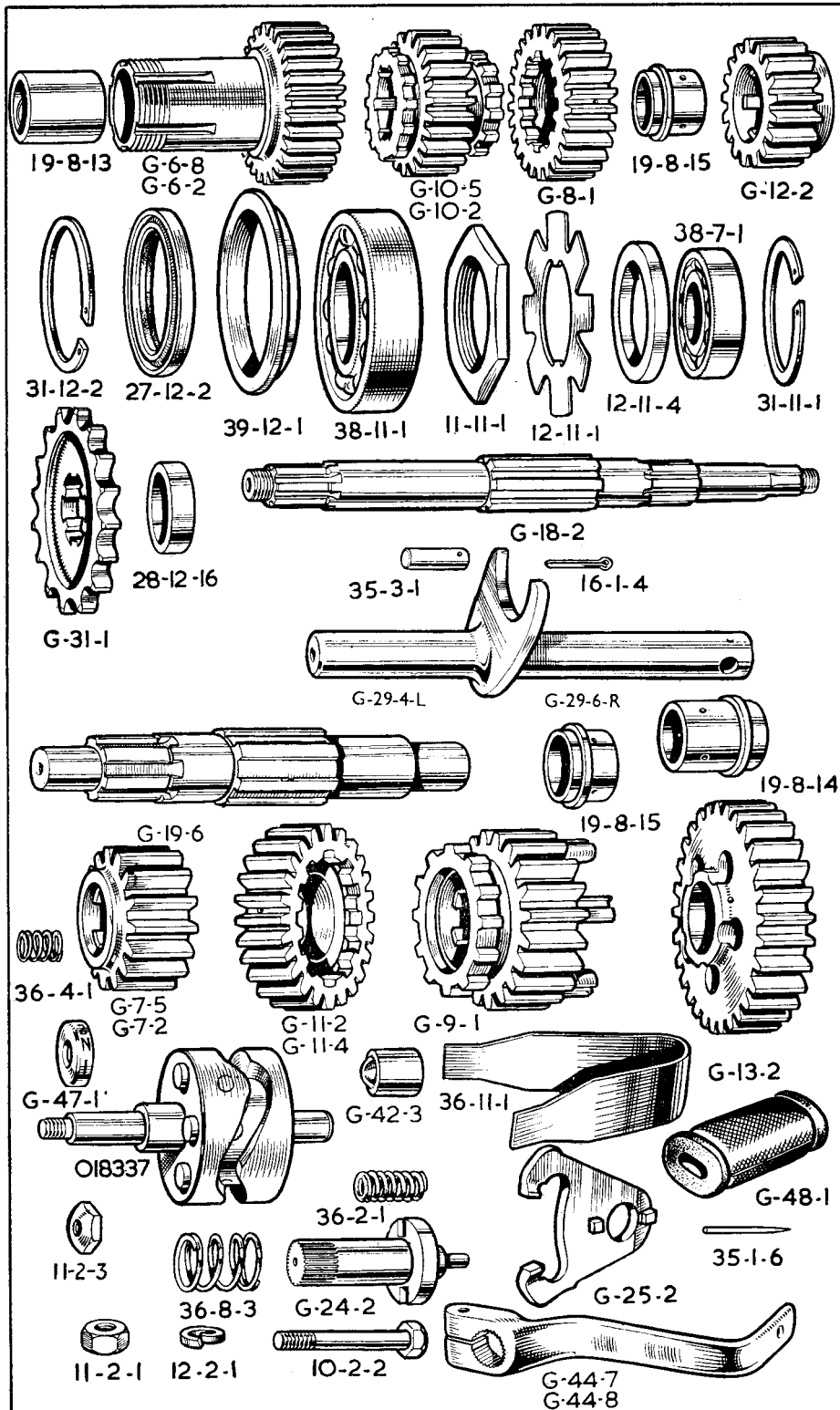
Above screws have cheese heads and are threaded  $\frac{1}{4}$  in. whit.

### SHAFTS AND GEARS.

G-18-2	Mainshaft, for gearbox	1	All	...
G-19-6	Layshaft, for gearbox (overall length $5\frac{1}{2}$ ins.)	1	All	...
G-6-2	Gear, driving, mainshaft, with bushes, 28 teeth	1	G3LS, G80S, G3LCS, G80CS	
G-6-8	Gear, driving, mainshaft, with bushes, 30 teeth	1	G3LCT	
G-12-2	Gear, first, mainshaft, 17 teeth	1	All	...
G-10-2	Gear, second, mainshaft, 22 teeth	1	G3LS, G80S, G3LCS, G80CS	
G-10-5	Gear, second, mainshaft, 20 teeth	1	G3LCT	...
G-8-1	Gear, third, mainshaft, 25 teeth	1	All	...
G-7-2	Pinion, on layshaft, 18 teeth	1	G3LS, G80S, G3LCS, G80CS	
G-7-5	Pinion, on layshaft, 16 teeth	1	G3LCT	...
G-13-2	Gear, first, layshaft, with bush, 29 teeth	1	All	...
G-11-2	Gear, second, layshaft, with bush, 24 teeth	1	G3LS, G80S, G3LCS, G80CS	
G-11-4	Gear, second, layshaft, with bush, 26 teeth	1	G3LCT	...
G-9-1	Gear, third, layshaft, 21 teeth	1	All	...
19-8-13	Bush, for mainshaft driving gear	2	All	...
19-8-15	Bush, for mainshaft third gear	1	All	...
19-8-15	Bush, for layshaft second gear	1	All	...
19-8-14	Bush, for layshaft first gear	1	All	...

### GEARBOX BEARINGS, CAPS AND OIL-SEALS.

38-11-1	Bearing, ball, $1\frac{9}{32}$ in. by 62 mm. by 16 mm. for driving gear on mainshaft	1	All	...
27-12-2	Oil-seal, for driving gear bearing	1	All	...
39-12-1	Housing, for driving gear bearing oil-seal	1	All	...
31-12-2	Ring, split, retaining driving gear bearing	1	All	...
38-7-1	Bearing, ball, 17 mm. by 40 mm. by 12 mm. for mainshaft (kick-starter)	1	All	...
31-11-1	Ring, split, retaining mainshaft ball bearing	1	All	...
20-7-4	Bush, for layshaft (clutch end) (.968 in. long)	1	All	...
35-1-2	Pin, dowel, locating layshaft bush	1	All	...
12-8-8	Cap, in shell, covering bore, for layshaft	1	All	...
20-7-3	Bush, for layshaft (kick-starter end) (.779 in. long)	1	All	...
35-1-2	Pin, dowel, locating layshaft bush	1	All	...
20-7-2	Bush, in kick-starter case, for kick-starter spindle	1	All	...
20-8-14	Bush, in cover, for kick-starter spindle	1	All	...



PART NUMBER.	DESCRIPTION.	QTY.	USED ON.	PRICE EACH £ s. d.
--------------	--------------	------	----------	-----------------------

### GEARBOX BEARINGS, CAPS AND OIL-SEALS—*continued.*

27-7-5	Oil-seal, in cover bush, for kick-starter spindle	1	All	...
20-4-1	Bush, in kick-starter case, for cam spindle	1	All	...
20-4-2	Bush, kick-starter case cover	1	All	...
27-4-2	Oil-seal, in cover bush, for cam spindle	1	All	...
20-3-1	Bush, in kick-starter case, for control quadrant spindle	1	All	...
12-5-2	Cap, in kick-starter case, covering bore for control quadrant spindle	1	All	...
20-8-9	Bush, in cover, for control quadrant spindle	1	All	...
27-7-4	Oil-seal, in cover bush, for control quadrant spindle	1	All	...

### GEARBOX SMALL SPROCKET.

G-31-1	Sprocket, gearbox, 16 teeth by $\frac{5}{8}$ in. by .380 in.	1	All	...
28-12-16	Collar, spacing, gearbox sprocket, .435 in. wide	1	All	...
12-11-3	Spacer, $\frac{1}{16}$ in. thick	2	All	...
12-11-1	Washer, lock, for gearbox sprocket nut	1	All	...
11-11-1	Nut, fixing gearbox sprocket to driving gear	1	All	...
018494	Deflector, water, fits under nut 11-11-1	1	G3LCT, G3LCS, G3LCS, G80CS	...

### GEAR OPERATING PARTS.

G-29-4	Spindle and fork, gear selection, left	1	All	...
G-29-6	Spindle and fork, gear selection, right	1	All	...
35-3-1	Peg, for selector spindles	2	All	...
16-1-4	Pin, cotter, for selector spindle pegs	2	All	...
018337	Cam assembly	1	All	...

The cam assembly comprises :

1—G-27-2 Spindle.

1—G-28-1 Cam.

3—35-2-4 Pegs.

1—35-2-2 Locating pegs.

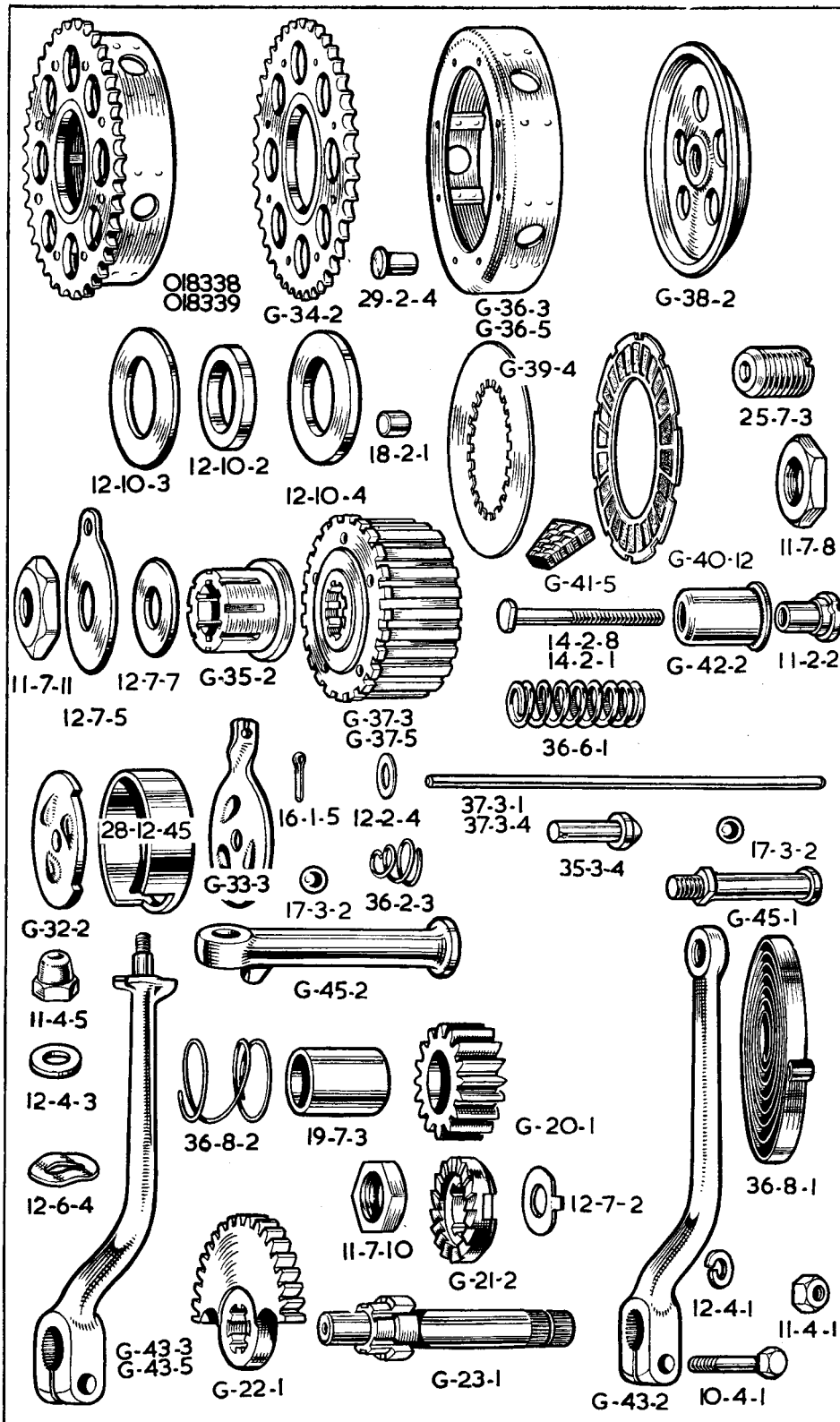
2—25-1-4 Cam stop pegs.

(Above parts not sold as separate spares)

G-42-3	Plunger, locating cam assembly	1	All	...
36-2-1	Spring, for cam assembly locating plunger	1	All	...
G-25-2	Quadrant, for control spindle	1	All	...
35-2-6	Peg, quadrant drive	1	All	...
G-24-2	Spindle, for gear control quadrant	1	All	...
36-11-1	Spring, primary, for control quadrant	1	All	...
36-8-3	Spring, secondary, for control quadrant	1	All	...
G-47-1	Indicator	1	All	...
36-4-1	Spring under indicator	1	All	...
11-2-3	Nut, retaining indicator	1	All	...
G-44-7	Lever, foot, for gear control	1	All	...
G-44-8	Lever, foot, gear control	1	G3LCS, G80CS	...
G-48-1	Pad, rubber, for gear foot lever	1	All	...
35-1-6	Pin, fixing gear foot lever rubber pad	1	All	...
10-2-2	Bolt, clamping gear foot lever	1	All	...
12-2-1	Washer, spring, for gear foot lever bolt	1	All	...
11-2-1	Nut, for gear lever bolt	1	All	...

### CLUTCH.

G-36-3	Case, for five plate clutch	1	All	...
29-2-4	Rivet, for clutch case and chainwheel	8	All	...
G-34-2	Chainwheel, 40 teeth by $\frac{1}{2}$ in. by .305 in.	1	All	...
018339	Case and chainwheel, assembled	1	All	...
G-35-2	Sleeve, for mainshaft	1	All	...
12-10-2	Race, roller, for clutch bearing chainwheel	1	All	...
18-2-1	Rollers, for chainwheel bearing	price per set of 24	All	...
12-10-3	Washer, thin, chainwheel bearing	1	All	...



PART NUMBER.	DESCRIPTION.	QTY.	USED ON.	PRICE EACH £ s. d.
--------------	--------------	------	----------	-----------------------

### CLUTCH—continued.

12-10-4	Washer, thick, chainwheel bearing.....	1	All	...
G-37-5	Centre, for four plate clutch .....	1	G3LS	...
G-37-3	Centre, for five plate clutch.....	1	All except G3LS	...
12-7-7	Washer, plain, for centre retaining nut.....	1	All	...
12-7-5	Washer, lock, for centre retaining nut .....	1	All	...
11-7-11	Nut, retaining clutch centre.....	1	All	...
G-39-4	Plate, clutch, plain, steel .....	5 or 6	All	...
G-40-12	Plate, clutch, friction, with inserts .....	4	G3LS	...
G-40-12	Plate, clutch, friction, with inserts .....	5	G3LCT, G80S, G80CS, G3LCS	...
G-41-5	Inserts, fabric, for friction plate.....price per dozen	96	G3LS	...
G-41-5	Inserts, fabric, for friction plate.....price per dozen	120	G3LCT, G80S, G80CS, G3LCS	...
G-38-2	Plate, clutch, spring pressure .....	1	All	...
25-7-3	Cup thrust, for spring pressure plate.....	1	All	...
11-7-8	Nut, lock, for pressure plate thrust cup .....	1	All	...
14-2-1	Stud, for clutch spring, 1½ in. long (four plate clutch)...	5	G3LS	...
14-2-8	Stud, for clutch spring, 2 ins. long (five plate clutch) ...	5	G3LCT, G80S, G80CS, G3LCS	...
36-6-1	Spring, for clutch .....	5	All	...
G-42-2	Cup, for clutch spring .....	5	All	...
11-2-2	Nut, adjusting, for clutch spring .....	5	All	...

### CLUTCH OPERATING PARTS.

37-3-4	Rod, thrust, 9 <sup>7</sup> / <sub>8</sub> ins. long (four plate clutch) .....	1	G3LS	...
37-3-1	Rod, thrust, 10 <sup>3</sup> / <sub>8</sub> ins. long (five plate clutch) .....	1	G3LCT, G80S, G80CS, G3LCS	...
17-3-2	Ball, 5 <sup>1</sup> / <sub>8</sub> in., steel, for clutch thrust rod .....	1	All	...
G-32-2	Cam-plate, fixed, actuating clutch .....	1	All	...
G-33-3	Cam-plate, moving, actuating clutch .....	1	All	...
35-3-4	Dowel, thrust (passes through both cam-plates) .....	1	All	...
12-2-4	Washer, plain, for cam-plate dowel.....	1	All	...
36-2-3	Spring, for cam-plate dowel .....	1	All	...
16-1-5	Pin, split, for cam-plate dowel.....	1	All	...
17-3-2	Ball, 5 <sup>1</sup> / <sub>8</sub> in., steel, for cam-plates .....	3	All	...

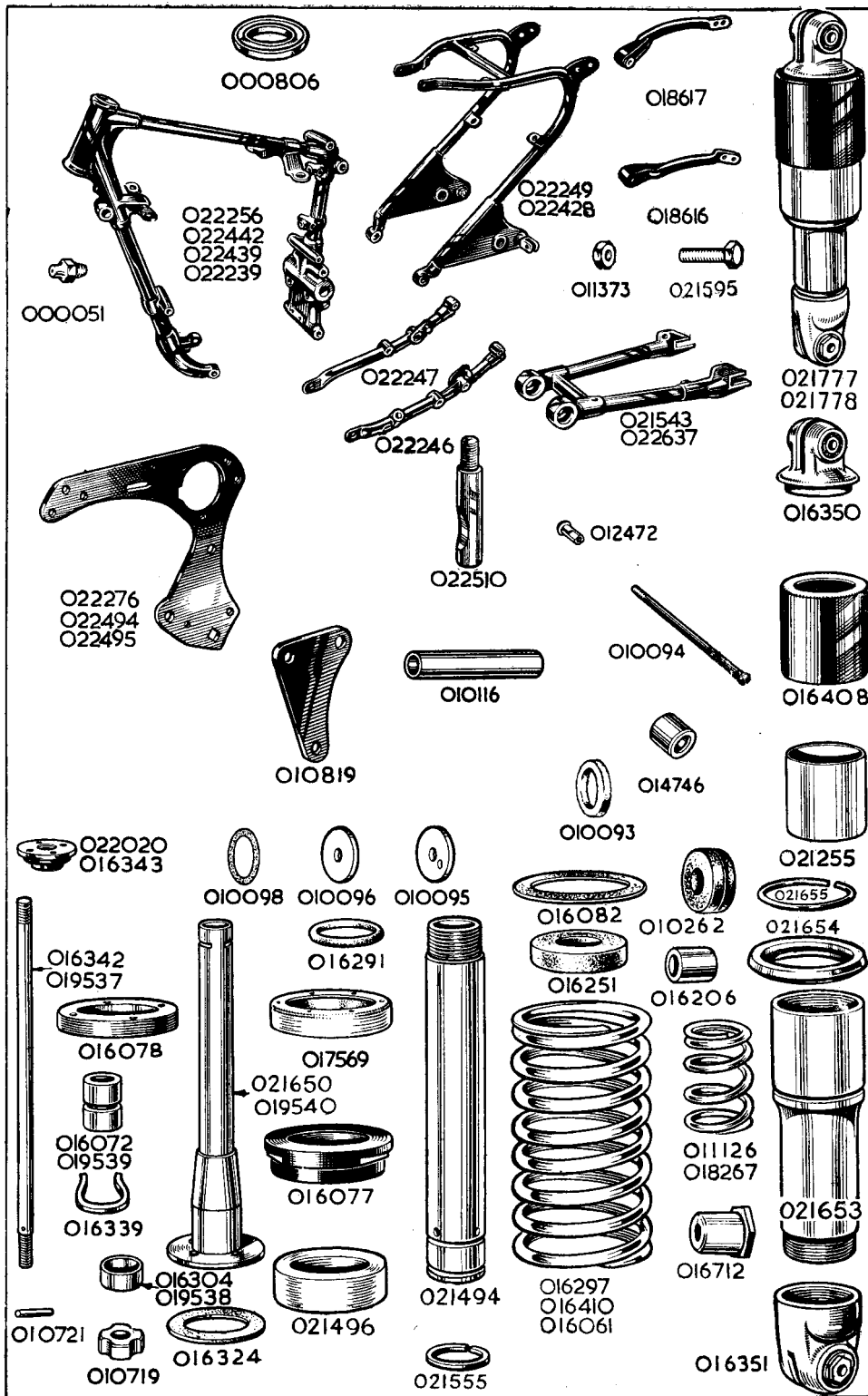
### KICK-STARTER.

G-21-2	Ratchet, driving, kick-starter .....	1	All	...
G-20-1	Pinion, ratchet, kick-starter .....	1	All	...
19-7-3	Bush, kick-starter ratchet pinion.....	1	All	...
36-8-2	Spring, kick-starter ratchet pinion .....	1	All	...
11-7-10	Nut, retaining ratchet driver to mainshaft.....	1	All	...
12-7-22	Washer, lock, for retaining nut .....	1	All	...
G-23-1	Spindle, for kick-starter quadrant .....	1	All	...
G-22-1	Quadrant, for kick-starter.....	1	All	...
018340	Kick-starter quadrant and spindle assembled .....	1	All	...
36-8-1	Spring, return, for kick-starter foot lever.....	1	All	...
G-43-2	Lever, foot, kick-starter, bare .....	1	G3LS, G80S	...
G-43-3	Lever, foot, kick-starter, bare .....	1	G3LCT	...
G-43-5	Lever, foot, kick-starter, bare .....	1	G3LCS, G80CS	...
G-45-1	Pin, pedal, rigid, for kick-starter lever .....	1	G3LS, G80S	...
G-45-2	Pin, pedal, folding, for kick-starter lever .....	1	G3LCT, G3LCS, G80CS...	...
11-4-5	Nut, retaining folding pin.....	1	G3LCT, G3LCS, G80CS...	...
12-4-3	Washer, plain, for pin retaining nut .....	1	G3LCT, G3LCS, G80CS...	...
12-6-4	Washer, spring, for pin retaining nut.....	1	G3LCT, G3LCS G80CS...	...
10-4-1	Bolt, clamping, kick-starter foot lever to spindle.....	1	All	...
12-4-1	Washer, spring, for foot lever clamping bolt .....	1	All	...
11-4-1	Nut, for foot lever clamping bolt.....	1	All	...



## FRAME SECTION

PART NUMBER.	DESCRIPTION.	QTY.	USED ON.	PRICE EACH £ s. d.
<b>FRONT FRAME.</b>				
022256	... Frame, front portion only, bare	1	G3LS, G80S	...
022442	... Frame, front portion only, bare	1	G3LCT	...
022439	... Frame, front portion only, bare	1	G3LCS, G80CS	...
000806	... Race, ball, for frame head lug	2	G3LS, G3LCS, G80S, G80CS	...
012594	... Race, ball, for frame head lug, top	1	G3LCT	...
012595	... Race, ball, for frame head lug, bottom	1	G3LCT	...
000072	... Balls, $\frac{3}{8}$ in. diameter, for steering head, per set of 56	56	All	...
000051	... Nipple, grease, for frame head lug	1	All	...
021768	... Stud, for seat lug (below saddle), $4\frac{7}{16}$ ins. by $\frac{1}{2}$ in. by 26	1	All	...
000008	... Washer, plain, seat lug stud	2	All	...
000001	... Nut, for seat lug stud	2	All	...
021084	... Stud, uniting front and rear frame, $6\frac{1}{8}$ ins. by $\frac{3}{8}$ in. by 26	1	G3LS, G80S	...
021917	... Stud, uniting front and rear frame, $6\frac{3}{8}$ ins. by $\frac{3}{8}$ in. by 26	1	G3LCT, G3LCS, G80CS	...
000010	... Washer, plain, for frame uniting stud	2	All	...
000003	... Nut, for frame uniting stud	2	All	...
<b>REAR FRAME.</b>				
022247	... Rail, frame, right side	1	All	...
022246	... Rail, frame, left side	1	All	...
022249	... Loop, rear frame	1	G3LS, G80S	...
022428	... Loop, rear frame	1	G3LCT, G3LCS, G80CS	...
022248	... Stud, for rear loop at bottom, $10\frac{5}{8}$ ins. by $\frac{7}{16}$ in. by 26 (Also passes through rear fork)	1	All	...
000009	... Washer, plain, rear loop stud	2	All	...
000002	... Nut, rear loop stud	1	All	...
018617	... Tube, supporting rear of rear mudguard, right side	1	G3LS, G80S	...
018616	... Tube, supporting rear of rear mudguard, left side	1	G3LS, G80S	...
000351	... Bolt, fixing mudguard to support tube, $\frac{13}{16}$ in. by $\frac{1}{4}$ in. by 26	2	G3LS, G80S	...
022549	... Washer, chrome, mudguard support tube bolt	2	G3LS, G80S	...
000191	... Washer, spring, mudguard support tube bolt	2	G3LS, G80S	...
000005	... Nut, for mudguard support tube bolt	2	G3LS, G80S	...
<b>ENGINE PLATES AND BOLTS.</b>				
010819	... Plate, engine, front	2	All	...
010823	... Stud, fixing front plate to frame, $6\frac{3}{8}$ ins. by $\frac{3}{8}$ in. by 26	1	All	...
000010	... Washer, plain, for front engine plate stud	2	All	...
000003	... Nut, for front engine plate stud	2	All	...
022276	... Plate, engine, rear	2	G3LS, G80S	...
022494	... Plate, engine, rear, assembled	2	G3LCT	...
022495	... Plate, engine, rear, assembled	2	G3LCS, G80CS	...
000303	... Stud, for seat tube bottom lug	1	All	...
000010	... Washer, for seat tube stud	2	All	...
000003	... Nut, for seat tube stud	2	All	...
000278	... Stud, passes through back ends of engine plates	1	G3LCT, G3LCS, G80CS	...
000011	... Washer, plain, for 000278 stud	2	G3LCT, G3LCS, G80CS	...
000004	... Nut, for 000278 stud	2	G3LCT, G3LCS	...
015263	... Shield, for crankcase	1	G3LCT, G3LCS, G80CS	...
000277	... Stud, for crankcase shield, $4\frac{5}{8}$ ins. by $\frac{5}{8}$ in. by 26	1	G3LCT, G3LCS, G80CS	...
017198	... Spacer, for crankcase shield stud	2	G3LCT, G3LCS, G80CS	...
000004	... Nut, for 000277 stud	2	G3LCT, G3LCS, G80CS	...
000277	... Stud, engine plate rear crosshead, $4\frac{5}{8}$ ins. by $\frac{5}{8}$ in. by 26 (only used if no dynamo fitted)	1	G3LCT, G3LCS, G80CS	...



PART NUMBER.	DESCRIPTION.	QTY.	USED ON.	PRICE EACH £ s. d.
--------------	--------------	------	----------	-----------------------

### ENGINE PLATES AND BOLTS—*continued*

022423	... Cover, rear engine plate .....	1	All ...	...
022519	... Cover, frame .....	1	G3LS, G80S	...
014357	... Screw, frame cover .....	2	G3LS, G80S	...
000191	... Washer, spring frame cover screw .....	2	G3LS, G80S	...
022541	... Bead, frame cover .....	2	G3LS, G80S	...

### REAR FORK.

021543	... Fork, rear .....	1	G3LS, G80S	...
022637	... Fork, rear .....	1	G3LCT, G3LCS, G80CS...	...
021595	... Adjuster, rear chain .....	2	All	...
011373	... Nut, lock for chain adjuster .....	2	All	...
014746	... Sleeve, assembly (bushed) .....	2	All	...
010116	... Tube .....	1	All	...
010095	... Cap, for rear fork bearing, right side .....	1	All	...
010096	... Cap, for rear fork bearing, left side .....	1	All	...
010093	... Washer, felt, for rear fork bearing .....	2	All	...
010098	... Gasket, for rear fork bearing caps .....	2	All	...
010094	... Spoke, for rear fork bearing (central tie bolt) .....	1	All	...
012472	... Nipple, for rear fork bearing spoke .....	1	All	...
000485	... Screw, plug for oil, in end cap, $\frac{1}{2}$ in. by $\frac{1}{4}$ in. by 26 .....	1	All	...
000203	... Washer, fibre, for oil plug screw .....	1	All	...
022510	... Pin cotter, for bearing tube .....	2	All	...
022083	... Nut, for bearing cotter pin .....	2	All	...
000011	... Washer, for bearing cotter pin .....	2	All	...

### TELEDRAULIC REAR LEG.

021777	... Leg, TELEDRAULIC, rear complete assembly (no fixing bolts, washers and nuts) .....	2	G3LS, G80S	...
021778	... Leg, TELEDRAULIC, rear, complete assembly (no fixing bolts, washers and nuts) .....	2	G3LCT, G3LCS, G80CS...	...
016350	... Pivot, top, assembled (this assembly includes the next three items) .....	2	All	...
016059	... Pivot, top, bare .....	2	All	...
010262	... Bush, rubber, for top pivot .....	4	All	...
016206	... Spacer, for top pivot rubber bush .....	4	All	...
016351	... Pivot, bottom, assembled (this assembly includes the next five items) .....	2	All	...
016060	... Pivot, bottom bare .....	2	All	...
010262	... Bush, rubber, for bottom pivot .....	4	All	...
016206	... Spacer, for bottom pivot rubber bush .....	2	All	...
016712	... Sleeve nut, for bottom pivot bolt .....	2	All	...
016873	... Washer, plain, for 016712 sleeve nut .....	2	All	...
021494	... Tube, inner (fits in top pivot recess) .....	2	All	...
016291	... Ring, sealing inner tube at top .....	2	All	...
021496	... Bush, lower end of inner tube .....	2	All	...
021555	... Circlip, retaining inner tube bush .....	4	All	...
021653	... Tube, outer (screws into bottom pivot) .....	2	All	...
016324	... Washer, sealing lower end of outer tube .....	4	All	...
016077	... Bush, for outer tube .....	2	All	...
017569	... Oil-seal, between inner and outer tubes .....	2	All	...
016078	... Collar, retaining oil-seal .....	2	All	...
021650	... Tube, for damper .....	2	G3LS, G80S	...
019540	... Tube, for damper .....	2	G3LCT, G3LCS, G80CS...	...
016072	... Sleeve, plunger, for damper rod .....	2	G3LS, G80S	...
019539	... Sleeve, plunger, for damper rod .....	2	G3LCT, G3LCS G80CS...	...
016339	... Clip, locating plunger sleeve .....	2	All	...
016342	... Rod, for damper .....	2	G3LS, G80S	...
019537	... Rod, for damper .....	2	G3LCT, G3LCS, G80CS...	...
016343	... Collar, for top end of damper rod .....	2	G3LS, G80S	...
022020	... Collar, for top end of damper rod .....	2	G3LCT, G3LCS, G80CS...	...

PART NUMBER.	DESCRIPTION.	QTY.	USED ON.	PRICE EACH £ s. d.
<b>TELEDRAULIC REAR LEG—continued.</b>				
000074	Nut, locking collar top-end of damper rod	2	All	...
016304	Valve, for damper	2	G3LS, G80S	...
019538	Valve, for damper	2	G3LCT, G3LCS, G80CS...	...
010721	Pin, stop, for damper valve	2	All	...
010719	Seat, for damper valve	2	All	...
000005	Nut, retaining damper seat to damper rod	2	All	...
019555	Buffer spring distance piece	2	G3LCT, G3LCS, G80CS...	...
019626	Damper valve assembled (Comprising following 6 items)	2	ditto	...
019531	Damper valve body	2	ditto	...
000072	Damper valve ball	2	ditto	...
019535	Damper valve pin	2	ditto	...
021280	Damper valve spring	2	ditto	...
019534	Damper valve plug	2	ditto	...
019532	Damper valve relief plunger	2	ditto	...
011126	Spring, buffer	2	G3LS, G80S	...
018267	Spring, buffer	2	G3LCT, G3LCS, G80CS...	...
016297	Spring, main (solo)	2	G3LS, G80S	...
016061	Spring, main (sidecar)	2	G3LS, G80S	...
016410	Spring, main	2	G3LCT, G3LCS, G80CS...	...
016082	Washer, leather, at both ends of main spring	4	All	...
016408	Tube, outer, covering top end of main spring	2	All	...
021255	Tube, outer, covering bottom end of main spring	2	All	...
021654	Collar, retaining bottom outer cover tube	2	All	...
021655	Circlip, retaining collar	2	All	...
016251	Buffer, for TELEDRAULIC leg	2	All	...
018648	Bolt, fixing top pivot, $3\frac{1}{8}$ ins. by $\frac{3}{8}$ in. by 26	2	G3LS, G80S	...
011273	Bolt, fixing top pivot, $2\frac{1}{2}$ ins. by $\frac{3}{8}$ in. by 26	2	G3LCT, G3LCS, G80CS...	...
000010	Washer, plain, for top pivot bolt	4	All	...
016712	Sleeve nut, for top pivot bolt	2	G3LS, G80S	...
000003	Nut, for top pivot bolt	2	G3LCT, G3LCS, G80CS...	...
016359	Bolt, fixing bottom pivot, $2\frac{1}{2}$ ins. by $\frac{3}{8}$ in. by 26	2	All	...
000010	Washer, plain, for bottom pivot bolt	4	All	...

### FORK ASSEMBLIES.

The following fork assemblies are complete and include ball races for the fork crown and top head lug (but not the two frame ball races)

022790	Fork, assembly (TELEDRAULIC Front Fork, Solo)	1	G3LS, G80S	...
022690	Fork, assembly (TELEDRAULIC Front Fork, Sidecar)	1	ditto	...
022691	Fork assembly (TELEDRAULIC Front Fork, Solo)	1	G3LCT,	...
022692	Fork assembly (TELEDRAULIC Front Fork, Solo)	1	G3LCS, G80CS	...

For ease of servicing, the inner tube unit and damper unit are listed and supplied as separate assemblies. This enables a complete assembly to be exchanged in minimum time. The Units are listed below.

022791	Front Fork inner tube assembly, Solo	2	G3LS, G80S	...
022694	Front Fork inner tube assembly, Sidecar	2	G80S	...
022695	Front Fork inner tube assembly, Solo	2	G3LCS, G80CS	...
022872	Front Fork inner tube assembly, Solo	2	G3LCT	...

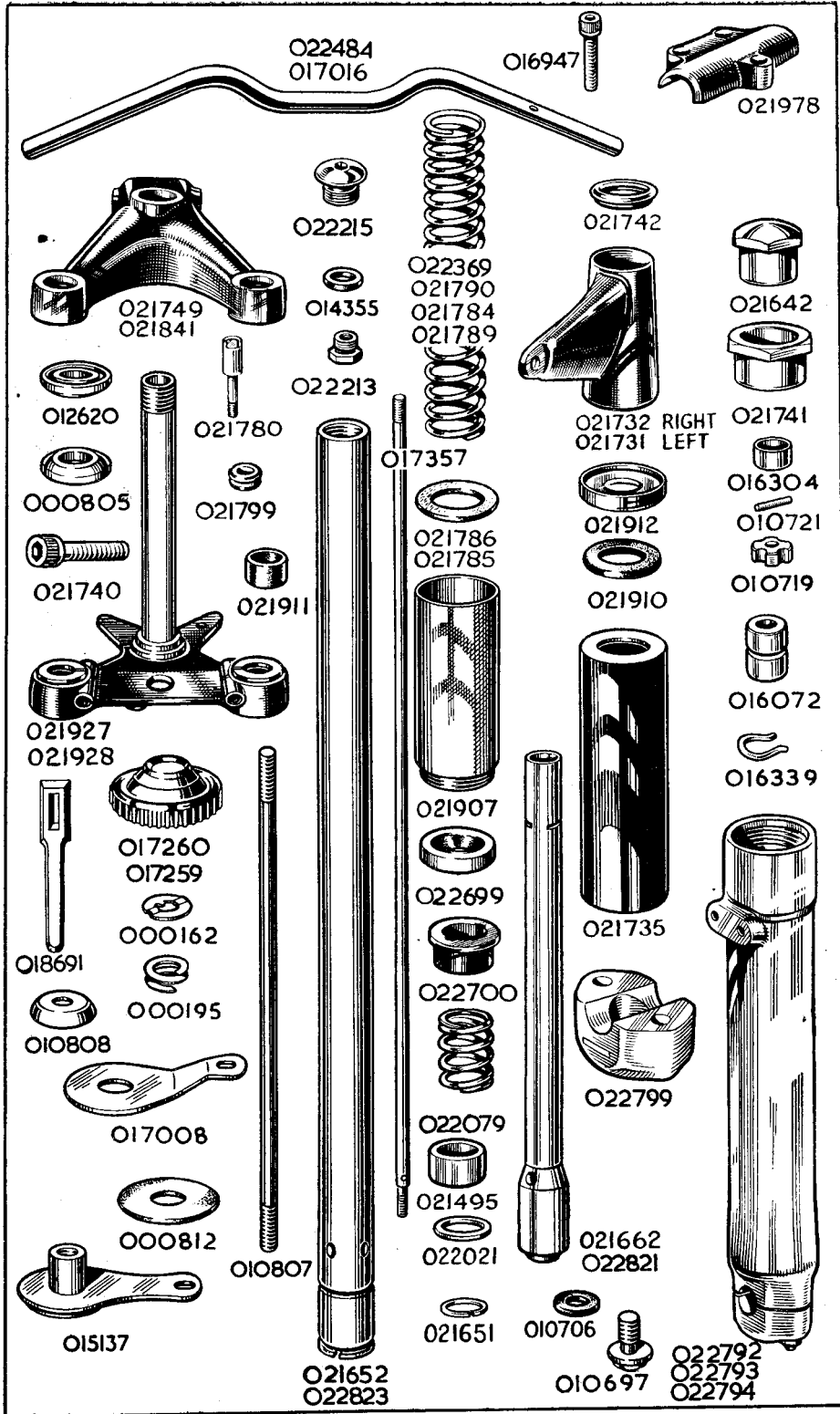
The above assemblies comprise :—Inner tubes with rubber buffers, bushes and circlips, top bolts with washers and sealing rings, slider extensions with oil seals, fork springs and washers.

021974	Front fork damper assembly	2	G3LS, G3LCT, G80S	...
022821	Front fork damper assembly	2	G3LCS, G80CS	...

The above assemblies comprise :—Rod and two nuts, damper tube with valve, seat and pin, sleeve and clip and bottom fixing bolt with washer.

PART NUMBER.	DESCRIPTION.	QTY.	USED ON.	PRICE EACH £ s. d.
<b>FRONT FORK.</b>				
021927	... Crown, assembly, comprising crown, stem and circlip (these parts not sold separately).....	1	G3LS, G80S	...
021928	... Crown, assembly, comprising crown, stem and circlip (these parts not sold separately).....	1	G3LCT, G3LCS, G80CS...	...
000805	... Race, ball, for fork crown.....	1	All	...
021740	... Screw, pinch, for fork crown.....	2	G3LS, G80S	...
021749	... Lug, for handlebar and steering head.....	1	G3LS, G80S	...
021841	... Lug, for handle bar and steering head.....	1	G3LCT, G3LCS, G80CS...	...
012620	... Race, ball, for handlebar lug.....	1	All	...
000051	... Nipple, grease, for handlebar lug.....	1	All	...
021741	... Nut, adjusting, for fork crown stem.....	1	All	...
021642	... Nut, lock (domed), for fork crown stem.....	1	All	...
021652	... Tube, fork, inner.....	2	G3LS, G80S, G3LCT	...
022823	... Tube, fork, inner.....	2	G3LCS, G80CS	...
021911	... Buffer, rubber, for fork inner tube.....	6	All	...
021495	... Bush, bottom, for fork inner tube.....	2	All	...
021651	... Circlip, for fork inner tube bush.....	4	All	...
022215	... Bolt, top, for fork inner tube.....	2	All	...
022216	... Grommet, for fork tube top bolt.....	2	All	...
014355	... Ring, sealing, for fork inner tube top bolt.....	2	All	...
022794	... Slider, fork, with cap, studs and nuts, left and right.....	2	G3LCT, G3LCS, G80CS...	...
022793	... Slider, fork, with cap, studs and nuts, right.....	1	G3LS, G80S	...
022792	... Slider, fork, with cap, studs and nuts, left.....	1	G3LS, G80S	...
022799	... Cap, for fork slider.....	2	All	...
010713	... Stud, securing fork slider cap, $1\frac{3}{8}$ in. by $\frac{5}{16}$ in. by 26 and 22.....	4	All	...
021780	... Fork stop (acts also as pinch bolt).....	2	G3LCT, G3LCS, G80CS...	...
000003	... Fork stop nut.....	2	ditto	...
000193	... Fork stop nut spring washer.....	2	ditto	...
000011	... Washer, plain, for fork slider cap stud.....	4	All	...
000004	... Nut, for fork slider cap stud.....	4	All	...
021907	... Extension, for fork slider.....	2	All	...
022700	... Bush, plastic, for fork inner tube.....	2	All	...
022699	... Oil-seal, for fork inner tube (rubber).....	2	All	...
021784	... Spring, main, for front fork, Solo.....	2	G3LS, G80S	...
021790	... Spring, main, for front fork, Solo.....	2	G3LCT, G3LCS, G80CS...	...
021789	... Spring, main, for front fork, Sidecar.....	2	G80S	...
022079	... Spring, buffer, front fork.....	2	All	...
022021	... Collar, for buffer spring.....	2	All	...
021786	... Washer, leather, fork spring seating, bottom.....	2	All	...
021785	... Washer, fork spring seating, top.....	2	All	...
021732	... Tube, fork cover, top, right, with lamp lug.....	1	All	...
021731	... Tube, fork cover, top, left, with lamp lug.....	1	All	...
021742	... Spigot, for top cover tube.....	2	All	...
021910	... Seat (rubber), for cover tube.....	2	All	...
021912	... Housing, for top cover tube.....	2	All	...
021735	... Tube, fork cover, bottom.....	2	All	...
000485	... Screw, plug, oil drain, for fork slider, $\frac{1}{4}$ in. by $\frac{1}{4}$ in. by 26.....	2	All	...
000203	... Washer, fibre, for fork slider screw oil plug.....	2	All	...
022890	... Tube, fork damper.....	2	G3LS, G3LCT, G80S	...
022821	... Tube, fork damper.....	2	G3LCS, G80CS	...
010697	... Bolt, fixing fork damper tube to slider, $\frac{7}{16}$ in. by $\frac{5}{16}$ in. by 26.....	2	All	...

**MAINTENANCE MANUAL** 1956 EDITION    PRICE **2/6**  
IS THE APPROPRIATE MANUAL FOR THIS SPARES LIST



PART NUMBER.	DESCRIPTION.	QTY.	USED ON.	PRICE EACH £ s. d.
<b>FRONT FORK—continued.</b>				
010706	Washer, fibre, for damper tube bolt	2	All	...
017357	Rod, for fork damper	2	All	...
000004	Nut, lock, top end of damper rod	2	All	...
022213	Adaptor, for damper rod	2	All	...
016072	Sleeve, plunger, for fork damper rod	2	All	...
016339	Clip, retaining damper rod sleeve	2	All	...
016304	Valve, for fork damper	2	All	...
010721	Pin, stop, for fork damper valve	2	All	...
010719	Seat, for fork damper valve	2	All	...
000005	Nut, lock, for fork damper valve seat	2	All	...
018691	Steering locking bar (own padlock to be used)	1	All	...
<b>HANDLEBAR.</b>				
017016	Handlebar, bare	1	G3LCT, G3LCS, G80CS...	...
022484	Handlebar, bare	1	G3LS, G80S	...
021978	Clip (half only), for handlebar lug	1	All	...
016947	Screw, for handlebar clip, $\frac{5}{8}$ in. by $\frac{1}{4}$ in. by 26 (socket head)	3	All	...
<b>STEERING DAMPER. (This is an optional extra).</b>				
022060	Damper, steering, complete set of parts	1	All	...
017259	Knob, control, for steering damper	1	All	...
000162	Washer, ratchet, for steering damper knob	1	All	...
000195	Washer, spring, for steering damper knob	1	All	...
010808	Cap, for top of steering stem	1	All	...
010807	Drawbolt, for steering damper	1	All	...
015137	Sleeve, assembly, lower end of drawbolt	1	All	...
000073	Nut, locking sleeve to drawbolt	1	All	...
014577	Bolt, fixing sleeve assembly	1	All	...
000191	Washer, spring, for bolt 014577	1	All	...
000012	Washer, plain, for bolt 014577	1	All	...
017008	Plate, anchor, top position	1	All	...
014577	Bolt, fixing top anchor plate	1	All	...
000191	Washer, spring for anchor plate bolt	1	All	...
000812	Washer, friction, for steering damper	2	All	...
021811	Nut, lock, for fork crown stem (this replaces the domed lock-nut 021642 when a steering damper is fitted)	1	All	...
<b>CENTRE STAND.</b>				
016340	Stand, centre, bare	1	G3LS, G80S	...
022620	Stand, centre, bare	1	G3LCT, G3LCS, G80CS...	...
014626	Bush, for centre stand	2	G3LS, G80S	...
022498	Bush, for centre stand	2	G3LCT	...
016435	Bush, for centre stand	2	G3LCS, G80CS	...
014629	Stud, hinge, for centre stand	1	G3LS, G80S, G80CS...	...
022499	Stud, hinge, for centre stand	1	G3LCT	...
014630	Spacer, central, for centre stand stud, 4.2 ins. long	1	G3LS, G80S	...
016169	Spacer, central, for centre stand stud	1	G3LCT	...
010924	Spacer, central, for centre stand stud, $3\frac{1}{2}$ ins. long	1	G3LCS, G80CS	...
014484	Spacer, outside right, for centre stand hinge stud, .180 in. thick	1	G3LCS, G80CS	...
010912	Washer, spigot, for centre stand hinge stud	2	All	...
000002	Nut, for centre stand hinge stud	2	All	...
014627	Spring, return, for centre stand	1	All	...
016399	Spring, stop, for centre stand	1	All	...
000250	Stud, for centre stand stop spring	2	All	...
000080	Nut, for stop spring stud	2	All	...
000039	Washer, for stop spring stud	2	All	...
<b>PROP STAND.</b>				
014715	Stand, prop, bare	1	All	...
014713	Bolt, hinge, for prop stand, $2\frac{1}{8}$ ins. by $\frac{7}{16}$ in. by 26	1	All	...
014139	Nut, for prop stand hinge bolt	1	All	...
000049	Pin, split, for prop stand hinge bolt	1	All	...
021261	Spring, return, for prop stand	1	All	...

PART NUMBER.	DESCRIPTION.	QTY.	USED ON.	PRICE EACH £ s. d.
<b>FRONT MUDGUARD.</b>				
022372	Mudguard, front, bare .....	1	G3LS, G80S ...	
013947	Mudguard, front, bare .....	1	G3LCT, G3LCS, G80CS... ..	
010795	Bolt, fixing mudguard bridge to right fork slider, $\frac{1}{2}$ in. by $\frac{5}{16}$ in. by 22.....	2	All ... ..	
000192	Washer, spring, for bridge right fixing bolt .....	2	All ... ..	
010624	Stud, fixing mudguard bridge to left fork slider, also retains brake anchor stay and bracket for brake cable adjuster, $1\frac{1}{2}$ in. by $\frac{5}{8}$ in. by 26 and 22.....	2	All ... ..	
014117	Washer, lock, for bridge left fixing stud .....	2	All ... ..	
000004	Nut, for bridge left fixing stud.....	2	All ... ..	
013928	Stay, for front mudguard, forward position .....	1	G3LCT, G3LCS, G80CS... ..	
013929	Stay, for front mudguard, rear position .....	1	G3LCT, G3LCS, G80CS... ..	
022373	Stay, for front mudguard .....	4	G3LS, G80S ...	
010795	Bolt, fixing mudguard stays to slider .....	4	G3LCT, G3LCS, G80CS... ..	
010795	Bolt, fixing mudguard stay to slider .....	2	G3LS, G80S ...	
000192	Washer, spring, for stay to slider bolt .....	4	G3LCT, G3LCS, G80CS... ..	
000192	Washer, spring, for stay to slider bolt .....	2	G3LS, G80S ...	
000070	Bolt, fixing stay to mudguard .....	2	G3LS, G80S ...	
000191	Washer, spring, stay to mudguard bolt .....	2	G3LS, G80S ...	
000012	Washer, plain, stay to mudguard bolt .....	2	G3LS, G80S ...	
000005	Nut, stay to mudguard bolt .....	2	G3LS, G80S ...	
012565	Bolt, fixing stays to mudguard .....	8	G3LCT, G3LCS, G80CS... ..	
000190	Washer, spring, stay to mudguard bolt .....	8	G3LCT, G3LCS, G80CS... ..	
000039	Washer, plain, stay to mudguard bolt .....	8	G3LCT, G3LCS, G80CS... ..	
000080	Nut, stay to mudguard bolt .....	8	G3LCT, G3LCS, G80CS... ..	
<b>REAR CARRIER.</b>				
022576	Carrier, rear, bare .....	1	G3LS, G80S ...	
022738	Bolt, fixing rear carrier .....	2	G3LS, G80S ...	
022737	Washer, for carrier fixing bolt.....	2	G3LS, G80S ...	
<b>REAR MUDGUARD (Touring).</b>				
022684	Mudguard, rear (includes both portions with binding bolts).....	1	G3LS, G80S ...	
022388	Mudguard, rear, forward portion .....	1	ditto ... ..	
021710	Mudguard, rear, detachable portion .....	1	ditto ... ..	
021098	Bolt, for mudguard joint .....	3	ditto ... ..	
021099	Washer, for mudguard joint bolt.....	3	ditto ... ..	
022250	Bracket, for bottom of rear mudguard .....	2	ditto ... ..	
000342	Bolt, fixing bracket to rear mudguard, $\frac{1}{2}$ in. by $\frac{1}{4}$ in. by 26.....	2	ditto ... ..	
000012	Washer, plain, bracket fixing bolt .....	2	ditto ... ..	
000005	Nut, bracket, fixing bolt .....	2	ditto ... ..	
000275	Stud, fixing mudguard bracket to frame.....	1	ditto ... ..	
000011	Washer, plain, for bracket fixing stud .....	2	ditto ... ..	
000004	Nut, for bracket fixing stud .....	2	ditto ... ..	
000346	Bolt, fixing mudguard to frame-loop bridge .....	1	ditto ... ..	
000191	Washer, spring, for bridge fixing bolt .....	1	ditto ... ..	
000005	Nut, for bridge fixing bolt .....	1	ditto ... ..	
<b>REAR MUDGUARD. (CT and CS).</b>				
022611	Mudguard, rear, bare.....	1	G3LCT ... ..	
022507	Mudguard, rear, bare.....	1	G3LCS, G80CS ...	
000361	Bolt, fixing mudguard at bottom, $\frac{1}{2}$ in. by $\frac{5}{16}$ in. by 26 .....	1	All ... ..	
000011	Washer, for bottom fixing bolt .....	1	All ... ..	
000345	Bolt, fixing mudguard to frame top bridge, $1\frac{3}{8}$ in. by $\frac{1}{4}$ in. by 26 .....	1	All ... ..	



PART NUMBER.	DESCRIPTION.	QTY.	USED ON.	PRICE EACH £ s. d.
--------------	--------------	------	----------	-----------------------

**REAR MUDGUARD. (CT and CS)—continued.**

000191	Washer, spring, for mudguard bridge bolt	1	All	...
000005	Nut, for mudguard bridge bolt	1	All	...
000342	Bolt, fixing mudguard to oil tank bracket	1	All	...
000172	Washer, plain, for oil tank bracket bolt	2	All	...
000005	Nut, for oil tank bracket bolt	1	All	...
022456	Tube, supporting rear mudguard	1	All	...
000369	Bolt, fixing support tube, $1\frac{5}{8}$ in. by $\frac{5}{16}$ in. by 26	2	All	...
000004	Nut, for support tube bolt	2	All	...
012565	Bolt, fixing mudguard to support tube, $\frac{1}{2}$ in. by 2.BA.	7	All	...
000190	Washer, spring, for mudguard to tube bolt	7	All	...
000039	Washer, plain, for mudguard to tube bolt	7	All	...
000080	Nut, for mudguard to tube bolt	7	All	...

**FRONT NUMBER PLATE.**

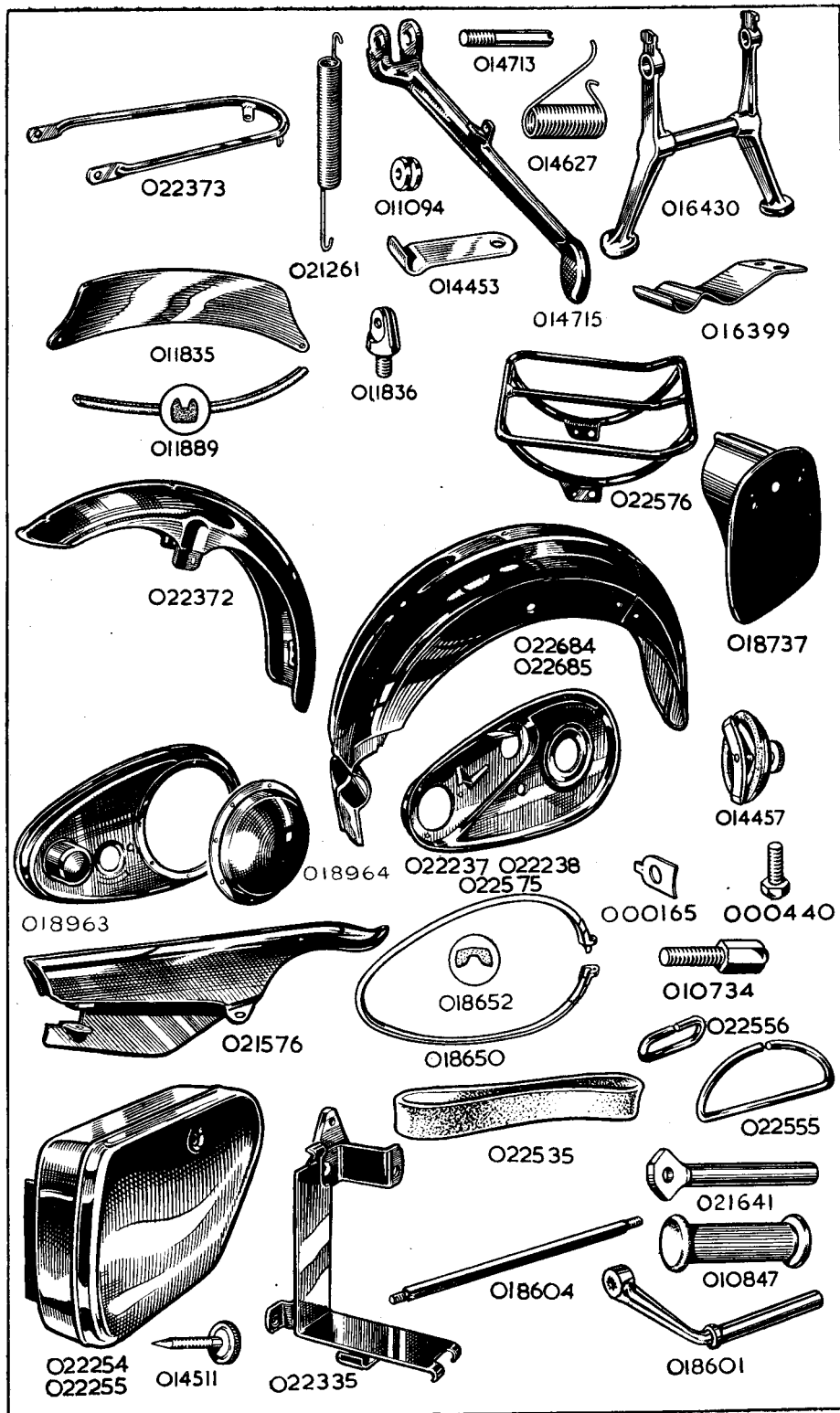
011835	Plate, number, front	1	G3LS, G80S	...
011698	Plate, number, front	1	G3LCT, G3LCS, G80CS...	...
011836	Stud, fixing front number plate	2	All	...
000012	Washer, plain, front number plate stud	2	All	...
000005	Nut, front number plate stud	2	All	...
000861	Screw, fixing, front number plate to stud, $\frac{5}{16}$ in. by 2.BA.	2	All	...
011889	Fillet, rubber, front number plate	1	G3LS, G80S	...

**REAR NUMBER PLATE.**

018737	Plate, number, rear	1	G3LS, G80S	...
021881	Plate, number, rear	1	G3LCT, G3LCS, G80CS...	...
021880	Support, rear number plate	1	G3LCT, G3LCS, G80CS...	...
000738	Screw, rear lamp support	2	G3LCT, G3LCS, G80CS...	...
000739	Nut, rear lamp support screw	2	G3LCT, G3LCS, G80CS...	...
000363	Bolt, fixing rear number plate, $\frac{3}{4}$ in. by $\frac{5}{16}$ in. by 26	2	G3LS, G80S	...
000070	Bolt, fixing rear number plate, $\frac{3}{4}$ in. by $\frac{1}{4}$ in. by 26	2	G3LCT, G3LCS, G80CS...	...
000192	Washer, spring, rear number plate bolt	2	G3LS, G80S	...
000012	Washer, plain, rear number plate bolt	4	G3LCT, G3LCS, G80CS...	...
000005	Nut, rear number plate bolt	2	G3LCT, G3LCS, G80CS...	...
015298	Bracket, for rear number plate	1	G3LCT, G3LCS, G80CS...	...
000363	Bolt, fixing number plate bracket, $\frac{3}{4}$ in. by $\frac{5}{16}$ in. by 26	1	G3LCT, G3LCS, G80CS...	...
000192	Washer, spring, for number plate fixing bolt	1	G3LCT, G3LCS, G80CS...	...
000011	Washer, plain, for number plate fixing bolt	1	G3LCT, G3LCS, G80CS...	...
000004	Nut, for number plate fixing bolt	1	G3LCT, G3LCS, G80CS...	...

**FRONT CHAINCASE.**

022713	Chaincase, complete. (Comprises both halves, metal and rubber bands, clamping screw and inspection caps —NO FIXING BOLTS, SPACERS, WASHERS, AND NUTS ARE INCLUDED)	1	G3LS, G80S	...
022795	Chaincase, complete and sliding seal	1	G3LCT, G3LCS, G80CS...	...
022237	Chaincase, back half, bare	1	G3LS, G80S	...
022575	Chaincase, back half, bare	1	G3LCT, G3LCS, G80CS...	...
018963	Chaincase, front half, bare	1	All	...
018650	Band, metal, for chaincase	1	All	...
022750	Screw, clamping chaincase metal band, $2\frac{3}{8}$ in. by 2.BA.	1	All	...
018652	Band, rubber, for chaincase	1	All	...



PART NUMBER.	DESCRIPTION.	QTY.	USED ON.	PRICE EACH £ s. d.
--------------	--------------	------	----------	-----------------------

### FRONT CHAINCASE—continued

018964	... Domed clutch cover .....	1	All	...
018966	... Washer, cork for clutch cover.....	1	All	...
000450	... Screw, round head, for clutch cover, $\frac{3}{8}$ in. by 2.BA....	8	All	...
014457	... Cap, assembly, chaincase inspection .....	1	All	...
000580	... Washer, cork, chaincase inspection cap.....	1	All	...
000440	... Bolt, fixing chaincase to engine, $\frac{1}{2}$ in. by 0.BA.....	3	All	...
000165	... Washer, lock, chaincase engine bolt .....	3	All	...
000316	... Stud, fixing centre of chaincase, $7\frac{7}{16}$ ins. by $\frac{7}{16}$ in. by 26 (to be fitted with longer thread on left side).....	1	All	...
010953	... Spacer, $1\frac{1}{32}$ in. long, for centre bolt between chaincase and engine plate .....	1	All	...
021230	... Nut, wide, for centre bolt, inside chaincase .....	1	All	...
000009	... Washer, plain, for centre bolt .....	3	G3LS, G80S	...
000009	... Washer, plain, for centre bolt .....	2	G3LCT, G3LCS, G80CS...	...
000002	... Nut, for chaincase centre bolt .....	2	All	...
021038	... Sliding seal, chaincase.....	1	G3LCT, G3LCS, G80CS...	...

### REAR CHAINGUARD.

021576	... Chainguard, rear, bare .....	1	G3LS, G80S	...
022461	... Chainguard, rear, bare .....	1	G3LCT, G3LCS, G80CS...	...
000350	... Bolt, fixing chainguard at front, $2\frac{1}{16}$ ins. by $\frac{1}{4}$ in. by 26	1	All	...
000012	... Washer, plain, chainguard front fixing bolt .....	2	All	...
000005	... Nut, for chainguard front fixing bolt .....	1	All	...
000349	... Bolt, fixing rear of chainguard, $1\frac{1}{8}$ in. by $\frac{1}{4}$ in. by 26	1	All	...
021579	... Washer, spring, for chainguard rear fixing bolt.....	1	All	...
021578	... Spacer (located inside chainguard), on bolt 000349 .....	1	All	...

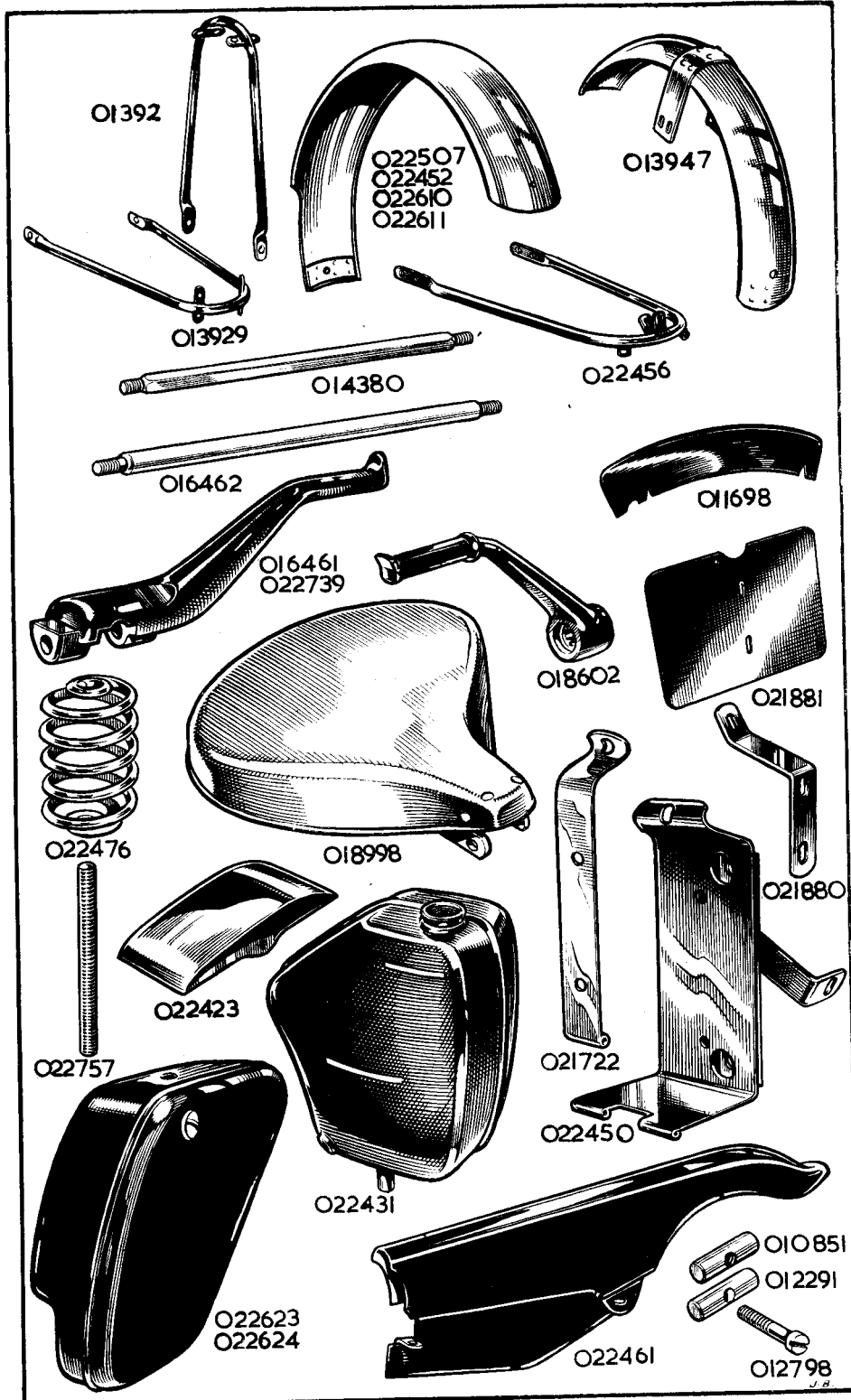
### BATTERY CARRIER.

022449	... Carrier, battery, complete (1).....	1	G3LCT, G3LCS, G80CS...	...
022335	... Carrier, battery, back portion only.....	1	G3LS, G80S	...
022450	... Carrier, battery, back portion only.....	1	G3LCT, G3LCS, G80CS...	...
022535	... Carrier, battery, front strap.....	1	G3LS, G80S	...
021722	... Carrier, battery, front strap.....	1	G3LCT, G3LCS, G80CS...	...
022555	... Loop, for battery carrier strap, large .....	1	G3LS, G80S	...
022556	... Loop, for battery carrier strap, small .....	1	G3LS, G80S	...
012798	... Bolt, clamping, battery carrier.....	1	G3LCT, G3LCS, G80CS...	...
012291	... Seat, battery carrier clamping bolt.....	1	G3LCT, G3LCS, G80CS...	...
010851	... Nut, battery carrier clamping bolt .....	1	G3LCT, G3LCS, G80CS...	...
010854	... Pin, hinge, battery carrier strap .....	1	G3LCT, G3LCS, G80CS...	...
000369	... Bolt, fixing battery carrier to frame .....	1	G3LS, G30S	...
000349	... Bolt, fixing battery carrier to frame .....	1	G3LS, G80S	...
000005	... Nut, for 000349 bolt .....	1	G3LS, G80S	...
000012	... Washer, for 000349 bolt .....	2	G3LS, G80S	...
000070	... Bolt, earthing cable .....	1	All	...
000012	... Washer, earthing cable bolt.....	1	All	...
022721	... Rubber, seat, for battery .....	1	G3LS, G80S	...

(1) Comprises, back half battery carrier, front strap with clamping bolt, seat, and nut.

### FOOTRESTS.

018601	... Arm, for footrest .....	2	G3LS, G80S	...
018602	... Arm, for footrest .....	2	G3LCT	...
022739	... Arm, for footrest, right side.....	1	G8LCS, G80CS	...
016461	... Arm, for footrest, left side .....	1	G3LCS, G80CS	...
010847	... Pad, rubber, for footrest arm .....	2	G3LS, G80S	...

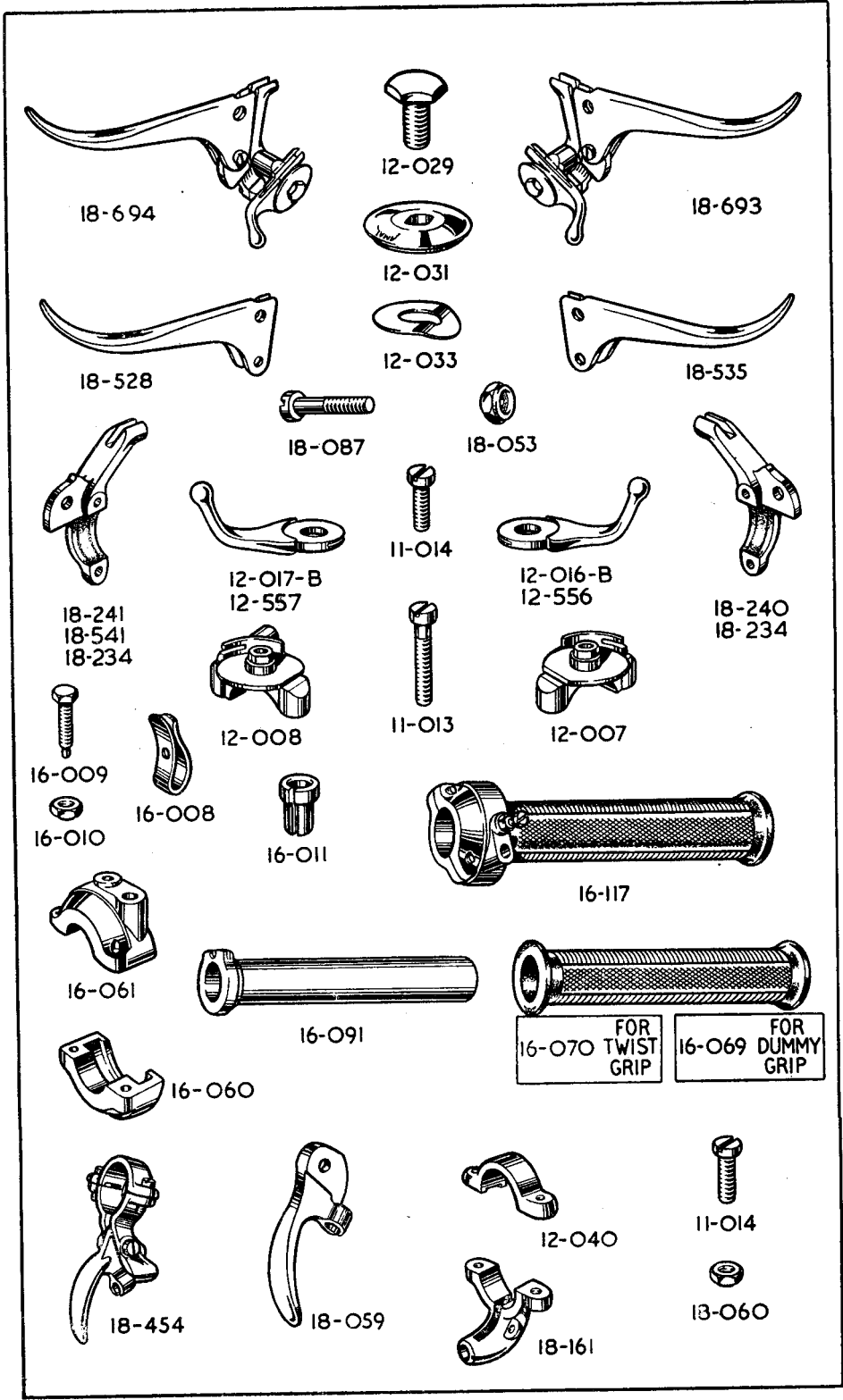


PART NUMBER.	DESCRIPTION.	QTY.	USED ON.	PRICE EACH £ s. d.
<b>FOOTRESTS—continued</b>				
018604	... Rod, for footrests, overall length, 10½ ins.....	1	G3LS, G3LCT, G80S ...	...
014380	... Rod, for footrests (extra), overall length, 9 ins. ....	1	G3LCT	...
016462	... Rod, for footrests, overall length, 10⅝ ins.....	1	G3LCS, G80CS	...
010924	... Spacer, 3½ ins. long, for footrest rod, between rear engine plates .....	1	All ...	...
013837	... Spacer, 1 in. long, for footrest, outside right.....	1	G3LS, G3LCT, G80S ...	...
010911	... Spacer, 1⅞ in. long, for footrest, outside left.....	1	G3LS, G3LCT, G80S ...	...
022636	... Spacer, ⅜ in. long, for extra footrest rod .....	2	G3LCT	...
000009	... Washer, plain, for footrest rod .....	2	All ...	...
000009	... Washer, plain, for extra footrest rod.....	2	G3LCT	...
000002	... Nut, for footrest rod .....	2	All ...	...
000002	... Nut, for extra footrest rod .....	2	G3LCT	...
015707	... Washer, packing, for footrest arm, right side .....	1	G3LCT	...
<b>PILLION FOOTRESTS. (Optional equipment).</b>				
021984	... Pillion footrests, complete.....pair	1	G3LS, G80S	...
021641	... Spindle, bare, pillion footrest .....	2	ditto	...
011599	... Bolt, hinge, for pillion footrest spindle, 1⅞ in. by ⅜ in. by 26.....	2	ditto	...
000073	... Nut, for pillion footrest hinge bolt.....	2	ditto	...
010847	... Pad, rubber, for pillion footrest spindle.....	2	ditto	...
<b>SADDLE.</b>				
022374	... Twin seat .....	1	G3LS, G80S	...
022477	... Twin seat .....	1	G3LCS, G80CS	...
022796	... Saddle, complete, with rear springs .....	1	G3LCT	...
018998	... Saddle, less springs.....	1	G3LCT	...
022476	... Spring, for saddle .....	2	G3LCT	...
022757	... Stud, for lower end of saddle spring, 2¼ ins.....	2	G3LCT	...
000073	... Nut, for saddle spring stud .....	5	G3LCT	...
021217	... Bush, for saddle nose bolt.....	1	G3LCT	...
000376	... Bolt, for saddle front hinge .....	1	G3LCT	...
000011	... Washer, plain, for saddle hinge bolt .....	1	G3LCT	...
000004	... Nut, for saddle hinge bolt.....	1	G3LCT	...
021208	... Bolt, fixing twin seat at at rear .....	2	G3LS, G80S	...
000342	... Bolt, fixing twin seat at rear.....	2	G3LCS, G80CS	...
000012	... Washer, plain, for twin seat fixing bolt .....	2	G3LS, G80S	...
000172	... Washer, plain, for twin seat fixing bolt .....	2	G3LCS, G80CS	...
018160	... Nut, for twin seat fixing bolt .....	2	G3LS, G80S	...
021219	... Grommet, rubber, for twin seat base.....	2	G3LS, G3LCS, G80S, G80CS...	...
<b>TOOL BOXES.</b>				
022254	... Box, tool, bare, with lid only .....	1	G3LS, G80S	...
022623	... Box, tool, bare, with lid only .....	1	G3LCT, G3LCS, G80CS...	...
021492	... Plate, fixing, tool box.....	1	G3LCT, G3LCS, G80CS...	...
014511	... Screw, knurled, for tool box lid .....	1	All ...	...
000189	... Washer, spring, for tool box lid screw .....	1	All ...	...
000005	... Nut, for tool box lid screw .....	2	All ...	...
000070	... Bolt, fixing tool box, short .....	1	G3LS, G80S	...
000343	... Bolt, fixing tool box, long.....	1	G3LS, G80S	...
000070	... Bolt, fixing tool box .....	4	G3LCT, G3LCS, G80CS...	...
000005	... Nut, for tool box fixing bolts .....	4	G3LS, G80S	...
000012	... Washer, for tool box fixing bolts .....	4	G3LS, G80S	...
000005	... Nut, for tool box fixing bolts .....	4	G3LCT, G3LCS, G80CS...	...
000012	... Washer, for tool box fixing bolts .....	8	G3LCT, G3LCS, G80CS...	...
022627	... Spacer, for tool box fixing bolt .....	1	G3LCT, G3LCS, G80CS...	...
000342	... Bolt, tool box to battery carrier.....	2	G3LS, G80S	...
000005	... Nut, tool box to battery carrier bolt.....	2	G3LS, G80S	...
000012	... Washer, tool box to battery carrier bolt .....	2	G3LS, G80S	...

PART NUMBER.	DESCRIPTION.	QTY.	USED ON.	PRICE EACH £ s. d.
<b>TRANSFERS.</b>				
009204 ...	Transfer, for oil tank (top level indicator).....	1	G3LS, G80S ...	
009198 ...	Transfer, for oil tank (top level indicator).....	1	G3LCT, G3LCS, G80CS... ..	
009203 ...	Transfer, for oil tank (low level indicator) .....	1	G3LS, G80S ...	
009183 ...	Transfer, for oil tank (low level indicator) .....	1	G3LCT, G3LCS, G80CS... ..	
009186 ...	Transfer, for front chaincase (oil level indicator).....	1	All ... ..	
009187 ...	Transfer, for front chaincase (patent).....	1	All ... ..	
009201 ...	Transfer, for tool box and oil tank .....	2	G3LS, G80S ...	
009188 ...	Transfer, for tool box .....	1	G3LCT, G3LCS, G80CS... ..	
009189 ...	Transfer, for rear guard.....	1	All ... ..	
009199 ...	Transfer, for front forks (patent).....	1	All ... ..	
009195 ...	Transfer, for petrol tank (reserve) .....	1	All ... ..	
011051 ...	Transfer, for petrol tank .....	2	G3LCT, G3LCS, G80CS... ..	
009200 ...	Transfer, for forks (" Made in England ").....	1	All ... ..	
009197 ...	Transfer, for fork hinge (patent).....	1	All ... ..	
022803 ...	Transfers, complete set.....	1	G3LS, G80S ...	
022925 ...	Transfers, complete set .....	1	G3LCT, G3LCS, G80CS... ..	

## CONTROL LEVER AND CABLE SECTION

PART NUMBER.	DESCRIPTION.	QTY.	USED ON.	PRICE EACH £ s. d.
<b>TWIST GRIP.</b>				
16-117 ...	Twist grip, complete assembly.....	1	All ... ..	
16-070 ...	Grip, rubber, for twist grip .....	1	All ... ..	
16-091 ...	Rotor, and sleeve, for twist grip (does not include rubber grip).....	1	All ... ..	
16-060 ...	Body, twist grip, top (plain clip).....	1	All ... ..	
16-061 ...	Body, twist grip, bottom (for friction spring) .....	1	All ... ..	
11-013 ...	Screw, long, clamping twist grip body .....	1	All ... ..	
11-014 ...	Screw, short, clamping twist grip body .....	1	All ... ..	
16-008 ...	Spring, friction, for twist grip .....	1	All ... ..	
16-009 ...	Screw, for twist grip friction spring .....	1	All ... ..	
16-010 ...	Nut, for twist grip friction spring screw .....	1	All ... ..	
16-011 ...	Stop, for twist grip (throttle) cable .....	1	All ... ..	
<b>DUMMY GRIP.</b>				
16-069 ...	Grip, rubber, dummy.....	1	All ... ..	
<b>BRAKE AND AIR CONTROL LEVERS. (Touring).</b>				
18-693 ...	Lever, assembly, brake and air.....	1	G3LS, G80S ...	
18-535 ...	Lever, only, brake .....	1	ditto ... ..	
12-556 ...	Lever, only, air .....	1	ditto ... ..	
18-240 ...	Bracket, for brake lever .....	1	ditto ... ..	
12-007 ...	Bracket, for air lever.....	1	ditto ... ..	
11-013 ...	Screw, long, clamping brake and air brackets .....	1	ditto ... ..	
11-014 ...	Screw, short, clamping brake and air brackets.....	1	ditto ... ..	
18-087 ...	Pin, fulcrum, for brake lever .....	1	ditto ... ..	
18-053 ...	Nut, brake lever fulcrum pin .....	1	ditto ... ..	
12-029 ...	Bolt, central, for air lever.....	1	ditto ... ..	
12-031 ...	Cap, for air lever .....	1	ditto ... ..	
12-033 ...	Washer, spring, for air lever .....	1	ditto ... ..	



PART NUMBER.	DESCRIPTION.	QTY.	USED ON.	PRICE EACH £ s. d.
--------------	--------------	------	----------	-----------------------

### FRONT BRAKE CONTROL LEVER. (Competition).

18-695	... Lever assembly, brake .....	1	G3LCT	...
18-695	... Lever assembly brake (Export only) .....	1	G3LCS, G80CS	...
022717	... Lever assembly brake (Home only).....	1	G3LCS, G80CS	...
18-535	... Lever, only, brake .....	1	G3LCT	...
18-535	... Lever, only, brake (Export only).....	1	G3LCS, G80CS	...
022715	... Lever, only, brake (Home only) .....	1	G3LCS, G80CS	...
18-234	... Bracket, for brake lever .....	1	G3LCT, G3LCS, G80CS...	...
12-040	... Clamp, brake lever bracket .....	1	ditto	...
11-014	... Screw, brake lever bracket clamp .....	2	ditto	...
18-087	... Pin, fulcrum, brake lever .....	1	ditto	...
18-053	... Nut, brake lever fulcrum pin .....	1	ditto	...
70-016	... Washer, lock brake lever fulcrum pin nut.....	1	ditto	...

### CLUTCH CONTROL LEVER.

18-709	... Lever assembly, clutch .....	1	G3LS, G80S	...
18-696	... Lever, assembly, clutch .....	1	G3LCT	...
18-696	... Lever, assembly, clutch (Export only) .....	1	G3LCS, G80CS	...
022718	... Lever, assembly, clutch (Home only) .....	1	G3LCS, G80CS	...
18-528	... Lever, only, clutch .....	1	G3LS, G3LCT, G80S	...
18-528	... Lever, only, clutch (Export only) .....	1	G3LCS, G80CS	...
022714	... Lever, only, clutch (Home only) .....	1	G3LCS, G80CS	...
18-541	... Bracket, for clutch lever .....	1	G3LS, G80S	...
18-234	... Bracket, for clutch lever .....	1	G3LCT, G3LCS, G80CS...	...
12-040	... Clamp, clutch lever bracket .....	1	All	...
11-014	... Screw, brake lever bracket clamp .....	2	All	...
18-087	... Pin, fulcrum, brake lever .....	1	All	...
18-053	... Nut, brake lever fulcrum pin .....	1	All	...
70-016	... Washer, lock brake lever fulcrum pin nut.....	1	All	...

### AIR CONTROL LEVER.

12-161	... Lever, assembly, air .....	1	G3LCT, G3LCS, G80CS...	...
12-016-B	... Lever, only, air .....	1	ditto	...
12-007	... Bracket, air control lever .....	1	ditto	...

### IGNITION CONTROL LEVER.

12-171	... Lever, assembly, ignition .....	1	G3LCT, G3LCS, G80CS...	...
12-017-B	... Lever, only, ignition .....	1	ditto	...
12-008	... Bracket, ignition control lever.....	1	ditto	...

### FITTINGS FOR AIR AND IGNITION CONTROL LEVERS.

12-040	... Clamp, air, or ignition lever bracket .....	2	G3LCT, G3LCS, G80CS...	...
11-014	... Screw, air or ignition lever bracket clamp.....	4	ditto	...
12-029	... Bolt, central, air or ignition lever .....	2	ditto	...
12-031	... Cap, air or ignition lever .....	2	ditto	...
12-033	... Washer, spring, air or ignition lever .....	2	ditto	...

THE MAINTENANCE MANUAL AND INSTRUCTION BOOK  
 HAS NINETY PAGES AND THIRTY-SEVEN ILLUSTRATIONS



PART NUMBER.	DESCRIPTION.	QTY.	USED ON.	PRICE EACH £ s. d.
--------------	--------------	------	----------	-----------------------

### EXHAUST LIFTER CONTROL LEVER.

18-454	... Lever, assembly, exhaust lifter.....	1	All	...
18-059	... Lever, only, exhaust lifter.....	1	All	...
18-161	... Bracket, exhaust lifter lever.....	1	All	...
12-040	... Clamp, exhaust lifter lever bracket.....	1	All	...
11-014	... Screw, exhaust lifter lever bracket clamp.....	2	All	...
11-014	... Pin, fulcrum, exhaust lifter lever.....	1	All	...
18-060	... Nut, exhaust lifter lever fulcrum pin.....	1	All	...

### FRONT BRAKE CABLE.

022874	... Cable, complete, assembled, front brake.....	1	All	...
000530-36½	Wire, inner, front brake, 36½ ins. finished length.....	1	All	...
18-689	... Nipple, brake end, for brake inner wire.....	1	All	...
18-689	... Nipple, handlebar end, for brake inner wire.....	1	All	...
18-690	... Nipple, roller adaptor, handlebar end, for inner wire.....	1	All	...
00052-26	Casing, outer, front brake, 26 ins. long.....	1	All	...
000531	... Ferrule, front brake outer casing.....	2	All	...
011348	... Adjuster, front brake cable.....	1	All	...
017217	... Nut, lock, front brake cable adjuster.....	1	All	...
017049	... End, yoke, front brake cable.....	1	All	...
000736	... Pin, for yoke end, front brake cable.....	1	All	...
000014	... Pin, split, for front brake cable yoke end pin.....	1	All	...
022550	... Sleeve, rubber, for front brake cable inner wire.....	1	All	...

### CLUTCH CABLE.

021405	... Cable, complete, assembled, clutch, with oil nipple.....	1	All	...
000530-43½	Wire, inner, clutch, 43½ ins. finished length.....	1	All	...
017241	... Nipple, gearbox end, clutch inner wire.....	1	All	...
18-689	... Nipple, handlebar end, clutch inner wire.....	1	All	...
18-690	... Nipple, roller adaptor, handlebar end, for inner wire.....	1	All	...
021406	... Casing, outer, clutch, with adaptor for oil nipple.....	1	All	...
000531	... Ferrule, clutch outer casing.....	2	All	...
014225	... Adjuster, clutch cable.....	1	All	...
011373	... Nut, lock, clutch cable adjuster.....	1	All	...
018155	... Cleat, for clutch cable.....	1	All	...
000051	... Oil nipple.....	1	All	...
018986	... Adaptor, for oil nipple.....	1	All	...

### VALVE LIFTER CABLE.

014060	... Cable, complete, assembled, exhaust lifter.....	1	All	...
000530-26	Wire, inner, exhaust lifter, 26 ins. finished length.....	1	All	...
014061	... Nipple, engine end, exhaust lifter inner wire.....	1	All	...
017240	... Nipple, handlebar end, exhaust lifter inner wire.....	1	All	...
000529-21	Casing, outer, exhaust lifter, 21 ins. long.....	1	All	...
000531	... Ferrule, exhaust lifter outer casing, handlebar end.....	1	All	...
013998	... Ferrule, exhaust lifter outer casing, engine end.....	1	All	...
014225	... Adjuster, exhaust lifter cable.....	1	All	...
011373	... Nut, lock, exhaust lifter cable adjuster.....	1	All	...

### IGNITION CONTROL CABLE. (Competition).

022132	... Cable, complete, assembled ignition.....	1	G3LCT, G3LCS, G80CS...	...
000527-29½	Wire, inner, ignition, 29½ ins., finished length.....	1	ditto	...
017266	... Nipple, handlebar end, ignition inner wire.....	1	ditto	...
000526-26	Casing, outer, ignition, 26 ins., finished length.....	1	ditto	...
000528	... Ferrule, ignition, outer casing.....	2	ditto	...
022133	... Control parts, set of, Lucas 457117.....	1	ditto	...

PART NUMBER.	DESCRIPTION.	QTY.	USED ON.	PRICE EACH £ s. d.
--------------	--------------	------	----------	-----------------------

### THROTTLE CONTROL CABLE.

022019	Cable, complete, assembled, throttle	1	G3LS, G3LCT, G3LCS	
022124	Cable, complete, assembled, throttle	1	G80S, G80CS	
000535-40 $\frac{1}{16}$	Wire, inner, throttle, 40 $\frac{1}{16}$ ins., finished length	1	G3LS, G3LCT, G3LCS	
000535-40 $\frac{3}{16}$	Wire, inner, throttle, 40 $\frac{3}{16}$ ins., finished length	1	G80S, G80CS	
017242	Nipple, carburetter end, throttle inner wire	1	All	
017266	Nipple, handlebar end, throttle inner wire	1	All	
021408	Casing, outer, throttle, with oil nipple adaptor	1	All	
000528	Ferrule, throttle outer casing	2	All	
000051	Nipple, oil, for casing	1	All	
018987	Adaptor, for oil nipple	1	All	

### AIR CONTROL CABLE.

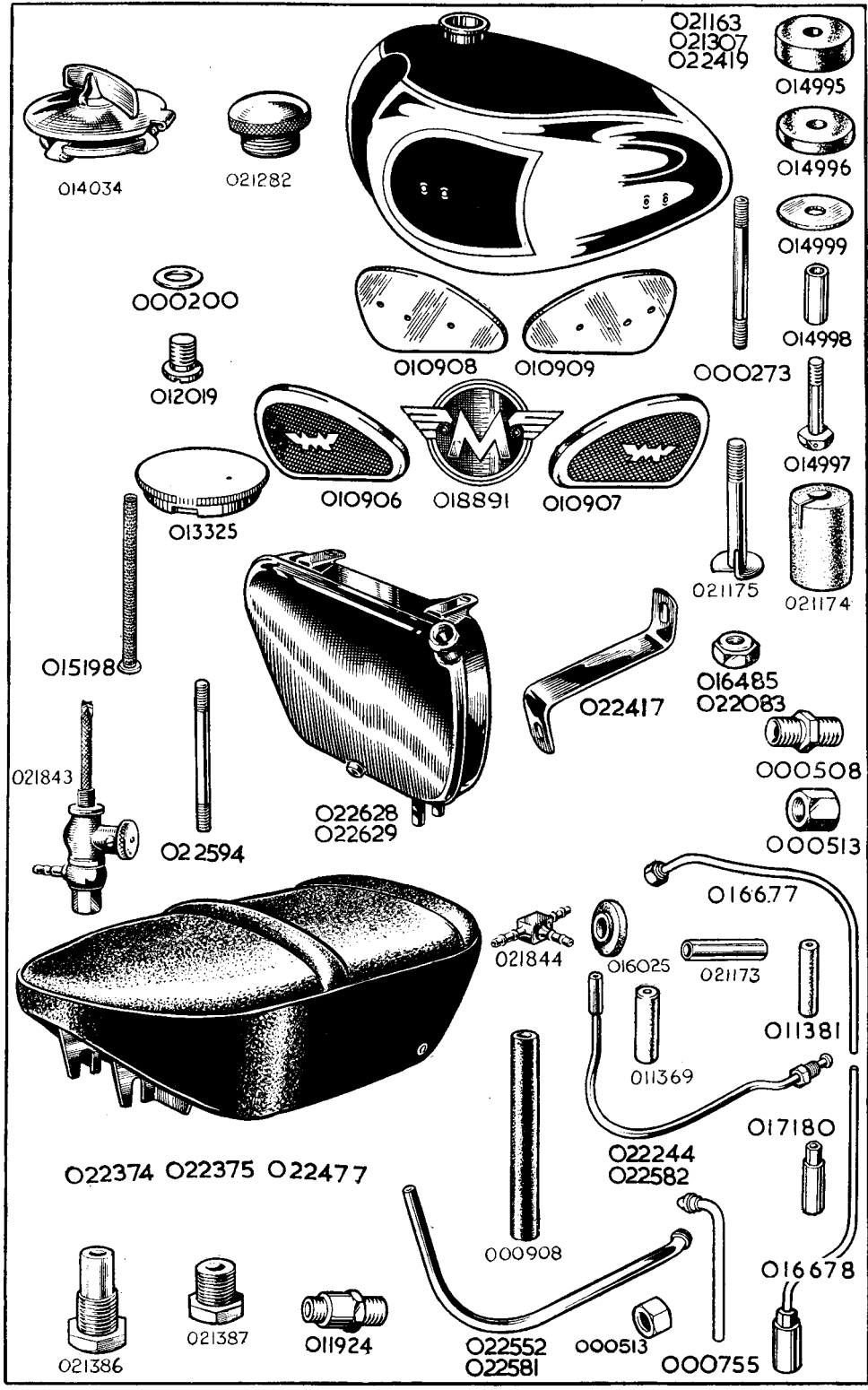
022022	Cable, complete, assembled, air	1	G3LS, G3LCT, G3LCS	
022023	Cable, complete, assembled, air	1	G80S, G80CS	
000527-37 $\frac{7}{8}$	Wire, inner, air, 37 $\frac{7}{8}$ ins., finished length	1	G3LS, G3LCT, G3LCS	
000527-38 $\frac{3}{16}$	Wire, inner, air, 38 $\frac{3}{16}$ ins., finished length	1	G80S, G80CS	
017242	Nipple, carburetter end, air, inner wire	1	All	
017266	Nipple, handlebar end, air, inner wire	1	All	
000526-32 $\frac{1}{8}$	Casing, outer, air, 32 $\frac{1}{8}$ ins., finished length	1	All	
000528	Ferrule, air, outer casing	2	All	

## TANK SECTION

PART NUMBER.	DESCRIPTION.	QTY.	USED ON.	PRICE EACH £ s. d.
--------------	--------------	------	----------	-----------------------

### PETROL TANK.

021163	Tank, petrol, bare, chrome and panelled	1	G3LS, G80S	
021307	Tank, petrol, bare, enamelled and lined	1	G3LS, G80S	
022419	Tank, petrol, bare, enamelled and lined	1	G3LCT, G3LCS, G80CS	
018891	Motif, for petrol tank	2	G3LS, G80S	
018896	Seating, rubber, for tank motif	2	G3LS, G80S	
000153	Screw, fixing tank motif	4	G3LS, G80S	
014997	Bolt, fixing tank, all positions	4	G3LS, G80S	
014999	Washer, tank fixing bolt	4	G3LS, G80S	
014995	Pad, rubber, tank fixing bolt, thick	4	G3LS, G80S	
014996	Pad, rubber, tank fixing bolt, thin	4	G3LS, G80S	
014998	Sleeve, metal, tank fixing bolt	4	G3LS, G80S	
017051	Wire, copper, 5 ft. by 20 S.W.G., for tank bolts	1	G3LS, G80S	
021175	Bolt, fixing tank, front	2	G3LCT, G3LCS, G80CS	
000273	Stud, fixing tank, at rear	1	G3LCT, G3LCS, G80CS	
021174	Pad, rubber, for front fixing bolt	2	G3LCT, G3LCS, G80CS	
016025	Pad, rubber, for rear fixing bolt	2	G3LCT, G3LCS, G80CS	
021173	Spacer, for tank rear fixing stud	1	G3LCT, G3LCS, G80CS	
000174	Washer, plain, tank rear fixing stud	2	G3LCT, G3LCS, G80CS	
021453	Washer, tank, front fixing bolt	2	G3LCT, G3LCS, G80CS	
016845	Nut, tank, front fixing bolt	2	G3LCT, G3LCS, G80CS	
022083	Nut, tank, rear fixing stud	2	G3LCT, G3LCS, G80CS	



PART NUMBER.	DESCRIPTION.	QTY.	USED ON.	PRICE EACH £ s. d.
<b>PETROL TANK FITTINGS.</b>				
013325	... Cap, filler .....	1	G3LS, G80S ...	
014034	... Cap, filler .....	1	G3LCT, G3LCS, G80CS...	
013936	... Pin, split, for filler cap .....	1	G3LCT, G3LCS, G80CS...	
021843	... Tap, for petrol feed with filter and banjo .....	2	All ...	
000200	... Washer, fibre, for petrol tap .....	2	All ...	
022110	... Banjo, for petrol feed pipe .....	2	All ...	
022056	... Washers, fibre, for banjo .....	2	All ...	
022111	... Nut, dome, retaining banjo .....	2	All ...	
022112	... Cork, for petrol feed tap .....	1	G3LS, G80S ...	
010906	... Grip, knee, left hand side .....	1	G3LS, G80S ...	
010907	... Grip, knee, right hand side .....	1	G3LS, G80S ...	
010908	... Plate, for left hand grip .....	1	G3LS, G80S ...	
010909	... Plate, for right hand grip .....	1	G3LS, G80S ...	
000348	... Bolt, for knee grip plate .....	4	G3LS, G80S ...	
021386	... Adaptor, for petrol tap, long .....	1	G3LCT, G3LCS, G80CS...	
021387	... Adaptor, for petrol tap, short .....	1	G3LCT, G3LCS, G80CS...	
000183	... Washer, for petrol tap adaptors .....	2	G3LCT, G3LCS, G80CS...	
<b>OIL TANK.</b>				
022628	... Tank, oil bare .....	1	G3LS, G80S ...	
022431	... Tank, oil, bare .....	1	G3LCT, G3LCS, G80CS...	
021282	... Cap, filler, for oil tank .....	1	All ...	
021329	... Washer, for filler cap .....	1	All ...	
012019	... Plug, drain, oil tank .....	1	All ...	
000200	... Washer, fibre, oil tank drain plug .....	1	All ...	
022417	... Bracket, oil tank, seat tube .....	1	G3LS, G80S ...	
000070	... Bolt, oil tank bracket .....	1	G3LS, G80S ...	
000012	... Washer, plain, oil tank bracket bolt .....	1	G3LS, G80S ...	
000070	... Bolt, fixing oil tank .....	3	G3LS, G80S ...	
000012	... Washer, plain, oil tank fixing bolt .....	6	G3LS, G80S ...	
000005	... Nut, oil tank fixing bolt .....	3	G3LS, G80S ...	
022594	... Stud, oil tank fixing .....	2	G3LCT, G3LCS, G80CS...	
000011	... Washer, plain, oil tank fixing stud .....	2	G3LCT, G3LCS, G80CS...	
000004	... Nut, oil tank fixing stud .....	2	G3LCT, G3LCS, G80CS...	
<b>PETROL PIPES.</b>				
000908-2 $\frac{1}{2}$	... Flexible tubing, short, 2 $\frac{1}{2}$ ins. ....	1	All ...	
000908-2	... Flexible tubing, short, 2 ins. ....	1	G3LCT, G3LCS, G80CS...	
000908-4	... Flexible tubing, long, 4 ins. ....	1	G3LS, G80S ...	
0009C8-3 $\frac{3}{4}$	... Flexible tubing, long, 3 $\frac{3}{4}$ ins. ....	1	G3LCT, G3LCS, G80CS...	
000908-5	... Flexible tubing, long .....	1	G3LS, G80S ...	
021844	... Petrol pipe " T " piece .....	1	All ...	
<b>OIL PIPES.</b>				
022252	... Pipe, oil feed .....	1	G3LS, G80S ...	
022581	... Pipe, oil feed .....	1	G3LCT, G3LCS, G80CS...	
011369	... Connection, rubber, for oil feed pipe .....	1	All ...	
011924	... Union, oil feed pipe (engine end) .....	1	All ...	
011925	... Nut, union, for oil feed pipe .....	1	All ...	
015198	... Filter, metal gauze, for oil feed pipe .....	1	All ...	
015528	... Washer, fibre, for engine end oil feed pipe .....	1	All ...	
022244	... Pipe, oil return .....	1	G3LS, G80S ...	

PART NUMBER.	DESCRIPTION.	QTY.	USED ON.	PRICE EACH £ s. d.
--------------	--------------	------	----------	-----------------------

**OIL PIPES—continued.**

022582	... Pipe, oil return .....	1	G3LCT, G3LCS, G80CS...	...
011369	... Connection, rubber, for oil return pipe.....	1	All	...
016677	... Pipe, rocker box oil feed, top portion .....	1	All	...
016678	... Pipe, rocker box oil feed, bottom portion.....	1	All	...
011381	... Connection, rubber, for rocker box oil feed pipe .....	1	All	...
000513	... Nut, union, rocker box pipe, top end .....	1	All	...
017180	... Nut union (extended type), rocker box pipe, bottom end	1	All	...

**VENT PIPES.**

000755	... Pipe, oil discharge, for release valve .....	1	All	...
018742	... Extension, for release pipe .....	1	G3LCT, G3LCS, G80CS...	...
018743	... Rubber, for release pipe extension.....	1	G3LCT, G3LCS, G80CS...	...
018744	... Clip, for release pipe extension .....	1	G3LCT, G3LCS, G80CS...	...
000908-7 $\frac{3}{4}$	... Pipe, vent (rubber), for oil tank, 7 $\frac{3}{4}$ ins. long .....	1	G3LS, G80S	...
000908-5	... Pipe, vent (rubber) for oil tank, 5 ins. long .....	1	G3LCT, G3LCS, G80CS...	...
022570	... Pipe, vent, assembled.....	1	G3LCT, G3LCS, G80CS...	...

**WHEEL AND BRAKE SECTION**

PART NUMBER.	DESCRIPTION.	QTY.	USED ON.	PRICE EACH £ s. d.
--------------	--------------	------	----------	-----------------------

**FRONT WHEEL.**

THE COMPLETE WHEELS LISTED BELOW COMPRISE :—  
Rim, spokes, nipples, hib, hub disc, grease nipple, all bearings, and all brake parts including cover plate and expander lever, but does not include the tyre.

022686	... Wheel, front, complete with all fittings, chrome rim—red centre (Export only) .....	1	G3LS, G80S	...
022687	... Wheel, front, complete with all fittings, chrome rim—black centre.....	1	ditto	...
022688	... Wheel, front, complete with all fittings, chrome rim ...	1	G3LCT, G3LCS, G80CS...	...

THE BARE WHEELS LISTED BELOW COMPRISE :—  
Rim, spokes, nipples, and hub.

021989	... Wheel, front, bare, less all fittings, chrome rim—red centre (Export only) .....	1	G3LS, G80S	...
021990	... Wheel, front, bare, less all fittings, chrome rim—black centre .....	1	ditto	...
021991	... Wheel, front, bare, less all fittings, chrome rim .....	1	G3LCT, G3LCS, G80CS...	...
012876	... Rim, front, 19 ins. by 2 $\frac{1}{2}$ ins., chrome—red centre (Export only) (A.M.C. 23).....	1	G3LS, G80S	...
012220	... Rim, front, 19 ins. by 2 $\frac{1}{2}$ ins., chrome—black centre (AMC 23).....	1	ditto	...
021151	... Rim, front, 21 ins. by 2 $\frac{1}{4}$ ins., chrome.....	1	G3LCT, G3LCS, G80CS...	...
021152	... Spoke, front.....	40	G3LS, G80S	...
021153	... Spoke, front.....	40	G3LCT, G3LCS, G80CS...	...
021154	... Nipple, front, .250 in. by 11 G.....	40	All	...
021461	... Hub, front wheel, shell only with brake drum.....	1	All	...
000051	... Nipple, grease, for front wheel hub .....	1	All	...
011090	... Tape, for 19 ins. by 2 $\frac{1}{2}$ ins., rim } .....	1	G3LS, G80S	...
013692	... Tape, for 21 ins. by 2 $\frac{1}{4}$ ins., rim .....	1	G3LCT, G3LCS, G80CS...	...
011708	... Bolt, security, for front wheel .....	1	ditto	...
021464	... Disc, for R.H. side of hub .....	1	All	...
021550	... Grommet, rubber, for disc .....	1	G3LCT, G3LCS, G80CS...	...

PART NUMBER.	DESCRIPTION.	QTY.	USED ON.	PRICE EACH £ s. d.
--------------	--------------	------	----------	-----------------------

### FRONT WHEEL BEARINGS.

012825	... Spindle, with roller bearings, for front wheel	1	All	...
010579	... Oil-seal, for front hub bearings	2	All	...
017219	... Ring, spring, locating front hub bearings	1	All	...
018093	... Cup, for front hub bearing oil-seal	2	All	...
018096	... Ring, retaining front hub bearing oil-seals	2	All	...
021279	... Nut, lock, for front hub bearing adjusting ring	1	All	...
021161	... Ring, adjusting, for front hub bearing	1	All	...
021931	... Nut, locating front brake cover plate	1	All	...
018071	... Nut, outside, securing front brake cover plate	1	All	...
000001	... Nut, front wheel spindle, left side	1	All	...
000008	... Washer, plain, front wheel spindle, left side	1	All	...

### REAR WHEEL.

THE COMPLETE WHEELS LISTED BELOW COMPRISE :—

Rim, spokes, nipples, hub, grease nipple and all bearings assembled, but does **NOT** include the centre solid spindle, washers, spacers, nuts, brake parts, sprocket and brake drum, speedometer drive and tyre.

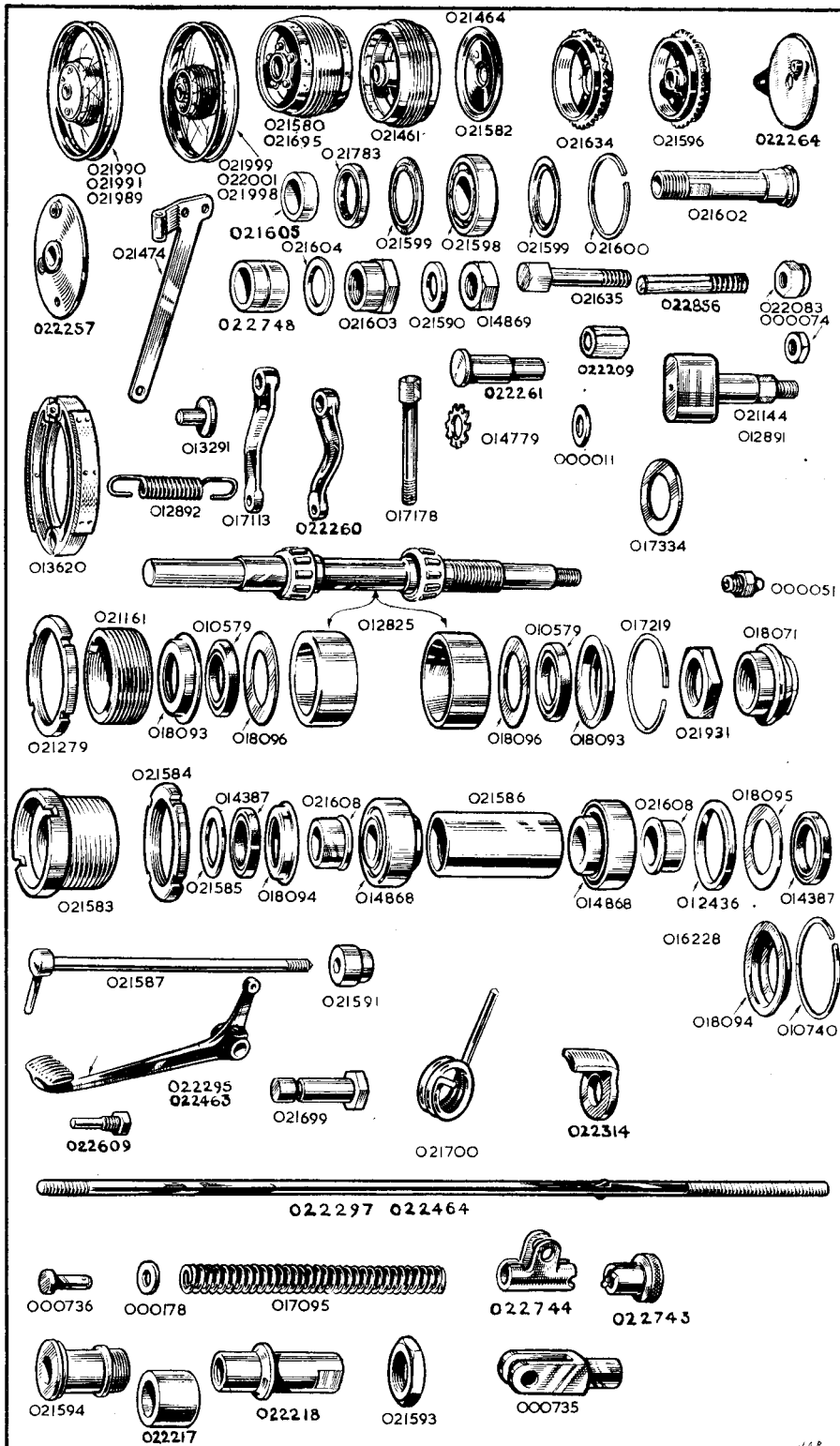
021994	... Wheel, rear, with all fittings, chrome rim—red centre (Export only)	1	G3LS, G80S	...
021995	... Wheel, rear, with all fittings, chrome rim—black centre	1	ditto	...
021997	... Wheel, rear, complete, with all fittings, chrome rim	1	G3LCT, G3LCS, G80CS	...

THE BARE WHEELS LISTED BELOW COMPRISE :—

Rim, spokes, nipples and hub.

021998	... Wheel, rear, bare (less fitting) chrome rim—red centre (Export only)	1	G3LS, G80S	...
021999	... Wheel, rear, bare (less fittings) chrome rim—black centre	1	ditto	...
022001	... Wheel, rear, bare, less all fittings, chrome rim	1	G3LCT, G3LCS, G80CS	...
021815	... Rim, rear, chrome rim—red centre (Export only) (A.M.C. 24)	1	G3LS, G80S	...
021814	... Rim, rear, chrome rim—black centre (A.M.C. 24)	1	ditto	...
021817	... Rim, rear, 19 ins. by 3 ins., chrome (A.M.C. 25)	1	G3LCT, G3LCS, G80CS	...
021691	... Spoke, rear, left or right, 6 $\frac{1}{8}$ ins. by 10 G	40	G3LS, G80S	...
021692	... Spoke, rear, left or right, 6 $\frac{1}{8}$ ins. by 8 G	40	G3LCT, G3LCS, G80CS	...
021693	... Nipple, rear, left or right, .250 in. by 10 G	40	G3LS, G80S	...
021694	... Nipple, rear, left or right, .300 in. by 8G	40	G3LCT, G3LCS, G80CS	...
021580	... Hub, rear wheel, shell only	1	G3LS, G80S	...
021695	... Hub, rear wheel, shell only	1	G3LCT, G3LCS, G80CS	...
021550	... Grommet, rubber, for disc	1	ditto	...
021582	... Disc, for right hand side of hub	1	All	...
000051	... Nipple, grease, for rear wheel hub	1	All	...
011090	... Tape, for 19 ins. rear rim	1	All	...
011707	... Bolt, security, for rear wheel	2	G3LCT, G3LCS, G80CS	...

WHEN IN DOUBT REGARDING THE NAMES AND PART NUMBERS OF THE PARTS YOU REQUIRE, PLEASE SEND THE OLD PARTS TO SERVE AS PATTERNS.



PART NUMBER.	DESCRIPTION.	QTY.	USED ON.	PRICE EACH £ s. d.
<b>REAR WHEEL BEARINGS.</b>				
014868	Bearings, roller, for rear hub (only sold as a complete bearing)	2	All	...
014387	Oil-seal, for rear hub bearings	2	All	...
010740	Ring, spring, locating rear hub bearings	1	All	...
021587	Ring, retaining rear hub bearing oil seals, small	1	All	...
018095	Ring, retaining rear hub bearing oil seals, large	1	All	...
018094	Cup, for rear hub bearing oil seal	1	All	...
012436	Collar, spacing, between bearing and rear hub bearing oil seal	1	All	...
021586	Spacer, 2 $\frac{9}{16}$ ins. long between the two bearings rear hub	1	All	...
021583	Ring, adjusting, for rear hub bearings	1	All	...
021584	Nut, lock, for rear hub bearing adjusting ring	1	All	...
021587	Spindle, centre, solid, for rear wheel	1	All	...
021608	Spacer, on spindle, for oil seals	2	All	...
021594	Spacer, on rear wheel solid spindle, for speedometer gearbox (carries nut)	1	All	...
021593	Nut, locking speedometer gearbox	1	All	...
021591	Spacer, rear wheel solid spindle (abuts against fork end), speedometer side	1	All	...
014869	Nut, for rear wheel solid spindle	1	All	...
021590	Washer, for rear wheel solid spindle	1	All	...
<b>FRONT BRAKE.</b>				
021744	Drum, front brake (must be fitted at works)	1	All	...
021766	Screw, fixing front brake drum to hub shell	5	All	...
011846	Locknut, for brake drum screw	5	All	...
022257	Plate, cover, front brake	1	All	...
021474	Stay, front brake cover plate anchor	1	All	...
014807	Bolt, fixing anchor stay to front cover plate, $\frac{5}{8}$ in. by $\frac{3}{8}$ in. by 26	1	All	...
014119	Washer, special, for anchor stay bolt	1	All	...
022261	Pin, fulcrum, for brake shoes	1	All	...
021563	Screw, front brake shoe pin	1	All	...
000009	Washer, plain (inner for pin)	1	All	...
013620	Shoes, pair of, for front brake, with brake linings and thrust pins (only supplied in pairs) per pair	1	All	...
013291	Pin, thrust, brake expander adjusting	2	All	...
000174	Washer, plain, for thrust pin	R	All	...
022832	Linings, brake, per pair of, less rivets	1	All	...
000113	Rivets, for brake linings per set of	14	All	...
012892	Spring, for brake shoes	2	All	...
021144	Expander, for brake shoes	1	All	...
017334	Washer, packing for expander bush	1	All	...
022260	Lever, for front brake shoe expander	1	All	...
000051	Nipple, grease, for brake shoe expander	1	All	...
000174	Washer, plain, for brake shoe expander	1	All	...
000004	Nut, for brake shoe expander	1	All	...
<b>REAR BRAKE.</b>				
021596	Sprocket, and brake drum, for rear wheel, 42 teeth	1	G3LS, G80S	...
021634	Sprocket, and brake drum, for rear wheel, 42 teeth	1	G3LCT, G3LCS, G80CS	...
021607	Pin, driving, in hub (Before Frame No. 46953)	5	G3LS, G80S	...
022856	Pin, driving, in hub (After Frame No. 46953)	5	G3LS, G80S	...
022209	Collar, driving, pin in hub (After Frame No. 46953)	5	G3LS, G80S	...
021635	Bolt, retaining sprocket to rear hub, $\frac{3}{8}$ in. by $\frac{5}{16}$ in. by 26	5	G3LCT, G3LCS, G80CS	...
022083	Nut, for driving pin	5	G3LS, G80S, G3LCT, G3LCS, G80CS	...
000011	Washer, for brake drum retaining bolt	5	G3LCT, G3LCS, G80CS	...
022264	Plate, cover, rear brake	1	All	...
022748	Spacer, for cover plate, outer	1	All	...
021605	Spacer, for cover plate, inner	1	G3LS, G80S	...



PART NUMBER.	DESCRIPTION.	QTY.	USED ON.	PRICE EACH £ s. d.
--------------	--------------	------	----------	-----------------------

### REAR BRAKE—continued

022218	Spacer, for cover plate, inner	1	G3LCT, G3LCS, G80CS...	
022217	Spacer, rear hub end	1	G3LCT, G3LCS,	
021598	Bearing, ball, for brake drum	1	G3LS, G80S	
021599	Washer, for brake drum bearing	1	G3LS, G80S	
021600	Circlip, for brake drum bearing	1	G3LS, G80S	
021783	Oil seal, for brake drum bearing	1	G3LS, G80S	
021602	Spindle, dummy, for bearing	1	G3LS, G80S	
021603	Nut, for dummy spindle	1	G3LS, G80S	
021604	Washer, for dummy spindle	1	G3LS, G80S	
013620	Shoes, pair of, for rear brake, with brake linings and thrust pins (only supplied in pairs).....per pair	1	All	
013291	Pin, thrust, brake expander adjusting	2	All	
000174	Washer, plain, for thrust pin	R	All	
022832	Linings, brake, per pair of, less rivets	1	All	
000113	Rivets, for brake linings.....per set of	14	All	
012892	Spring, for brake shoes	2	All	
012891	Expander, for brake shoes	1	All	
017113	Lever, for rear brake shoe expander	1	All	
000174	Washer, plain, for brake shoe expander	1	All	
000004	Nut, for brake shoe expander	1	All	
000051	Nipple, grease, for brake shoe expander	1	All	

### REAR BRAKE OPERATING PARTS.

022293	Pedal, foot, for rear brake	1	G3LS, G80S	
022463	Pedal, foot, for rear brake	1	G3LCT, G3LCS, G80CS...	
022609	Bolt, foot, pedal	1	All	
021699	Fulcrum, rear, brake pedal	1	All	
000051	Nipple, grease, for rear brake foot pedal	1	All	
021700	Spring, return, rear brake pedal	1	All	
022314	Stop, for rear brake pedal	1	All	
022297	Rod, rear brake, bare	1	G3LS, G80S	
022464	Rod, rear brake, bare	1	G3LCT, G3LCS, G80CS...	
000735	End, yoke, for rear end of brake rod	1	All	
000736	Pin, for brake rod yoke end	1	All	
000014	Pin, split, for brake rod yoke end pin	1	All	
017095	Spring, for brake rod	1	All	
022744	Clip, adjusting, for front end of brake rod	1	All	
000736	Pin, for brake rod adjusting clip	1	All	
000014	Pin, split, for brake rod adjusting cup pin	1	All	
022743	Nut, adjusting, for rear brake rod	1	All	

## ELECTRICAL SECTION

PART NUMBER.	DESCRIPTION.	QTY.	USED ON.	PRICE EACH £ s. d.
--------------	--------------	------	----------	-----------------------

### MAGNETO.

015487	Magneto, type NR-1 (Lucas 42179E)	1	G3LCT, G3LCS, G80CS...	★
021352	Magneto, type SR-1	1	G3LS, G80S	★
For components and service for 015487 magneto apply to nearest LUCAS SERVICE STATION				
458019	Cover, bakelite, for SR-1 magneto	1	G3LS, G80S	
458194	Gasket, for bakelite cover	1	G3LS, G80S	
145220	Screw, fixing bakelite cover	3	G3LS, G80S	
458053	Contact set, for SR-1 magneto	1	G3LS, G80S	
021680	Auto-control unit with sprocket	1	G3LS	
021354	Auto-control unit with sprocket	1	G80S	
498157	Spring, set, for auto advance unit	1	G3LS	
416060	Spring, set, for auto advance unit	1	G80S	
015488	Pipe, vent, rubber, for magneto	1	G3LCT, G3LCS, G80CS...	
021194	Pipe, vent, metal, for magneto	1	G3LCT, G3LCS, G80CS...	

PART NUMBER.	DESCRIPTION.	QTY.	USED ON.	PRICE EACH		
				£	s.	d.

### MAGNETO FIXING PARTS.

010820	Platform, for magneto	1	All	...	...
000340	Bolt, fixing magneto, $\frac{1}{2}$ in by $\frac{1}{4}$ in. by 20	4	All	...	...
000012	Washer, plain, magneto front fixing bolt	2	All	...	...
010824	Stud, fixing platform at rear, $6\frac{3}{8}$ ins. by $\frac{5}{16}$ in. by 26	1	All	...	...
101823	Stud, fixing platform at front, $6\frac{3}{8}$ ins. by $\frac{5}{8}$ in. by 26	1	All	...	...
010822	Spacer $1\frac{9}{16}$ in. long ( $\frac{5}{16}$ in. internal), platform, rear fixing stud	1	All	...	...
010821	Spacer, $1\frac{9}{16}$ in. long ( $\frac{5}{8}$ in. internal), platform front fixing stud	1	All	...	...
022703	Rubber, sealing, magneto to chaincase	1	G3LS, G80S	...	...
022178	Rubber, sealing, magneto to chaincase	1	G3LCT, G3LCS, G80CS...	...	...

### DYNAMO.

016599	Dynamo, type E3N-L-O (Lucas No. 20028-A)	1	All	...	...
200737	Set of brushes, for E3N Dynamo	1	All	...	...
200826	Cover assembly	1	All	...	...

### DYNAMO.

010962	Strip, dynamo. locating	1	All	...	...
000044	Screw, fixing locating strip to dynamo, $\frac{5}{8}$ in. by 1 BA	2	All	...	...
000025	Washer, plain, for locating strip screw	2	All	...	...
017197	Strap, clamping dynamo	1	All	...	...
010963	Pin, hinge, for dynamo clamping strap	1	All	...	...
017145	Sleeve, threaded, for eye of dynamo strap	1	All	...	...
018002	Bolt, tightening dynamo strap, $2\frac{1}{2}$ ins. by $\frac{5}{16}$ in. by 26	1	All	...	...
010926	Crossbar, square, for dynamo clamping strap	1	All	...	...

### VOLTAGE REGULATOR.

022543	Regulator, complete unit, type MCR 2 (Lucas No. 37224-A)	1	G3LS, G80S	...	...
015070	Regulator, complete unit, type MCR 2 (Lucas No. 37144-A)	1	G3LCT, G3LCS, G80CS...	...	...
022597	Rubber, for voltage regulator	1	G3LS, G80S	...	...
022720	Pad, rubber support for voltage regulator	1	G3LS, G80S	...	...
000342	Bolt, fixing regulator unit, $\frac{1}{16}$ in. by $\frac{1}{4}$ in. by 26	2	G3LCT, G3LCS, G80CS...	...	...
018160	Nut, for regulator fixing bolt	2	ditto	...	...
011094	Grommet, for cable	1	G3LS, G80S	...	...

### BATTERY.

022345	Battery, with lid, dry and uncharged	1	G3LS, G80S	...	Surcharge
011225	Battery, with lid, dry and uncharged	1	G3LCT, G3LCS, G80CS	...	Surcharge

These are batteries that have not been filled with electrolyte (acid) and is, of course, not charged. They require no special packing, and can be safely packed with other goods. (We do not supply charged batteries—for such apply to nearest Lucas Service Station).

4159075	Lid, only, with rubber pads, for battery	1	G3LS, G80S	...	...
4159062	Lid, only, with rubber pads, for battery	1	G3LCT, G3LCS, G80CS...	...	...

★ Price on application.

PART NUMBER.	DESCRIPTION.	QTY.	USED ON.	PRICE EACH £ s. d.
<b>HEADLAMP.</b>				
021802 ...	Lamp, head, with bulb, ammeter, switch, no cable harness (not Europe).....	1	G3LS, G80S ...	
021803 ...	Lamp, head, with bulb, ammeter, switch, no cable harness (Europe, except France).....	1	G3LS, G80S ...	
021804 ...	Lamp, head, with ammeter and switch, less cable harness and bulb (France only) .....	1	G3LS, G80S ...	
014963 ...	Lamp, head, type MU42, with bulbs, ammeter, switch and socket, no cable harness.....	1	G3LCT, G3LCS, G80CS... ..	
516951 ...	Shell only, top half, for head lamp .....	1	G3LS, G80S ...	
516952 ...	Shell only, bottom half, for head lamp .....	1	G3LS, G80S ...	
553248 ...	Rim, bare, for head lamp .....	1	G3LS, G80S ...	
550899 ...	Rim, bare, for head lamp .....	1	G3LCT, G3LCS, G80CS... ..	
553925 ...	Light unit, reflector and glass (not Europe) .....	1	G3LS, G80S ...	
553940 ...	Light, unit, reflector and glass (Europe, except France) .....	1	G3LS, G80S ...	
553948 ...	Light unit, reflector and glass (France only).....	1	G3LS, G80S ...	
550875 ...	Glass, only, for head lamp.....	1	G3LCT, G3LCS, G80CS... ..	
553147 ...	Reflector, only, with bulb holders .....	1	G3LCT, G3LCS, G80CS... ..	
555005 ...	Adaptor, bulb holder (not France).....	1	G3LS, G80S ...	
186131 ...	Screw, fixing panel to head lamp.....	3	G3LCT, G3LCS, G3LCS... ..	
112201 ...	Bolt, fixing head lamp to bracket .....	2	ditto ... ..	
137141 ...	Washer, plain, head lamp fixing bolts.....	2	ditto ... ..	
014340 ...	Spacer, between head lamp and brackets .....	2	ditto ... ..	
<b>REAR LAMP.</b>				
022126 ...	Lamp, rear, complete (Lucas, L-564) .....	1	G3LS, G80S ...	
021879 ...	Lamp, rear, complete (Lucas, 529) .....	1	G3LCT, G3LCS, G80CS... ..	
573839 ...	Window cover, red .....	1	G3LS, G80S ...	
526404 ...	Window cover, red .....	1	G3LCT, G3LCS, G80CS... ..	
575200 ...	Window cover, white .....	1	G3LS, G80S ...	
526406 ...	Window cover, white .....	1	G3LCT, G3LCS, G80CS... ..	
575208 ...	Gasket, rubber, for window cover .....	1	G3LS, G80S ...	
526408 ...	Seat, rubber, for lamp .....	1	G3LCT, G3LCS, G80CS... ..	
552928 ...	Screw, retaining window cover .....	2	G3LS, G80S ...	
133551 ...	Screw, retaining window cover .....	2	G3LCT, G3LCS, G80CS... ..	
575209 ...	Bulb holder .....	1	G3LS, G80S ...	
554719 ...	Bulb holder and cable .....	1	G3LCT, G3LCS, G80CS... ..	
575207 ...	Grummet, rubber, for bulb holder.....	1	G3LS, G80S ...	
860428 ...	Wires, rear lamp, with Paxoline washer .....	1	G3LS, G80S ...	
573825 ...	Cap, rubber, covering, cable entry .....	1	G3LS, G80S ...	
166014 ...	Nut, retaining body to number plate.....	2	G3LS, G80S ...	
188330 ...	Washer, spring, for fixing nut .....	2	G3LS, G80S ...	
526410 ...	Screw securing lamp to number plate .....	3	G3LCT, G3LCS, G80CS... ..	
166103 ...	Nut, for securing screw.....	3	G3LCT, G3LCS, G80CS... ..	
188412 ...	Washer, foil nut .....	3	G3LCT, G3LCS, G80CS... ..	
021503 ...	Reflector, rear.....	1	G3LCT, G3LCS, G80CS... ..	
<b>STOP LIGHT PARTS. (Optional extra).</b>				
022002 ...	Complete kit of stoplight parts .....	1	G3LS, G80S ...	
022031 ...	Switch, for stop light.....	1	ditto ... ..	
022032 ...	Bracket, for stop light switch .....	1	ditto ... ..	

PART NUMBER.	DESCRIPTION.	QTY.	USED ON.	PRICE EACH £ s. d.
--------------	--------------	------	----------	-----------------------

**STOP LIGHT PARTS—continued**

018721	... Spring, pull off, for switch.....	1	G3LS, G80S	...
018764	... Clip, for pull off spring .....	1	ditto	...
000738	... Screw, securing switch and spring clip .....	3	ditto	...
000739	... Nut, for securing spring .....	3	ditto	...
000039	... Washer, for securing spring .....	2	ditto	...
022836	... Cable, lamp to switch and battery, pair.....	1	ditto	...
000269	... Snap connector, for cable .....	1	ditto	...
018220	... Cable, clip, rubber .....	1	ditto	...
011908	... Cable clip, rubber .....	2	ditto	...
014453	... Cable clip, metal.....	1	ditto	...

**SIDE LAMP.**

52224	... Lamp, side, complete (type 516) .....	2	G3LS, G80S	...
516719	... Grummet, rubber, for side lamp.....	2	ditto	...
573615	... Lens, for side lamp.....	2	ditto	...
573646	... Rim and bead, for side lamp.....	2	ditto	...

**HORN.**

022529	... Horn, electric, with bracket.....	1	G3LS, G80S	...
015257	... Horn, electric, with bracket.....	1	G3LCT, G3LCS, G80CS...	...
011569	... Horn, bulb .....	1	G3LCT, G3LCS, G80CS...	...
015245	... Bracket, for electric horn.....	1	G3LCT, G3LCS, G80CS...	...
012565	... Bolt, fixing horn.....	2	G3LS, G80S	...
000039	... Washer, for horn fixing bolt .....	2	G3LS, G80S	...
000080	... Nut, for horn fixing bolt .....	2	G3LS, G80S	...
015706	... Washer, rubber, for electric horn mounting.....	2	G3LCT, G3LCS, G80CS...	...
015707	... Washer, plain, for electric horn mounting .....	1	G3LCT, G3LCS, G80CS...	...
000193	... Washer, spring, for horn mounting .....	1	G3LCT, G3LCS, G80CS...	...
000010	... Washer, plain, for horn mounting .....	1	G3LCT, G3LCS, G80CS...	...
015705	... Nut, sleeve, for electric horn mounting.....	1	G3LCT, G3LCS, G80CS...	...

**ELECTRICAL SUNDRIES.**

36084	... Ammeter, for head lamp .....	1	All	...
351567	... Handle, with screw, for main lighting switch .....	1	All	...
380521	... Switch, dipping .....	1	G3LCT, G3LCS, G80CS...	...
022548	... Switch, dipping, and horn button, combined .....	1	G3LS, G80S	...
380459	... Packing, rubber, for dipping and horn switch .....	1	G3LS, G80S	...
021299	... Screw, fixing switch to handlebar .....	2	G3LS, G80S	...
021637	... Switch, for horn .....	1	G3LCT, G3LCS, G80CS...	...
997831	... Cable harness, main lighting (no dip switch wire, no horn wire, no regulator wires) .....	1	G3LS, G80S	...
021309	... Cable harness, main lighting, and horn with socket.....	1	G3LCS, G3LCS, G80CS...	...
858795	... Cable harness, triple, for dipping switch .....	1	All	...
860595	... Cable harness, for regulator.....	1	All	...
359218	... Cable, for horn .....	1	All	...
016681	... Sheath, for horn cable .....	1	All	...
000543	... Cable, high tension, for sparking plug, per foot .....	R	All	...
809793	... Plug, for head lamp.....	1	G3LCT, G3LCS, G80CS...	...
809795	... Socket, for main harness .....	1	G3LCT, G3LCS, G80CS...	...
000541	... Terminal, for high tension cable .....	1	All	...
000269	... Connector, snap, for rear lamp and regulator .....	2	All	...

PART NUMBER.	DESCRIPTION.	QTY.	USED ON.	PRICE EACH £ s. d.
<b>ELECTRICAL SUNDRIES—continued.</b>				
011094 ...	Bush, rubber, for rear lamp cable .....	1	G3LS, G80S ...	
312 ...	Bulb, head lamp, main, 6 volt, 30 by 24 watt (not Europe).....	1	G3LS, G80S ... Plus purchase tax	
988 ...	Bulb, for side lamp, 6 volt, 3 watts .....	2	G3LS, G80S ... Plus Purchase Tax	
384 ...	Bulb, rear lamp, 6 volt, 18 and 6 watt, Double contact .....	1	G3LS, G80S ... Plus Purchase Tax	
951 ...	Bulb, rear lamp, 6 volt, 6 watts S.B.C. ....	1	G3LCT, G3LCS, G80CS... .. Plus Purchase Tax	
200 ...	Bulb, head lamp, pilot, 6 volt, 3 watts. S.B.C. ....	1	G3LCT, G3LCS, G80CS... .. Plus Purchase Tax	
168 ...	Bulb, head lamp, main, 6 volt, 24 by 24 watts .....	1	G3LCT, G3LCS, G80CS... .. Plus Purchase Tax	
015547 ...	Plug, sparking, KLG, type FE-80 .....	1	G3LS, G80S ...	
015538 ...	Plug, sparking, KLG, type FE-80 .....	1	G3LCT, G3LCS,	
015399 ...	Cover, waterproof, for sparking plug.....	1	G3LCT, G3LCS, G80CS... ..	
018895 ...	Interference suppressor.....	1	All ... ..	
021310 ...	Cover, for dynamo terminals .....	1	All ... ..	

## ACCESSORY SECTION

PART NUMBER.	DESCRIPTION.	QTY.	USED ON.	PRICE EACH £ s. d.
<b>COMPLETE TOOL KITS.</b>				
022026 ...	Tool kit, complete, with tyre inflator.....	1	G3LS, G80S ...	
022797 ...	Tool kit, complete, with tyre inflator.....	1	G3LCT, G3LCS, G80CS... ..	
022027 ...	Tool kit, complete, less tyre inflator .....	1	G3LS, G80S ...	
022798 ...	Tool kit, complete, less tyre inflator .....	1	G3LCT, G3LCS, G80CS... ..	
<b>TOOLS.</b>				
017523 ...	Bag, for tools .....	1	All ... ..	
021265 ...	Screwdriver .....	1	All ... ..	
017248 ...	Pliers, side cutting .....	1	All ... ..	
011188 ...	Pliers, for gudgeon pin circlips.....	1	All ... ..	
017246 ...	Gun, grease .....	1	All ... ..	
017114 ...	Inflator, tyre .....	1	All ... ..	
017007 ...	Lever, tyre .....	2	All ... ..	
017052 ...	Spanner, double end, $\frac{3}{16}$ in. by $\frac{1}{4}$ in. ....	2	All ... ..	
017053 ...	Spanner, double end, $\frac{3}{16}$ in. by $\frac{5}{8}$ in. ....	1	All ... ..	
018178 ...	Spanner, double end, 1.010 in. by 1.2 in. ....	1	All ... ..	
017257 ...	Spanner, double end, $\frac{3}{8}$ in. by .375 in. ....	1	All ... ..	
017252 ...	Spanner, box, with tommy, for sparking plug .....	1	All ... ..	
017254 ...	Spanner, single end, dynamo chain and clutch adjustment .....	1	All ... ..	
017249 ...	Wrench, adjustable.....	1	All ... ..	
015023 ...	Spanner, double end, with gauge, for contacts (Lucas No. 415116).....	1	G3LCT, G3LCS, G80CS... ..	
021889 ...	Screwdriver, magneto .....	1	G3LS, G80S ...	
015213 ...	Spanner, box, $\frac{5}{8}$ in. ....	1	All ... ..	
018055 ...	Key, for handlebar clip screw .....	1	All ... ..	
018667 ...	Key, for fork crown pinch screw.....	1	G3LS, G80S ...	
015264 ...	Spanner.....	1	G3LS, G80S ...	
000174 ...	Washer, brake shoe thrust pin .....	8	All ... ..	

PART NUMBER.	DESCRIPTION.	QTY.	USED ON.	PRICE EACH £ s. d.
--------------	--------------	------	----------	-----------------------

### SPECIAL TOOLS.

017482	Holder, valve, for valve grinding	1	All	...
018276	Compressor, for valve spring removal	1	All	...
022011	Disc, timing (see Instruction Book)	1	All	...

The above tools are NOT INCLUDED in the equipment of a new motor cycle of a "complete" tool kit.

### VARIOUS EQUIPMENT.

018691	Bar, locking, for fork crown	1	All	...
022829	Set of Panniers complete, with frames, fixing bolts, nuts, and washers set	1	G3LS, G80S	...
	Plus Purchase Tax	2	G3LS, G80S	...
022824	Bag, Pannier, left or right	2	G3LS, G80S	...
	Plus Purchase Tax, each bag	1	G3LS, G80S	...
022825	Frame, only, for Pannier bag, left	1	G3LS, G80S	...
022826	Frame, only, for Pannier bag, right	1	G3LS, G80S	...
022827	Bolt, fixing frames at bottom	2	G3LS, G80S	...
000347	Bolt, fixing frames at top	2	G3LS, G80S	...
000073	Nut, for bottom fixing bolt	2	G3LS, G80S	...
018160	Nut, for top fixing bolt	2	G3LS, G80S	...
000012	Washer, for top fixing bolt	2	G3LS, G80S	...
011957	"TEKALL" Rust preventative, 1/2 pint	R	All	...
011958	"TEKALL" Rust preventative, 1 pint	R	All	...
B-M-H	Badge, monogram, Matchless, for button hole	R	All	...
B-M-T	Badge, monogram, Matchless, for tie	R	All	...
B-M-B	Badge, monogram, Matchless, for brooch	R	All	...
	Instruction Manual	R	All	...

### SPEEDOMETERS.

022006	Speedometer, trip, complete, 120 M.P.H.	1	G3LS, G80S	...
022010	Speedometer, trip, complete, 180 K.P.H.	1	G3LS, G80S	...
021448	Speedometer, trip, complete, 120 M.P.H.	1	G3LCT, G3LCS, G80CS	...
021450	Speedometer, trip, complete, 180 K.P.H.	1	G3LCT, G3LCS, G80CS	...
021793	Head, only, speedometer, trip, 120 M.P.H.	1	G3LS, G80S	...
021795	Head, only, speedometer, trip, 180 K.P.H.	1	G3LS, G80S	...
021422	Head, only, speedometer, trip, 120 M.P.H. (491/1)	1	G3LCT, G3LCS, G80CS	...
021423	Head, only, speedometer, trip, 180 K.P.H. (491/7)	1	G3LCT, G3LCS, G80CS	...
53279-1	Set of bulb holding parts, for head	1	All	...
53205	Bulb, 6 volt, 1.8 watts, M.B.C., for head	1	All	...
	Plus Purchase Tax	2	All	...
N-1253	Nut, fixing speedometer head to bracket or lamp	2	G3LCT, G3LCS, G80CS	...
000012	Washer, for speedometer head fixing nut	2	G3LCT, G3LCS, G80CS	...
W-7216	Washer, spring, speedometer bracket nut	2	All	...
53395-1-65	Cable, speedometer drive, complete	1	All	...
52108-1-65	Cable, speedometer drive, inner, only	1	All	...
53398-1-65	Cable, speedometer drive outer, only	1	All	...
52283-5	Gearbox, for speedometer, complete	1	All	...
016945	Bracket, for speedometer head	1	G3LCT, G3LCS, G80CS	...
022057	Bracket, retaining speedometer head in lamp	1	G3LS, G80S	...
000362	Bolt, fixing speedometer bracket to forks	2	G3LCT, G3LCS, G80CS	...
000011	Washer, plain, speedometer bracket bolt	2	G3LCT, G3LCS, G80CS	...
000192	Washer, spring, speedometer bracket bolt	2	G3LCT, G3LCS, G80CS	...
021798	Grommet, rubber, for speedometer head in headlamp	1	G3LS, G80S	...
021454	Washer, outside speedometer gearbox	1	All	...
021799	Grommet, rubber, for speedometer cable in fork crown	1	All	...

PART NUMBER.	DESCRIPTION.	QTY.	USED ON.	PRICE EACH £ s. d.
<b>CABLE CLIPS.</b>				
011907 ...	Clip, rubber, 1 $\frac{1}{8}$ ins.....	4	All ...	...
011908 ...	Clip, rubber, 3 $\frac{1}{2}$ ins. ....	3	All ...	...
018220 ...	Clip, rubber, 4 $\frac{3}{8}$ ins. ....	5	All ...	...
014453 ...	Clip, metal, holding rear lamp wire inside mudguard...	1	All ...	...

**GASKETS**

Gaskets are supplied\* as separate spares and in complete sets. Single gaskets are listed in the groups to which they belong. Complete sets are listed below.

022920 ...	Decarbonising gasket set .....	1	G3LS, G80S ...
022921 ...	Decarbonising gasket set .....	1	G3LCT ...
022922 ...	Decarbonising gasket set .....	1	G3LCS, G80CS ...
022917 ...	Complete gasket set .....	1	G3LS, G80S ...
022918 ...	Complete gasket set .....	1	G3LCT ...
022919 ...	Complete gasket set .....	1	G3LCS, G80CS ...

**SERVICE**

The **Service and Repair Department** is situated in **Burrage Grove, Plumstead, London, S.E.18.** **Burrage Grove** is the first turning on the left from Burrage Road when entering Burrage Road from the Plumstead Road. (See final paragraph below).

The nearest Railway Station is **WOOLWICH ARSENAL, SOUTHERN REGION RAILWAY.** This Station is five minutes' walk from our Service Depot in Burrage Grove. There is an excellent service of electric trains from Charing Cross, Waterloo, Cannon Street and London Bridge Stations, Southern Region Railway.

Bus Routes 53, 54, 163, 99, 122, 122a, 177 and Trolleybus routes 696 and 698, pass the end of Burrage Road (one minute from the Service Depot).

Bus routes 186, 75 and 161 serve **Beresford Square** which is three minutes' walk from the **Service and Repair Department.**

Visitors from the North can pass into Woolwich *via* the Free Ferry between North Woolwich and Woolwich. North Woolwich is a British Railways terminus and is also served by Bus and Trolleybus routes 101, 569, 669 and 685. There is also a tunnel under the River Thames at this point for foot passengers. The Free Ferry accommodates all types of motor vehicles and there is a very frequent service. The Southern landing stage is less than a mile from the Service Depot.

Visitors arriving by road, if they are strangers to the locality, should enquire for **Beresford Square, Woolwich.** Upon arrival there, the road skirting the Royal Arsenal should be followed in an Easterly direction for about four hundred yards, and Burrage Road is the second turning on the right after leaving the square. Burrage Grove is then the first turning on the left.

# INDEX

<b>BADGES</b>	Page		Page
Button hole ... ..	53	<b>ENGINE</b>	
Coat ... ..	53	Axles ... ..	7
Tie ... ..	53	Bearings ... ..	8
<b>BRAKES</b>		Big-end ... ..	7
Cables ... ..	40	Bolts ... ..	8
Front ... ..	47	Bush (gudgeon) ... ..	7
Levers ... ..	37	Connecting Rod ... ..	7
Rear ... ..	47	Cover Tubes ... ..	10
Rods ... ..	48	Crankcases ... ..	8
<b>CABLES</b>		Crankpin ... ..	7
Clips ... ..	54	Cylinder ... ..	5
Control ... ..	41 to 42	Cylinder Heads ... ..	5
Electric ... ..	51	Flywheels ... ..	7
Speedometer ... ..	53	Gaskets ... ..	54
<b>CARBURETTERS</b>		Heads (cylinder) ... ..	5
Air cleaners ... ..	16	Oil Pump ... ..	10
Complete ... ..	15 to 16	Push Rods ... ..	10
Jets ... ..	16	Re-boring ... ..	7
Mixing bodies ... ..	15	Release Valve ... ..	10
Valves ... ..	15	Rings (piston) ... ..	6 to 7
<b>CARRIAGE Charges</b> ... ..	2	Rocker Box ... ..	11
<b>CARRIERS</b>		Rocker Box Stay ... ..	11 to 12
Battery ... ..	34	Rockers ... ..	11
Luggage ... ..	31	Small End Bush ... ..	7
Pannier Bags ... ..	53	Tappets ... ..	10
Pannier Frames ... ..	53	Timing Gear ... ..	10
<b>CHAINS</b>		Valve Lifter ... ..	11
Complete ... ..	17	Valves ... ..	5
Links ... ..	17	<b>FORKS</b>	
<b>CORRESPONDENCE</b>		Front ... ..	27 to 30
Instructions ... ..	3	Front Assemblies ... ..	27
<b>DAMPERS</b>		Rear ... ..	26
Rear Leg ... ..	26	<b>FOOTRESTS</b>	
Steering ... ..	30	Pillion ... ..	36
<b>ELECTRICAL</b>		Riders ... ..	34
Battery ... ..	49	<b>FRAME</b>	
Battery carrier ... ..	34	Bolts ... ..	24
Bulbs ... ..	52	Engine Plates ... ..	24
Cable clips ... ..	54	Front Fork ... ..	27 to 30
Dynamos ... ..	49	Front Frame ... ..	24
Dynamo Fixing Parts ... ..	49	Rear Fork ... ..	26
Horns ... ..	51	Rear Frame ... ..	24
Lamps, Head ... ..	50	Rear Leg ... ..	26
Lamps, Rear ... ..	50	<b>GASKETS</b> Sets of ... ..	54
Magneto ... ..	48		
Magneto Fixing Parts ... ..	49		
Sparking plugs ... ..	52		
Sundries ... ..	51		
Switches ... ..	51		
Voltage Regulator ... ..	49		



# INDEX

<b>GEARBOX</b>	Page	<b>REPAIRS</b>	Page
Bearings ... ..	19	Conditions ... ..	3
Clutch ... ..	21	Proprietary Parts ... ..	3
Clutch Operating Parts ... ..	23	<b>RUST PREVENTATIVE</b>	
Complete Boxes ... ..	17	Tekall ... ..	53
Fixing Parts ... ..	17	<b>SEATS</b>	
Gear Operating Parts ... ..	21	Riders ... ..	36
Gears ... ..	19	<b>SERVICE</b>	
Kick-starter ... ..	23	Details ... ..	2
Shafts ... ..	19	Location ... ..	54
Shells ... ..	19	<b>SILENCERS</b>	
Small Sprockets ... ..	21	Boxes and Extensions ... ..	13
<b>GUARANTEE</b> Terms of ... ..	3	<b>SPARES</b> How to Order ... ..	2
<b>GUARDS</b>		<b>SPEEDOMETERS</b>	
Chaincase, Front ... ..	32	Complete ... ..	53
Chainguard, Rear ... ..	34	Components ... ..	53
Mudguard, Front ... ..	31	<b>SPROCKETS</b>	
Mudguard, Rear, Competition ... ..	31	Clutch ... ..	21
Mudguard, Rear, Touring ... ..	31	Dynamo ... ..	17
<b>HANDLEBAR</b>		Engine ... ..	16
Bar only ... ..	30	Gear Box ... ..	21
Control Levers ... ..	37 to 40	Magneto ... ..	17
Grips ... ..	37	Rear Wheel ... ..	47
<b>IDENTIFICATION</b>		<b>STANDS</b>	
Machine Numbers ... ..	2	Centre ... ..	30
<b>INSTRUCTION BOOK</b>		Prop ... ..	30
Details of ... ..	3	<b>TANKS</b>	
<b>LEG</b> Rear ... ..	26	Oil ... ..	43
<b>LEVERS</b> (Control)		Petrol ... ..	41
Air ... ..	37 to 40	<b>TERMS OF BUSINESS</b>	
Brake ... ..	37 to 39	Details ... ..	2
Clutch ... ..	39	<b>TOOLS</b>	
Exhaust ... ..	40	Boxes ... ..	36
Ignition ... ..	39	Complete Kits ... ..	52
Twist Grip ... ..	37	Separate Tools ... ..	52
<b>MUDGUARDS</b> See Guards		Special Tools ... ..	53
<b>PACKING</b> Cost of ... ..	2	<b>TRANSFERS</b>	
<b>PATTERNS</b> Identification ... ..	3	Complete Sets ... ..	37
<b>PIPES</b>		Separate Items ... ..	37
Exhaust ... ..	13	<b>WHEELS</b>	
Oil ... ..	43	Bearings, Front ... ..	45
Petrol ... ..	43	Bearings, Rear ... ..	47
Vent ... ..	44	Wheels, Front ... ..	44
<b>PLATES</b>		Wheels, Rear ... ..	45
Engine ... ..	24		
Number, Front ... ..	32		
Number, Rear ... ..	32		

## ILLUSTRATIONS

	Page
CARBURETTER .....	14
CLUTCH AND KICK-STARTER .....	22
CONTROL LEVERS .....	38
CRANKCASE AND TIMING GEAR .....	9
CYLINDERS, HEADS, PISTONS AND VALVES .....	4
FRAME AND TELEHYDRAULIC REAR LEG .....	25
FRONT TELEHYDRAULIC FORKS AND STEERING DAMPER .....	29
GEAR BOX SHELLS .....	18
GEAR BOX, GEARS AND SHAFTS .....	30
ROCKER BOX AND ROCKERS AND EXHAUST PIPE .....	12
STANDS, GUARDS, CHAINCASES AND TOOL BOXES .....	37 and 35
TANKS AND PIPES .....	42
WHEELS AND BRAKES .....	46

## ALWAYS QUOTE THE COMPLETE ENGINE NUMBER

*(Including all the letters in it)*

THIS ENABLES THE MACHINE TO BE IDENTIFIED

---

EACH SERIES OF FRAMES IS NUMBERED FROM ZERO UPWARDS. THEREFORE THE QUOTATION OF A FRAME NUMBER ONLY DOES NOT FACILITATE IDENTIFICATION.