

SPARES LIST

FOR

1958 A·J·S

350 MODEL 16MS SPRING FRAME SINGLE TOURING
350 MODEL 16CT SPRING FRAME SINGLE, TRIALS
350 MODEL 16CS SPRING FRAME SINGLE, SCRAMBLES
500 MODEL 18S SPRING FRAME SINGLE, TOURING
500 MODEL 18CS SPRING FRAME SINGLE, SCRAMBLES
500 MODEL 20 SPRING FRAME TWIN, TOURING
600 MODEL 30 SPRING FRAME TWIN, TOURING
600 MODEL 30CS SPRING FRAME TWIN, SCRAMBLES



Compiled and Issued by the Manufacturers :

A·J·S MOTOR CYCLES

(Proprietors : ASSOCIATED MOTOR CYCLES LIMITED)

Registered Offices :

**PLUMSTEAD ROAD, PLUMSTEAD
LONDON, S.E.18 .. ENGLAND**

Nearest Station :
WOOLWICH ARSENAL
(Southern Railway)

Factories :
**BURRAGE GROVE and MAXEY ROAD
PLUMSTEAD, S.E.18**

Telegrams and Cables : "ICANHOPIT-WOL-LONDON"

Telephone: WOOLWICH 1 223 (5 Lines)

Codes : A.B.C. 5th and 6th Edition ; Bentley's ; and Private Codes

All correspondence to :—

A·J·S MOTOR CYCLES, PLUMSTEAD ROAD, LONDON, S.E.18

Price : THREE SHILLINGS AND SIXPENCE

(1) TERMS OF BUSINESS.

Our terms are:— CASH WITH ORDER.
CASH AGAINST PRO-FORMA INVOICE, OR
APPROVED LEDGER ACCOUNT.

Customers who wish to avoid delay can open deposit accounts and the usual deposit is £5.

Orders from abroad should be accompanied by a remittance to cover the costs of goods and postal charges.

We do not send goods by "CASH ON DELIVERY" (C.O.D.).

(2) PRICES AND SPECIFICATIONS.

All prices, specifications and conditions are subject to alteration without notice. The prices of spares do not include the costs of packing and carriage.

(3) CARRIAGE AND PACKING.

All invoices or spare parts will be SURCHARGED by 5 PER CENT. to cover the cost of packing and postage, or carriage, and the minimum surcharge is one shilling. (Home orders only).

A special packing case, or crate, is required for some spares to ensure freedom from damage in transit. In such circumstances a special charge for the value of the case, or crate, will be made in addition to the 5 per cent. surcharge but the special charge will be credited in full if the container is promptly returned to our factory carriage paid and in good condition.

(4) HOW TO ORDER SPARES.

STATE :— (a) The Model of the machine.
(b) The complete engine number. (See paragraph 5.)
(c) The frame number. (See paragraph 5.)
(d) The part of the spares required.
(e) A description of each spare.
(f) The quantity required of each item.
(g) How the spares are to be sent. (Post, Parcels Post, Passenger train or Goods train.)
(h) Your full name and address. These particulars are best written in BLOCK LETTERS.
(i) Mention if, or not, you have an account with us.

ALSO :— Unless you have a deposit or ordinary account, enclose a remittance to cover the cost of the spares plus the 5 per cent. surcharge. (See paragraph 3.)

When cash is sent any excess will be refunded without prior application.

NOTE :— When sending orders by telegram or cable do not omit your name and address from the message.

(5) IDENTITY.

To ensure the supply of correct spares it is essential we can identify the machine for which they are required. The ONLY WAY to do that is for us to know the COMPLETE ENGINE and frame numbers.

The engine number is stamped on the left side crankcase, under the cylinder, and may have one or more letters incorporated in it. THE COMPLETE NUMBER MUST BE QUOTED.

The frame number is stamped on the right-hand side of the frame lug that is below the saddle.

(6) SERVICE.

The **SERVICE AND REPAIR DEPARTMENT** is situated in **BURRAGE GROVE, PLUMSTEAD, LONDON, S.E.18**, and is open on Mondays to Fridays from 8.30 a.m. to 12.55 p.m.—2 p.m. to 5.30 p.m. It is closed on Saturdays, Sundays and National Holidays.

It exists for the purpose of :—

- (a) Giving technical assistance verbally or through the Post.
- (b) Supplying spare parts over the counter or through the Post.
- (c) Repairing and re-conditioning machines, or parts of machines, of our make.

If it is considered necessary to bring a machine, or parts, to the factory for an urgent repair IT IS ESSENTIAL you make an appointment beforehand to avoid disappointment. This can be done by letter or telephone.

(7) REPAIRS.

The instructions regarding repairs should be clear and definite, otherwise the cost may be greater than that expected. We shall be pleased to give estimates for repairs if parts are sent to us for that purpose. If the estimate is accepted, no charge is made for the preliminary examination, but, should it be decided not to have the work carried out, it may be necessary to make a charge to cover the cost of whatever dismantling and re-assembly may have been done to prepare the estimate.

(8) REPAIRS TO PROPRIETARY FITTINGS.

We do not repair carburetters, chains, electrical equipment, saddles, sparking plugs, speedometers and tyres. On page 90 of the "**MAINTENANCE MANUAL AND INSTRUCTION BOOK**" will be found the names and addresses of the manufacturers of the proprietary equipment we fit, all of whom service and repair equipment they make.

(9) PATTERNS.

Parts sent to us as patterns, or for repair, should have attached to them a label bearing the sender's full name and address. The instructions regarding such parts should be sent under separate cover.

(10) GUARANTEE.

All parts made by us, and sold as spares, are subject to the same Limited Guarantee as that issued with each new motor cycle and that guarantee is printed in full on Page 97 of the "**MAINTENANCE MANUAL AND INSTRUCTION BOOK.**"

(11) INSTRUCTION BOOK.

A "**MAINTENANCE MANUAL AND INSTRUCTION BOOK**" has been compiled and published by us.

One copy is supplied free, upon application, with each new motor cycle. Replacement copies four shillings each.

(12) CORRESPONDENCE.

Our routine is organised into different departments. Therefore delay cannot be avoided if matters relating to more than one department are contained in one letter.

Consequently when communicating with more than one department it is desirable to do so on SEPARATE SHEETS. Each sheet should bear the sender's name and address. **IN PARTICULAR,** requests for TECHNICAL ADVICE should not be on the same sheets as ORDERS FOR SPARE PARTS.

A·J·S MOTOR CYCLES,
PLUMSTEAD, LONDON, S.E.18.

THE PRICES OF SPARES DO NOT
INCLUDE THE COST OF CARRIAGE

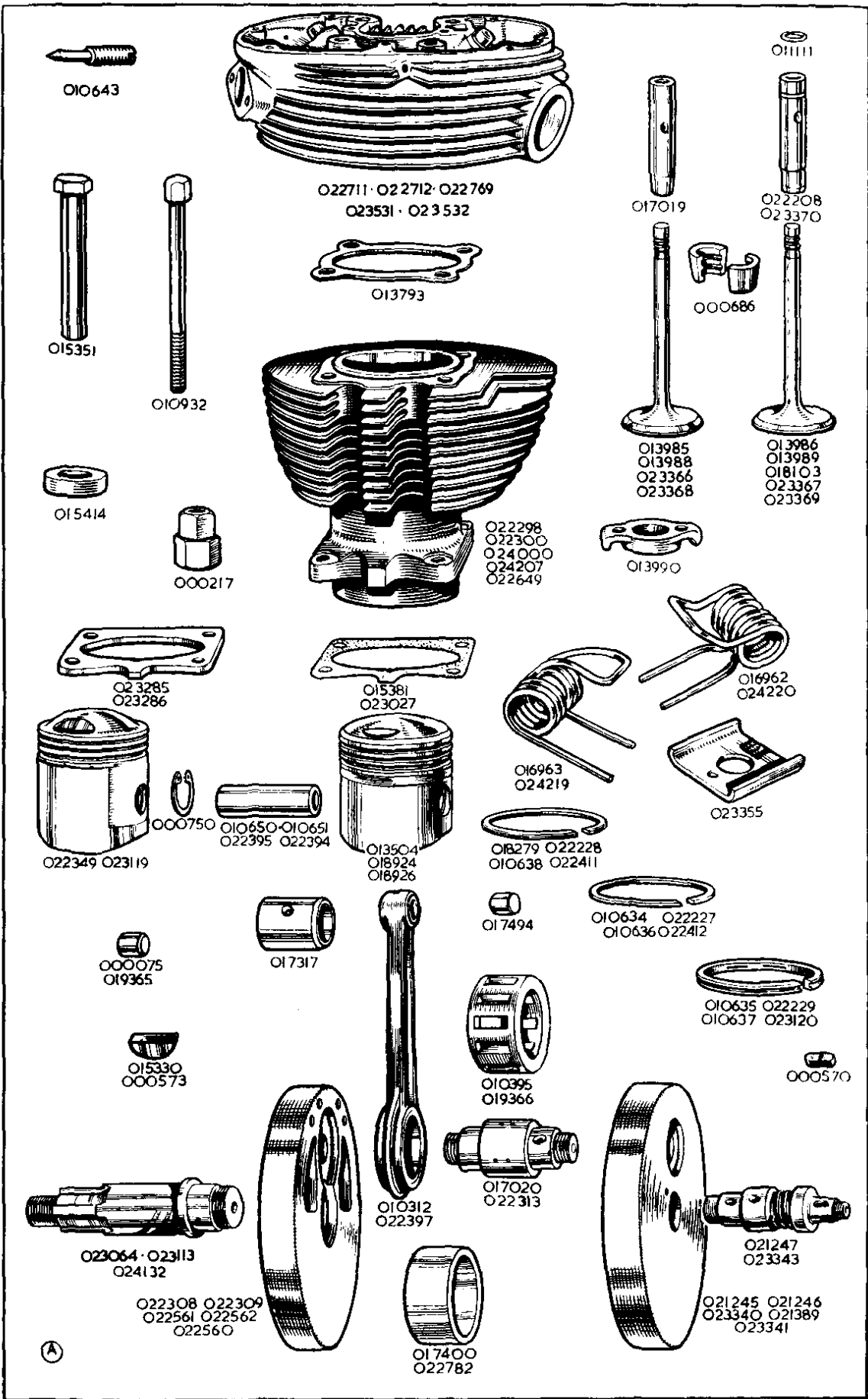
N O T E

The numbers, in brackets, that appear in the "Description" columns relate to the numbered foot notes regarding items so specially indicated.

The quantity per machine of each item are entered in the "Qty." columns. "R" indicates as may be required.

The illustrations are not to scale and are not necessarily accurate in detail.

Some items are not illustrated.



(A)

ENGINE SECTION

(SINGLE CYLINDER)

PART NUMBER	DESCRIPTION	QTY.	USED ON	PRICE EACH £ s. d.
CYLINDERS				
024000	Barrel, cylinder	1	16MS	...
024207	Barrel, cylinder	1	18S	...
023285	Plate, compression, $\frac{1}{16}$ in. thick, not Std. fitting	1	16MS	...
023286	Plate, compression, $\frac{3}{8}$ in. thick, not Std. fitting.....	1	18S	...
023027	Washer, paper, cylinder base	1	16MS, 18S	...
000217	Nut, retaining cylinder to crankcase	4	16MS, 18S	...
CYLINDER HEADS				
022711	Head, cylinder with valve guides.....	1	16MS	...
022712	Head, cylinder, with valve guides	1	18S	...
010643	Screw, needle adjusting, inlet valve oil feed. (Screws into cylinder head).....	1	All	...
011373	Nut, lock, needle adjusting screw	1	All	...
010932	Bolt, securing head to barrel, $3\frac{3}{4}$ in. by $\frac{3}{8}$ in. by 20	4	16MS, 18S	...
000010	Washer, plain, head securing bolt	4	16MS, 18S	...
013793	Gasket, for cylinder head	1	16MS, 18S	...
000291	Stud, fixing carburetter, 2 in. by $\frac{5}{16}$ in. by 22 by 26	2	All	...
000004	Nut, for carburetter fixing stud	2	All	...
ENGINE VALVES				
013985	Valve, inlet	1	16MS	...
013988	Valve, inlet	1	18S	...
013986	Valve, exhaust	1	16MS	...
013989	Valve, exhaust	1	18S	...
016963	Spring, for valve, wide prong	2	16MS, 18S	...
016962	Spring, for valve, narrow prong	2	16MS, 18S	...
013990	Collar, for valve spring	2	All	...
023355	Seat, for valve spring	2	All	...
000686	Collet, for valve (each in two pieces).....	2	All	...
017019	Guide, for inlet valve.....	1	All	...
022208	Guide, for exhaust valve	1	16MS, 18S	...
011111	Circlip, for exhaust valve guide	1	All	...
PISTONS				
018925	Piston, complete.....	1	16MS	...
018927	Piston, complete.....	1	18S	...
018924	Piston, bare	1	16MS	...
018926	Piston, bare	1	18S	...
018279	Ring, compression, $2\frac{3}{4}$ in. by $\frac{1}{16}$ in. (chrome plated)....	1	16MS	...
010638	Ring, compression, $3\frac{1}{4}$ in. by $\frac{1}{16}$ in. (chrome plated) ...	1	18S	...
010634	Ring, compression, $2\frac{3}{4}$ in. by $\frac{1}{16}$ in.	1	16MS	...
010636	Ring, compression, $3\frac{1}{4}$ in. by $\frac{1}{16}$ in.	1	18S	...
010635	Ring, scraper, $2\frac{3}{4}$ in. by $\frac{1}{8}$ in.	1	16MS	...
010637	Ring, scraper, $3\frac{1}{4}$ in. by $\frac{1}{8}$ in.	1	18S	...
010650	Pin, gudgeon	1	16MS	...
010651	Pin, gudgeon	1	18S	...
000750	Circlip, for gudgeon pin	2	All	...
<p>“Piston, complete” includes—Piston, one ordinary compression ring, one chrome plated compression ring, one scraper ring, gudgeon pin and two circlips.</p> <p>The following oversize parts can be supplied:—</p>				
018948	Piston, complete, .020 oversize	1	16MS	...
018949	Piston, complete, .040 oversize	1	16MS	...
018950	Piston, complete, .020 oversize	1	18S	...
021392	Piston, complete, .040 oversize	1	18S	...
018929	Piston, bare, .020 oversize	1	16MS	...
018930	Piston, bare, .040 oversize	1	16MS	...
018932	Piston, bare, .020 oversize	1	18S	...
021391	Piston, bare, .040 oversize	1	18S	...

PART NUMBER	DESCRIPTION	QTY.	USED ON	PRICE EACH £ s. d.
-------------	-------------	------	---------	-----------------------

PISTONS—continued

018280	... Ring, compression, $2\frac{2}{3}$ in. plus .020 in. by $\frac{1}{16}$ in. (chrome plated)	1	16MS	...
018281	... Ring, compression, $2\frac{2}{3}$ in. plus .040 in. by $\frac{1}{16}$ in. (chrome plated)	1	16MS	...
016443	... Ring, compression, $2\frac{2}{3}$ in. plus .020 in. by $\frac{1}{16}$ in.	1	16MS	...
016444	... Ring, compression, $2\frac{2}{3}$ in. plus .040 in. by $\frac{1}{16}$ in.	1	16MS	...
016445	... Ring, scraper, $2\frac{2}{3}$ in. plus .020 in. by $\frac{1}{8}$ in.	1	16MS	...
016446	... Ring, scraper, $2\frac{2}{3}$ in. plus .040 in. by $\frac{1}{8}$ in.	1	16MS	...
016449	... Ring, compression, $3\frac{1}{4}$ in. plus .020 in. by $\frac{1}{16}$ in. (chrome plated)	1	18S	...
016450	... Ring, compression, $3\frac{1}{4}$ in. plus .040 in. by $\frac{1}{16}$ in. (chrome plated)	1	18S	...
013661	... Ring, compression, $3\frac{1}{4}$ in. plus .020 in. by $\frac{1}{16}$ in.	1	18S	...
016447	... Ring, compression, $3\frac{1}{4}$ in. plus .040 in. by $\frac{1}{16}$ in.	1	18S	...
013662	... Ring, scraper, $3\frac{1}{4}$ in. plus .020 in. by $\frac{1}{8}$ in.	1	18S	...
016448	... Ring, scraper, $3\frac{1}{4}$ in. plus .040 in. by $\frac{1}{8}$ in.	1	18S	...

RE-BORING

Cylinders may be re-bored to .020 in. or to .040 in. oversize and normal compression pistons (with rings) (one chrome plated) supplied to suit.

16MS Model £3 1s. 10d. (New gudgeon pins and circlips 9s. 2d. extra).

18S Model £3 14s. 10d. (New gudgeon pins and circlips 9s. 8d. extra).

Cylinders sent for re-boring should be packed in stout cases which will be used by us for their return. Carriage is additional. If a complete machine, or engine, is sent to us for cylinder re-boring, there will be an additional charge, according to the time taken, for dismantling and assembly.

FLYWHEELS

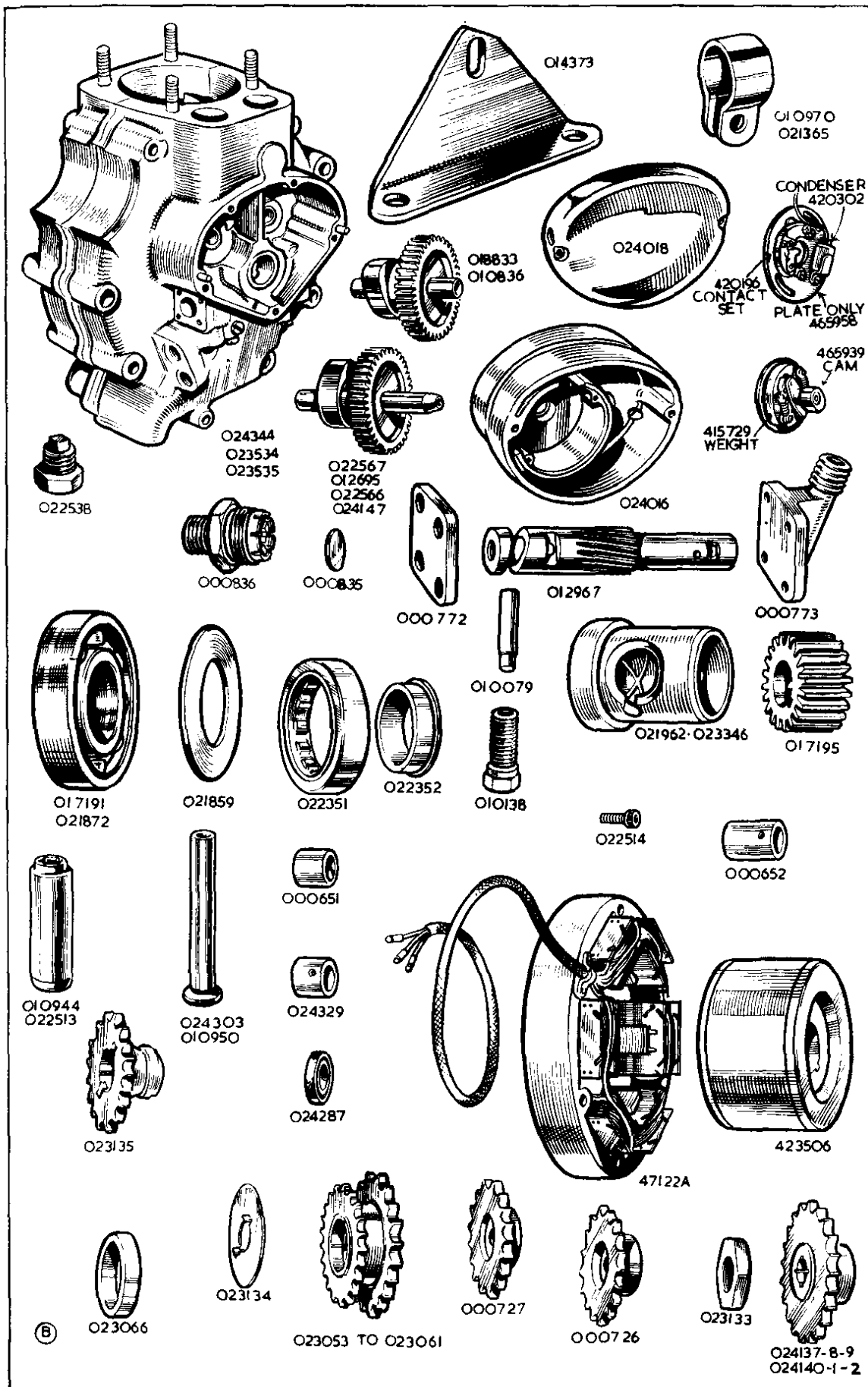
022560	... Flywheel, bare, driving side	1	16MS	...
022561	... Flywheel, bare, driving side	1	18S	...
021245	... Flywheel bare, timing side	1	16MS	...
021246	... Flywheel, bare, timing side	1	18S	...
021247	... Axle, timing side flywheel	1	16MS, 18S	...
024132	... Axle, driving side flywheel	1	16MS, 18S	...
000573	... Key, driving side flywheel axle	2	All	...
021249	... Nut, timing side flywheel axle	1	16MS, 18S	...
000234	... Nut, driving side flywheel axle	1	16MS, 18S	...

CONNECTING ROD

010312	... Rod, connecting with liner and bush	1	16MS, 18S	...
017400	... Liner for big-end bearing	1	16MS, 18S	...
017317	... Bush, for gudgeon pin	1	All	...
017020	... Crankpin, only	1	16MS, 18S	...
000075	... Roller, for Crankpin, $\frac{1}{2}$ in. by $\frac{1}{4}$ in.	30	16MS, 18S	...
010395	... Cage, for crankpin rollers	1	16MS, 18S	...
000233	... Nut, for crankpin	2	16MS, 18S	...

CRANKCASE

024344	... Crankcase, complete (1)	1	16MS, 18S	...
024346	... Crankcase, driving side only (4) (6)	1	16MS, 18S	...
022710	... Crankcase, timing side only (5) (6)	1	16MS, 18S	...
022538	... Filter, magnetic	1	All	...
000182	... Washer, magnetic filter	1	All	...
000485	... Screw, plug, for crankcase oil holes, $\frac{1}{4}$ in. by $\frac{1}{4}$ in. by 26	3	All	...
000203	... Washer, fibre, for oil hole screws	3	All	...
000300	... Stud, for cylinder base, $1\frac{3}{8}$ in. by $\frac{3}{8}$ in. by 26 and 20	4	16MS, 18S	...
000577	... Peg, dowel, locating timing gear cover	2	All	...
024016	... Timing case	1	16MS, 18S	...
017182	... Washer, paper, for timing gear cover	1	All	...
000482	... Screw, fixing timing gear cover, $1\frac{1}{16}$ in. by $\frac{1}{4}$ in. by 26	5	All	...
000765	... Cap, in timing gear cover, for cam bush	1	All	...
024018	... Cover, timing case	1	16MS, 18S	...
000455	... Screw, fixing timing case	2	16MS, 18S	...
024159	... Grommet, timing case cover	1	16MS, 18S	...



PART NUMBER	DESCRIPTION	QTY.	USED ON	PRICE EACH £ s. d.
-------------	-------------	------	---------	-----------------------

CRANKCASE—continued

000486	... Plug, oil return	1	All	...
Note 1	... Comprises 024346 and 022710.			
Note 4	... Comprises crankcase half and two cylinder base studs.			
Note 5	... Comprises crankcase half, bush for timing side flywheel axle with peg, two camshaft bushes, two cylinder base studs and two dowel pins for timing gear cover.			
Note 6	... Halves of crankcase must be "matched" in the Factory. Therefore, it is necessary to send the sound half of a crankcase when ordering a new half.			

CRANKCASE BEARINGS

021962	... Bush, timing side flywheel axle	1	16MS, 18S	...
012233	... Peg, securing timing side bush.....	1	All	...
021872	... Ball bearing, inner, for driving side axle, 1 in. by 2½ in. by ¾ in.	1	All	...
017191	... Ball bearing, outer, for driving side axle, 1 in. by 2½ in. by ⅝ in.	1	All	...
021859	... Washer, spacing, between ball bearings.....	1	All	...
000651	... Bush, for exhaust cam, in crankcase	1	All	...
000651	... Bush, for exhaust cam, in timing case.....	1	16MS, 18S	...
000651	... Bush, for inlet cam, in crankcase.....	1	All	...
024329	... Bush, for inlet cam, in timing case	1	16MS, 18S	...
024287	... Seal, oil, for inlet cam, in timing case.....	1	16MS, 18S	...

ENGINE PLATES AND CRANKCASE BOLTS, SINGLES

024208	... Engine plates, front, bare	2	16MS, 18S	...
024019	... Engine plates, rear, bare	2	16MS, 18S	...
024252	... Cover, for engine plates	1	16MS, 18S	...
000277	... Stud, crankcase, bottom front	1	All	...
000288	... Stud, crankcase, bottom rear	1	All	...
000303	... Stud, front engine plates (through frame).....	1	16MS, 18S	...
000278	... Stud, front engine plates, top	1	16MS, 18S	...
000278	... Stud, front engine, plates, bottom	1	All	...
000278	... Stud, rear engine plates (through crankcase), top.....	1	All	...
014147	... Stud, rear engine plates (through crankcase), bottom...	1	All	...
024276	... Stud, rear engine plates, centre	1	16MS, 18S	...
000004	... Nut, for ⅝ in. studs	11	All	...
000003	... Nut, for ⅜ in. stud	2	All	...
000011	... Washer, for ⅝ in. stud	11	All	...
000010	... Washer, for ⅜ in. stud	2	All	...
000002	... Nut, for centre stud	2	All	...
000009	... Washer, for centre stud	2	All	...

OIL PUMP

012967	... Plunger, oil pump	1	All	...
010138	... Screw, guide, oil pump plunger	1	All	...
010079	... Pin, guide screw, oil pump plunger.....	1	All	...
000773	... Cap, front end, oil pump	1	All	...
000772	... Cap, rear end oil pump.....	1	All	...
000582	... Washer, paper, pump end cap.....	2	All	...
000015	... Screw, fixing front end cap, oil pump, ⅜ in. by 3 BA ...	4	All	...
000591	... Bolt, fixing rear end cap, oil pump, ⅝ in. by 3 BA	4	All	...

RELEASE VALVE

000836	... Body, release valve.....	1	All	...
000835	... Diaphragm, for release valve	1	All	...

TIMING GEAR

012695	... Camshaft, exhaust	1	16MS, 18S	...
016847	... Washer, shim, .005 in. thick, for exhaust camshaft	R	All	...
016848	... Washer, shim, .010 in. thick, for exhaust camshaft	R	All	...
024147	... Camshaft, inlet	1	16MS, 18S	...
017195	... Pinion, timing, on flywheel axle	1	All	...
000570	... Key, for timing pinion	1	All	...
000221	... Nut, retaining timing pinion to axle (left hand thread)	1	All	...

PART NUMBER	DESCRIPTION	QTY.	USED ON	PRICE EACH £ s. d.
-------------	-------------	------	---------	-----------------------

TAPPETS

010950	... Tappet, bare	2	16MS, 18S	...
010944	... Guide, for tappet	2	16MS, 18S	...

PUSH RODS

018314	... Rod, long, push, complete (8)	2	16MS
018315	... Rod, long, push, complete (8)	2	18S
018168	... Rod, long, push, bare.....	2	16MS
015511	... Rod, long, push, bare.....	2	18S
000721	... End, ball, bottom of long push rod.....	2	All
018266	... Sleeve, tapped, top of long push rod	2	All
000592	... Screw, adjusting, top of long push rod	2	All
000216	... Nut, push rod adjusting screw.....	2	All

Note 8 ... " ROD, LONG, PUSH, COMPLETE " comprises—one long push rod with sleeve end, one bottom, ball end and one adjusting screw with lock nut.

PUSH ROD COVER TUBES

022288	... Tube, cover, for long push rod	2	16MS, 18S	...
010672	... Gasket, rubber, top of cover tube	2	16MS, 18S	...
016944	... Washer, metal, $\frac{3}{8}$ in. thick, located below 010672	2	16MS, 18S	...
011087	... Washer, metal, $\frac{3}{8}$ in. thick, located over 010672.....	2	16MS, 18S	...
011087	... Washer, metal, $\frac{3}{8}$ in. thick, located over 010672 when compression plate fitted (two in each location)	4	16MS
014603	... Washer, metal, $\frac{1}{8}$ in. thick, located over 010672 when compression plate fitted	2	18S
000691	... Gland, rubber, bottom of cover tube.....	2	16MS, 18S	...

ROCKER BOX

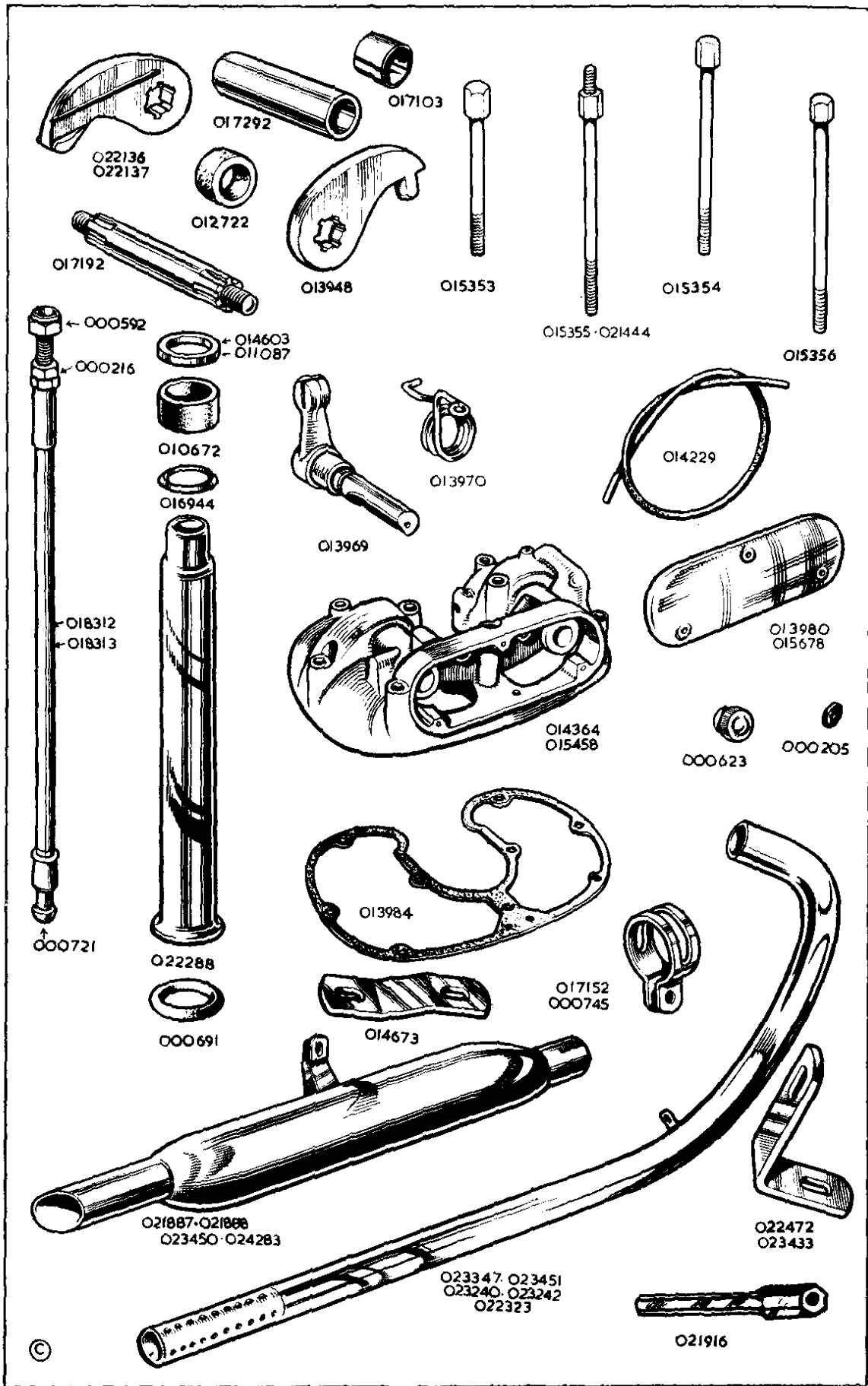
022142	... Rocker box, assembled (10)	1	16MS, 18S	...
014364	... Rocker box, with bushes (11)	1	16MS, 18S	...
013958	... Rocker box, bare	1	16MS, 18S	...
013984	... Gasket, for rocker box	1	All
017103	... Bush, for rocker box	4	All
013980	... Cover, side, for rocker box	1	16MS, 18S	...
018890	... Plugs, metering	3	All
014229	... Fillet, rubber, rocker box side cover	1	All
000251	... Stud, fixing rocker box side cover	3	All
000623	... Nut, for rocker box side cover stud	3	All
000205	... Washer, fibre, for rocker box side cover stud	3	All
000508	... Union, oil, in rocker box	1	All
015353	... Bolt, fixing rocker box, short, $1\frac{1}{8}$ in. by $\frac{5}{8}$ in. by 22...	4	All
015354	... Bolt, fixing rocker box, long, $2\frac{1}{2}$ in. by $\frac{5}{8}$ in. by 22...	2	All
015355	... Bolt, fixing rocker box, long, $2\frac{3}{8}$ in. by $\frac{5}{8}$ in. by 22 with extension $\frac{5}{8}$ in. by 26	2	16MS, 18S	...
021444	... Bolt, fixing rocker box, with extension	2	All
015356	... Bolt, fixing rocker box, centre position, $3\frac{5}{8}$ in. by $\frac{5}{8}$ in. by 22.....	1	All
000011	... Washer, plain, rocker box fixing bolts	9	All

Note 10 ... Includes all parts listed in this paragraph (except gasket, fixing bolts and washers), and all those listed under " OVERHEAD ROCKERS " and " EXHAUST VALVE LIFTER ".

Note 11 ... This is a " bare " rocker box to which is fitted four 017103 bushes, two 012722 felt rings and oil metering plugs 018890.

OVERHEAD ROCKERS

017192	... Axle, rocker	2	All
017292	... Sleeve, for rocker axle	2	All
022136	... Arm, rocker, valve end, inlet	1	All
022137	... Arm, rocker, valve end, exhaust	1	All
013948	... Arm, rocker, tappet end, inlet and exhaust	2	All
000010	... Washer, plain, for rocker axle	4	All
000003	... Nut, for rocker axle	4	All
012722	... Ring, felt, for rocker axle sleeve	2	All



PART NUMBER	DESCRIPTION	QTY.	USED ON	PRICE EACH £ s. d.
-------------	-------------	------	---------	-----------------------

EXHAUST VALVE LIFTER

013969	... Lever, exhaust lifter	1	All	...
014523	... Ring, sealing, for valve lifter lever	1	All	...
013970	... Spring, for valve lifter lever	1	All	...
000451	... Screw, anchor valve lifter spring, $\frac{1}{2}$ in. by 2 BA	1	All	...
000039	... Washer, plain valve lifter spring screw	1	All	...

ROCKER BOX STAY

014373	... Stay, for rocker box	1	All	...
000004	... Nut, fixing stay to rocker box bolt extension	2	All	...
000011	... Washer, plain, rocker box bolt extension	2	All	...
010970	... Clip, for rocker box stay	1	All except 16CT	...
000364	... Bolt, for rocker box stay clip, $\frac{1}{8}$ in. by $\frac{5}{8}$ in. by 26 ...	1	All	...
000011	... Washer, plain, rocker box stay clip bolt	1	All	...
000004	... Nut, forker box stay clip bolt	1	All	...
000011	... Washer, rocker box stay	R	All	...

GASKETS

Engine gaskets are supplied as separate spares and in complete sets.
Single gaskets are listed in the groups to which they belong.
Gaskets in sets are listed in page 56.

EXHAUST PIPE AND SILENCER SECTION (SINGLE CYLINDER)

PART NUMBER	DESCRIPTION	QTY.	USED ON	PRICE EACH £ s. d.
-------------	-------------	------	---------	-----------------------

EXHAUST PIPES

023447	... Pipe, exhaust, bare	1	16MS	...
022323	... Pipe, exhaust, bare	1	18S	...
021916	... Support, for exhaust pipe	1	16MS, 18S	...
000362	... Bolt, for exhaust pipe support	1	16MS, 18S	...
000192	... Washer, spring, for support bolt	1	16MS, 18S	...
000011	... Washer, plain, support fixing bolt	1	16MS, 18S	...

SILENCERS

021887	... Silencer, bare	1	16MS	...
021888	... Silencer, bare	1	18S	...
016768	... Bolt, silencer to frame	1	16MS, 18S	...
000004	... Nut, silencer to frame bolt	1	16MS, 18S	...
000011	... Washer, plain, silencer to frame bolt	1	16MS, 18S	...
000192	... Washer spring, silencer to frame bolt	1	16MS, 18S	...
017152	... Clip, clamping silencer to exhaust pipe	1	All 350	...
000745	... Clip, clamping silencer to exhaust pipe	1	All 500	...
000363	... Bolt, for silencer clip	1	All	...
000174	... Washer, for silencer clip bolt	1	All	...
000004	... Nut, for silencer clip bolt	1	All	...

ENGINE SECTION (TWIN CYLINDER)

PART NUMBER	DESCRIPTION	QTY.	USED ON	PRICE EACH £ s. d.
-------------	-------------	------	---------	-----------------------

CRANKCASE

024349	... Crankcase, complete (1)	1	All	...
024347	... Crankcase, driving side only (2)	1	All	...
022662	... Crankcase, timing side only (3)	1	All	...

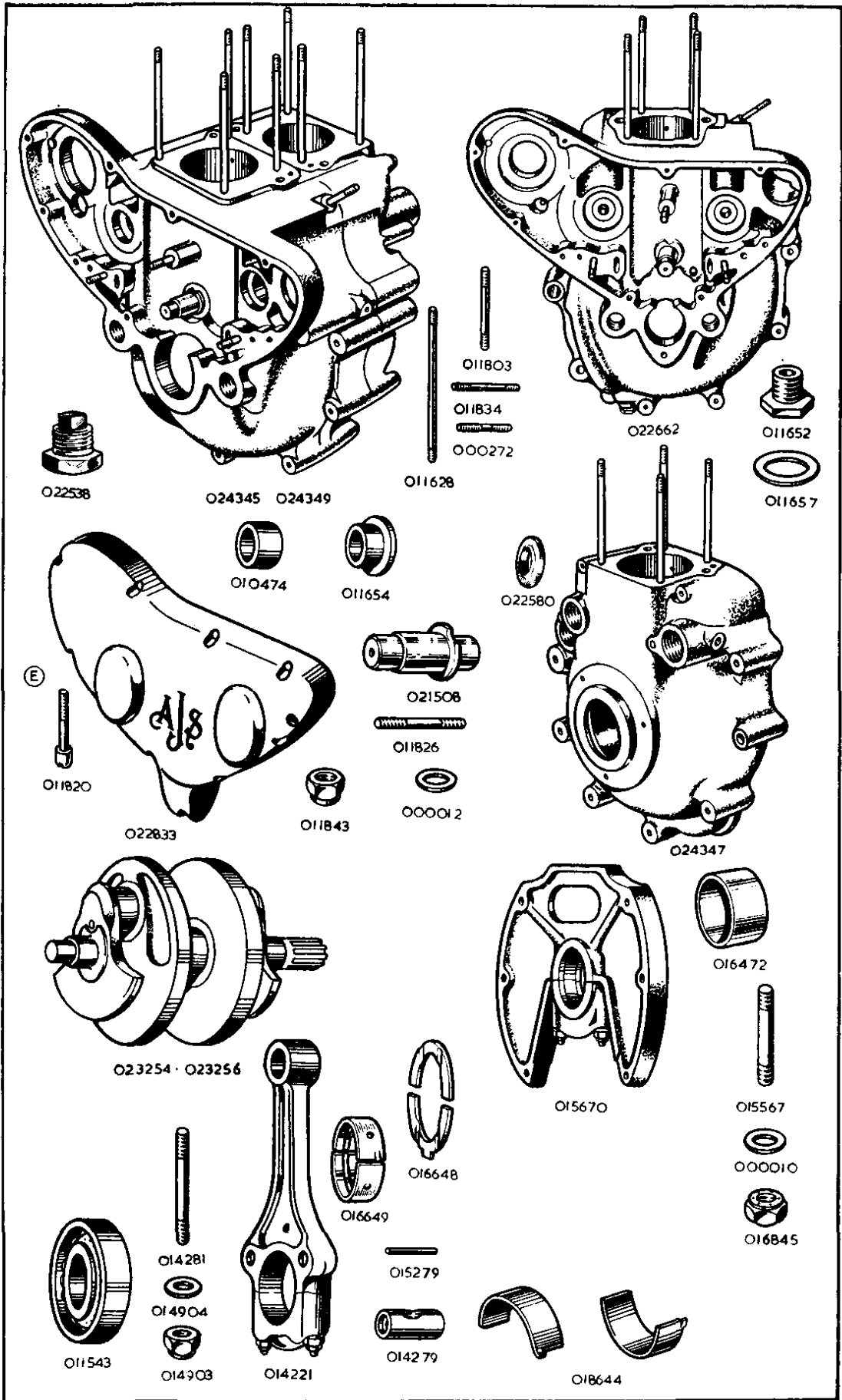
PART NUMBER	DESCRIPTION	QTY.	USED ON	PRICE EACH £ s. d.
CRANKCASE—continued				
015670	... Web, centre, with cap, studs, washers and nuts (no bearing and thrust washers).....	1	All	...
022833	... Cover, for timing gear	1	All	...
011826	... Stud, fixing centre web, $1\frac{1}{8}$ in. by $\frac{1}{4}$ in. by 26 and 20...	6	All	...
000012	... Washer, plain, for centre web top fixing studs.....	2	All	...
000012	... Washer, plain, for centre web centre fixing studs	2	All	...
000012	... Washer, plain, for centre web bottom fixing studs.....	2	All	...
011843	... Nut, for centre web fixing studs.....	6	All	...
015667	... Stud, for for centre web bearing cap, $2\frac{1}{16}$ in. by $\frac{3}{8}$ in. by 20 and 20	2	All	...
000010	... Washer, plain, for centre web bearing cap stud	2	All	...
016845	... Nut, for centre web bearing cap stud	2	All	...
011628	... Stud, in driving side crankcase, for cylinder and head, $5\frac{7}{16}$ in. by $\frac{5}{16}$ in. by 26 and 22	4	All	...
011628	... Stud, in timing side crankcase, for cylinder and head, $5\frac{7}{16}$ in. by $\frac{5}{16}$ in. by 26 and 22	4	All	...
011834	... Stud, in timing side crankcase, for pump carrying plate, $1\frac{5}{8}$ in. by $\frac{5}{16}$ in. by 26 and 22.....	3	All	...
000272	... Stud, in timing side crankcase, for fixing magneto, $1\frac{1}{2}$ in. by $\frac{5}{16}$ in. by 26 and 22.....	2	All	...
011803	... Stud, in timing side crankcase, for dynamo strap, $1\frac{1}{8}$ in. by $\frac{1}{4}$ in. by 26 and 20	1	All	...
021508	... Shaft, in timing side crankcase, for intermediate gear... 1	All
011820	... Screw, retaining timing gear cover.....	10	All	...
011652	... Adaptor, to accommodate oil feed and return pipe retaining banjo pins. (Screws into timing side crankcase)	2	All	...
011657	... Washer, fibre, for banjo pin adaptors.....	2	All	...
010474	... Bush, plain, for camshafts. (In driving side crankcase)	2	All	...
011654	... Bush, flanged, for camshafts. (In timing side crankcase)	4	All	...
016472	... Tunnel, for camshaft chamber (fits between crankcase halves)	2	All	...
011648	... Cap, in crankcase housing for inlet camshaft.....	1	All	...
023106	... Washer, fibre, for crankcase housing cap	1	All	...

1.—Includes:—Driving crankcase. Timing crankcase, centre web with studs (no bearing and washers). Bushes for camshaft. Cylinder studs. Shaft for intermediate gear. Cam follower spindles. Studs for pump plate. Two magneto studs. Dynamo strap stud. Timing gear cover and screws. Three bolts. One stud. Two nuts. Five washers.

2.—Includes:—Two camshaft bushes. Four cylinder studs. Cam follower spindles. Six studs for centre web.

3.—Includes:—Four camshaft bushes. Four cylinder studs. Shaft for intermediate gear. Three studs for pump plate. Two studs for magneto. One stud for dynamo strap. (No timing gear cover and screws.)

WHEN IN DOUBT REGARDING THE NAMES AND PART
NUMBERS OF THE PARTS YOU REQUIRE, PLEASE SEND
THE OLD PARTS TO SERVE AS PATTERNS



PART NUMBER	DESCRIPTION	QTY.	USED ON	PRICE EACH £ s. d.
-------------	-------------	------	---------	-----------------------

CRANKSHAFT, CONNECTING RODS AND BEARINGS

023254	... Crankshaft, plugged, but bare	1	20
023256	... Crankshaft, plugged, but bare	1	30
016649	... Bearing, plain, for centre bearing (in halves)...per pair	1	All
016648	... Washer, thrust, for centre bearing.....	2	All
011543	... Bearing, roller, for crankshaft. (Parts of this bearing are not sold separately), 1 $\frac{3}{8}$ in. internal, 3 in. external, $\frac{1}{8}$ in. wide. Manufacturers part number RLS-12 $\frac{1}{2}$	2	All
014221	... Connecting rod assembly. (No big end bearing)	2	All
014281	... Stud, for connecting rod, 2 $\frac{3}{32}$ in. by $\frac{5}{16}$ in. by 26	4	All
014279	... Trunnion, for connecting rod	4	All
015279	... Rivet, locating connecting rod stud	4	All
014904	... Washer, plain, for connecting rod stud	4	All
014903	... Nut, for connecting rod stud	4	All
018644	... Bearing, plain, for connecting rod, top or bottom half each half	4	All

The following undersize bearings can be supplied: It is necessary to have the journals ground to suit.

016670	... Bearing, plain, for centre bearing, .010 in. undersize (2 halves)	1	All
016671	... Bearing, plain, for centre bearing, .020 in. undersize (2 halves)	1	All
016672	... Bearing, plain, for centre bearing, .030 in. undersize (2 halves)	1	All
018564	... Bearing, plain, for connecting rod, .010 in. undersize, top or bottom, each half	4	All
018565	... Bearing, plain, for connecting rod, .020 in. undersize, top or bottom, each half	4	All
018566	... Bearing, plain, for connecting rod, .030 in. undersize, bottom, each half	4	All

CYLINDERS, PISTONS, HEADS AND VALVES

022230	... Cylinder, barrel only	2	20
022231	... Cylinder, barrel only	2	30
022233	... Washer, paper, for cylinder base.....	2	All
022598	... Piston, bare, normal size	2	20
022226	... Piston, bare, normal size	2	30
022669	... Piston, bare, .020 in. oversize	2	20
022670	... Piston, bare, .020 in. oversize	2	30
022671	... Piston, bare, .040 in. oversize	2	20
022672	... Piston, bare, .040 in. oversize	2	30
022663	... Piston, complete, normal size	2	20
022664	... Piston, complete, normal size	2	30
022665	... Piston, complete, .020 in. oversize	2	20
022666	... Piston, complete, .020 in. oversize	2	30
022667	... Piston, complete, .040 in. oversize	2	20
022668	... Piston, complete, .040 in. oversize	2	30

The above complete pistons include:—

Piston, two compression rings (1 chrome plated), one scraper ring. Gudgeon pin, two circlips for gudgeon pin.

018297	... Ring, compression, chrome plated, normal size	2	20
022228	... Ring, compression, chrome plated, normal size	2	30
018298	... Ring, compression, chrome plated, .020 in. oversize ...	2	20
022315	... Ring, compression, chrome plated, .020 in. oversize ...	2	30
018299	... Ring, compression, chrome plated, .040 in. oversize ...	2	20
022316	... Ring, compression, chrome plated, .040 in. oversize ...	2	30
010631	... Ring, compression, normal size	2	20
022227	... Ring, compression, normal size	2	30
015522	... Ring, compression, .020 in. oversize	2	20
022317	... Ring, compression, .020 in. oversize	2	30
016441	... Ring, compression, .040 in. oversize	2	20
022318	... Ring, compression, .040 in. oversize	2	30
018366	... Ring, scraper, normal size.....	2	20
022229	... Ring, scraper, normal size.....	2	30
022677	... Ring, scraper, .020 in. oversize	2	20
022319	... Ring, scraper, .020 in. oversize	2	30
022679	... Ring, scraper, .040 in. oversize	2	20

PART NUMBER	DESCRIPTION	QTY.	USED ON	PRICE EACH	
				£	s. d.

CYLINDERS, PISTONS, HEADS AND VALVES—continued

022320	... Ring, scraper, .040 in. oversize	2	30
011731	... Pin, gudgeon	2	20
022277	... Pin, gudgeon	2	30
014283	... Circlip, gudgeon pin	4	All
023019	... Head, for cylinder, with valve guides, valve guide circlips and manifold studs, left	1	20
023582	... Head, for cylinder, with valve guides, valve guide circlips and manifold studs, right	1	30
023020	... Head, for cylinder, with valve guides, valve guide circlips and manifold studs, right	1	20
023581	... Head, for cylinder, with valve guides, valve guide circlips and manifold studs, left	1	30
022236	... Gasket, for cylinder head	2	All
014163	... Valve, inlet	2	20
023403	... Valve, inlet	2	30
014165	... Valve, exhaust	2	All
024131	... Spring, inner, for valve	4	All
011769	... Spring, outer, for valve	4	All
014169	... Seat, for valve spring	4	All
014168	... Collar, for valve spring	4	All
014167	... Collet, for valve stems (in pairs)	4	All
014170	... Guide, for inlet valves	2	All
014171	... Guide, for exhaust valves	2	All
011111	... Circlip, locating valve guides	4	All
011634	... Spacer, $\frac{3}{8}$ in. long, for head retaining nuts	8	All
000004	... Nut, retaining cylinders and heads	8	All
000011	... Washer, plain, for head retaining nuts	8	All
010625	... Stud, retaining inlet manifold, $1\frac{1}{8}$ in. by $\frac{1}{4}$ in. by 26 and 20	4	All
014352	... Bush, for rocker spindle	4	All

RE-BORING

Cylinders may be re-bored to .020 in. or to .040 in. oversize and normal compression pistons (with rings) (two chrome plated) supplied to suit.

20 Model £6 11s. 10d. per pair. (New gudgeon pins and circlips 14s. 0d. extra).

30 Model £6 13s. 4d. per pair. (New gudgeon pins and circlips 14s. 0d. extra).

Cylinders sent for re-boring should be packed in stout cases which will be used by us for their return. Carriage is additional. If a complete machine, or engine, is sent to us for cylinder re-boring, there will be an additional charge, according to the time taken, for dismantling and assembly.

TIMING GEAR

018961	... Camshaft, inlet	1	All
018962	... Camshaft, exhaust	1	All
011620	... Gear, on camshaft, 60 teeth	2	All
000573	... Key, locating camshaft gears	2	All
011653	... Nut, retaining camshaft gears	2	All
016209	... Pinion, on crankshaft, 30 teeth	1	All
016210	... Spacer, $\frac{3}{8}$ in. long, for crankshaft pinion	1	All
000573	... Key, locating crankshaft pinion	1	All
011776	... Bolt, retaining crankshaft pinion, threaded $\frac{1}{2}$ in. by 20	1	All
010589	... Washer, plain, for crankshaft pinion bolt	1	All
021506	... Gear, intermediate, with bush, 60 teeth	1	All
022016	... Bush, for intermediate gear	1	All
018576	... Follower, for camshaft	4	All
011626	... Spindle, for camshaft followers	2	All
022102	... Spacer, $1\frac{1}{8}$ in. long between camshaft followers	2	All

ROCKERS AND PUSH RODS

022017	... Rocker, with bushes (left inlet and right exhaust)	2	All
022018	... Rocker, with bushes (right inlet and left exhaust)	2	All
014222	... Spindle, for rockers	4	All
014226	... Washer, spring, double coil, for rocker spindle	4	All
014275	... Washer, plain, for either side of rocker spindle spring washer	8	All
014275	... Washer, plain, for clamping end of rocker spindle	4	All
011760	... Bolt, clamping rocker spindle. (Thread No. 2 BA)	4	All

PART NUMBER	DESCRIPTION	QTY.	USED ON	PRICE EACH £ s. d.
-------------	-------------	------	---------	-----------------------

ROCKERS AND PUSH RODS—continued

015021	Washer, plain, for rocker spindle clamping bolt	4	All	...
011846	Nut, for rocker spindle clamping bolt	4	All	...
014245	Bush, for rockers. (One in each rocker)	4	All	...
019987	Bush for rockers. (One in each rocker)	4	All	...
024275	Cover, for rockers	4	20, 30	...
018493	Gasket, for rocker covers	4	All	...
018492	Screw, retaining rocker covers	8	All	...
018517	Rod, push, assembled with ends	4	All	...
018508	Rod, push, bare	4	All	...
018518	End, upper, for push rod	4	All	...
018519	End, lower, for push rod	4	All	...

ENGINE STEADY STAY

024216	Plate, engine steady	1	All	...
000365	Bolt, securing rear of steady stay, $1\frac{1}{8}$ in. by $\frac{5}{16}$ in. by 26	2	All	...
000192	Washer, spring, for steady stay frame front bolt	1	All	...
014779	Washer, lock, for steady stay frame front bolt	1	All	...
022083	Nut, for steady stay rear bolt	2	All	...
000366	Bolt, securing steady stay to frame, $1\frac{1}{2}$ in. by $\frac{7}{8}$ in. by 26	1	All	...
000004	Nut, for steady stay to frame securing bolt	1	All	...
000011	Washer, plain, under heads of rear bolts	2	All	...
000192	Washer, spring, for rear bolts	2	All	...

OIL PUMPS

018037	Oil pumps, complete, assembled on carrying plate (4)	1	All	...
015017	Plate, carrying, oil pumps, bare (5)	1	All	...
014903	Nut, securing pump carrying plate to timing side crankcase	3	All	...
000011	Washer, plain, for pump carrying plate fixing nuts	3	All	...
000021	Ball, $\frac{1}{4}$ in. steel, for return pump bleed valve	1	All	...
000701	Spring, for return pump bleed valve ball	1	All	...
015001	Screw, securing return pump bleed valve spring. (Grub screw, $\frac{1}{2}$ in. long by $\frac{5}{16}$ in. by 22)	1	All	...
016137	Gasket, oval, behind pump carrying plate	2	All	...
016138	Gasket, round, behind pump carrying plate	1	All	...
015568	Body, oil feed pump, for $\frac{1}{2}$ in. gears with $\frac{7}{8}$ in. shaft	1	All	...
015599	Pin, dowel, for oil feed pump	2	All	...
015576	Plate, front end, for oil pump feed body	1	All	...
015573	Plate, back end, for oil pump feed body	1	All	...
011617	Washer, paper, between oil feed pump and carrying plate	1	All	...
000453	Screw, retaining oil feed pump to carrying plate. 1 in. by 2 BA	3	All	...
015579	Gear, driving, for oil feed pump, $\frac{1}{2}$ in. wide. $\frac{7}{8}$ in. shaft	1	All	...
015580	Gear, driven, for oil feed pump, $\frac{1}{2}$ in. wide. $\frac{7}{8}$ in. shaft	1	All	...
015567	Body, oil return pump, for $\frac{3}{8}$ in. gears with $\frac{7}{8}$ in. shaft	1	All	...
015599	Pin, dowel, for oil return pump	2	All	...
015576	Plate, front end, for oil pump return body	1	All	...
015573	Plate, back end, for oil pump return body	1	All	...
011617	Washer, paper, between oil return pump and carrying plate	1	All	...
000453	Screwing, retaining oil return pump to carrying plate. 1 in. by 2 BA	3	All	...

BEFORE ORDERING SPARES
PLEASE NOTE THE INFORMATION GIVEN ON PAGES
TWO AND THREE

PART NUMBER	DESCRIPTION	QTY.	USED ON	PRICE EACH £ s. d.
-------------	-------------	------	---------	-----------------------

OIL PUMPS—continued

015577	... Gear, driving, for oil return pump, $\frac{3}{8}$ in. wide. $\frac{7}{16}$ in. shaft	1	All	...
015578	... Gear, driven, for oil return pump, $\frac{3}{8}$ in. wide. $\frac{7}{16}$ in. shaft	1	All	...
Note 4	... Includes all the items listed above except the three 014903 and 000011 fixing nuts and washers.			
Note 5	... Includes the 000021, 000701 and 015001 bleed valve ball, spring and retaining grub screw.			

OIL FELT FILTER (IN ENGINE)

014235	... Filter, felt, for engine crankcase	1	All	...
018120	... Seat, for oil felt filter	1	All	...
014240	... Valve, relief, for oil felt filter	1	All	...
014241	... Spring, for oil felt filter relief valve	1	All	...
023331	... Cap, assembled, oil felt filter housing (also accommodates oil non-return valve)	1	All	...
023106	... Washer, oil filter housing cap	1	All	...
015034	... Gasket, paper oil filter chamber (fits between the two crankcase halves)	1	All	...
022538	... Filter, magnetic	1	All	...
000182	... Washer, for magnetic filter	1	All	...

OIL DISTRIBUTOR

022385	... Distributor, oil	1	All	...
014247	... Cap, housing, for oil distributor	1	All	...
023106	... Washer, fibre, for oil distributor housing cap	1	All	...
022580	... Washer, sealing crankcase bolt	1	All	...

GENUINE A·J·S SPARES

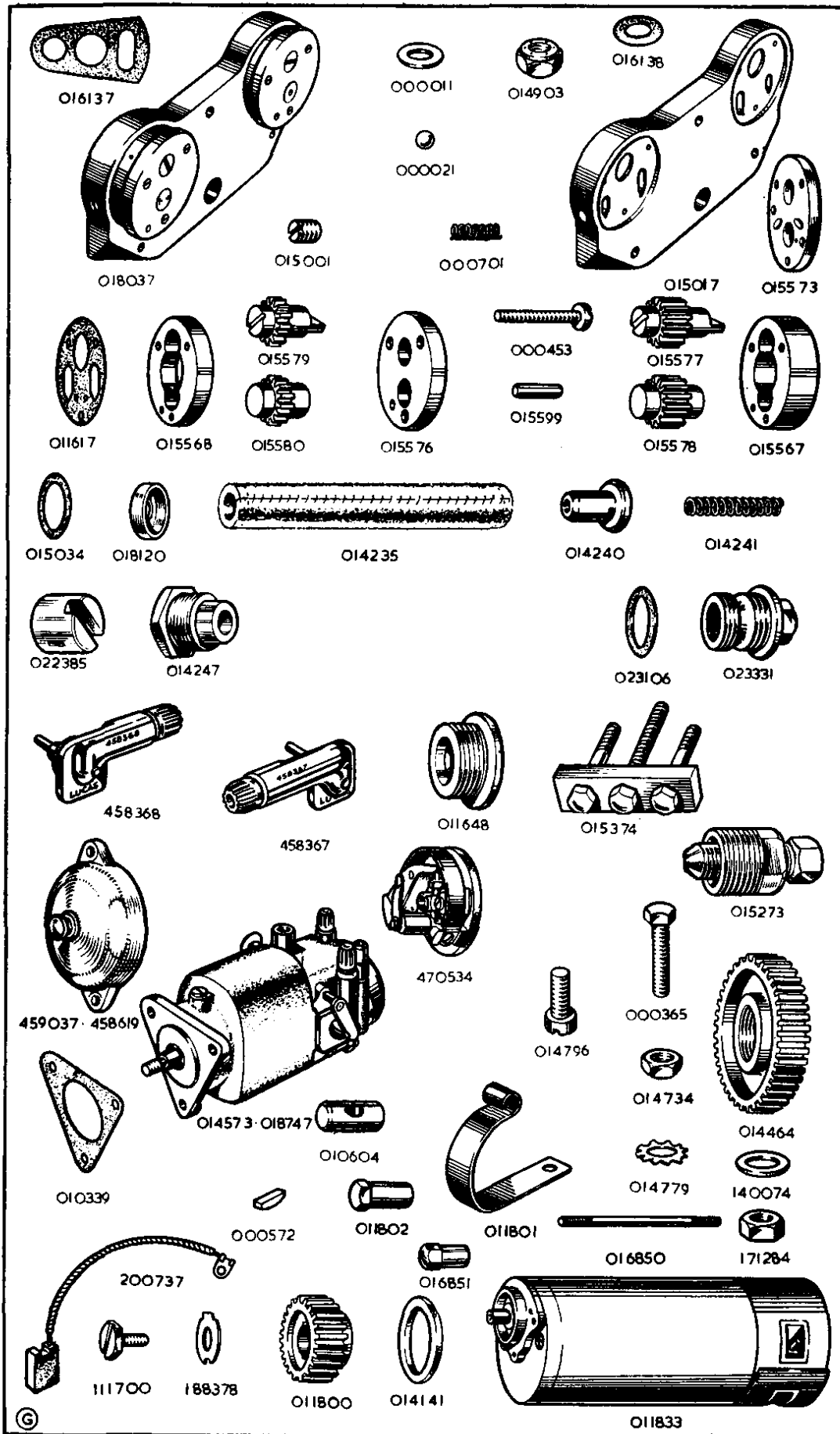
PURCHASED FROM

AN AUTHORISED "A·J·S" DEALER

OR FROM THE FACTORY, ARE IDENTICAL

WITH THE PARTS ORIGINALLY BUILT

INTO YOUR MOTOR CYCLE



©

PART NUMBER	DESCRIPTION	QTY.	USED ON	PRICE EACH £ s. d.
-------------	-------------	------	---------	-----------------------

MAGNETO

018747	... Magneto, complete, Type K2F (Lucas number 42230-A)	1	20, 30	...	★
458367	... Pick-up, with brush and spring, right	1	All	...	
458368	... Pick-up, with brush and spring, left	1	All	...	
470534	... Contact breaker, complete	1	All	...	
470609	... Contact set	1	All	...	
459037	... Cover, for contact breaker with switch	1	20, 30	...	
010339	... Gasket, for magneto flange	1	All	...	
000365	... Bolt, retaining magneto, $1\frac{1}{8}$ in. by $\frac{5}{16}$ in. by 26 For the two magneto retaining studs, see "Crankcase Group"	1	All	...	
014779	... Washer, lock, for magneto retaining bolt and studs	3	All	...	
000004	... Nut, for magneto retaining bolt and studs	3	All	...	
014464	... Gear, on magneto shaft	1	All	...	
140074	... Washer, plain, on magneto shaft	1	All	...	
171284	... Nut, on magneto shaft, retaining magneto driving shaft	1	All	...	

★ Price on application.

DYNAMO

011833	... Dynamo, Type E3L-L-I-O (Lucas number 20009-B)	1	All	...	★
200826	... Cover assembly	1	All	...	
200737	... Brush, for dynamo, set of two, per set	1	All	...	
014141	... Gasket, between dynamo and crankcase	1	All	...	
011801	... Strap, retaining dynamo to crankcase	1	All	...	
014796	... Screw, retaining lower end of dynamo strap to crankcase, $\frac{7}{8}$ in. by $\frac{1}{2}$ in. by 20	1	All	...	
000012	... Washer, plain, for dynamo strap retaining screw	1	All	...	
010604	... Crosshead, in eye of dynamo retaining strap	1	All	...	
011802	... Nut, tensioning dynamo strap. (The stud on which this nut screws, is listed with the crankcase parts)	1	All	...	
000012	... Washer, plain, for dynamo strap tensioning nut	1	All	...	
011800	... Gear on dynamo shaft	1	All	...	
000572	... Key, locating dynamo shaft gear	1	All	...	
111700	... Bolt, retaining gear on dynamo shaft	1	All	...	
188378	... Washer, lock, for dynamo gear retaining bolt	1	All	...	
016850	... Stud, drawing dynamo to crankcase, and passing through timing cover, $2\frac{1}{2}$ in. long by 2 BA	1	All	...	
016851	... Nut, for dynamo draw stud	1	All	...	

★ Price on application.

CRANKCASE BOLTS, with engine plates and all bolts passing through same (Twin Cylinder models)

014292	... Bolt, clamping crankcase throat, $3\frac{1}{8}$ in. by $\frac{5}{8}$ in. by 22. (These bolts pass through the driving side crankcase and thread into the timing side crankcase)	3	All	...	
000011	... Washer, plain, for 014292 crankcase bolts	2	All	...	
013944	... Plate, engine front, right side	1	All	...	
013943	... Plate, engine front, left side	1	All	...	
000306	... Stud, passing through crankcase and upper holes in engine, front plates. (This stud also supports the stays for the exhaust pipes)	1	All	...	
000003	... Nut, for engine plate stud	2	All	...	
000278	... Stud, passing through crankcase and lower holes in engine front plates, $4\frac{3}{8}$ in. by $\frac{5}{8}$ in. by 26	1	All	...	
000011	... Washer, plain, for 000278 engine plate stud	2	All	...	
000004	... Nut, for 000278 engine plate stud	2	All	...	
000277	... Stud, passing through crankcase at bottom, $4\frac{3}{8}$ in. by $\frac{5}{8}$ in. by 26	1	All	...	
000011	... Washer, plain, for 000277 crankcase stud	2	All	...	
000004	... Nut for 000277 crankcase stud	2	All	...	
000306	... Stud, passing through front of main frame and top of engine front plate	1	All	...	
000003	... Nut, for 000303 frame stud	2	All	...	

PART NUMBER	DESCRIPTION	QTY.	USED ON	PRICE EACH		
				£	s.	d.

CRANKCASE BOLTS—continued

022291	... Plate, engine, rear left	1	All except 30CS			
022292	... Plate, engine, rear right	1	All except 30CS			
022422	... Cover, rear engine plates	1	All			
000278	... Stud, passing through top of engine rear plates and the crankcase, 4 $\frac{9}{16}$ in. by $\frac{5}{16}$ in. by 26	1	All			
000278	... Stud, passing through bottom of engine rear plates and the crankcase, 4 $\frac{9}{16}$ in. by $\frac{5}{16}$ in. by 26.....	1	All			
000011	... Washer, plain, for 000278 studs	3	All			
000004	... Nut, for 000278 studs	3	All			
024276	... Stud, passing through engine rear plates, rear of crankcase, and centre of front chaincase	1	All			
000009	... Washer, plain, for 024276 stud.....	2	All			
000002	... Nut, for 024276 stud	2	All			
000303	... Stud, passing through top of engine, rear plates, and lower end of main frame seat tube	1	All			
000003	... Nut, for 000306 stud	2	All			
000010	... Washer, for 000306 stud	1	All			
000278	... Stud, passing through back ends of engine rear plates, 4 $\frac{9}{16}$ in. by $\frac{5}{16}$ in. by 26	2	All			
	<i>(The front chain adjusting eye bolt block screws on the right-hand end of this stud.)</i>					
000011	... Washer, plain, for 000278 stud.....	4	All			
000004	... Nut, for 000278 stud	3	All			

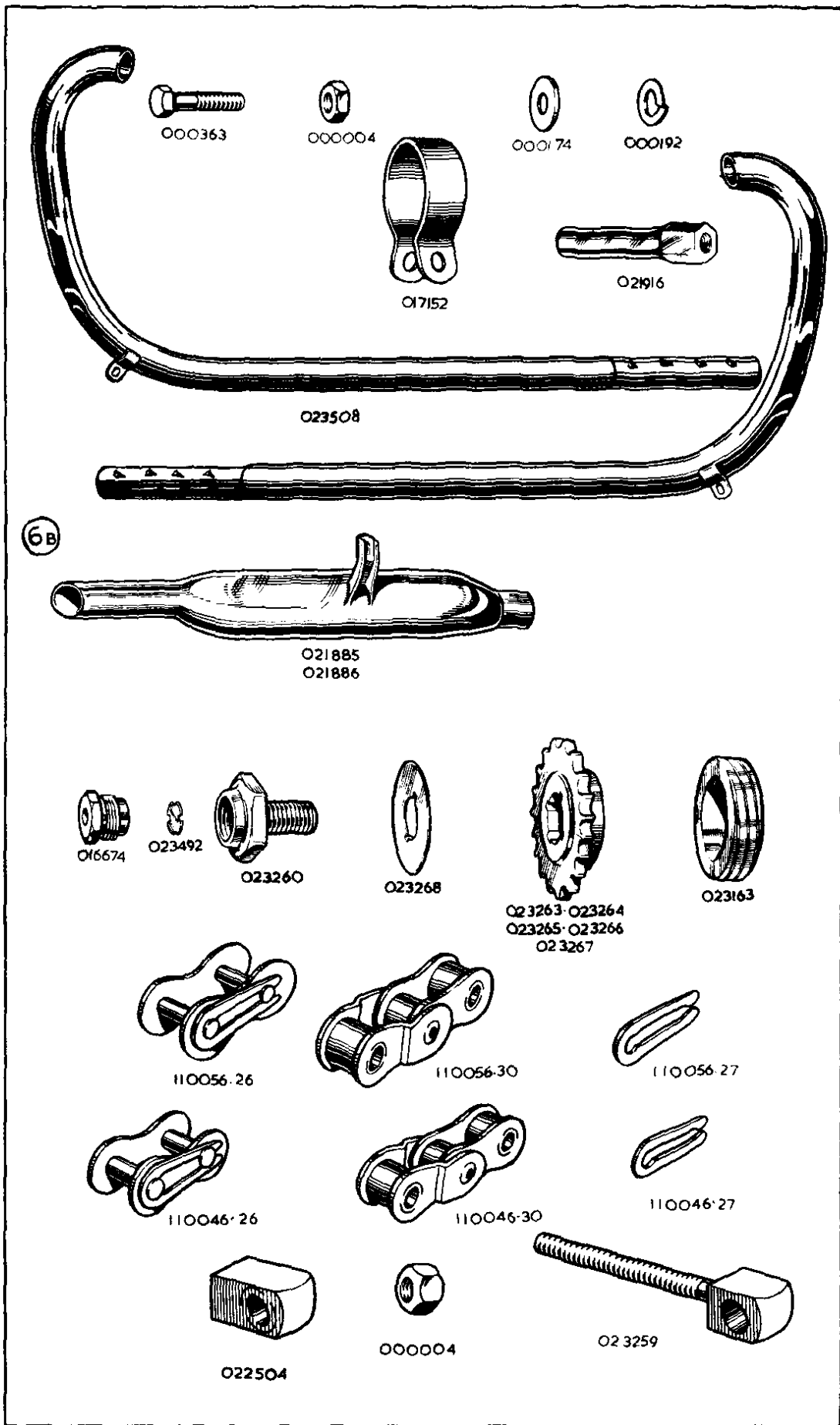
For the bolt stud passing through the top and bottom of the gearbox and the engine rear plates, see " Gear Box Fixing Bolts ".

For the footrest rod, which passes through the bottoms of the engine rear plates and the frame rails, see " Footrests ".

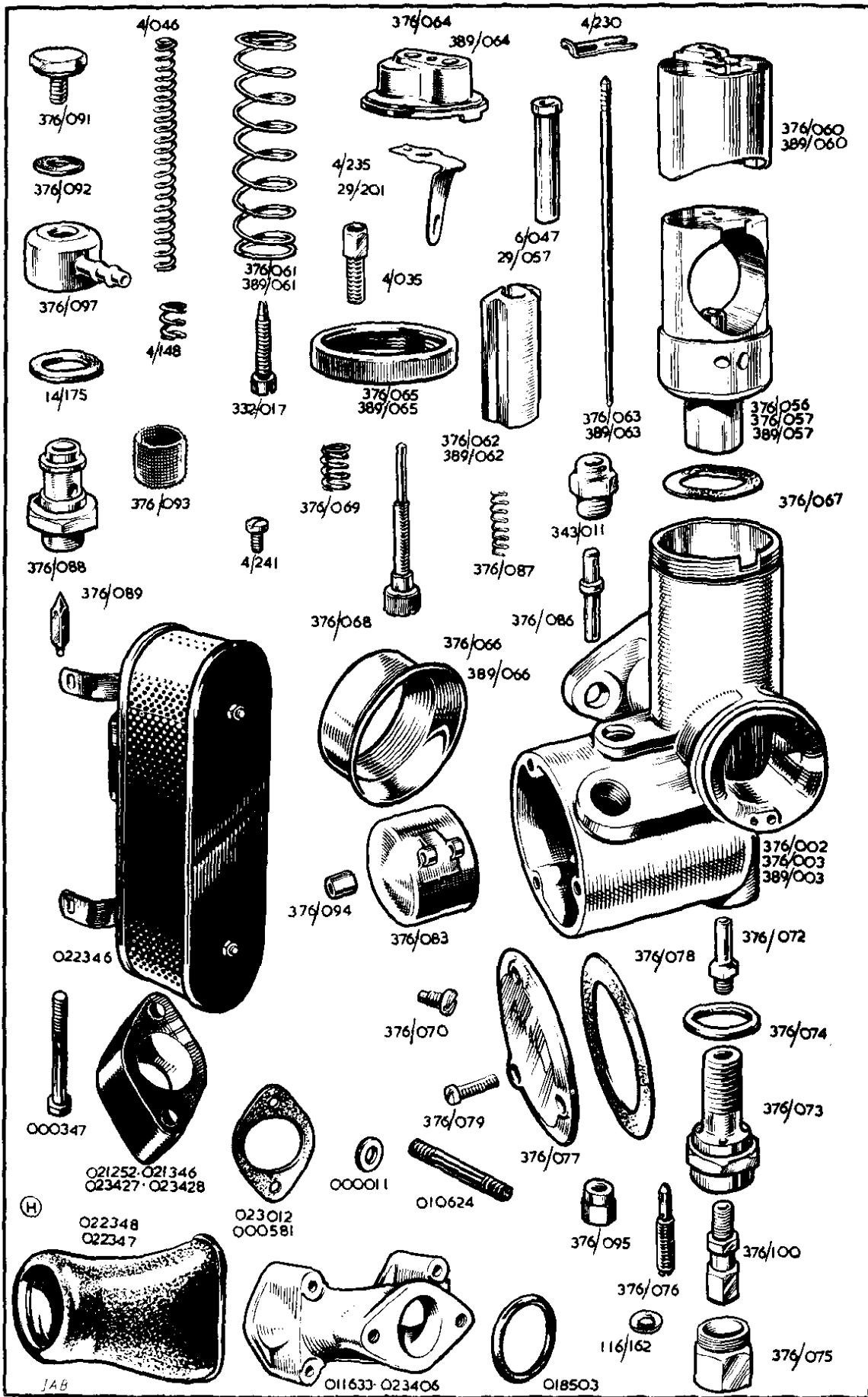
EXHAUST PIPES AND SILENCERS (Twin Cylinder)

023508	... Pipe, exhaust, bare, left side.....	1	20-30			
023507	... Pipe, exhaust, bare, right side	1	20-30			
021916	... Support, for exhaust pipe, left side or right side.....	2	20-30			
000362	... Bolt, fixing exhaust pipe to support	2	20-30			
000011	... Washer, plain, for exhaust pipe fixing bolt	2	20-30			
000192	... Washer, spring, for exhaust pipe fixing bolt.....	2	20-30			
021885	... Silencer, bare, left side	1	20-30			
021886	... Silencer, bare, right side	1	20-30			
017152	... Clip, clamping silencer to pipe.....	2	20-30			
000363	... Bolt, for silencer clip, $\frac{3}{4}$ in. by $\frac{5}{16}$ in. by 26	2	20-30			
000174	... Washer, plain for silencer clip bolt.....	2	20-30			
000004	... Nut, for silencer clip bolt	2	20-30			
016768	... Stud, fixing silencer to frame	2	20-30			
000011	... Washer, plain, for silencer to frame fixing bolt	2	20-30			
000192	... Washer, spring, for silencer to frame fixing bolt.....	2	20-30			
000004	... Nut, silencer to frame stud	2	20-30			

MAINTENANCE MANUAL 1958 EDITION PRICE 4/-
IS THE APPROPRIATE MANUAL FOR THIS SPARES LIST



PART NUMBER	DESCRIPTION	QTY.	USED ON	PRICE EACH		
				£	s.	d.
CARBURETTER						
021873	Carburetter, complete, less controls (Type 376/5)	1	16MS
021874	Carburetter, complete, less controls (Type 389/1)	1	18S
021875	Carburetter, complete, less controls (Type 376/6)	1	20
023595	Carburetter, complete, less controls (Type 376/78)	1	30
021346	Spacer, for carburetter, $\frac{3}{4}$ in. wide, $1\frac{1}{8}$ in. bore	1	16MS
021252	Spacer, for carburetter, $\frac{3}{4}$ in. wide, $1\frac{3}{8}$ in. bore	1	18S
023496	Spacer, for carburetter	1	20, 30
011633	Inlet manifold, bare	1	20
023406	Inlet manifold, bare	1	30
000581	Gasket, for carburetter spacer	1	16MS, 18S
023012	Gasket, between manifold and cylinder head	2	20, 30
018503	Ring, sealing, rubber, carburetter flange	1	All
000012	Washer, manifold retaining studs	4	20, 30
000005	Nut, manifold retaining studs	4	20, 30
010624	Stud, retaining carburetter to manifold	2	20, 30
000011	Washer, carburetter retaining studs	2	20, 30
000004	Nut, carburetter retaining studs	2	20, 30
376/003	Carburetter body	1	16MS, 30
376/002	Carburetter body	1	20
389/003	Carburetter body	1	18S
376/077	Side cover	1	All
376/078	Side cover jointing washer	1	All
376/079	Side cover screw	3	All
376/083	Float	1	All
376/094	Bush, for float spindle	1	All
376/089	Float needle	1	All
376/088	Float needle	1	All
376/065	Mixing chamber cap securing ring	1	16MS, 20, 30
389/065	Mixing Chamber cap securing ring	1	18S
4-235	Mixing chamber cap securing ring spring	1	16MS, 20, 30
29-201	Mixing chamber cap securing ring spring	1	18S
4-241	Screw securing fixing cap ring clip	1	All
376-064	Mixing chamber cap	1	16MS, 20, 30
389-064	Mixing chamber cap	1	18S
4-035	Control cable adjuster	2	All
376-062	Air valve	1	16MS, 20, 30
389-062	Air valve	1	18S
6-047	Air valve guide	1	16MS, 20, 30
29-057	Air valve guide	1	18S
376-060	Throttle valve, size $3\frac{1}{2}$	1	16MS, 30
376-060	Throttle valve, size 4	1	20
389-060	Throttle valve, size $3\frac{1}{2}$	1	18S
4-046	Air valve spring	1	All
376-061	Throttle valve spring	1	16MS, 20, 30
389-061	Throttle valve spring	1	18S
376-068	Throttle stop screw	1	All
376-069	Throttle stop screw spring	1	All
332-017	Pilot air adjusting screw	1	All
4-148	Pilot air adjusting screw spring	1	All
376-063	Taper jet needle	1	16MS, 20, 30
389-063	Taper jet needle	1	18S
4-230	Taper needle clip	1	All
376-072	Needle jet, .1065	1	All
376-100	Main jet, size 210	1	16MS
376-100	Main jet, size 260	1	18S
376-100	Main jet, size 220	1	20
376-100	Main jet, size 280	1	30
376-073	Main jet holder	1	All
376-074	Jet holder washer	1	All
376-075	Main jet cover	1	All
376-076	Pilot, jet, size 30	1	All
376-095	Pilot jet cover nut	1	All
116-162	Pilot jet cover nut washer	1	All
376-057	Jet block, $1\frac{1}{8}$ in.	1	16MS, 30
376-056	Jet block, 1 in.	1	20
389-057	Jet block, $1\frac{5}{8}$ in.	1	18S
376-067	Jet block washer	1	All
376-070	Locating peg for jet block	1	All



PART NUMBER	DESCRIPTION	QTY.	USED ON	PRICE EACH		
				£	s.	d.

CARBURETTER—*continued*

376-097	... Petrol pipe banjo	1	All
376-091	... Petrol pipe banjo bolt	1	All
376-092	... Petrol pipe banjo bolt washer	1	All
14-175	... Banjo seating washer	1	All
376-093	... Filter gauze	1	All
343-011	... Tickler Body	1	All
376-086	... Tickler plunger	1	All
376-087	... Tickler spring	1	All
376-066	... Air intake venturi	1	16MS, 20, 30
389-066	... Air intake venturi	1	18S

AIR CLEANER (Optional extra equipment)

022346	... Cleaner, air	1	16MS, 18S, 20, 30
022348	... Hose, for air cleaner	1	16MS, 18S
022347	... Hose, for air cleaner	1	20, 30
023273	... Clip, retaining air cleaner hose	1	16MS, 20, 30
023272	... Clip retaining air cleaner hose	1	18S
000347	... Bolt, fixing air cleaner	1	16MS, 18S, 20, 30
000005	... Nut, for fixing bolt	1	16MS, 18S, 20, 30
000012	... Washer for fixing bolt	1	16MS, 18S, 20, 30

When an AIRCLEANER is fitted it is essential to fit a smaller jet, viz:—

For 16MS, use jet 376-100, size 200	1
For 18S, use jet 376-100, size 250	1
For 20, use jet 376-100, size 190	1
For 30, use jet 376-100, size 240	1

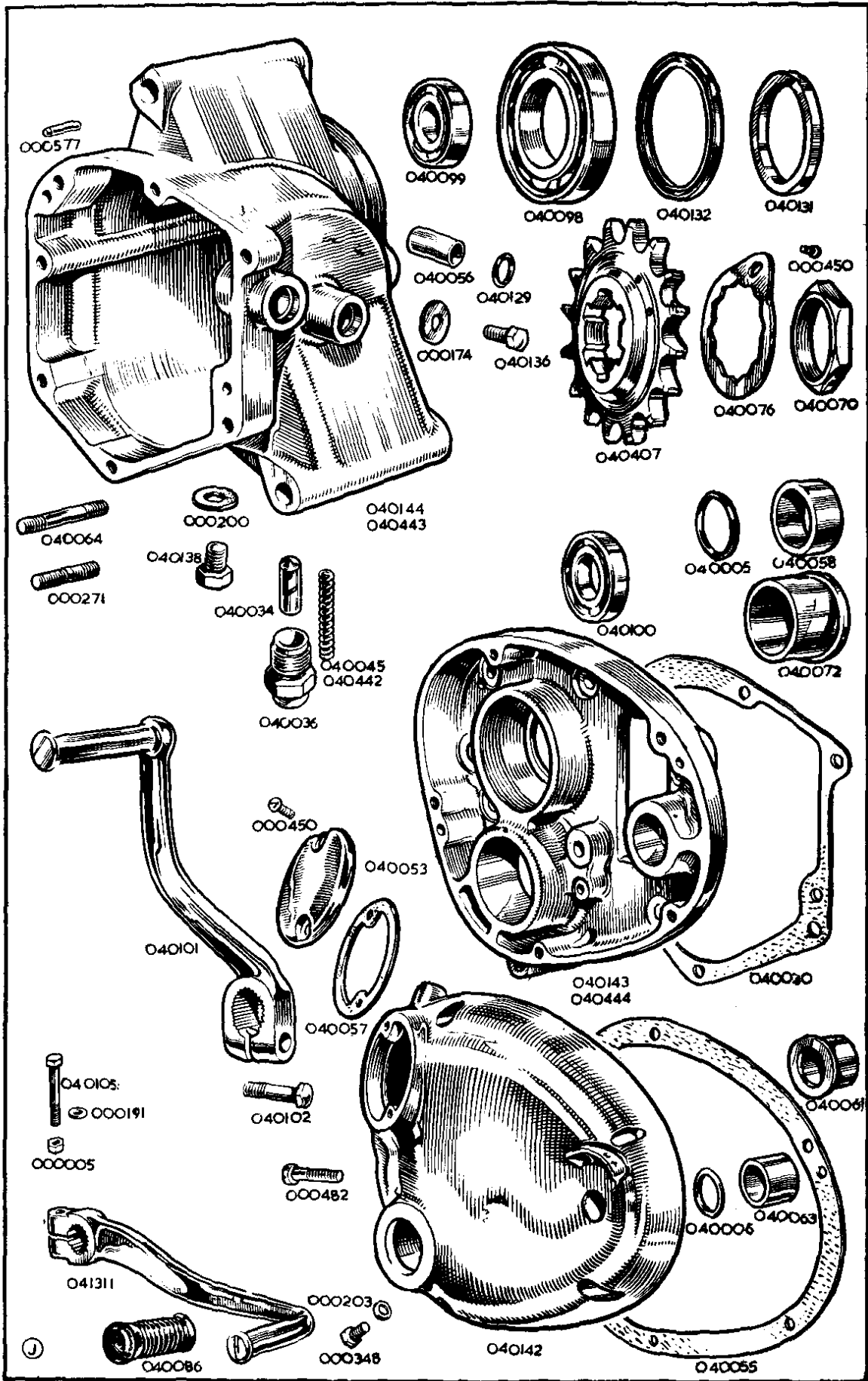
ENGINE SPROCKETS (Singles)

024137	... Sprocket, engine, bare, 17 teeth	1	16MS, 18S
024138	... Sprocket, engine, bare, 18 teeth	1	16MS, 18S
024139	... Sprocket, engine, bare, 19 teeth	1	16MS, 18S
024140	... Sprocket, engine, bare, 20 teeth	1	16MS, 18S
024141	... Sprocket, engine, bare, 20 teeth	1	16MS, 18S
024142	... Sprocket, engine, bare, 22 teeth	1	16MS, 18S
023066	... Spacer, for engine sprocket	1	All
024026	... Spacer, for generator rotor	1	16MS, 18S
000230	... Nut, for generator rotor and engine sprocket	2	16MS, 18S
000176	... Washer, for rotor and engine sprocket nuts	1	16MS, 18S

ENGINE SPROCKETS (Twins) (and Crankcase Release Valve)

023263	... Sprocket, engine, bare, 18 teeth	1	All
023264	... Sprocket, engine, bare, 19 teeth	1	All
023265	... Sprocket, engine, bare, 20 teeth	1	All
023266	... Sprocket, engine, bare, 21 teeth (standard on 20)	1	All
023267	... Sprocket, engine, bare, 22 teeth (standard on 30)	1	All
023163	... Spacer (Collar), for engine sprocket	1	All
023260	... Bolt, for engine sprocket (also houses crankcase release valve)	1	All
023268	... Washer, tab, for engine sprocket	1	All
023492	... Diaphragm, for crankcase release valve	1	All
018282	... Spring, for release valve diaphragm	1	All
016674	... Plug, retaining release valve diaphragm (screws in Bolt 023260)	1	All

ALWAYS INCLUDE ALL THE LETTERS
WHEN QUOTING THE ENGINE NUMBER



PART NUMBER	DESCRIPTION	QTY.	USED ON	PRICE EACH		
				£	s.	d.

CHAINS

017299	Chain, front, 67 links, $\frac{1}{2}$ in. by .305 in.	1	16MS, 20
022870	Chain, front, 68 links, $\frac{1}{2}$ in. by .305 in.	1	18S, 30
017376	Chain, rear, 98 links, $\frac{1}{2}$ in. by .380 in.	1	16MS, 18S
022876	Chain, rear, 97 links, $\frac{1}{2}$ in. by .380 in.	1	20, 30
110046-26	Link, connecting, for $\frac{1}{2}$ in. chains	R	All
110056-26	Link, connecting, for $\frac{1}{2}$ in. chains	R	All
110046-30	Link, cranked, double, for $\frac{1}{2}$ in. chains	R	All
110056-30	Link, cranked, double, for $\frac{1}{2}$ in. chains	R	All
110046-27	Clip, spring, for 110046-26 connecting links ($\frac{1}{8}$ in.)	R	All
110056-27	Clip, spring, for 110056-26 connecting links ($\frac{1}{8}$ in.)	R	All

The prices of front and rear chains include spring connecting links and these are also included in the number of links per chain.

We do not sell odd lengths of chains.

GEAR BOX FIXING PARTS

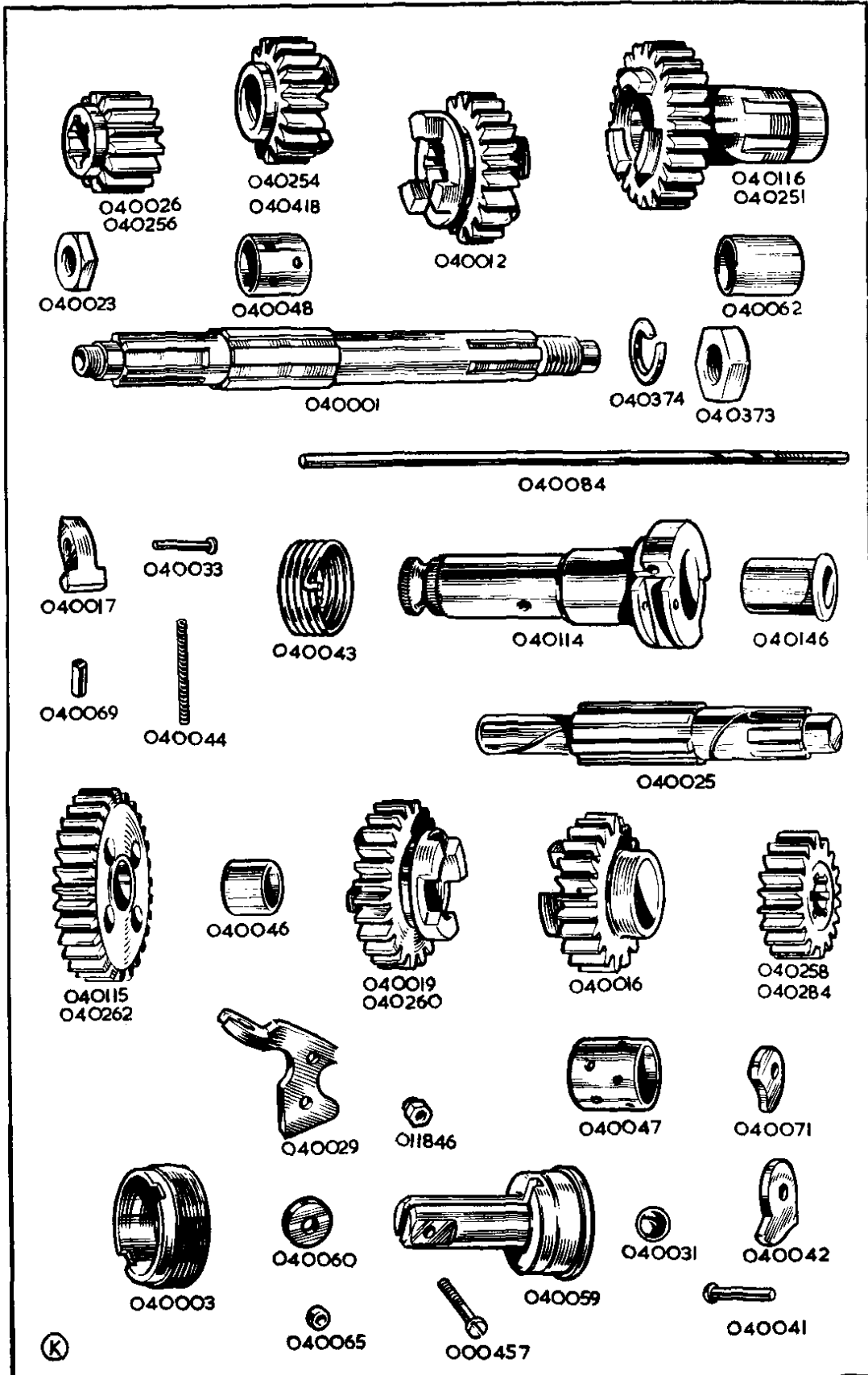
022509	Bolt, gear box top fitting	1	16MS, 18S, 20, 30
000318	Stud, gearbox bottom fixing, $4\frac{7}{8}$ in. by $\frac{7}{8}$ in. by 26	1	All
000002	Nut, for gearbox top fixing bolt	1	All
000002	Nut, for gearbox bottom fixing stud	2	All
000177	Washer, plain for top fixing bolt	2	All
022869	Eye-bolt, for front chain adjustment	1	16MS, 18S
023259	Eye-bolt, for front chain adjustment	1	20, 30
000004	Nut, for front chain adjustment eye-bolt	1	16MS, 18S, 20, 30
022504	Crosshead, for front chain adjuster eye-bolt	1	16MS, 18S, 20, 30
000402	Bolt, fixing crosshead to engine plate	1	16MS, 18S, 20, 30
000010	Washer, plain, for crosshead fixing bolt	1	16MS, 18S, 20, 30

GEAR BOX SHELL

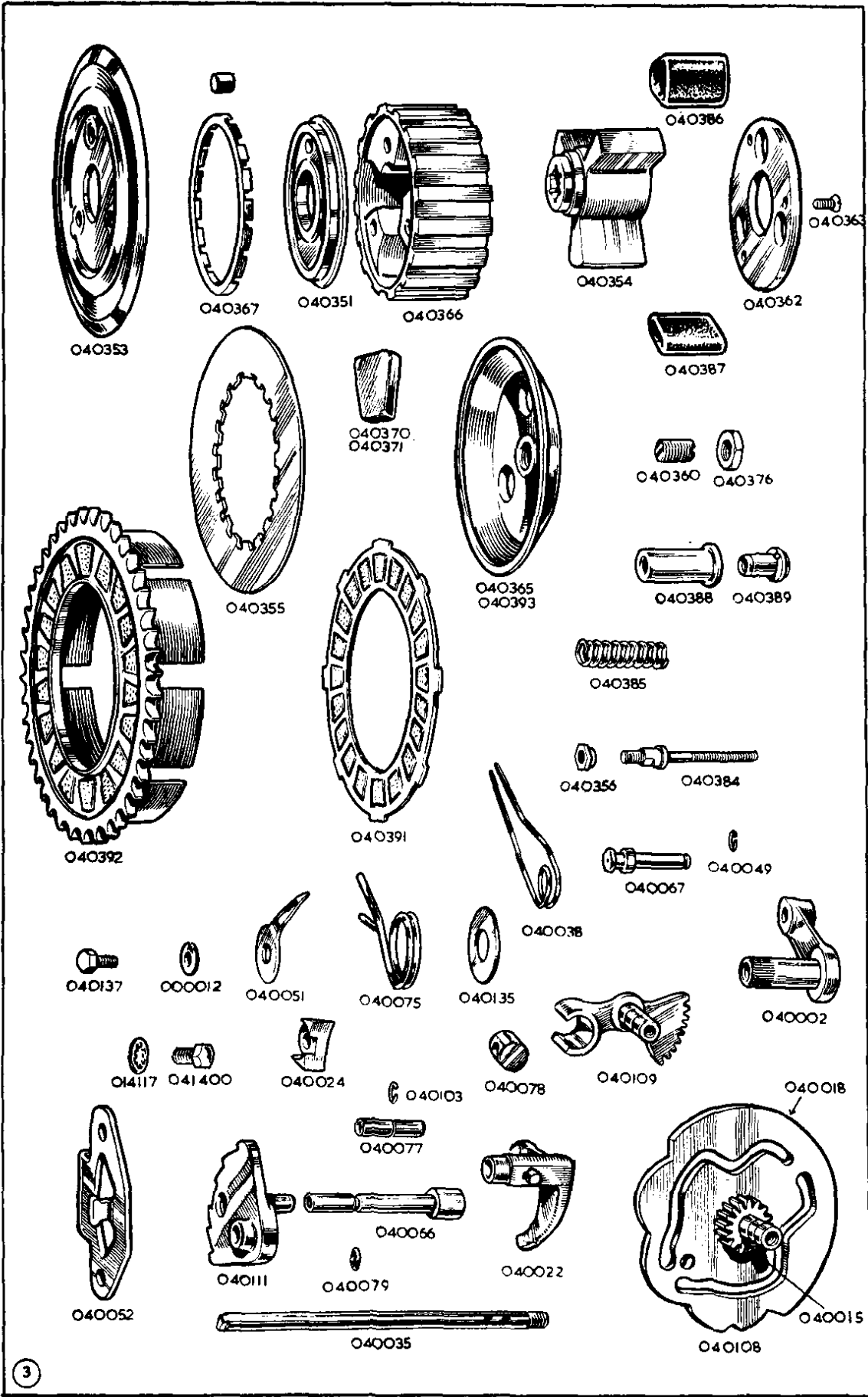
040144	Shell, gear box, with two bushes	1	All except 16MCS, 18CS
040143	Case, inner, for kick-start	1	16MS, 18S, 20, 30
040142	Cover, outer, for kick-start	1	All
040030	Gasket, for inner kick-start case	1	All
040055	Gasket, for outer kick-start case	1	All
040138	Plug, drain, for shell	1	All
000200	Washer, fibre, for drain plug	1	All
000348	Plug, oil level	1	All
000203	Washer, fibre, for oil level plug	1	All
040053	Cover, inspection	1	All
040057	Gasket, for inspection cover	1	All
000450	Screw, for inspection cover	2	All
000577	Pin, dowel, locating kick-start case	2	All
040064	Stud, in shell for kick-start case	2	All
000271	Stud, in shell, for kick-start case	5	All
000004	Nut, for kick-start case stud	7	All
000577	Pin, dowel, locating kick-start cover	2	All
000482	Screw, securing kick-start cover	5	All

SHAFTS AND GEARS

040001	Main shaft, for gearbox	1	All
040025	Layshaft, for gearbox	1	All
040116	Gear, driving, main, with bushes, 24 teeth	1	16MS, 18S, 20, 30
040026	Gear, first mainshaft, 14 teeth	1	16MS, 18S, 20, 30
040418	Gear, second mainshaft, 18 teeth	1	16MS, 18S, 20, 30
040012	Gear, third, mainshaft, 21 teeth	1	All



PART NUMBER	DESCRIPTION	QTY.	USED ON	PRICE EACH £ s. d.
SHAFTS AND GEARS—continued				
040284 ...	Pinion, on layshaft, 18 teeth	1	16MS, 18S, 20, 30
040019 ...	Gear, second layshaft, 24 teeth	1	16MS, 18S, 20, 30
040016 ...	Gear, third layshaft, 21 teeth	1	All
040115 ...	Gear, first layshaft, 28 teeth	1	16MS, 18S, 20, 30
040062 ...	Bush, for main driving gear	2	All
040048 ...	Bush, for mainshaft second gear	1	All
040047 ...	Bush, for layshaft third gear	1	All
040046 ...	Bush, for layshaft first gear	1	All
GEARBOX BEARINGS AND OIL-SEALS				
040098 ...	Bearing, ball, for main driving gear	1	All
040099 ...	Bearing, ball, for mainshaft in kick-starter case	1	All
040100 ...	Bearing, ball, for layshaft in shell	1	All
040056 ...	Bush, in shell for camplate spindle and quadrant spindle	2	All
040132 ...	Oil seal, for main gear bearing	1	All
040129 ...	Oil seal, "O" ring for quadrant assembly	1	All
040072 ...	Bush, in kick-starter case, for kick-starter spindle	1	All
040061 ...	Bush, in kick-starter case for footchange spindle	1	All
040058 ...	Bush, in kick-starter case cover, for kick-starter spindle	1	All
040063 ...	Bush, in kick-starter case cover, for footchange spindle	1	All
040079 ...	Oil seal, "O" ring for ratchet spindle	1	All
040006 ...	Oil seal, "O" for ring footchange spindle	1	All
040005 ...	Oil seal, "O" ring for kick-starter	1	All
040036 ...	Bush for cam-plate plunger	1	All
GEARBOX SMALL SPROCKET				
040407 ...	Sprocket, gearbox, 16 teeth, $\frac{5}{8}$ in. by .380 in.	1	All
040070 ...	Nut, fixing gearbox sprocket	1	All
040076 ...	Plate, locking gearbox sprocket nut	1	All
000450 ...	Screw, for sprocket locking plate	1	All
040131 ...	Spacer, for gearbox sprocket	1	All
GEAR OPERATING PARTS				
040018 ...	Cam-plate, only	1	All
040015 ...	Spindle only, for cam-plate	1	All
040109 ...	Quadrant assembly, with spindle	1	All
000174 ...	Washer, plain, for cam-plate and quadrant	2	All
040136 ...	Screw, for cam-plate and quadrant	2	All
040022 ...	Fork, selector	2	All
040035 ...	Shaft, for selector fork	1	All
040111 ...	Gear, ratchet assembly	1	All
040078 ...	Roller for knuckle pin	1	All
040038 ...	Spring, pawl, for gear-change	1	All
040110 ...	Carrier, pawl assembly	1	All
040002 ...	Carrier, pawl only	1	All
040067 ...	Pin, for pawl carrier	1	All
040024 ...	Pawl, foot-change	1	All
040049 ...	Circlip, foot-change pawl	1	All
040066 ...	Spindle, for ratchet	1	All
040075 ...	Spring, return, gear-change	1	All
040135 ...	Washer, foot-change return spring	1	All
040052 ...	Plate, stop, gear-change	1	All
041400 ...	Screw, gear-change stop plate	1	All
014117 ...	Washer, shakeproof, stop plate screw	1	All
041311 ...	Pedal, foot-change, bare	1	All
040086 ...	Rubber, only, foot-change pedal	1	All
040105 ...	Bolt, foot-change pedal	1	All
000012 ...	Washer, spring foot-change pedal bolt	1	All
000005 ...	Nut, foot-change pedal bolt	1	All
040051 ...	Indicator, gear	1	All
040137 ...	Screw, gear indicator	1	All
000012 ...	Washer, plain, gear indicator screw	1	All
040034 ...	Plunger, for cam-plate	1	All
040442 ...	Spring, for cam-plate plunger	1	All except 16CS, 18CS



3

A-M-C

J-A-B

PART NUMBER	DESCRIPTION	QTY.	USED ON	PRICE EACH		
				£	s.	d.

CLUTCH

040366	... Centre, clutch.....	1	All
040353	... Plate, back, for clutch	1	All
040351	... Plate, race	1	All
040367	... Cage, roller	1	All
000075	... Roller for clutch	15	All
040392	... Sprocket, with inserts, for clutch	1	All
040371	... Insert, for clutch sprocket	per doz. 19	All
040354	... Centre, shock absorber.....	1	All
040386	... Rubber, large, shock absorber.....	3	All
040387	... Rubber, small, shock absorber.....	3	All
040362	... Plate, cover, shock absorber.....	1	All
040363	... Screw, shock absorber cover plate	3	All
040373	... Nut, retaining clutch.....	1	All
040374	... Washer, lock, for clutch retaining nut	1	All
040355	... Plate, clutch, plain	4	16MS
040355	... Plate, clutch, plain	5	All except 16MS
040391	... Plate, clutch, with inserts	3	16MS
040391	... Plate, clutch, with inserts.....	4	All except 16MS
040370	... Insert, for clutch plates	per doz. 60	16MS
040370	... Insert, for clutch plates	per doz. 80	All except 16MS
040393	... Plate, pressure, bare	1	16MS
040365	... Plate, pressure, bare	1	All except 16MS
040360	... Adjuster, for clutch, in pressure plate	1	All
040376	... Nut, lock, for clutch adjuster	1	All
040384	... Stud, for clutch spring	3	All
040388	... Cup, for clutch spring	3	All
040385	... Spring, for clutch	3	All
040356	... Nut, fixing clutch stud to centre.....	3	All
040389	... Nut, for clutch spring adjustment	3	All

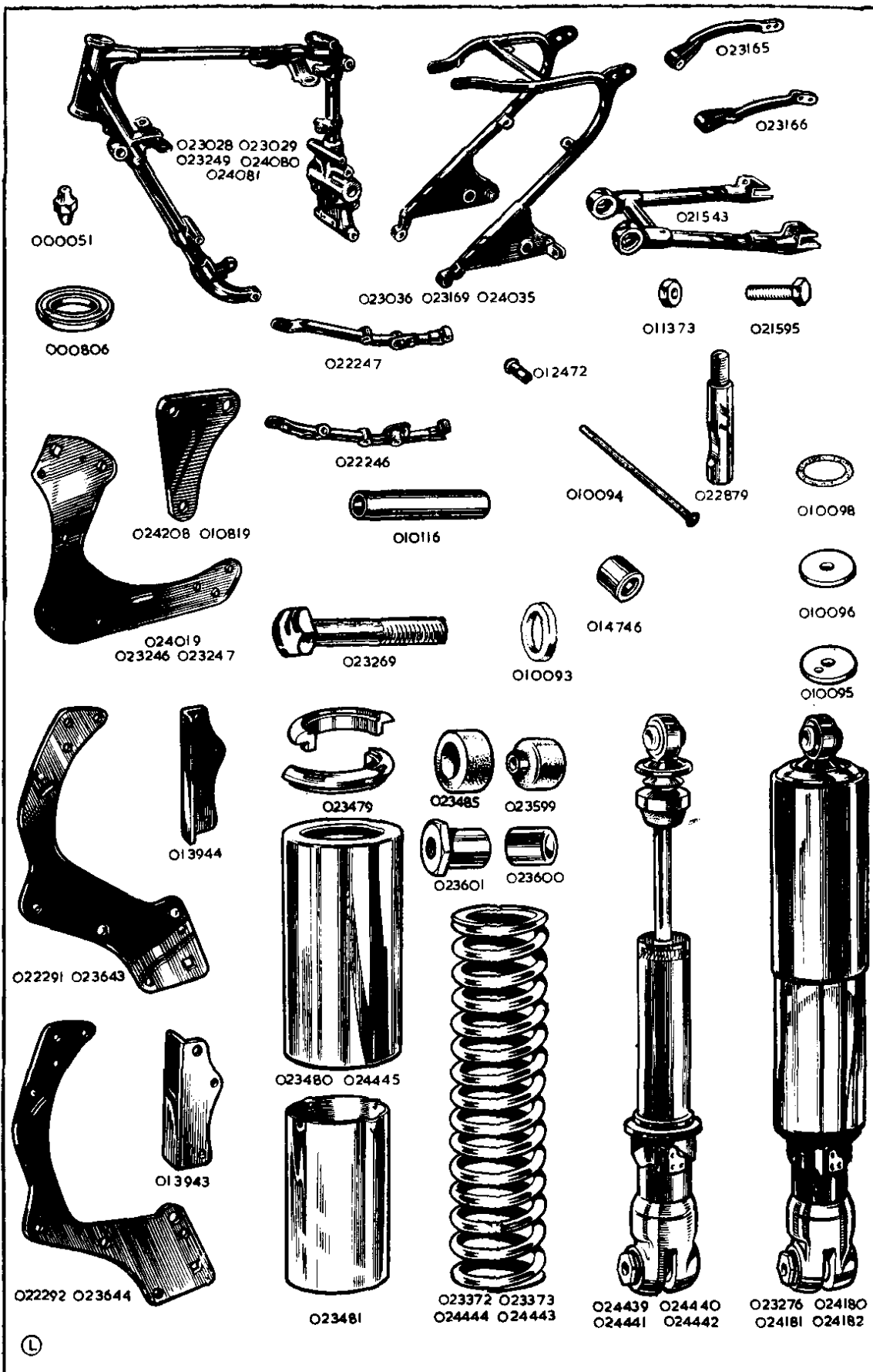
CLUTCH OPERATING PARTS

040084	... Rod, clutch operating	1	All
040029	... Lever, clutch operating.....	1	All
040059	... Body, clutch operating	1	All
040003	... Ring, lock, clutch operating body	1	All
040031	... Ball, clutch operating.....	1	All
040060	... Roller, clutch operating.....	1	All
040065	... Sleeve, clutch operating roller.....	1	All
000457	... Screw, clutch operating roller—2 BA.....	1	All
011846	... Nut, clutch operating roller screw—2 BA.....	1	All

KICK-STARTER

040114	... Axle kick-starter, with bush.....	1	All
040146	... Bush, for kick-starter axle	1	All
040017	... Pawl, for kick-starter axle.....	1	All
040033	... Pin, kick-starter axle pawl	1	All
040044	... Spring, kick-starter, axle pawl.....	1	All
040069	... Plunger, kick-starter, axle pawl	1	All
040042	... Stop, for kick-starter axle.....	1	All
040071	... Cam, for kick-starter axle.....	1	All
040041	... Rivet, for kick-starter cam and stop	2	All
040023	... Nut, for main shaft (kick-starter end)	1	All
040043	... Spring, return, kick-starter	1	All
040101	... Crank, kick-starter (with integral pin)	1	16MS, 18S, 20, 30
040102	... Bolt, fixing, kick-starter crank to axle	1	All

THE MAINTENANCE MANUAL AND INSTRUCTION BOOK
HAS NINETY-NINE PAGES AND FORTY-NINE ILLUSTRATIONS



PART NUMBER	DESCRIPTION	QTY.	USED ON	PRICE EACH £ s. d.
FRONT FRAME				
023028	... Frame, front portion, only bare	1	16MS, 18S	...
023029	... Frame, front portion, only, bare	1	20, 30	...
000806	... Race, Ball, for frame head lug	2	All except 16MCT	...
000072	... Balls, $\frac{3}{8}$ in. diameter, for steering head.....per set of	56	All	...
000051	... Nipple, grease, for frame head lug	1	All	...
023250	... Stud, for seat lug (below saddle).....	1	16MS, 18S, 20, 30	...
000292	... Nut, for seat lug stud	2	16MS, 18S, 20, 30	...
000176	... Washer, for seat lug stud	2	16MS, 18S, 20, 30	...
021084	... Stud, uniting front frame and rails	1	16MS, 18S, 20, 30	...
000003	... Nut, for uniting stud	1	All	...
000010	... Washer, for uniting stud	1	All	...
REAR FRAME				
023036	... Loop, rear frame.....	1	16MS, 18S, 20, 30	...
022246	... Rail, frame, left side	1	16MS, 18S, 20, 30	...
022247	... Rail, frame, right side	1	16MS, 18S, 20, 30	...
022248	... Stud, for rear loop at bottom	1	16MS, 18S, 20, 30	...
000002	... Nut, rear loop stud	2	All	...
000009	... Washer, rear loop stud	2	All	...
023165	... Tube, supporting rear mudguard, left side	1	16MS, 18S, 20, 30	...
023166	... Tube, supporting rear mudguard, right side.....	1	16MS, 18S, 20, 30	...
000351	... Bolt, fixing support tube to mudguard	2	16MS, 18S, 20, 30	...
022549	... Washer, chrome (outside), support tube bolt	2	16MS, 18S, 20, 30	...
000191	... Washer, spring support tube bolt	2	16MS, 18S, 20, 30	...
000005	... Nut, support tube bolt	2	16MS, 18S, 20, 30	...
023269	... Bolt, fixing support tube to loop (also fixes top pivot of rear leg)	2	16MS, 18S, 20, 30	...
022519	... Cover, for frame.....	1	16MS, 18S	...
022390	... Cover, for frame.....	1	20-30	...
022541	... Beading, plastic, 20 in. for frame cover	1	16MS, 18S, 20, 30	...
014357	... Screw, for frame cover	2	All	...
000191	... Washer, spring, for frame cover screw	2	All	...
REAR FORK				
021543	... Fork, rear.....	1	All	...
021595	... Adjuster, rear chain	1	All	...
011373	... Nut, lock, for chain adjuster	1	All	...
014746	... Sleeve, assembly (bushed).....	2	All	...
010116	... Tube	1	All	...

BEFORE ORDERING SPARES
PLEASE NOTE THE INFORMATION GIVEN ON PAGES
TWO AND THREE

PART NUMBER	DESCRIPTION	QTY.	USED ON	PRICE EACH £ s. d.
-------------	-------------	------	---------	-----------------------

REAR FORK—continued

010095	... Cap, for rear fork bearing, right side	1	All	...
010096	... Cap, for rear fork bearing, left side	1	All	...
010093	... Washer, felt, for rear fork bearing	2	All	...
010098	... Gasket, for rear fork bearing caps	2	All	...
010094	... Spoke, for rear fork bearing (central tie bolt)	1	All	...
012472	... Nipple, for rear fork bearing spoke	1	All	...
000485	... Screw, plug, for oil, in end cap, $\frac{1}{4}$ in. by $\frac{1}{4}$ in. by 26	1	All	...
000203	... Washer, fibre, for oil plug screw	1	All	...
022879	... Pin, cotter, for bearing tube	2	All	...
000004	... Nut, for bearing cotter pin	2	All	...
014117	... Washer, for bearing cotter pin	2	All	...

FORK ASSEMBLIES

The following fork assemblies are complete and include ball races for the fork crown and top head lug (but not the two frame ball races).

023521	... Fork, assembly (TELEDRAULIC Front Fork, Solo)	1	16MS, 18S, 20, 30	...
023522	... Fork, assembly (TELEDRAULIC Front Fork, Sidecar)	1	16MS, 18S, 20, 30	...

For ease of servicing, the inner tube unit and damper unit are listed and supplied as separate assemblies. This enables a complete assembly to be exchanged in minimum time.

The units are listed below.

023523	... Front fork inner tube assembly, Solo	2	16MS, 18S, 20, 30	...
023524	... Front fork inner tube assembly, Sidecar	2	16MS, 18S, 20, 30	...

The above assemblies comprise:—

Inner tubes with rubber buffers, bushes and circlips, top bolts with washers and sealing rings, slider extensions with oil seals, fork springs and washers.

021974	... Front fork damper assembly	2	16MS, 18S, 20, 30	...
--------	--------------------------------	---	----------------------	-----

The above assembly comprises:—

Rod and two nuts, damper tube with valve, seat and pin, sleeve and clip and bottom fixing bolt with washer.

FRONT FORK

021927	... Crown, assembly, comprising crown, stem and circlip (these parts not sold separately)	1	16MS, 18S, 20, 30	...
000805	... Race, ball, for fork crown	1	All	...
021740	... Screw, pinch, for fork crown	2	16MS, 18S, 20, 30	...
021749	... Lug, for handlebar and steering head	1	16MS, 18S, 20, 30	...
012620	... Race, ball, for handlebar lug	1	All	...
000051	... Nipple, grease, for handlebar lug	1	All	...
021741	... Nut, adjusting, for fork crown stem	1	All	...
021642	... Nut, lock (domed), for fork crown stem	1	All	...
022823	... Tube, fork, inner	2	All	...
021911	... Buffer, rubber, for fork inner tube	6	All	...
021495	... Bush, bottom, for fork inner tube	2	All	...
021651	... Circlip, for fork inner tube bush	4	All	...
022215	... Bolt, top, for fork inner tube	2	All	...
022216	... Grommet for top bolt	2	All	...
022213	... Adaptor for damper rod	2	All	...
014355	... Ring, sealing, for fork inner tube top bolt	2	All	...
022792	... Slider, fork, with cap, studs and nuts, left	1	16MS, 18S, 20, 30	...
022793	... Slider, fork, with cap, studs, and nuts, right	1	16MS, 18S, 20, 30	...
022799	... Cap, for fork slider	2	All	...
010713	... Stud, securing fork slider cap, $1\frac{1}{8}$ in. by $\frac{5}{16}$ in. by 26 and 22	4	All	...
000011	... Washer, plain, for fork slider cap stud	4	All	...

PART NUMBER	DESCRIPTION	QTY.	USED ON	PRICE EACH £ s. d.
FRONT FORK—continued				
000004	Nut, for fork slider cap stud	4	All	...
021907	Extension, for fork slider	2	All	...
022700	Bush, plastic, for fork inner tube	2	All	...
022699	Oil seal, for fork inner tube (rubber)	2	All	...
022369	Spring, main, for front fork, solo	2	16MS, 18S, 20, 30	...
021789	Spring, main, for front fork, sidecar	2	16MS, 18S, 20, 30	...
022079	Spring, buffer, for front fork	2	All	...
022021	Collar, for buffer spring	2	All	...
021785	Washer, leather, fork spring seating, top	2	All	...
021786	Washer, leather, fork spring seating, bottom	2	All	...
021732	Tube, fork cover, top, right, with lamp lug	1	All	...
021731	Tube, fork cover, top, left, with lamp lug	1	All	...
021742	Spigot, for top of fork top cover tubes	2	All	...
021910	Seat (rubber), for cover tube	2	All	...
021912	Housing, for fork top cover tube	2	All	...
021735	Tube fork cover, bottom	2	All	...
000485	Screw, plug, oil drain, for fork slider, $\frac{1}{2}$ in. by $\frac{1}{4}$ in. by 26	2	All	...
000203	Washer, fibre, for fork slider screw oil	2	All	...
022890	Tube, fork damper	2	16MS, 18S, 20, 30	...
010697	Bolt, fixing fork damper to slider, $\frac{7}{16}$ in. by $\frac{5}{16}$ in. by 26	2	All	...
010706	Washer, fibre, for damper tube bolt	2	All	...
017357	Rod, for fork damper	2	All	...
000004	Nut, lock, top end of damper rod	2	All	...
016072	Sleeve, plunger, for fork damper rod	2	All	...
016339	Clip, retaining damper rod sleeve	2	All	...
016304	Valve, for fork damper	2	All	...
010721	Pin, stop, for fork damper valve	2	All	...
010719	Seat, for fork damper valve	2	All	...
000005	Nut, lock, for fork damper valve seat	2	All	...
018691	Steering locking bar (own padlock to be used)	1	All	...
REAR SUSPENSION UNIT				
024180	Unit, complete, frame stay (Solo)	2	16MS, 18S, 20, 30	...
023276	Unit complete, frame stay (Sidecar)	2	16MS, 18S, 20, 30	...
024442	Unit, damper, inner assembly (Solo and Sidecar)	2	16MS, 18S, 20, 30	...
023480	Dust Shield, Top	2	All except scrambles	...
023481	Dust shield, bottom	2	All	...
023479	Clips, top shield	each half	4	All
023373	Spring, main, Solo (red and pink)	2	16MS, 18S, 20, 30	...
023372	Spring, main, Sidecar (blue and yellow)	2	16MS, 18S, 20, 30	...
023599	Sleeve, assembly, with rubber bush, top pivot	2	All	...
023485	Rubber, bottom pivot	2	All	...
023600	Bush, bottom pivot, rubber	2	All	...
023601	Nut, bottom pivot, bolt	2	All	...
023269	Bolt, top pivot	2	16MS, 18S, 20, 30	...
016712	Nut, top pivot bolt	2	16MS, 18S, 20, 30	...
016359	Bolt, bottom pivot	2	All	...
000010	Washer, plain, pivot bolts	4	All	...
STEERING DAMPER (This is an optional extra)				
022059	Damper steering, complete set of parts	1	All	...
017260	Knob, control, for steering damper	1	All	...
000162	Washer, ratchet, for steering damper knob	1	All	...

PART NUMBER	DESCRIPTION	QTY.	USED ON	PRICE EACH £ s. d.
-------------	-------------	------	---------	-----------------------

STEERING DAMPER—continued

000195	... Washer, spring, for steering damper knob	1	All	...
010808	... Cap, for top of steering stem	1	All	...
010807	... Drawbolt, for steering damper	1	All	...
015137	... Sleeve, assembly, lower end of drawbolt	1	All	...
000073	... Nut, locking sleeve to drawbolt	1	All	...
014577	... Bolt, fixing sleeve assembly, $\frac{7}{16}$ in. by $\frac{1}{4}$ in. by 26	1	All	...
000191	... Washer, spring, for bolt 014577	1	All	...
000012	... Washer, plain, for bolt 014577	1	All	...
017008	... Plate, anchor, top position	1	All	...
014577	... Bolt, fixing top anchor plate, $\frac{7}{16}$ in. by $\frac{1}{4}$ in. by 26	1	All	...
000191	... Washer, spring, for bolt 014577	1	All	...
000812	... Washer, friction, for steering damper	2	All	...
021811	... Nut, lock, for fork crown stem (this replaces the domed locknut 021642 when a steering damper is fitted)	1	All	...

HANDLEBAR

022484	... Handlebar, bare (standard)	1	16MS, 18S, 20, 30	...
022732	... Handlebar, bare (semi-western)	1	16MS, 18S, 20, 30	...
021978	... Clip, (half only), for handlebar lug	1	All	...
016947	... Screw, for handlebar clip, $\frac{7}{16}$ in. by $\frac{1}{4}$ in. by 26 (socket head)	3	All	...

CENTRE STAND

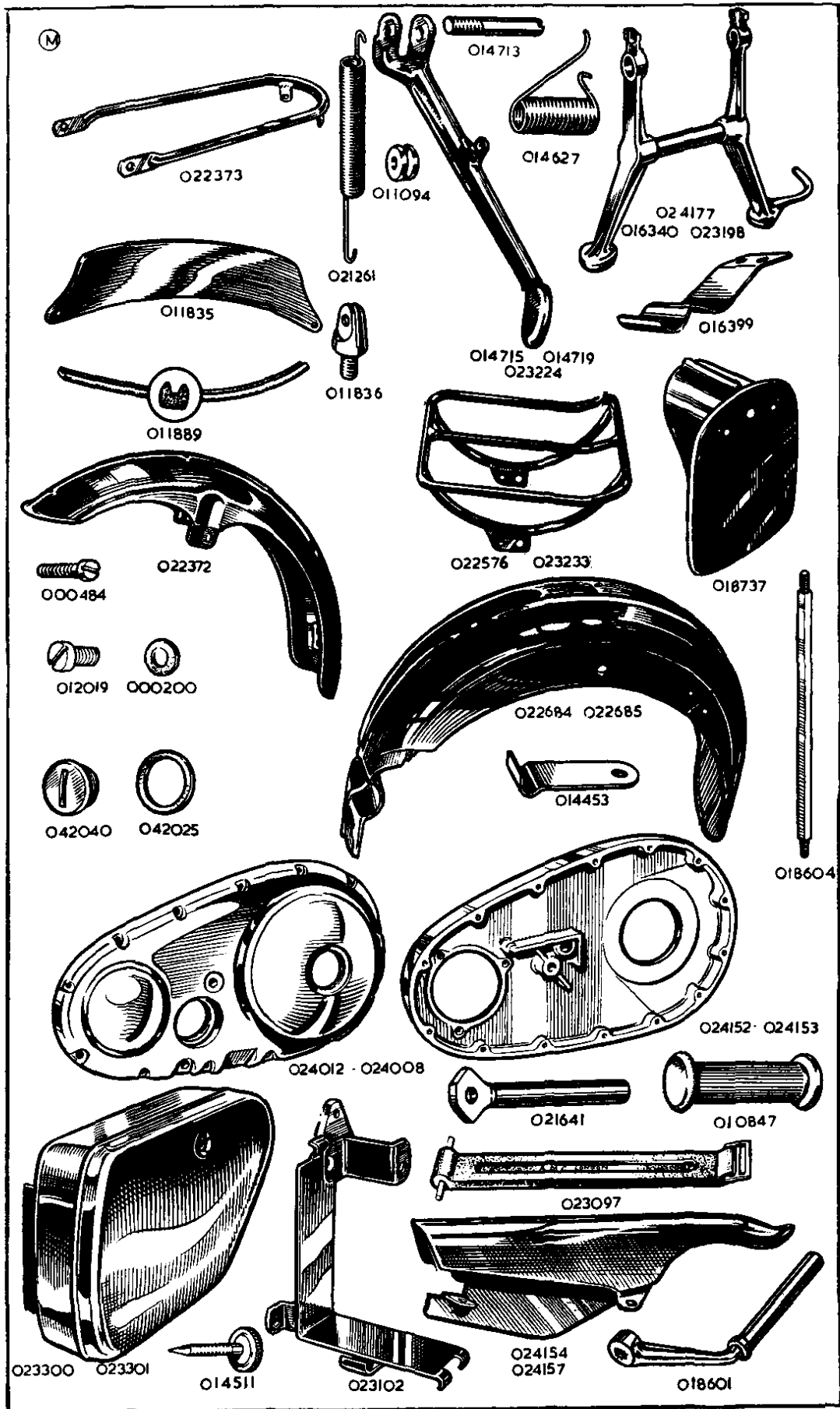
016340	... Stand, centre, bare	1	16MS, 18S	...
024177	... Stand, centre, bare	1	20, 30	...
014629	... Rod, for centre stand	1	16MS, 18S, 20, 30	...
000002	... Nut, centre stand rod	2	All	...
010912	... Washer, spigot, centre stand rod	2	All	...
014626	... Bush, for centre stand	2	16MS, 18S, 20, 30	...
014630	... Spacer, long, centre stand rod	1	16MS, 18S, 20, 30	...
014627	... Spring, return, for centre stand	1	All	...
016399	... Spring, stop, for centre stand	1	All	...
012565	... Bolt, fixing, centre stand stop spring	2	All	...
000039	... Washer, stop, spring bolt	2	All	...

PROP STAND

014715	... Stand, prop, bare	1	16MS, 18S	...
014719	... Stand, prop, bare	1	20, 30	...
014713	... Bolt, hinge, prop stand	1	All	...
014139	... Nut, hinge, bolt	1	All	...
000049	... Pin, split, hinge bolt	1	All	...
021261	... Spring, return, prop stand	1	All	...

FRONT MUDGUARD

022372	... Mudguard, front, bare	1	16MS, 18S, 20, 30	...
022373	... Stay, front, mudguard	1	16MS, 18S, 20, 30	...
010795	... Bolt, stay to fork slider	2	16MS, 18S, 20, 30	...
000192	... Washer, spring, stay to fork slider bolt	2	16MS, 18S, 20, 30	...
000070	... Bolt, stay to mudguard	2	16MS, 18S, 20, 30	...
000191	... Washer, spring, stay to mudguard bolt	2	16MS, 18S, 20, 30	...
000012	... Washer, plain, stay to mudguard bolt	2	16MS, 18S, 20, 30	...
000005	... Nut, stay to mudguard bolt	2	16MS, 18S, 20, 30	...



PART NUMBER	DESCRIPTION	QTY.	USED ON	PRICE EACH £ s. d.
-------------	-------------	------	---------	-----------------------

FRONT MUDGUARD—*continued*

010795	... Bolt, mudguard bridge to slider, right	2	All	...
000192	... Washer, mudguard bridge bolt	2	All	...
010624	... Stud, mudguard bridge to slider, left	2	All	...
000004	... Nut, mudguard bridge stud	2	All	...
014117	... Washer, shakeproof mudguard bridge stud	2	All	...

REAR MUDGUARD

022685	... Rear mudguard (both portions with joint bolts)	1	16MS, 18S, 20, 30	...
022389	... Rear mudguard, forward portion only	1	16MS, 18S, 20, 30	...
021710	... Rear mudguard, rear portion only	1	16MS, 18S, 20, 30	...
021098	... Bolt, for mudguard joint	3	16MS, 18S, 20, 30	...
021099	... Washer, for mudguard joint bolt	3	16MS, 18S, 20, 30	...
022250	... Bracket, for bottom of rear mudguard	2	16MS, 18S, 20, 30	...
000342	... Bolt, fixing bracket to rear mudguard, $\frac{1}{8}$ in. by $\frac{1}{4}$ in. by 26	2	16MS, 18S, 20, 30	...
000012	... Washer, plain, for bracket fixing bolt	4	16MS, 18S, 20, 30	...
000005	... Nut, for bracket fixing bolt	2	16MS, 18S, 20, 30	...
000275	... Stud, fixing rear mudguard brackets to frame, $3\frac{3}{8}$ in. by $\frac{5}{16}$ in. by 26	1	16MS, 18S, 20, 30	...
000011	... Washer, plain, for bracket fixing stud	2	16MS, 18S, 20, 30	...
000004	... Nut, for bracket fixing stud	2	16MS, 18S, 20, 30	...
000346	... Bolt, fixing rear mudguard to frame loop bridge, $1\frac{7}{16}$ in. by $\frac{1}{4}$ in. by 26	1	All	...
000191	... Washer, spring, for bridge fixing bolt	1	All	...
000005	... Nut, for bridge fixing bolt	1	All	...
000012	... Washer, plain, for bridge fixing bolt	1	All	...
000172	... Washer, plain, for bridge fixing bolt	1	All	...

FRONT NUMBER PLATE

011835	... Plate, number, front	1	16MS, 18S, 20, 30	...
011836	... Stud, fixing front number plate	2	All	...
000012	... Washer, plain, front number plate stud	2	All	...
000005	... Nut, front number plate stud	2	All	...
000861	... Screw, fixing front number plate to stud, $\frac{5}{8}$ in. by 2 BA	2	All	...
011889	... Fillet, rubber, front number plate	1	16MS, 18S, 20, 30	...

REAR NUMBER PLATE

018737	... Plate, number, rear, 8 in. wide	1	16MS, 18S, 20, 30	...
000363	... Bolt, fixing rear number plate, $\frac{3}{4}$ in. by $\frac{5}{16}$ in. by 26	2	16MS, 18S, 20, 30	...
000192	... Washer, spring, rear number plate bolt	2	16MS, 18S, 20, 30	...

PART NUMBER	DESCRIPTION	QTY.	USED ON	PRICE EACH £ s. d.
REAR CARRIER				
023233	Carrier, rear, assembled (horizontal).....	1	16MS, 18S, 20, 30	...
022576	Carrier, rear, assembled (inclined).....	1	16MS, 18S, 20, 30	...
022738	Bolt, fixing carrier	2	16MS, 18S, 20, 30	...
022737	Washer, carrier fixing bolt	2	16MS, 18S, 20, 30	...
FRONT CHAINCASE				
024152	Chaincase, back half, assembled	1	16MS, 18S	...
024153	Chaincase, back half, assembled	1	All Twins	...
024012	Chaincase, front half, only.....	1	16MS, 18S	...
024008	Chaincase, front half, only.....	1	All Twins	...
024148	Screw, fixing chaincase to crankcase	3	16MS, 18S and all Twins	...
022131	Washer, chaincase fixing screw	3	16MS, 18S and all Twins	...
024136	Stud, chaincase centre	1	16MS, 18S	...
024285	Stud, chaincase centre	1	All Twins	...
000004	Nut, chaincase centre stud	1	16MS, 18S	...
024286	Nut, chaincase centre stud	1	All Twins	...
000011	Washer, chaincase centre stud.....	1	16MS, 18S and all Twins	...
000484	Screw, joining chaincase halves	14	16MS, 18S and all Twins	...
012019	Plug, drain	1	16MS, 18S and all Twins	...
000200	Washer, fibre, drain plug	1	16MS, 18S and all Twins	...
042040	Inspection cap	2	16MS, 18S and all Twins	...
042025	Gasket, inspection cap	2	16MS, 18S and all Twins	...
024020	Gasket, chaincase joint	1	16MS, 18S	...
024021	Gasket, chaincase joint	1	All Twins	...
024024	Gasket, chaincase centre stud	1	16MS, 18S and all Twins	...
024023	Gaskets, centre boss to crankcase	1	16MS, 18S	...
024022	Gaskets, centre boss to crankcase	1	All Twins	...
REAR CHAINGUARD				
024157	Chainguard, rear, only	1	16MS, 18S	...
024154	Chainguard, rear, only	1	All Twins	...
000350	Bolt, fixing chainguard, at front	1	All	...
024218	Bolt, fixing chainguard at rear	1	All	...
023146	Nut, front fixing bolt.....	1	All	...
021578	Spacer, rear fixing bolt.....	1	All	...
021579	Washer, rear fixing bolt	1	All	...
023509	Washer, tab, front bolt.....	1	All	...
BATTERY CARRIER				
023102	Carrier, battery, back portion only	1	16MS, 18S, 20, 30	...
023097	Carrier, battery, front strap.....	1	16MS, 18S, 20, 30	...
000369	Bolt, battery carrier to frame	1	16MS, 18S	...
000369	Bolt, battery carrier to frame	2	20, 30	...
000349	Bolt, battery carrier to frame	1	16MS, 18S, 20, 30	...
000004	Nut, for 000369 bolt	1	16MS, 18S	...
000004	Nut, for 000369 bolt	2	20, 30	...
000011	Washer, for 000004 nut.....	2	16MS, 18S	...
000011	Washer, for 000004 nut.....	4	20, 30	...
000005	Nut, for 000349 bolt	1	16MS, 18S, 20, 30	...
000012	Washer, for 000005 nut.....	1	16MS, 18S, 20, 30	...

PART NUMBER	DESCRIPTION	QTY.	USED ON	PRICE EACH £ s. d.
BATTERY CARRIER—continued				
014577	Bolt, earthing cable	1	16MS, 18S, 20, 30	...
000012	Washer, earthing cable bolt	1	16MS, 18S, 20, 30	...
022721	Rubber, for battery carrier	1	16MS, 18S, 20, 30	...
FOOTRESTS				
018601	Arm, for footrest	2	16MS, 18S, 20, 30	...
010847	Pad, rubber, for footrest arm	2	16MS, 18S, 20, 30	...
018604	Rod, for footrests, overall length, 10½ in.	1	16MS, 18S, 20, 30	...
010924	Spacer, 3½ in. long, for footrest rod, between rear engine plates	1	All	...
013837	Spacer, 1 in. long, for footrest, outside right	1	16MS, 18S, 20, 30	...
010911	Spacer, 1½ in. long, for footrest, outside left	1	16MS, 18S, 20, 30	...
000009	Washer, plain, for footrest rod	2	All	...
000002	Nut, for footrest rod	2	All	...
PILLION FOOTRESTS (Optional equipment)				
021984	Pillion footrests, complete	pair	1	16MS, 18S, 20, 30
021641	Spindle, bare, pillion footrest	2	16MS, 18S, 20, 30	...
011599	Bolt, hinge, for pillion footrest spindle, 1¾ un. by ⅜ in. by 26	2	16MS, 18S, 20, 30	...
000073	Nut, for pillion footrest hinge bolt	2	16MS, 18S, 20, 30	...
010847	Pad, rubber, for pillion footrest spindle	2	16MS, 18S, 20, 30	...
SADDLE				
023040	Twin seat	1	16MS, 18S, 20, 30	...
023251	Screw, fixing twin seat	2	16MS, 18S, 20, 30	...
022083	Nut, twin seat fixing screw	2	16MS, 18S, 20, 30	...
000011	Washer, twin seat fixing screw	2	16MS, 18S, 20, 30	...
TOOL BOXES				
023301	Box, tool, bare, with lid	1	16MS, 18S, 20, 30	...
023328	Lid, only, for tool box (black)	1	16MS, 18S, 20, 30	...
024318	Lid, only, for tool box (blue)	1	16MS, 18S, 20, 30	...
014511	Screw, knurled, for tool box lid	1	All	...
000189	Washer, spring, for tool box lid screw	1	All	...
000005	Nut, for tool box lid screw	2	All	...
000070	Bolt, fixing tool box, top and rear	2	16MS, 18S, 20, 30	...
000005	Nut, tool box fixing bolt	2	16MS, 18S, 20, 30	...
000012	Washer, tool box fixing bolt	4	16MS, 18S, 20, 30	...
000070	Bolt, tool box, battery carrier	2	16MS, 18S, 20, 30	...
000005	Nut, tool box, battery carrier bolt	2	16MS, 18S, 20, 30	...
000012	Washer, tool box, battery carrier bolt	4	16MS, 18S, 20, 30	...

PART NUMBER	DESCRIPTION	QTY.	USED ON	PRICE EACH £ s. d.
----------------	-------------	------	------------	--------------------------

TRANSFERS

024421	... Transfers, complete set	1	16MS, 18S, 20	...
024424	... Transfers, complete set	1	30	...
009197	... Transfer, for rear fork hinge (patent)	1	All	...
009199	... Transfer, for front forks (patent)	1	All	...
009200	... Transfer, for front forks (made in England)	1	All	...
009194	... Transfer, rear mudguard (A.J.S.)	1	All	...
023302	... Transfer, for side of oil tank (motif)	1	All except 16CT	...
023277	... Transfer, for oil tank (top level)	1	All except 16CT	...
023279	... Transfer, for oil tank (low level)	1	All except 16CT	...
023136	... Transfer, oil recommendation	1	All	...
009206	... Transfer, top of petrol tank (600 cc)	1	30	...
023302	... Transfer, for tool box lid (motif)	1	16MS, 18S, 20, 30	...
009195	... Transfer, for petrol tank (reserve)	1	All	...

BRAKE CABLE

023679	... Cable, assembled, front brake, standard bar	1	16MS, 18S, 20, 30	...
023680	... Cable, assembled, front brake, Western bar	1	16MS, 18S, 20, 30	...
011348	... Adjuster, front brake cable	1	All	...
017217	... Nut, lock, front brake cable adjuster	1	All	...
022550	... Sleeve, rubber, front brake cable	1	All	...

CLUTCH CABLE

024169	... Cable, assembled, clutch, standard bar	1	16MS, 18S, 20, 30	...
024231	... Cable, assembled, clutch, Western bar	1	16MS, 18S, 20, 30	...
014225	... Adjuster, clutch cable	1	All	...
011373	... Nut, lock, clutch cable adjuster	1	All	...

VALVE LIFTER CABLE

023710	... Cable, assembled, valve lifter, standard bar	1	All Singles	...
023703	... Cable, assembled, valve lifter, Western bar	1	All Singles	...
014225	... Adjuster, valve lifter cable	1	All Singles	...
011373	... Nut, lock, valve lifter cable adjuster	1	All Singles	...

THROTTLE CABLE

024170	... Cable, assembled, throttle, standard bar	1	16MS, 20, 30	...
024232	... Cable, assembled, throttle, Western bar	1	16MS, 20, 30	...
024171	... Cable, assembled, throttle, standard bar	1	18S	...
024245	... Cable, assembled, throttle, Western bar	1	18S	...

AIR CABLE

023694	... Cable, assembled, air, standard bar	1	16MS, 20, 30	...
023697	... Cable, assembled, air, Western bar	1	16MS, 20, 30	...
023695	... Cable, assembled, air, standard bar	1	18S	...
023698	... Cable, assembled, air, Western bar	1	18S	...

IGNITION CABLE

018749	... Cable, assembled, ignition, standard bar	1	All Twins	...
023701	... Cable, assembled, ignition, Western bar	1	All Twins	...
022728	... Sleeve, rubber, for control cables	2	16MS, 18S, 20, 30	...

PART NUMBER	DESCRIPTION	QTY.	USED ON	PRICE EACH £ s. d.
-------------	-------------	------	---------	-----------------------

TWIST GRIP

366-2	Twist grip, complete	1	All	...
366-001	Body, twist grip, top half	1	All	...
366-002	Body, twist grip, bottom half	1	All	...
366-004	Rotor, twist grip	1	All	...
376-079	Screw, fixing twist grip halves	2	All	...
366-007	Spring, friction	1	All	...
366-008	Screw, friction spring	1	All	...
366-006	Stop, for cable	1	All	...
16-070	Grip, for twist grip rotor	1	All	...

DUMMY GRIP

16-069	Grip, dummy, for left side handlebar	1	All	...
--------	--------------------------------------	---	-----	-----

BRAKE AND AIR CONTROL LEVERS

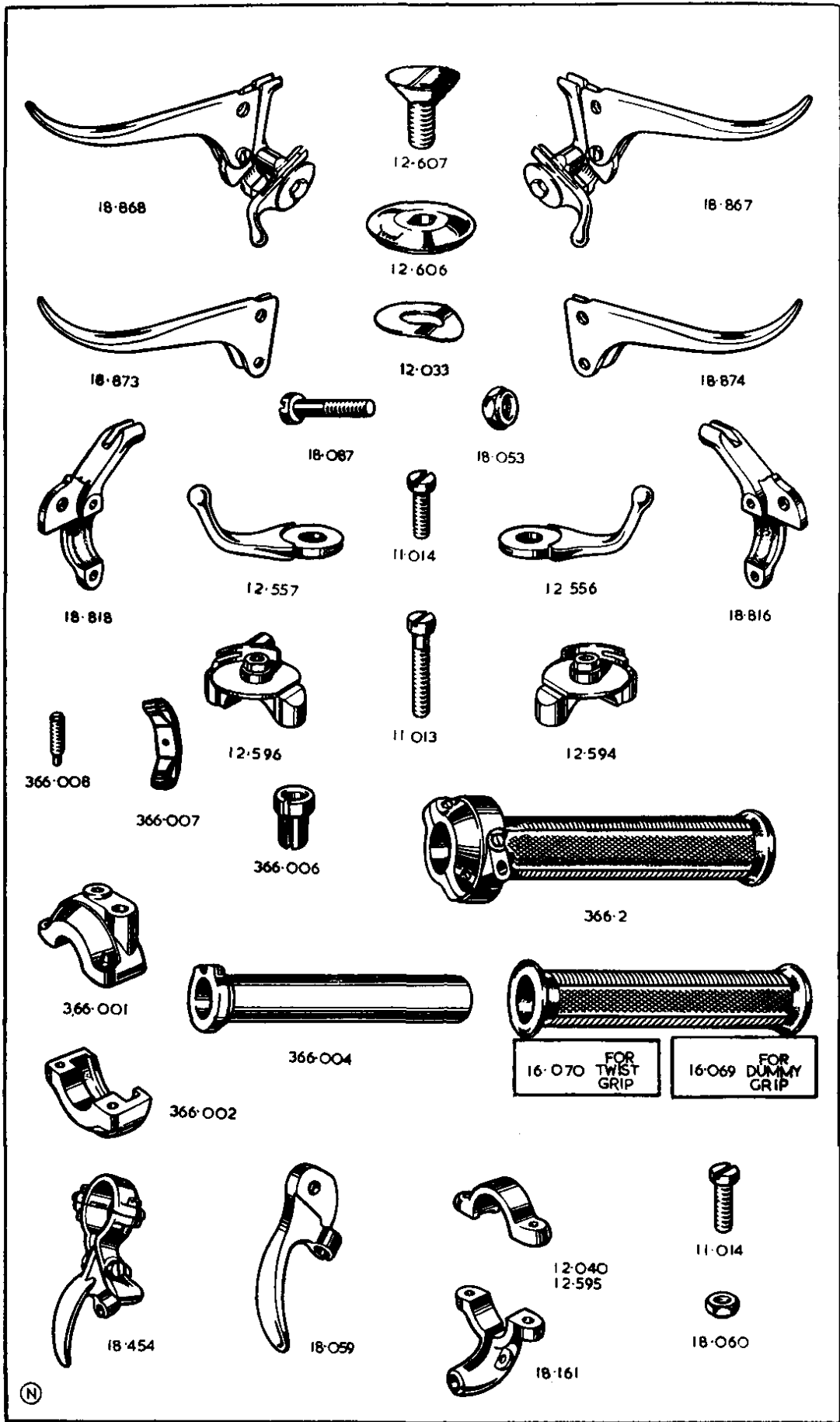
18-867	Lever, assembly, brake and air	1	16MS, 18S, 20, 30	...
18-816	Bracket, for brake lever	1	16MS, 18S, 20, 30	...
18-874	Lever, only front brake	1	All	...
18-087	Pin, fulcrum, front brake lever	1	All	...
18-053	Nut, brake lever fulcrum pin	1	All	...
12-594	Body, air control lever	1	All	...
12-556	Lever only, air	1	All	...
12-607	Bolt, air control lever	1	All	...
12-606	Cap, air control lever	1	All	...
12-033	Washer, spring, air lever cap	1	All	...
11-013	Screw, clamping bracket, long	1	16MS, 18S, 20, 30	...
11-014	Screw, clamping bracket, short	1	16MS, 18S, 20, 30	...
023707	Adaptor, roller, for brake cable	1	All	...

CLUTCH AND IGNITION CONTROL LEVERS

18-868	Lever, assembly, clutch and ignition	1	All Twins	...
18-875	Lever, assembly, clutch	1	All Singles	...
18-818	Bracket, for clutch lever	1	All Twins	...
18-814	Bracket, for clutch lever	1	All Singles	...
18-873	Lever only, clutch	1	All	...
18-087	Pin, fulcrum, clutch lever	1	All	...
18-053	Nut, brake lever fulcrum pin	1	All	...
12-596	Body, only ignition lever	1	All except 16MS, 18S	...
12-557	Lever, only ignition	1	All except 16MS, 18S	...
12-607	Bolt, ignition control lever	1	All except 16MS, 18S	...
12-606	Cap, ignition control lever	1	All except 16MS, 18S	...
12-033	Washer, spring, ignition lever cap	1	All except 16MS, 18S	...
11-013	Screw, clamping bracket, long	1	All	...
11-014	Screw, clamping brake, short	1	All	...
12-595	Clamp, control lever bracket	1	All Singles	...
023707	Adaptor roller, for clutch cable	1	All	...

VALVE LIFTER CONTROL LEVER

18-454	Lever assembly, exhaust lifter	1	All Singles	...
18-161	Bracket, only exhaust lifter	1	All Singles	...
18-059	Lever, only exhaust lever	1	All Singles	...
11-014	Pin, fulcrum, exhaust lifter lever	1	All Singles	...
18-060	Nut, exhaust lever fulcrum pin	1	All Singles	...
12-040	Clamp, exhaust lever body	1	All Singles	...
11-014	Screw, exhaust lever body clamp	2	All Singles	...



(N)

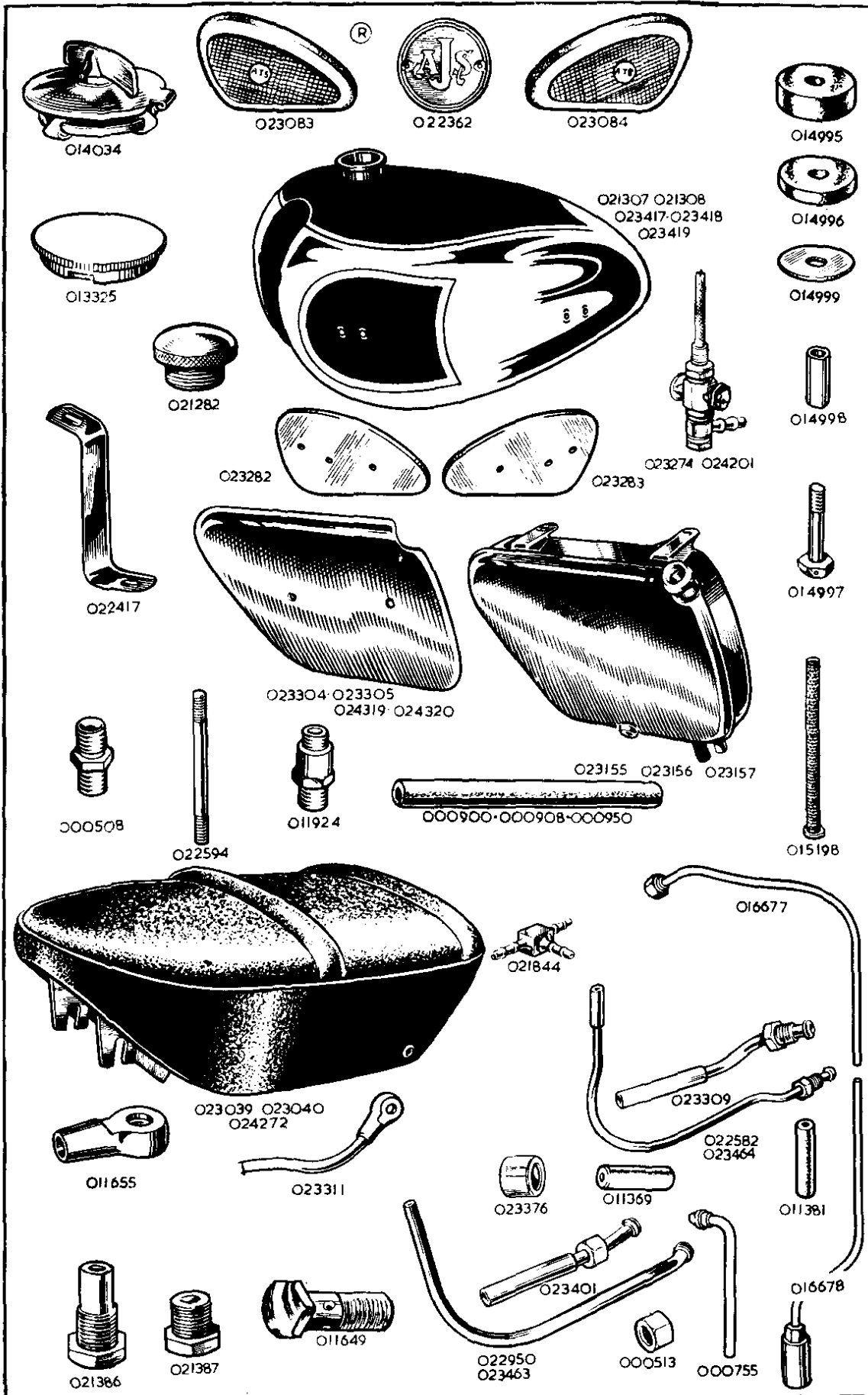
PART NUMBER	DESCRIPTION	QTY.	USED ON	PRICE EACH £ s. d.
-------------	-------------	------	---------	-----------------------

PETROL TANK

021308	Tank, petrol, bare, enamelled, black	1	16MS, 18S	...
023417	Tank, petrol, bare, enamelled, black	1	20	...
023419	Tank, petrol, bare, enamelled, blue	1	30	...
023359	Panel, chrome, left side	1	20, 30	...
023358	Panel, chrome, right side	1	20, 30	...
023361	Bead, tank panel, blue	2	20, 30	...
022520	Motif, for petrol tank	2	16MS, 18S	...
022362	Motif, for petrol tank	2	20, 30	...
022370	Seating, for petrol tank motif	2	16MS, 18S, 20, 30	...
000152	Screw, petrol tank motif	4	16MS, 18S	...
023371	Screw, petrol tank motif	4	20, 30	...
023083	Grip, rubber, for petrol tank, left side	1	16MS, 18S, 20, 30	...
023084	Grip, rubber, for petrol tank, right side	1	16MS, 18S, 20, 30	...
023282	Plate, for rubber grip, left side	1	16MS, 18S, 20, 30	...
023283	Plate, for rubber grip, right side	1	16MS, 18S, 20, 30	...
000348	Bolt, fixing, knee grip plate	4	16MS, 18S	...
000070	Bolt, fixing, knee grip plate	4	20, 30	...
000172	Washer, plain, $\frac{1}{4}$ in., knee grip plate bolt	4	20, 30	...
000178	Washer, plain, $\frac{1}{4}$ in., knee grip plate bolt	2	20, 30	...
000639	Spacer, knee grip plate bolt	2	20, 30	...
013325	Cap, filler, for petrol tank	1	16MS, 18S, 20, 30	...
023274	Tap, petrol, with filter and banjo	2	16MS, 18S, 20, 30	...
000908	$12\frac{1}{8}$ in. Pipe (plastic), petrol feed	1	16MS, 18S	...
000908	$13\frac{1}{8}$ in. pipe (plastic), petrol feed	1	20, 30	...
021844	"T" piece union, for feed pipe	1	All	...
014997	Bolt, fixing, petrol tank	4	16MS, 18S, 20, 30	...
014995	Rubber, thick, petrol tank fixing bolt	4	16MS, 18S, 20, 30	...
014996	Rubber, thin, petrol tank fixing bolt	4	16MS, 18S, 20, 30	...
014998	Sleeve, petrol tank fixing bolt	4	16MS, 18S, 20, 30	...
014999	Washer, petrol tank fixing bolt	4	16MS, 18S, 20, 30	...
017051	Wire, copper, petrol tank fixing bolt (coil)	Q	16MS, 18S, 20, 30	...

OIL TANK

023156	Tank, oil, bare	1	16MS, 18S	...
023155	Tank, oil, bare	1	20, 30	...
023305	Cover, for oil tank, black	1	20, 30	...
024320	Cover, for oil tank, blue	1	20, 30	...
022632	Screw, for oil tank cover	2	All Twins	...
000203	Washer, fibre, oil tank cover screw	2	All Twins	...
000012	Washer, plain, oil tank cover screw	2	All Twins	...
021282	Cap, filler, for oil tank	1	All	...
021329	Washer, oil tank filler cap	1	All	...
012019	Plug, drain, for oil tank	1	All	...
000200	Washer, fibre, oil tank drain plug	1	All	...
000361	Bolt, fixing, oil tank top	1	All	...
014779	Washer, Shakeproof, oil tank top fixing bolt	1	16MS, 18S, 20, 30	...
022417	Bracket, oil tank to seat tube	1	16MS, 18S, 20, 30	...
000070	Bolt, oil tank bracket to seat tube	1	16MS, 18S, 20, 30	...
000012	Washer, oil tank bracket bolt	1	16MS, 18S, 20, 30	...



PART NUMBER	DESCRIPTION	QTY.	USED ON	PRICE EACH £ s. d.
OIL PIPES				
023401	... Pipe, oil feed	1	16MS, 18S	...
023311	... Pipe, oil feed	1	20, 30	...
000950	... 18 in. Hose, rubber, oil feed pipe	1	16MS, 18S	...
000950	... 22 in. Hose, rubber, oil feed pipe	1	20, 30	...
015198	... Filter, metal gauze, for oil feed pipe	1	All	...
011924	... Union, oil feed pipe	1	All Singles	...
015528	... Washer, oil feed union	1	All Singles	...
023309	... Pipe, oil return	1	16MS, 18S	...
023311	... Pipe, oil return	1	20, 30	...
000950	... 18 in. Hose, rubber, oil return pipe	1	16MS, 18S, 20, 30	...
023376	... Ferrule, oil feed and return pipe hose	4	16MS, 18S, 20, 30	...
000951	... 5 in. Sleeve, plastic oil feed and return pipes	1	16MS, 18S, 20, 30	...
016677	... Pipe, rocker box oil feed, top portion	1	All Singles	...
016678	... Pipe, rocker box oil feed, bottom portion	1	All Singles	...
011381	... Connection, rubber, rocker oil feed pipes	1	All Singles	...
000513	... Nut, union, rocker feed pipe, top end	1	All Singles	...
017180	... Nut, union, rocker feed pipe, bottom end	1	All Singles	...
000755	... Pipe, oil discharge, for release valve	1	All Singles	...
022570	... Pipe, vent (chain oiler)	1	All	...
000900	... 7 $\frac{3}{4}$ in. Hose, vent pipe	1	All	...
011649	... Pin, banjo, retaining oil pipes to engine	2	All Twins	...
000183	... Washer, fibre, oil pipe banjo	4	All Twins	...

WHEEL AND BRAKE SECTION

PART NUMBER	DESCRIPTION	QTY.	USED ON	PRICE EACH £ s. d.
FRONT WHEEL				
THE COMPLETE WHEELS LISTED BELOW COMPRISE:—				
Rim spokes, nipples, hub, hub disc, grease nipple, all bearings, and all brake parts including cover plate and expander lever, but does not include the tyre.				
024379	... Wheel, front, complete with all fittings	1	16MS, 18S, 20, 30	...
024486	... Wheel, front, complete with all fittings (blue centre rim)	1	30	...
024381	... Wheel, front, bare, less all fittings	1	16MS, 18S, 20, 30	...
024487	... Wheel, front, bare, less all fittings (blue centre rim)	1	30	...
024248	... Rim, front, 19 in. by 2 $\frac{1}{2}$ in., chrome	1	16MS, 18S, 20, 30	...
023647	... Rim, front, 19 in. by 2 $\frac{1}{2}$ in. (blue centre)	1	30	...
021152	... Spoke, front wheel	40	16MS, 18S, 20, 30	...
021154	... Nipple, front wheel spoke	40	All	...
024005	... Hub, front wheel, shell only with brake drum	1	All	...
000051	... Nipple, grease, front wheel hub	1	All	...
011090	... Tape, for 19 in. by 2 $\frac{1}{2}$ in. rim	1	16MS, 18S, 20, 30	...
021464	... Disc, for right hand side of hub	1	All	...
FRONT WHEEL BEARINGS				
012825	... Spindle, with roller bearings, for front wheel	1	All	...
010579	... Oil seal, for front hub bearings	2	All	...
017219	... Ring, spring, locating front hub bearings	1	All	...
018093	... Cup, for front hub bearing oil-seal	2	All	...
018096	... Ring, retaining front hub bearing oil-seals	2	All	...
021279	... Nut, lock, for front hub bearing adjusting ring	1	All	...
021161	... Ring, adjusting, for front hub bearing	1	All	...
021931	... Nut, locating front brake cover plate	1	All	...
018071	... Nut, outside, securing front brake cover plate	1	All	...
000001	... Nut, front wheel spindle, left side	1	All	...
000008	... Washer, plain, front wheel spindle, left side	1	All	...

PART NUMBER	DESCRIPTION	QTY.	USED ON	PRICE EACH £ s. d.
-------------	-------------	------	---------	-----------------------

REAR WHEEL

THE COMPLETE WHEELS LISTED BELOW COMPRISE:—

Rim, spokes, nipples, hub, grease nipple and all bearings assembled, but Does **NOT** include the centre solid spindle, washers, spacers, nuts, brake parts, sprocket and brake drum, speedometer drive and tyre.

024383	... Wheel, rear, complete, chrome, with all fittings.....	1	16MS, 18S, 20, 30	...
023663	... Wheel, rear, complete, blue centre, with all fittings ...	1	30	...
024384	... Wheel, rear, bare, chrome, less all fittings	1	16MS, 18S, 20, 30	...
023664	... Wheel, rear, bare, blue centre, less all fittings.....	1	30	...
024249	... Rim, rear, 19 in. by 2½ in. chrome	1	16MS, 18S, 20, 30	...
023648	... Rim, rear, 19 in. by 2½ in. blue centre	1	30	...
021691	... Spoke, rear wheel	40	16MS, 18S, 20, 30	...
021693	... Nipple, rear wheel spoke	40	16MS, 18S, 20, 30	...
023067	... Hub, rear wheel, shell only	1	16MS, 18S, 20, 30	...
021582	... Disc, for right hand side of hub	1	All	...
000051	... Nipple, grease, for rear hub.....	1	All	...
011090	... Tape, for 19 in. rear rim	1	All	...

REAR WHEEL BEARINGS

014868	... Bearings, roller, for rear hub (only sold as a complete bearing)	2	All	...
014387	... Oil seal, for rear hub bearings.....	2	All	...
010740	... Ring, spring, locating rear hub bearings.....	1	All	...
021585	... Ring, retaining rear hub bearing oil seals, small	1	All	...
018095	... Ring, retaining rear hub bearing oil seals, large	1	All	...
018094	... Cup, for rear hub bearing oil seal	1	All	...
012436	... Collar, spacing, between bearing and rear hub bearing oil seal	1	All	...
021586	... Spacer, 2 $\frac{3}{16}$ in. long between the two bearings rear hub	1	All	...
021583	... Ring, adjusting, for rear hub bearings	1	All	...
021584	... Nut, lock, for rear hub bearing adjusting ring	1	All	...
021587	... Spindle, centre, solid, for rear wheel	1	All except C/S	...
021608	... Spacer, on spindle, for oil seals	2	All	...
021594	... Spacer, on rear wheel solid spindle, for speedometer gearbox (carries nut).....	1	All	...
021593	... Nut, locking speedometer gearbox.....	1	All	...
021591	... Spacer, rear wheel solid spindle (abuts against fork end), speedometer side.....	1	All	...
014869	... Nut, for rear wheel solid spindle	1	All	...
021590	... Washer, for rear wheel solid spindle	1	All	...

FRONT BRAKE

021744	... Drum, front brake (must be fitted at works)	1	All	...
021766	... Screw, fixing front brake drum to hub shell.....	5	All	...
011846	... Locknut, for brake drum screw	5	All	...
022257	... Plate, cover, front brake	1	All	...
021474	... Stay, front brake cover plate anchor	1	All	...
014807	... Bolt, fixing anchor stay to front cover plate, $\frac{5}{8}$ in. by $\frac{3}{8}$ in. by 26	1	All	...
014119	... Washer, special, for anchor stay bolt	1	All	...
022261	... Pin, fulcrum, for brake shoes	1	All	...
021563	... Screw, front brake shoe pin	1	All	...
000009	... Washer, plain (inner for pin)	1	All	...

WHEN IN DOUBT REGARDING THE NAMES AND PART NUMBERS OF THE PARTS YOU REQUIRE, PLEASE SEND THE OLD PARTS TO SERVE AS PATTERNS.

PART NUMBER	DESCRIPTION	QTY.	USED ON	PRICE EACH £ s. d.
-------------	-------------	------	---------	-----------------------

FRONT BRAKE—continued

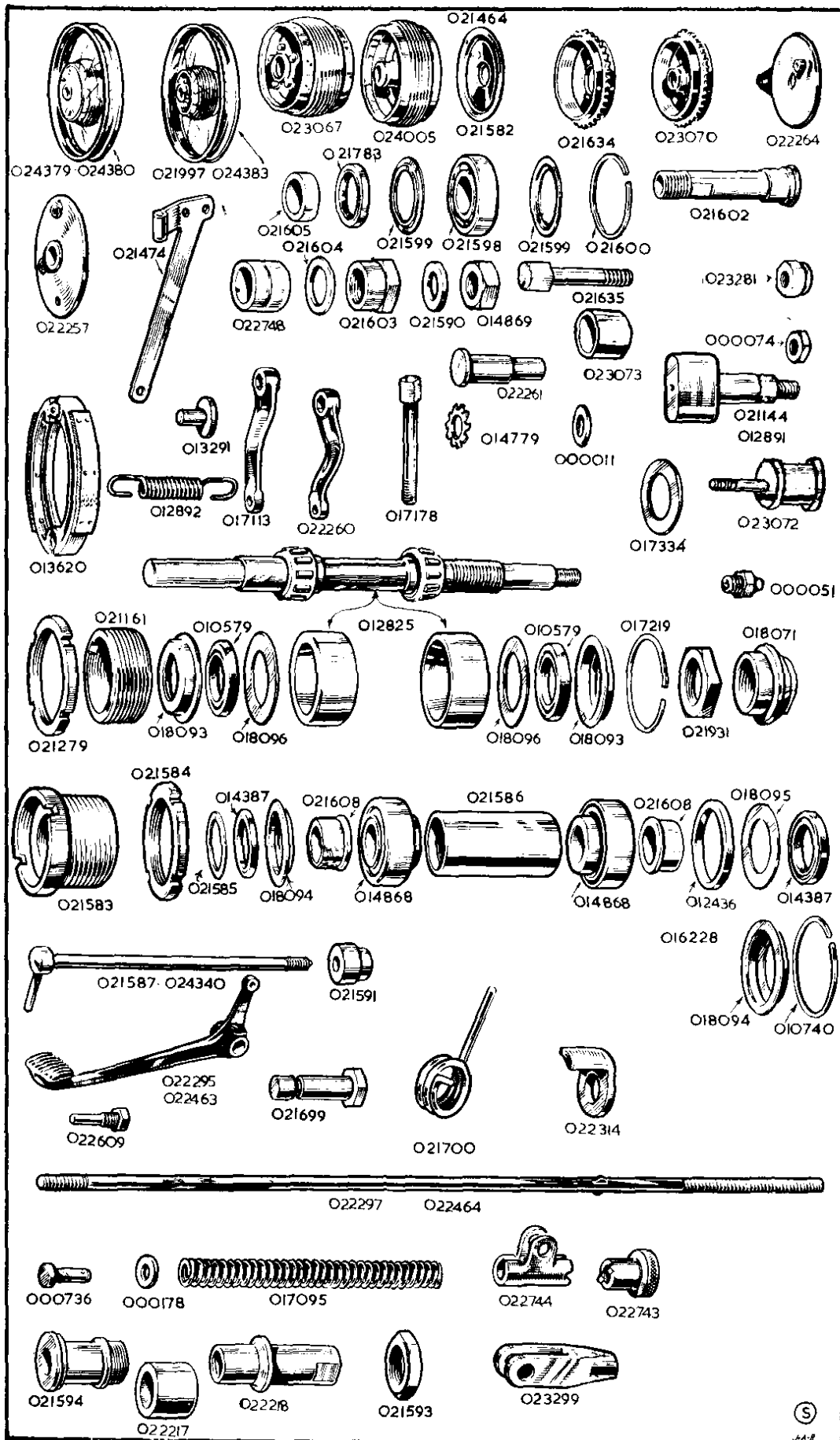
013620	Shoes, pair of, for front brake, with brake linings and thrust pins (only supplied in pairs)	1	All	...
013291	Pin, thrust, brake expander adjusting	2	All	...
000174	Washer, plain, for thrust pin	R	All	...
022832	Linings, brake, per pair of, less rivets	1	All	...
000113	Rivets, for brake linings	14	All	...
012892	Spring, for brake shoes	2	All	...
021144	Expander, for brake shoes	1	All	...
017334	Washer, packing for expander bush	1	All	...
022260	Lever, for front brake shoe expander	1	All	...
000051	Nipple, grease, for brake shoe expander	1	All	...
000174	Washer, plain, for brake shoe expander	1	All	...
000004	Nut, for brake shoe expander	1	All	...

REAR BRAKE

023070	Sprocket, and brake drum, for rear wheel, 42 teeth	1	16MS, 18S, 20, 30	...
023072	Pin, driving, in hub	5	16MS, 18S, 20, 30	...
023073	Bush, rear hub driving pin	5	16MS, 18S, 20, 30	...
023281	Nut, rear hub driving pin	5	16MS, 18S, 20, 30	...
022264	Plate, cover, rear, brake	1	All	...
022748	Spacer, for cover plate, outer	1	All	...
021605	Spacer, for cover plate, inner	1	16MS, 18S, 20, 30	...
021598	Bearing, ball, for brake drum	1	16MS, 18S, 20, 30	...
021599	Washer, for brake drum bearing	2	16MS, 18S, 20, 30	...
021600	Circlip, for brake drum bearing	1	16MS, 18S, 20, 30	...
021783	Oil seal, for brake drum bearing	1	16MS, 18S, 20, 30	...
021602	Spindle, dummy, for bearing	1	16MS, 18S, 20, 30	...
021603	Nut, for dummy spindle	1	16MS, 18S, 20, 30	...
021604	Washer, for dummy spindle	1	16MS, 18S, 20, 30	...
013620	Shoes, pair of, for rear brake, with linings and thrust pins (only supplied in pairs)	1	All	...
013291	Pin, thrust, brake expander adjusting	2	All	...
000174	Washer, plain, for thrust pin	R	All	...
022832	Linings, brake, less rivets	1	All	...
000113	Rivets, for brake lining	14	All	...
012892	Spring, for brake shoes	2	All	...
012891	Expander, for brake shoes	1	All	...
017113	Lever, for rear brake shoe expander	1	All Singles	...
021473	Lever, for rear brake shoe expander	1	20, 30	...
000174	Washer, plain, for brake shoe expander	1	All	...
000004	Nut, for brake shoe expander	1	All	...
000051	Nipple, grease, for brake shoe expander	1	All	...

REAR BRAKE OPERATING PARTS

022295	Pedal, foot, for rear brake	1	16MS, 18S, 20, 30	...
022609	Bolt, foot, pedal	1	All	...
021699	Fulcrum, rear, brake pedal	1	All	...
000051	Nipple, grease, for rear brake foot pedal	1	All	...
021700	Spring, return, rear brake pedal	1	All	...
022314	Stop, for rear brake pedal	1	All	...
022297	Rod, rear brake, bare	1	16MS, 18S, 20, 30	...
023299	End, yoke, for rear end of brake rod	1	All	...
000736	Pin, for brake rod yoke end	1	All	...



PART NUMBER	DESCRIPTION	QTY.	USED ON	PRICE EACH £ s. d.
-------------	-------------	------	---------	-----------------------

REAR BRAKE OPERATING PARTS—*continued*

000014	... Pin, split, for brake rod yoke end pin	1	All	...
017095	... Spring, for brake rod	1	All	...
022744	... Clip, adjusting, for front end of brake rod	1	All	...
000736	... Pin, for brake rod adjusting clip	1	All	...
000014	... Pin, split, for brake rod adjusting cup pin	1	All	...
022743	... Nut, adjusting, for rear brake rod	1	All	...
000178	... Washer, brake top spring	1	All	...

ELECTRICAL SECTION

PART NUMBER	DESCRIPTION	QTY.	USED ON	PRICE EACH £ s. d.
-------------	-------------	------	---------	-----------------------

HEAD LAMP

024394	... Lamp, head, with bulb, ammeter, and switch, less cable harness (home), Lucas 68135A... ..	1	16MS, 18S	...
024395	... Lamp, head, with bulb, ammeter and switch, less cable harness (export, not Europe), Lucas 58136A.....	1	16MS, 18S	...
024396	... Lamp, head, with bulb, ammeter and switch, less cable harness (Europe, except France), Lucas 58137A	1	16MS, 18S	...
024397	... Lamp, head, less bulb, with ammeter and switch, less cable harness (France), Lucas 58138A.....	1	16MS, 18S	...
024398	... Lamp, head, with bulb, ammeter and switch, less cable harness (home), Lucas 58151A.....	1	20, 30	...
024399	... Lamp, head, with bulb ammeter and switch, less cable harness (export, not Europe), Lucas 58152A.....	1	20, 30	...
024400	... Lamp, head, with bulb, ammeter and switch, less cable harness (Europe, except France), Lucas 58153A	1	20, 30	...
024401	... Lamp, head, less bulb, with ammeter and switch, less cable harness (France), Lucas 58154A.....	1	20, 30	...
516972	... Shell only, top half, for headlamp	1	16MS, 18S	...
516951	... Shell only, top half, for headlamp	1	20, 30	...
516973	... Shell only, bottom half, for headlamp.....	1	16MS, 18S, 20, 30	...
553248	... Rim only, for headlamp.....	1	16MS, 18S, 20, 30	...
144921	... Screw, fixing headlamp rim	1	16MS, 18S, 20, 30	...
555309	... Light unit, reflector and glass (home)	1	16MS, 18S, 20, 30	...
516798	... Light unit, reflector and glass (export, not France).....	1	16MS, 18S, 20, 30	...
555275	... Light unit, reflector and glass (Europe, not France) ...	1	16MS, 18S, 20, 30	...
516802	... Light unit, reflector and glass (France)	1	16MS, 18S, 20, 30	...
554602	... Bulb holder (all except France)	1	16MS, 18S, 20, 30	...
552943	... Back shell, with bulb holder (France).....	1	16MS, 18S, 20, 30	...
112201	... Bolt, fixing lamp to fork covers	2	All	...
134499	... Washer, headlamp fixing bolt	2	All	...

REAR LAMP

022126	... Lamp, rear, complete (Lucas L564).....	1	16MS, 18S, 20, 30	...
573839	... Window cover, red, for rear lamp	1	16MS, 18S, 20, 30	...
575200	... Window cover, white, for rear lamp	1	16MS, 18S, 20, 30	...
575208	... Gasket, rubber, for window cover	1	16MS, 18S, 20, 30	...

PART NUMBER	DESCRIPTION	QTY.	USED ON	PRICE EACH £ s. d.
-------------	-------------	------	---------	-----------------------

REAR LAMP—continued

552928	Screw, retaining window cover	2	16MS, 18S, 20, 30	...
575207	Grommet, rubber, for bulb holder	1	16MS, 18S, 20, 30	...
575209	Bulb holder	1	16MS, 18S, 20, 30	...
860428	Wires, rear lamp, with Paxolin washer	1	16MS, 18S, 20, 30	...
573825	Cap, rubber, covering cable entry	1	16MS, 18S, 20, 30	...
166014	Nut, retaining lamp body to number plate	2	16MS, 18S, 20, 30	...
188330	Washer, lamp body retaining nut	2	16MS, 18S, 20, 30	...

VOLTAGE REGULATOR

024187	Regulator, complete unit, Type 37252	1	20, 30	...
011094	Grommet, for A.V.C. cable	1	20, 30	...
024204	Rubber shrouding	1	20, 30	...
022720	Rubber, tool box lid	1	20, 30	...
024205	Rubber, base support	1	20, 30	...

BATTERY

022345	Battery, with lid (charged by dry), Lucas No. PUZE/9)	1	All	...
4159075	Lid, only, but with rubber pads	1	All	...

HORN

022529	Horn, electric, with bracket	1	16MS, 18S, 20, 30	...
012565	Bolt, for horn	2	16MS, 18S, 20, 30	...
000080	Nut, for horn bolt	2	16MS, 18S, 20, 30	...
000039	Washer, for horn bolt	4	16MS, 18S, 20, 30	...

STOP LIGHT (Optional extra)

024437	Complete kit, stop light parts	1	16MS, 18S	...
022002	Complete kit, stop light parts	1	20, 30	...
018721	Pull off spring for switch	1	All	...
022032	Bracket, for switch	1	All	...
018764	Clip for pull off spring	1	All	...
000738	Screw, securing switch and pull off spring	3	All	...
000739	Nut for switch and pull off spring screw	3	All	...
000039	Washer, for switch screw	2	All	...
018220	Extra rubber cable clip	1	All	...
011908	Extra rubber cable clip	2	All	...
014453	Metal cable clip	1	All	...
024376	Cable (switch to lamp and battery), pair complete	1	16MS, 18S	...
022836	Cable (switch to lamp and battery), pair complete	1	All except 16MS, 18S	...
900269	Snap connector (sleeve, sleeve rubber and two nipples)	1	All	...
022031	Switch, for stoplight	1	All	...

ALTERNATOR, ETC.

47122A	Stator, generator	1	16MS, 18S	...
024150	Stud in chaincase, for generator stator	3	16MS, 18S	...
011843	Nut, for generator stator stud	3	16MS, 18S	...
000012	Washer, for generator stator stud	3	16MS, 18S	...
041065	Grommet, rubber, for stator cable	1	16MS, 18S	...
423506	Rotor, generator	1	16MS, 18S	...
024026	Spacer, for rotor	1	16MS, 18S	...
042195	Key, woodruff, generator rotor	1	16MS, 18S	...
000230	Nut, generator rotor	2	16MS, 18S	...
000176	Washer, generator rotor nut	1	16MS, 18S	...

PART NUMBER	DESCRIPTION	QTY.	USED ON	PRICE EACH £ s. d.
-------------	-------------	------	---------	-----------------------

ALTERNATOR, ETC. — continued

024183	Contact breaker, complete (Lucas 47578)	1	16MS	...
024273	Contact breaker, complete (Lucas 47579)	1	18S	...
465958	Plate, contact breaker	1	16MS, 18S	...
420196	Points, contact breaker	set	16MS, 18S	...
420302	Condenser, contact breaker plate	1	16MS, 18S	...
000451	Screw, fixing contact breaker plate to timing case	2	16MS, 18S	...
000039	Washer, contact, plate fixing screw	2	16MS, 18S	...
415729	Weight, assembly	1	16MS, 18S	...
424201	Spring set, auto advance	set	16MS	...
416136	Spring set, auto advance	set	18S	...
465939	Cam, contact breaker	1	16MS, 18S	...
024310	Bolt, for contact breaker cam	1	16MS, 18S	...
024326	Washer, contact breaker cam bolt	1	16MS, 18S	...
024327	Washer, shakeproof, contact breaker cam bolt	1	16MS, 18S	...
024159	Grommet, rubber, contact breaker cable	1	16MS, 18S	...
024251	Rectifier, with bolt and nut (Lucas 47111)	1	16MS, 18S	...
000214	Nut, fixing rectifier	1	16MS, 18S	...
014779	Washer, shakeproof rectifier fixing nut	1	16MS, 18S	...
024210	Coil assembly (Lucas 45077)	1	16MS, 18S	...
024212	Strap, assembly for coil	1	16MS, 18S	...
024213	Screw, for coil strap	2	16MS, 18S	...
024214	Seat "D", for coil strap	4	16MS, 18S	...
024215	Nut, square, for coil strap screw	2	16MS, 18S	...
024404	Screw, rectifier lead	3	16MS, 18S	...
024405	Nut, rectifier lead screw	3	16MS, 18S	...
024406	Washer, rectifier lead screw	3	16MS, 18S	...

SPEEDOMETERS

022006	Speedometer, trip, complete, 120 m.p.h.	1	16MS, 18S, 20, 30	...
022010	Speedometer, trip, complete, 180 k.p.h.	1	16MS, 18S, 20, 30	...
021793	Head only, speedometer, 120 m.p.h.	1	16MS, 18S, 20, 30	...
021795	Head only, speedometer, 180 k.p.h.	1	16MS, 18S, 20, 30	...
53279-1	Set of bulb holding parts for speedometer head	1	All	...
53205	Bulb, only 6 volt, 1.8 watt m.c.b., for head	1	All	P.T. 4d.
N-1253	Nut, fixing speedometer head to bracket	2	All	...
W-7216	Washer, speedometer head fixing nut	2	All	...
022057	Bracket, retaining speedometer head in headlamp	1	16MS, 18S, 20, 30	...
53395-1-65	Cable, speedometer drive, complete	1	All	...
52108-1-65	Cable, speedometer drive, inner only	1	All	...
53398-1-65	Cable, speedometer drive, outer only	1	All	...
024448	Gearbox, for speedometer, complete	1	All	...
021798	Grommet, rubber, for speedometer head in headlamp	1	16MS, 18S, 20, 30	...
021454	Washer, outside speedometer gearbox	1	All	...
021799	Grommet, rubber, for speedometer cable in fork crown	1	All	...

CABLE CLIPS

011907	Clip, rubber, $1\frac{1}{16}$ in.	7	All Singles	...
011907	Clip, rubber, $1\frac{1}{16}$ in.	4	20, 30	...
011908	Clip, rubber, $3\frac{1}{8}$ in.	2	All	...
018220	Clip, rubber, $4\frac{3}{4}$ in.	5	All Singles	...
018220	Clip, rubber, $4\frac{3}{4}$ in.	6	20, 30	...
014453	Clip, metal, holding rear lamp cable inside mudguard	1	16MS, 18S, 20, 30	...

ELECTRICAL SUNDRIES

36084	Ammeter, for headlamp	1	All	...
31443	Switch, for lighting and ignition	1	16MS, 18S	...
31763	Switch, for lighting	1	20, 30	...
351567	Handle, with screw, for lighting switch	1	20, 30	...
318341	Key, for ignition switch	1	16MS, 18S	...

PART NUMBER	DESCRIPTION	QTY.	USED ON	PRICE EACH £ s. d.
ELECTRICAL SUNDRIES—continued				
022548	Switch, dipping, and horn button combined.....	1	16MS, 18S, 20, 30	...
380459	Packing, rubber, for dipping switch	1	16MS, 18S, 20, 30	...
021299	Screw, fixing switch to handlebar	2	16MS, 18S, 20, 30	...
865225	Harness cable, main lighting (no dipping or horn cable)	1	16MS, 18S	...
837351	Harness, cable main lighting (no dipping, horn or regulator cables).....	1	20, 30	...
858795	Harness, cable, for dipping switch, triple	1	All	...
359218	Cable for horn.....	1	All	...
860595	Harness, cable for regulator.....	1	All Twins	...
016681	Sheath, for horn cable	1	All	...
000543	Cable, high tension for sparking plug..... per ft.	R	All	...
000541	Terminal, for high tension cable	R	All	...
900269	Connector, snap, for rear lamp and regulator cable ...	R	All	...
011094	Bush, rubber, rear lamp cable	1	All	...
015547	Plug, sparking, FE80 K.L.G.	1	16MS, 18S	...
015547	Plug, sparking, FE80 K.L.G.	2	All Twins	...
021310	Cover, for dynamo terminals	1	All Twins	...
018895	Interference suppressor.....	R	All	...
312	Bulb, headlamp, main, 6 volt, 30 by 24 watt.....	1	16MS, 18S, 20, 30	...
			Purchase Tax	...
988	Bulb, headlamp, pilot, 6 volt, 3 watt	1	16MS, 18S, 20, 30	...
			Purchase Tax	...
384	Bulb, rear lamp, 6 volt, 18 by 6 watt, D.C.	1	All	...
			Purchase Tax	...

ACCESSORY SECTION

PART NUMBER	DESCRIPTION	QTY.	USED ON	PRICE EACH £ s. d.
TOOL KIT COMPLETE				
024385	Tool kit, with tyre inflator	1	16MS, 18S	...
024386	Tool kit, with tyre inflator	1	All Twins	...
024388	Tool kit, less tyre inflator.....	1	16MS, 18S	...
024389	Tool kit, less tyre inflator.....	1	All Twins	...
TOOLS				
017253	Bag, for tools	1	All	...
021625	Screwdriver.....	1	All	...
017248	Pliers, side cutting	1	All	...
011188	Pliers, for gudgeon pin circlips.....	1	All	...
017246	Gun, grease	1	All	...
017114	Inflator, tyre	1	All	...
017052	Spanner, double end, $\frac{3}{16}$ in. by $\frac{1}{4}$ in.	2	All Singles	...
017052	Spanner, double end, $\frac{3}{16}$ in. by $\frac{1}{4}$ in.	1	All Twins	...
017053	Spanner, double end, $\frac{3}{16}$ in. by $\frac{3}{8}$ in.	1	All	...
017007	Lever, tyre	2	All	...
018178	Spanner, double end, 1.010 in. by 1.2 in.	1	All	...
017257	Spanner, double end, $\frac{3}{16}$ in. by .375 in.	1	All	...
023284	Spanner, for frame stay unit.....	1	All	...
017252	Spanner, box, with tommy bar, for sparking plug	1	All	...
018055	Allen key, for handlebar clip screw.....	1	All	...
017249	Wrench, adjustable.....	1	All	...
018667	Allen key, for fork crown pinch bolt	1	All	...
015264	Spanner, rocker spindle lock nut.....	1	All Twins	...
015213	Spanner, box, $\frac{5}{16}$ in.	1	All Twins	...
017254	Spanner, dynamo and clutch.....	1	All	...
000174	Washer, brake shoe pad adjustment	8	All	...
015023	Spanner and gauge, for magneto	1	All Twins	...
024365	Gauge, feeler, for contact set	1	16MS, 18S	...

PART NUMBER	DESCRIPTION	QTY	USED ON	PRICE EACH £ s. d.
-------------	-------------	-----	---------	-----------------------

SPECIAL TOOLS

017482	Holder, valve, for grinding	1	All Singles	...
011381	Holder, valve, for grinding	1	All Twins	...
018276	Compressor, for valve spring removal	1	All Singles	...
022011	Disc timing (see Instruction Book)	1	All	...
015273	Extractor, for timing pinion and magneto gear	1	All Twins	...
015374	Extractor, for camshaft gears	1	All Twins	...
024328	Extractor, bolt for contact breaker	1	16MS, 18S	...

The above tools are NOT included in the equipment of a new motorcycle of a "complete" tool kit.

VARIOUS EQUIPMENT

018691	Bar locking, for fork crown	1	All	...
023271	Crash bar, kit complete	1	16MS, 18S, 20, 30	...
023226	Bar, only	1	16MS, 18S, 20, 30	...
023232	Bolt, top for crash bar	1	16MS, 18S, 20, 30	...
023231	Distance piece, crash bar	1	16MS, 18S, 20, 30	...
023238	Bracket, bottom assembled, for crash bar	1	16MS, 18S, 20, 30	...
023348	Stud, bottom (frame uniting), for crash bar	1	16MS, 18S, 20, 30	...
000009	Washer, plain, top fixing bolt	2	16MS, 18S, 20, 30	...
000002	Nut, top fixing bolt	1	16MS, 18S, 20, 30	...
023466	Panniers, complete set, frames, bags and fittings	1	16MS, 18S, 20, 30	...
	plus P.T.			...
022824	Bag, pannier, only, left or right	2	16MS, 18S, 20, 30	...
	plus P.T.			...
023289	Frame, only, for pannier bag, left	1	16MS, 18S, 20, 30	...
023290	Frame, only, for pannier bag, right	1	16MS, 18S, 20, 30	...
022827	Bolt, fixing frames, at bottom	2	16MS, 18S, 20, 30	...
000347	Bolt, fixing frames, at top	2	16MS, 18S, 20, 30	...
000073	Nut, bottom fixing bolt	2	16MS, 18S, 20, 30	...
018160	Nut, top fixing bolt	2	16MS, 18S, 20, 30	...
000012	Washer, top fixing bolt	2	16MS, 18S, 20, 30	...
011957	"Tekall", rust preventative, $\frac{1}{2}$ pint	R	All	...
011958	"Tekall", rust preventative, 1 pint	R	All	...
B.A.H.	Badge, monogram, A·J·S, for button hole	R	All	...
B.A.B.	Badge, monogram, A·J·S, for brooch	R	All	...
	Instruction manual	R	All	...

TANK PANELS (Optional equipment for 16MS-18S)

024403	Panel set, comprising following parts	1	16MS, 18S	...
024315	Panel, left (gold)	1	16MS, 18S	...
024316	Panel, right (gold)	1	16MS, 18S	...
023361	Bead, for tank panel (blue)	2	16MS, 18S	...
023371	Screw, for tank motif	4	16MS, 18S	...
000070	Bolt, for knee-grip plates	4	16MS, 18S	...
000172	Washer, large, for knee-grip plates	4	16MS, 18S	...
000178	Spacer, thin, for knee-grip plates	2	16MS, 18S	...
000639	Spacer, thick, for knee-grip plates	2	16MS, 18S	...

PART NUMBER	DESCRIPTION	QTY.	USED ON	PRICE EACH £ s. d.
-------------	-------------	------	---------	-----------------------

GASKET SETS

023291	... Set of decarbonising gaskets (1)	1	16MS, 18S	...
023170	... Set of decarbonising gaskets (2)	1	All Twins	...
024426	... Set of overhaul gaskets (3)	1	16MS, 18S	...
024429	... Set of overhaul gaskets (4)	1	All Twins	...

These sets contain the following:—

- | | |
|---|--|
| <p>(1) 1—Rocker box gasket.
1—Head gasket.
1—Base washer.
2—Rubbers, for top of push rod cover tubes.
2—Rubbers, for bottom of push rod cover tubes.
1—Rubber fillet, rocker side cover.
1—Gasket, carburetter spacer.
3—Washers, fibre, side cover nuts.</p> | <p>(2) 2—Gasket, for cylinder head.
2—Base washers.
4—Rocker cover gaskets.
2—Gaskets, carburetter manifold.</p> |
| <p>(3) All above and including the following:—
1—Washer, timing gear cover.
2—Washers, pump end cap.
1—Carburetter flange ring.
3—Fibre washers, oil plug screw.
1—Washer, oil tank cap.
1—Washer, oil tank drain plug.
1—Washer, oil feed pipe union.
1—Gasket, chaincase centre stud.
1—Gasket, chaincase halves.
1—Gasket, chaincase to crankcase.
2—Gasket, chaincase inspection cap.
1—Washer, chaincase drain plug.</p> | <p>(4) All above and including the following:—
2—Washers, paper (oval), for pump plate.
1—Washer, paper (round), for pump plate.
2—Washer, paper, oil pump bodies.
2—Washer, banjo pin adaptor.
1—Washer, paper, oil filter chamber.
1—Washer, sealing dynamo-joint.
1—Washer, sealing magneto-joint.
1—Carburetter flange ring.
1—Gasket, chaincase centre stud.
1—Gasket, chaincase-joint.
1—Gasket, chaincase to crankcase.
2—Gasket, chaincase inspection cap.
1—Washer, oil tank cap.
1—Washer, crankcase drain plug.
1—Washer, oil tank drain plug.
4—Washer, oil feed banjo pins.</p> |

BY USING GENUINE SPARES YOU ARE ASSURED THEY
WILL FIT ACCURATELY AND GIVE SATISFACTORY SERVICE