

# SPARES LIST

FOR

**1959**

## MATCHLESS

### Model G2

### 250 CC.



Compiled and Issued by the Manufacturers:

## MATCHLESS MOTOR CYCLES

(Proprietors: ASSOCIATED MOTOR CYCLES LIMITED)

Registered Offices:

PLUMSTEAD ROAD, PLUMSTEAD  
LONDON, S.E.18 : ENGLAND

**Nearest Station:**

WOOLWICH ARSENAL  
(Southern Region Railway)

**Postboxes:**

BURAGE GROVE and MAXEY ROAD  
PLUMSTEAD, S.E.18

Telegrams and Cables: "MATCHLESS, TELEF-LONDON" No. 22677

Telephone: WOOLWICH 7222 (2 lines)

Cables: A.B.C. 215 and 4th E60001; Radiotelex and Priority Codes

All correspondence to—

MATCHLESS MOTOR CYCLES, PLUMSTEAD ROAD, LONDON, S.E.18

**Price: THREE SHILLINGS AND SIXPENCE**

## (1) TERMS OF BUSINESS

**Our terms are:—CASH WITH ORDER,  
CASH AGAINST PRO-FORMA INVOICE, OR  
APPROVED LEDGER ACCOUNT.**

Customers who wish to avoid delay can open deposit accounts and the usual deposit is £5.

Orders from abroad should be accompanied by a remittance to cover the costs of goods and postal charges.

We do not send goods by "CASH ON DELIVERY" (C.O.D.).

## (2) PRICES AND SPECIFICATIONS

All prices, specifications and conditions are subject to alteration without notice. The prices of spares do not include the costs of packing and carriage.

## (3) CARRIAGE AND PACKING

All invoices or spare parts will be SURCHARGED by 5 PER CENT. to cover the cost of packing and postage, or carriage, and the minimum surcharge is one shilling. (Home orders only.)

A special packing case, or crate, is required for some spares to ensure freedom from damage in transit. In such circumstances a special charge for the value of the case, or crate, will be made in addition to the 5 per cent. surcharge but the special charge will be credited in full if the container is promptly returned to our factory carriage paid and in good condition.

## (4) HOW TO ORDER SPARES

STATE:—(a) The Model of the machine.  
(b) The complete engine number. (See paragraph 5.)  
(c) The frame number. (See paragraph 5.)  
(d) The part of the spares required.  
(e) A description of each spare.  
(f) The quantity required of each item.  
(g) How the spares are to be sent. (Post, Parcels Post, Passenger train or Goods train.)  
(h) Your full name and address. These particulars are best written in BLOCK LETTERS.  
(i) Mention if, or not, you have an account with us.

ALSO:— Unless you have a deposit or ordinary account, enclose a remittance to cover the cost of the spares plus the 5 per cent. surcharge. (See paragraph 3.)

When cash is sent any excess will be refunded without prior application.

NOTE:— When sending orders by telegram or cable do not omit your name and address from the message.

## (5) IDENTITY

To ensure the supply of correct spares it is essential we can identify the machine for which they are required. The ONLY WAY to do that is for us to know the COMPLETE ENGINE and frame numbers.

The engine number is stamped on the right side crankcase, behind the cylinder, and may have one or more letters incorporated in it. THE COMPLETE NUMBER MUST BE QUOTED.

The frame number is stamped on the right-hand side of the frame head lug.

## (6) SERVICE

The **SERVICE AND REPAIR DEPARTMENT** is situated in **BURRAGE GROVE, PLUMSTEAD, LONDON, S.E.18**, and is open on Mondays to Fridays from 8.30 a.m. to 12.55 p.m.—2 p.m. to 5.30 p.m. It is closed on Saturdays, Sundays and National Holidays.

It exists for the purpose of:—

- (a) Giving technical assistance verbally or through the Post.
- (b) Supplying spare parts over the counter or through the Post.
- (c) Repairing and re-conditioning machines, or parts of machines, of our make.

If it is considered necessary to bring a machine, or parts, to the factory for an urgent repair IT IS ESSENTIAL you make an appointment beforehand to avoid disappointment. This can be done by letter or telephone.

**(7) REPAIRS**

The instructions regarding repairs should be clear and definite, otherwise the cost may be greater than that expected. We shall be pleased to give estimates for repairs if parts are sent to us for that purpose. If the estimate is accepted, no charge is made for the preliminary examination, but, should it be decided not to have the work carried out, it may be necessary to make a charge to cover the cost of whatever dismantling and re-assembly may have been done to prepare the estimate.

**(8) REPAIRS TO PROPRIETARY FITTINGS**

We do not repair carburetters, chains, electrical equipment, saddles, sparking plugs, speedometers and tyres. On page 42 of the "**MAINTENANCE MANUAL AND INSTRUCTIONS BOOK**" will be found the names and addresses of the manufacturers of the proprietary equipment we fit, all of whom service and repair equipment they make.

**(9) PATTERNS**

Parts sent to us as patterns, or for repair, should have attached to them a label bearing the sender's full name and address. The instructions regarding such parts should be sent under separate cover.

**(10) GUARANTEE**

All parts made by us, and sold as spares, are subject to the same Limited Guarantee as that issued with each new motor cycle and that guarantee is printed in full on Page 48 of the "**MAINTENANCE MANUAL AND INSTRUCTION BOOK**".

**(11) INSTRUCTION BOOK**

A "**MAINTENANCE MANUAL AND INSTRUCTION BOOK**" has been compiled and published by us.

One copy is supplied free, upon application, with each new motor cycle. Replacement copies three shillings each.

**(12) CORRESPONDENCE**

Our routine is organised into different departments. Therefore delay cannot be avoided if matters relating to more than one department are contained in one letter.

Consequently when communicating with more than one department it is desirable to do so on SEPARATE SHEETS. Each sheet should bear the sender's name and address. **IN PARTICULAR**, requests for TECHNICAL ADVICE should not be on the same sheets as ORDERS FOR SPARE PARTS.

MATCHLESS MOTOR CYCLES,  
PLUMSTEAD, LONDON, S.E.18.

THE PRICES OF SPARES DO NOT  
INCLUDE THE COST OF CARRIAGE

**NOTE**

The numbers, in brackets, that appear in the "Description" columns relate to the numbered foot notes regarding items so specially indicated.

The quantity per machine of each item are entered in the "Qty." columns. "R" indicates as may be required.

The illustrations are not to scale and are not necessarily accurate in detail.

Some items are not illustrated.

## ENGINE SECTION

PART NUMBER	DESCRIPTION	QTY.	PRICE EACH £ s. d.
<b>CYLINDER AND CYLINDER HEAD</b>			
042029	Barrel, cylinder ... ..	1	4 4 0
042095	Washer, paper, cylinder base ... ..	1	1
042580	Head, cylinder, with valve guides ... ..	1	8 10 0
042080	Gasket, cylinder head ... ..	1	3 9
010643	Screw, needle, adjusting, inlet valve oil feed ... ..	1	11
011373	Nut, lock, needle adjusting screw ... ..	1	2
042155	Stud, cylinder $\frac{3}{8}$ in. by 20 by 26 T.P.I. ... ..	4	1 9
042156	Nut, sleeve, cylinder stud $\frac{3}{8}$ in. by 26 T.P.I. ... ..	4	1 9
042157	Washer, cylinder stud sleeve nut $\frac{1}{2}$ ins. ... ..	4	3
042196	Bolt, cylinder head $\frac{5}{16}$ ins. by 22 T.P.I. ... ..	1	1 3
000011	Washer, cylinder head bolt $\frac{5}{16}$ ins. ... ..	1	1
042232	Stud, carburetter $\frac{5}{16}$ ins. by 20 by 26 T.B.I. ... ..	2	5
000004	Nut, carburetter studs ... ..	2	4
000011	Washer, carburetter studs ... ..	2	1
<b>ENGINE VALVES</b>			
042032	Valve, inlet ... ..	1	12 3
042033	Valve, exhaust ... ..	1	17 6
042068	Guide, inlet valve ... ..	1	3 6
042069	Guide, exhaust valve ... ..	1	3 9
011111	Circlip, valve guides ... ..	2	1
024220	Spring, valve, narrow ... ..	2	12 8
024219	Spring, valve, wide ... ..	2	12 8
013990	Collar, valve springs ... ..	2	6 5
023355	Seat, valve springs ... ..	2	2 3
042150	Collet, valve stem ... ..	2	1 0
<b>PISTONS (Standard Size)</b>			
043201	Piston, complete, 7.8 to 1 ratio ... ..	1	2 6 8
042204	Piston, bare, 7.8 to 1 ratio ... ..	1	1 10 6
042222	Ring, compression, top, chrome ... ..	1	5 0
042223	Ring, compression, plain ... ..	1	1 9
042224	Ring, scraper ... ..	1	3 3
042034	Pin, gudgeon ... ..	1	5 6
014283	Circlip, gudgeon pin ... ..	2	4
<b>PISTONS (Oversize)</b>			
043204	Piston, complete, .020 ins. 7.8 to 1 ratio ... ..	1	2 6 8
043207	Piston, complete, .040 ins. 7.8 to 1 ratio ... ..	1	2 6 8
043210	Piston, bare, .020 ins. 7.8 to 1 ratio ... ..	1	1 10 6
043213	Piston, bare, .040 ins. 7.8 to 1 ratio ... ..	1	1 10 6
043212	Piston, bare, .020 ins. 11.0 to 1 ratio ... ..	1	1
043215	Piston, bare, .040 ins. 11.0 to 1 ratio ... ..	1	5 0
043216	Ring, compression, top, .020 ins. chrome ... ..	1	5 0
043217	Ring, compression, top, .040 ins. chrome ... ..	1	5 0
043218	Ring, compression, plain, .020 ins. ... ..	1	1 9
043219	Ring, compression, plain, .040 ins. ... ..	1	1 9
043220	Ring, scraper, .020 ins. ... ..	1	3 3
043221	Ring, scraper, .040 ins. ... ..	1	3 3

### RE-BORING

Cylinders may be re-bored to .020 ins. or to .040 ins. oversize and normal compression pistons (with rings) (one chrome plated) supplied to suit. £3 1s. 6d.

New gudgeon pins and circlips. 6s. 2d. extra.

Cylinders sent for re-boring should be packed in stout cases which will be used by us for their return. Carriage is additional. If a complete machine, or engine, is sent to us for cylinder re-boring, there will be an additional charge, according to the time taken, for dismantling and assembly.

PART NUMBER	DESCRIPTION	QTY.	PRICE EACH		
			£	s.	d.
<b>FLYWHEELS</b>					
042020	Flywheel, bare, timing side	1	1	10	0
042019	Flywheel, bare, driving side	1	1	10	0
042001	Rod, connecting, with gudgeon pin bush	2	4	5	
042238	Bush, for gudgeon pin	1	4	1	
042006	Crankpin, only	1	7	6	
042007	Cage, for crankpin rollers	1	0	0	
000075	Roller, crankpin	20		4	
000573	Key, crankpin	1		5	
042248	Nut, for crankpin	2		11	
042015	Axle, driving side flywheel	1	1	10	0
042173	Axle, timing side flywheel	1	1	12	0
041021	Key, driving side and timing side axles	2			6
<b>CRANKCASE</b>					
042013	Crankcase, complete (1)	1	15	10	0
042008	Crankcase, driving side only (2)	1	5	12	6
042579	Crankcase, timing side only (3)	1	9	17	5
042054	Cover, timing side crankcase, with motif	1	4	5	0
012560	Motif, for timing cover	1	6	5	
000577	Dowel, timing side crankcase	4		1	
042037	Screw, timing cover	4		3	
042182	Housing, assembled, for camshaft	1	1	8	9
042171	Gasket, camshaft housing	1		3	
042189	Bolt, camshaft housing, short	3		6	
042193	Bolt, camshaft housing, long	1		9	
000012	Washer, camshaft housing bolt	4		1	
042183	Seal, oil, camshaft housing	1	2	3	
042201	Filter, magnetic	1	6	9	
000182	Washer, magnetic filter	1		1	
NOTE 1—Comprises—042008 and 042579.					
NOTE 2—Crankcase half only (no cylinder studs).					
NOTE 3—Comprises—crankcase half, four dowels, mainshaft bush, camshaft bush, and cam follower spindle (no cylinder studs or timing cover).					
<b>CRANKCASE BEARINGS</b>					
042239	Bush, timing side axle	1	14	3	
012233	Peg, securing timing side axle bush	1		1	
042100	Bush, in crankcase, for camshaft	1	7	3	
042101	Bush, in camshaft housing	1	4	6	
012542	Bearing, ball, for driving side axle	2	18	0	
<b>TIMING GEAR</b>					
042090	Camshaft	1	1	12	6
042017	Gear, camshaft	1	1	2	6
042092	Key, woodruff, for camshaft gear	1		3	
042071	Follower, camshaft	2	1	0	0
042082	Spindle, camshaft followers	1	3	6	
042085	Spacer, centre, camshaft followers	1		6	
042088	Spacer, outer, camshaft followers	1		6	
042016	Pinion, timing, on flywheel axle	1	14	9	
041021	Key, for timing pinion	1		6	
000230	Nut, retaining timing pinion to axle	1		11	
<b>ENGINE PLATES AND CRANKCASE BOLTS</b>					
042036	Bolt, crankcase, long	1		9	
042035	Bolt, crankcase, short	6		9	
000011	Washer, crankcase bolt	7		1	
042283	Cradle, engine support	1	1	7	6
000275	Stud, engine cradle, front	1		10	
000278	Stud, engine cradle, centre	1		10	
000288	Stud, engine cradle, rear	1		10	
000004	Nut, engine cradle studs	6		4	
000011	Washer, engine cradle studs	6		1	

PART NUMBER	DESCRIPTION	QTY.	PRICE EACH		
			£	s.	d.
<b>ENGINE PLATES AND CRANKCASE BOLTS—(continued)</b>					
042514	Channel, support, engine (standard silencer) ... ..	1	2	2	0
042388	Plate, engine, rear left ... ..	1	4	3	
042474	Plate, engine, rear, assembled right ... ..	1	6	3	
000304	Stud, rear engine plate, front ... ..	1		10	
042391	Stud, rear engine plate, rear ... ..	2	1	0	
042392	Spacer, rear engine plate stud ... ..	1		3	
000003	Nut, rear engine plate stud ... ..	6		4	
000010	Washer, rear engine plate stud ... ..	6		1	
042404	Cowling, rear engine plate ... ..	1	16	6	
042528	Screw, engine plate cowling ... ..	2	1	3	
042472	Nut, (trapped) engine plate cowling ... ..	2		3	
000012	Washer, engine plate cowling screw ... ..	2		1	
<b>OIL PUMP</b>					
042104	Shaft, oil pump ... ..	1	17	3	
042044	Plug, feed, oil pump ... ..	1	1	3	
042046	Screw, locating, oil pump feed plug ... ..	1	1	6	
042151	Washer, fibre, for locating screw ... ..	1		3	
042177	"O" ring, oil pump feed plug ... ..	1		9	
042045	Plug, scavenge, oil pump ... ..	1	3	0	
042178	"O" ring, oil pump scavenge plug ... ..	1		9	
010138	Screw, cam, oil pump shaft ... ..	1	1	11	
010079	Pin, oil pump shaft cam screw ... ..	1	1	1	
<b>RELEASE VALVE</b>					
042219	Rotor, crankcase release ... ..	1	5	9	
042220	Stator, crankcase release ... ..	1	7	6	
042221	Tube, locating crankcase release ... ..	1	3	3	
000201	Washer, fibre crankcase release locating tube ... ..	1		4	
017602	Key, woodruff, crankcase release ... ..	1		5	
<b>OIL FELT FILTER (IN ENGINE)</b>					
042061	Filter, oil, felt ... ..	1	12	0	
042062	Seating, oil felt filter ... ..	1		3	
042063	Cap, oil felt filter ... ..	1	1	0	
042064	Spring, oil felt filter cap ... ..	1		3	
042058	Cap, assembled oil felt filter housing ... ..	1	4	9	
042065	Washer, copper, oil felt filter housing cap ... ..	1		6	
<b>PUSH RODS</b>					
042234	Rod, push, complete, assembled ... ..	2	11	9	
018168	Rod, push, bare ... ..	2	2	4	
018266	End, push rod, top ... ..	2	1	4	
042074	End, push rod, bottom ... ..	2	4	9	
000592	Adjuster, push rod ... ..	2	2	6	
000216	Nut, lock, push rod adjuster ... ..	2		10	
<b>ROCKER BOX AND OVERHEAD ROCKERS</b>					
043222	Rocker box, complete with all fittings (1) ... ..	1	6	18	11
042079	Rocker box, only, with bushes (2) ... ..	1	3	6	4
042078	Rocker box, bare ... ..	1	2	10	0
042163	Gasket, for rocker box ... ..	1		1	3
017103	Bush, for rocker box ... ..	4		3	8
042094	Cover, side, for rocker box ... ..	1	8	9	
018890	Plugs, metering ... ..	3		1	
042164	Fillet, rubber, rocker box side cover ... ..	1		5	
000251	Stud, fixing rocker box side cover ... ..	3		4	
000623	Nut, for rocker box side cover stud ... ..	3		11	
000205	Washer, fibre, rocker box side cover stud ... ..	3		1	
042081	Shaft, rocker ... ..	2	6	6	
042076	Sleeve, for rocker shaft ... ..	2	6	0	
042096	Ring, felt, for rocker shaft ... ..	2	1	0	
042043	Arm, rocker, tappet end ... ..	2	6	3	
042041	Arm, rocker, inlet valve end ... ..	1	9	0	

PART NUMBER	DESCRIPTION	QTY.	PRICE EACH	
			£	s. d.

### ROCKER BOX AND OVERHEAD ROCKERS—(continued)

042042	Arm, rocker, exhaust, valve end ... ..	1	9	3
000010	Washer, rocker axle ... ..	4		1
000003	Nut, Rocker axle ... ..	4		4

NOTE 1—Includes all parts listed in this paragraph (except gasket).

NOTE 2—This is a "bare" rocker box to which is fitted four 017103 bushes, two 042096 felt rings and three 018890 metering plugs.

### ROCKER BOX BOLTS

042102	Bolt, rocker box fixing, short ... ..	1		6
042103	Bolt, rocker box fixing, medium ... ..	4	1	0
015354	Bolt, rocker box fixing, long ... ..	2		10
015355	Bolt, rocker box fixing, with extension ... ..	2	2	3
000011	Washer, rocker box fixing bolt ... ..	9		1

### ROCKER BOX STAY

042251	Stay, rocker box ... ..	1	4	0
000004	Nut, fixing stay to rocker box bolt extension ... ..	2		4
000011	Washer, plain, rocker box bolt extension ... ..	2		1
000376	Bolt, (through frame) rocker box stay ... ..	1	1	0
000004	Nut, for 000376 bolt ... ..	1		4
000011	Washer, for 000376 bolt ... ..	2		1

### GASKETS

Engine gaskets are supplied as separate spares and in complete sets. Single gaskets are listed in the groups to which they belong. Gaskets in sets are listed in page 22.

### EXHAUST PIPE AND SILENCER

042543	Pipe, exhaust only ... ..	1	2	10	0
042541	Bracket, exhaust pipe mounting ... ..	1		1	0
000004	Nut, exhaust pipe mounting bracket ... ..	1			4
000011	Washer, exhaust pipe mounting bracket ... ..	1			1
042517	Silencer, only, (standard pattern) ... ..	1	3	7	6
000004	Nut, fixing silencer ... ..	1			4
000011	Washer, plain, silencer fixing ... ..	1			1
014117	Washer, shakeproof, silencer fixing ... ..	1			1
014200	Bolt, silencer support ... ..	1	2		6
000005	Nut, silencer support bolt ... ..	1			4
000011	Washer, plain, silencer support bolt ... ..	1			1
024558	Washer, shakeproof, silencer support bolt ... ..	2			1

### CARBURETTER

042197	Carburetter ... ..	1			
042187	Spacer, for carburetter ... ..	1	3		9
018503	"O" ring, for carburetter flange ... ..	1			6
041014	"O" ring, for carburetter spacer ... ..	1			2
000004	Nut, carburetter fixing stud ... ..	2			4
000011	Washer, carburetter fixing stud ... ..	2			1
042235	Extension, for venturi ... ..	1		5	6
376-003	Body, only, carburetter ... ..	1	1	10	0
376-077	Cover, side ... ..	1		2	9
376-078	Washer, joint side cover ... ..	1			4
376-079	Screw, side cover ... ..	3			2
376-094	Bush, for float spindle ... ..	1			4
376-089	Needle, float ... ..	1			8
376-088	Seating, float needle ... ..	1		2	9
376-065	Ring, securing mixing chamber cap ... ..	1	3		4
4-235	Spring, mixing chamber cap securing ring ... ..	1			11
4-241	Screw, mixing chamber cap securing ring clip ... ..	1			2
376-064	Cap, mixing chamber ... ..	1		3	4
4-035	Adjuster, control cable ... ..	2			8
376-062	Valve, air ... ..	1	4		11
6-047	Guide, air valve ... ..	1			5

PART NUMBER	DESCRIPTION	QTY.	PRICE EACH	
			£	s. d.
<b>CARBURETTER—continued</b>				
376-060	Valve, throttle, size 3½	1	7	8
4-046	Spring, air valve	1		4
376-061	Spring, throttle valve	1		7
376-083	Float, only	5	5	6
376-068	Screw, throttle stop	1		10
376-069	Spring, throttle stop screw	1		3
332-017	Screw, adjusting, pilot air	1		10
4-148	Spring, pilot air adjusting screw	1		3
376-063	Needle, taper jet	2	2	6
4-230	Clip, taper needle	1		7
376-072	Needle jet	3	3	0
376-100	Main jet, size 180	1	1	6
376-073	Holder, main jet	4	4	5
376-074	Washer, main jet holder	1		2
376-075	Cover, main jet	1	1	1
376-076	Jet, pilot	1	1	1
376-095	Nut, pilot jet cover	1		10
116-162	Washer, pilot jet cover nut	1		2
376-057	Jet block...	12	12	6
376-067	Washer, jet block	1		2
376-070	Peg, locating jet block	1		7
376-127	Banjo, petrol pipe	2	2	2
376-091	Bolt, petrol pipe banjo	1		7
376-092	Washer, petrol pipe banjo bolt	1		2
376-093	Gauze, filter...	1		9
343-011	Body, tickler	1	1	5
376-086	Plunger, tickler	1	1	1
376-087	Spring, tickler	1		2

#### ENGINE SPROCKETS

042209	Sprocket, engine, 21 teeth	1	16	6
042210	Sprocket, engine, 22 teeth	1	16	6

#### CHAINS

042184	Chain, front, 73 links $\frac{3}{8}$ ins. by .225 ins.	1	13	10
042194	Chain, rear, 125 links $\frac{1}{2}$ ins. by .305 ins....	2	7	9
110046-26	Link, connecting, for rear chain ...	R		9½
110038-26	Link, connecting, for front chain ...	R		6
110046-30	Link, cranked, double, for rear chain ...	R	1	4½
110038-30	Link, cranked, double, for front chain ...	R	1	1
110046-27	Clip, spring, for 110046 connecting link...	R		1½
110038-27	Clip, spring, for 110038 connecting link...	R		1

The prices of front and rear chains include spring connecting links and these are also included in the number of links per chain.

We do not sell odd lengths of chains.

#### GEAR BOX FIXING PARTS

042402	Strap, gear box	2	11	6
016103	Stud, gear box strap	1		10
000074	Nut, gear box strap stud	2		4
000011	Washer, gear box strap stud	2		1
042396	Bolt, gear box strap	2	1	3
042397	Crosshead, gear box strap bolt	1	3	6
042398	Trunnion, gear box strap	2	1	9
042393	Adjuster, gear box...	1	3	0

WHEN IN DOUBT REGARDING THE NAMES AND PART  
NUMBERS OF THE PARTS YOU REQUIRE, PLEASE SEND  
THE OLD PARTS TO SERVE AS PATTERNS



PART NUMBER	DESCRIPTION	QTY.	PRICE EACH £ s. d.
<b>GEAR BOX FIXING PARTS—(continued)</b>			
000003	Nut, gear box adjuster ... ..	2	4
042394	Bolt, top, gear box adjuster ... ..	1	4 0
042399	Spacer, gear box top bolt ... ..	2	9
000002	Nut, gear box top bolt ... ..	1	5
000009	Washer, gear box top bolt ... ..	2	2
<b>GEAR BOX SHELL</b>			
042132	Shell, gear box, only, bare ... ..	1	4 4 0
042135	Case, inner, only, bare ... ..	1	2 2 0
042139	Cover, outer, only, bare ... ..	1	2 15 0
042158	Gasket, for inner case ... ..	1	3
042159	Gasket, for outer cover ... ..	1	3
040138	Plug, drain, for gear box shell ... ..	1	8
000200	Washer, fibre, gear box shell drain plug ... ..	1	4
042137	Pin, dowel, for inner case ... ..	2	3
042153	Cover, inspection ... ..	1	5 6
042154	Gasket, for inspection cover ... ..	1	2
000451	Screw, for inspection cover ... ..	2	4
041468	Pin, stop, in inner case, for kickstart ... ..	1	1 9
041085	Screw, for outer cover ... ..	6	3
<b>SHAFTS AND GEARS</b>			
041263	Mainshaft, for gear box ... ..	1	1 18 0
041288	Layshaft, for gear box ... ..	1	1 6 3
041273	Gear, driving, main, with bushes... ..	1	2 10 8
041276	Gear, third mainshaft ... ..	1	1 7 0
041277	Gear, second mainshaft ... ..	1	18 6
041279	Gear, first mainshaft ... ..	1	8 6
041290	Gear, small layshaft ... ..	1	8 6
041277	Gear, third layshaft ... ..	1	18 6
041276	Gear, second layshaft ... ..	1	1 7 0
041291	Gear, first layshaft ... ..	1	1 8 4
041275	Bush, for main drive gear ... ..	2	1 0
<b>GEARBOX BEARINGS AND OIL-SEALS</b>			
041266	Bearing, roller, in shell, for maingear ... ..	1	1 15 3
012545	Bearing, ball, in inner case, for mainshaft ... ..	1	14 3
041265	Nut, mainshaft bearing ... ..	1	10
041267	Oil-seal, main gear bearing ... ..	1	3 0
040006	Oil-seal, "O" ring, for footchange spindle ... ..	1	1 2
040079	Oil-seal, "O" ring, for ratchet spindle ... ..	2	7
041289	Bush, for layshaft, in shell ... ..	1	5 9
041307	Bush, for footchange ratchet shaft, in shell ... ..	1	10
041298	Bush, for kickstart, in inner case ... ..	1	8 9
041299	Bush, for footchange ratchet shaft, in inner case ... ..	1	3 0
042145	Bush, for footchange, in outer cover ... ..	2	2 0
041102	Bush, for kickstart, in outer cover ... ..	1	7 0
041395	Cap, end, for layshaft ... ..	1	9
<b>GEARBOX SMALL SPROCKET</b>			
041269	Sprocket, gear box, final drive, 19 tooth ... ..	1	12 6
041272	Washer, lock, gear box sprocket nut ... ..	1	6
041271	Nut, gear box sprocket ... ..	1	1 9
041391	Spacer, gear box sprocket ... ..	1	4 0
<b>GEAR OPERATING PARTS</b>			
041341	Fork, selector, mainshaft ... ..	1	1 10 6
041343	Fork, selector, layshaft ... ..	1	1 10 6
041345	Shaft, for selector forks ... ..	1	4 6
040034	Plunger, cam segment ... ..	1	3 1
040045	Spring, cam segment plunger ... ..	1	3
041335	Bolt, cam segment plunger ... ..	1	1 7
041158	Plate, assembly, footchange stop ... ..	1	3 5
041400	Bolt, footchange stop plate ... ..	2	3

PART NUMBER	DESCRIPTION	QTY.	PRICE EACH		
			£	s.	d.
<b>GEAR OPERATING PARTS (continued)</b>					
014117	Washer, shakeproof, stop plate bolt ... ..	2			1
042147	Shaft, assembly, footchange ratchet ... ..	1	4	9	8
041332	Shaft, only, footchange, ratchet ... ..	1	1	11	6
042146	Spindle, only, footchange ratchet shaft ... ..	1		6	0
041334	Segment, only, footchange ratchet shaft ... ..	1	2	12	0
041393	Circlip, footchange ratchet shaft ... ..	1			2
041394	Cap, end, footchange ratchet shaft ... ..	1			6
041389	Washer, large, footchange ratchet shaft... ..	1			1
041390	Washer, small, footchange ratchet shaft ... ..	1			1
041340	Nut, footchange ratchet shaft ... ..	1			6
041283	Ratchet, footchange ... ..	1	13	7	
041326	Pawl, footchange ratchet ... ..	1	11	6	
042144	Carrier, footchange pawl ... ..	1	1	5	6
041322	Pin, footchange pawl carrier ... ..	1		1	5
041285	Circlip, footchange pawl carrier ... ..	1			2
041328	Spring, return, footchange pawl carrier ... ..	1			9
041640	Washer, footchange pawl carrier return spring ... ..	1			1
041327	Spring, footchange pawl carrier ... ..	1			6
041323	Washer, inner, footchange pawl carrier spring ... ..	1			1
041311	Lever, footchange ... ..	1	1	0	6
040086	Rubber, footchange lever ... ..	1		1	2
040105	Bolt, clamping footchange lever ... ..	1		1	2
000005	Nut, footchange lever clamping bolt ... ..	1			4
000012	Washer, footchange lever clamping bolt ... ..	1			1
041467	Cap, end, footchange lever ... ..	1		1	3
040051	Indicator, gear ... ..	1		1	9
040137	Bolt, gear indicator ... ..	1			7
000012	Washer, gear indicator bolt ... ..	1			1

#### KICK-STARTER

042130	Shaft, assembled, kickstart ... ..	1	1	11	0
041469	Bush, kickstart shaft ... ..	1		7	0
041300	Ratchet, kickstart ... ..	1	1	0	6
041358	Spring, kickstart ratchet ... ..	1			10
041301	Washer, thrust, kickstart shaft ... ..	1			9
040043	Spring, return kickstart ... ..	1		1	2
041177	Crank, assembled, with pedal pin, nut, and washers ... ..	2	2	1	2
041176	Crank, only, kickstart ... ..	1		6	8
040431	Pin, pedal, for kickstart ... ..	1		12	6
040432	Nut, domed, for pedal pin ... ..	1		1	
040433	Washer, spring steel, pedal pin nut ... ..	1			2
000010	Washer, plain, pedal pin nut ... ..	1			1
000367	Bolt, clamping kickstart to shaft ... ..	1			10
000004	Nut, kickstart clamping bolt ... ..	1			4
000011	Washer, kickstart clamping bolt ... ..	1			1

#### CLUTCH

043197	Sprocket and case, assembled ... ..	1	3	5	0
043199	Sprocket, only, clutch ... ..	1	2	7	9
043198	Case, for clutch plates, only ... ..	1		14	5
043200	Rivet, for clutch sprocket and case ... ..	6			1
043192	Plate, friction, bonded, (double sided) ... ..	2		8	9
043193	Plate, friction, bonded, outer (single sided) ... ..	1		5	9
043194	Plate, friction, bonded, inner (single sided) ... ..	1		11	6
043191	Plate, plain, steel ... ..	3		3	9
040365	Plate, clutch pressure ... ..	1		12	1
043195	Plate, clutch, back ... ..	1		7	9

BEFORE ORDERING SPARES  
PLEASE NOTE THE INFORMATION GIVEN ON PAGES  
ONE AND TWO

PART NUMBER	DESCRIPTION	QTY.	PRICE EACH		
			£	s.	d.
<b>CLUTCH—(continued)</b>					
040360	Adjuster, clutch pressure plate ... ..	1			8
040376	Nut, lock, clutch pressure plate adjuster ... ..	1			8
043189	Stud, for clutch spring ... ..	3	1		2
040356	Nut, lock, clutch, spring stud ... ..	3			4
040388	Cup, for clutch spring ... ..	3	1		0
040385	Spring, for clutch ... ..	3	1		0
040389	Nut, adjusting, clutch spring ... ..	3	1		4
043185	Centre, for clutch, bare ... ..	1	1	8	9
043196	Plate, race, for clutch centre ... ..	1	1	3	0
043190	Cage, roller, for clutch centre ... ..	1	3		6
000075	Roller, for clutch centre ... ..	15			4
043186	Centre, shock absorber ... ..	1	1	8	9
040386	Rubber, large, shock absorber centre ... ..	3			8
040387	Rubber, small, shock absorber centre ... ..	3			6
043187	Plate, cover, shock absorber centre ... ..	1	11		6
043188	Screw, shock absorber centre cover plate ... ..	3			2
041265	Nut, retaining clutch centre ... ..	1			10
041398	Washer, spring, clutch centre retaining nut ... ..	1			3
<b>CLUTCH OPERATING PARTS</b>					
042208	Rod, thrust, clutch ... ..	1			2 0
042141	Body, operator, clutch ... ..	1			8 3
042142	Lever, clutch operator body ... ..	1			5 6
042143	Pin, clutch operator body ... ..	1			9
011645	Ball, Clutch operator body, $\frac{3}{8}$ ins. dia. ... ..	1			2
041280	Ring, lock, clutch operator body ... ..	1	2		1
041305	Peg, locating clutch operator body ... ..	1			2
<b>FRONT FRAME AND REAR FRAME</b>					
042286	Frame, front, bare ... ..	1	11	15	0
042307	Frame, rear, bare ... ..	1	7	10	0
043238	Race, frame head lug top and bottom ... ..	2			2 3
042459	Stud, front engine lug ... ..	2			9
000003	Nut, front engine lug stud ... ..	4			4
000010	Washer, front engine lug stud ... ..	4			1
042446	Rod, seat tube (to engine cradle) ... ..	1	3		9
042460	Stud, bottom, rear frame ... ..	1			6
000003	Nut, rear frame bottom stud ... ..	2			4
000010	Washer, rear frame bottom stud ... ..	2			1
021767	Stud, twinseat/frame uniting ... ..	1	1		3
000001	Nut, twinseat/frame uniting stud ... ..	2			5
000008	Washer, twinseat/frame uniting stud ... ..	2			2
<b>REAR FORK</b>					
042344	Fork, assembly, rear (1) ... ..	1	5	6	7
042371	Tube, rear fork bare, left "A" ... ..	1	2	12	6
042372	Tube, rear fork with spindle right "A" ... ..	1	2	12	6

## GENUINE MATCHLESS SPARES

PURCHASED FROM

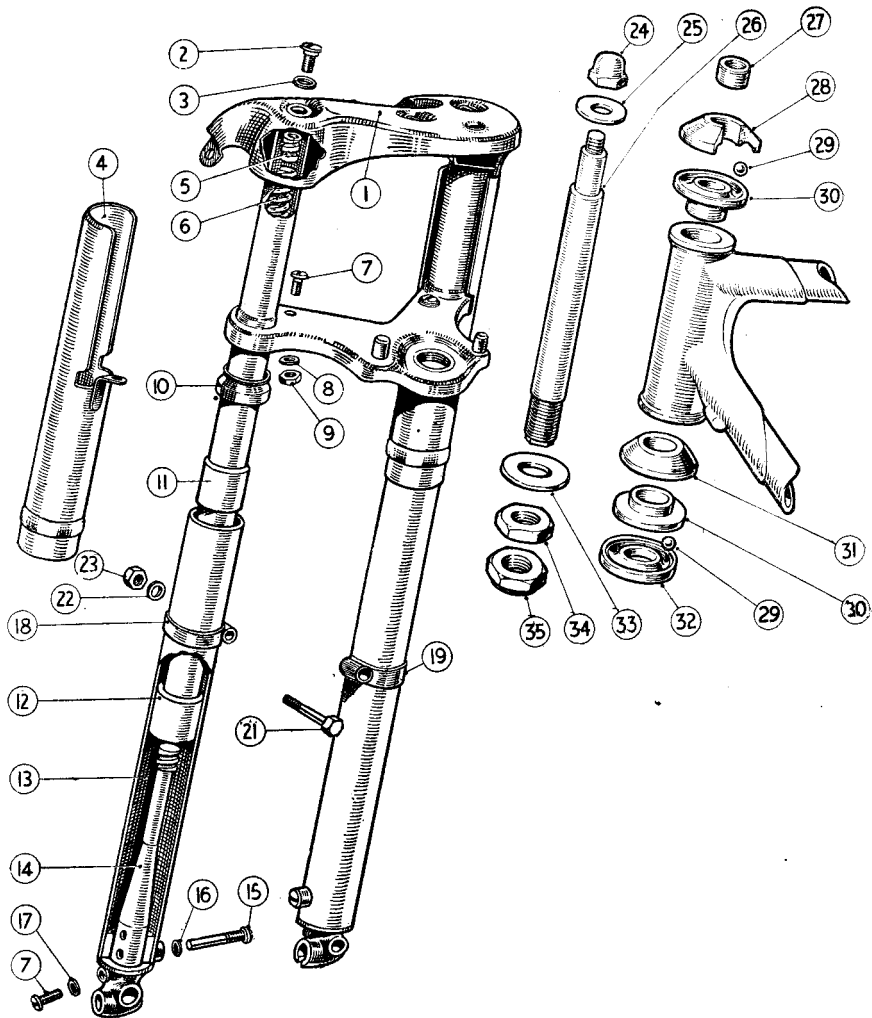
AN AUTHORISED "MATCHLESS" DEALER

OR FROM THE FACTORY, ARE IDENTICAL

WITH THE PARTS ORIGINALLY BUILT

INTO YOUR MOTOR CYCLE

PART NUMBER	DESCRIPTION	QTY.	PRICE EACH		
			£	s.	d.
<b>REAR FORK (continued)</b>					
042363	Bush, rear fork spindle ... ..	2	7	3	
042362	Washer, felt, rear fork spindle ... ..	2		6	
042360	Pin, cotter, rear fork spindle "A" ... ..	1		11	
000010	Washer, rear fork spindle cotter pin "A" ... ..	1		1	
023281	Nut, simmonds rear fork spindle cotter pin "A" ... ..	1		7	
000051	Nipple, grease ... ..	1		7	
042361	Screw, chain adjuster ... ..	2		9	
000290	Nut, chain adjuster screw ... ..	2		4	
NOTE 1—Comprises all parts marked "A".					
<b>REAR SUSPENSION UNIT</b>					
042370	Unit, complete, frame stay ... ..	2	2	17	0
043311	Unit, damper, inner assembly ... ..	2	1	14	6
024445	Shield, dust, top ... ..	2		7	0
023481	Shield, dust, bottom ... ..	2		8	0
023479	Clips, top dust shield ... ..	2		3	1
043312	Spring, main ... ..	2		8	0
043313	Sleeve assembly, with rubber bush, top pivot ... ..	2	2	2	
023485	Rubber, bottom pivot ... ..	2		6	
023600	Bush, bottom pivot rubber ... ..	2	1	2	
000004	Nut, securing rear suspensions, top ... ..	2		4	
022083	Nut, securing rear suspensions, bottom ... ..	2		5	
000011	Washer, plain rear suspension securing nuts ... ..	4		1	
<b>FRONT FORK</b>					
042479	Forks, complete, assembled ... ..	1	19	13	9
043234	"H" member, only, bare, front fork ... ..	1	6	1	0
043235	Stem, head, only ... ..	1		12	4
043236	Spacer, for head stem ... ..	1			10
043237	Shim, for head stem ... ..	3			3
043239	Race, fork crown, bottom... ..	1		2	11
043240	Race, adjusting, top ... ..	1		3	7
000021	Bearing, ball, for head race $\frac{1}{2}$ ins. dia. ... ..	set of 34		2	10
043241	Cover, dust, for bottom ball race ... ..	1		2	3
043242	Nut, adjusting, head stem, bottom ... ..	1		1	0
043243	Nut, lock, head stem, bottom ... ..	1		1	0
043244	Washer, head stem, bottom ... ..	1			3
043262	Nut, domed, head stem, top ... ..	1	4	7	
043263	Washer, head stem, top domed nut ... ..	1			4
043245	Screw, inner tube, top ... ..	2	1	0	
043246	Adaptor, inner tube top screw ... ..	2	2	7	
000201	Washer, fibre, inner tube top screw ... ..	2			4
043248	Tube, cover, top ... ..	2	13	0	
043249	Sleeve, end, top cover tube ... ..	2	3	3	
000005	Nut, top cover tube screw ... ..	2			4
000485	Screw, top cover tube ... ..	2			1
021579	Washer, shakeproof, top cover tube screw ... ..	2			1
043253	Seal, oil, fork inner tube ... ..	2	3	3	
043254	Extension, slider ... ..	2	2	5	6
000485	Screw, drain ... ..	2			1
000203	Washer, drain screw ... ..	2			1
043256	Tube, damper ... ..	2	9	9	
043257	Screw, retaining damper tube ... ..	2			7
043258	Washer, fibre, damper tube retaining screw ... ..	2			2
043259	Spring, main ... ..	2	16	3	
043260	Clip, mudguard attachment, left ... ..	1		4	7
043261	Clip, mudguard attachment, right ... ..	1		3	3
000373	Bolt, mudguard attachment clip ... ..	2			10
000004	Nut, mudguard attachment clip bolt ... ..	2			4
000011	Washer, mudguard attachment clip bolt ... ..	2			1
<b>HANDLEBAR AND CONTROL LEVERS</b>					
042589	Handlebar, only (continental) ... ..	1	3	0	10
042527	Handlebar, only, bare ... ..	1	2	9	6
023740	Grip, dummy, rubber ... ..	1		1	6



**Exploded view of Teledraulic Forks**

- |    |   |    |                                  |
|----|---|----|----------------------------------|
| 1  | FORK, H.                                  | 18 | MUDGUARD CLIP LEFT.              |
| 2  | INNER TUBE TOP SCREW.                     | 19 | MUDGUARD CLIP RIGHT.             |
| 3  | INNER TUBE TOP SCREW FIBRE WASHER.        | 21 | MUDGUARD CLIP BOLT.              |
| 4  | TOP COVER TUBE.                           | 22 | MUDGUARD CLIP BOLT WASHER.       |
| 5  | INNER TUBE TOP ADAPTOR                    | 23 | MUDGUARD CLIP BOLT NUT.          |
| 6  | MAIN SPRING.                              | 24 | NUT, DOMED TOP                   |
| 7  | DRAIN SCREW.                              | 25 | WASHER TOP DOMED NUT.            |
| 8  | TOP COVER TUBE SHAKEPROOF WASHER.         | 26 | HEAD STEM.                       |
| 9  | TOP COVER TUBE FIXING SCREW NUT.          | 27 | SPACER FOR HEAD STEM.            |
| 10 | OIL SEAL.                                 | 28 | ADJUSTING RACE.                  |
| 11 | ASSEMBLED PART.                           | 29 | BALLS STEERING.                  |
| 12 | ASSEMBLED PART.                           | 30 | FRAME RACE TOP AND BOTTOM.       |
| 13 | SLIDER EXTENSION.                         | 31 | DUST COVER FOR BALL RACE.        |
| 14 | DAMPER TUBE.                              | 32 | CROWN RACE.                      |
| 15 | DAMPER TUBE RETAINING SCREW.              | 33 | WASHER HEAD STEM BOTTOM NUTS.    |
| 16 | DAMPER TUBE RETAINING SCREW FIBRE WASHER. | 34 | HEAD STEM ADJUSTING NUT, BOTTOM. |
| 17 | DRAIN SCREW FIBRE WASHER.                 | 35 | HEAD STEM LOCK NUT, BOTTOM.      |

PART NUMBER	DESCRIPTION	QTY.	PRICE EACH	
			£	s. d.
<b>HANDLEBAR AND CONTROL LEVERS—(continued)</b>				
16-070	Grip, rubber, only, for twist grip ... ..	1	1	0
366-2	Twist grip, complete ... ..	1	9	0
366-001	Body, twist grip, top half ... ..	1	3	0
366-002	Body, twist grip, bottom half ... ..	1	3	0
366-004	Rotor, twist grip ... ..	1	2	6
376-079	Screw, fixing twist grip halves ... ..	2		2
366-007	Spring, friction ... ..	1		10
366-008	Screw, friction spring ... ..	1		7
366-006	Stop, for cable ... ..	1		11
12-608	Lever, assembly, air control ... ..	1	9	11
12-594	Body, only, air control lever ... ..	1	3	4
12-556	Lever, only, air control ... ..	1	4	7
12-607	Bolt, central, top cap ... ..	1		8
12-606	Cap, air control lever ... ..	1	1	2
12-033	Washer, spring, air control lever ... ..	1		2
12-595	Clamp, air control lever ... ..	1		11
11-014	Screw, clamping air control lever ... ..	2		3
043264	Lever, only, clutch and front brake ... ..	2	7	3
043265	Spacer, clutch and front brake lever ... ..	2		4
043266	Screw, pivot, clutch and front brake lever ... ..	2		3
018160	Nut, clutch and front brake lever pivot screw ... ..	2		3
043268	Bolt, fixing, handlebar to forks ... ..	2	1	0
043269	Washer (recess), handlebar fixing bolt ... ..	2	1	1

#### CENTRE STAND

042325	Stand, centre, assembled ... ..	1	2	6	0
042446	Rod, centre stand (also serves as footrest rod) ... ..	1	3	9	
042343	Rod, operating, centre stand ... ..	1	1	3	
042367	Spacer, bearing, centre stand ... ..	2	1	3	
042486	Spacer, centre stand (engine cradle) ... ..	1	2	0	
042365	Stop, for centre stand, left ... ..	1	1	0	
042366	Stop, for centre stand, right ... ..	1	1	0	
042342	Spring, centre stand ... ..	1	2	3	
042475	Stop, rubber, for centre stand ... ..	1		3	
042550	Bracket, for centre stand stop rubber ... ..	1	1	9	

#### FRONT MUDGUARD

042406	Mudguard, front, bare ... ..	1	2	0	0
042418	Stay, front mudguard ... ..	1	1	5	0
000070	Bolt, stay to front mudguard ... ..	2		4	
000005	Nut, stay to front mudguard bolt ... ..	2		4	
000012	Washer, stay to front mudguard bolt ... ..	2		1	
000361	Bolt, stay to fork member ... ..	2		4	
000011	Washer, stay to fork member bolt ... ..	2		1	
022632	Screw, mudguard bridge ... ..	4		11	
021579	Washer, shakeproof, mudguard bridge screw ... ..	4		1	
000005	Nut, mudguard bridge screw ... ..	4		4	

#### REAR MUDGUARD

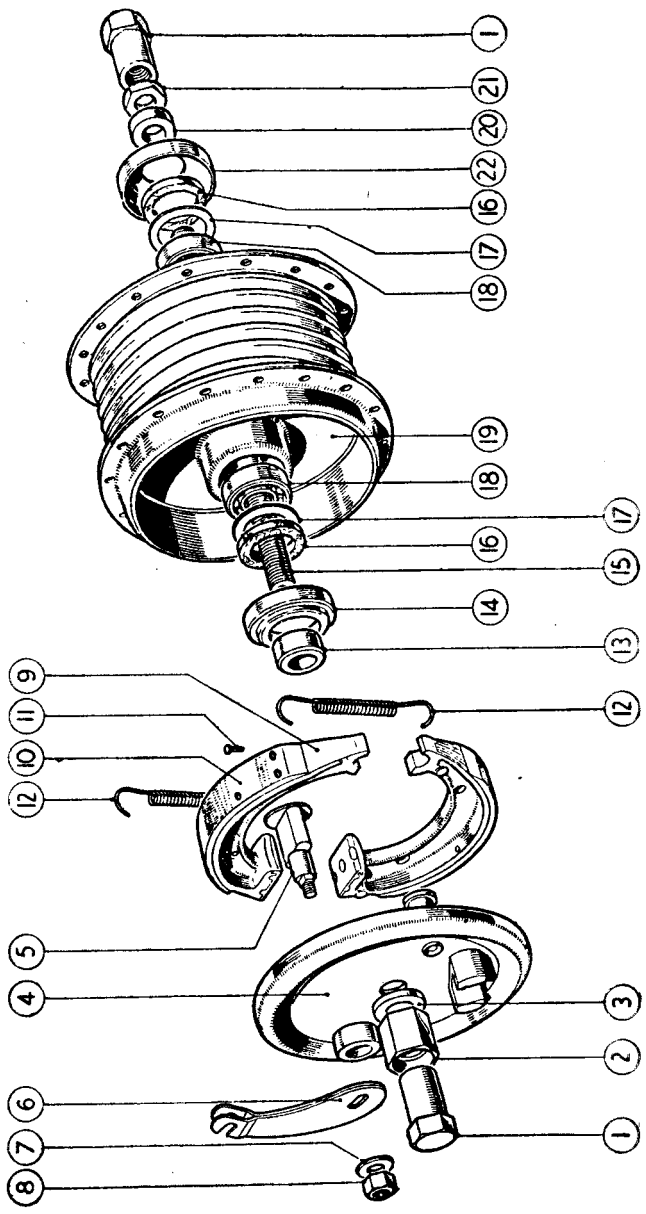
042258	Mudguard, rear, bare ... ..	1	2	11	0
042265	Screw, fixing, rear mudguard ... ..	4		3	
000004	Nut, rear mudguard fixing screw ... ..	4		4	
000011	Washer, rear mudguard fixing ... ..	4		1	
000363	Bolt, fixing rear mudguard at front ... ..	1		5	
000004	Nut, rear mudguard front fixing bolt ... ..	1		4	
000011	Washer, plain, rear mudguard front fixing bolt ... ..	1		1	
000192	Washer, spring, rear mudguard front fixing bolt ... ..	1		1	

ALWAYS INCLUDE ALL THE LETTERS  
WHEN QUOTING THE ENGINE NUMBER

PART NUMBER	DESCRIPTION	QTY.	PRICE EACH		
			£	s.	d.
<b>REAR NUMBER PLATE</b>					
042435	Plate, number, rear ... ..	1	12	3	
000342	Bolt, rear number plate ... ..	2		4	
042472	Nut, (trapped) rear number plate bolt ... ..	2		3	
041022	Washer, spring, rear number plate bolt ... ..	2		1	
000172	Washer, plain, rear number plate bolt ... ..	2		2	
025392	Bead, plastic for rear number plate 20½ ins. ... ..	1		5	
<b>FRONT CHAINCASE</b>					
042028	Chaincase, inner half, with seal and discs ... ..	1	3	7	6
042050	Chaincase, outer half, with motif ... ..	1	3	15	0
012560	Motif, front chaincase ... ..	1		6	5
042169	Gasket, chaincase inner half ... ..	1			2
041097	Screw, fixing, chaincase inner half ... ..	6			1
042180	Gasket, joint, chaincase halves ... ..	1			9
000484	Screw, joining chaincase halves ... ..	1			4
042175	Screw, joining chaincase halves ... ..	1			6
042037	Screw, joining chaincase halves ... ..	1			3
042038	Screw, joining chaincase halves ... ..	1	1		0
041084	Screw, joining chaincase halves ... ..	2			3
042040	Cap, inspection, chaincase... ..	2	4		0
042025	Washer, leather, inspection cap ... ..	2			4
040137	Plug, drain, chaincase ... ..	1			7
041123	Washer, fibre, chaincase drain plug ... ..	1			2
042403	Fairing, for chaincase ... ..	1	7		6
013849	Screw, chaincase fairing ... ..	3			6
011846	Nut, chaincase fairing screw ... ..	3			3
000039	Washer, chaincase fairing screw ... ..	3			1
<b>REAR CHAINGUARD</b>					
042494	Chainguard, rear ... ..	1	2	10	0
000374	Bolt, fixing chainguard, front ... ..	1			10
000372	Bolt, fixing chainguard, rear ... ..	1			10
000174	Washer, chainguard fixing bolts ... ..	2			2
<b>REAR CHAINCASE</b>					
042377	Chaincase, rear, top half only ... ..	1	2	10	0
042469	Chaincase, rear bottom half only... ..	1	2	10	0
000374	Bolt, fixing chaincase, front ... ..	1			10
000372	Bolt, fixing chaincase, rear ... ..	1			10
000011	Washer, chaincase fixing bolts ... ..	2			1
042378	Cap, rubber, chaincase inspection ... ..	1			9
042471	Washer, rear wheel spindle ... ..	1			4
<b>BATTERY CARRIER</b>					
042337	Carrier, battery, no strap ... ..	1	5		3
023097	Strap, front, for battery carrier ... ..	1	2		8
013848	Screw, fixing battery carrier ... ..	2			3
042489	Nut, trapped, battery carrier fixing screw ... ..	2			3
010734	Bolt, fixing battery carrier to frame ... ..	1			5
000004	Nut, battery carrier to frame bolt ... ..	1			4
000011	Washer, battery carrier to frame bolt ... ..	2			1
<b>FOOTRESTS</b>					
042457	Arm or hanger, for footrest ... ..	2	12		0
010847	Rubber, for footrest arm ... ..	2			3
042446	Rod, for footrest arm (also serves as centre stand stud) ... ..	1	3		9
042368	Spacer, footrest rod, left ... ..	1			9

**MAINTENANCE MANUAL 1958 EDITION    PRICE 3/-**  
**IS THE APPROPRIATE MANUAL FOR THIS SPARES LIST**

- |    |        |                                      |
|----|--------|--------------------------------------|
| 1  | 043285 | NUT, EXTENDED, FRONT SPINDLE.        |
| 2  | 043289 | NUT, LOCK, WHEEL SPINDLE, LEFT.      |
| 3  | 043287 | SPACER, WHEEL SPINDLE, LEFT.         |
| 4  | 043270 | PLATE, BARE, FRONT BRAKE.            |
| 5  | 043272 | EXPANDER, BRAKE SHOES.               |
| 6  | 043274 | LEVER, BRAKE EXPANDER.               |
| 7  | 043276 | WASHER, BRAKE EXPANDER LEVER.        |
| 8  | 000004 | NUT, BRAKE EXPANDER LEVER.           |
| 9  | 043277 | SHOES, BRAKE, WITH LININGS.          |
| 10 | 043231 | LININGS, WITH RIVETS.                |
| 11 |        |                                      |
| 12 | 043278 | SPRING, FOR BRAKE SHOES.             |
| 13 | 043286 | SPACER, WHEEL SPINDLE, LONG, LEFT.   |
| 14 | 043281 | CUP, HUB BEARING SEAL, LEFT.         |
| 15 | 043284 | SPINDLE ONLY, FRONT WHEEL.           |
| 16 | 043280 | SEAL, FELT, HUB BEARING.             |
| 17 | 043283 | WASHER, HUB BEARING SEAL.            |
| 18 | 043279 | BEARING, BALL, FRONT WHEEL.          |
| 19 | 043227 | SHELL, BARE, FRONT HUB.              |
| 20 | 043288 | SPACER, WHEEL SPINDLE, SHORT, RIGHT. |
| 21 | 043290 | NUT, LOCK, WHEEL SPINDLE, RIGHT.     |
| 22 | 043282 | CUP, HUB BEARING SEAL, RIGHT.        |





PART NUMBER	DESCRIPTION	QTY.	PRICE EACH £ s. d.
-------------	-------------	------	-----------------------

### FOOTRESTS—(continued)

042369	Spacer, footrest rod, right	1	6
000002	Nut, footrest rod	2	5
000009	Washer, footrest rod	2	2

### PILLION FOOTRESTS (Optional equipment)

042590	Pillion footrests complete, less arms	pair, 1	14 0
042476	Arm, bare, pillion footrest, left	1	16 6
042478	Arm, bare, pillion footrest, right	1	15 7
042568	Spindle, bare, pillion footrest	2	8 3
042569	Rubber, only, pillion footrest spindle	2	1 3
042189	Bolt, hinge, pillion footrest spindle	2	6
000005	Nut, pillion footrest spindle hinge bolt	2	4
000012	Washer, pillion footrest spindle hinge bolt	2	1

When pillion footrests are to be fitted the spacers on either side of the machine on the brake pedal rod must be discarded.

### SADDLE

042277	Seat, twin	1	6 15 0
042587	Stud fixing twin seat to frame	2	9
000011	Washer, twin seat fixing bolt	2	1
000004	Nut, twin seat fixing stud	2	4

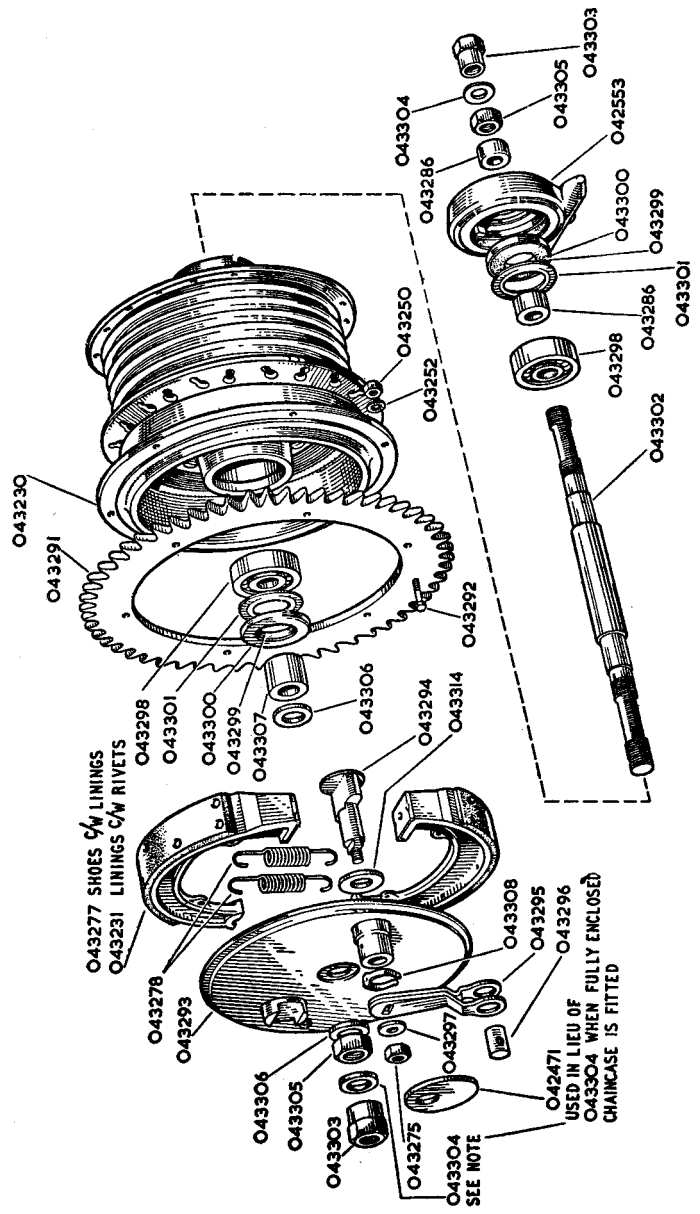
### PETROL TANK

042487	Tank, petrol, bare	1	7 15 0
018891	Motif, for petrol tank	2	8 6
018896	Rubber, seating, petrol tank motif	2	1 3
000153	Screw, petrol tank motif	4	2
013325	Cap, filler, for petrol tank	1	8 2
042464	Grip, rubber, for petrol tank, left	1	4 0
042465	Grip, rubber, for petrol tank, right	1	4 0
042273	Bracket, front, for petrol tank	1	2 9
000372	Bolt, petrol tank front bracket	1	10
000004	Nut, petrol tank front bracket bolt	1	4
000011	Washer, petrol tank front bracket bolt	1	1
014117	Washer, shakeproof, petrol tank front bracket bolt	1	1
042269	Bolt, fixing petrol tank, front	2	9
042267	Rubber, petrol tank front fixing bolt	4	3
042425	Sleeve, petrol tank front fixing bolt	2	3
042272	Washer, petrol tank front fixing bolt	2	2
042269	Bolt, fixing petrol tank, rear	1	9
014996	Rubber, petrol tank rear fixing bolt	2	3
042423	Sleeve, petrol tank rear fixing bolt	1	3
014999	Washer, petrol tank rear fixing bolt	1	4
023274	Tap, petrol supply, with fibre washers	2	10 0
000200	Washer, fibre, for petrol supply tap pipe, plastic, petrol supply	2	4
021844	"T" piece, petrol supply pipe	1	3 5

### OIL TANK

042083	Tank, oil, outer half	1	1 1 0
042170	Gasket, for oil tank	1	6
021282	Cap, filler, oil tank	1	3 10
021329	Washer, oil tank filler cap	1	2
042160	Plug, drain (in crankcase)	1	4 6
042186	Washer, fibre, drain plug	1	3
042189	Bolt, fixing oil tank	5	6
042190	Bolt, fixing oil tank	1	1 6
042191	Bolt, fixing oil tank	1	1 6

THE MAINTENANCE MANUAL AND INSTRUCTION BOOK  
HAS FORTY-EIGHT PAGES AND NINETEEN ILLUSTRATIONS



PART NUMBER	DESCRIPTION	QTY.	PRICE EACH		
			£	s.	d.

### OIL TANK—(continued)

042192	Bolt, fixing oil tank	1	1	6	
020053	Bolt, fixing oil tank	1	1	3	
000012	Washer, oil tank fixing bolt	9			1

### FRONT WHEEL

THE COMPLETE WHEEL LISTED BELOW COMPRISES:—

Rim, spokes, nipples, hub, all bearings, and all brake parts including cover plate and expander lever, but does not include the tyre.

043225	Wheel, front, complete with all fittings	1	12	8	3
043226	Wheel, front, bare, less all fittings	1	7	17	6
042440	Rim, front	1	2	5	0
042482	Spoke, front wheel	27			3
042483	Spoke, front wheel	9			3
021693	Nipple, front wheel spoke	36			2
043227	Hub, front wheel, shell only, with brake drum	1	4	17	6

### FRONT WHEEL BEARINGS

043284	Spindle, only, front wheel	1	11	8	
043279	Bearing, ball, front wheel	2	14	0	
043280	Seal, felt, hub ball bearing	2			4
043281	Cup, hub, bearing felt seal, left	1			8
043282	Cup, hub, bearing felt seal, right	1			5
043283	Washer, hub bearing felt seal	2			4
043289	Nut, lock, front wheel spindle, left	1	1	8	
043290	Nut, lock, front wheel spindle, right	1			4
043286	Spacer, front wheel spindle, long, left	1	1	0	
043287	Spacer, front wheel spindle, medium, left	1	1	4	
043288	Spacer, front wheel spindle, short, right	1	1	4	
043285	Nut, extended, front wheel spindle	2	3	3	

### REAR WHEEL

THE COMPLETE WHEEL LISTED BELOW COMPRISES:—

Rim, spokes, nipples, hub with brake drum, spindle, bearing, spacers, nuts and washers. *But less sprocket, brake parts, speedo drive and tyre.*

043228	Wheel, rear, with bearings	1	11	18	2
043229	Wheel, rear, bare	1	8	15	0
042440	Rim, rear	1	2	5	0
042483	Spoke, rear wheel	36			3
021693	Nipple, rear wheel spoke	36			2
043230	Hub, shell only, with brake drum	1	5	15	0

### REAR WHEEL BEARINGS

043302	Spindle, only, rear wheel	1	13	0	
043298	Bearing, ball, rear wheel	2	17	3	
043299	Seal, felt, hub ball bearing	2			8
043300	Cup, hub bearing felt seal	2			8
043301	Washer, hub bearing felt seal	2			4
043305	Nut, lock, rear wheel spindle	2	1	0	
043306	Washer, rear wheel spindle lock nut	2			3
043303	Nut, extended, rear wheel spindle	2	3	3	
043304	Washer, rear wheel spindle extended nut	2			2
043307	Spacer, rear wheel spindle, long, left	1	1	0	
043286	Spacer, rear wheel spindle, short, right	2	1	0	

### FRONT BRAKE

043270	Plate, back, bare, front brake	1	19	6	
043271	Plate, cover, bare, front brake	1	4	6	

BY USING GENUINE SPARES YOU ARE ASSURED THEY  
WILL FIT ACCURATELY AND GIVE SATISFACTORY SERVICE

PART NUMBER	DESCRIPTION	QTY.	PRICE EACH £ s. d.
<b>FRONT BRAKE—(continued)</b>			
043277	Shoe, brake, with linings, front brake ... ..	pair 1	19 6
043231	Linings, with rivets, front brake shoes ... ..	pair 1	7 3
043278	Spring, for brake shoes ... ..	2	8
043272	Expander, for brake shoes ... ..	1	5 2
000011	Washer, brake expander ... ..	2	1
043274	Lever, brake expander ... ..	1	2 7
000004	Nut, brake expander lever ... ..	1	4
043276	Washer, brake expander lever ... ..	1	3
<b>REAR WHEEL SPROCKET</b>			
043291	Sprocket, rear wheel ... ..	1	1 6 0
043292	Bolt, rear wheel sprocket ... ..	6	5
043250	Nut, rear wheel sprocket bolt ... ..	6	3
043252	Washer, shakeproof rear wheel sprocket bolt ... ..	6	2
<b>REAR BRAKE</b>			
043293	Plate, cover, rear brake ... ..	1	1 6 0
043294	Expander, for brake shoes ... ..	1	5 2
043314	Washer, rear brake shoe expander ... ..	1	2
043295	Lever, brake shoe expander ... ..	1	3 11
043296	Trunnion, brake shoe expander lever ... ..	1	1 4
043275	Nut, brake expander lever ... ..	1	3
017670	Washer, brake expander lever ... ..	1	2
043277	Shoes, brake with linings ... ..	pair 1	19 6
043231	Linings, with rivets, for brake shoes ... ..	pair 1	7 3
043278	Spring, for brake shoes ... ..	2	8
043308	Clip, brake expander bush oil hole ... ..	1	4
<b>REAR BRAKE OPERATING PARTS</b>			
042449	Pedal, foot, for rear brake ... ..	1	1 6 0
042450	Washer, rear brake foot pedal ... ..	1	3
042451	Bush, rear brake, foot pedal ... ..	1	1 6
042452	Spring, return, rear brake foot pedal ... ..	1	1 3
042453	Stop, rear brake foot pedal ... ..	1	9
000051	Nipple, grease, rear brake foot pedal ... ..	1	7
042446	Rod, rear brake pedal (also serves as seat tube rod) ... ..	1	3 9
000002	Nut, rear brake pedal rod ... ..	2	5
000009	Washer, rear brake pedal rod ... ..	2	2
042493	Spacer, pillion footrests ... ..	2	1 0
042463	Rod, rear brake operating ... ..	1	3 3
017095	Spring, return, rear brake rod ... ..	1	5
000178	Washer, stop, rear brake rod return spring ... ..	1	1
000014	Pin, split, rear brake rod ... ..	1	1
000178	Washer, rear brake rod split pin ... ..	1	1
022743	Nut, adjusting, rear brake rod ... ..	1	2 6
<b>TOOL BOX</b>			
042426	Box, tool, only, bare ... ..	1	1 10 6
014511	Screw, tool box lid ... ..	1	1 5
014511	Screw, tool box fixing ... ..	1	1 5
000005	Nut, lock tool box and tool box lid screws ... ..	4	4
000192	Washer, spring, tool box and tool box lid screws ... ..	2	1
042455	Buffer, rubber for tool box (in mudguard) ... ..	1	3
042458	Stud, tool box and accessory cover ... ..	2	1 3
000004	Nut, tool box and accessory cover studs ... ..	4	4
000011	Washer, tool box and accessory cover studs ... ..	4	1
<b>ACCESSORY COVER</b>			
042410	Cover, assembly, accessory ... ..	1	1 2 0
014511	Screw, accessory cover ... ..	1	1 5
000012	Washer, accessory cover screw ... ..	1	1
042412	Bracket, assembly, accessory cover ... ..	1	6 0
014577	Bolt, accessory cover bracket ... ..	2	3
000012	Washer, accessory cover bracket bolt ... ..	2	1

PART NUMBER	DESCRIPTION	QTY.	PRICE EACH	
			£	s. d.
<b>TRANSFERS</b>				
043223	Transfers, complete set ... ..	1	1	6
009189	Transfer, for rear mudguard ... ..	1		4
009188	Transfer, for tool box and accessory cover ... ..	2		5
009195	Transfer, for petrol tank, "reserve" ... ..	1		4
<b>CONTROL CABLES</b>				
042547	Cable, assembled, front brake ... ..	1	3	3
042548	Cable, assembled, clutch ... ..	1	4	6
042549	Cable, assembled, throttle ... ..	1	3	0
042546	Cable, assembled, air ... ..	1	2	6

## ELECTRICAL SECTION

PART NUMBER	DESCRIPTION	QTY.	PRICE EACH	
			£	s. d.
<b>HEAD LAMP</b>				
043127	Headlamp, with switches, ammeter, and bulbs less lighting harness, ... ..	1	4	5 0
043128	Shell, only, head lamp ... ..	1		15 0
043123	Rim, only, for head lamp ... ..	1		9 6
043130	Light unit, (reflector and glass) ... ..	1		16 0
043137	Glass, only, headlamp ... ..	1		3 6
043122	Clip, and screw, fixing head rim ... ..	1		1 0
043136	Bulb holder, main ... ..	1		4 6
043140	Bulb holder, pilot ... ..	1		6
043129	Bolts, and washers, fixing headlamp to forks ... ..	set 1	2	0
043124	Clips, securing reflector to rim ... ..	4		3
<b>REAR LAMP</b>				
042524	Lamp, rear, complete ... ..	1	19	6
043125	Cover set, rear lamp ... ..	1	7	4
043126	Fixing set, rear lamp cover ... ..	1	1	0
011094	Grommet, rubber, (in mudguard) for rearlamp ... ..	2		5
<b>BATTERY</b>				
042551	Battery, with lid (Exide 3ER7L) ... ..	1	2	4 0
<b>HORN</b>				
042532	Horn, only (Lucas H.F.1849) ... ..	1	1	2 6
012873	Screw, fixing horn ... ..	2		3
000080	Nut, horn fixing screw ... ..	4		2
000039	Washer, horn fixing bolt ... ..	2		1
<b>ALTERNATOR, ETC.</b>				
042534	Alternator (rotor and stator) ... ..	1	7	5 0
043105	Stator, generator ... ..	1	3	3 0
043101	Ring, for stator ... ..	1		19 6
043102	Coil set, for stator (set of six) ... ..	1	1	17 0
043103	Coil (singly) ... ..	6		6 3
043106	Leads, set, (includes clip and screw) ... ..	1		7 6
043107	Clips, set, (for coil attachment) ... ..	1		2 6
042188	Stud, in chain case for stator ... ..	3		4
000005	Nut, for stator stud ... ..	3		4
021579	Washer, shakeproof for stator stud ... ..	3		1
043104	Rotor, generator ... ..	1	4	2 0

PART NUMBER	DESCRIPTION	QTY.	PRICE	
			£	s. d.
<b>ALTERNATOR, ETC.—(continued)</b>				
000230	Nut, retaining rotor ... ..	1	11	
042195	Key, for rotor ... ..	1	6	
000176	Washer, for rotor nut ... ..	1	1	
043108	Gaskets, set ... ..	1	6	
042539	Coil, ignition with H.T. lead ... ..	1	10	8
000543	Lead, H.T., 21 ins. by 7 m/m ... ..	1	2	2
043109	Nut, set, terminal ... ..	1	6	
042533	Contact breaker unit complete ... ..	1	18	0
043118	Base plate unit ... ..	1	16	0
043116	Contact breaker, only ... ..	1	7	6
043115	Plate, base only ... ..	1	2	6
043117	Cam unit ... ..	1	5	9
043113	Adaptor assembly ... ..	1	9	6
043114	Auto advance unit ... ..	1	15	0
043110	Flyweight set ... ..	1	6	0
043111	Circlip and spring set ... ..	1	1	0
043112	Condensor set ... ..	1	5	0
043119	Screw and washer set ... ..	1	1	0
043120	Lead, L.T. unit ... ..	1	6	
000347	Bolt, cam unit ... ..	1	5	
000012	Washer, cam unit bolt ... ..	1	1	
000451	Screw, contact breaker plate ... ..	2	4	
000039	Washer, contact breaker plate screw ... ..	2	1	
042167	Cover, contact breaker ... ..	1	8	3
042168	Gasket, contact breaker cover ... ..	1	3	
042172	Screw, contact breaker cover ... ..	1	1	
024159	Grommet, contact breaker lead ... ..	1	2	
042535	Rectifier, with bolt, nuts and washers ... ..	1	2	0 0
043135	Fixing set, for rectifier ... ..	1	2	2
<b>ELECTRICAL SUNDRIES</b>				
043121	Ammeter, only ... ..	1	9	9
042538	Switch, horn and dipper ... ..	1	10	6
043144	Switch, complete, lighting ... ..	1	12	6
043145	Switch, complete, ignition ... ..	1	12	6
043141	Body, only, lighting and ignition switch ... ..	2	10	0
043142	Cover and knob, lighting switch ... ..	1	2	6
043143	Cover and knob, ignition switch ... ..	1	2	6
043131	Plug unit, black ... ..	1	3	0
043132	Plug unit, blue ... ..	1	3	0
042537	Harness, main ... ..	1	15	0
043134	Harness, dipping switch ... ..	1	3	0
359218	Cable, horn ... ..	1	1	0
043133	Connector (single) ... ..	R	4	
043138	Connector (double) ... ..	R	6	
043139	Connector (4-way) ... ..	R	1	0
015547	Plug, sparking, F.E. 80 K.L.G. ... ..	1	5	0
018895	Interference suppressor ... ..	1	1	9
373	Bulb, headlamp, main, 6 volt, 30 by 24 watt, P.F. ... ..	1	5	0
				Purchase tax
043146	Bulb, headlamp, pilot, 6 volt, 3 watt, M.E.S. ... ..	1	1	3
				Purchase tax
043146	Bulb, rear lamp, 6 volt, 3 watt, M.E.S. ... ..	2	1	3
				Purchase tax
042584	Bulb, 6 volt, 18 watt S.C.C. bayonet, for stop light ... ..	1	1	8
				Purchase tax
<b>STOP LIGHT (Optional extra)</b>				
042565	Stop light, complete set of parts ... ..	1	12	6
042566	Switch, only, stop light ... ..	1	5	0
042563	Bracket, only, stop light switch ... ..	1	1	9
042567	Cable, only, stop light ... ..	1	2	9
000070	Bolt, stop light bracket ... ..	1	4	
000005	Nut, stop light bracket bolt ... ..	1	4	
000012	Washer, stop light bracket bolt ... ..	2	1	

When fitting the above stop light set, 042450 brake pedal washer must be discarded.

PART NUMBER	DESCRIPTION	QTY.	PRICE EACH		
			£	s.	d.
<b>AIR CLEANER (Optional extra)</b>					
042417	Cleaner, air, only ... ..	1	14	0	0
042447	Clip, for air cleaner ... ..	1	2	6	
042561	Connection, rubber, for air cleaner ... ..	1		9	
042236	Extension, for air cleaner ... ..	1	6	3	
000364	Bolt, fixing air cleaner ... ..	1		10	
<b>TOOL KIT COMPLETE</b>					
043232	Tool kit, complete, with inflator ... ..	1	2	19	9
043233	Tool kit, complete, less inflator ... ..	1	2	9	4
<b>TOOLS</b>					
017253	Bag, for tools ... ..	1	6	3	
021625	Screwdriver ... ..	1	1	3	
017249	Spanner, adjustable ... ..	1	13	8	
017007	Lever, tyre ... ..	2	1	7	
017257	Spanner, $\frac{1}{8}$ ins. by $\frac{3}{16}$ ins. whit. ... ..	1	2	1	
017052	Spanner, $\frac{3}{16}$ ins. by $\frac{1}{2}$ ins. whit. ... ..	2	3	8	
017053	Spanner, $\frac{1}{4}$ ins. by $\frac{3}{8}$ ins. whit. ... ..	1	5	7	
017252	Spanner, with tommy bar for sparking plug ... ..	1	2	4	
023284	Spanner, for adjusting rear suspension ... ..	1	1	5	
042540	Gauge, feeler for contact points ... ..	1	1	0	
018667	Key, allen, for oil filter cap ... ..	1	2	3	
042570	Spanner, for steering head adjustment ... ..	1	3	0	
017114	Inflator, tyre ... ..	1	10	5	
<b>SPEEDOMETER</b>					
042591	Speedometer complete, 80 m.p.h. ... ..	1	5	3	6
042592	Speedometer complete, 140 k.p.h. ... ..	1	5	3	6
042529	Head, only, speedometer, 80 m.p.h. ... ..	1	2	0	0
042530	Head, only, speedometer, 140 k.p.h. ... ..	1	2	0	0
042553	Gear box, only, speedometer drive ... ..	1	1	17	6
042531	Cable complete, speedometer drive ... ..	1	1	2	6
52108-1-62	Cable, inner only, speedometer drive ... ..	1	11	3	
53398-1-62	Cable, outer only, speedometer drive ... ..	1	11	3	
042586	Ring, rubber, for speedometer head ... ..	1		6	
53205	Bulb, only, 6 volt, 1.8 watt M.C.B. ... ..	1		6	
			Purchase tax		4
<b>VARIOUS EQUIPMENT</b>					
042655	Carrier, rear, assembled ... ..	1	2	16	0
042674	Screw, fixing rear carrier ... ..	2		11	
011957	"Tekall", rust preventative, $\frac{1}{2}$ pint ... ..	R All	2	0	
011958	"Tekall", rust preventative, 1 pint ... ..	R All	3	6	
B.M.H.	Badge, monogram, Matchless, for button hole ... ..	R All	1	6	
B.M.B.	Badge, monogram, Matchless, for brooch ... ..	R All	1	6	
	Instruction manual ... ..	R All	3	0	
<b>GASKET SETS</b>					
043309	Gaskets, complete set ... ..	1	14	0	
043310	Gaskets, decarbonising set, only ... ..	1	5	9	
<b>OPTIONAL TOOLS</b>					
042247	Bolt, contact breaker extractor ... ..		4	7	
042571	Nut, timing pinion extractor ... ..		2	0	
015274	Body, timing pinion extractor ... ..		4	0	
015725	Screw, timing pinion extractor ... ..		2	10	
022011	Disc, timing ... ..		5	3	
017482	Holder, for valve grinding ... ..		2	4	
018276	Compressor, for valve springs ... ..		5	3	

# INDEX

	Page		Page
<b>Badges</b>		<b>ELECTRICAL (continued)</b>	
Coat ... ..	22	Stator ... ..	21
<b>BRAKES</b>		Switches ... ..	21
Cables ... ..	21	<b>ENGINE</b>	
Front ... ..	18	Axles ... ..	4
Levers ... ..	13	Bearings ... ..	4
Rear ... ..	19	Big-end ... ..	4
Rods ... ..	19	Bolts ... ..	4
<b>CABLES</b>		Bush, Gudgeon ... ..	4
Control ... ..	21	Connecting Rod ... ..	4
Electric ... ..	21	Crankcases ... ..	4
Speedometer ... ..	22	Crankpin ... ..	4
<b>CARBURETTERS</b>		Cylinders ... ..	3
Air Cleaners ... ..	22	Cylinder Heads ... ..	3
Jets ... ..	7	Flywheels ... ..	4
Mixing Bodies ... ..	6	Gaskets ... ..	22
Valves ... ..	7	Oil Pump ... ..	5
<b>CARRIAGE Charges</b> ... ..	1	Push Rods ... ..	5
<b>CARRIERS</b>		Re-boring ... ..	3
Battery ... ..	14	Release Valve ... ..	5
Luggage ... ..	22	Rings, Piston ... ..	3
<b>CHAINS</b>		Rocker Box ... ..	5
Complete ... ..	7	Rocker Box Stay ... ..	6
Links ... ..	7	Rockers ... ..	5
<b>CORRESPONDENCE</b>		Tappets ... ..	4
Instructions ... ..	2	Timing Gear ... ..	4
<b>DAMPERS</b>		Valves ... ..	3
Rear Leg ... ..	11	<b>FORKS</b>	
<b>ELECTRICAL</b>		Front ... ..	11
Alternator ... ..	20	Front Assemblies ... ..	11
Battery ... ..	20	Rear ... ..	10
Battery Carriers ... ..	14	<b>FOOTRESTS</b>	
Bulbs ... ..	21	Pillion ... ..	16
Contact Breaker ... ..	20	Riders ... ..	14
Horns ... ..	20	<b>FRAME</b>	
Lamps, Head ... ..	20	Bolts ... ..	4
Lamps, Tail ... ..	20	Plates ... ..	4
Rotor ... ..	20	Front Frame ... ..	10
Sparking Plug ... ..	21	Rear Fork ... ..	10
		Rear Frame ... ..	10
		<b>GASKETS</b> Sets of ... ..	22
		<b>GEAR BOX</b>	
		Bearings ... ..	8
		Clutch ... ..	9
		Clutch Operating Parts ... ..	10



# INDEX

	Page		Page
<b>GEAR BOX</b> (continued)		<b>SEATS</b> Riders ... ..	16
Fixing Parts ... ..	7	<b>SERVICE</b>	
Gear Operating Parts ... ..	8	Details ... ..	1
Gears ... ..	8	Location ... ..	25
Kickstarter ... ..	9	<b>SILENCERS</b>	
Shafts ... ..	8	Silencers ... ..	6
Shells ... ..	8	<b>SPARES</b> How to order... ..	1
Small Sprockets... ..	8	<b>SPEEDOMETER</b>	
<b>GUARANTEE</b> Terms of ... ..	2	Complete ... ..	22
<b>GUARDS</b>		Components ... ..	22
Chaincase, Front ... ..	14	<b>SPROCKETS</b>	
Chainguard, Rear ... ..	14	Clutch ... ..	9
Mudguard, Front ... ..	13	Engine ... ..	7
Mudguard, Rear ... ..	13	Gear Box ... ..	8
<b>HANDLEBAR</b>		Rear Wheel ... ..	19
Bar Only... ..	12	<b>STANDS</b>	
Control Levers ... ..	12	Centre ... ..	13
Grips ... ..	12	<b>TANKS</b>	
<b>IDENTIFICATION</b>		Oil ... ..	16
Machine Numbers ... ..	2	Petrol ... ..	16
<b>INSTRUCTION BOOK</b>		<b>TERMS OF BUSINESS</b>	
Details of ... ..	2	Details ... ..	1
<b>LEG</b> Rear ... ..	11	<b>TOOLS</b>	
<b>LEVERS</b> Control ... ..	12	Boxes ... ..	19
<b>PACKING</b> Cost of ... ..	1	Complete Kits ... ..	22
<b>PATTERNS</b> Identification ... ..	3	Separate Tools ... ..	22
<b>PIPES</b>		Special Tools ... ..	22
Exhaust ... ..	6	<b>TRANSFERS</b>	
Petrol ... ..	16	Complete Sets ... ..	21
<b>PLATES</b>		Separate Items ... ..	21
Engine ... ..	4	<b>VARIOUS EQUIPMENT</b> ... ..	22
Number, Rear ... ..	14	<b>WHEELS</b>	
<b>REPAIRS</b>		Bearings, Front ... ..	18
Conditions of ... ..	2	Bearings, Rear ... ..	18
Proprietary Parts ... ..	2	Wheels, Front ... ..	18
<b>RUST PREVENTATIVE</b>		Wheels, Rear ... ..	18
Tekall ... ..	22		