

# SPARES LIST

**1960**

## MATCHLESS

**G2 - G2CS  
& G5**



Compiled and Issued by the Manufacturers

## MATCHLESS MOTOR CYCLES

(Proprietors: ASSOCIATED MOTOR CYCLES LIMITED)

Registered Offices:

PLUMSTEAD ROAD, PLUMSTEAD  
LONDON, S.E.18 : ENGLAND

Nearest Station:

WOOLWICH ARSENAL  
(Southern Region Railway)

Factories:

BURRAGE GROVE and MAXEY ROAD  
PLUMSTEAD, S.E.18

Telegrams and Cables: "MATCHLESS, TELEX-LONDON" No. 22617

Telephone: WOOLWICH 1223 (7 lines)

Codes: A.B.C. 5th and 6th Edition; Bentley's; and Private Codes

All correspondence to:—

MATCHLESS MOTOR CYCLES, PLUMSTEAD ROAD, LONDON, S.E.18

Price: **THREE SHILLINGS AND SIXPENCE**





# INDEX

	Page		Page
<b>BADGES</b>		<b>ELECTRICAL</b> ( <i>continued</i> )	
Coat ... ..	34	Stator ... ..	31
<b>BRAKES</b>		Switches ... ..	31
Cables ... ..	23	<b>ENGINE</b>	
Front ... ..	27	Axles ... ..	4
Levers ... ..	18	Bearings ... ..	5
Rear ... ..	28	Big-end ... ..	4
Rods ... ..	29	Bolts ... ..	6
<b>CABLES</b>		Bush, Gudgeon ... ..	4
Control ... ..	23	Connecting Rod ... ..	4
Electric ... ..	31	Crankcases ... ..	5
Speedometer ... ..	32	Crankpin ... ..	4
<b>CARBURETTORS</b>		Cylinders ... ..	3
Air Cleaners ... ..	34	Cylinder Heads ... ..	3
Jets ... ..	9	Flywheels ... ..	4
Mixing Bodies ... ..	9	Gaskets ... ..	8
Valves ... ..	9	Oil Pump ... ..	6
<b>CARRIAGE</b> Charges ... ..	1	Push Rods ... ..	7
<b>CARRIERS</b>		Re-boring ... ..	4
Battery ... ..	21	Release Valve ... ..	7
Luggage ... ..	33	Rings, Piston ... ..	4
<b>CHAINS</b>		Rocker Box ... ..	7
Complete ... ..	10	Rocker Box Stay ... ..	8
Links ... ..	10	Rockers ... ..	7
<b>CORRESPONDENCE</b>		Tappets ... ..	6
Instructions ... ..	2	Timing Gear ... ..	6
<b>DAMPERS</b>		Valves ... ..	3
Rear Leg ... ..	14	<b>FORKS</b>	
<b>ELECTRICAL</b>		Front ... ..	16
Alternator ... ..	31	Front Assemblies ... ..	16
Battery ... ..	30	Rear ... ..	14
Battery Carriers ... ..	21	<b>FOOTRESTS</b>	
Bulbs ... ..	32	Pillion ... ..	21
Contact Breaker ... ..	31	Riders ... ..	21
Horns ... ..	30	<b>FRAME</b>	
Lamps, Head ... ..	30	Bolts ... ..	13
Lamps, Tail ... ..	30	Plates ... ..	28
Rotor ... ..	31	Front Frame ... ..	13
Sparking Plug ... ..	32	Rear Fork ... ..	14
		Rear Frame ... ..	13
		<b>GASKETS</b> Sets of ... ..	8

## (1) TERMS OF BUSINESS.

**Our terms are:—**CASH WITH ORDER.  
CASH AGAINST PRO-FORMA INVOICE, OR  
APPROVED LEDGER ACCOUNT.

Customers who wish to avoid delay can open deposit accounts and the usual deposit is £5.

Orders from abroad should be accompanied by a remittance to cover the costs of goods and postal charges.

We do not send goods by "CASH ON DELIVERY" (C.O.D.).

## (2) PRICES AND SPECIFICATIONS.

All prices, specifications and conditions are subject to alteration without notice. The prices of spares do not include the costs of packing and carriage.

## (3) CARRIAGE AND PACKING.

All invoices or spare parts will be SURCHARGED by 5 PER CENT. to cover the cost of packing and postage, or carriage, and the minimum surcharge is one shilling. (Home orders only).

A special packing case, or crate, is required for some spares to ensure freedom from damage in transit. In such circumstances a special charge for the value of the case, or crate, will be made in addition to the 5 per cent. surcharge but the special charge will be credited in full if the container is promptly returned to our factory carriage paid and in good condition.

## (4) HOW TO ORDER SPARES.

STATE:— (a) The Model of the machine.  
(b) The complete engine number. (See paragraph 5.)  
(c) The frame number. (See paragraph 5.)  
(d) The part of the spares required.  
(e) A description of each spare.  
(f) The quantity required of each item.  
(g) How the spares are to be sent. (Post, Parcels Post, Passenger Train or Goods Train.)  
(h) Your full name and address. These particulars are best written in BLOCK LETTERS.  
(i) Mention if, or not, you have an account with us.

ALSO:— Unless you have a deposit or ordinary account, enclose a remittance to cover the cost of the spares plus the 5 per cent. surcharge. (See paragraph 3.)

When cash is sent any excess will be refunded without prior application.

NOTE:— When sending orders by telegram or cable do not omit your name and address from the message.

## (5) IDENTITY.

To ensure the supply of correct spares it is essential we can identify the machine for which they are required. The ONLY WAY to do that is for us to know the COMPLETE ENGINE and frame numbers.

The engine number is stamped on the right side crankcase, behind the cylinder, and may have one or more letters incorporated in it. THE COMPLETE NUMBER MUST BE QUOTED.

The frame number is stamped on the right-hand side of the frame head lug.

## (6) SERVICE.

The **SERVICE AND REPAIR DEPARTMENT** is situated in **BURRAGE GROVE, PLUMSTEAD LONDON, S.E.18**, and is open on Mondays to Fridays from 8.30 a.m. to 12.55 p.m.—2 p.m. to 5.30 p.m. It is closed on Saturdays, Sundays and National Holidays.

It exists for the purpose of:—

- (a) Giving technical assistance verbally or through the Post.
- (b) Supplying spare parts over the counter or through the Post.
- (c) Repairing and re-conditioning machines, or parts of machines, of our make.

If it is considered necessary to bring a machine, or parts, to the factory for an urgent repair IT IS ESSENTIAL you make an appointment beforehand to avoid disappointment. This can be done by letter or telephone.

### **(7) REPAIRS.**

The instructions regarding repairs should be clear and definite, otherwise the cost may be greater than that expected. We shall be pleased to give estimates for repairs if parts are sent to us for that purpose. If the estimate is accepted, no charge is made for the preliminary examination, but, should it be decided not to have the work carried out, it may be necessary to make a charge to cover the cost of whatever dismantling and re-assembly may have been done to prepare the estimate.

### **(8) REPAIRS TO PROPRIETARY FITTINGS.**

We do not repair carburettors, chains, electrical equipment, saddles, sparking plugs, speedometers and tyres. On page 48 of the "**MAINTENANCE MANUAL AND INSTRUCTION BOOK**" will be found the names and addresses of the manufacturers of the proprietary equipment we fit, all of whom service and repair equipment they make.

### **(9) PATTERNS.**

Parts sent to us as patterns, or for repair, should have attached to them a label bearing the sender's full name and address. The instructions regarding such parts should be sent under separate cover.

### **(10) GUARANTEE.**

All parts made by us, and sold as spares, are subject to the same Limited Guarantee as that issued with each new motor cycle and that guarantee is printed in full on page 54 of the "**MAINTENANCE MANUAL AND INSTRUCTION BOOK.**"

### **(11) INSTRUCTION BOOK.**

A "**MAINTENANCE MANUAL AND INSTRUCTION BOOK**" has been compiled and published by us.

One copy is supplied free, upon receipt of Registration Form with each new motor cycle. Replacement copies **THREE SHILLINGS AND SIXPENCE** each.

### **(12) CORRESPONDENCE.**

Our routine is organised into different departments. Therefore delay cannot be avoided if matters relating to more than one department are contained in one letter.

Consequently when communicating with more than one department it is desirable to do so on **SEPARATE SHEETS**. Each sheet should bear the sender's name and address. **IN PARTICULAR**, requests for **TECHNICAL ADVICE** should not be on the same sheets as **ORDERS FOR SPARE PARTS**.

MATCHLESS MOTOR CYCLES,  
PLUMSTEAD, LONDON, S.E.18.

THE PRICES OF SPARES DO NOT  
INCLUDE THE COST OF CARRIAGE

### **N O T E**

The numbers, in brackets, that appear in the "**Description**" columns relate to the numbered footnotes regarding items so specially indicated.

The quantity per machine of each item are entered in the "**Qty.**" columns. "**R**" indicates as may be required.

The illustrations are not to scale and are not necessarily accurate in detail.

Some items are not illustrated.

PART NUMBER	DESCRIPTION	QTY.	USED ON	PRICE EACH £ s. d.
-------------	-------------	------	---------	-----------------------

### CYLINDER AND CYLINDER HEAD

042029	Barrel cylinder	1	G2 G2CS	
044016	Barrel, cylinder	1	G5	
042095	Washer, paper, cylinder base	1	All	
042580	Head, cylinder, with valve guides	1	G2	
043392	Head, cylinder, with valve guides	1	G2CS	
043387	Head, cylinder, with valve guides	1	G5	
042840	Gasket, cylinder head	1	All	
010643	Screw, needle adjusting inlet valve oil feed	1	All	
011373	Nut, lock, needle adjusting screw	1	All	
042155	Stud, cylinder, $\frac{3}{8}$ in. by 20 T.P.I. by 26 T.P.I.	4	G2 G2CS	
044006	Stud, cylinder, $\frac{3}{8}$ in. by 20 T.P.I. by 26 T.P.I.	4	G5	
042156	Nut, sleeve, cylinder stud, $\frac{3}{8}$ in. by 26 T.P.I.	4	All	
042157	Washer, cylinder stud sleeve nut, $\frac{1}{2}$ in.	4	All	
042196	Bolt, cylinder head $\frac{5}{16}$ in. by 22 T.P.I.	1	All	
000011	Washer, cylinder head bolt $\frac{5}{16}$ in.	1	All	
042232	Stud, carburetter $\frac{5}{16}$ in. by 20 T.P.I. by 26 T.P.I.	2	G2	
042710	Stud, carburetter $\frac{5}{16}$ in. by 20 T.P.I. by 26 T.P.I.	2	G2CS	
023429	Stud, carburetter $\frac{5}{16}$ in. by 20 T.P.I. by 26 T.P.I.	2	G5	
000004	Nut, carburetter stud	2	All	

### ENGINE VALVES

042032	Valve, inlet	1	G2 G2CS	
044002	Valve, inlet	1	G5	
042033	Valve, exhaust	1	G2 G5	
042868	Valve, exhaust	1	G2CS	
042068	Guide, inlet valve	1	All	
042069	Guide, exhaust valve	1	G2 G5	
042869	Guide, exhaust valve	1	G2CS	
011111	Circlip, valve guide	2	All	
024220	Spring, valve, narrow prong	2	G2 G5	
042148	Spring, valve, narrow prong	2	G2CS	
024219	Spring, valve, wide prong	2	G2 G5	
042149	Spring, valve, wide prong	2	G2CS	
013990	Collar, valve spring	2	All	
023355	Seat, valve spring	2	All	
042150	Collet, valve stem	2	G2 G5	
042150	Collet, valve stem inlet	1	G2CS	
042870	Collet, valve stem, exhaust	1	G2CS	

### PISTONS (Standard Size)

043320	Piston, complete	1	G2	
043203	Piston, complete	1	G2CS	
044054	Piston, complete	1	G5	
042848	Piston, bare	1	G2	
042242	Piston, bare	1	G2CS	
044007	Piston, bare	1	G5	
042222	Ring, compression, top, chrome	1	G2 G2CS	
024239	Ring, compression, top, chrome	1	G5	
042223	Ring, compression, plain	1	G2 G2CS	
024240	Ring, compression, plain	1	G5	
042224	Ring, scraper	1	G2 G2CS	
022229	Ring, scraper	1	G5	
042034	Pin, gudgeon	1	G2 G2CS	
022277	Pin, gudgeon	1	G5	
014283	Circlip, gudgeon pin	2	All	

### PISTONS (Oversize)

043322	Piston, complete, .020 in. oversize	1	G2	
043206	Piston, complete, .020 in. oversize	1	G2CS	
044055	Piston, complete, .020 in. oversize	1	G5	
043324	Piston, complete, .040 in. oversize	1	G2	

PART NUMBER	DESCRIPTION	QTY.	USED ON	PRICE EACH £ s. d.
<b>PISTONS (Oversize)—continued</b>				
043209	Piston, complete, .040 in. oversize	1	G2CS	...
044056	Piston, complete, .040 in. oversize	1	G5	...
043321	Piston, bare .020 in. oversize	1	G2	...
043212	Piston, bare .020 in. oversize	1	G2CS	...
044008	Piston, bare .020 in. oversize	1	G5	...
043323	Piston, bare .040 in. oversize	1	G2	...
043215	Piston, bare .040 in. oversize	1	G2CS	...
044009	Piston, bare .040 in. oversize	1	G5	...
043216	Ring, compression, top, chrome .020 in. oversize	1	G2	G2CS
024479	Ring, compression, top, chrome .020 in. oversize	1	G5	...
043217	Ring, compression, top, chrome .040 in. oversize	1	G2	G2CS
024480	Ring, compression, top, chrome .040 in. oversize	1	G5	...
043218	Ring, compression, plain .020 in. oversize	1	G2	G2CS
024481	Ring, compression, plain .020 in. oversize	1	G5	...
043219	Ring, compression, plain .040 in. oversize	1	G2	G2CS
024482	Ring, compression, plain .040 in. oversize	1	G5	...
043220	Ring, scraper .020 in. oversize	1	G2	G2CS
022319	Ring, scraper .020 in. oversize	1	G5	...
043221	Ring, scraper .040 in. oversize	1	G2	G2CS
022320	Ring, scraper .040 in. oversize	1	G5	...

## RE-BORING

Cylinders may be re-bored to .020 in. or to .040 in. oversize and normal compression pistons (with rings) (one chrome plated) supplied to suit.

G2  
G2CS  
G5

New gudgeon pins and circlips. G2 and G2CS                      Extra G5                      Extra

Cylinders sent for re-boring should be packed in stout cases which will be used by us for their return. Carriage is additional. If a complete machine, or engine, is sent to us for cylinder re-boring, there will be an additional charge, according to the time taken, for dismantling and assembly.

## FLYWHEELS

042020	Flywheel, bare, timing side	1	G2	...
042246	Flywheel, bare, timing side	1	G2CS	...
044068	Flywheel, bare, timing side	1	G5	...
042019	Flywheel, bare, driving side	1	G2	...
042245	Flywheel, bare, driving side	1	G2CS	...
044069	Flywheel, bare, driving side	1	G5	...
042001	Rod, connecting, with gudgeon pin bush	1	G2	G2CS
044023	Rod, connecting, with liner and gudgeon pin bush	1	G5	...
043388	Liner, for crankpin bearing	1	G5	...
042238	Bush, gudgeon pin	1	All	...
042006	Crankpin, only	1	G2	G2CS
044020	Crankpin, only	1	G5	...
042007	Cage, crankpin roller	1	G2	G2CS
020232	Cage, crankpin roller	1	G5	...
000075	Roller, crankpin	20	G2	G2CS
000075	Roller, crankpin	28	G5	...
000573	Key, crankpin	1	All	...
042248	Nut, crankpin	2	G2	G2CS
000233	Nut, crankpin	2	G5	...
042250	Washer, crankpin	2	G2CS	...
044070	Washer, crankpin	2	G5	...
042015	Axle, driving side flywheel	1	All	...
042173	Axle, timing side flywheel	1	All	...
041021	Key, timing and driving side flywheel axle	3	All	...



PART NUMBER	DESCRIPTION	QTY.	USED ON	PRICE EACH £ s. d.
<b>CRANKCASE</b>				
042013	Crankcase, complete (1)	1	G2	...
043363	Crankcase, complete (2)	1	G2CS	...
043364	Crankcase, complete (3)	1	G5	...
042008	Crankcase, driving side only (4) (6)	1	G2	...
042651	Crankcase, driving side only (4) (6)	1	G2CS	...
044013	Crankcase, driving side only (4) (6)	1	G5	...
042579	Crankcase, timing side only (5) (6)	1	G2	...
042653	Crankcase, timing side only (5) (6)	1	G2CS	...
044011	Crankcase, timing side only (5) (6)	1	G5	...
042054	Cover, timing side crankcase, with motif	1	G2 G5	...
042712	Cover, timing side, crankcase, with motif	1	G2CS	...
042812	Motif, for timing cover	1	All	...
000577	Dowel, timing side crankcase	4	All	...
042037	Screw, timing cover	4	All	...
042182	Housing, with bush, for camshaft	1	All	...
042171	Gasket, camshaft housing	1	All	...
042189	Bolt, short, camshaft housing	3	All	...
042193	Bolt, long, camshaft housing	1	All	...
000012	Washer, camshaft housing bolt	4	All	...
042201	Filter, magnetic	1	All	...
000182	Washer, metal magnetic filter	1	All	...

NOTE 1—Comprises 042008 and 042579.

NOTE 2—Comprises 042651 and 042653.

NOTE 3—Comprises 044013 and 044011.

NOTE 4—Comprises crankcase half only (no cylinder studs).

NOTE 5—Comprises crankcase half, four dowels, mainshaft bush, camshaft bush and cam follower spindle (no cylinder studs or timing cover).

NOTE 6—Halves of crankcase must be "Matched" at factory. Therefore, it is necessary to send the sound half of a crankcase when ordering a new half.

## CRANKCASE BEARINGS

042239	Bush, timing side axle	1	All	...
012233	Peg, securing timing side axle bush	1	All	...
042100	Bush, in crankcase, for camshaft	1	All	...
042101	Bush, camshaft housing	1	All	...
042183	Seal, oil camshaft housing	1	All	...
012542	Bearing, ball, for driving side axle	1	All	...

# GENUINE MATCHLESS SPARES

PURCHASED FROM

AN AUTHORISED "MATCHLESS" DEALER  
OR FROM THE FACTORY, ARE IDENTICAL  
WITH THE PARTS ORIGINALLY BUILT  
INTO YOUR MOTOR CYCLE

PART NUMBER	DESCRIPTION	QTY.	USED ON	PRICE EACH	
				£	s. d.
<b>TIMING GEAR</b>					
042090	Camshaft	1	All	...	...
042017	Gear, camshaft	1	All	...	...
042092	Key, woodruff, for camshaft gear	1	All	...	...
042071	Follower, camshaft	1	All	...	...
042082	Spindle, camshaft follower	1	All	...	...
042085	Spacer, centre, camshaft follower	1	All	...	...
042088	Spacer, outer, camshaft follower	1	All	...	...
042016	Pinion, timing, on flywheel axle	1	All	...	...
041021	Key, timing pinion	1	All	...	...
000230	Nut, retaining timing pinion to axle	1	All	...	...

### ENGINE PLATES AND CRANKCASE BOLTS

042036	Bolt, crankcase, long	1	All	...	...
042035	Bolt, crankcase, short	6	All	...	...
000011	Washer, crankcase bolt	7	All	...	...
042283	Cradle, engine support	1	G2	G5	...
042650	Cradle, engine support	1	G2CS	...	...
000275	Stud, front, engine cradle	1	All	...	...
000278	Stud, centre, engine cradle	1	All	...	...
000288	Stud, rear, engine cradle	1	All	...	...
000004	Nut, engine cradle stud	6	All	...	...
000011	Washer, engine cradle stud	6	All	...	...
042514	Channel, engine support	1	G2	...	...
042665	Channel, engine support	1	G2CS	...	...
044219	Channel, engine support	1	G5	...	...
042388	Plate, engine, rear, left	1	All	...	...
042474	Plate, engine, rear, right	1	All	...	...
000304	Stud, front, rear engine plate	1	All	...	...
042391	Stud, rear, rear engine plate	2	All	...	...
042392	Spacer, rear engine plate stud	1	All	...	...
000003	Nut, rear engine plate stud	6	All	...	...
000010	Washer, rear engine plate stud	6	All	...	...
042404	Cowling, rear engine plate	1	G2	...	...
042643	Cowling, rear engine plate	1	G2CS	...	...
044256	Cowling, rear engine plate	1	G5	...	...
042528	Screw, engine plate cowling	2	G2	G5	...
042528	Screw, engine plate cowling	1	G2CS	...	...
042472	Nut (trapped), engine plate cowling screw	1	G2	G5	...
042472	Nut (trapped), engine plate cowling screw	2	G2CS	...	...
000012	Washer, engine plate cowling screw	2	G2	G5	...
000012	Washer, engine plate, cowling screw	3	G2CS	...	...
042526	Screw, engine plate cowling/Tool Box	2	G2CS	...	...

### OIL PUMP

042104	Shaft, oil pump	1	All	...	...
042044	Plug, oil feed pump	1	All	...	...
042046	Screw, locating oil pump feed plug	1	All	...	...
042151	Washer, fibre, for locating screw	1	All	...	...
042177	"O" ring, oil feed plug	1	All	...	...
042045	Plug, scavenge, oil pump	1	All	...	...
042178	"O" ring oil pump scavenge plug	1	All	...	...
010138	Screw, guide, oil pump shaft	1	All	...	...
010079	Pin, oil pump guide screw	1	All	...	...

WHEN IN DOUBT REGARDING THE NAMES AND PART  
NUMBERS OF THE PARTS YOU REQUIRE, PLEASE SEND  
THE OLD PARTS TO SERVE AS PATTERNS

PART NUMBER	DESCRIPTION	QTY.	USED ON	PRICE EACH	
				£	s. d.
<b>OIL FILTER (in Engine)</b>					
042845	Filter, oil, assembled ... ..	1	All	...	...
042846	Ring, sealing, oil filter ... ..	1	All	...	...
042065	Washer, oil filter housing cap ... ..	1	All	...	...
<b>RELEASE VALVE</b>					
042219	Rotor, crankcase release ... ..	1	All	...	...
042220	Stator, crankcase release ... ..	1	All	...	...
042221	Tube, locating crankcase release ... ..	1	All	...	...
000201	Washer, fibre, crankcase release locating tube ... ..	1	All	...	...
017602	Key, woodruff, crankcase release ... ..	1	All	...	...
<b>PUSH ROD</b>					
042234	Rod, push, complete, assembled ... ..	2	G2	G2CS	...
044005	Rod, push, complete, assembled ... ..	2	G5	...	...
018168	Rod, push, bare ... ..	2	G2	G2CS	...
044004	Rod, push, bare ... ..	2	G5	...	...
042074	End, push rod, bottom ... ..	2	All	...	...
018266	End, push rod, top ... ..	2	All	...	...
000592	Adjuster, push rod ... ..	2	All	...	...
000216	Nut, lock, push rod, adjuster ... ..	2	All	...	...
<b>ROCKER BOX</b>					
043222	Rocker box, complete, with all fittings (1) ... ..	1	G2	...	...
043365	Rocker box, complete, with all fittings (2) ... ..	1	G5	G2CS	...
042079	Rocker box, only, with bushes (3) ... ..	1	G2	...	...
044034	Rocker box, only, with bushes (3) ... ..	1	G5	G2CS	...
042078	Rocker box, bare ... ..	1	G2	...	...
044033	Rocker box, bare ... ..	1	G5	G2CS	...
042163	Gasket, rocker box ... ..	1	All	...	...
017103	Bush, rocker box ... ..	4	All	...	...
042094	Cover, side, for rocker box ... ..	1	All	...	...
018890	Plugs, metering ... ..	3	All	...	...
042164	Fillet, rubber rocker box side cover ... ..	1	All	...	...
000251	Stud, fixing, rocker box side cover ... ..	3	All	...	...
000623	Nut, rocker box side cover stud ... ..	3	All	...	...
000205	Washer, fibre, rocker box side cover stud ... ..	3	All	...	...
042081	Shaft, rocker ... ..	2	All	...	...
042076	Sleeve, rocker shaft ... ..	2	All	...	...
012722	Washer, felt, rocker shaft ... ..	4	All	...	...
042043	Arm, rocker, tappet end ... ..	2	All	...	...
042041	Arm, rocker, valve end, inlet ... ..	1	All	...	...
042042	Arm, rocker, valve end, exhaust ... ..	1	G2	...	...
044036	Arm, rocker, valve end, exhaust ... ..	1	G5	G2CS	...
000010	Washer, plain, rocker axle ... ..	4	All	...	...
000003	Nut, rocker axle ... ..	4	All	...	...
NOTE 1—includes all parts listed in this paragraph (except gasket).					
NOTE 2—Includes all parts listed in this paragraph and "Valve lifter parts" (except gasket).					
NOTE 3—This is a "Bare" rocker box to which is fitted four 017103 bushes, four 012722 felt rings and three 018890 metering plugs.					
<b>VALVE LIFTER</b>					
013969	Lever, exhaust valve lifter (in rocker box) ... ..	1	G5	G2CS	...
044035	Spring, for valve lifter lever ... ..	1	G5	G2CS	...
000451	Screw, anchor, valve lifter lever spring ... ..	1	G5	G2CS	...
000039	Washer, plain, valve lifter lever spring screw ... ..	1	G5	G2CS	...
014523	Ring, sealing, for valve lifter lever ... ..	1	G5	G2CS	...

PART NUMBER	DESCRIPTION	QTY.	USED ON	PRICE EACH	
				£	s. d.

### ROCKER BOX BOLTS

042102	Bolt, rocker box fixing, short	1	All	...
042103	Bolt, rocker box fixing, medium	4	All	...
015354	Bolt, rocker box fixing, long	2	All	...
015355	Bolt, rocker box fixing, with extension	2	All	...
000011	Washer, plain, rocker box fixing bolt	9	All	...

### ROCKER BOX STAY

042251	Stay, rocker box	1	G2	G5
042669	Stay, rocker box	1	G2CS	...
000004	Nut, fixing stay to rocker box bolt extension	2	All	...
000011	Washer, Plain, rocker box bolt extension	2	All	...
000376	Bolt (through frame) rocker box stay	1	G2	G5
000374	Bolt (through frame) rocker box stay	1	G2CS	...
000004	Nut, rocker box stay/frame bolt	1	All	...
000011	Washer, rocker box stay/frame bolt	1	All	...

### GASKETS

Engine gaskets are supplied as separate spares and in complete sets.  
Single gaskets are listed in the groups to which they belong.

043309	Gaskets, complete set	1	All	...
043310	Gaskets, decarbonising set, only	1	All	...

### EXHAUST PIPE

042543	Pipe, exhaust, only	1	G2	...
042715	Pipe, exhaust, only	1	G2CS	...
044040	Pipe, exhaust, only	1	G5	...
042541	Bracket, exhaust pipe mounting	1	G2	G5
011091	Stay, exhaust pipe mounting	1	G2CS	...
000004	Nut, exhaust pipe fixing	1	All	...
000011	Washer, exhaust pipe fixing	1	All	...

### SILENCER

042517	Silencer, only	1	G2	G5
042902	Silencer, only	1	G2CS	...
000004	Nut, fixing silencer	1	All	...
000011	Washer, plain, silencer fixing nut	1	All	...
014117	Washer, spring, silencer fixing nut	1	All	...
042700	Bracket, silencer	1	G2CS	...
000362	Bolt, silencer bracket	1	G2CS	...
000004	Nut, silencer bracket bolt	1	G2CS	...
000011	Washer, plain, silencer bracket bolt	2	G2CS	...
000347	Bolt, silencer clamping lug	1	All	...
000005	Nut, silencer clamping lug bolt	1	All	...
024558	Washer, silencer clamping lug bolt	2	All	...

### CARBURETTER

042197	Carburetter (less controls)	1	G2	...
042925	Carburetter (less controls)	1	G2CS	...
044028	Carburetter (less controls)	1	G5	...
018503	"O" ring, carburetter flange	1	All	...
041014	"O" ring, carburetter spacer	1	G2	G5
041014	"O" ring, carburetter spacer	2	G2CS	...
042187	Spacer, carburetter	1	G2	...
042187	Spacer, carburetter	2	G2CS	...
044003	Spacer, carburetter	1	G5	...
042235	Extension, Venturi	1	G2	G2CS
044029	Extension, Venturi	1	G5	...
000004	Nut, carburetter fixing stud	2	All	...
376-003	Body, only, carburetter	1	G2	G2CS

PART NUMBER	DESCRIPTION	QTY.	USED ON	PRICE EACH £ s. d.
-------------	-------------	------	---------	-----------------------

### CARBURETTER—continued

389-002	Body, only, carburetter	1	G5	...
376-077	Cover, side	1	All	...
376-078	Washer, side cover	1	All	...
376-079	Screw, side cover	3	All	...
376-094	Bush, for float spindle	1	All	...
376-089	Needle, float	1	All	...
376-088	Seating, float needle	1	All	...
376-065	Ring, securing mixing chamber cap	1	G2	G2CS
389-065	Ring, securing mixing chamber cap	1	G5	...
4-235	Spring, mixing chamber cap securing ring	1	G2	G2CS
29-201	Spring, mixing chamber cap securing ring	1	G5	...
4-241	Screw, securing ring spring	1	All	...
376-064	Cap, mixing chamber	1	G2	G2CS
389-064	Cap, mixing chamber	1	G5	...
4-035	Adjuster, control cables	2	All	...
376-062	Valve, air	1	G2	G2CS
389-062	Valve, air	1	G5	...
6-047	Guide, air valve	1	G2	G2CS
29-057	Guide, air valve	1	G5	...
376-060	Valve, throttle, size 3½	1	G2	...
376-060	Valve, throttle, size 3	1	G2CS	...
389-060	Valve, throttle, size 3½	1	G5	...
376-061	Spring, throttle valve	1	G2	G2CS
389-061	Spring, throttle valve	1	G5	...
4-046	Spring, air valve	1	All	...
376-083	Float, only	1	All	...
376-068	Screw, throttle stop	1	All	...
376-069	Spring, throttle stop screw	1	All	...
332-017	Screw, pilot, air adjusting	1	All	...
4-148	Spring, pilot air adjusting screw	1	All	...
376-063	Needle, taper	1	G2	G2CS
389-063	Needle, taper	1	G5	...
4-230	Clip, taper needle	1	All	...
376-072	Needle, jet size 106	1	G2	G5
376-072	Needle, jet size 107	1	G2CS	...
376-073	Holder, main jet	1	All	...
376-100	Jet, main size 180	1	G2	G2CS
376-100	Jet, main size 220	1	G5	...
376-074	Washer, main jet holder	1	All	...
376-075	Cover, main jet	1	All	...
376-076	Jet, pilot, size 025	1	G2	G2CS
376-076	Jet, pilot, size 029	1	G5	...
376-095	Nut, pilot jet cover	1	All	...
116-162	Washer, pilot jet cover nut	1	All	...
376-057	Choke, or jet block, 1/16 in.	1	G2	G2CS
389-056	Choke, or jet block, 1/8 in.	1	G5	...
376-067	Washer, jet, block	1	All	...
376-070	Peg, for jet block	1	All	...
376-127	Banjo, petrol pipe	1	All	...
376-091	Bolt, petrol pipe banjo	1	All	...
376-092	Washer, petrol pipe banjo bolt	1	All	...
376-093	Gauze, filter	1	All	...
343-011	Body, tickler	1	All	...
376-086	Plunger, tickler	1	All	...
376-087	Spring, tickler	1	All	...

### ENGINE SPROCKET

042209	Sprocket, engine, 21 teeth (standard fitting)	1	G2	...
042717	Sprocket, engine, 17 teeth (standard fitting)	1	G2CS	...
044057	Sprocket, engine, 22 teeth (standard fitting)	1	G5	...
044058	Shim, engine sprocket	R	G5	...

PART NUMBER	DESCRIPTION	QTY.	USED ON	PRICE EACH £ s. d.
<b>CHAINS</b>				
042184	Chain, front, 73 links, in. by .225 in.	1	G2	...
042722	Chain, front, 55 links, in. by .205 in.	1	G2CS	...
044059	Chain, front, 72 links, in. by .225 in.	1	G5	...
042194	Chain, rear, 125 links, in. by .305 in.	1	G2	...
042742	Chain, rear, 131 links, in. by .305 in.	1	G2CS	...
044046	Chain, rear, 123 links, in. by .305 in.	1	G5	...
110038-26	Link, connecting, front chain	R	G2	...
110044-26	Link, connecting, front chain	R	G2CS	...
114038-26	Link, connecting, front chain	R	G5	...
110-038-30	Link, cranked, double, front chain	R	G2	...
110-044-30	Link, cranked, double, front chain	R	G2CS	...
114-038-30	Link, cranked, double, front chain	R	G5	...
110038-27	Clip, spring, for 110038-26 connecting link	R	G2	...
110044-27	Clip, spring, for 110044-26 connecting link	R	G2CS	...
114038-27	Clip, spring, for 114038-26 connecting link	R	G5	...
110046-26	Link, connecting, rear chain	R	All	...
110046-30	Link, cranked, double, rear chain	R	All	...
110046-27	Clip, spring, for 110046-26 connecting link	R	All	...

The prices of front and rear chains include spring connecting links and these are also included in the number of links per chain.

WE DO NOT SELL ODD LENGTHS OF CHAIN.

### GEAR BOX FIXING PARTS

042402	Strap, gear box	2	All	...
016103	Stud, gear box strap	1	All	...
000074	Nut, gear box strap stud	2	All	...
000011	Washer, gear box strap stud	2	All	...
042396	Bolt, gear box strap	2	All	...
042397	Crosshead, gear box strap bolt	1	All	...
042398	Trunnion, gear box strap	2	All	...
042937	Adjuster, gear box	1	All	...
000011	Washer, gear box adjuster	2	All	...
041124	Nut, gear box adjuster	2	All	...
042938	Bolt, top, gear box adjuster	1	All	...
042399	Spacer, gear box top bolt	2	All	...
000002	Nut, gear box top bolt	1	All	...
000009	Washer, gear box top bolt	2	All	...

### GEAR BOX SHELL

042132	Shell, gear box, bare	1	All	...
042135	Case, inner, only, bare	1	All	...
042139	Cover, outer, only, bare	1	All	...
042158	Gasket, for inner case	1	All	...
042159	Gasket, for outer cover	1	All	...
040138	Plug, drain, gear box shell	1	All	...
000200	Washer, fibre, gear box drain plug	1	All	...
042137	Pin, dowel, for inner case	2	All	...
042153	Cover, inspection	1	All	...
042154	Gasket, inspection cover	1	All	...
000451	Screw, inspection cover	2	All	...
041468	Pin, stop, in inner case, for kickstart	1	All	...
041085	Screw, for outer cover	6	All	...

BEFORE ORDERING SPARES

PLEASE NOTE THE INFORMATION GIVEN ON PAGES

ONE AND TWO

PART NUMBER	DESCRIPTION	QTY.	USED ON	PRICE EACH £ s. d.
-------------	-------------	------	---------	-----------------------

### SHAFTS AND GEARS

041701	Mainshaft, gear box	1	G5	...
041263	Mainshaft, gear box	1	G2	G2CS
041288	Layshaft, gear box	1	All	...
041273	Gear, driving, main, with bushes	1	G2	G5
042682	Gear, driving, main, with bushes	1	G2CS	...
041276	Gear, third, mainshaft	1	All	...
041277	Gear, second, mainshaft	1	All	...
041279	Gear, first, mainshaft	1	G2	G5
041197	Gear, first, mainshaft	1	G2CS	...
041290	Gear, fourth, layshaft	1	G2	G5
042683	Gear, fourth, layshaft	1	G2CS	...
041277	Gear, third, layshaft	1	All	...
041276	Gear, second, layshaft	1	All	...
041291	Gear, first, layshaft	1	G2	G5
041198	Gear, first, layshaft	1	G2CS	...
041275	Bush, main driving gear	2	All	...

### GEAR BOX BEARINGS AND OIL SEALS

041266	Bearing, roller, in shell, for main driving gear	1	All	...
012545	Bearing, ball, in inner case, for mainshaft	1	All	...
041265	Nut, mainshaft bearing	1	All	...
041267	Oil-seal, main gear bearing	1	All	...
040006	Oil-Seal, "O" ring, footchange spindle	1	All	...
040079	Oil-Seal, "O" ring, ratchet spindle	2	All	...
041289	Bush, for layshaft, in shell	1	All	...
041307	Bush, for footchange ratchet shaft, in shell	1	All	...
041298	Bush, for kickstart, in inner case	1	All	...
041299	Bush, for footchange ratchet shaft, in inner case	1	All	...
042145	Bush, for footchange, in outer cover	1	All	...
041102	Bush, for kickstart, in outer cover	1	All	...
041395	Cap, end, layshaft bush	1	All	...
042899	Washer, lock, mainshaft bearing nut	1	All	...

### GEAR BOX SPROCKET

041269	Sprocket, gear box, final drive, 19 teeth (standard fitting)	1	G2	...
041255	Sprocket, gear box, final drive, 17 teeth (standard fitting)	1	G2CS	...
041268	Sprocket, gear box, final drive, 18 teeth (standard fitting)	1	G5	...
041270	Sprocket, gear box, final drive, 20 teeth	1	All	...
041391	Spacer for gear box, final drive sprocket	1	All	...
041271	Nut, lock, gear box final drive sprocket	1	All	...
041272	Washer, lock, gear box final drive sprocket nut	1	All	...

### GEAR OPERATING PARTS

041341	Fork, selector, mainshaft	1	All	...
041343	Fork, selector, layshaft	1	All	...
041345	Shaft, selector fork	1	All	...
042835	Plunger, cam segment	1	All	...
040045	Spring, cam segment plunger	1	All	...
041335	Bolt, cam segment plunger	1	All	...
041521	Plate, footchange stop	1	All	...
041400	Bolt, footchange stop plate	2	All	...
014117	Washer, shakeproof footchange stop plate bolt	2	All	...
042147	Shaft, assembly, footchange ratchet	1	All	...
041332	Shaft, only, footchange ratchet	1	All	...
042146	Spindle, only, footchange ratchet shaft	1	All	...
041334	Segment, only, footchange ratchet shaft	1	All	...
041393	Circlip, footchange ratchet shaft	1	All	...
041394	Cap, end, footchange ratchet shaft	1	All	...
041389	Washer, large, footchange ratchet shaft	1	All	...
041390	Washer, small, footchange ratchet shaft	1	All	...
041340	Nut, footchange ratchet shaft	1	All	...
042946	Washer, shim, for cam segment	2	All	...

PART NUMBER	DESCRIPTION	QTY.	USED ON	PRICE EACH £ s. d.
<b>GEAR OPERATING PARTS—continued</b>				
041283	Ratchet, footchange ... ..	1	All	...
041326	Pawl, footchange ratchet ... ..	1	All	...
042144	Carrier, footchange pawl ... ..	1	All	...
041322	Pin, footchange pawl carrier ... ..	1	All	...
041285	Circlip, footchange pawl carrier ... ..	1	All	...
041328	Spring, return, footchange pawl carrier ... ..	1	All	...
041640	Washer, footchange pawl carrier return spring ... ..	1	All	...
041327	Spring, footchange pawl ... ..	1	All	...
041323	Washer, inner, footchange pawl spring ... ..	1	All	...
041311	Lever, footchange ... ..	1	All	...
040086	Rubber, footchange lever ... ..	1	All	...
040105	Bolt, clamping, footchange lever ... ..	1	All	...
000005	Nut, footchange lever clamping bolt ... ..	1	All	...
000012	Washer, footchange lever clamping bolt ... ..	1	All	...
041467	Cap, end, footchange lever ... ..	1	All	...
040051	Indicator, gear ... ..	1	All	...
040137	Bolt, gear indicator ... ..	1	All	...
000012	Washer, gear indicator bolt ... ..	1		...

### KICKSTART

042130	Shaft, assembled kickstart ... ..	1	All	...
041469	Bush, kickstart shaft ... ..	1	All	...
042900	Circlip, kickstart shaft ... ..	1	All	...
042901	Washer, kickstart shaft ... ..	1	All	...
041300	Ratchet, kickstart ... ..	1	All	...
041358	Spring, kickstart ratchet ... ..	1	All	...
041301	Washer, thrust, kickstart shaft ... ..	1	All	...
040043	Spring, return, kickstart ... ..	1	All	...
041176	Crank, only, kickstart ... ..	1	G2 G5	...
042933	Crank, only, kickstart ... ..	1	G2CS	...
040431	Pin, pedal, kickstart ... ..	1	All	...
040432	Nut, domed, pedal pin ... ..	1	All	...
040433	Washer, spring steel, pedal pin nut ... ..	1	All	...
000010	Washer, plain, pedal pin nut ... ..	1	All	...
000367	Bolt, clamping, kickstart to axle ... ..	1	All	...
000004	Nut, kickstart, clamping bolt ... ..	1	All	...
000011	Washer, kickstart clamping bolt ... ..	1	All	...

### CLUTCH

043197	Sprocket and case, assembled... ..	1	G2	...
043170	Sprocket and case, assembled... ..	1	G2CS	...
043340	Sprocket and case, assembled... ..	1	G5	...
043198	Case, only, clutch ... ..	1	G2	...
043172	Case, only, clutch ... ..	1	G2CS G5	...
043200	Rivet, for clutch case ... ..	6	All	...
043185	Centre, clutch ... ..	1	G2	...
043173	Centre, clutch ... ..	1	G2CS	...
043337	Centre, clutch ... ..	1	G5	...
043192	Plate, friction, clutch, double side ... ..	2	G2	...
043192	Plate, friction, clutch, double side ... ..	3	G2CS	...
043192	Plate, friction, clutch, double side ... ..	4	G5	...
043194	Plate, friction, clutch, single side ... ..	1	G2 G2CS	...
043193	Plate, friction, clutch, single side ... ..	1	G2 G2CS	...
043191	Plate, steel, clutch ... ..	3	G2	...
043191	Plate, steel, clutch ... ..	4	G2CS G5	...
040365	Plate, pressure, clutch ... ..	1	G2 G2CS	...
043362	Plate, pressure, clutch ... ..	1	G5	...
043195	Plate, back, clutch ... ..	1	G2 G2CS	...
043341	Plate, back, clutch ... ..	1	G5	...
040360	Adjuster, clutch pressure plate ... ..	1	All	...
040376	Nut, clutch pressure plate adjuster ... ..	1	All	...



PART NUMBER	DESCRIPTION	QTY.	USED ON	PRICE EACH £ s. d.
<b>CLUTCH—continued</b>				
043189	Stud, clutch spring ... ..	3	G2	...
043174	Stud, clutch spring ... ..	3	G2CS	...
043338	Stud, clutch spring ... ..	3	G5	...
040356	Nut, clutch spring stud ... ..	3	All	...
040388	Cup, clutch spring ... ..	3	All	...
040385	Spring, for clutch ... ..	3	All	...
040389	Nut, adjusting clutch spring ... ..	3	All	...
043196	Plate, race ... ..	1	G2	G2CS
043339	Plate, race ... ..	1	G5	...
043190	Cage, for clutch centre roller ... ..	1	All	...
040557	Roller, clutch centre ... ..	15	All	...
043186	Centre, shock absorber ... ..	1	All	...
040386	Rubber, large, shock absorber centre ... ..	3	All	...
040387	Rubber, small, shock absorber centre ... ..	3	All	...
043187	Plate, cover, shock absorber centre ... ..	1	G2	G5
040362	Plate, cover, shock absorber centre ... ..	1	G2CS	...
043188	Screw, shock absorber cover plate ... ..	3	All	...
041265	Nut retaining clutch centre ... ..	1	All	...
041398	Washer, spring, clutch centre retaining nut ... ..	1	All	...

### CLUTCH OPERATING PARTS

042208	Rod, thrust, clutch ... ..	1	G2	...
042725	Rod, thrust, clutch ... ..	1	G2CS	G5
042141	Body, operator, clutch ... ..	1	All	...
042142	Lever, clutch operator body ... ..	1	All	...
042143	Pin, clutch operator body ... ..	1	All	...
011645	Ball, clutch operator body, $\frac{3}{8}$ in. dia. ... ..	1	All	...
041280	Ring, lock, clutch operator body ... ..	1	All	...
041305	Peg, locating, clutch operator body ... ..	1	All	...

### FRONT AND REAR FRAME

042861	Frame, front, bare ... ..	1	G2	...
042602	Frame, front, bare ... ..	1	G2CS	...
044205	Frame, front, bare ... ..	1	G5	...
043238	Race, frame head lug, top and Bottom ... ..	2	G2	...
042610	Race, frame head lug, top ... ..	1	G2CS	G5
042611	Race, frame head lug, bottom ... ..	1	G2CS	G5
042307	Frame, rear, bare ... ..	1	G2	G5
042593	Frame, rear, bare ... ..	1	G2CS	...
042459	Stud, front engine lug ... ..	1	All	...
000003	Nut, front engine lug stud ... ..	2	All	...
000010	Washer, front engine lug stud ... ..	2	All	...
042446	Rod, seat tube (to engine cradle) ... ..	1	G2	...
042693	Rod, seat tube and brake pedal ... ..	1	G2CS	...
044337	Rod seat tube (to engine cradle) ... ..	1	G5	...
044338	Nut, seat tube rod ... ..	1	G5	...
042460	Stud, bottom, rear frame ... ..	1	G2	G5
019686	Stud, bottom, rear frame ... ..	1	G2CS	...
000003	Nut, bottom, rear frame stud ... ..	2	All	...
000010	Washer, bottom rear frame stud ... ..	2	All	...
042607	Spacer, top, rear frame ... ..	2	G2CS	...
042606	Spacer, bottom, rear frame ... ..	2	G2CS	...
021767	Stud, twin seat/frame uniting ... ..	1	G2	G5
000330	Stud, twin seat/ frame uniting ... ..	1	G2CS	...
000001	Nut, twin seat/frame uniting stud ... ..	2	All	...
000008	Washer, twin seat/ frame uniting stud ... ..	2	All	...

BY USING GENUINE SPARES YOU ARE ASSURED THEY  
WILL FIT ACCURATELY AND GIVE SATISFACTORY SERVICE

PART NUMBER	DESCRIPTION	QTY.	USED ON	PRICE EACH £ s. d.
<b>REAR FORK</b>				
042344	Fork, assembly, rear (1)	1	G2 G5	
042827	Fork, assembly rear (2)	1	G2CS	...
042371	Tube, bare, rear fork, left ("A")	1	G2 G5	
042820	Tube, bare, rear fork, left ("B")	1	G2CS	...
042372	Tube, assembly, with spindle, rear fork, right ("A")	1	G2 G5	
042821	Tube, assembly, with spindle, rear fork, right ("B")	1	G2CS	...
042363	Bush, rear fork spindle	2	All	...
042362	Washer, felt, rear fork spindle	2	All	...
042360	Pin, cotter, rear fork spindle ("A")—"B")	1	All	...
023281	Nut, "Simmonds" rear fork spindle cotter pin ("A")—"B")	1	All	...
000010	Washer, rear fork spindle cotter pin ("A")—"B")	1	All	...
000051	Nipple, grease	1	All	...
042361	Screw, chain adjuster	2	All	...
011373	Nut, lock, chain adjuster	2	All	...
000485	Plug, bearing spindle	1	G2CS	...
000203	Washer, fibre, bearing spindle plug	1	G2CS	...

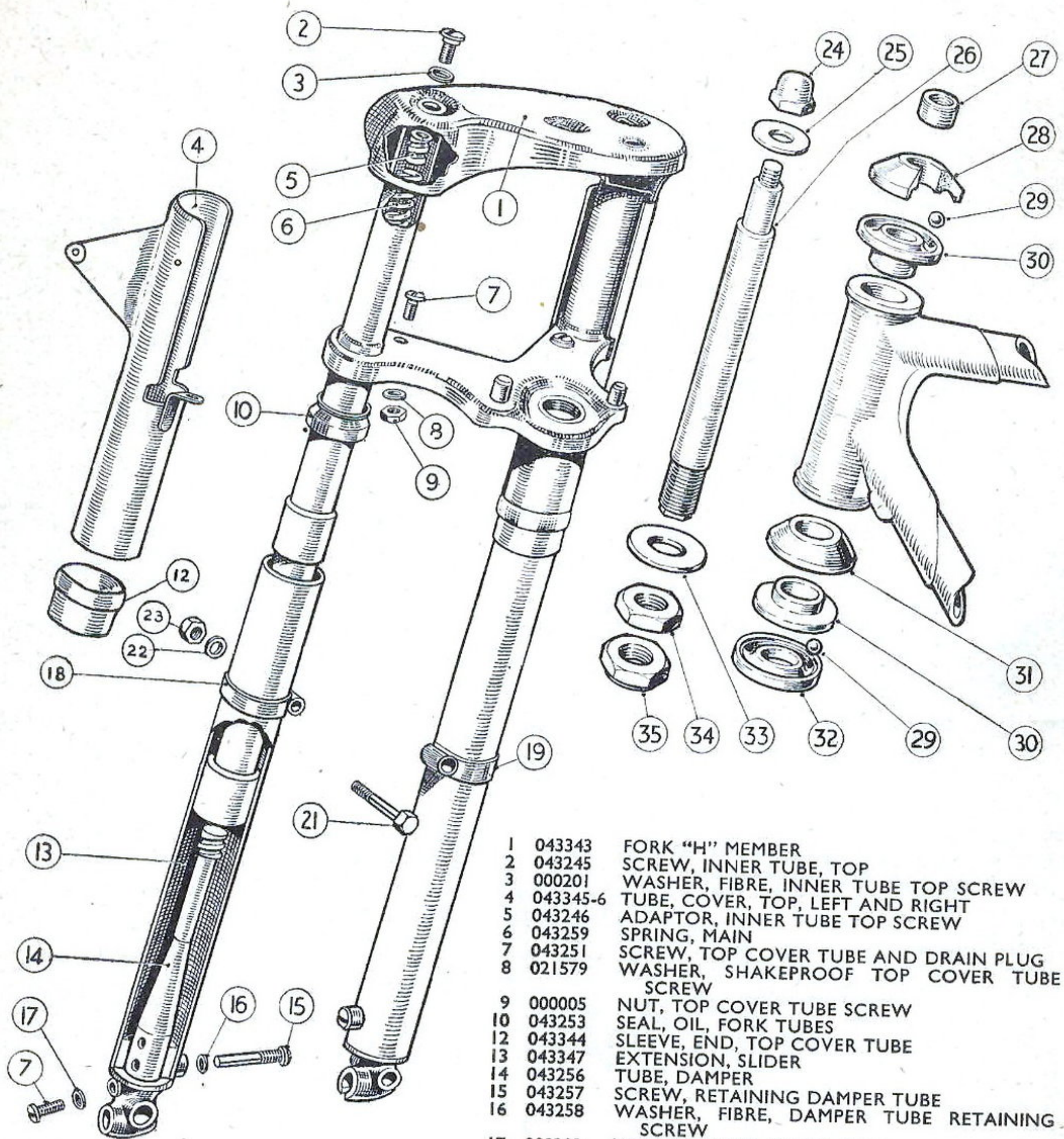
NOTE 1—Comprises all parts marked "A".

NOTE 2—Comprises all parts marked "B".

### REAR SUSPENSION UNIT

042370	Unit, complete, frame stay	2	G2	...
042599	Unit, complete, frame stay	2	G2CS	...
044220	Unit, complete, frame stay	2	G5	...
043311	Unit, damper, inner assembly	2	G2	...
043175	Unit, damper, inner assembly	2	G2CS	...
043177	Unit, damper, inner assembly	2	G5	...
024445	Cover, top, frame stay	2	All	...
023481	Cover, bottom, frame stay	2	All	...
023479	Clips, top cover tube	4	All	...
043312	Spring, main	2	G2	...
043178	Spring, main	2	G2CS	...
043179	Spring, main	2	G5	...
043313	Sleeve, assembly, with rubber bush, top and bottom	4	All	...
042677	Bolt, top, frame stay	2	G2CS	...
000004	Nut, top, frame stay stud	2	G2 G5	
022083	Nut, top frame stay bolt	2	G2CS	...
000011	Washer, top frame stay stud	2	G2 G5	
000174	Washer, top frame stay bolt	2	G2CS	...
042678	Bolt, bottom, frame stay	2	G2CS	...
022083	Nut, bottom frame stay bolt or stud	2	All	...
000011	Washer, bottom frame stay stud	2	G2 G5	
000174	Washer, bottom frame stay bolt	2	G2CS	...

ALWAYS INCLUDE ALL THE LETTERS  
WHEN QUOTING THE ENGINE NUMBER



250 c.c. Front Forks

- |    |          |  |
|----|----------|--|
| 1  | 043343   | FORK "H" MEMBER                            |
| 2  | 043245   | SCREW, INNER TUBE, TOP                     |
| 3  | 000201   | WASHER, FIBRE, INNER TUBE TOP SCREW        |
| 4  | 043345-6 | TUBE, COVER, TOP, LEFT AND RIGHT           |
| 5  | 043246   | ADAPTOR, INNER TUBE TOP SCREW              |
| 6  | 043259   | SPRING, MAIN                               |
| 7  | 043251   | SCREW, TOP COVER TUBE AND DRAIN PLUG       |
| 8  | 021579   | WASHER, SHAKEPROOF TOP COVER TUBE SCREW    |
| 9  | 000005   | NUT, TOP COVER TUBE SCREW                  |
| 10 | 043253   | SEAL, OIL, FORK TUBES                      |
| 12 | 043344   | SLEEVE, END, TOP COVER TUBE                |
| 13 | 043347   | EXTENSION, SLIDER                          |
| 14 | 043256   | TUBE, DAMPER                               |
| 15 | 043257   | SCREW, RETAINING DAMPER TUBE               |
| 16 | 043258   | WASHER, FIBRE, DAMPER TUBE RETAINING SCREW |
| 17 | 000203   | WASHER, FIBRE, DRAIN PLUG                  |
| 18 | 043260   | CLIP, MUDGUARD ATTACHMENT, LEFT            |
| 19 | 043261   | CLIP, MUDGUARD ATTACHMENT, RIGHT           |
| 21 | 000373   | BOLT, MUDGUARD ATTACHMENT CLIP             |
| 22 | 000011   | WASHER, MUDGUARD ATTACHMENT CLIP BOLT      |
| 23 | 000004   | NUT, MUDGUARD ATTACHMENT CLIP BOLT         |
| 24 | 043262   | NUT, DOMED, HEAD STEM, TOP                 |
| 25 | 043263   | WASHER, HEAD STEM TOP DOMED NUT            |
| 26 | 043235   | STEM, HEAD                                 |
| 27 | 043236   | SPACER, HEAD STEM                          |
| 28 | 043240   | RACE, ADJUSTING TOP                        |
| 29 | 000021   | BEARINGS, BALL, HEAD RACES                 |
| 30 | 043238   | RACE, FRAME HEAD LUG, TOP AND BOTTOM       |
| 31 | 043241   | COVER, DUST, BOTTOM BALL RACE              |
| 32 | 043239   | RACE, FORK CROWN, BOTTOM                   |
| 33 | 043244   | WASHER, HEAD STEM BOTTOM NUTS              |
| 34 | 043242   | NUT, ADJUSTING, HEAD STEM, BOTTOM          |
| 35 | 043243   | NUT, LOCK, HEAD STEM, BOTTOM               |

PART NUMBER	DESCRIPTION	QTY.	USED ON	PRICE EACH £ s. d.
<b>FRONT FORK—G2</b>				
042851	Forks, complete, assembled ... ..	1	G2	...
043343	"H" member, only, bare, front fork ... ..	1	G2	...
043235	Stem, head, only ... ..	1	G2	...
043236	Spacer, for head stem ... ..	1	G2	...
043237	Shim, for head stem ... ..	3	G2	...
043239	Race, fork crown, bottom ... ..	1	G2	...
043240	Race, adjusting, top ... ..	1	G2	...
000021	Bearing, ball, for head race, $\frac{1}{2}$ in. dia. ... ..	Set of 34	G2	...
043241	Cover, dust, bottom ball race ... ..	1	G2	...
043242	Nut, adjusting head stem, bottom ... ..	1	G2	...
043243	Nut, lock, head stem, bottom ... ..	1	G2	...
043244	Washer, head stem, bottom ... ..	1	G2	...
043262	Nut, domed, head stem, top ... ..	1	G2	...
043263	Washer, head stem top domed nut ... ..	1	G2	...
043245	Screw, inner tube, top ... ..	2	G2	...
043246	Adaptor, inner tube top screw ... ..	2	G2	...
000201	Washer, fibre, inner tube top screw ... ..	2	G2	...
043345	Tube, cover, top, left ... ..	1	G2	...
043346	Tube, cover, top, right ... ..	1	G2	...
043344	Sleeve, end, top cover tube ... ..	2	G2	...
000005	Nut, top cover tube screw ... ..	2	G2	...
043251	Screw, top cover tube ... ..	2	G2	...
021579	Washer, shakeproof, top cover tube screw ... ..	2	G2	...
043253	Seal, oil, fork inner tube ... ..	2	G2	...
043347	Extension slider ... ..	2	G2	...
000485	Screw, drain ... ..	2	G2	...
000203	Washer, fibre, drain screw ... ..	2	G2	...
043256	Tube, damper ... ..	2	G2	...
043257	Screw, retaining damper tube ... ..	2	G2	...
043258	Washer, fibre, damper tube retaining screw ... ..	2	G2	...
043259	Spring, main ... ..	2	G2	...
043260	Clip, mudguard attachment, left ... ..	1	G2	...
043261	Clip, mudguard attachment, right ... ..	1	G2	...
000373	Bolt, mudguard attachment clip ... ..	2	G2	...
000004	Nut, mudguard attachment clip bolt ... ..	2	G2	...
000011	Washer, mudguard attachment clip bolt ... ..	2	G2	...

### FRONT FORK—G2CS, G5

043315	Fork, front, assembly, complete ... ..	1	G2CS	...
043366	Fork, front, assembly, complete ... ..	1	G5	...
018583	Fork, front, inner tube assembly ... ..	1	G2CS	...
043367	Fork, front, inner tube assembly ... ..	1	G5	...
018329	Fork, front, damper tube assembly ... ..	1	G2CS G5	...
018570	Crown, assembly (comprising: crown, stem and circlip) ... ..	1	G2CS	...
018540	Crown, assembly (comprising: crown, stem and circlip) ... ..	1	G5	...
000805	Race, ball, for fork crown ... ..	1	G2CS G5	...
018649	Screw, pinch, for fork crown ... ..	2	G2CS G5	...
018309	Lug, for handlebar and steering head ... ..	1	G2CS	...
043368	Lug, for handlebar and steering head ... ..	1	G5	...
012620	Race, ball, handlebar lug ... ..	1	G2CS G5	...
000051	Nipple, grease, for handlebar lug ... ..	1	G2CS G5	...
000236	Nut, adjusting fork crown stem ... ..	1	G2CS G5	...
010712	Nut, lock (dome) fork crown stem ... ..	1	G2CS G5	...
000072	Bearing, ball, for head race, $\frac{3}{16}$ in. dia. ... ..	Set of 56	G2CS G5	...
016377	Tube, fork, inner ... ..	2	G2CS	...
016322	Tube, fork, inner ... ..	2	G5	...
016148	Buffer, rubber, fork inner tube ... ..	6	G2CS G5	...
010692	Bush, bottom, fork inner tube ... ..	2	G2CS G5	...
010710	Circlip, fork inner tube bottom bush ... ..	2	G2CS G5	...
016718	Bolt, top, fork inner tube ... ..	2	G2CS G5	...
014355	Ring, sealing, fork inner tube top bolt ... ..	2	G2CS G5	...
010709	Washer, plain, fork inner tube top bolt ... ..	2	G2CS G5	...
022794	Slider, fork, with cap, studs, and nuts, left or right ... ..	2	G2CS	...
043369	Slider, fork, with cap, studs and nuts, left ... ..	1	G5	...
043370	Slider, fork, with cap, studs and nuts, right ... ..	1	G5	...

PART NUMBER	DESCRIPTION	QTY.	USED ON	PRICE EACH £ s. d.
<b>FRONT FORK—G2CS, G5—continued</b>				
022799	Cap, for fork slider ... ..	2	G2CS	...
043176	Cap for fork slider ... ..	2	G5	...
010713	Stud, slider end cap ... ..	4	G2CS G5	...
000011	Washer, slider end cap stud ... ..	4	G2CS G5	...
000004	Nut, slider end cap stud ... ..	4	G2CS G5	...
021256	Extension, fork slider ... ..	2	G2CS G5	...
015286	Bush, plastic, fork inner tube ... ..	2	G2CS G5	...
017569	Seal, oil, fork inner tube ... ..	2	G2CS G5	...
014950	Spring, main, front fork ... ..	2	G2CS G5	...
010360	Spring, buffer, front fork ... ..	2	G2CS G5	...
021116	Washer, leather, top, fork spring ... ..	2	G2CS G5	...
010698	Washer, leather, bottom, fork spring ... ..	2	G2CS G5	...
018537	Tube, cover, top, with lamp lug, left ... ..	1	G2CS	...
044302	Tube, cover, top, with lamp lug, left ... ..	1	G5	...
018538	Tube, cover, top, with lamp lug, right ... ..	1	G2CS	...
044303	Tube cover, top, with lamp lug right ... ..	1	G5	...
010703	Cap, top, of top cover tube ... ..	2	G2CS G5	...
018215	Housing, bottom, of top cover tube ... ..	2	G2CS G5	...
018539	Tube, cover, bottom ... ..	2	G2CS G5	...
018216	Seat, rubber, bottom cover tube ... ..	2	G2CS G5	...
000485	Screw, plug, drain, fork slider ... ..	2	G2CS G5	...
000203	Washer, fibre, drain plug screw ... ..	2	G2CS G5	...
016606	Tube, fork damper ... ..	2	G2CS G5	...
010697	Bolt, fixing fork damper tube to slider ... ..	2	G2CS G5	...
010706	Washer, fibre fork damper tube bolt ... ..	2	G2CS G5	...
017357	Rod, fork damper ... ..	2	G2CS G5	...
000004	Nut, lock, top end of damper rod ... ..	2	G2CS G5	...
016072	Sleeve, plunger, for damper rod ... ..	2	G2CS G5	...
016339	Clip, retaining damper rod sleeve ... ..	2	G2CS G5	...
016304	Valve, fork damper ... ..	2	G2CS G5	...
010721	Pin, stop, damper valve ... ..	2	G2CS G5	...
010719	Seat, fork damper valve ... ..	2	G2CS G5	...
000005	Nut, lock, damper valve seat ... ..	2	G2CS G5	...

### STEERING DAMPER

016405	Damper, assembly, steering ... ..	1	G2CS G5	...
017260	Knob, control, for steering damper ... ..	1	G2CS G5	...
000236	Nut, lock, fork crown (replaces 010712 dome nut) ... ..	1	G2CS G5	...
000162	Washer, ratchet, for steering damper knob ... ..	1	G2CS G5	...
000195	Washer, double spring, for steering damper knob ... ..	1	G2CS G5	...
010808	Cap, for top of steering stem ... ..	1	G2CS G5	...
010807	Stud, draw, for steering stem ... ..	1	G2CS G5	...
015137	Sleeve, assembly, lower end of draw stud ... ..	1	G2CS G5	...
000073	Nut, locking sleeve assembly to draw stud ... ..	1	G2CS G5	...
014577	Bolt, fixing sleeve assembly and anchor plate ... ..	2	G2CS G5	...
000191	Washer, spring, sleeve assembly and anchor plate bolt ... ..	2	G2CS G5	...
000012	Washer, plain, for anchor plate bolt ... ..	1	G2CS G5	...
017008	Plate anchor, top position ... ..	1	G2CS G5	...
000812	Washer, or disc, friction, for steering damper ... ..	2	G2CS G5	...

### HANDLEBAR AND CONTROL LEVERS

042527	Handlebar, only ... ..	1	G2	...
025226	Handlebar, only ... ..	1	G2CS	...
017016	Handlebar, only ... ..	1	G5	...
042589	Handlebar, only (continental) ... ..	1	G2	...
024517	Handlebar, only (continental) ... ..	1	G5	...
043268	Bolt, fixing handlebar to forks ... ..	2	G2	...
043269	Washer (recess) handlebar fixing bolt ... ..	2	G2	...
018277	Clip, half, for handlebar ... ..	1	G2CS G5	...
016947	Screw, allen, handlebar half clip ... ..	3	G2CS G5	...
16-069	Grip, rubber, dummy ... ..	1	All	...
16-070	Grip, rubber, for twist grip ... ..	1	All	...
023739	Grip, twist ... ..	1	G2 G5	...
016658	Grip, twist ... ..	1	G2CS	...

PART NUMBER	DESCRIPTION	QTY.	USED ON	PRICE EACH £ s. d.
<b>HANDLEBAR AND CONTROL LEVERS—continued</b>				
023739	Abutment, slotted ... ..	1	G2 G5	
026476	Abutment, slotted ... ..	1	G2CS	...
043264	Lever, only, clutch and front brake ... ..	2	G2	...
026258	Lever, assembly, clutch ... ..	1	G2CS	...
026232	Lever, assembly, clutch ... ..	1	G5	...
023707	Trunnion, clutch and front brake lever assembly ... ..	2	G2CS G5	
026259	Lever, assembly, front brake ... ..	1	G2CS	...
026238	Lever, assembly, front brake and air ... ..	1	G5	...
023737	Lever, assembly, air ... ..	1	G2 G2CS	
026239	Lever, assembly, valve lifter ... ..	1	G2CS G5	
043265	Spacer, clutch and front brake lever ... ..	2	G2	...
043266	Screw, pivot, clutch and front brake lever ... ..	2	G2	...
043267	Nut, clutch and front brake pivot screw ... ..	2	G2	...
366-001	Body, twist grip, top half ... ..	1	G2 G5	
16-060	Body, twist grip, top half ... ..	1	G2CS	...
366-002	Body, twist grip, bottom half ... ..	1	G2 G5	
16-061	Body, twist grip, bottom half ... ..	1	G2CS	...
366-004	Rotor, twist grip ... ..	1	G2 G5	
16-091	Rotor, twist grip ... ..	1	G2CS	...
376-079	Screw, fixing twist grip halves ... ..	2	G2 G5	
11-013	Screw, long, fixing twist grip halves ... ..	1	G2CS	...
11-014	Screw, short, fixing twist grip halves ... ..	1	G2CS	...
366-007	Spring, friction ... ..	1	G2 G5	
16-008	Spring, friction ... ..	1	G2CS	...
366-008	Screw, friction spring ... ..	1	G2 G5	
16-009	Screw, friction spring ... ..	1	G2CS	...
16-010	Nut, lock, friction spring screw ... ..	1	G2CS	...
022714	Lever, only, clutch ... ..	1	G2CS	...
18-528	Lever, only, clutch ... ..	1	G5	...
18-814	Body, only, clutch lever ... ..	1	G2CS G5	
18-087	Screw, pivot, clutch lever ... ..	1	G2CS G5	
18-053	Nut, lock, clutch lever pivot screw ... ..	1	G2CS G5	
12-595	Clamp, clutch lever body ... ..	1	G2CS G5	
11-014	Screw, clamping, clutch lever body ... ..	2	G2CS G5	
022715	Lever, only, front brake ... ..	1	G2CS	...
18-535	Lever, only, front brake ... ..	1	G5	...
18-812	Body, only, front brake lever ... ..	1	G2CS	...
18-816	Body, only, front brake lever ... ..	1	G5	...
18-087	Screw, pivot, front brake lever ... ..	1	G2CS G5	
18-053	Nut, lock, front brake lever pivot screw ... ..	1	G2CS G5	
11-014	Screw, clamping lever body, short ... ..	2	G2CS	...
11-014	Screw, clamping lever body, short ... ..	1	G5	...
11-013	Screw, clamping lever body, long ... ..	1	G5	...
12-556	Lever, only, air ... ..	1	All	...
12-594	Body, only, air lever ... ..	1	All	...
12-607	Bolt, central, air lever ... ..	1	All	...
12-606	Cap, air lever ... ..	1	All	...
12-033	Washer, spring, air lever ... ..	1	All	...
12-595	Clamp, air lever body ... ..	1	All	...
11-014	Screw, air lever body ... ..	2	G2 G2CS	
18-871	Lever, only, valve lifter ... ..	1	G2CS G5	
18-877	Body, only valve lifter lever ... ..	1	G2CS G5	
11-014	Screw, pivot, valve lifter lever ... ..	1	G2CS G5	
18-060	Nut, lock valve lifter pivot screw ... ..	1	G2CS G5	
76-016	Washer, shakeproof, valve lifter pivot screw ... ..	1	G2CS G5	
12-604	Clamp, valve lifter lever body ... ..	1	G2CS G5	
376-079	Screw, valve lifter lever clamp ... ..	2	G2CS G5	

THE MAINTENANCE MANUAL AND INSTRUCTION BOOK  
HAS FIFTY-FOUR PAGES AND TWENTY-ONE ILLUSTRATIONS

PART NUMBER	DESCRIPTION	QTY.	USED ON	PRICE EACH £ s. d.
-------------	-------------	------	---------	-----------------------

### CENTRE STAND

044291	Stand, centre, assembled	1	G2 G5	
042622	Stand, centre, assembled	1	G2CS	...
042446	Rod, centre stand (also serves as footrest rod)	1	G2 G5	
042690	Rod, centre stand (also serves as footrest rod)	1	G2CS	...
042343	Rod, operating centre stand	1	All	...
042367	Spacer, bearing, centre stand	2	All	...
042486	Spacer, centre stand, engine cradle	1	All	...
042582	Stop, for centre stand, left	1	G2 G5	
042583	Stop, for centre stand, right	1	G2 G5	
042342	Spring, return, centre stand	1	All	...
042475	Stop, rubber, for centre stand	1	All	...
044300	Bracket, centre stand stop rubber	1	G2	...
042550	Bracket, centre stand stop rubber	1	G2CS	...
044343	Bracket, centre stand stop rubber	1	G5	...

### FRONT MUDGUARD

042907	Mudguard, front, bare	1	G2 G5	
042634	Mudguard, front, bare	1	G2CS	...
042911	Bridge, front mudguard	1	G2	...
044327	Bridge, front mudguard	1	G5	...
022632	Screw, front mudguard bridge	6	G2 G5	
000005	Nut, front mudguard bridge screw	6	G2 G5	
021579	Washer, shakeproof, front mudguard bridge screw	6	G2 G5	
042910	Stay, front mudguard	1	G2	...
044226	Stay, front mudguard	1	G5	...
013929	Stay, front mudguard	2	G2CS	...
000070	Bolt, stay to front mudguard	2	G2 G5	
012565	Bolt, stay to front mudguard	8	G2CS	...
000005	Nut, stay to front mudguard bolt	2	G2 G5	
000080	Nut, stay to front mudguard bolt	8	G2CS	...
000012	Washer, plain, stay to front mudguard bolt	2	G2 G5	
000039	Washer, plain, stay to front mudguard bolt	8	G2CS	...
000190	Washer, spring, stay to front mudguard bolt	8	G2CS	...
024236	Washer, alloy, stay to front mudguard bolt	8	G2CS	...
000361	Bolt, front mudguard stay to fork member	2	G2 G5	
010795	Bolt, front mudguard stay to fork member	4	G2CS	...
000011	Washer, plain, front mudguard stay to fork member bolt	2	G2 G5	
000192	Washer, spring, front mudguard stay to fork member bolt	4	G2CS	...

### REAR MUDGUARD

042258	Mudguard, rear, bare	1	G2	...
042613	Mudguard, rear, bare	1	G2CS	...
044214	Mudguard, rear, bare	1	G5	...
042265	Screw, fixing rear mudguard	4	G2 G5	
000004	Nut, rear mudguard fixing screw	4	G2 G5	
000011	Washer, rear mudguard fixing screw	4	G2 G5	
000363	Bolt, fixing rear mudguard, at front	1	G2 G5	
000004	Nut, rear mudguard front fixing bolt	1	G2 G5	
000011	Washer, plain, rear mudguard front fixing bolt	1	G2 G5	
000192	Washer, spring, rear mudguard front fixing bolt	1	G2 G5	
042620	Tube, support, rear mudguard	1	G2CS	...
042645	Spacer, rear mudguard fixing	2	G2CS	...
042632	Bracket, rear mudguard	2	G2CS	...
014577	Bolt, rear mudguard bracket	2	G2CS	...
000012	Washer, rear mudguard bracket bolt	2	G2CS	...
024237	Washer, large rear mudguard bracket bolt	2	G2CS	...
000005	Nut, rear mudguard bracket bolt	2	G2CS	...
000365	Bolt, rear mudguard support bracket	2	G2CS	...
000011	Washer, rear mudguard support bracket bolt	4	G2CS	...
000004	Nut, rear mudguard support bracket bolt	2	G2CS	...
000363	Bolt, rear mudguard support	2	G2CS	...
000011	Washer, rear mudguard support	2	G2CS	...

PART NUMBER	DESCRIPTION	QTY.	USED ON	PRICE EACH	
				£	s. d.

### REAR MUDGUARD—continued

012565	Bolt, rear mudguard/support ear ... ..	2	G2CS	...
000039	Washer, plain, rear mudguard/support ear bolt ... ..	2	G2CS	...
000190	Washer, spring, rear mudguard/support ear bolt ... ..	2	G2CS	...
000080	Nut, rear mudguard/support ear bolt ... ..	2	G2CS	...
024236	Washer, alloy, rear mudguard/support ear bolt ... ..	2	G2CS	...

### FRONT NUMBER PLATE

011698	Plate, number, front ... ..	1	G2CS	...
011836	Stud, front number plate ... ..	2	G2CS	...
000005	Nut, front number plate stud ... ..	2	G2CS	...
000012	Washer, front number plate stud ... ..	2	G2CS	...
000861	Screw, fixing front number plate to stud ... ..	2	G2CS	...

### REAR NUMBER PLATE

042435	Plate, number, rear ... ..	1	G2	G5
042755	Plate, number, rear ... ..	1	G2CS	...
025173	Bracket, rear number plate ... ..	1	G2CS	...
000070	Bolt, short, rear number plate bracket ... ..	1	G2CS	...
000342	Bolt, long, rear number plate bracket ... ..	1	G2CS	...
000012	Washer, small, rear number plate bracket bolt ... ..	2	G2CS	...
024237	Washer, large, rear number plate bracket bolt ... ..	2	G2CS	...
000005	Nut, rear number plate bracket bolt ... ..	2	G2CS	...
000342	Bolt, rear number plate ... ..	2	G2	G5
000070	Bolt, rear number plate to bracket ... ..	2	G2CS	...
042472	Nut (trapped), rear number plate bolt ... ..	2	G2	G5
000005	Nut, rear number plate/ bracket bolt ... ..	2	G2CS	...
041022	Washer, spring, rear number plate bolt ... ..	2	G2	G5
000172	Washer, plain, rear number plate bolt ... ..	2	G2	G5
000012	Washer, plain, rear number plate/bracket bolt ... ..	2	G2CS	...
025392	Beading, rear number plate, 20½ in. ... ..	1	G2	G5

### FRONT CHAINCASE

042028	Chaincase, inner half, assembled ... ..	1	All	...
042040	Chaincase, outer half, with motif ... ..	1	G2	G2CS
044062	Chaincase, outer half, with motif ... ..	1	G5	...
042812	Motif, front chaincase ... ..	1	All	...
042169	Gasket, inner half chaincase ... ..	1	All	...
041097	Screw, fixing, inner half chaincase ... ..	6	All	...
000577	Dowel, front chaincase ... ..	4	All	...
042180	Gasket, joint, chaincase halves ... ..	1	All	...
000484	Screw, joining chaincase halves ... ..	1	All	...
042175	Screw, joining chaincase halves ... ..	1	All	...
042037	Screw, joining chaincase halves ... ..	1	All	...
042038	Screw, joining chaincase halves ... ..	1	All	...
041084	Screw, joining chaincase halves ... ..	2	All	...
042055	Seal, oil, front chaincase ... ..	1	All	...
042040	Cap, inspection ... ..	2	All	...
042025	Washer, leather, inspection cap ... ..	2	All	...
040137	Plug, drain, chaincase ... ..	1	All	...
041123	Washer, fibre, chaincase drain plug ... ..	1	All	...
042403	Fairing, for chaincase ... ..	1	All	...
013849	Screw, chaincase fairing ... ..	3	All	...
011846	Nut, chaincase fairing screw ... ..	3	All	...
000039	Washer, chaincase fairing screw ... ..	3	All	...

### REAR CHAINGUARD

042494	Chainguard, rear, bare ... ..	1	G2	G5
042631	Chainguard, rear, bare ... ..	1	G2CS	...
000374	Bolt, fixing chainguard, front position ... ..	1	G2	G5
000346	Bolt, fixing chainguard, front and rear positions ... ..	2	G2CS	...
000372	Bolt, fixing chainguard, rear position ... ..	1	G2	G5
000011	Washer, chainguard fixing bolt ... ..	2	G2	G5
000012	Washer, chainguard fixing bolt ... ..	2	G2CS	...



PART NUMBER	DESCRIPTION	QTY.	USED ON		PRICE
					EACH
					£ s. d.

## BATTERY CARRIER

042337	Carrier, Battery (no strap) ...	1	G2	G5	
042836	Carrier, battery (no strap) ...	1	G2CS		
023097	Strap, front, for battery carrier ...	1	All		
013848	Screw, fixing battery carrier ...	2	All		
042489	Nut (trapped), battery carrier fixing screw ...	2	All		
010734	Bolt, battery carrier to frame ...	1	G2	G5	
000364	Bolt, battery carrier to frame (when air cleaner is fitted) ...	1	G2	G5	
000366	Bolt, battery carrier to frame ...	1	G2CS		
000637	Spacer, battery carrier/frame bolt ...	1	G2CS		
000004	Nut, battery carrier/frame bolt ...	1	All		
000011	Washer, battery carrier/frame bolt ...	1	All		

## FOOTREST

042457	Arm, or hanger, footrest ...	2	G2	G5	
042748	Arm, or hanger, footrest, left ...	1	G2CS		
042749	Arm, or hanger, footrest, right ...	1	G2CS		
042446	Rod, footrest (also serves as centre stand rod) ...	1	G2	G5	
042690	Rod, footrest (also serves as centre stand rod) ...	1	G2CS		
010847	Rubber, footrest arm ...	2	G2	G5	
042368	Spacer, footrest rod, left ...	1	G2	G5	
042369	Spacer, footrest rod, right ...	1	G2	G5	
000002	Nut, footrest rod ...	2	All		
000009	Washer, footrest rod ...	2	All		

## PILLION FOOTRESTS

042590	Footrests, pillion, complete (less arms) ...	Pair	All		
042936	Arm, bare, pillion footrest, left ...	1	All		
042478	Arm, bare, pillion footrest, right ...	1	All		
042568	Spindle, bare, pillion footrest ...	2	All		
042569	Rubber, only, pillion footrest spindle ...	2	All		
042189	Bolt, hinge, pillion footrest spindle ...	2	All		
000005	Nut, pillion footrest spindle hinge bolt ...	2	All		
000012	Washer, pillion footrest spindle hinge bolt ...	2	All		
044346	Washer, pillion footrest, right hand ...	1	G5		

## TWIN SEAT

044284	Twin seat, only ...	1	G2	G5	
042633	Twin seat, only ...	1	G2CS		
042587	Stud, fixing, twin seat ...	2	G2	G5	
000004	Nut, twin seat fixing stud ...	2	G2	G5	
000011	Washer, twin seat fixing stud ...	2	G2	G5	

## PETROL TANK

044246	Tank, petrol, bare, enamelled, red ...	1	G2	G5	
044328	Tank, petrol, bare, enamelled, black ...	1	G2	G5	
044265	Tank, petrol, bare, red and chrome ...	1	G2	G5	
042779	Tank, petrol, bare, enamelled, red ...	1	G2CS		
018891	Motif, for petrol tank ...	2	All		
018896	Seating, rubber, for petrol tank motif ...	2	All		
000153	Screw, for petrol tank motif ...	4	All		
013325	Cap, filler, petrol tank ...	1	All		
042464	Grip, rubber, petrol tank, left ...	1	G2	G5	
042889	Grip, rubber, petrol tank, left ...	1	G2CS		
042465	Grip, rubber, petrol tank, right ...	1	G2	G5	
042890	Grip, rubber, petrol tank, right ...	1	G2CS		
044227	Bracket, front, petrol tank ...	1	G2	G5	
042273	Bracket, front, petrol tank ...	1	G2CS		
000372	Bolt, petrol tank front bracket ...	1	All		
000004	Nut, petrol tank front bracket bolt ...	1	All		
000011	Washer, plain, petrol tank front bracket bolt ...	1	All		
014117	Washer, spring, petrol tank front bracket bolt ...	1	All		

**PETROL TANK—continued**

000364	Bolt, fixing petrol tank, front	...	...	...	...	...	2	G2	G5
042269	Bolt, fixing petrol tank, front	...	...	...	...	...	2	G2CS	...
014996	Rubber, thin, petrol tank front fixing bolt	...	...	...	...	...	2	G2	G5
044335	Rubber, thick, petrol tank front fixing bolt	...	...	...	...	...	2	G2	G5
042267	Rubber, petrol tank front fixing bolt	...	...	...	...	...	4	G2CS	...
021455	Sleeve, petrol tank front fixing bolt	...	...	...	...	...	2	G2	G5
042425	Sleeve, petrol tank front fixing bolt	...	...	...	...	...	2	G2CS	...
014999	Washer, petrol tank front fixing bolt	...	...	...	...	...	2	G2	G5
042272	Washer, petrol tank front fixing bolt	...	...	...	...	...	2	G2CS	...
044244	Bolt, fixing petrol tank, rear	...	...	...	...	...	1	G2	G5
042269	Bolt, fixing petrol tank, rear	...	...	...	...	...	1	G2CS	...
044336	Rubber, top, petrol tank rear fixing bolt	...	...	...	...	...	1	G2	G5
044313	Rubber, bottom, petrol tank rear fixing bolt	...	...	...	...	...	1	G2	G5
014996	Rubber, petrol tank rear fixing bolt	...	...	...	...	...	2	G2CS	...
044216	Sleeve, petrol tank rear fixing bolt	...	...	...	...	...	1	G2	G5
042423	Sleeve, petrol tank rear fixing bolt	...	...	...	...	...	1	G2CS	...
014999	Washer, petrol tank rear fixing bolt	...	...	...	...	...	2	G2	G5
014999	Washer, petrol tank rear fixing bolt	...	...	...	...	...	1	G2CS	...
000004	Nut, petrol tank rear fixing bolt	...	...	...	...	...	1	G2	G5
026566	Tap, petrol, main supply	...	...	...	...	...	1	G2	G5
026565	Tap, petrol, main supply	...	...	...	...	...	1	G2CS	...
024201	Tap, petrol, "Reserve"	...	...	...	...	...	1	G2	G5
023274	Tap, petrol, "Reserve"	...	...	...	...	...	1	G2CS	...
000200	Washer, fibre, for petrol tap	...	...	...	...	...	2	G2CS	...
000908	Tubing, plastic, for petrol supply—15 in.	...	...	...	...	...	1	G2	G5
000908	Tubing, plastic, for petrol supply—14 in.	...	...	...	...	...	1	G2CS	...
021844	"T" piece, petrol feed tubing	...	...	...	...	...	1	All	...
044308	Bead, top, centre, of petrol tank	...	...	...	...	...	1	G2	G5

**OIL TANK**

042083	Tank, oil, outer half	...	...	...	...	...	1	All	...
042170	Gasket, oil tank outer half	...	...	...	...	...	1	All	...
042875	Cap, filler, oil tank	...	...	...	...	...	1	All	...
021329	Washer, oil tank filler cap	...	...	...	...	...	1	All	...
042160	Plug, drain (crankcase half)	...	...	...	...	...	1	All	...
042186	Washer, oil drain plug	...	...	...	...	...	1	All	...
042189	Bolt, fixing oil tank	...	...	...	...	...	5	All	...
042190	Bolt, fixing oil tank	...	...	...	...	...	1	All	...
042191	Bolt, fixing oil tank	...	...	...	...	...	1	All	...
042192	Bolt, fixing oil tank	...	...	...	...	...	1	All	...
020053	Bolt, fixing oil tank	...	...	...	...	...	1	All	...
000012	Washer, oil tank fixing bolt	...	...	...	...	...	9	All	...

**TOOL BOX**

042427	Tool box, only, with lid	...	...	...	...	...	1	G2	G5
042711	Tool box, only, with lid	...	...	...	...	...	1	G2CS	...
014033	Lid, only, tool box	...	...	...	...	...	1	G2CS	...
013936	Pin, split, tool box lid	...	...	...	...	...	1	G2CS	...
014511	Screw, knurled, tool box lid	...	...	...	...	...	2	G2	G5
000005	Nut, tool box lid knurled screw	...	...	...	...	...	4	G2	G5
000189	Washer, spring, tool box lid knurled screw	...	...	...	...	...	2	G2	G5
042455	Buffer, rubber, in mudguard for tool box	...	...	...	...	...	1	G2	G5
042458	Stud, tool box/accessory cover	...	...	...	...	...	2	G2	G5
000004	Nut, tool box/accessory cover stud	...	...	...	...	...	4	G2	G5
000011	Washer, tool box/accessory cover stud	...	...	...	...	...	4	G2	G5

**ACCESSORY COVER**

042416	Cover, accessory, assembled	...	...	...	...	...	1	G2	G5
042412	Bracket, accessory cover	...	...	...	...	...	1	G2	G5
014511	Screw, knurled, accessory cover	...	...	...	...	...	1	G2	G5
000012	Washer, accessory cover knurled screw	...	...	...	...	...	1	G2	G5
014577	Bolt, accessory cover bracket	...	...	...	...	...	2	G2	G5
000012	Washer, accessory cover bracket bolt	...	...	...	...	...	2	G2	G5

PART NUMBER	DESCRIPTION	QTY.	USED ON	PRICE EACH	
				£	s. d.

## TRANSFERS

043373	Transfers, complete set	...	...	...	...	1	G5	...
043224	Transfers, complete set	...	...	...	...	1	G2	...
043374	Transfers, complete set	...	...	...	...	1	G2CS	...
009194	Transfer, rear mudguard	...	...	...	...	1	All	...
009195	Transfer, petrol tank reserve	...	...	...	...	1	All	...
023302	Transfer, tool box lid and accessory cover	...	...	...	...	2	G2 G5	...
009199	Transfer, fork crown (patent No.)	...	...	...	...	1	G2CS G5	...
009200	Transfer, fork crown (made in England)	...	...	...	...	1	G2CS G5	...

## CONTROL CABLES

042547	Cable, assembled, front brake	...	...	...	...	1	G2	...
026234	Cable, assembled, front brake	...	...	...	...	1	G2CS	...
026241	Cable, assembled, front brake	...	...	...	...	1	G5	...
042770	Adjuster, assembled, front brake cable	...	...	...	...	1	G2	...
025583	Adjuster, front brake cable	...	...	...	...	1	G2CS G5	...
025584	Nut, lock, front brake cable adjuster	...	...	...	...	1	G2CS G5	...
042764	Sleeve, plastic, front brake cable, 9 in.	...	...	...	...	1	G2	...
042764	Sleeve, plastic, front brake cable, 12 in.	...	...	...	...	1	G2CS	...
042764	Sleeve, plastic, front brake cable, 8½ in.	...	...	...	...	1	G5	...
042548	Cable, assembled, clutch	...	...	...	...	1	G2	...
026236	Cable, assembled, clutch	...	...	...	...	1	G2CS	...
026242	Cable, assembled, clutch	...	...	...	...	1	G5	...
042766	Adjuster, complete, clutch cable	...	...	...	...	1	All	...
042871	Cable, assembled, throttle	...	...	...	...	1	G2	...
042872	Cable, assembled, throttle	...	...	...	...	1	G2CS	...
026243	Cable, assembled, throttle	...	...	...	...	1	G5	...
023696	Cable, assembled, air	...	...	...	...	1	G2	...
042759	Cable, assembled, air	...	...	...	...	1	G2CS	...
026240	Cable, assembled, air	...	...	...	...	1	G5	...
026254	Cable, assembled, valve lifter	...	...	...	...	1	G2CS G5	...
014225	Adjuster, valve lifter cable	...	...	...	...	1	G2CS G5	...
011373	Nut, lock, valve lifter cable adjuster	...	...	...	...	1	G2CS G5	...

- 1 SPINDLE, FRONT WHEEL
- 2 WASHER, FRONT WHEEL SPINDLE
- 3 LEVER, BRAKE SHOE EXPANDER
- 4 NUT, BRAKE SHOE EXPANDER LEVER
- 5 WASHER, BRAKE SHOE EXPANDER LEVER
- 6 SPACER, HEXAGON, FRONT COVER PLATE
- 7 COVER, FRONT BRAKE PLATE
- 8 BRAKE SHOES, PAIR
- 9 ENCLOSURE CUP, OIL SEALS

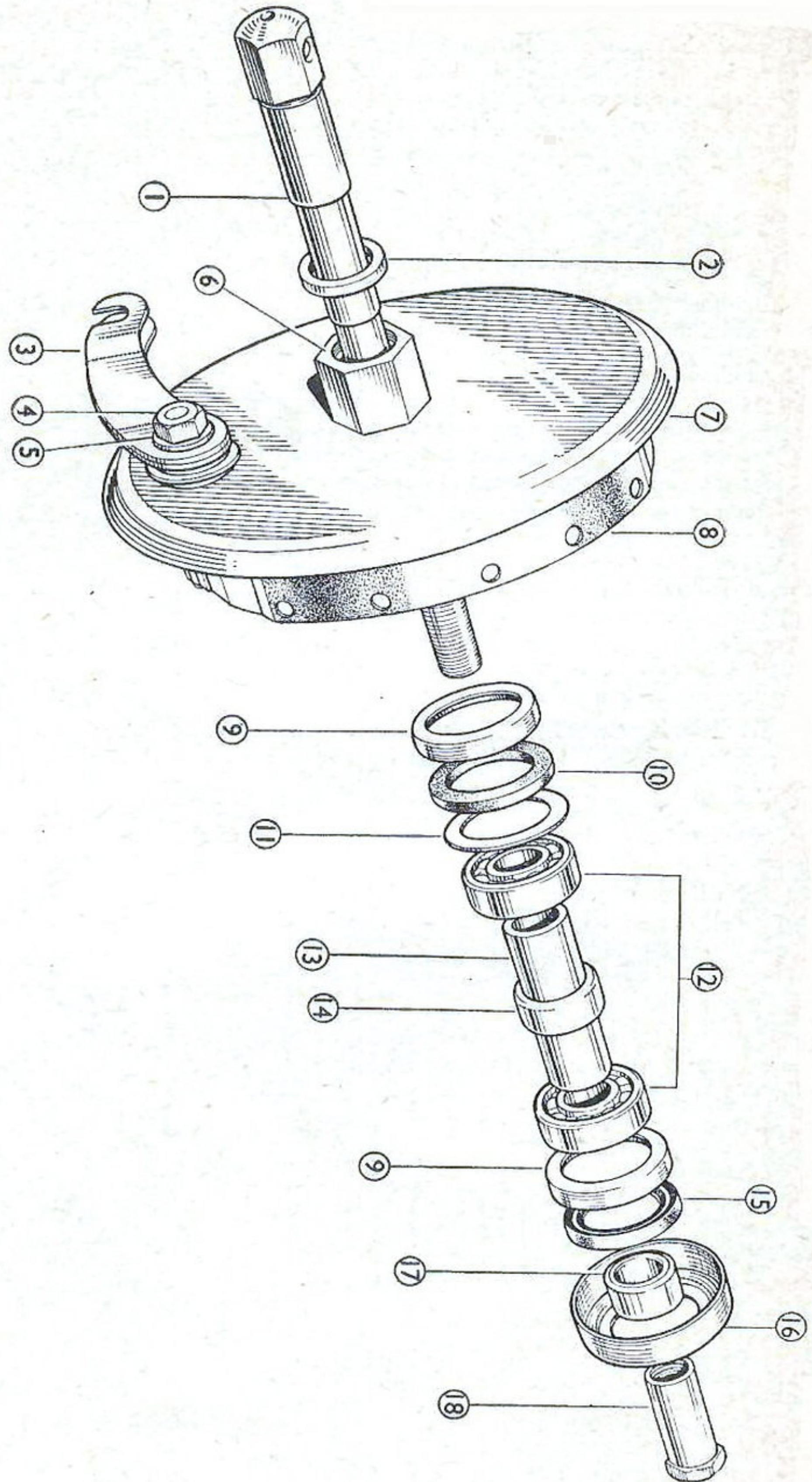
- 250 c.c. 043348
- 
- 043274
- 043275
- 043276
- 043356
- 043353
- 043355
- 043281

- 350 c.c. 044263
- 044264
- 043361
- 043275
- 043276
- 043356
- 043360
- 043355
- 043281

- 10 SEAL, FELT, FOR BEARING
- 11 WASHER, BEARING FELT SEAL
- 12 BEARING, FOR HUB
- 13 SPACING TUBE, BEARING
- 14 PRESSING, SPACING TUBE
- 15 SEAL, RUBBER, FOR BEARING
- 16 ENCLOSURE CAP
- 17 SPACER, FRONT SPINDLE
- 18 NUT, FRONT SPINDLE

- 250 c.c. 043280
- 043283
- 043279
- 043349
- 043350
- 043351
- 043282
- 043358
- 043285

- 350 c.c. 043280
- 043283
- 043279
- 043349
- 043350
- 043351
- 043282
- 043358
- 044272



Front Hub Assembly

PART NUMBER	DESCRIPTION	QTY.	USED ON	PRICE EACH	
				£	s. d.

## FRONT WHEEL—G2, G5

THE COMPLETE WHEEL LISTED BELOW COMPRISES:

Rim, spokes, nipples, hub, all bearings, and all brake parts including cover plates and brake parts, but does not include the tyre.

043375	Wheel, front, complete, with all fittings	...	...	...	...	1	G2	...
043376	Wheel, front, complete, with all fittings	...	...	...	...	1	G5	...
043226	Wheel, front, bare, less fittings	...	...	...	...	1	G2	...
043377	Wheel, front, bare, less fittings	...	...	...	...	1	G5	...
042440	Rim, only, front wheel	...	...	...	...	1	G2	...
044250	Rim, only, front wheel	...	...	...	...	1	G5	...
042482	Spoke, front wheel	...	...	...	...	36	G2	...
044257	Spoke, front wheel	...	...	...	...	18	G5	...
044260	Spoke, front wheel	...	...	...	...	18	G5	...
021693	Nipple, front wheel spoke	...	...	...	...	36	G2	G5
043227	Hub, shell only, with brake drum	...	...	...	...	1	G2	G5

## FRONT WHEEL BEARING

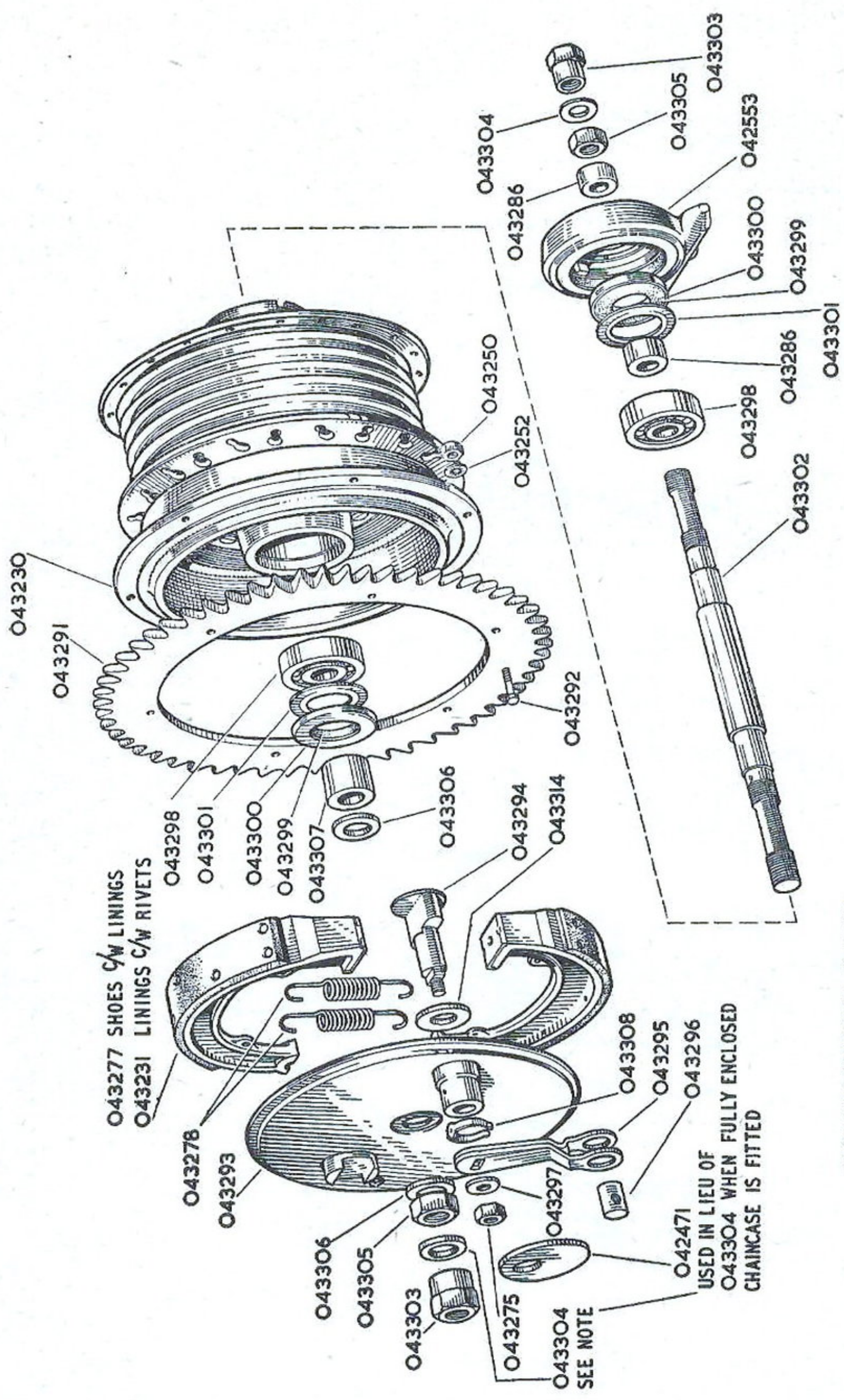
043348	Spindle, only, front wheel	...	...	...	...	1	G2	...
044263	Spindle, only, front wheel	...	...	...	...	1	G5	...
043279	Bearing journal, front wheel	...	...	...	...	2	G2	G5
043280	Seal, felt, front hub bearing	...	...	...	...	1	G2	G5
043351	Seal, rubber, front hub bearing	...	...	...	...	1	G2	G5
043281	Cup, enclosure, front hub bearing seal	...	...	...	...	2	G2	G5
043282	Cup, enclosure, front hub bearing seal	...	...	...	...	1	G2	G5
043283	Washer, enclosure, front hub bearing seal	...	...	...	...	1	G2	G5
043349	Spacer, distance, front hub bearing	...	...	...	...	1	G2	G5
043350	Pressing, distance spacer	...	...	...	...	1	G2	G5
044264	Washer, front wheel spindle	...	...	...	...	1	G5	...
043285	Nut, front wheel spindle	...	...	...	...	1	G2	...
044272	Nut, front wheel spindle	...	...	...	...	1	G5	...

## FRONT WHEEL—G2CS

THE COMPLETE WHEEL LISTED BELOW COMPRISES:

Rim, spokes, nipples, hub, grease nipple, spindle, bearings, and all brake parts, but does not include the tyre.

043316	Wheel, front, complete	...	...	...	...	1	G2CS	...
043317	Wheel, front, bare	...	...	...	...	1	G2CS	...
042719	Rim, front wheel	...	...	...	...	1	G2CS	...
011014	Spoke, front wheel, right side	...	...	...	...	20	G2CS	20 For
011018	Spoke, front wheel, left side	...	...	...	...	20	G2CS	20 For
011016	Nipple, front wheel spoke, right side	...	...	...	...	20	G2CS	20 For
011017	Nipple, front wheel spoke, left side	...	...	...	...	20	G2CS	20 For
000039	Washer, front wheel spoke	...	...	...	...	40	G2CS	...
018046	Hub, shell, with brake drum	...	...	...	...	1	G2CS	...
011708	Bolt, tyre security	...	...	...	...	1	G2CS	...
000051	Nipple, grease, front hub shell	...	...	...	...	1	G2CS	...
012825	Spindle, with roller bearings, front wheel	...	...	...	...	1	G2CS	...
010579	Seal, oil, front wheel bearings	...	...	...	...	2	G2CS	...
017219	Ring, spring, locating front wheel bearing	...	...	...	...	1	G2CS	...
018093	Cup, front wheel bearing oil seal	...	...	...	...	1	G2CS	...
018096	Ring, retaining front wheel bearing oil seal	...	...	...	...	3	G2CS	...
017221	Ring, spacing front wheel bearing oil seal	...	...	...	...	1	G2CS	...
017224	Ring, adjusting, front wheel bearing	...	...	...	...	1	G2CS	...
017223	Nut, lock front wheel bearing adjusting ring	...	...	...	...	1	G2CS	...
017003	Nut, locating front brake cover plate	...	...	...	...	1	G2CS	...
018096	Washer, locating front brake cover plate	...	...	...	...	1	G2CS	...
018071	Nut, outside, securing front brake cover plate	...	...	...	...	1	G2CS	...
000008	Washer, front wheel spindle, left side	...	...	...	...	1	G2CS	...
000001	Nut, front wheel spindle left side	...	...	...	...	1	G2CS	...
017222	Washer, packing, cover plate	...	...	...	...	1	G2CS	...



Rear Hub Assembly

REAR HUB COMPLETE O42481

PART NUMBER	DESCRIPTION	QTY.	USED ON	PRICE EACH £ s. d.
-------------	-------------	------	---------	-----------------------

## REAR WHEEL—G2, G5

THE COMPLETE WHEEL LISTED BELOW COMPRISES:

Rim, spokes, nipples, hub with brake drum, spindle, spacers, bearings, nuts, and washers, but less sprocket, brake parts, speedometer drive and tyre.

043228	Wheel, rear, complete	1	G2	...
043378	Wheel, rear, complete	1	G5	...
043229	Wheel, rear, bare	1	G2	...
043379	Wheel, rear, bare	1	G5	...
042440	Rim, rear wheel	1	G2	...
044250	Rim, rear wheel	1	G5	...
042483	Spoke, rear wheel	36	G2	...
044258	Spoke, rear wheel	36	G5	...
021693	Nipple, rear wheel spoke	36	G2	G5
043230	Hub, shell only, with brake drum	1	G2	G5
043302	Spindle, only, rear wheel	1	G2	G5
043298	Bearing, ball, rear wheel	2	G2	G5
043299	Seal, felt, hub ball bearing	2	G2	G5
043300	Cup, hub bearing felt seal	2	G2	G5
043301	Washer, hub bearing, felt seal	2	G2	G5
043305	Nut, lock, rear wheel spindle	2	G2	G5
043306	Washer, rear wheel spindle lock nut	2	G2	G5
043303	Nut, extended, rear wheel spindle	2	G2	G5
043304	Washer, rear wheel spindle extended nut	2	G2	G5
043307	Spacer, rear wheel spindle, long, left	1	G2	G5
043286	Spacer, rear wheel spindle, short, right	2	G2	G5

## REAR WHEEL—G2CS

THE COMPLETE WHEEL LISTED BELOW COMPRISES:

Rim, spokes, nipples, hub, grease nipple and bearings, but does NOT include centre solid spindle, washers, spacers, nuts, brake parts, sprocket, brake drum, speedometer drive and tyre.

016958	Wheel, rear, complete	1	G2CS	...
016957	Wheel, rear, bare	1	G2CS	...
011693	Rim, rear wheel	1	G2CS	...
017097	Spoke, rear wheel	40	G2CS	...
012472	Nipple, rear wheel spoke	40	G2CS	...
016964	Hub, shell, only, bare	1	G2CS	...
011707	Bolt, tyre security	2	G2CS	...
000051	Nipple, grease, rear hub shell	1	G2CS	...
014868	Bearing, roller, rear wheel	2	G2CS	...
014387	Seal, oil, rear wheel bearing	2	G2CS	...
010740	Ring, spring locating rear wheel bearing	1	G2CS	...
018094	Cup, rear wheel bearing oil seal	1	G2CS	...
010743	Ring, spacing, rear wheel bearing oil seal	1	G2CS	...
018095	Ring, retaining, rear wheel bearing oil seal	3	G2CS	...
012436	Collar, spacing, between rear wheel bearing and oil seal	2	G2CS	...
014706	Spacer, between, rear wheel bearings	1	G2CS	...
010745	Ring, adjusting, rear wheel bearing	1	G2CS	...
010437	Nut, lock, rear wheel bearing adjusting ring	1	G2CS	...
042718	Spindle, centre, solid, rear wheel	1	G2CS	...
025181	Nut, rear wheel centre solid spindle	2	G2CS	...
042823	Washer, rear wheel centre solid spindle	2	G2CS	...
042822	Spacer, rear wheel centre solid spindle	2	G2CS	...
014704	Spacer, rear wheel bearing oil seal	1	G2CS	...

## FRONT BRAKE

043352	Plate, back, bare front brake	1	G2	...
018662	Plate, bare, front brake	1	G2CS	...
043359	Plate, back, bare, front brake	1	G5	...
043353	Plate, cover, front brake	1	G2	...

PART NUMBER	DESCRIPTION	QTY.	USED ON	PRICE EACH £ s
-------------	-------------	------	---------	----------------

### FRONT BRAKE—continued

043360	Plate, cover, front brake	1	G5	...
043354	Spacer, for cover plate	1	G2	G5
043356	Spacer, hexagon, cover plate	1	G2	G5
043357	Nut, cover plate spacer	1	G2	G5
043358	Spacer, wheel spindle	1	G2	G5
043355	Shoes, pair of, for front brake (only sold in pairs)	Pair	G2	G5
013620	Shoes, pair of, for front brake (only sold in pairs)	Pair	G2CS	...
010440	Linings, only, for front brake shoes	Pair	G2CS	...
043231	Linings, only, with rivets, for front brake shoes	Pair	G2	G5
000113	Rivets, only, for front brake shoe lining	14	G2CS	... Doz
013291	Pin, thrust, brake shoe adjustment	2	G2CS	...
000174	Washer, brake shoe thrust pin	R	G2CS	...
043278	Spring, return, for brake shoes	2	G2	G5
012892	Spring, return, for brake shoes	2	G2CS	...
043272	Expander, for brake shoes	1	G2	G5
012891	Expander, for brake shoes	1	G2CS	...
043273	Washer, for brake shoe expander	2	G2	G5
018070	Pin, pivot, for brake shoes	1	G2CS	...
000010	Washer, large, brake shoe pivot pin	1	G2CS	...
000011	Washer, small, brake shoe pivot pin	1	G2CS	...
000004	Nut, brake shoe pivot pin	1	G2CS	...
043274	Lever, front brake shoe expander	1	G2	...
012576	Lever, front brake shoe expander	1	G2CS	...
043361	Lever, front brake shoe expander	1	G5	...
043276	Washer, brake shoe expander lever	1	G2	G5
000174	Washer, brake shoe expander lever	1	G2CS	...
043275	Nut, brake shoe expander lever	1	G2	G5
000004	Nut, brake shoe expander lever	1	G2CS	...

### REAR BRAKE

042637	Drum, only, rear brake	1	G2CS	...
042728	Bolt, fixing rear brake drum to hub shell	5	G2CS	...
000074	Nut, rear brake drum fixing bolt	5	G2CS	...
010708	Washer, tab, rear brake drum fixing bolt	5	G2CS	...
043293	Plate, cover, rear brake	1	G2	G5
042782	Plate, cover, rear brake	1	G2CS	...
043355	Shoes, pair of, rear brake, with linings	1	G2	G5
017605	Shoes, pair of, rear brake, with linings and thrust pins	1	G2CS	...
017606	Pin, thrust, adjusting brake shoes	2	G2CS	...
017670	Washer, packing, brake shoe thrust pin	R	G2CS	...
043231	Linings, with rivets, for brake shoes, pair	1	G2	G5
010441	Linings, less rivets, for brake shoes, pair	1	G2CS	...
000105	Rivets, for brake lining	16	G2CS	... Doz
043278	Spring, for brake shoes	2	G2	G5
017488	Spring, for brake shoes	2	G2CS	...
043294	Expander, for brake shoes	1	G2	G5
017487	Expander, for brake shoes	1	G2CS	...
043295	Lever, brake shoe expander	1	G2	G5
017327	Lever, brake shoe expander	1	G2CS	...
043296	Trunnion, brake shoe expander lever	1	G2	G5
000051	Nipple, grease, brake shoe expander	1	G2CS	...
043308	Clip, brake shoe expander oil hole	1	G2	G5
043314	Washer, brake shoe expander	1	G2	G5
017670	Washer, brake shoe expander lever	1	G2	G5
000174	Washer, brake shoe expander lever	1	G2CS	...
043275	Nut, brake shoe expander lever	1	G2	G5
000004	Nut, brake shoe expander lever	1	G2CS	...
042879	Bolt, anchor, rear brake cover plate	1	G2CS	...
000010	Washer, rear brake anchor bolt	1	G2CS	...
000003	Nut, rear brake anchor bolt	1	G2CS	...
000006	Pin, split, rear brake anchor bolt	1	G2CS	...



PART NUMBER	DESCRIPTION	QTY.	USED ON	PRICE EACH £ s. d.
<b>REAR SPROCKET</b>				
043291	Sprocket, rear wheel ... ..	1	G2 G5	
042638	Sprocket, rear wheel ... ..	1	G2CS	...
043292	Bolt, rear wheel sprocket ... ..	6	All	...
011843	Nut, rear wheel sprocket bolt ... ..	6	G2 G5	
018160	Nut, rear wheel sprocket bolt ... ..	6	G2CS	...
000012	Washer, plain, rear wheel sprocket bolt ... ..	6	G2CS	...

### REAR BRAKE OPERATING PARTS

042449	Pedal, foot, rear brake ... ..	1	All	...
042450	Washer, rear brake foot pedal ... ..	1	G2 G2CS	
042451	Bush, rear brake foot pedal ... ..	1	G2 G2CS	
042452	Spring, return, rear brake foot pedal ... ..	1	All	...
042453	Stop, rear brake foot pedal ... ..	1	G2 G2CS	
044342	Stop, rear brake foot pedal ... ..	1	G5	...
000051	Nipple, grease, rear brake foot pedal ... ..	1	All	...
042446	Rod, rear brake pedal (also serves as seat tube rod) ... ..	1	G2 G5	
042693	Rod, rear brake pedal (also serves as seat tube rod) ... ..	1	G2CS	...
042493	Spacer, pillion footrest (not used when pillion rests are fitted) ... ..	2	G2CS	...
000002	Nut, rear brake pedal rod ... ..	2	All	...
000009	Washer, rear brake pedal rod ... ..	2	All	...
022636	Spacer, brake pedal rod ... ..	1	G2CS	...
042463	Rod, rear brake operating ... ..	1	G2 G5	
017187	Rod, rear brake operating ... ..	1	G2CS	...
017095	Spring, rear brake rod ... ..	1	All	...
000178	Washer, stop, rear brake rod spring ... ..	1	All	...
000014	Pin, split rear brake rod ... ..	1	G2 G5	
000014	Pin, split rear brake rod clevis pin ... ..	2	G2CS	...
042931	Plate, anchor stoplight switch spring ... ..	1	G2 G5	
022743	Adjuster, rear brake rod ... ..	1	All	...
023299	End, yoke, rear brake rod ... ..	1	G2CS	...
000736	Pin clevis, brake rod yoke end ... ..	1	G2CS	...
022744	Clip, brake rod adjusting ... ..	1	G2CS	...

### TOOL KIT

043380	Tool kit, complete, with inflator ... ..	1	G2	...
043318	Tool kit, complete, with inflator ... ..	1	G2CS	...
043381	Tool kit, complete, with inflator ... ..	1	G5	...
043233	Tool kit, complete, less inflator ... ..	1	G2	...
043319	Tool kit, complete, less inflator ... ..	1	G2CS	...
043382	Tool kit, complete, less inflator ... ..	1	G5	...

### TOOLS

017253	Bag, for tools ... ..	1	All	...
021625	Screwdriver ... ..	1	All	...
017249	Spanner, adjustable ... ..	1	All	...
017007	Lever, tyre ... ..	2	All	...
017257	Spanner, $\frac{1}{8}$ in. by $\frac{3}{16}$ in., Whit. ... ..	1	All	...
017052	Spanner, $\frac{3}{16}$ in. by $\frac{1}{4}$ in., Whit. ... ..	2	All	...
017053	Spanner, $\frac{5}{16}$ in. by $\frac{3}{8}$ in., Whit. ... ..	1	All	...
017252	Spanner, box, with tommy bar for sparking plug ... ..	1	All	...
023284	Spanner, for adjusting rear suspension ... ..	1	All	...
042540	Gauge, feeler, for contact points ... ..	1	All	...
018667	Key, allen, for oil filter cap ... ..	1	All	...
042570	Spanner, for steering head adjustment ... ..	1	G2	...
018055	Key, allen, handlebar clip screw ... ..	1	G2CS G5	
018178	Spanner, 1.010 in. by 1.200 in. ... ..	1	G2CS G5	
000174	Washer, packing, front brake shoe adjuster ... ..	4	G2CS	...
017670	Washer, packing, rear brake shoe adjuster ... ..	4	G2CS	...
044331	Inflator, Tyre ... ..	1	G2 G5	
017114	Inflator, tyre ... ..	1	G2CS	...

PART NUMBER	DESCRIPTION	QTY.	USED ON	PRICE EACH £ s
-------------	-------------	------	---------	----------------

## OPTIONAL TOOLS

042247	Bolt, contact breaker extractor	1	All	...
043332	Extractor, timing pinion	1	All	...
022011	Disc timing	1	All	...
017482	Holder, valve grinding	1	All	...
018276	Compressor, valve spring	1	All	...

## HEADLAMP

043180	Headlamp, complete with switches, ammeter and bulbs, less lighting harness	1	G2 G5	...
043181	Headlamp, complete with switch, ammeter and bulbs, less lighting harness	1	G2CS	...
043182	Shell, only, for head lamp	1	G2 G5	...
043183	Shell, only, for head lamp	1	G2CS	...
043184	Rim, only, for head lamp	1	G2 G5	...
043123	Rim, only, for head lamp	1	G2CS	...
043130	Light unit (reflector and glass)	1	All	...
043122	Clip and screw, fixing head lamp rim	1	All	...
043390	Clips securing light unit to head lamp rim (set of 4)	1	G2 G5	...
043124	Clips, securing light unit to head lamp rim (set of 4)	1	G2CS	...
043136	Holder, for bulb, main	1	All	...
043140	Holder, for bulb, pilot	1	All	...
043129	Bolts and washers, fixing head lamp to forks, set	1	All	...
000637	Spacer, head lamp, fixing bolts	2	G2CS	...

## REAR LAMP

042524	Lamp, rear, complete	1	All	...
043125	Cover, set, rear lamp	1	All	...
043126	Fixing, set, rear lamp cover	1	All	...
011094	Grommet, rubber (in mudguard), rear lamp cable	1	All	...

## BATTERY

042551	Battery, with lid (Exide 3ER7L)	1	All	...
--------	---------------------------------	---	-----	-----

## HORN

042532	Horn, only (Lucas HF 1849)	1	All	...
012873	Screw, fixing horn	2	All	...
000080	Nut, horn fixing screw	4	All	...
000039	Washer, horn fixing screw	4	All	...
011569	Horn, bulb	1	G2CS	...

## STOP LIGHT

042915	Stoptlight, complete set of parts	1	G2CS	...
042566	Switch, only, stop light	1	All	...
042567	Harness, only, stop light	1	All	...
042563	Bracket, only, stop light switch	1	G2CS	...
000344	Bolt, stop light switch	1	G2 G5	...
014577	Bolt, stop light bracket	1	G2CS	...
000005	Nut, stop light switch, bolt	1	G2 G5	...
011373	Nut, stop light switch bracket bolt	1	G2CS	...
000012	Washer, plain, stop light switch bolt	1	All	...
018764	Clip, for pull off spring	1	G2CS	...
000738	Screw for pull off spring clip	1	G2CS	...
000739	Nut for pull off spring clip screw	1	G2CS	...
000039	Washer, for pull off spring clip screw	1	G2CS	...
011908	Clip, rubber, for cable harness	2	G2CS	...
042584	Bulb, 6 volt, 18 watt S.C.C., bayonet, for stop light	1	All	...

Purchase Tax

PART NUMBER	DESCRIPTION	QTY.	USED ON	PRICE EACH £ s. d.
-------------	-------------	------	---------	-----------------------

## ALTERNATOR

042534	Alternator (rotor and stator) ...	1	G2 G5	
042723	Alternator (rotor and stator) ...	1	G2CS	...
043105	Stator, generator ...	1	G2 G5	
043155	Stator, generator ...	1	G2CS	...
043104	Rotor, generator ...	1	G2 G5	
043153	Rotor, generator ...	1	G2CS	...
043106	Leads, set (includes clip and screw) ...	1	G2 G5	
043158	Leads, set (includes clip and screw) ...	1	G2CS	...
042188	Stud, in chaincase for stator ...	3	All	...
000005	Nut, for stator stud ...	3	All	...
021479	Washer, shakeproof for stator stud ...	3	All	...
000230	Nut, retaining rotor ...	1	All	...
042195	Key, for rotor ...	1	All	...
000176	Washer for rotor nut ...	1	All	...
043108	Gaskets, set ...	1	G2 G5	
042539	Coil, ignition, with lead ...	1	G2 G5	
042741	Coil, ignition, with lead ...	1	G2CS	...
000543	Lead, for coil, 21 in. 7 m/m. ...	1	G2 G5	
000543	Lead, for coil, 12 in. 7 m/m. ...	1	G2CS	...
042709	Clip, for ignition coil ...	1	G2CS	...
000070	Bolt, fixing coil ...	2	G2 G5	
024213	Screw, coil fixing clip ...	2	G2CS	...
000005	Nut, coil fixing bolt ...	2	G2 G5	
024214	Seat "D" coil fixing clip screw ...	2	G2CS	...
000012	Washer, coil fixing bolt ...	2	G2 G5	
024215	Nut (square), coil fixing clip screw ...	2	G2CS	...
043109	Nuts, set, terminal ...	1	G2 G5	
043168	Nuts, set, terminal ...	1	G2CS	...
044073	Contact breaker, complete unit ...	1	G2 G5	
042721	Contact breaker, complete unit ...	1	G2CS	...
043118	Base plate unit ...	1	All	...
043116	Contact breaker, only ...	1	All	...
043115	Base plate, only ...	1	All	...
043117	Cam unit ...	1	G2 G5	
043154	Cam unit ...	1	G2CS	...
043113	Adaptor assembly ...	1	All	...
043114	Unit, auto advance ...	1	All	...
043110	Flyweight set ...	1	All	...
043111	Circlip and spring set ...	1	All	...
043112	Condensor set ...	1	All	...
043119	Screw and washer set ...	1	All	...
043120	Lead L.T. unit ...	1	All	...
000347	Bolt, cam unit ...	1	All	...
000012	Washer, cam unit bolt ...	1	All	...
000451	Screw, contact breaker plate ...	2	All	...
000039	Washer, contact breaker plate ...	2	All	...
042167	Cover, contact breaker ...	1	All	...
042168	Gasket, contact breaker cover ...	1	All	...
042172	Screw, contact breaker cover ...	2	All	...
042159	Grommet, contact breaker lead ...	1	All	...
042535	Rectifier, with bolt, nut and washers ...	1	G2 G5	
042738	Rectifier, with bolt, nut and washers ...	1	G2CS	...
043135	Fixing set, for rectifier ...	1	All	...

## ELECTRICAL SUNDRIES

043121	Ammeter ...	1	All	...
042538	Switch, horn and dipping ...	1	G2 G5	
042762	Switch, horn, dipping and ignition ...	1	G2CS	...
043147	Switch, complete, lighting ...	1	All	...
043148	Switch, complete, ignition ...	1	G2 G5	
043162	Cover and knob, lighting switch ...	1	All	...
043391	Cover and knob, ignition switch ...	1	G2 G5	
043131	Plug unit, lighting (blue) ...	1	All	...
043132	Plug unit, ignition (black) ...	1	G2 G5	
042537	Harness, main ...	1	G2 G5	

PART NUMBER	DESCRIPTION	QTY.	USED ON	PRICE EACH £ s.
-------------	-------------	------	---------	--------------------

**ELECTRICAL SUNDRIES—continued**

042740	Harness, main ... ..	1	G2CS	...
043134	Harness dipping switch ... ..	1	G2 G5	...
043135	Cable, dipping switch ... ..	1	G2CS	...
359218	Cable, for horn ... ..	1	All	...
043133	Connector, cable (single) ... ..	R	All	...
043138	Connector, cable (double) ... ..	R	All	...
043152	Connector, cable (triple) ... ..	R	All	...
043139	Connector, cable (quadruple) ... ..	R	All	...
015547	Plug, sparking. F.E. 80 K.L.G. ... ..	1	G2 G5	...
025529	Plug, sparking. F.E. 220 K.L.G. ... ..	1	G2CS	...
015399	Cover, sparking plug ... ..	1	G2CS	...
018995	Suppressor, interference (home) ... ..	1	G2 G5	...
042952	Suppressor, interference (home) ... ..	1	G2CS	...
373	Bulb, headlamp, main 6 volt, 30 by 24 watt, P.F. ... ..	1	All	...
			Purchase Tax	
043146	Bulb, headlamp, pilot and rearlamp ... ..	2	All	...
			Purchase Tax	

**SPEEDOMETER**

042529	Head, speedometer, only, 80 m.p.h. ... ..	1	G2	...
042736	Head, speedometer, only, 100 m.p.h. ... ..	1	G2CS	...
044037	Head, speedometer, only, 100 m.p.h. ... ..	1	G5	...
042530	Head, speedometer, only, 140 k.p.h. ... ..	1	G2	...
042737	Head, speedometer, only, 160 k.p.h. ... ..	1	G2CS	...
044038	Head, speedometer, only, 160 k.p.h. ... ..	1	G5	...
042586	Ring, rubber, for speedometer head ... ..	1	G2 G5	...
042586	Ring, rubber, for speedometer head ... ..	1	G2CS "A"	...
042531	Cable, complete, speedometer drive ... ..	1	G2 G2CS	...
044283	Cable, complete, speedometer drive ... ..	1	G5	...
52108-1-62	Cable, inner only, speedometer drive ... ..	1	G2 G2CS	...
52108-1-63	Cable, inner only, speedometer drive ... ..	1	G5	...
53398-1-62	Cable, outer only, speedometer drive ... ..	1	G2 G2CS	...
53398-1-63	Cable, outer only, speedometer drive ... ..	1	G5	...
042553	Gear box, speedometer ... ..	1	G2 G5	...
024448	Gear box, speedometer ... ..	1	G2CS	...
021454	Washer, speedometer gear box ... ..	1	G2CS	...
025180	Spacer, speedometer gear box ... ..	1	G2CS	...
021593	Nut, lock, speedometer gear box ... ..	1	G2CS	...
042774	Bracket, speedometer head mounting ... ..	1	G2CS "B"	...
000361	Bolt, speedometer head mounting bracket ... ..	1	G2CS "B"	...
000011	Washer, plain, speedometer head mounting bracket bolt ... ..	1	G2CS "B"	...
015706	Rubber, speedometer head mounting ... ..	2	G2CS "B"	...
042776	Washer, speedometer head mounting ... ..	1	G2CS "B"	...
042777	Sleeve, speedometer head mounting ... ..	1	G2CS "B"	...
040006	"O" ring, speedometer head mounting ... ..	1	G2CS "B"	...
042775	Clip, speedometer head mounting ... ..	1	G2CS "B"	...

"A" only used on G2CS with lighting equipment.  
 "B" only used on G2CS without lighting equipment.

**OPTIONAL EQUIPMENT**

**CRASH BAR**

042891	Crash bar, set, complete ... ..	1	G2 G5	...
042892	Crash bar, only ... ..	1	G2 G5	...
042893	Bracket, bottom, only ... ..	1	G2 G5	...
042896	Support, crash bar ... ..	1	G2 G5	...
042895	Clamp, crash bar ... ..	2	G2 G5	...
042897	Bolt, "U", upper, fixing crash bar, top ... ..	1	G2 G5	...
042898	Bolt, "U", lower, fixing crash bar, top ... ..	1	G2 G5	...
000012	Washer, crash bar "U" bolt ... ..	4	G2 G5	...
018160	Nut, crash bar "U" bolt ... ..	4	G2 G5	...
000303	Stud, bottom, crash bar, front engine lug ... ..	1	G2 G5	...

\* Prices upon application

PART NUMBER	DESCRIPTION	QTY.	USED ON	PRICE EACH £ s. d.
<b>PROP STAND</b>				
043389	Stand, prop, complete assembly	1	G2 G5	
042839	Stand, prop, only	1	G2 G5	
042826	Bracket, prop stand	1	G2 G5	
017147	Pin, hinge, prop stand	1	G2 G5	
014139	Nut, prop stand hinge pin	1	G2 G5	
042833	Spring, return prop stand	1	G2 G5	
024074	Stud, engine cradle, front	1	G2 G5	
042832	Stud, engine cradle, centre	1	G2 G5	
<b>REAR CARRIER</b>				
044314	Carrier, only, rear	1	G2 G5	
044325	Strip, rear mudguard support	2	G2 G5	
000360	Bolt, rear mudguard support strip	2	G2 G5	
000004	Nut, rear mudguard support strip bolt	2	G2 G5	
000011	Washer, rear mudguard support strip bolt	2	G2 G5	
000362	Bolt, fixing carrier	4	G2 G5	
000004	Nut, carrier fixing bolt	4	G2 G5	
000011	Washer, carrier fixing bolt	4	G2 G5	
<b>REAR CHAINCASE</b>				
042377	Chaincase, rear, top half, only	1	G2 G5	
042469	Chaincase, rear, bottom half, only	1	G2 G5	
000374	Bolt, fixing chaincase, front	1	G2 G5	
000372	Bolt, fixing chaincase, rear	1	G2 G5	
000011	Washer, plain, chaincase fixing bolts	2	G2 G5	
042378	Cap, rubber, chaincase inspection	1	G2 G5	
042471	Washer, rear wheel spindle	1	G2 G5	
<b>PANNIERS</b>				
043383	Panniers, complete set, with fittings (1)	1	G2	...
043384	Panniers, complete set, with fittings (1)	1	G5	...
043385	Panniers, complete set, with fittings (2)	1	G2	...
043386	Panniers, complete set, with fittings (2)	1	G5	...
042784	Frame, only, for pannier bag, left	1	G2	...
044319	Frame, only, for pannier bag, left	1	G5	...
042787	Frame, only, for pannier bag, right	1	G2	...
044320	Frame, only, for pannier bag, right	1	G5	...
042790	Bag, only, pannier	2	G2 G5	
042798	Stud, fixing pannier frame	4	G2 G5	
000074	Nut fixing pannier frame, front	2	G2 G5	
000600	Bolt, fixing pannier frame, bottom	2	G2 G5	
000011	Washer, pannier frame, bottom fixing bolt	2	G2 G5	
044323	Tube, bracing, pannier frames	1	G2 G5	
000004	Nut, pannier frame bracing tube	2	G2 G5	
000011	Washer, pannier frame bracing tube	2	G2 G5	
044325	Strip, rear mudguard support	1	G2 G5	
000360	Bolt, rear mudguard support strip	2	G2 G5	
000004	Nut, rear mudguard support strip bolt	2	G2 G5	
000011	Washer, rear mudguard support strip bolt...	2	G2 G5	
042269	Bolt, pannier frame bracing tube bracket (if carrier is fitted)	1	G2	...
000362	Bolt, pannier frame bracing tube bracket	1	G2 G5	
014340	Spacer, pannier frame bracing tube bracket bolt	1	G2	...
000004	Nut, pannier frame bracing tube bracket bolt	1	G2 G5	
000011	Washer, pannier frame bracing tube bracket bolt	1	G2 G5	

NOTE 1—If rear carrier is already fitted.

NOTE 2—If rear carrier is NOT already fitted.

\* Prices upon application

**MAINTENANCE MANUAL**

**1960 EDITION PRICE**

**IS THE APPROPRIATE MANUAL FOR THIS SPARES LIST**

PART NUMBER	DESCRIPTION	QTY.	USED ON	PRICE EACH	
				£	s. d.

### AIR CLEANER

042417	Cleaner, air	...	...	...	...	1	G2	G2CS
044032	Cleaner, air	...	...	...	...	1	G5	...
042447	Clip, air cleaner	...	...	...	...	1	G2	G5
042697	Clip, air cleaner	...	...	...	...	1	G2CS	...
042561	Connection, rubber, for air cleaner	...	...	...	...	1	G2	G2CS
044031	Connection, rubber, for air cleaner	...	...	...	...	1	G5	...
000364	Bolt, fixing air cleaner	...	...	...	...	1	G2	G5
000348	Bolt, fixing air cleaner	...	...	...	...	2	G2CS	...
021579	Washer, air cleaner fixing bolt	...	...	...	...	2	G2CS	...
042919	Cover, air cleaner	...	...	...	...	1	G2CS	...
042920	Plate, end, air cleaner cover	...	...	...	...	1	G2CS	...
042236	Air tube, short, for carburetter	...	...	...	...	1	G2	G2CS
044030	Air tube, short, for carburetter	...	...	...	...	1	G5	...

### VARIOUS EQUIPMENT

011957	"Tekall" rust preventative $\frac{1}{2}$ pint tin	...	...	...	...	R	ALL	...
011958	"Tekall" rust preventative 1 pint tin	...	...	...	...	R	ALL	...
B.M.H	Badge, monogram, Matchless, for button hole	...	...	...	...	R	ALL	...
B.M.B	Badge, monogram, Matchless, for brooch	...	...	...	...	R	ALL	...
026731	Enamel, red, $\frac{1}{8}$ pint tin...	...	...	...	...	R	ALL	...
	Instruction manual	...	...	...	...	R	ALL	...



