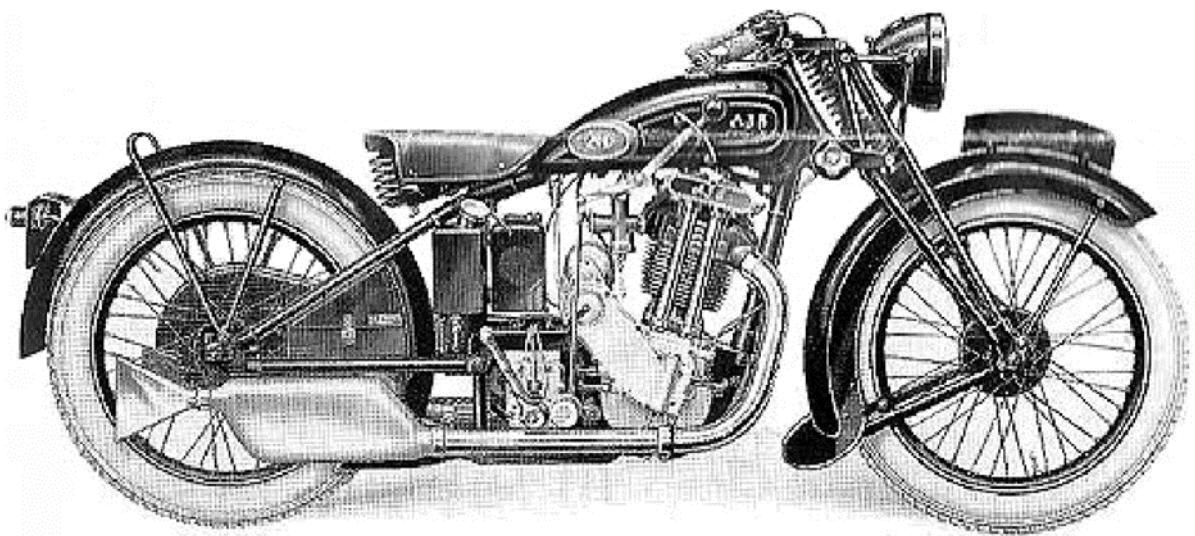


AJS

1930



R8

Steering Damper Information

4th November 2023

BY
John Ready
john.ready@outlook.com.au

AJS & Matchless Restoration Guide
1930 AJS R8 Steering Damper

CONTENTS

1. PARTS INFORMATION3
 Limitations.....3
 1930 R8 Specific Parts4
 Drawings7
 Attached drawings:.....7
 Other drawings available7

INTRODUCTION.

This guide is produced to allow the author to collate the information needed to identify parts that I continue to acquire. I hope that this information is of value to other collectors.

My interest is assembling bikes which are correct for the year and model. Whilst all the bikes are not necessarily “correct” I am always on the look out for the “correct” part. Like all addicts, I will never “be finished”.

All Chapters of this guide are “works in progress” and so will be updated as new information comes to hand and time allows. I invite others to provide additional information and corrections.

DISCLAIMER.

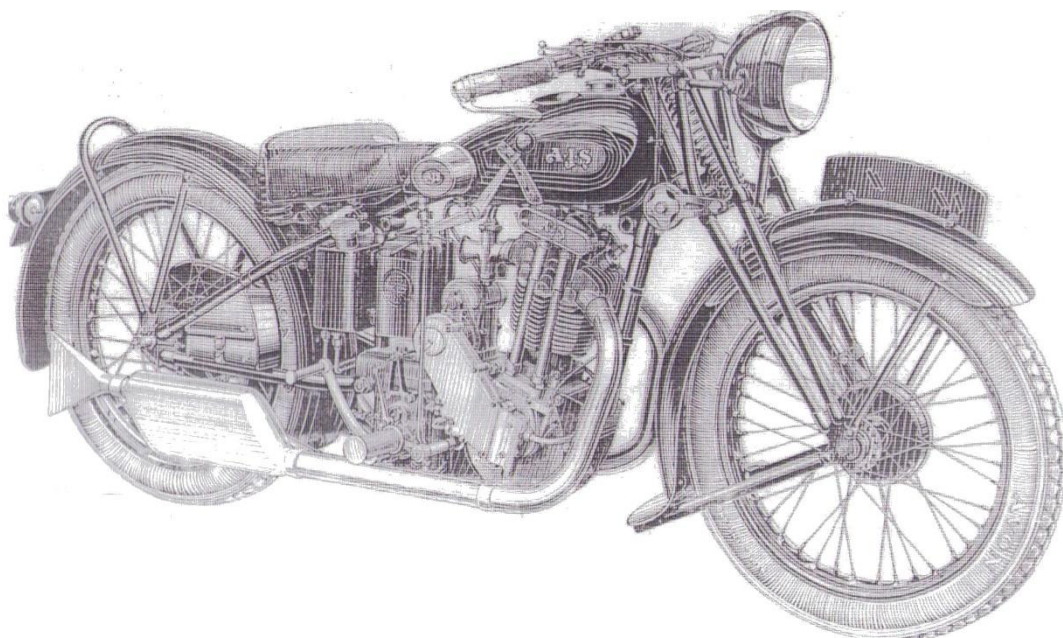
This Restoration Guide has been prepared solely for the use of John Ready. Use by any other party is completely at the risk of that party.

John Ready neither undertakes or accepts any liability in any way whatsoever to any other, in respect of the data herein contained including any errors or omissions however caused.

COPYRIGHT STATEMENT.

Many images are those of other people from the internet. Unfortunately, I cannot acknowledge these parties as I do not know who they are. Most are from the various Spare Parts Manuals produced by A.J. Stevens, Matchless and later by AMC. My thanks to those whose images allow this guide to function.

As the copyright, if any, cannot be identified, this publication is not for commercial gain but is designed to assist AJS and Matchless fanatics to sort their parts and ease the sourcing of parts for particular models.



1. PARTS INFORMATION

The Spare Parts Books for a number of years have been used to prepare the information presented here.

LIMITATIONS

There are no detailed illustrations of the assembly or the individual parts in the Spare Parts books of this time. After 1932 they did improve but usually these were only generic images to demonstrate what the part might look like – they don't allow positive identification of specific parts by Part Number and illustration.



Figure 1: View of the general layout of the Steering Damper.

In all tables used to show Part information in this document there are a few “rules” to follow. The Spare Parts Books use different names for the same or similar items across the years. There are also at least 5 different part numbering systems used with many of the same parts being used across the different systems. To allow searching of my Parts Database there are conventions I have used to “normalise” the information. This is shown in Figure 2.

Parts Book Name	This is the name from the Spare Parts Book;
Part No. To Use	This is the latest Part Number assigned to this part across the different systems;
Parts Book Name	This is the name or description of the part as listed in the Spare Parts Book;
Name Common	This is a representative name for the same or similar Part Number situation usage. It is usually from a later Parts Book where a more solid “system” had developed for naming the parts.

AJS & Matchless Restoration Guide

1930 AJS R8 Steering Damper

1930 R8 SPECIFIC PARTS

There are some Parts that are specific to the model R8 and R9. All the parts for the 1930 R8 Steering Damper are listed in Figure 2.

Parts Book Part No.	Part No. To Use	Parts Book Name	Name Common
RB481	RB 481	Steering damper complete	Damper, steering, complete set of parts
RB561	RB 561	Steering damper drawbolt with knob	Drawbolt, with knob for damper
RB601	16288	Steering damper Slide Bolt	Sleeve, for damper drawbolt
RB641	16286	Steering Damper Friction Washer	Friction washer (grey fibre)
RB1421	RB 1421	Steering Damper Spring Disk	Washer, spring, star, for friction discs
RB681	RB 681	Bolt for Steering Damper Spring Plate, 5/16 x 26 Shouldered, Hex Head	Bolt, fixing plate to crown
RB721	16287	Steering Damper Anchor Plate	Steel plate (fixed to frame)
RB761	16387	Anchor Pin for Steering Damper Friction plate, 1/4 x 3/8 x 27	Bolt, fixing anchor plate to frame
ZB2730	2878	Washer for Anchor Pin for Steering Damper Friction Plate, 1/4" Plain	Washer, for anchor plate to frame bolt
MA500	2885	Washer for Anchor Pin for Steering Damper Friction Plate, 1/4" Single Spring	Washer, spring, for steering damper anchor bolt
RA780	11798	Steering Damper Fibre Washer	Friction washer, steering damper
RA800	11711	Steering Damper Steel Washer	Washer, metal, for steering damper control
RA740	2884	Steering Damper Washer 3/8 Double Spring	Washer, double spring, for steering damper
ZA6830	2888	Steering Damper Washer 5/16 Plain	Washer, plain, 5/16"
RB805	RB 805	Steering damper Cotter	Pin, split, for steering damper drawbolt

Figure 2: The 1930 R8 Steering Damper parts list.

Luckily, there are a number of parts shared across the next few years going forward, but only a few going backwards. Also, many of the parts are shared a cross many models. The list of models across a few years are given in the Table below.

Some of the Parts listed below may carry through to 1934, 1935 & 1936 but are not entered into the Database yet. At a quick glance 1934 saw many of the Matchless parts starting to filter through.

AJS & Matchless Restoration Guide

1930 AJS R8 Steering Damper

DescriptionCommon	PartNoCommon	1929	1930	1931	1932	1933	1938
<input type="checkbox"/> Bolt, fixing anchor plate to frame	16387						
<input type="checkbox"/> Bolt, fixing plate to crown	RB 681						
<input type="checkbox"/> Damper, steering, complete set of parts	RB 481						
<input type="checkbox"/> Drawbolt, with knob for damper	RB 561						
<input type="checkbox"/> Friction washer (grey fibre)	16286						
<input type="checkbox"/> Friction washer, steering damper	11798						
<input type="checkbox"/> Pin, split, for steering damper drawbolt	RB 805						
<input type="checkbox"/> Sleeve, for damper drawbolt	16288						
<input type="checkbox"/> Steel plate (fixed to frame)	16287						
<input type="checkbox"/> Washer, double spring, for steering damper	2884						
<input type="checkbox"/> Washer, for anchor plate to frame bolt	2878						
<input type="checkbox"/> Washer, metal, for steering damper control	11711						
<input type="checkbox"/> Washer, plain, for steering damper	2888						
<input type="checkbox"/> Washer, spring, for steering damper anchor bolt	2885						
<input type="checkbox"/> Washer, spring, star, for friction discs	RB 1421						

Figure 3: Steering Damper parts used around the R8 time.

A break down of the Models is provided in the Table on the following page.

AJS & Matchless Restoration Guide

1930 AJS R8 Steering Damper

Parts Book Part No.	Part No. To Use	Parts Book Name	Name Common	1929	1930 Models	1931	1932	1933
RB481	RB 481	Steering damper complete	Damper, steering, complete set of parts		R8, R9			
RB561	RB 561	Steering Damper Drawbolt with Knob	Drawbolt, with knob for damper		R4, R6, R8, R9			
RB601	16288	Steering damper Slide Bolt	Sleeve, for damper drawbolt		R4, R6, R8, R9	S4, S6, S7, S8, S9H, S9L, S10	TB6, T8, T9	6, 8, B8, 9
RB641	16286	Steering Damper Friction Washer	Friction washer (grey fibre)		R2, R4, R5, R6, R8, R9, R12	S2 (Home), S2 (Export), S4, S5, S6, S7, S8, S9H, S9L, S10, S12	T5, T6, TB6, T8, TB8, T9	5, B6, 6, 7, 8, B8, 9, 10, 12
RB1421	RB 1421	Steering Damper Spring Disk	Washer, spring, star, for friction discs		R2, R4, R5, R6, R8, R9, R12	S2 (Home), S2 (Export), S4, S5, S6, S7, S8, S9H, S9L, S10, S12		
RB681	RB 681	Bolt for Steering Damper Spring Plate, 5/16 x 26 Shouldered, Hex Head	Bolt, fixing plate to crown		R2, R4, R5, R6, R8, R9, R12	S2 (Home), S2 (Export), S4, S5, S6, S7, S8, S9H, S9L, S10, S12		
RB721	16287	Steering Damper Anchor Plate	Steel plate (fixed to frame)		R4, R6, R8, R9	S4, S6, S7, S8, S9H, S9L, S10	T6, T8, TB8, T9	6, 7, 8, B8, 9, 10
RB761	16387	Anchor Pin for Steering Damper Friction plate, 1/4 x 3/8 x 27	Bolt, fixing anchor plate to frame		R2, R4, R5, R6, R8, R9, R12	S4, S5, S6, S7, S8, S9H, S9L, S10, S12	T5, T6, T8, TB8, T9	5, 6, B6, 7, 8, B8, 9, 10, 12
ZB2730	2878	Washer for Anchor Pin for Steering Damper Friction Plate, 1/4" Plain	Washer, for anchor plate to frame bolt		R2, R4, R5, R6, R8, R9, R12	S2 (Home), S2 (Export), S4, S5, S6, S7, S8, S9H, S9L, S10, S12	T5, T6, TB6, T8, TB8, T9	5, B6, 6, 7, 8, B8, 9, 10, 12
MA500	2885	Washer for Anchor Pin for Steering Damper Friction Plate, 1/4" Single Spring	Washer, spring, for steering damper anchor bolt		R2, R4, R5, R6, R8, R9, R12	S2 (Home), S2 (Export), S4, S5, S6, S7, S8, S9H, S9L, S10, S12	T5, T6, TB6, T8, TB8, T9	
RA780	11798	Steering Damper Fibre Washer	Friction washer, steering damper	M1, M2, M3, M4, M6, M7, M8, M9, M10	R2, R4, R5, R6, R8, R9, R12	S2 (Home), S2 (Export), S4, S5, S6, S7, S8, S9H, S9L, S10, S12	T5, T6, TB6, T8, TB8, T9	5, B6, 6, 7, 8, B8, 9, 10, 12
RA800	11711	Steering Damper Steel Washer	Washer, metal, for steering damper control	M1, M2, M3, M4, M6, M7, M8, M9, M10	R2, R4, R5, R6, R8, R9, R12	S2 (Home), S2 (Export), S4, S5, S6, S7, S8, S9H, S9L, S10, S12		5, B6, 6, 7, 8, B8, 9, 10, 12
RA740	2884	Steering Damper Washer 3/8 Double Spring	Washer, double spring, for steering damper	M1, M2, M3, M4, M6, M7, M8, M9, M10	R2, R4, R5, R6, R8, R9, R12	S2 (Home), S2 (Export), S4, S5, S6, S7, S8, S9H, S9L, S10, S12	T5, T6, TB6, T8, TB8, T9	5, B6, 6, 7, 8, B8, 9, 10, 12
ZA6830	2888	Steering Damper Washer 5/16 Plain	Washer, plain, 5/16"	M1, M2, M3, M4, M6, M7, M8, M9, M10	R2, R4, R5, R6, R8, R9, R12	S2 (Home), S2 (Export), S4, S5, S6, S7, S8, S9H, S9L, S10, S12	T5, T6, TB6, T8, TB8, T9	5, B6, 6, 7, 8, B8, 9, 10, 12
RB805	RB 805	Steering damper Cotter	Pin, split, for steering damper drawbolt		R2, R4, R5, R6, R8, R9, R12	S2 (Home), S2 (Export), S4, S5, S6, S7, S8, S9H, S9L, S10, S12		

AJS & Matchless Restoration Guide

1930 AJS R8 Steering Damper

The common Parts also appear on different parts of the machines and are listed for “some” Year/Models in the Table below. As well, there is a list of which Parts drawings are available for – unfortunately, as this stage this is limited to the very standard parts.

DRAWINGS

ATTACHED DRAWINGS:

11711 Washer

2888 Washer,

OTHER DRAWINGS AVAILABLE

RA 520 Steering Damper Knob.

Arnie Eriksen has a drawing for the Steering Damper Knob which was fitted to the 1929 model. In 1930 the Knob is not offered separately but is likely to be the same part fitted to a slightly changed drawbar.

PN_11711 Washer.dwg

14.10.2022

J Ready

4

3

2

1

D

D

C

C

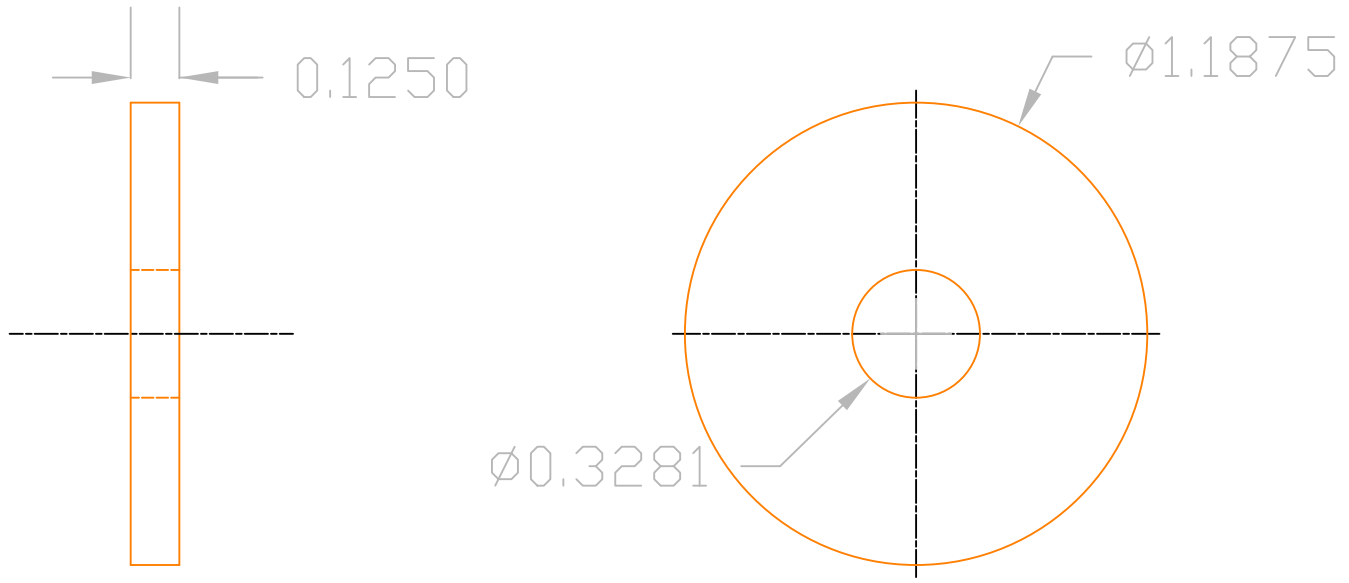
B

B

A

A

REVISIONS				
ZONE	REV	DESCRIPTION	DATE	APPROVED



N.B.: These dimensions are taken from the 1933 AIS Parts Book,
 Washer, 5/16", Large Diameter, for steering Damper.

This would be a slide fit over the 5/16" Drawbolt.
 Natural finish.

FILE NAME	14/10/2022		
CONTRACT NO	####		
DRAWN	All dimensions in Inches		
CHECK	PN_11711.dwg		
APPR.	Washer, 5/16", Large Dia.		
ISSUED	SIZE	FSCM NO	DWG NO
		-	
	SCALE	1	WEIGHT
			SHEET 001

4

3

2

1

PN_2888 Washer.dwg

14.10.2022

J Ready

4

3

2

1

D

D

C

C

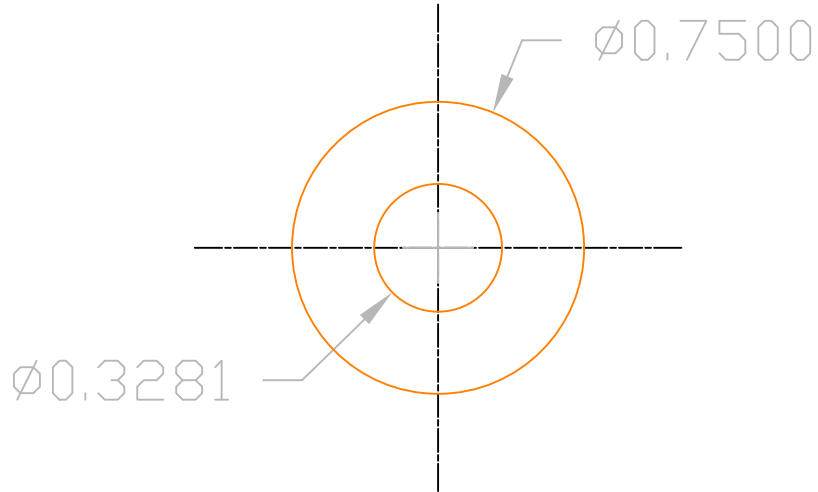
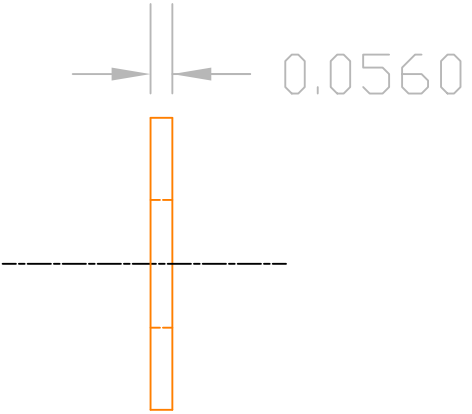
B

B

A

A

REVISIONS				
ZONE	REV	DESCRIPTION	DATE	APPROVED



N.B.: These dimensions are taken from the 1933 AIS Parts Book,
Washer, 5/16", General Purpose.

Clearance to slide over the shank of a 5/16" bolt.
Parkerised finish.

FILE NAME 14/10/2022			
CONTRACT NO ####			
DRAWN			
CHECK			
APPR.			
ISSUED			
SIZE	FSCM NO	DWG NO	REV
	-		
SCALE 1		WEIGHT	SHEET 001

All dimensions in Inches
PN_2888.dwg
Washer, 5/16".

4

3

2

1