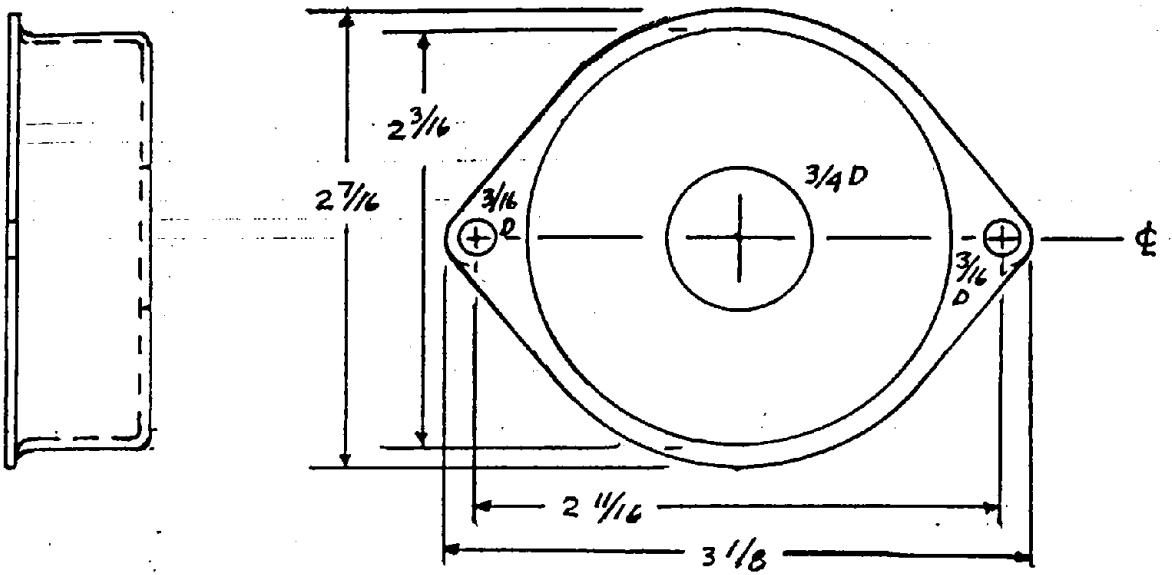
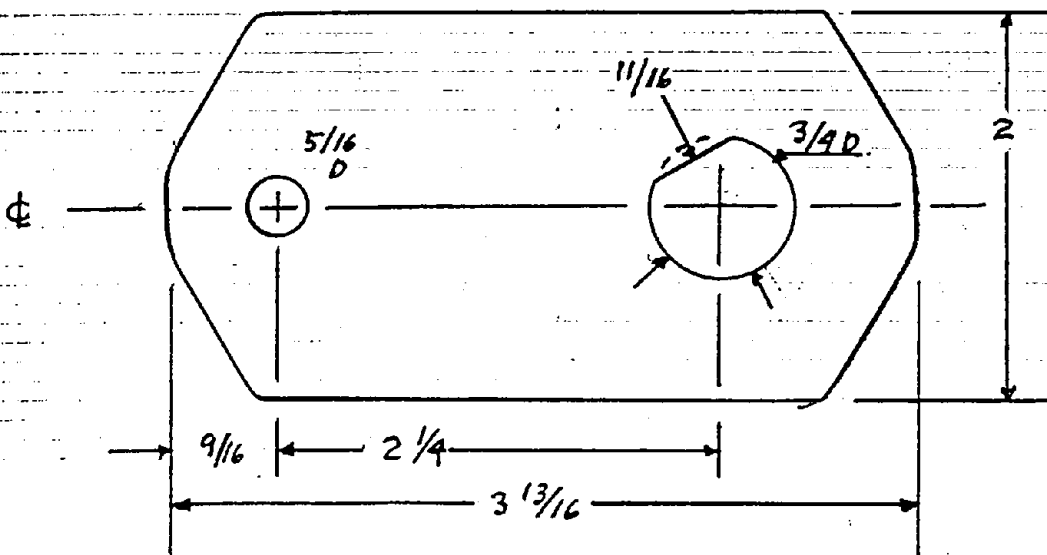


027078 COVER (2 REQ'D)
1960-UP COMPETITION



MAT'L: 0.040 STEEL

026354 BRACKET LIGHTING SWITCH
1960-UP COMPETITION



MAT'L: 1/16 STEEL

DON MADDEN
7/17/92