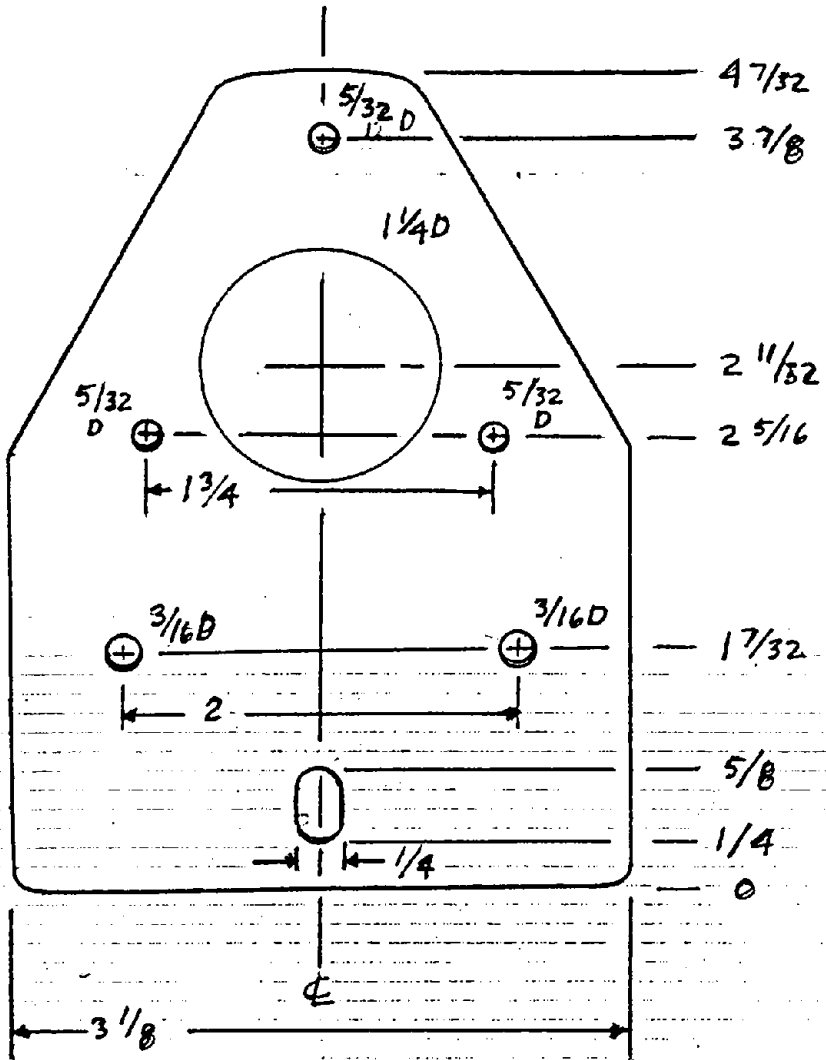
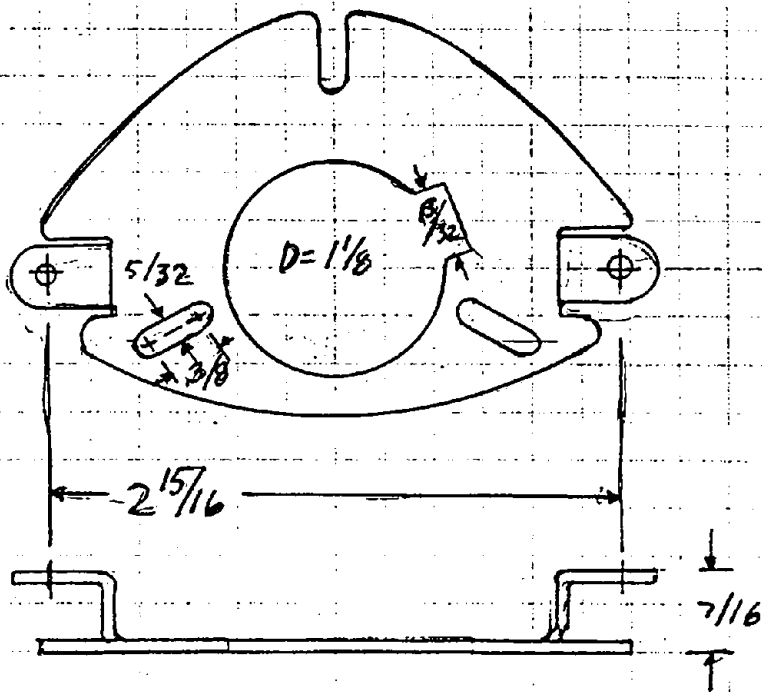


MOUNTING PLATE, TYPE 529
 COMPETITION TAIL LAMP



MAT'L: 0.060 ALUM.

TRACING OF OUTLINE OF
METAL BRACKET IN TYPE 529
(COMPETITION) TAIL LAMP



DON MADDEN
7/8/92