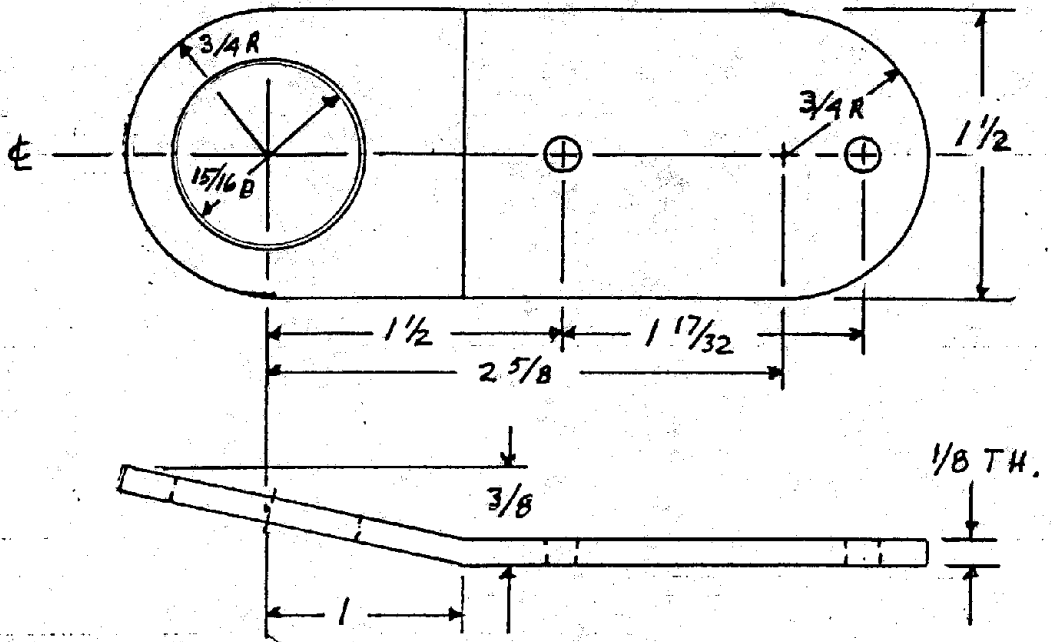
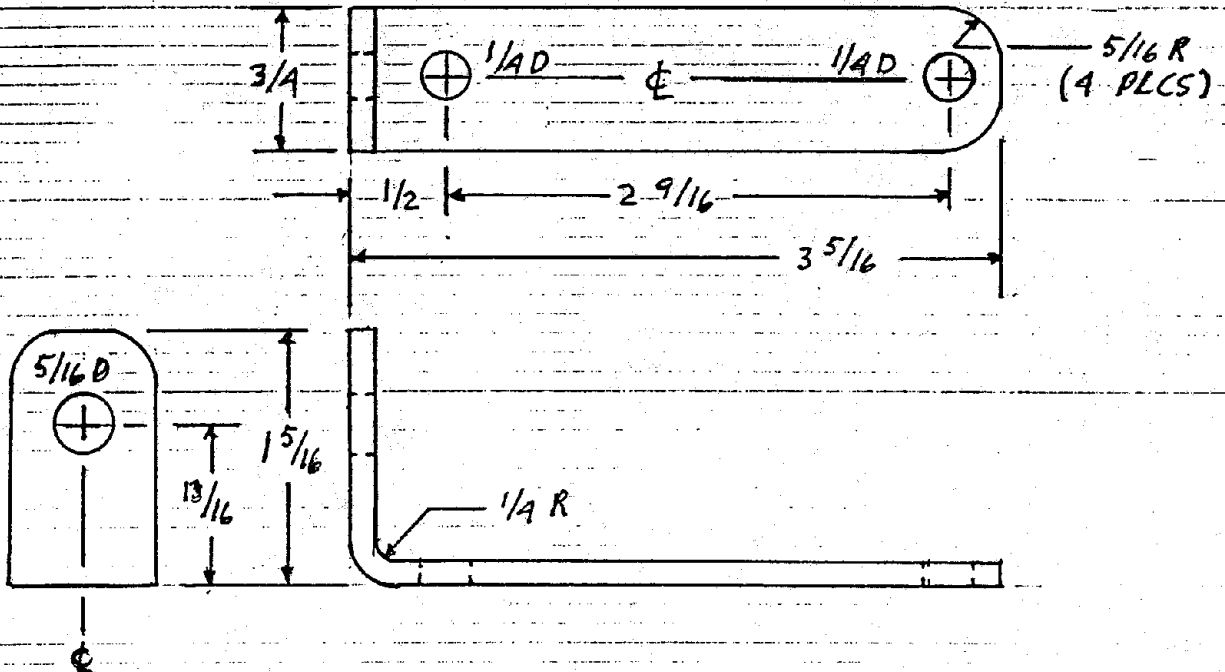


STOP SWITCH BRACKET  
 AMC NO. 022032



SPEEDOMETER BRACKET  
 AMC NO. 023626



DON MADDEN  
 7/16/92