

CE825/65

*This publication incorporates NVS2163,
2206 and 2213 which should be destroyed.*



LUCAS

**QUALITY
EQUIPMENT AND
SPARE PARTS**

1965 - A.M.C

**(A.J.S. — MATCHLESS — NORTON
FRANCIS BARNETT — JAMES)**

**JOSEPH LUCAS (Sales & Service) LIMITED
BIRMINGHAM 18 · ENGLAND**



EQUIPMENT SPECIFICATIONS AND PAGE INDEX

A.J.S. & MATCHLESS MOTOR CYCLES

UNIT	See Page	A.J.S. 350 c.c. '16C' 'Experts' Matchless 350 c.c. 'G3C' 'Maestro'		A.J.S. 350 c.c. '16' 'Sceptre' 500 c.c. '18' 'Statesman' Matchless 350 c.c. 'G3' 'Mercury' 500 c.c. 'G80' 'Major'		Competition Models A.J.S. 500 c.c. '18CS' 'Southerner' Matchless 500 c.c. 'G80CS' 'Marksman'	
		Model	Part No.	Model	Part No.	Model	Part No.
ALTERNATOR	6	—	—	RM19	*54021027	RM19	†54021027
Stator	6	—	—	—	47162A	—	47162A
Rotor	6	—	—	—	54213901	—	54213901
AMMETER	6	—	—	2AR	36296A	2AR	‡36296A
BATTERY	—	—	—	PUZ7E-11	24082087	MLZ9E	‡54028263
CABLE HARNESS	9	—	—	—	54932308	—	‡54932304
CABLE HARNESS, Later	9	—	—	—	54937260	—	—
COIL, IGNITION	6	—	—	MA6	45152A/B	—	—
CONTACT BREAKER, 500 c.c.	6	—	—	4CA	47615A	—	—
CONTACT BREAKER, 350 c.c.	6	—	—	4CA	47618A/B	—	—
HORN	7	—	—	8H	70163A/B	8H	†70163A/B
HORN PUSH AND DIPPER SWITCH	10	—	—	255A	31563D	255A	‡31563D
LAMPS							
Driving (formerly Head)	8	—	—	MCH61	59171A	SS700P	‡58829A/B
Home and Export	8	—	—	MCH61	††59252A	—	—
Export Europe, not France	8	—	—	MCH61	59172A	—	—
Export France	8	—	—	MCH61	59173A	—	—
Stop tail, number plate and reflex	9	—	—	564	53432B/D	564	‡53432B/D
Stop tail, number plate and reflex	9	—	—	—	—	679	‡53972A/B
MAGNETO	7	NC1	*42347E (42371)	NI-4	‡42272B	NC1	*42347E (42371)
RECTIFIER	6	—	—	2D5506	49072A	2D5506	‡49072A
SWITCHES							
Lighting	10	—	—	885A	34289A	415A	‡31784D
Knob (supplied separately)	10	—	—	—	54330934	—	—
Ignition	10	—	—	885A	34427B	—	—
Cover (supplied separately)	10	—	—	—	54336178	—	—
Stop lamp	10	—	—	22B	31383A/B	22B	*31384B (5403235) 315543
Spring	10	—	—	—	—	—	—
REAR SUSPENSION UNIT (Serviced by Girling Ltd.)	—	—	4493(SB4)	—	4493(SB4)	—	4392(SB4)

UNIT	See Page	Competition Models A.J.S. 650 c.c. '31CSR' 'Hurricane' Matchless 650 c.c. 'G12CSR' 'Monarch' 12 Volt		Coil Ignition A.J.S. 650 c.c. '31' 'Swift' Matchless 650 c.c. 'G12' 'Majestic' 12 Volt		Optional Magneto Ignition A.J.S. 650 c.c. '31' 'Swift' Matchless 650 c.c. 'G12' 'Majestic' 12 Volt		A.J.S. 750 c.c. '33CS' Matchless 750 c.c. 'G15CS' Export only A.J.S. 750 c.c. '33' Matchless 750 c.c. 'G15' Mk. II Home and Export 12 Volt	
		Model	Part No.	Model	Part No.	Model	Part No.	Model	Part No.
ALTERNATOR	6	RM19	*54021027	RM19	*54021027	RM19	*54021027	RM19	*54021027
Stator	6	—	47162A	—	47162A	—	47162A	—	47162A
Rotor	6	—	54213901	—	54213901	—	54213901	—	54213901
AMMETER	6	2AR	36296A	2AR	36296A	2AR	36296A	2AR	36296A
BATTERY (2 off)	—	MKZ9E-2	54028050	MKZ9E-2	54028050	MKZ9E-2	54028050	MKZ9E-2	54028050
CABLE HARNESS	9	—	54935009	—	54934821	—	54935009	—	54935167
CABLE HARNESS (EUROPE)	9	—	—	—	—	—	—	—	54935009
CABLE HARNESS (U.S.A.)	9	—	54935167	—	—	—	—	—	—
COIL, IGNITION (2 off)	6	—	—	MA12	45110A/D	—	—	—	—
CONTACT BREAKER	6	—	—	4CA	47617A/B	—	—	—	—
DIODE, ZENER	6	ZD715	49345A	ZD715	49345A	ZD715	49345A	ZD715	49345A
HORN	7	6H	70159B/D	6H	70159B/D	6H	70159B/D	6H	70159B/D
HORN PUSH AND DIPPER SWITCH	10	255A	31563D	255A	31563D	255A	31563D	255A	31563D
LAMPS									
Driving (formerly Head)	8	MCH61	‡59252A	MCH61	59237A	MCH61	59252A	SS700P	59281A
Home and Export	8	SS700P	59281A	—	—	—	—	—	—
Export U.S.A.	8	MCH61	59254A	MCH61	59238A	—	—	MCH61	59254A
Export Europe, not France	8	—	—	MCH61	59239A	—	—	—	—
Export France	8	—	—	MCH61	564	564	53454B/D	—	—
Stop tail, number plate and reflex	9	564	53454B/D	—	—	—	—	564	53454B/D
Stop tail, number plate and reflex U.S.A.	9	679	53973A/B	564	53454B/D	—	—	679	53973A/B
MAGNETO	7	K2F	*42264D (42413)	—	—	K2F	*42264D (42413)	K2F	42453A
AUTO ADVANCE UNIT	—	—	—	—	—	—	—	—	47508D
RECTIFIER	6	2D5506	49072A	2D5506	49072A	2D5506	49072A	2D5506	49072A
SWITCHES									
Cut-out	10	4A	76204D	—	—	4A	76204D	4A	76204D
Lighting	10	885A	34289A	885A	34289A	885A	34289A	885A	34289A
Knob (supplied separately)	10	—	54330934	—	54330934	—	54330934	—	54330934
Ignition	10	—	—	885A	34427B	—	—	—	—
Cover (supplied separately)	10	—	—	—	54336178	—	—	—	—
Stop lamp	10	22B	31383A/B	22B	31383A/B	22B	31383A/B	22B	31383A/B
REAR SUSPENSION UNIT (Serviced by Girling Ltd.)	—	—	4493(SB4)	—	4493(SB4)	—	4493(SB4)	—	4590(SB4)

* For reference only, serviced by Rotor and Stator. † When ordering quote part number shown in brackets. ‡ Optional for Home. § Export. ¶ Home. †† Optional when Magneto is fitted.

This scan is explicit for non-commercial use and is not intended for financial or material gain by anyone



EQUIPMENT SPECIFICATIONS AND PAGE INDEX

NORTON MOTOR CYCLES

UNIT	See Page	249 c.c. 'Jubilee' 349 c.c. 'Navigator'		400 c.c. 'ES400' Home 'Electra' U.S.A. 12 Volt		350 c.c. '50' Mk. II 500 c.c. 'ES2' Mk. II	
		Model	Part No.	Model	Part No.	Model	Part No.
ALTERNATOR	6	—	—	—	—	RM19	*54021027
Stator	6	—	—	—	—	—	47162A
Rotor	6	—	—	—	—	—	54213901
AMMETER	6	—	—	—	—	2AR	36296A
BATTERY	—	—	—	—	—	PUZ7E-11	24082087
CABLE HARNESS	9	—	—	—	—	—	54932308
CABLE HARNESS, Later	9	—	—	—	—	—	549327260
COIL IGNITION	6	—	—	—	—	MA6	45152A/B
CONTACT BREAKER, 500 c.c.	6	—	—	—	—	4CA	47615A
CONTACT BREAKER, 350 c.c.	6	—	—	—	—	4CA	47618A/B
HORN	7	8H	70163A/B	8H	70164A/B	8H	70163A/B
HORN PUSH AND DIPPER SWITCH	10	—	—	—	—	255A	31563D
LAMPS							
Driving (formerly Head)							
Home and Export	8	—	—	—	—	MCH61	59171A
Export Europe, except France	8	—	—	—	—	MCH61	†59252A
Export France	8	—	—	—	—	MCH61	†59172A
Stop tail, number plate and reflex	9	564	53432B/D	564	53454B/D	564	53432B/D
Stop tail, number plate and reflex, U.S.A.	9	—	—	679	53973A/B	—	—
MAGNETO	7	—	—	—	—	—	†42272B
RECTIFIER	6	—	—	—	—	NI-4	49072A
STARTING MOTOR	6	—	—	M3	26509A	2DS506	—
SWITCHES							
Lighting	10	—	—	—	—	885A	34289A
Knob (supplied separately)	10	—	—	—	—	—	54330934
Ignition	10	—	—	—	—	885A	34427B
Cover (supplied separately)	10	—	—	—	—	—	5433617B
Stop lamp	10	—	—	—	—	22B	31383A/B
Solenoid, starting motor	10	—	—	25T	76464E/F	—	—
REAR SUSPENSION UNIT	—	—	3939(SB3)	—	3939(SB3)	—	—
(Serviced by Girling Ltd.)	—	—	‡4359(SB3)	—	—	—	—

UNIT	See Page	497 c.c. 'Dominator 885S' 647 c.c. 'Dominator 650SS' 12 Volt		650 c.c. 'Manxman' (U.S.A. only) 750 c.c. 'Atlas' 12 Volt		750 c.c. 'N15CS' Export 750 c.c. 'N15' Home and Export	
		Model	Part No.	Model	Part No.	Model	Part No.
ALTERNATOR	6	RM19	*54021027	RM19	*54021027	RM19	*54021027
Stator	6	—	47162A	—	47162A	—	47162A
Rotor	6	—	54213901	—	54213901	—	54213901
AMMETER	6	—	36296A	2AR	36296A	2AR	36296A
BATTERY (2 off)	—	MKZ9E-2	54028050	MKZ9E-2	54028050	MKZ9E-2	54028050
CABLE HARNESS	9	—	54932248	—	54935175	—	54935167
CABLE HARNESS (Europe)	9	—	54934995	—	—	—	54935009
DIODE, ZENER	6	ZD715	49345A	ZD715	49345A	ZD715	49345A
HORN	7	6H	70159B/D	6H	70159B/D	6H	70159B/D
HORN PUSH AND DIPPER SWITCH	10	255A	31563D	255A	31563D	255A	31563D
LAMPS							
Driving (formerly Head)							
Home and Export, vertical dip	8	MCH61	59252A	SS700P	59281A	SS700P	59281A
Export Europe, except France	8	MCH61	59254A	—	—	MCH61	59254A
Export France	8	MCH61	59253A	—	—	—	—
Stop tail, number plate and reflex	9	564	53454B/D	564	53454B/D	564	53454B/D
Stop tail, number plate and reflex, U.S.A.	9	—	—	679	53973A/B	679	53973A/B
MAGNETO	7	K2F	42453A	K2F	42453A	K2F	42453A
AUTO ADVANCE UNIT	7	—	47508D	—	47508D	—	47508D
RECTIFIER	6	2DS506	49072A	2DS506	49072A	2DS506	49072A
SWITCHES							
Lighting	10	885A	34289A	885A	34289A	885A	34289A
Knob (supplied separately)	10	—	54330934	—	54330934	—	54330934
Magneto cut-out	10	4A	76204D	4A	76204D	4A	76204D
Stop lamp	10	22B	31383B	22B	31383B	22B	31383A/B
REAR SUSPENSION UNIT	—	—	4423(SB3)	—	4423(SB3)	—	—
(Serviced by Girling Ltd.)	—	—	—	—	—	—	—

¶ For reference only, serviced by Rotor and Stator. ‡ Navigator only. † Option †† Optional when magneto is fitted ° Europe and France. °° Home and Export.



EQUIPMENT SPECIFICATIONS AND PAGE INDEX

FRANCIS-BARNETT MOTOR CYCLES

UNIT	See Page	'Plover'		'Fulmar' 'Sports Fulmar' 'Trials' and 'Scrambler'		'Cruiser' and 'Sports Cruiser'		'Falcon'	
		Model	Part No.	Model	Part No.	Model	Part No.	Model	Part No.
BATTERY	—	PUZ5E-10	24082044	—	—	MLZ9E	54028263	MLZ9E	54028263
HORN	7	—	—	—	—	8H	70163A/B	8H	70163A/B
LAMPS	9	—	—	—	—	529	**53331A/B	529	53331A/B
Stop tail	10	—	—	—	—	RER25	**57124A	RER25	57124A
REFLECTOR	10	WS11	78118A	WS11	78118A	WS11	78118A	WS11	78118A
SUPPRESSOR	10	—	—	—	—	** 22B	31511A/B	22B	31511A/B
SWITCHES	10	—	—	—	—	—	—	—	—
Stop lamp	10	—	—	—	—	—	—	—	—
REAR SUSPENSION UNIT (Serviced by Girling Ltd.)	—	—	3125	—	§ 4402(D4)	—	4060(SB3)	—	SB3/235AB

JAMES MOTOR CYCLES

UNIT	See Page	'Comet' 'Commando' and 'Cotswold'		'Cadet'		'Captain' 'Sports Captain' and 'Sports Superswift'		Scooter	
		Model	Part No.	Model	Part No.	Model	Part No.	Model	Part No.
BATTERY	—	—	—	PUZ5E-10	24082044	MLZ9E	54028263	MLZ9E	54028263
HORN	7	—	—	—	—	8H	70163A/B	8H	70163A/B
SUPPRESSOR	10	WS11	78118A	WS11	78118A	WS11	78118A	WS11	78118A
SWITCH	10	99	††*31549A/B (31482)	—	—	—	—	—	—
Dip	10	—	—	—	—	—	—	—	—
REAR SUSPENSION UNIT (Serviced by Girling Ltd.)	—	—	††3125	—	3125	—	4198(SC3-8)	—	4266(SC3-8)
... ..	—	—	SB4/253A/D	—	—	—	†4258(SC3-8)	—	§ 4331(D4)

§ Front suspension unit. ** 'Cruiser' only. †† 'Comet' only. * When ordering, quote part number shown in brackets. † 'Sports Superswift' only.



ALTERNATOR AND RECTIFIER

Part No.	54021027
Model	RM19
Rotor	54213901
Stator	47162A
Rectifier	49072A
Fixing nut	156594

AMMETER

Part No.	36296A
Model	2AR
Nut, terminal	166043
Washer, terminal	185040

COILS, IGNITION

Part No.	45110A/D	45152B
Model	MA12	MA6
Grommet, rubber	421554	421554
Clip, cable contact	421863	421863
Nut, terminal	166043	166043
Connector, Lucar	54190108	54190108

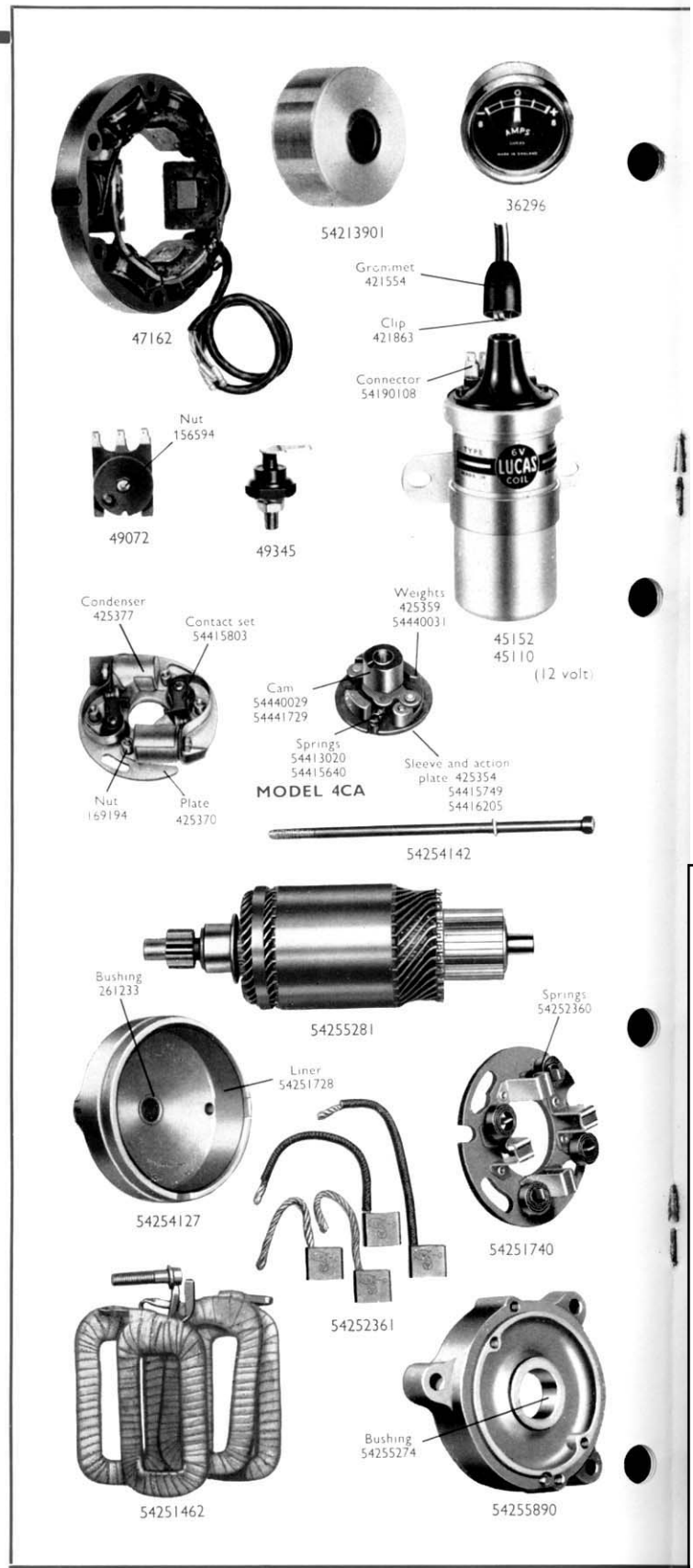
CONTACT BREAKER UNITS

Part No.	47615A	47617A/B	47618A/B
Model	4CA	4CA	4CA
Contact set	54415803	54415803	54415803
Nut, fixing condenser angle plate	169194	169194	169194
Condenser	425377	425377	425377
Plate contact breaker base	425370	425370	425370
Cam... ..	54440029	54441729	54440029
Springs, auto advance(set of 2)	54415640	54413020	54413020
Weights, auto advance	54440031	425359	54440031
Sleeve, and action plate	54415749	425354	54416205

STARTING MOTOR

Part No.	26509A
Model	M3
Bolt, through fixing	54254142
Brushes, set	54252361
Bracket or frame, commutator end	54254127
Bushing, bearing	261233
Liner, insul C.E.	54251728
Plate, with brushes, boxes and springs	54251740
Springs, set, brush tension	54252360
Bracket D.E.	54255890
Bushing, D.E. bracket	54255274
Armature	54255281
Coils, field, set	54251462
Sundry parts set,	54252417

† For reference only, serviced by Rotor and Stator.





MAGNETOS



Part No.	Model	42264D K2F	42453A K2F
Clip, pick up cover	...	455734	—
Cover, pick up (rubber)	...	458658	—
Pick up, right hand	...	458367	458367
Pick up, left hand	...	458368	458368
Brush and spring	...	451260	451260
Nut, moulded H.T. cable	...	410600	410600
Pin and spring securing cover	...	458613	—
Cover, contact breaker	...	458619	459269
Brush and contact	...	—	455190
Cap, breather or baffle	...	—	459266
Contact breaker	...	492854	492854
Contact set	...	54440888	54440888
Control parts, set	...	463107	—
Cover, rubber	...	454475	—
Plunger, controlling cam	...	454969	—
Cam	...	458725	459130
Plate, housing contact breaker	...	458726	54440096
Cup, insulating breaker	...	451379	451379
Nut, securing gear to shaft	...	170109	—
Armature	...	459004	459004
Slip ring	...	455361	455361
Bearing, contact breaker, end	...	189291	189291
Bearing, driving end	...	189244	189244
Seal, oil, bearing	...	459002	459002
Cup, bearing insulating	...	459005	459005
Pin and spring, securing pick-up	...	458370	458370
Brush, spring and holder, earthing	...	455191	455191
Brush and spring, earthing	...	455190	455190
Sundry parts set	...	458675	458675

Part No.	Model	42272A/B N14	42347E NC1
Pick up	...	463066	456794
Brush and Spring	...	451260	451260
Nut, moulded H.T. cable	...	410600	410600
Cover, contact breaker	...	460061	459199
Contact breaker	...	460051	492854
Contact set	...	484098	54440888
Tappet, celeron	...	464092	—
Control parts, set	...	463107	459005
Cover, rubber	...	454475	454475
Clip, securing cover	...	—	455734
Plunger, controlling cam	...	454969	—
Ring, jump fixing cam	...	455347	—
Cam	...	493178	459321
Plate, housing contact breaker	...	464317	459313
Cup, insulating breaker	...	451379	463932
Nut, securing gear to shaft	...	170109	170109
Spring and pin	...	451315	—
Armature	...	454385	493176
Slip ring	...	454496	464277
Bearing, contact breaker, end	...	189291	189294
Bearing, driving end	...	189291	189294
Seal, oil, bearing	...	—	459033
Cup, bearing insulating	...	451379	463932
Washer, leather, oil excluding	...	458375	—
Brush, spring and holder, earthing	...	455191	455191
Brush and spring, earthing	...	455190	455190
Sundry parts set	...	454697	454697

AUTO ADVANCE UNIT

Part No.	Model	47508D
Spring, set	...	498157

HORNS

Part No.	Model	70159B/D	70163A/B
Bracket	...	6H	70164A/B
Sundry parts set	...	—	8H
			54680850
			54681085



DRIVING LAMPS

Part No.	59171A	59172A	59237A 59252A MCH61
Model	MCH61	MCH61	MCH61
Rim or door	553248	553248	553248
Wire, fixing light unit	504665	504665	504665
Screw, fixing rim	144921	144921	144921
Plate, fixing rim	534296	534296	534296
Ammeter (see page 6 for details)	36296	36296	36296
Switch, lighting (see page 10 for details)	34289	34289	34289
Knob, with screw, switch	54330934	54330934	54330934
Screw, fixing knob	101371	101371	101371
Switch, ignition (see page 10 for details)	34427	34427	*34427
Key, ignition	54336176	54336176	*54336176
Light unit	516798	555275	516798
Bulbholder, main	554602	554602	554602
Sleeve, terminal	555910	555910	555910
Bulbholder, pilot	554710	554710	554710
Interior, bulbholder	553780	553780	553780
Ring, seating bulbholder	554354	554354	554354
Washer, cable grip	516285	516285	516285
Bush, rubber	505980	505980	505980
Grommet, trip cable	199001	199001	199001
Screw, fixing lamp	112201	112201	112201
Bulb, main	312	403	446
Bulb, pilot	988	988	989

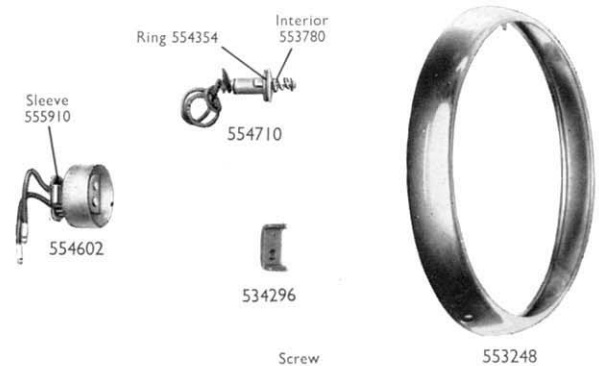
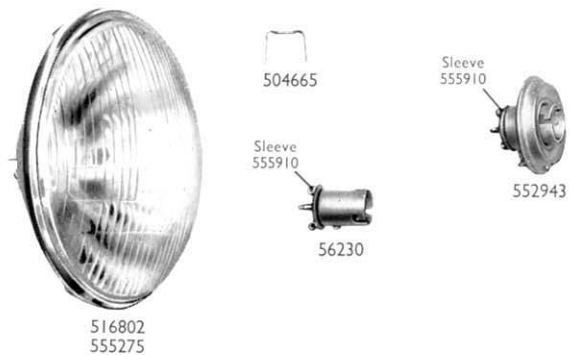
Part No.	59238A 59254A MCH61	59173A MCH61	59239A 59253A MCH61
Rim or door	553248	553248	553248
Wire, fixing light unit	504665	504665	504665
Screw, fixing rim	144921	144921	144921
Plate, fixing rim	534296	534296	534296
Ammeter (see page 6 for details)	36296	36296	36296
Switch, lighting (see page 10 for details)	34289	34289	34289
Knob, with screw, switch	54330934	54330934	54330934
Screw, fixing knob	101371	101371	101371
Switch, ignition (see page 10 for details)	34427	34427	*34427
Key, ignition	†54336176	544336176	†544336176
Light unit	555275	516802	516802
Bulbholder, main	554602	—	—
Sleeve, terminal	555910	—	—
Backshell	—	552943	552943
Bulbholder	—	562303	562303
Sleeve, terminal	—	555910	555910
Bulbholder, pilot	554710	554710	554710
Interior, bulbholder	553780	553780	553780
Ring, seating bulbholder	554354	554354	554354
Washer, cable grip	516285	516285	516285
Bush, rubber	505980	505980	505980
Grommet, trip cable	199001	199001	199001
Screw, fixing lamp	112201	112201	112201
Bulb, main	370	—	—
Bulb, main (59254A only)	350	—	—
Bulb, pilot	989	988	989

Part No.	58829B S5700P	59281A S5700P
Rim or door	553248	553248
Wire, fixing	504665	504665
Screw, fixing rim	144921	144921
Plate, fixing rim	534296	534296
Ammeter (see page 6 for details)	36296	36296
Light unit	516798	516798
Bulbholder, main	554602	554602
Sleeve, terminal	555910	555910
Bulbholder, pilot	554710	554710
Interior, pilot	553780	553780
Ring, seating bulbholder	554354	554354
Screw, fixing lamp	112201	112201
Grommet, cable	199002	—
Connector, single	900288	—
Screw, fixing plug	133303	—
Nipple, cable	900269	—
Bulb, main	312	446
Bulb, pilot	988	989

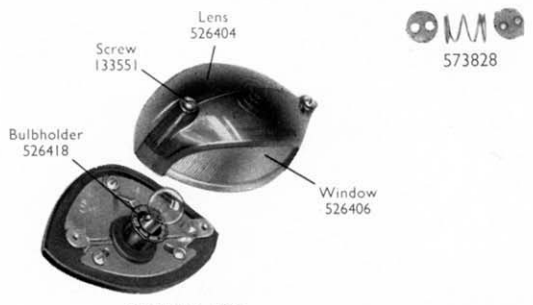
‡ 59238A Only. † 59239A Only. * 59237A Only.



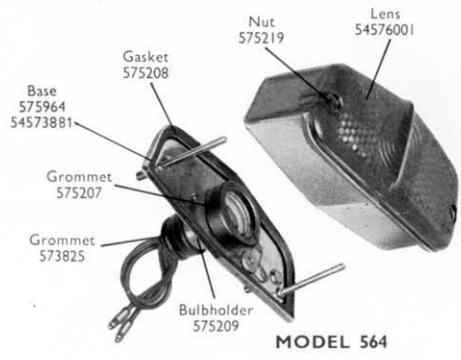
MODEL MCH61



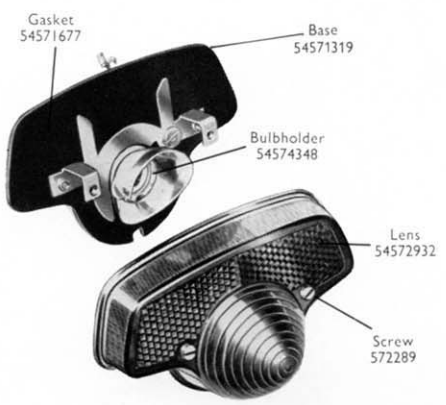
MODEL S5700P



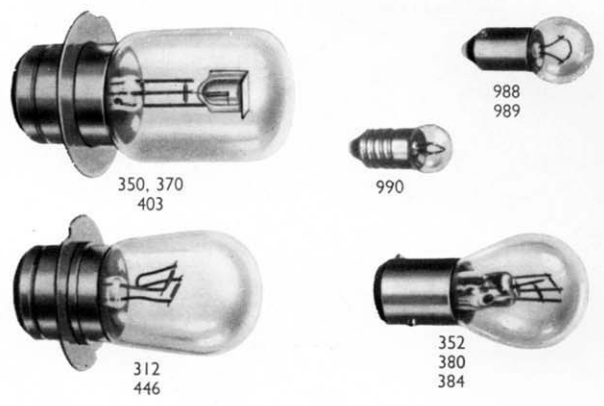
MODEL 529



MODEL 564



MODEL 679



STOP TAIL, REFLEX AND NUMBER PLATE LAMPS

Part No.	53331A/B	53432B/D	53454B/D
Model	529	564	564
Lens	526404	54576001	54576001
Window	526406	—	—
Screw, fixing lens	133551	—	—
Nut, barrel, fixing lens	—	575219	575219
Gasket, seating lens	—	575208	575208
Base	—	54573881	575964
Grommet, bulbholder	—	575207	575207
Bulbholder	526418	575209	575209
Interior, bulbholder	573828	573828	573828
Grommet, cable entry	—	573825	573825
Bulb	352	384	380

Part No.	53972A/B	53973A/B
Model	679	679
Lens	54572932	54572932
Screw, fixing lens	572289	572289
Bulbholder, with reflector	54574348	54574348
Interior, bulbholder	573828	573828
Base	54571319	54571319
Gasket, seating lamp	54571677	54571677
Bulb	384	380

BULBS

Part No.	Volt	Watts	Description
312	6	30/24	Transverse, vertical dip
350	12	35/35	Transverse, vertical dip
352	6	18/3	Transverse, offset pin
370	12	45/40	Transverse, vertical dip
380	12	21/6	Transverse, offset pin
384	6	18/6	Transverse, offset pin
403	6	35/35	Bow, hooded axial
446	12	50/40	Transverse, vertical dip
988	6	3	Coil, miniature bayonet cap
989	12	6	Coil, miniature bayonet cap
990	6	3	Coil

CABLE HARNESSSES

Part No.	54932248	54934821
...	54932304	54934995
...	54932308	54935009
...	—	54935175
Nipple	900269	900269
Connector tube (4-way)	—	850641
Connector tube (2-way)	900288	900288
Lucar connector (17.5 amp)	54942078	54942078
Lucar connector (17.5 amp double)	54942747	54942747
Lucar connector (35 amp)	—	54942079

Part No.	54935167	54937260
Nipple	900269	900269
Connector tube (4-way)	—	850641
Connector tube (2-way)	900288	900288
Lucar connector (17.5 amp)	54942078	54942078
Lucar connector (17.5 amp double)	54942747	54190030
Lucar connector (35 amp)	54942079	—
Bulbholder	—	862847
Bulb	—	990

This scan is explicit for non-commercial use and is not intended for financial or material gain by anyone



MAGNETO CUT-OUT SWITCH

Part No.	76204D
Model	4A
Screw, terminal	119520
Screw, fixing	135480
Nut, fixing	153491

LIGHTING SWITCH

Part No.	31784A/D	34289A
Model	41SA	88SA
Knob	351815	†54330934
Screw, fixing	—	319333
Washer, knob fixing	185038	—
Socket with cables	—	†54930007

HORN PUSH AND DIPPER SWITCH

Part No.	31563D
Model	25SA
Screw, terminal	120610

IGNITION SWITCH

Part No.	34427B
Model	88SA
Key	54336176
Cover	†54336178
Socket with cables	†54930008

STOP LAMP SWITCH

Part No.	31384B	31383B
Model	22B	31511B
							22B
Spring	315543	—

DIPPER SWITCH

Part No.	31549A/B
Model	99
Screw, fixing	121964

STARTER SOLENOID SWITCH

Part No.	76464E/F
Model	2ST
Connector, Lucar (Fuse box)...	54190013
Connector, Lucar (Control box or Ammeter)	54190014
Connector, Lucar (Starter push)	54190015
Washer, spring, terminal	185040
Cap, end rubber	763119

REFLEX REFLECTOR

Part No.	57124A
Model	RER25
Rim, reflex	54570241

† Order separately.





LUCAS

EQUIPMENT & SPARE PARTS

N. V. S.

2163

AJS and MATCHLESS
1965 Advance Information

Listed below are recent equipment changes to vehicles shown
in Spares List CE 825 - 1964 edition.

AJS 350cc '16' and 500cc '18'
Matchless 350cc 'G3' and 500cc 'G80'
AJS 650cc '31' and Matchless 'G12'
Coil Ignition (12 volt)

ALTERNATOR

Part No.	54021027
Model	RM19

Rotor	54213901
Stator	47162

Cable Harness	54937260
('16', '18', 'G3' and 'G80' only)	

JOSEPH LUCAS (SALES & SERVICE) LTD · BIRMINGHAM 18 · ENGLAND