

LUCAS

Quality

EQUIPMENT



MOTOR-CYCLE EQUIPMENT DETAILS
AND SPARE PARTS FOR

A.J.S. and MATCHLESS

50-G9 498 c.c. O.H.V. TWIN

50-G3LC 347 c.c. O.H.V. COMPETITION

50-16MC 347 c.c. O.H.V. COMPETITION

50-16 347 c.c. O.H.V.

50-G3LS 347 c.c. O.H.V.

50-20 498 c.c. O.H.V. SPRING TWIN

G80C 498 c.c. O.H.V. COMPETITION

50-18C 498 c.c. O.H.V. COMPETITION

50-18 498 c.c. O.H.V.

50-G80S 498 c.c. O.H.V.

1950



JOSEPH LUCAS LTD · BIRMINGHAM 19 · ENGLAND

LUCAS

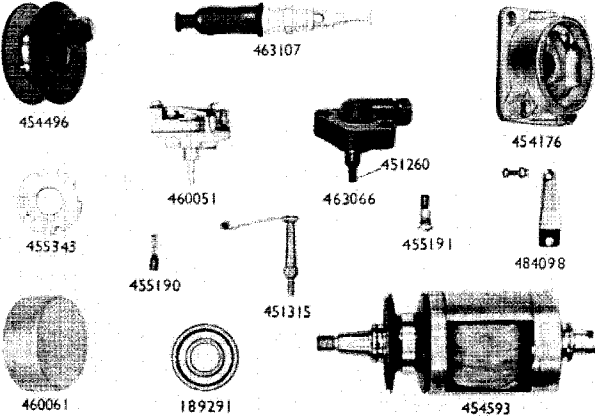
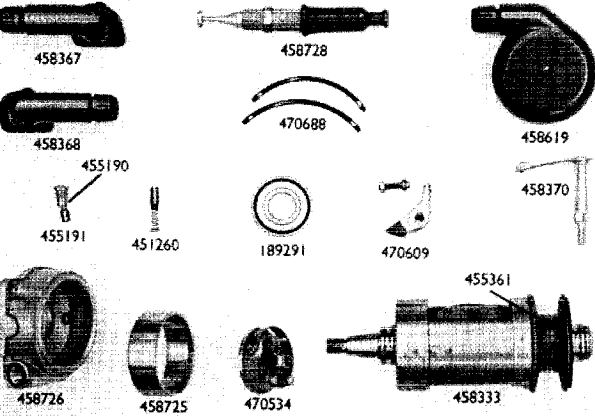
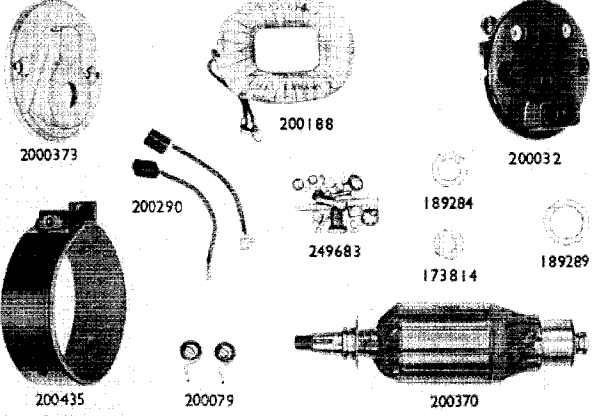
ORIGINAL EQUIPMENT

A.J.S. and MATCHLESS EQUIPMENT SPECIFICATION

UNIT	MODEL & TYPE	SERVICE No.	SERVICED BY	REMARKS
DYNAMO	E3AR/0 Anti-clock	200430	200430	347 and 498 c.c. models
	E3L Anti-clock	20009B	20009B	} Spring Twin A.J.S. and Matchless Super Clubman
MAGNETO	K2F Anti-clock	42180A	42180A	
SPANNER		415116	415116	
MAGNETO	N1/4	42020D	42020D	347 and 498 c.c. models
SPANNER		460076	470076	347 and 498 c.c. models
MAGNETO	NR1 Anti-clock	42179E	42179E	Competition models (wading magnetos)
REGULATOR	MCR2	37097B	37097B	A.J.S. Spring Twin and Matchless Super Clubman
	MCR1	33018A	33018A	347 and 498 c.c. models
BATTERY	PUW7E/4			
LAMP, HEAD	SSU700P	50788B	50788B	
	MU42	50791A	50791A	For competition models
SWITCH, DIPPER	No. 99	380521	380521	
LAMP, TAIL	467/2	53139B	53139B	
	MT211	53056A	53056A	For competition models
HORN	HF1234	70039A	069225	
HORN PUSH	4A	762164	762164	
SWITCH, MAGNETO	4A	762164	762164	A.J.S. Spring Twin and Matchless Super Clubman
CABLES		994001	994001	
		994521	994521	Competition models
REGULATOR CABLES		995031	995031	
		989981	989981	



LUCAS SPARE PARTS

ILLUSTRATION	DESCRIPTION OF PART	ORDERING No.
 <p>454496 463107 455343 455190 460061 460051 451260 463066 455191 451315 484098 454176 454593</p>	<p>MAGNETO, NI/4 A0/0 42020</p> <p>Pick-up 463066</p> <p>Brush and spring 451260</p> <p>Cover, contact breaker 460061</p> <p>Contact breaker, complete 460051</p> <p>Contact set 484098</p> <p>Cam 455343</p> <p>Control parts, set 463107</p> <p>Spring and pin (contact breaker cover) 451315</p> <p>Plate, contact breaker end 454176</p> <p>Armature 454593</p> <p>Slip ring 454496</p> <p>Bearing, A15 189291</p> <p>Brush, spring and holder 455191</p> <p>Brush and spring 455190</p>	
 <p>458367 458368 455190 455191 451260 458726 458725 470688 189291 470609 458619 458370 455361 458333</p>	<p>MAGNETO, K2F SM8 42180</p> <p>Pick-up assembly, left hand 458368</p> <p>Pick-up assembly, right hand 458367</p> <p>Brush and spring 451260</p> <p>Cover, contact breaker 458619</p> <p>Contact breaker 470534</p> <p>Contact set 470609</p> <p>Springs, set, lever actuating 470688</p> <p>Cam 458725</p> <p>End plate, contact breaker 458726</p> <p>Armature 458333</p> <p>Slip ring 455361</p> <p>Bearing 189291</p> <p>Brush, spring and holder 455191</p> <p>Brush and spring (contact breaker earth) 455190</p> <p>Spring pin assembly 458370</p> <p>Control parts, set 458728</p>	
 <p>2000373 200290 200435 200079 200188 249683 189284 173814 189289 200032 200037 200370</p>	<p>DYNAMO, E3AR/0 A05/1 200430</p> <p>Brush set 200290</p> <p>Band cover 200435</p> <p>Bracket, commutator end 200032</p> <p>Bearing, commutator end 189284</p> <p>Spring set, brush tension 200079</p> <p>Bearing, drive end 189289</p> <p>Bracket, drive end 200373</p> <p>Nut, shaft 173814</p> <p>Armature 200370</p> <p>Coils, field, set 200188</p> <p>Sundry parts, kit 249683</p>	



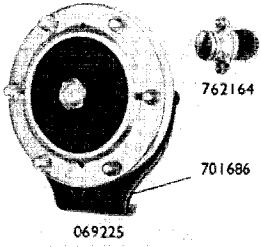
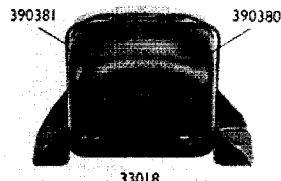
LUCAS SPARE PARTS

ILLUSTRATION	DESCRIPTION OF PART	ORDERING No.
	DYNAMO, E3L L10 20009 Band cover 200609 Brush set 200737 Cover assembly, commutator end 200718 Bracket, commutator end 200713 Bearing, commutator end 189210 Springs, set, brush tension 220197 Brushgear 200738 Bearing, drive end 189307 Bracket, drive end 220760 Armature 200712 Coils, field 200731 Plate assembly, drive end 200761 Sundry parts, set 200762	
	HEADLAMP, MU42 50791 Rim assembly... .. 509484 Wire, glass fixing 500291 Glass 550875 Panel 308312 Ammeter 364455 Switch 351551 Bead, rubber 553065 Reflector 553147 Bulb holder 504801 Bulb holder, interior 500181 Plug 859260 Socket... .. 809795 HEADLAMP, SSU700P 50788 Rim assembly... .. 553248 Wire, reflector fixing 504665 Panel 30917 Ammeter 36084 Switch 351551 Unit, light 516364 Bulb holder, double contact 504801 Backshell assembly 516368 LAMP, TAIL, MT211 53056 Cover assembly 526232 Flange assembly 526239 LAMP, TAIL, 467/2 53139 Body 572604 Window 572611 Gasket 572595 Grommet 572039 Set of sundries 572588 SWITCH, Dipper, No. 99 380521 BULBS Headlamp, main 168 Headlamp, pilot 988 Headlamp, pilot 200 Tail lamp 988 Tail lamp 200	



This scan is explicit for non-commercial use and is not intended for financial or material gain by anyone

LUCAS SPARE PARTS

ILLUSTRATION	DESCRIPTION OF PART	ORDERING No.
	<p>HORN, Electric, HF1234 ...</p> <p>Bracket 701686</p> <p>Push, 4A 762164</p> <p>SWITCH, Magneto, 4A 762164</p> <p>CONTROL BOX, MCR1 L31 33018</p> <p>Cover 390380</p> <p>Clip 390381</p> <p>CONTROL BOX, MRC2 37097</p> <p>Cover 391454</p> <p>Clip 391453</p>	
		

SERVICE NOTES AND TEST DATA

6 VOLT EQUIPMENT

NEGATIVE EARTH RETURN

DYNAMO

200430.

Single wound pole; compensated voltage control; anti-clockwise rotation viewed from driving end.

Crossed connections will cause serious damage to the regulator. Connect lead with **YELLOW IDENTITY TAG** to main terminal, and **GREEN AND BLACK TRACER CABLE** to field terminal.

TEST DATA

Dynamo cold:

Cutting-in speed 1,250—1,500 r.p.m. at 7.0 dynamo volts.

Output 5.0 amps. at 1,900—2,200 r.p.m. at 7.0 dynamo volts, taken on 1.4 ohm resistance load without regulator. (Resistance must be able to carry 7.5 amps. without overheating).

Brush tension 10—15 ozs.

Field resistance 3.2 ohms.

DYNAMO

20009 E and H. Matchless Super Clubman and A.J.S. Spring Twin.

TEST DATA

Dynamo cold:

Cutting-in speed 1,050—1,200 r.p.m. at 6.5 dynamo volts.

Output 8.5 amps. at 1,850—2,000 r.p.m. at 7.0 dynamo volts, taken on 0.8 ohm resistance load without regulator. (Resistance must be able to carry 10 amps. without overheating).

Brush tension 16—20 ozs.

Field resistance 2.8 ohms.

MAGNETO

Anti-clockwise rotation viewed from driving end.

Contact breaker gap .012"—.015".

Condenser capacity 0.1—0.14 microfarad.



CONTROL BOX Houses cut-out and dynamo voltage regulator.

TEST DATA

- (a) Cut-out. Cut-in voltage 6.3—6.7 volts.
 Drop-off voltage 4.5—5.0 volts.
- (b) Regulator. Setting at 10° C. (50° F.) 7.8—8.2 volts.
 Setting at 20° C. (68° F.) 7.8—8.2 volts.
 Setting at 30° C. (86° F.) 7.7—8.15 volts.
 Setting at 40° C. (104° F.) 7.6—8.1 volts.

HEADLAMP Correct lamp setting is important to prevent dazzle.
All except competition models incorporate Lucas light unit.

HORN All Models.
High-frequency type.
Current consumption 4 amps. (approx.).

BATTERY Capacity 12 ampere hours, at 10 hour rate.

The importance of carefully carrying out the initial charging of the battery cannot be overstressed, as in the early stages of its life it can be completely ruined by non-adherence to the following charging instructions.

Carefully break seals in filling holes and half fill each cell with dilute sulphuric acid, specific gravity 1.270. The battery should be allowed to stand at least six hours before further electrolyte is added.

Allow to stand a further two hours before commencing charge.

Initial charge rate 0.8 amperes for approximately 50 hours.

Correct electrolyte to 1.280—1.300 at completion of charge when voltage and specific gravity remain constant.

The figures given are for Home Trades and climates ordinarily below 80°F. (27°C.).

For sub-tropical climates between 80°—100°F. (27—38°C.) the appropriate figures are: Filling, 1.245; Fully charged, 1.250—1.270.

For tropical climates over 100°F. (38°C.) the figures are: Filling 1.220; Fully charged, 1.220—1.240.

For complete charging instructions, see Lucas Publication No. 732A.

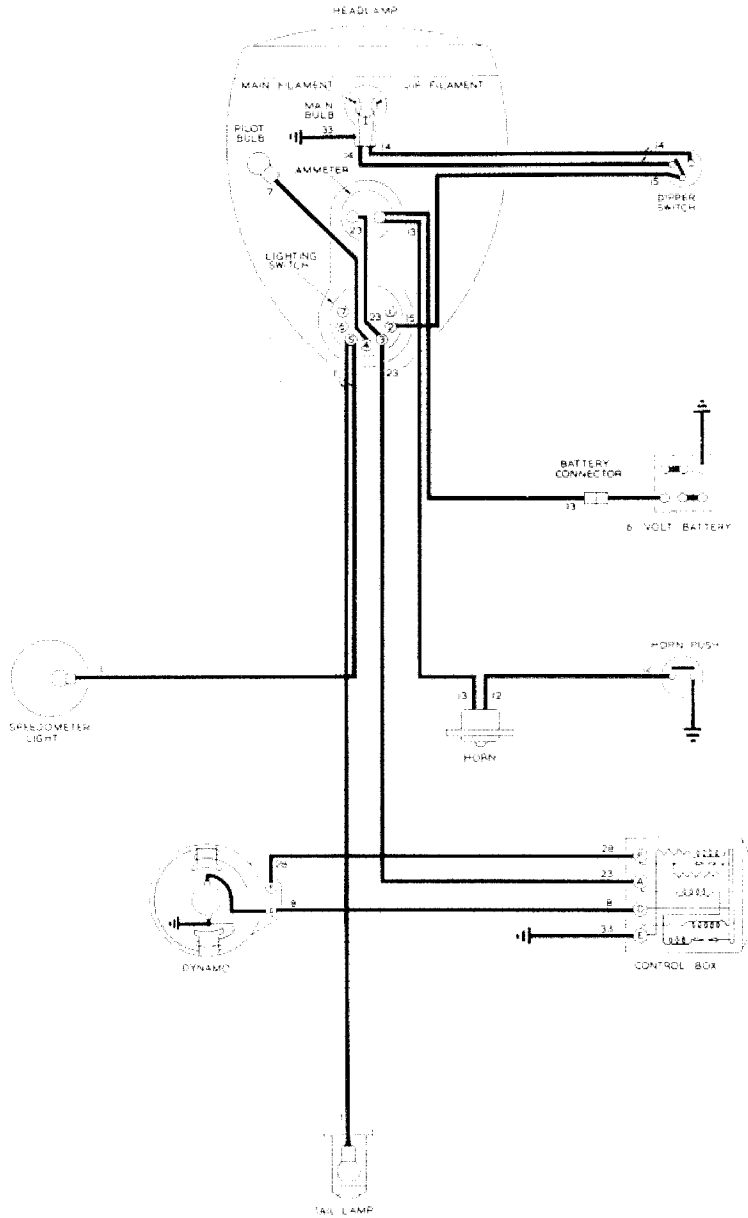
Recharge at 1.5 amperes.

Battery should be topped up to the level of separators, using distilled water only.

Battery terminals should be kept clean, and connectors tight.

LUCAS ELECTRICAL EQUIPMENT

A.J.S. and MATCHLESS MAGNETO IGNITION



KEY TO CABLE COLOURS

1 RED	12 YELLOW & PURPLE	23 WHITE & PURPLE
2 RED & YELLOW	13 YELLOW & BLACK	24 WHITE & BLACK
3 RED & BLUE	14 BLUE	25 GREEN
4 RED & WHITE	15 BLUE & WHITE	26 GREEN & BROWN
5 RED & GREEN	16 BLUE & GREEN	27 GREEN & PURPLE
6 RED & BROWN	17 BLUE & BROWN	28 GREEN & BLACK
7 RED & BLACK	18 BLUE & PURPLE	29 BROWN
8 YELLOW	19 BLUE & BLACK	30 BROWN & PURPLE
9 YELLOW & BLUE	20 WHITE	31 PURPLE
10 YELLOW & GREEN	21 WHITE & GREEN	32 PURPLE & BLACK
11 YELLOW & BROWN	22 WHITE & BROWN	33 BLACK

WIRING DIAGRAM

No. W91481

6-VOLT