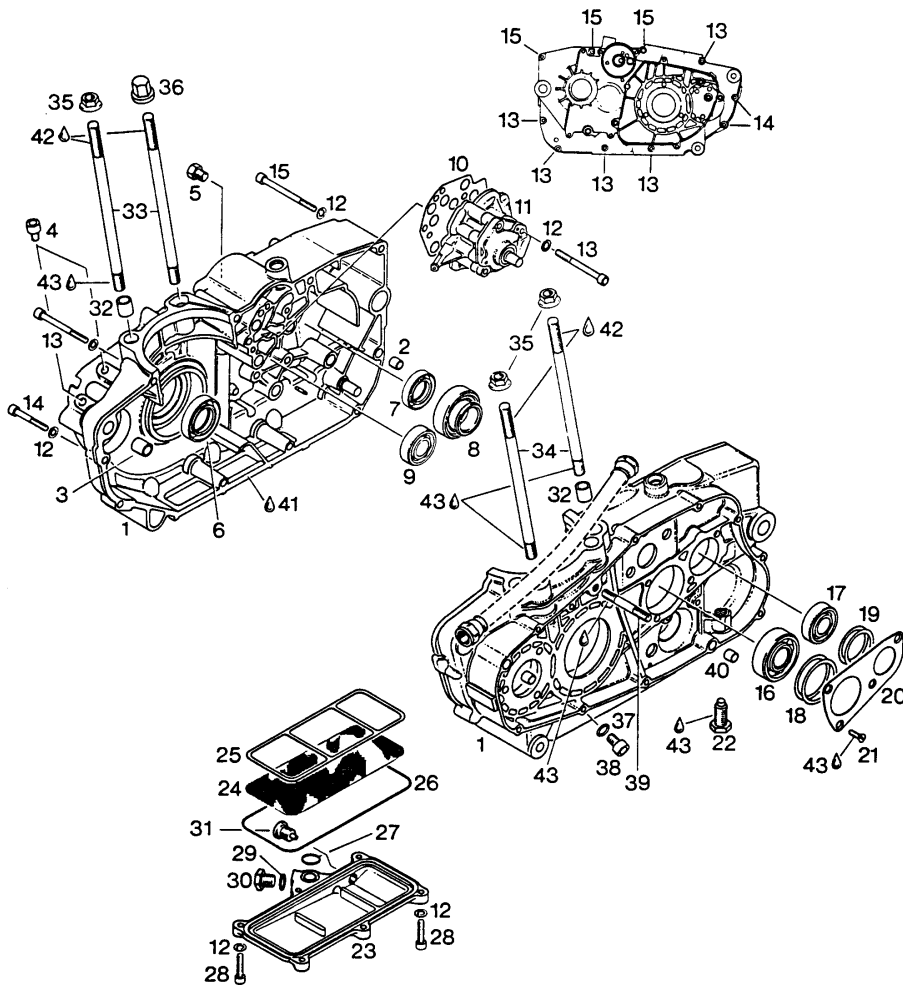


## TABLE OF CONTENTS

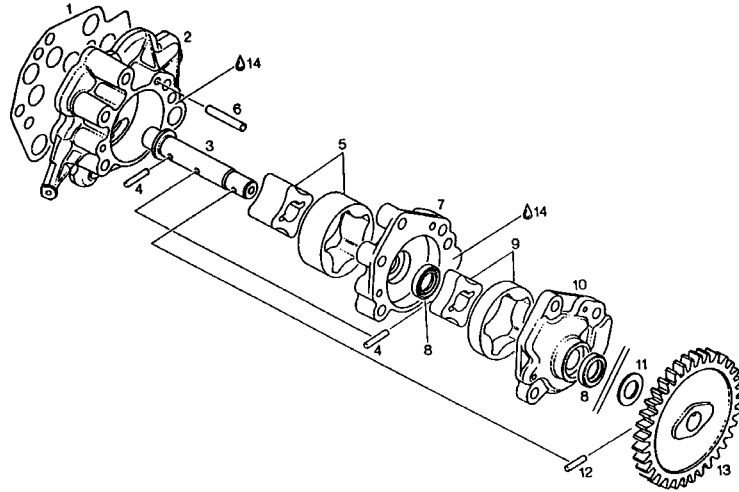
	Page
Crankcase .....	1
Oil pump .....	4
Crankshaft, balancer drive, piston cylinder configuration without electric starter .....	6
Crankshaft, balancer and starter drive, piston cylinder configuration with electric starter .....	9
5-speed transmission .....	12
Clutch, kick start .....	9
Clutch cover, electric starter .....	15
Cylinder head, camshaft .....	18
Valves, rocker arm, adjustment screw .....	21
Timing belt housing, timing belt cover .....	26
Camshaft drive .....	28
Ignition unit 12 V 190 W .....	30
Single parts of electric starter 294 375 .....	32
Pressure valve, oil filter element, ignition cover .....	34
Repair tools, gasket sets .....	36



CRANKCASE  
-----

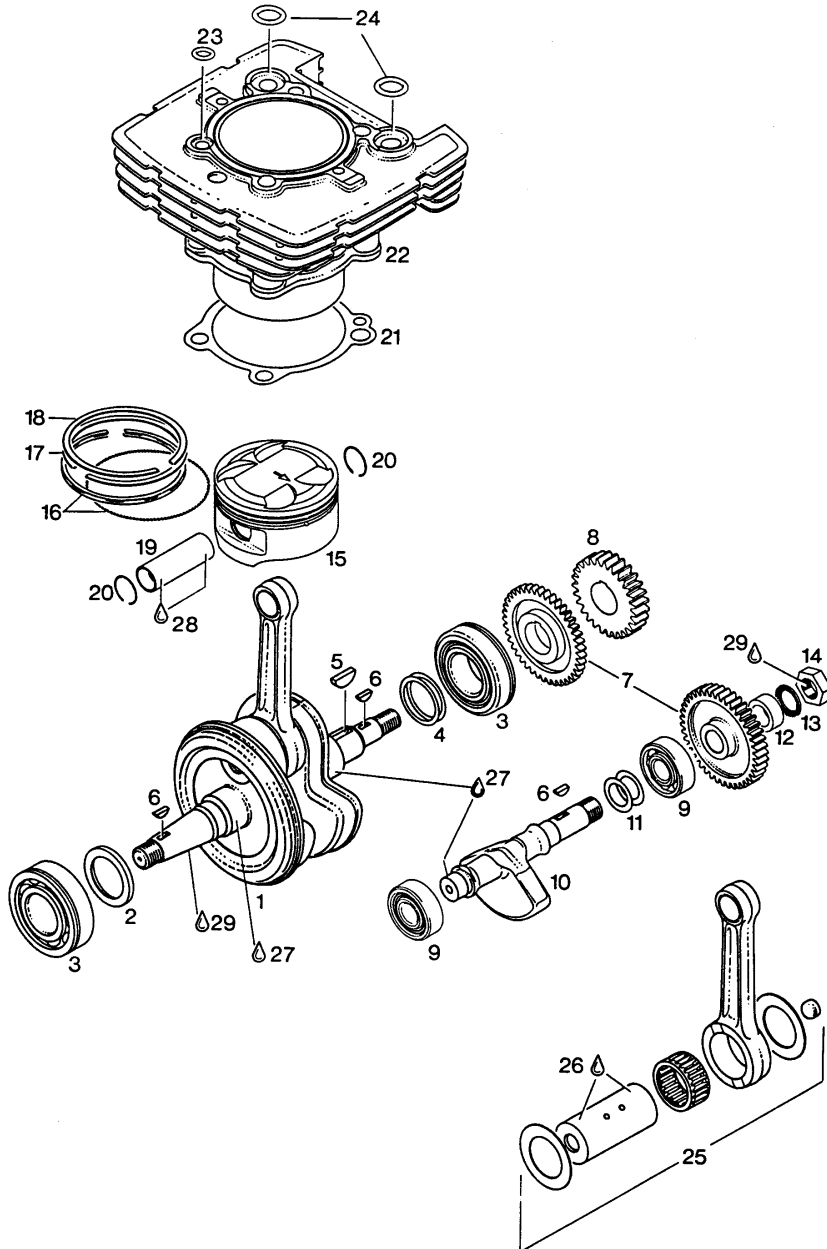
ILL. NO.	PART NO.	D E S C R I P T I O N	QTY.
-----			
1 - 4	294 089	CRANKCASE ASSY.,.....	1
2	229 140	DOWEL 9,8X10.....	1
3	229 160	DOWEL 13,8X15.....	1
4	241 691	SLOTTED HEAD SCREW M6X8..... FOR CONFIGURATION WITHOUT ELECTRIC-STARTER	2
5	241 905	PLUG SCREW M10X10.....	1
6	850 055	OIL SEAL 30X47X7/7,5..... FOR CRANKSHAFT, MAGNETO SIDE	1
7	230 395	OIL SEAL 25X40X7..... FOR MAIN SHAFT, MAGNETO SIDE	1
8	232 240	ROLLER BEARING 205 E C3/25-52-15..... FOR MAIN SHAFT, MAGNETO SIDE	1
9	932 815	BALL BEARING 6303E C3, 17-47-14..... FOR CLUTCH SHAFT, MAGNETO SIDE	1
10	250 370	GASKET.....	1
11		..... OIL PUMP ASSY. (ONLY SINGLE PARTS ARE AVAILABLE, SEE CHAPTER OIL PUMP)	1
12	945 751	LOCK WASHER A6.....	19
13	240 371	ALLEN SCREW M6X60.....	8
14	241 816	ALLEN SCREW M6X40.....	2
15	241 871	ALLEN SCREW M6X70.....	3
16	932 430	BALL BEARING 6204 TNH, 20-47-14..... FOR CLUTCH SHAFT, CLUTCH SIDE	1
17	932 033	BALL BEARING 6203 TNHC3 17-40-12..... FOR MAIN SHAFT, CLUTCH SIDE	1
18	227 610	SHIM 40/46,5/0,5.....	AS REQ
18	227 611	SHIM 40/46,5/0,3.....	AS REQ
18	227 612	SHIM 40/46,5/0,1.....	AS REQ
19	227 520	SHIM 34/39,5/0,5.....	AS REQ
19	227 521	SHIM 34/39,5/0,3.....	AS REQ

ILL. NO.	PART NO.	DESCRIPTION	QTY.
19	227 522	SHIM 34/39,5/0,1.....	AS REQ
20	227 115	RETAINING PLATE.....	1
21	940 315	COUNTERSUNK SCREW M5X12..... TORQUE 5 NM (45 IN. LB.)	4
22	241 777	HEX.SCREW M12..... TORQUE 75 NM (665 IN. LB.)	1
23	212 596	OIL PUMP COVER.....	1
24	256 160	OIL SIEVE.....	1
25	230 840	GASKET.....	1
26	831 762	O-RING 145-2,5.....	1
27	230 880	O-RING 13,3-2,4.....	1
28	840 861	ALLEN SCREW M6X25.....	6
29	250 010	GASKET RING C 12X18.....	1
30	241 401	HEX.SCREW M12X12.....	1
31	241 782	MAGNETIC DRAIN PLUG M12X1,5.....	1
32	229 160	DOWEL 13,8X15.....	2
33	240 445	STUD M10X196..... MAGNETO SIDE	2
34	240 435	STUD M10X184..... CLUTCH SIDE	2
35	242 690	COLLAR NUT M10..... TORQUE 35 NM (310 IN. LB.)	3
36	242 695	COLLAR CAP NUT M10..... TORQUE 35 NM (310 IN. LB.)	1
37	950 141	GASKET RING A 8X13.....	1
38	841 521	ALLEN SCREW M8X12.....	1
39	940 370	STUD M8X61/15.....	1
40	229 140	DOWEL 9,8X10.....	2
41	899 784	LOCTITE 574 ORANGE 50 CC., SEALING COMPOUND	NA
42	297 433	MOLYKOTE G-N 50 GR., SLIDE PASTE.....	NA



OIL PUMP  
-----

ILL. NO.	PART NO.	D E S C R I P T I O N	QTY.
1	250 370	GASKET.....	1
2	212 569	SUCTION PUMP HOUSING ASSY.,.....	1
3	237 647	PUMP SHAFT.....	1
4	232 980	NEEDLE PIN 3X15,8.....	2
5	256 137	SUCTION INNER AND OUTER ROTOR.....	1
6	232 970	NEEDLE PIN 4X25,8.....	2
7	212 572	PRESSURE PUMP HOUSING.....	1
8	230 870	OIL SEAL 11X17X4.....	2
9	256 117	PRESSURE INNER AND OUTER ROTOR.....	1
10	212 580	PUMP COVER.....	1
11	827 590	THRUST WASHER 10,1/17/1.....	AS REQ
12	932 840	NEEDLE PIN 3X19,8 G2.....	1
13	235 777	PUMP GEAR 27 T.,.....	1
14	899 784	LOCTITE 574 ORANGE 50 CC.,..... SEALING COMPOUND	NA



CRANKSHAFT, BALANCER DRIVE, PISTON, CYLINDER

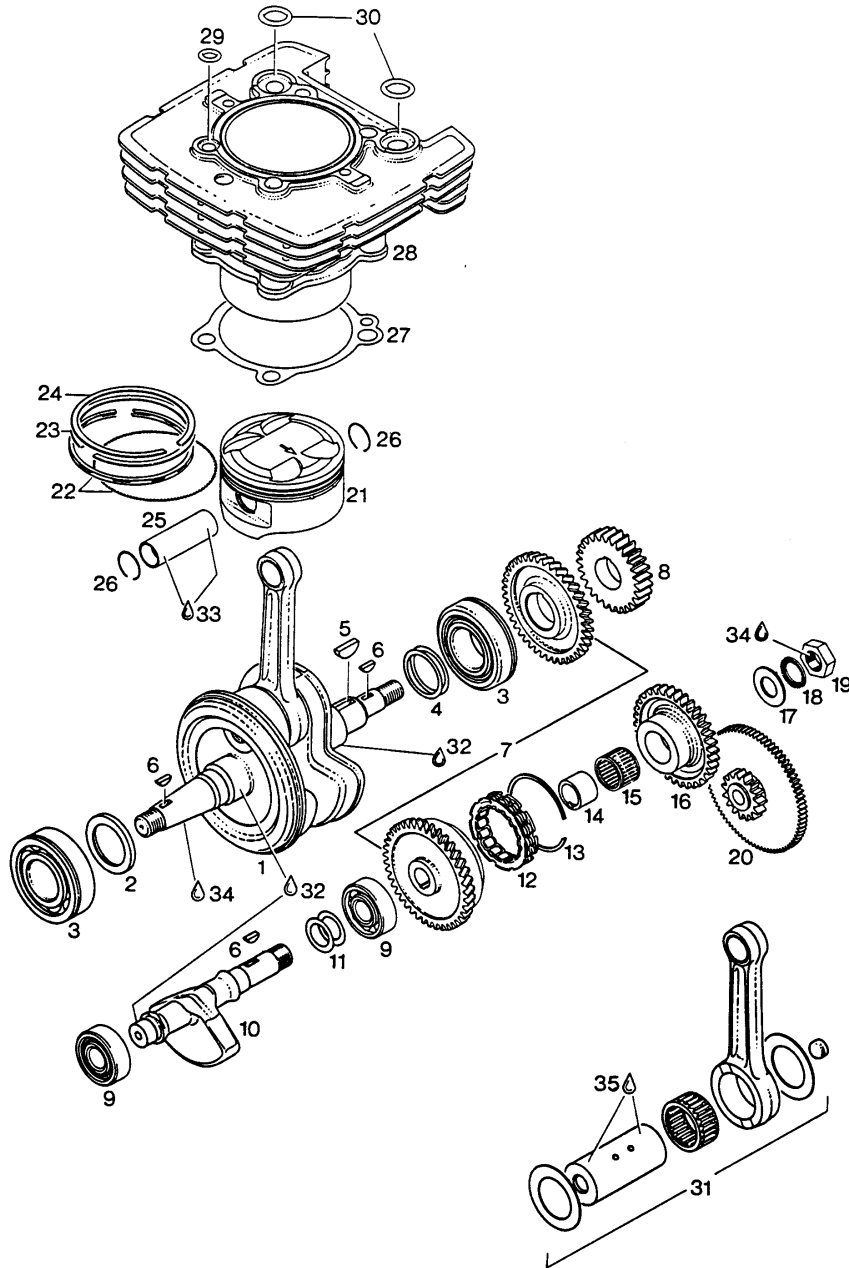
---

CONFIGURATION W I T H O U T E L E C T R I C S T A R T E R

ILL. NO.	PART NO.	D E S C R I P T I O N	QTY.
1	294 077	CRANKSHAFT ASSY.,..... STROKE 81,0 MM (3,19 IN.)	1
2	247 390	DISTANCE RING 35,2/50/4.....	1
3	832 235	BALL BEARING 6207E TNH, 35-72-17..... FOR CRANKSHAFT	2
4	927 400	SHIM 35,4/43/0,1.....	AS REQ
4	927 401	SHIM 35,4/43/0,2.....	AS REQ
5	946 015	WOODRUFF KEY 6X9.....	1
6	246 570	WOODRUFF KEY 4X5.....	3
7	293 572	BALANCE DRIVE ASSY.,..... REPLACE ONLY BOTH GEARS TOGETHER	1
8	293 490	PRIMARY DRIVE ASSY.,..... REPLACE ONLY DRIVE GEAR WITH CLUTCH DRUM ASSY.,	1
9	932 095	BALL BEARING 6304E TNH, 20-52-15..... FOR BALANCE SHAFT	2
10	237 880	BALANCE SHAFT.....	1
11	944 461	SHIM 20,5/30/0,3.....	1
11	944 462	SHIM 20,5/30/0,5.....	1
11	944 465	SHIM 20,5/30/0,15.....	1
12	247 810	SPACER 19,2/28/11,5.....	1
13	245 720	FRICTION WASHER VS18.....	1
14	242 790	HEX. NUT M18X1,5..... TIGHTENING TORQUE 75 NM (665 IN. LB.)	1
15 - 18	294 665	PISTON ASSY., 96,99/97,00 MM..... WITH RINGS	AS REQ
16	215 660	OIL SCRAPPER RING 97 MM.....	1
17	215 640	TAPERED COMPRESSION RING 97 MM.....	1
18	215 650	RECTANGULAR RING 97 MM.....	1
19	216 195	PISTON PIN 22X13/18X71,8.....	1



ILL. NO.	PART NO.	D E S C R I P T I O N	QTY.
20	245 430	CIRCLIP 22..... A T T E N T I O N: USE ONLY ONCE, FOR FITTING USE INSTALLATION TOOL 877 017	2
21	230 829	GASKET.....	1
22	223 705	CYLINDER..... "A" 97,000-97,012MM / "B" 97,013-97,024MM	1
23	250 290	O-RING 12-3.....	1
24	250 430	O-RING 20-3,5 MM.....	2
25	293 394	CRANKSHAFT REPAIR KIT..... WITH CON ROD 22 MM WIDE	1
26	897 341	LOCTITE 14486, 10 CC.,..... FOR CRANKSHAFT PRESS FIT	NA
27	297 431	LOCTITE ANTI-SEIZE 76710 10 GR.,..... TO PREVENT METAL GALLING	NA
28	297 433	MOLYKOTE G-N 50 GR., SLIDE PASTE.....	NA
29	899 785	LOCTITE 221 VIOLET 10 CC.,..... LOW STRENGTH BOND	NA



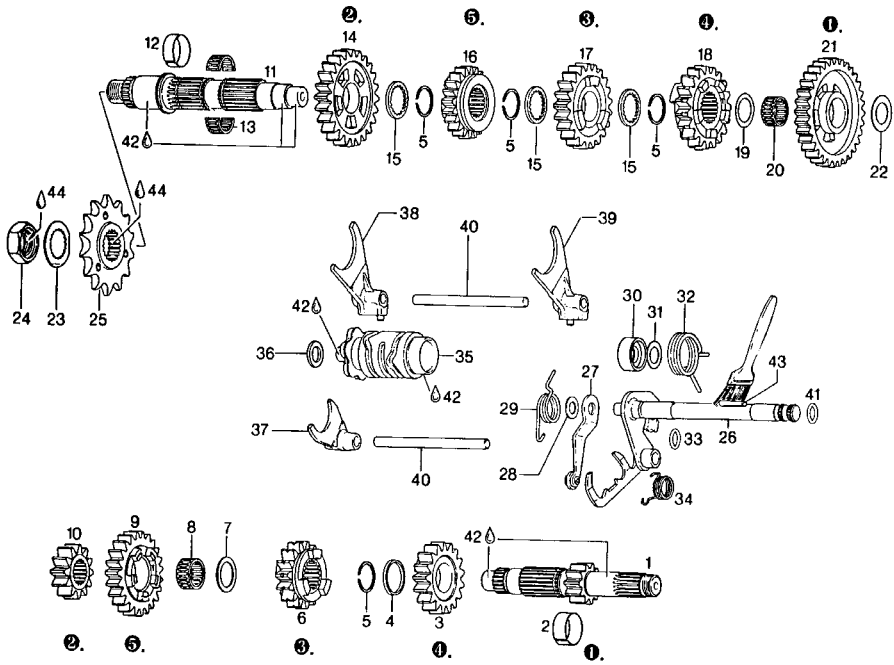
CRANKSHAFT, BALANCER- AND ELECTRIC STARTER DRIVE,  
CILINDER

-----  
CONFIGURATION W I T H ELECTRIC STARTER

ILL. NO.	PART NO.	D E S C R I P T I O N	QTY.
-----			
1	294 077	CRANKSHAFT ASSY.,..... STROKE 81,00 MM (3,19 IN.)	1
2	247 390	DISTANCE RING 35,2/50/4.....	1
3	832 235	BALL BEARING 6207E TNH, 35-72-17.....	2
4	927 400	SHIM 35,4/43/0,1.....	AS REQ
4	927 401	SHIM 35,4/43/0,2.....	AS REQ
5	946 015	WOODRUFF KEY 6X9.....	1
6	246 570	WOODRUFF KEY 4X5.....	3
7	293 458	PRIMARY DRIVE ASSY.,..... REPLACE ONLY BOTH GEARS TOGETHER	1
8	293 490	PRIMARY DRIVE ASSY.,..... REPLACE ONLY DRIVE GEAR WITH CLUTCH DRUM ASSY.,	1
9	932 095	BALL BEARING 6304E TNH, 20-52-15.....	2
10	237 880	BALANCE SHAFT.....	1
11	944 461	SHIM 20,5/30/0,3.....	AS REQ
11	944 462	SHIM 20,5/30/0,5.....	AS REQ
11	944 465	SHIM 20,5/30/0,15.....	AS REQ
12	259 075	SPRAG CLUTCH 45,665X62,332X13.....	1
13	245 620	SNAPRING 62.....	1
14	232 165	BUSHING.....	1
15	232 890	NEEDLE BEARING 25X29X17.....	1
16	234 353	FREE WHEEL GEAR 37 T.,.....	1
17	227 230	THRUST WASHER 18,2/34/2.....	1
18	245 720	FRICTION WASHER VS18.....	1
19	242 790	HEX. NUT M18X1,5..... TORQUE 90 NM (795 IN. LB.)	1
20	234 053	IDLE GEAR 81/15 Z.,.....	1

819/4

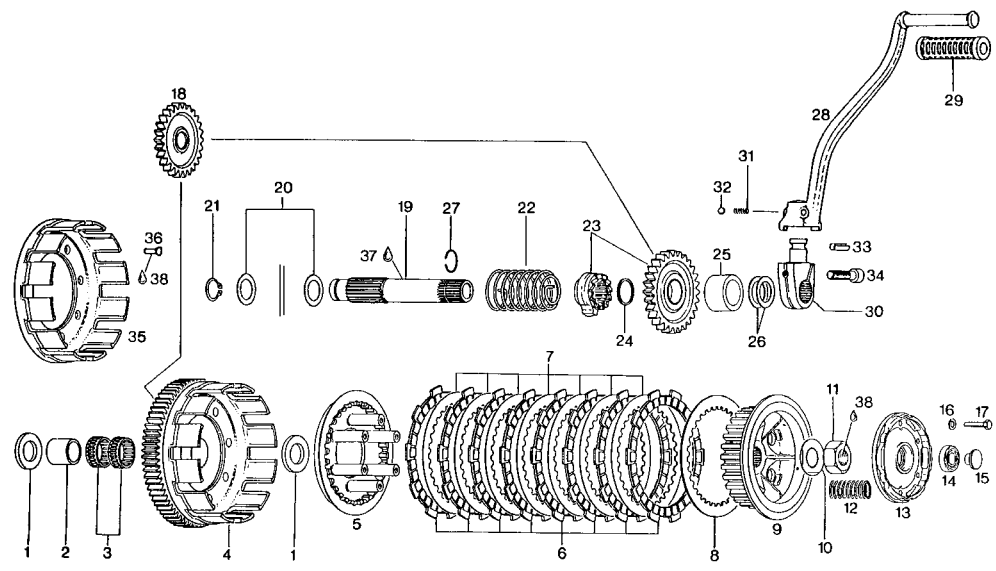
ILL. NO.	PART NO.	DESCRIPTION	QTY.
21 - 24	294 665	PISTON ASSY., 96,99/97,00 MM..... WITH RINGS	1
22	215 660	OIL SCRAPER RING 97 MM.....	1
23	215 640	TAPERED COMPRESSION RING 97 MM.....	1
24	215 650	RECTANGULAR RING 97 MM.....	1
25	216 195	PISTON PIN 22X13/18X71,8.....	1
26	245 430	CIRCLIP 22..... A T T E N T I O N: USE ONLY ONCE, FOR FITTING USE INSTALLATION TOOL 877 017	2
27	230 829	GASKET.....	1
28	223 705	CYLINDER..... "A" 97,00 - 93,012 MM / "B" 97,013 - 97,024 MM	1
29	250 290	O-RING 12-3.....	1
30	250 430	O-RING 20-3,5 MM.....	2
31	293 394	CRANKSHAFT REPAIR KIT..... WITH CON ROD 22 MM WIDE	1
32	297 431	LOCTITE ANTI-SEIZE 76710 10 GR.,..... TO PREVENT METAL GALLING	NA
33	297 433	MOLYKOTE G-N 50 GR., SLIDE PASTE.....	NA
34	899 785	LOCTITE 221 VIOLET 10 CC.,..... LOW STRENGTH BOND	NA
35	897 341	LOCTITE 14486, 10 CC.,..... FOR CRANKSHAFT PRESS FIT	NA



5-SPEED TRANSMISSION  
-----

	PART NO.	DESCRIPTION	QTY.
1 - 24	281 123	TRANSMISSION SET, 6 SPEED 2,70.....	1
1	237 715	CLUTCH SHAFT, 13 T.,.....	1
2	233 510	BUSHING 22,8X24X11,7.....	1
3	235 620	FREE PINION 17 T.,..... 4TH SPEED, CLUTCH SHAFT	1
4	227 080	THRUST WASHER 22/27,5/2,3.....	1
5	245 340	SNAPRING 24.....	4
6	235 603	GEAR PINION 15 T.,..... 3RD SPEED, CLUTCH SHAFT	1
7	227 445	THRUST WASHER 21,2/27,5/1.....	1
8	232 805	NEEDLE BEARING 21X25X13.....	1
9	235 667	FREE PINION 23 T.,..... 5TH SPEED, CLUTCH SHAFT	1
10	235 644	FIXED GEAR 12 T.,..... 2ND SPEED, CLUTCH SHAFT	1
11	237 720	MAIN SHAFT.....	1
12	233 500	BUSHING 23,8X25X9,8.....	1
13	232 800	NEEDLE BEARING 21X25X13.....	1
14	235 652	FREE PINION 24 T.,..... 2ND SPEED, MAIN SHAFT	1
15	227 465	THRUST WASHER 22/30/2,6.....	3
16	235 112	GEAR PINION 21 T.,..... 5TH SPEED, MAIN SHAFT	1
17	235 610	FREE PINION 21 T.,..... 3RD SPEED, MAIN SHAFT	1
18	235 632	GEAR PINION 19 T.,..... 4TH SPEED, MAIN SHAFT	1
19	944 468	THRUST WASHER 20,5/30/1.....	1
20	232 790	NEEDLE BEARING 20X24X12.....	1
21	235 527	FREE PINION 32 T.,..... 1ST SPEED, MAIN SHAFT	1

ILL. NO.	PART NO.	DESCRIPTION	QTY.
22	227 430	THRUST WASHER 17,2/30/1.....	1
23	245 390	TAB WASHER NA24.....	1
24	242 650	HEX.NUT M20X1,5..... TIGHTENING TORQUE 100 NM (885 IN. LB.)	1
25	236 041	SPROCKET 15 T., 5/8X1/4X10,16..... THIS PART IS MOUNTED AS STANDARD	1
25	236 040	SPROCKET 14 T., 5/8X1/4X10,16.....	1
25	236 042	SPROCKET 16 T., 5/8X1/4X10,16.....	1
26	237 636	SHIFT SHAFT WITH PAWL ASSY.,.....	1
27	248 925	INDEX LEVER ASSY.,.....	1
28	827 590	THRUST WASHER 10,1/17/1.....	1
29	239 820	INDEX SPRING.....	1
30	247 570	SPACER.....	1
31	946 870	WASHER 14,5/22,5/1.....	1
32	239 640	SPRING.....	1
33	250 460	O-RING 11-2,7.....	1
34	239 830	SPRING.....	1
35	258 795	SHIFT DRUM ASSY.,.....	1
36	827 265	WASHER 12,5/21,5/2.....	1
37	258 775	SHIFT FORK ASSY.,..... 4TH/5TH SPEED	1
38	258 765	SHIFT FORK ASSY.,..... 2ND SPEED	1
39	258 755	SHIFT FORK ASSY.,..... 1ST/3RD SPEED	1
40	258 780	GUIDE PIN.....	2
41	430 110	O-RING 10X2,7.....	1
42	297 431	LOCTITE ANTI-SEIZE 76710 10 GR.,..... TO PREVENT METAL GALLING	NA
43	897 330	LITHIUM-BASE GREASE, 250 GR.,.....	NA
44	899 785	LOCTITE 221 VIOLET 10 CC.,..... LOW STRENGTH BOND	NA

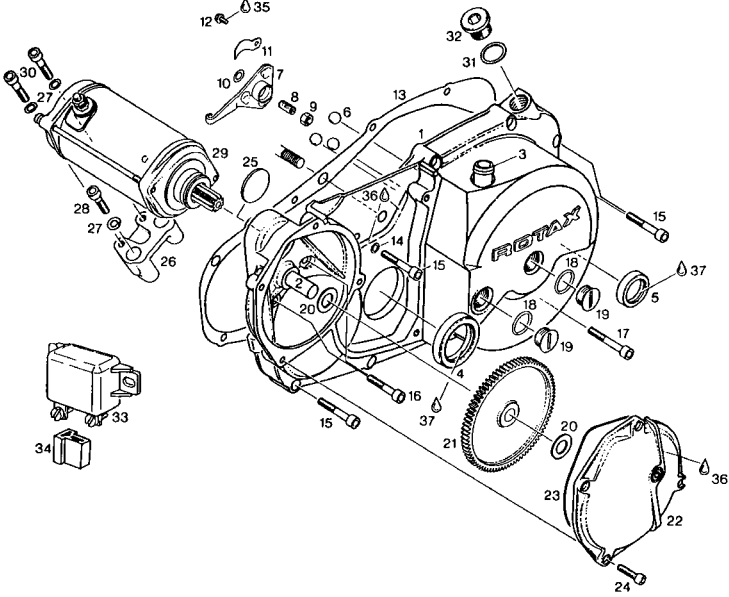




CLUTCH, KICK START  
-----

ILL. NO.	PART NO.	D E S C R I P T I O N	QTY.
-----			
1	227 600	THRUST WASHER 20,2/35/3.....	2
2	232 700	INNER RACE.....	1
3	232 652	NEEDLE BEARING 25X29X10.....	2
4	293 490	PRIMARY DRIVE ASSY.,..... REPLACE ONLY DRIVE GEAR WITH CLUTCH DRUM ASSY.,	1
5	259 885	INNER PLATE.....	1
6	259 905	FRICTION PLATE 2,6 MM.....	8
7	259 913	CLUTCH PLATE 1,25 MM.....	7
8	259 915	PLATE 1,5 MM.....	1
9	259 878	CLUTCH HUB.....	1
10	245 320	TAB WASHER NA20.....	1
11	242 605	HEX.NUT M18X1,5..... TORQUE 120 NM (1060 IN. LB.)	1
12	239 741	CLUTCH SPRING 38 MM..... CHANGE SPRINGS ONLY SETWISE	6
13	259 130	RETAINING PLATE.....	1
14	232 400	BALL BEARING 6001 C3, 12-28-8.....	1
15	259 140	THRUST HUB.....	1
16	945 750	LOCK WASHER A5.....	6
17	241 771	HEX. SCREW M5X25.....	6
18	235 767	IDLE GEAR ASSY. 26T.,.....	1
19	237 621	KICK START SHAFT.....	1
20	944 468	THRUST WASHER 20,5/30/1.....	2
21	945 660	RETAINING RING 20X1,2.....	1
22	239 762	KICK START SPRING.....	1
23	293 620	KICKSTART DRIVE ASSY.,..... REPLACE BOTH GEARS TOGETHER	1
24	227 880	THRUST WASHER 22,2/25,5/1.....	1

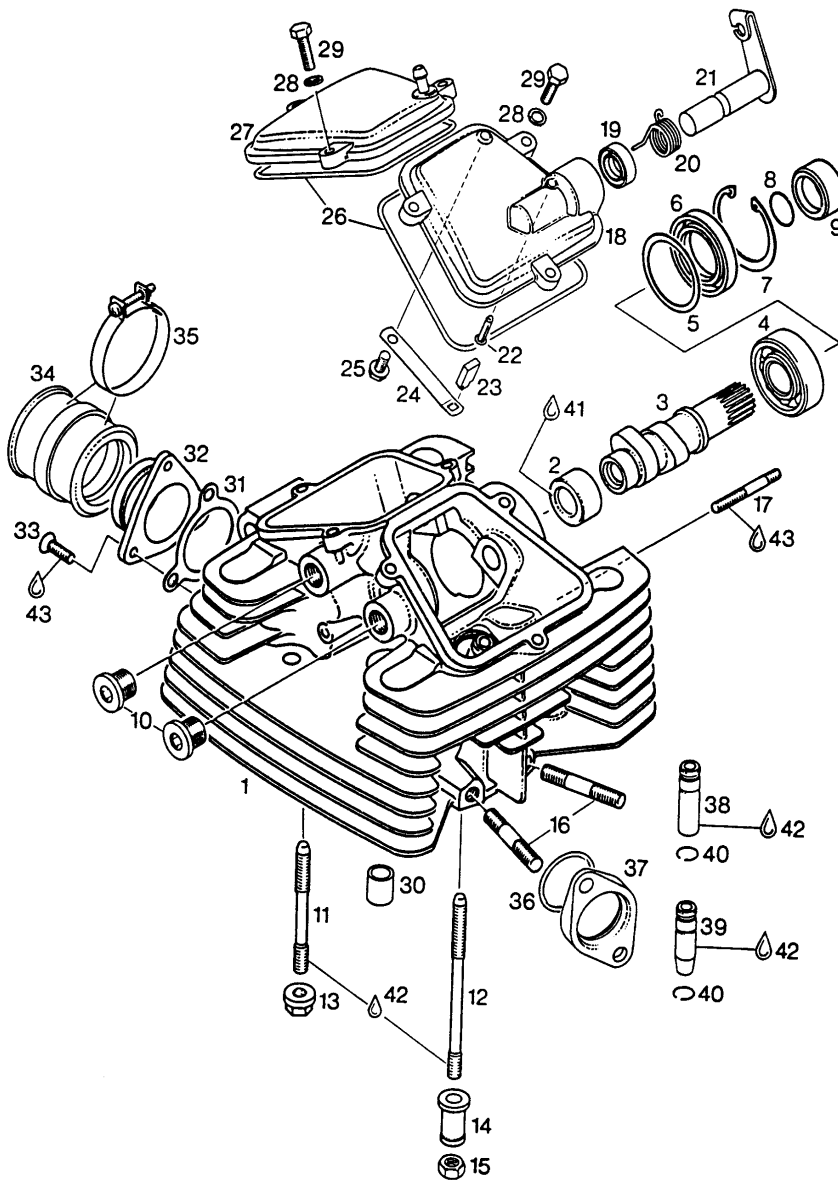
ILL. NO.	PART NO.	DESCRIPTION	QTY.
25	247 600	SPACER 22,2/30/19..... FOR ELECTRIC-STARTER CONFIGURATION ONLY	1
26	927 475	THRUST WASHER 22,5/30/0,5.....	1
26	927 475	THRUST WASHER 22,5/30/0,5.....	AS REQ
27	245 350	CIRCLIP 19,5X1.....	1
28 - 33	248 180	KICK START LEVER ASSY.,.....	1
28	248 175	KICK START LEVER.....	1
29	260 210	RUBBER SLEEVE.....	1
30	248 959	KICK START HUB.....	1
31	239 537	COMPRESSION SPRING 8 MM.....	1
32	232 440	BALL 5,556 MM.....	1
33	229 210	DOWEL TUBE 6X20.....	1
34	840 991	ALLEN SCREW M8X30.....	1
35	259 852	CLUTCH DRUM.....	1
36	243 340	RIVET 5X12.....	8
37	297 431	LOCTITE ANTI-SEIZE 76710 10 GR.,..... TO PREVENT METAL GALLING	NA
38	899 788	LOCTITE 648 GREEN, 5 GR.,..... HIGH STRENGTH BOND	NA



CLUTCH COVER, ELECTRIC STARTER  
-----

ILL. NO.	PART NO.	D E S C R I P T I O N	QTY.
1 - 3	211 237	CLUTCH COVER ASSY.,..... ALUMINIUM PAINTED	1
2	229 230	JOURNAL BOLT..... ONLY FOR VERSION WITH E-STARTER	1
3	224 230	CLUTCH CABLE TUBE.....	1
4	930 715	OIL SEAL 35X47X7.....	1
5	831 260	OIL SEAL 22X32X7.....	1
6	232 150	BALL 12 MM.....	3
7	259 185	RELEASE CAM, 30 DEGREE.....	1
8	240 317	ADJUSTMENT SCREW M8X25..... CLUTCH PLAY 3/4 OF A TURN OPEN	1
9	942 671	HEX. NUT M8.....	1
10	227 945	THRUST WASHER 8,1/15/0,5.....	1
11	239 905	LEAF SPRING.....	1
12	841 685	TAPTITE-SCREW M5X10..... TIGHTENING TORQUE 5 NM (45 IN. LB.)	1
13	250 381	GASKET.....	1
14	230 415	GASKET RING A 6X10.....	1
15	241 811	ALLEN SCREW M6X35.....	9
16	840 880	ALLEN SCREW M6X30.....	2
17	241 816	ALLEN SCREW M6X40.....	1
18	230 405	O-RING 18X1,5.....	2
19	241 801	PLUG SCREW M18X1,5.....	2
20	827 261	THRUST WASHER 12,5/21,5/1..... ONLY FOR VERSION WITH E-STARTER	2
21	234 053	IDLE GEAR 81/15 Z.,..... ONLY FOR VERSION WITH E-STARTER	1
22	212 961	STARTER DRIVE COVER..... ALUMINIUM PAINTED	1
23	230 310	O-RING 114-2.....	1

ILL. NO.	PART NO.	D E S C R I P T I O N	QTY.
24	840 511	ALLEN SCREW M5X16.....	4
25	227 220	FILLER CAP 30..... ONLY FOR VERSION WITHOUT E-STARTER	1
26	251 915	DISTANCE BLOCK..... ONLY FOR VERSION WITH E-STARTER	1
27	945 751	LOCK WASHER A6..... ONLY FOR VERSION WITH E-STARTER	4
28	840 861	ALLEN SCREW M6X25..... ONLY FOR VERSION WITH E-STARTER	2
29	294 357	ELECTRIC STARTER ASSY.,.....	1
30	840 880	ALLEN SCREW M6X30..... ONLY FOR VERSION WITH E-STARTER	2
31	230 905	GASKET RING A 16X20X1.....	1
32	240 230	PLUG SCREW M16X1,5.....	1
33	992 817	STARTER RELAY ASSY.,..... ONLY FOR VERSION WITH E-STARTER	1
34	866 770	CONNECTING HOUSING..... ONLY FOR VERSION WITH E-STARTER	1
35	899 785	LOCTITE 221 VIOLET 10 CC.,.....	NA
36	297 386	SILASTIC 732 RTV, 100 GR.,.....	NA
37		..... BP-ENERGREASE LS3	NA

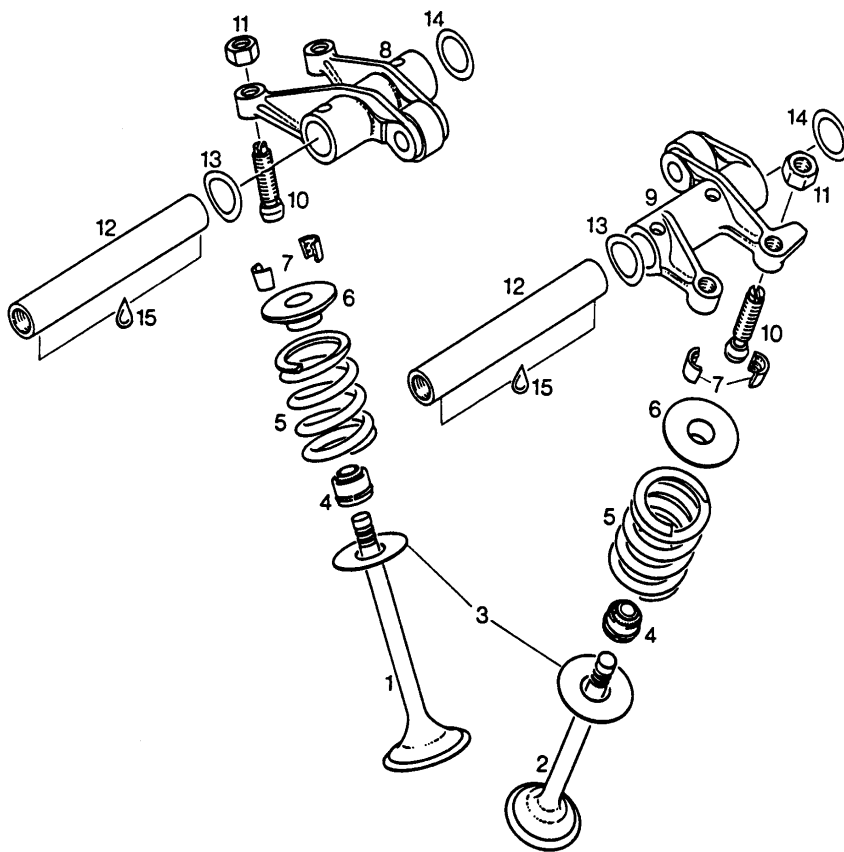


CYLINDER HEAD, CAM SHAFT,

ILL. NO.	PART NO.	D E S C R I P T I O N	QTY.
1	223 870	CYLINDER HEAD ASSY.....	1
2	232 920	NEEDLE BUSHING 22X28X12.....	1
3	237 865	CAM SHAFT 269 DREGREES.....	1
4	932 432	BALL BEARING 6204 C3, 20-47-14.....	1
5	927 222	SHIM 38/46,8/1,0.....	1
6	850 055	OIL SEAL 30X47X7/7,5.....	1
7	945 690	RETAINING RING 47X1,75.....	1
8	230 405	O-RING 18X1,5.....	1
9	247 420	SPACER 20/30/13.....	1
10	240 230	PLUG SCREW M16X1,5.....	2
11	240 417	STUD M8X94.....	1
12	240 423	STUD M8X119.....	1
13	242 700	COLLAR HEX. NUT M8..... TORQUE 20 NM (175 IN.LB.)	1
14	247 720	DISTANCE SLEEVE.....	1
15	242 206	HEX. NUT M8..... TIGHTENING TORQUE 20 NM (175 IN.LB.)	1
16	240 360	STUD M8X58.....	4
17	940 000	STUD M6X40/11.....	1
18	212 556	VALVE COVER..... ALUMINIUM PAINTED	1
19	230 690	OIL SEAL 14X24X7.....	1
20	239 800	SPRING.....	1
21	237 655	DECOMPRESSOR SHAFT ASSY.....	1
22	229 170	GROOVE PIN 4X20.....	1
23	231 010	DECOMPRESSOR PLATE.....	1
24	239 790	FLAT SPRING.....	1
25	240 385	TAPTITE-SCREW M6X12.....	1

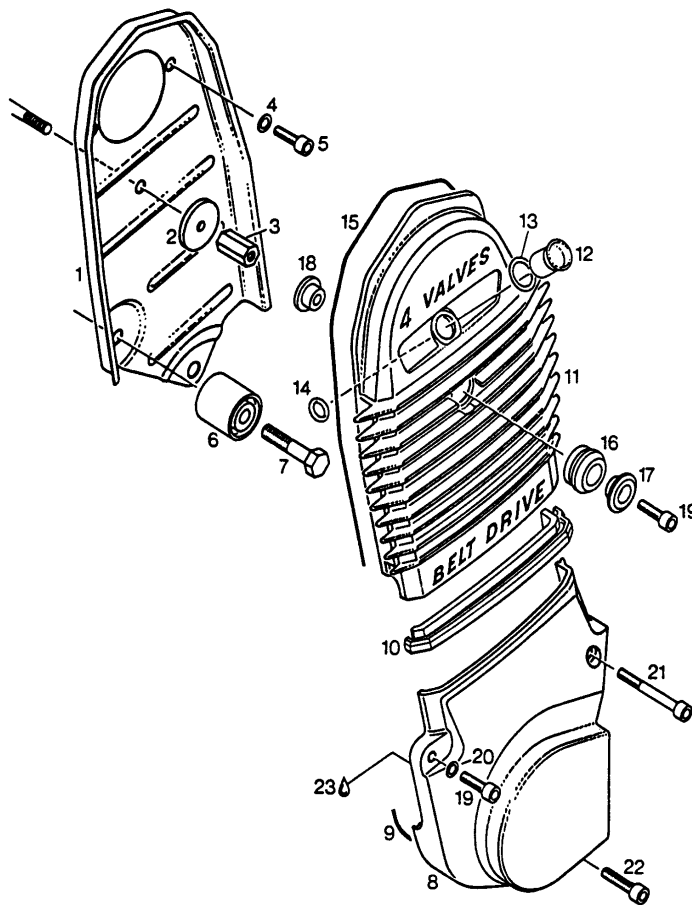
ILL. NO.	PART NO.	DESCRIPTION	QTY.
26	230 860	O-RING 107-2,5.....	2
27	212 547	VALVE COVER CPL..... ALUMINIUM PAINTED	1
28	945 751	LOCK WASHER A6.....	6
29	940 561	HEX.SCREW M6X20.....	6
30	229 160	DOWEL 13,8X15.....	2
31	230 016	GASKET.....	1
32	267 900	INTAKE FLANGE.....	1
33	941 041	COUNTERSUNK SCREW M6X16.....	3
34	867 481	RUBBER SOCKET.....	1
35	251 855	HOSE CLAMP 54.....	2
36		..... GASKET RING	2
37		..... EXHAUST FLANGE	2
38	253 116	EXHAUST VALVE GUIDE..... FOR REPAIR	2
39	253 117	INLET VALVE GUIDE..... FOR REPAIR	2
40	245 440	CIRCLIP 12.....	4
41	297 386	SILASTIC 732 RTV, 100 GR.,.....	NA
42	297 433	MOLYKOTE G-N 50 GR., SLIDE PASTE.....	NA
43	899 785	LOCTITE 221 VIOLET 10 CC.,..... LOW STRENGTH BOND	NA





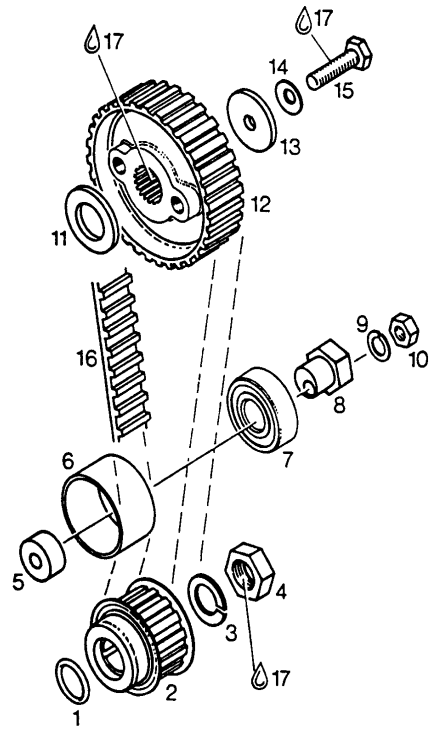
VALVES, ROCKER ARM, ADJUSTMENT SCREW

ILL. NO.	PART NO.	D E S C R I P T I O N	QTY.
1	253 075	INTAKE VALVE 36 MM.....	2
2	253 080	EXHAUST VALVE 30 MM.....	2
3	227 980	THRUST WASHER 12,2/29,5/1.....	4
4	230 810	VALVE STEM SEAL.....	4
5	239 780	VALVE SPRING 36,6 MM.....	4
6	253 101	VALVE SPRING RETAINER.....	4
7	253 090	VALVE COTTER.....	8
8	253 315	INTAKE ROCKER ARM ASSY.,.....	1
9	253 345	EXHAUST ROCKER ARM ASSY.,.....	1
10	240 205	ADJUSTMENT SCREW M7 ASSY.,.....	4
11	242 591	HEX.NUT M7.....	4
12	253 050	ROCKER ARM SHAFT.....	2
13	227 950	SPRING WASHER 14,3/20/0,5.....	2
14	227 955	THRUST WASHER 14,3/20/0,5.....	2
15	297 433	MOLYKOTE G-N 50 GR., SLIDE PASTE.....	NA

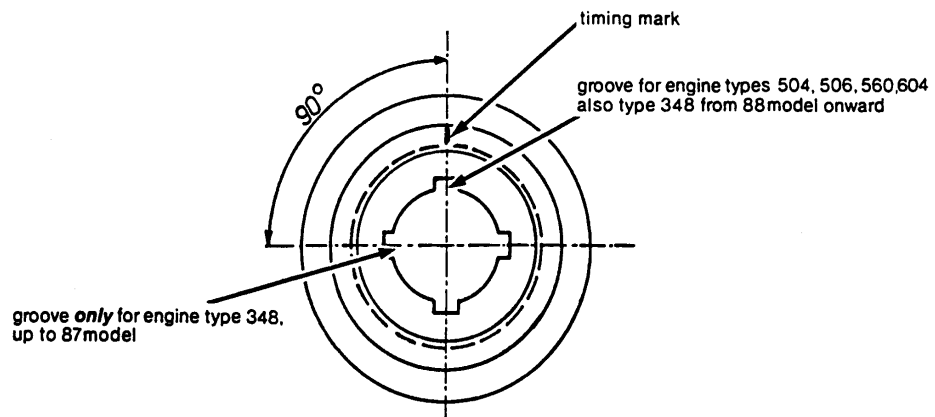


TIMING BELT HOUSING, TIMING BELT COVER  
-----

ILL. NO.	PART NO.	DESCRIPTION	QTY.
-----			
1	212 528	TIMING BELT HOUSING..... ALUMINIUM PAINTED	1
2	227 920	WASHER 6,4/30/3.....	1
3	242 680	DISTANCE NUT M6X22.....	1
4	945 751	LOCK WASHER A6.....	2
5	241 930	ALLEN SCREW M6X20.....	2
6	232 130	GUIDE PULLEY 28X27X30.....	1
7	240 281	HEX. SCREW M8X50..... TIGHTENING TORQUE 22 NM (195 IN.LB.)	1
8	210 542	TIMING BELT COVER, LOWER PART..... ALUMINIUM PAINTED	1
9	230 854	O-RING 2,5X292.....	1
10	260 900	COVER PROFILE RUBBER.....	1
11	210 549	TIMING BELT COVER, UPPER PART..... ALUMINIUM PAINTED	1
12	260 550	LENS.....	1
13	250 091	GASKET RING 14/19/0,5.....	1
14	430 020	O-RING 9,3X2,4.....	1
15	250 481	O-RING 3,5X524.....	1
16	260 910	RUBBER DAMPER.....	1
17	247 740	COVER SLEEVE.....	1
18	247 750	COVER DISTANCE BUSHING.....	1
19	840 401	ALLEN SCREW M6X22.....	2
20	230 415	GASKET RING A 6X10.....	1
21	241 821	ALLEN SCREW M6X45.....	1
22	840 861	ALLEN SCREW M6X25.....	1
23	297 386	SILASTIC 732 RTV, 100 GR.,.....	NA

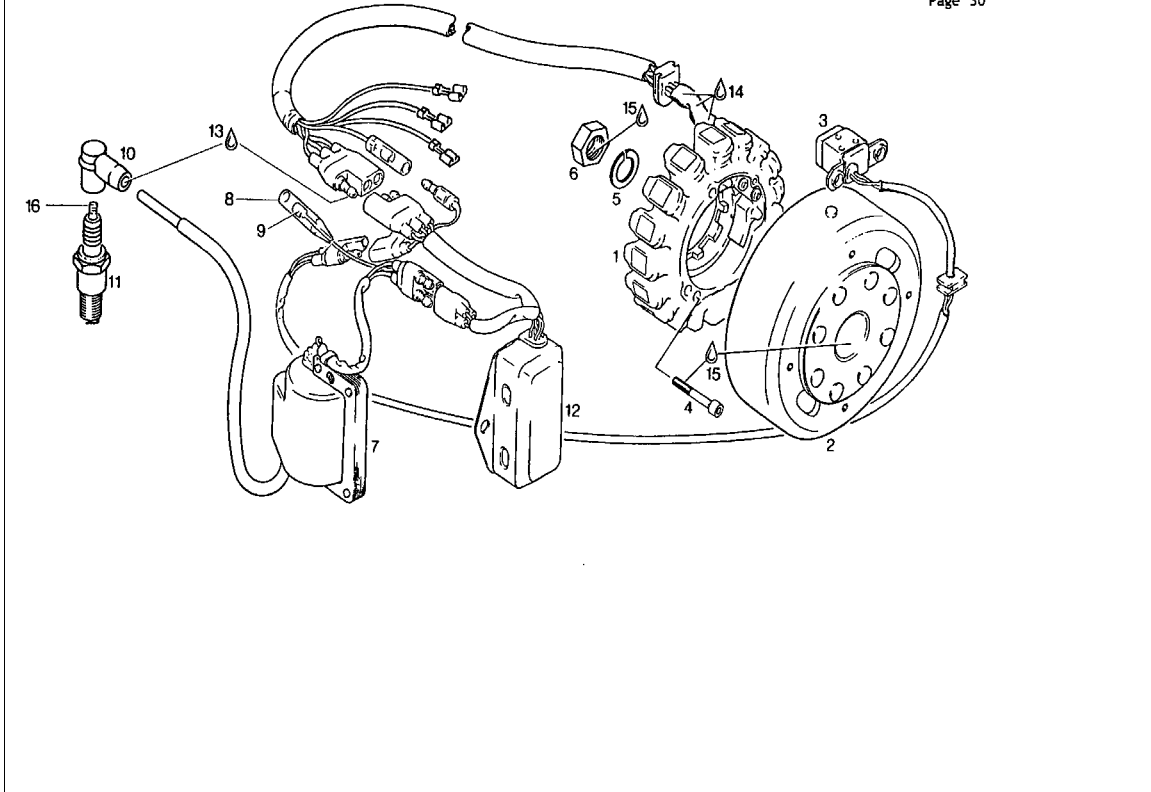


Front view



CAM SHAFT DRIVE  
-----

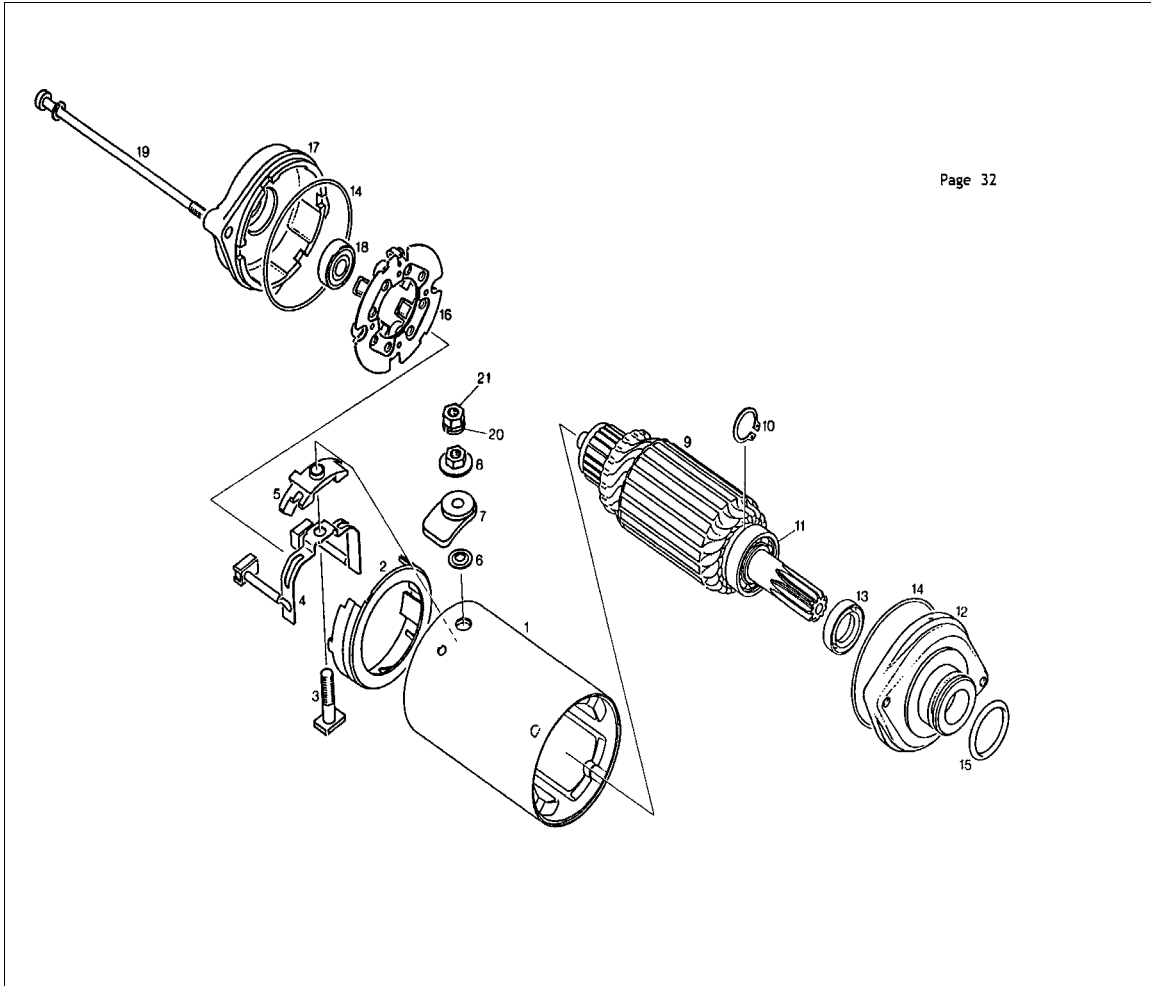
ILL. NO.	PART NO.	D E S C R I P T I O N	QTY.
1	230 890	O RING 17-2,5.....	1
2	253 017	TIMING PULLEY ASSY. 15T.,.....	1
3	945 756	LOCK WASHER 16.....	1
4	242 710	HEX.NUT M16X1,5..... TIGHTENING TORQUE 150 NM (1325 IN.LB.)	1
5	247 430	SPACER 8,4/24/11.....	1
6	280 030	GUIDE PULLEY.....	1
7	932 037	BALL BEARING 6203-2RS1, 17-40-12.....	1
8	280 020	TENSIONER ECCENTER.....	1
9	945 752	LOCK WASHER A8.....	1
10	242 206	HEX. NUT M8.....	1
11	227 600	THRUST WASHER 20,2/35/3.....	1
12	253 025	TIMING PULLEY 30 T.,.....	1
13	227 930	WASHER 8,4/32/3.....	1
14	245 460	SPRING WASHER 8.....	1
15	940 485	HEX.SCREW M8X30..... TORQUE 35 NM (310 IN. LB.)	1
16	280 015	TIMING BELT 9,525X19X36.....	1
17	899 785	LOCTITE 221 VIOLET 10 CC.,..... LOW STRENGTH BOND	NA



IGNITION UNIT 12 V 190 W  
-----

ILL. NO.	PART NO.	D E S C R I P T I O N	QTY.
-----			
1 - 3	293 123	IGNITION UNIT 12V 190W ASSY.,.....	1
1 - 2	293 128	STATOR W. MAGN. FLYWHEEL ASSY.,..... STATOR AND MAGNETO FLYWHEEL MUST BE EXCHANGED ONLY TOGETHER	1
3	264 750	TRIGGER COIL..... FOR START IGNITION	1
4	241 816	ALLEN SCREW M6X40.....	3
5	945 757	LOCK WASHER 18.....	1
6	942 220	HEX. NUT M18X1,5..... TORQUE 100 NM (885 IN. LB.)	1
7 - 10	264 735	IGNITION COIL ASSY.,.....	1
8	964 070	INSULATION SHEATH.....	1
9	964 067	FASTON CONNECTOR 3,96.....	1
10	865 200	SPARK PLUG CONNECTOR.....	1
11	297 540	SPARK PLUG 12 MM..... TIGHTENING TORQUE 20 NM (175 IN.LB.) COLD ENGINE	1
12	264 740	AMPLIFIER-BOX.....	1
13	897 330	LITHIUM-BASE GREASE, 250 GR.,..... TO PREVENT CREEPING CURRENT	NA
14	297 386	SILASTIC 732 RTV, 100 GR.,.....	NA
15	899 785	LOCTITE 221 VIOLET 10 CC.,..... LOW STRENGTH BOND	NA
16	842 260	NUT M4	1

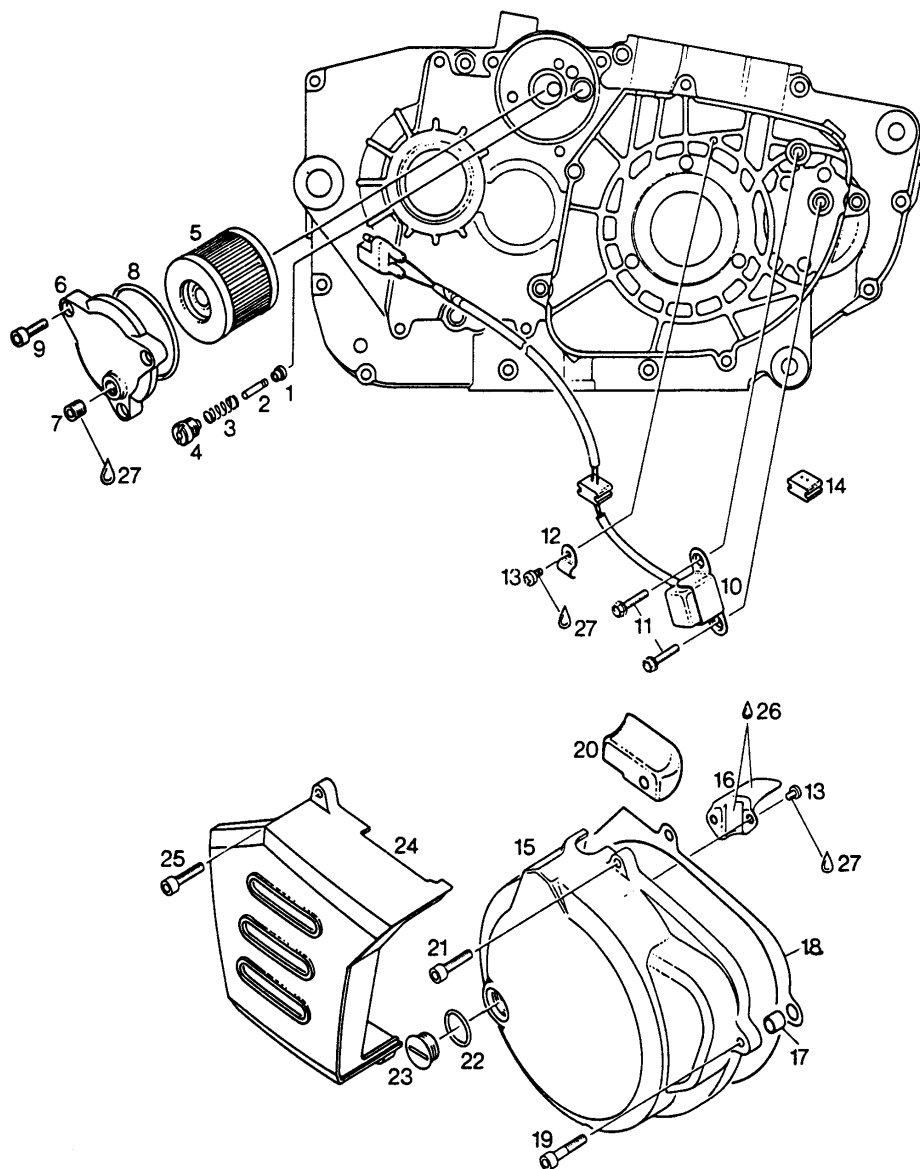




SINGLE PARTS FOR ELECTRIC STARTER 294 357

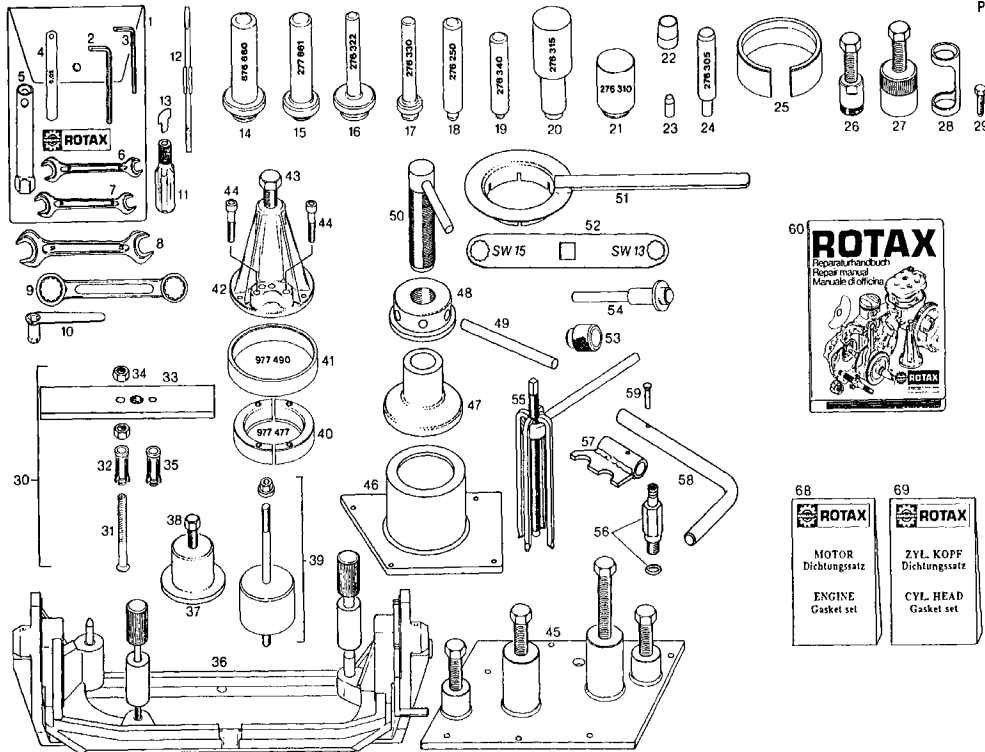
---

ILL. NO.	PART NO.	D E S C R I P T I O N	QTY.
1 - 19	294 357	ELECTRIC STARTER ASSY.,.....	1
1	264 152	STATOR YOKE ASSY.,.....	1
2	260 990	ISOLATING HOUSING.....	1
3	264 580	TERMINAL SCREW.....	1
4	264 182	CARBON BRUSH ASSY.,.....	1
5	260 815	CONNECTOR SHEATH.....	1
6	250 540	GASKET RING.....	1
7	260 805	CONNECTOR SHEATH.....	1
8	242 785	COMBINED NUT M6.....	1
9	264 145	ROTOR ASSY.,.....	1
10	945 840	LOCKING RING 15X1.....	1
11	232 260	BALL BEARING 6002 Z / 15-32-9.....	1
12	264 155	ROTOR SUPPORT.....	1
13	250 130	OIL SEAL 15X24X5.....	1
14	850 500	O-RING 62-1,5.....	2
15	250 140	O-RING 24,4X3,1.....	1
16	264 035	BRUSH HOLDER ASSY.,.....	1
17	264 176	ROTOR SUPPORT.....	1
18	932 775	BALL BEARING 608 RS, 8-22-7.....	1
19	241 135	COMBINED SCREW M5X127.....	2
20	945 751	LOCK WASHER A6.....	1
21	242 211	HEX.NUT M6.....	1



PRESSURE VALVE, OIL FILTER ELEMENT, IGNITION COVER  
-----

ILL. NO.	PART NO.	D E S C R I P T I O N	QTY.
-----			
1	260 570	PRESSURE RETAINING VALVE.....	1
2	256 150	VALVE PIN.....	1
3	239 815	COMPRESSION SPRING 13,0 MM.....	1
4	256 170	VALVE PIN SCREW.....	1
5	256 180	OIL FILTER ELEMENT.....	1
6	212 621	OIL FILTER COVER..... ALUMINIUM PAINTED	1
7	240 480	PLUG SCREW 1/8-27NPT.....	1
8	230 920	O-RING 60-2,5.....	1
9	241 930	ALLEN SCREW M6X20.....	3
10	264 750	TRIGGER COIL.....	1
11	240 580	TAPTITE SCREW M6X16.....	2
12	251 890	CABLE CLAMP.....	1
13	240 195	TAPTITE-SCREW M4X8.....	3
14	260 760	RUBBER PLUG.....	1
15	210 095	IGNITION COVER..... ALUMINIUM PAINTED	1
16	251 880	CABLE HOLDER, INNER.....	1
17	229 140	DOWEL 9,8X10.....	2
18	250 391	GASKET.....	1
19	840 880	ALLEN SCREW M6X30.....	2
20	251 885	CABLE HOLDER, OUTER.....	1
21	840 861	ALLEN SCREW M6X25.....	2
22	230 405	O-RING 18X1,5.....	1
23	241 801	PLUG SCREW M18X1,5.....	1
24	212 610	CHAIN COVER.....	1
25	840 861	ALLEN SCREW M6X25.....	3
26	297 386	SILASTIC 732 RTV, 100 GR.....	NA
27	899 785	LOCTITE 221 VIOLET 10 CC..... LOW STRENGTH BOND	NA



REPAIR TOOLS, GASKET SETS  
-----

ILL. NO.	PART NO.	D E S C R I P T I O N	QTY.
-----			
1 - 13	277 993	TOOL KIT.....	1
1	876 197	TOOL BAG 230X160.....	1
2	277 810	ALLEN KEY 6 MM.....	1
3	876 360	ALLEN KEY 5 MM.....	1
4	276 295	VALVE FEELER GAUGE 0,05 MM.....	1
5	276 280	SPARK PLUG WRENCH 18 MM.....	1
6	276 065	FORK WRENCH 10X13 MM.....	1
7	876 230	FORK WRENCH 11X13 MM.....	1
8	276 090	FORK WRENCH 17X19 MM.....	1
9	277 825	RING WRENCH 22X24 MM.....	1
10	276 040	WRENCH 11 MM..... FOR CLUTCH PLAY ADJUSTMENT	1
11 - 12	277 847	SCREW DRIVER ASSY.,.....	1
12		..... SCREW DRIVER INSERT / USE SCREW DRIVER ASSY., PART-NO. 277847	1
13	277 340	SCREW DRIVER INSERT..... FOR PLUG SCREW	1
14	876 660	INSERTION JIG ASSY.,..... FOR OIL SEAL 850 055, CRANKSHAFT MAGNETO SIDE	1
15	277 861	INSERTION JIG ASSY.,..... FOR OIL SEAL 230 395, MAIN SHAFT	1
16	276 322	INSERTION JIG ASSY.,..... FOR OIL SEAL 930 715, CRANKSHAFT CLUTCH SIDE	1
17	276 330	INSERTION JIG ASSY.,..... FOR OIL SEAL 831 260, KICK START SHAFT	1
18	276 250	INSERTION JIG..... FOR OIL SEAL 230 690, DECOMPRESSION SHAFT	1
19	276 340	INSERTION JIG..... FOR OIL SEAL 230 370, OIL PUMP SHAFT	1

ILL. NO.	PART NO.	D E S C R I P T I O N	QTY.
20	276 315	INSERTION JIG..... FOR NEEDLE DUSHING 232 920, CAM SHAFT	1
21	276 310	INSERTION JIG..... FOR OIL SEAL 850 055, CAM SHAFT	1
22	277 970	GUIDE SLEEVE..... FOR MAIN SHAFT	1
23	276 450	GUIDE SLEEVE..... FOR OIL PUMP SHAFT	1
24	276 305	GUIDE BOLT..... FOR PISTON PIN	1
25	276 356	PISTON RING SPANNER 97,0 MM..... TO MOUNT PISTON IN CYLINDER	1
26	276 445	PULLER ASSY..... FOR TIMING PULLEY 15 T.	1
27	277 807	PULLER ASSY. M35X1,5..... FOR FLYWHEEL	1
28	276 470	VALVE SPRING MOUNTING DEVICE.....	1
29	241 965	CRANKSHAFT FIXATION SCREW M8X30..... FOR CRANKSHAFT	1
30 - 34	276 360	PULLER ASSY..... FOR BEARINGS, CLUTCH SHAFT AND BALANCER SHAFT	1
31	276 380	BOLT M10.....	1
32	276 370	EXTRACTOR SLEEVE..... FOR BALL-BEARING 6303, CLUTCH SHAFT	1
33	276 390	SUPPORT PLATE.....	1
34	242 091	HEX.NUT M10.....	2
35	276 375	EXTRACTOR SLEEVE..... FOR BEARING 6304,BALANCER SHAFT	1
36	277 917	TRESTLE ASSY.....	1
37 - 38	277 087	PULLER ASSY..... FOR BALANCE GEAR	1
38	841 700	HEX.SCREW M10X60.....	1
39	276 405	CAMSHAFT PULLER ASSY.....	1
40	977 477	RING HALF..... FOR BALL BEARING 6207 E	2

ILL. NO.	PART NO.	D E S C R I P T I O N	QTY.
41	977 490	RING..... FOR RING HALF	1
42 - 43	876 298	PULLER ASSY.,..... FOR BEARING	1
43	940 755	HEX. SCREW M16X1,5X150.....	1
44	840 681	ALLEN SCREW M8X40..... FOR PULLER	4
45	276 436	PULLER PLATE ASSY.,..... FOR CRANKCASE HALF	1
46	276 535	PULLER PLATE ASSY.,..... FOR CRANKSHAFT DISASSEMBLY	1
47	276 560	PULLER BELL..... FOR CRANKSHAFT	1
48	276 550	PULLER RING.....	1
49	276 155	BOLT 12X250.....	1
50	276 127	PULL-IN SPINDLE M18X1,5 ASSY.,..... FOR CRANKSHAFT	1
51	276 825	CLUTCH HUB LOCKING TOOL ASSY.,.....	1
52	277 070	RING WRENCH 13/15..... FOR TORQUE WRENCH	1
53 - 54	877 017	CIRCLIP INSTALLATION TOOL ASSY.,..... FOR FITTING OF PISTON PIN CIRCLIPS 22 MM (.87 IN.)	1
53	877 022	CIRCLIP INSTALLATION SLEEVE 22 MM.....	1
54	877 012	CIRCLIP INSTALLATION PUSHER 22 MM.....	1
55	277 180	BALL BEARING PULLER SET..... FOR BALL BEARINGS: 6006, 6203, 6300, 6203 E, 6007, 6204, 6301, 6302, 6204 E, 6205, 6303 AND 6304	1
56	276 855	PRESSURE NIPPLE ASSY.,..... FOR COMPRESSED AIR CONNECTING	1
57	276 880	VALVE SPRING SPANNER ASSY.,.....	1
58	276 990	SPRING SPANNER LEVER.....	1
59	243 360	RIVET 5X25.....	1
60	299 035	REPAIR MANUAL ASSY.,.....	1
	293 223	GASKET SET.....	1
	293 226	GASKET SET, CYLINDER HEAD..... FOR CYLINDER HEAD REPAIR	1