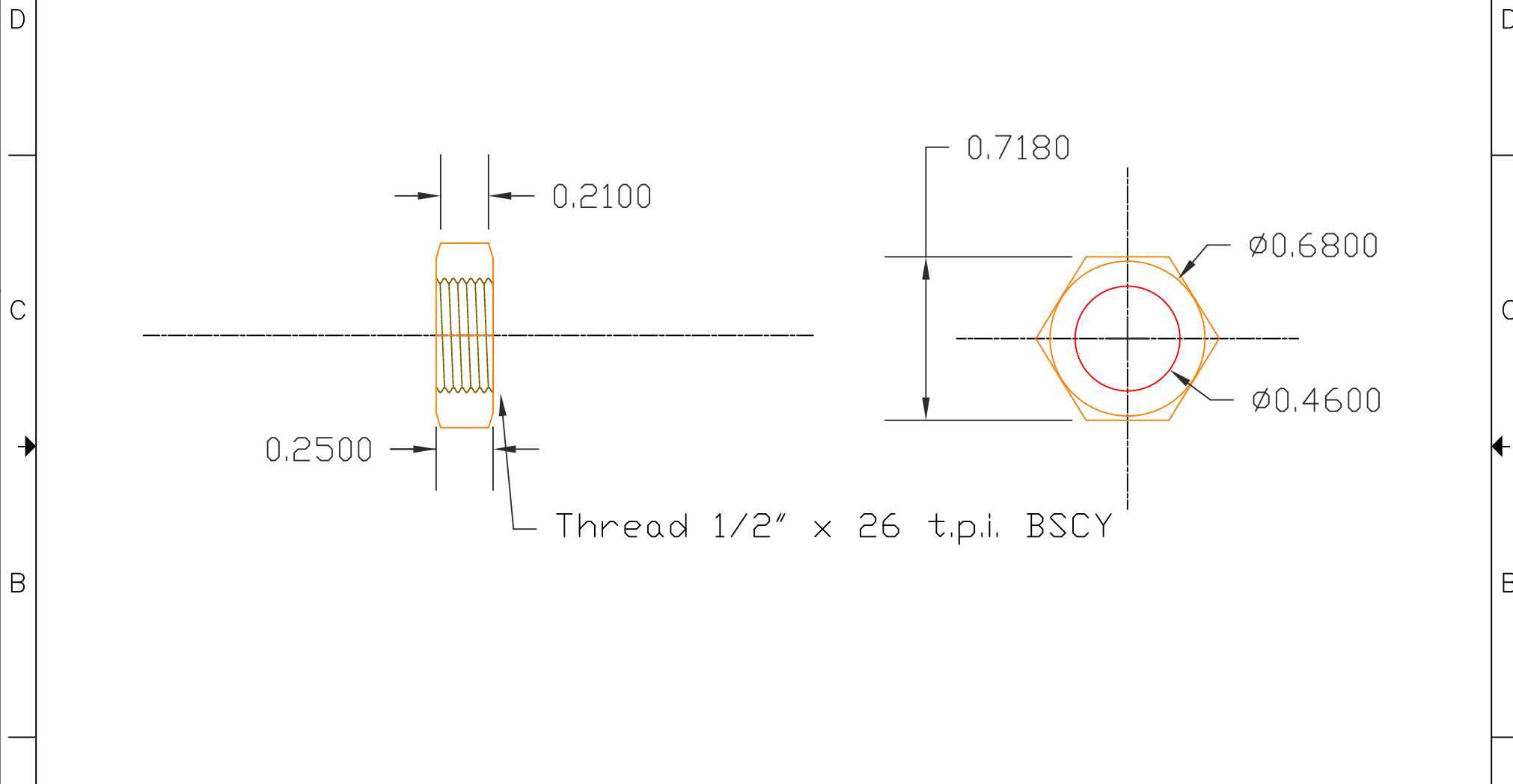


PN_000071 NUT Thin Half Inch.dwg

J Ready

4 3 2 1

REVISIONS				
ZONE	REV	DESCRIPTION	DATE	APPROVED



NUT, Thin, 1/2" General Purpose.

1/2" Bright Steel. Parkerised finish untill 1940 then Cadmium (Zinc) finish.

FILE NAME 22/06/2022		All dimintions in Inches	
CONTRACT NO ####		PN_000071	
DRAWN		NUT, Thin, 1/2"	
CHECK			
APPR.			
ISSUED			
	SIZE	FSCM NO	DWG NO
	-	-	AJS =M=
All dimintions in Inches		SCALE 1	WEIGHT SHEET 001

4 3 2 1

A A