

TRACT 294/23/S. 6150 (CON. 23B)

Matchless
IN NAME & REPUTATION

SPARES LIST

IS CONTROL
1 (MT) SUB DEPOT, 15 ABOD
BRITISH FORCES POST OFFICE 40

For MATCHLESS
MODEL 41-G3L
MOTOR CYCLES

350 c.c. O.H.V.

MATCHLESS
MOTOR CYCLES

(Proprietors: ASSOCIATED MOTOR CYCLES LIMITED)



PRICE ONE SHILLING

6150/33/1
Edition 650

The prices in this list do not include postage. This document was created for free distribution in the AJS/Matchless Egroups - do not resell
It should be noted that, in the column following the description, the quantity of each part that is used on one machine is stated. In a few instances it is not possible to exactly express the quantity, which may vary according to requirements, so in place of a stated quantity the letter "Q" has been inserted against such items.

READ CAREFULLY NOTES BELOW

Modifications have necessitated the issue of some new part numbers, although, in most cases, interchangeability has not been affected. The modifications are described below.

PAGE 4. TIMING GEAR GROUP. (INLET CAMSHAFT.)

The camshaft contour has been modified. The new part number is 42-G3L-E132 and it interchanges with D8-E2932.

PAGE 8. COMPLETE CARBURETTOR GROUP. (CARBURETTOR PACKING PIECE.)

The packing piece (W41-G3L-E167) now has a bore of one inch. (It was formerly $\frac{3}{4}$ inch.) The new size of packing piece can be used in place of a packing piece $\frac{3}{4}$ bore but, if a replacement is required for a packing piece of one inch bore the new part must also have a bore of one inch.

PAGE 10. MAGNETO SPROCKET GROUP. (SPROCKETS.)

The magneto sprockets have been built up from separate components and are now machined in one piece. The part numbers differ but the two types are interchangeable.

The part number of the sprocket on the engine camshaft was 35-22-E138 (built up sprocket). It is now STD-727 (solid sprocket). Irrespective of which type of sprocket was originally fitted always demand replacements by quoting part number STD-727.

The part number of the sprocket on the magneto armature shaft was 35-22-E38 (built up sprocket). It is now STD-726 (solid sprocket). Always demand replacements by quoting part number STD-726.

PAGE 10. DYNAMO SPROCKET GROUP. (DYNAMO SPROCKET.)

The dynamo sprockets have also been built up from separate components and are now machined in one piece.

The part number of the sprocket on the dynamo shaft was 20862 (built up sprocket). It is now STD-725 (solid sprocket). Always demand replacements by quoting part number STD-725.

PAGE 16. FORK GROUP. (FORK CROWN AND HANDLEBAR LUG.)

Recent modifications to the Handlebar Lug and Fork Crown affect interchangeability and it is therefore imperative that new and old parts are not mixed in assembly. The new Handlebar Lug is identified by having the figures "42" incorporated in the Part Number, cast embossed on the underside. The new Fork Crown is identified similarly, or alternatively, by having the figures "42" stamped on the underside.

PAGE 18. FRONT MUDGUARD.

Front Mudguard, Part number 42-G3L-M2 is interchangeable with the earlier pattern guard (Part number W41-G3L-M2) provided the new pattern front stays, Part number 42-G3L-M30, are also fitted.

A Front Mudguard, "in situ," can be identified by the fact that the early pattern lies concentric to the front wheel, while the later pattern lies eccentric to the front wheel so that the clearance between the front tip of the guard and the tyre is greater than the clearance between the rear tip of the guard and the tyre.

Machines delivered early against this Contract have been fitted with the early pattern of Front Mudguard and Stays while late deliveries have the later (or eccentric) pattern.

PAGE 33. LIGHTING EQUIPMENT.

Machines to this Contract have been fitted with two patterns of head lamps, switches, cable harness and batteries.

Early deliveries have :-

- A head lamp in the top of which are mounted the main lighting switch and an ammeter.
- A built up cable harness identified by coloured sleeving.
- Lucas Lead-acid batteries.

Parts only used on such machines are identified by the word "EARLY."

Late deliveries have :-

- A head lamp in the top of which is only mounted a push button change over switch controlling the main and pilot head lamp bulbs.
- A main lighting switch located below the saddle on the right hand side of the machine.
- A simplified cable harness identified by sleeves bearing numbers which agree with the numbers printed on the appropriate wiring diagram.
- Varley Lead-acid "Dry Accumulators" (Unspillable batteries).

Parts only used on such machines are identified by the word "LATE."

PAGE 32. DYNAMO FIXING PARTS GROUP. (TIGHTENING BOLT.)

The design of the clamping strap tightening bolt has been modified. The new part number is 41-G3L-E280 and it interchanges with 35-G3-E280.

PAGE 36. TOOL GROUP. (HUB LOCK NUT SPANNER.)

The design of the hub lock nut spanner has been modified. It is now single ended whereas, formerly, it was double ended. The new part number is 11914-S and it interchanges with 11717.

The illustrations of some parts mentioned above still bear the old part numbers.

SPARES LIST

for

1941-G3L MATCHLESS MOTOR CYCLES

FRAME NUMBERS BETWEEN

73000 to 82999 (inclusive)

ENGINE NUMBERS BETWEEN

90000 to 99999 (inclusive)

CONTRACT:

294/23/S.6150 (Con. 23 B)

RELATIVE INSTRUCTIONAL LITERATURE:

Driver's Handbook — Book No. 100/M.C.3-B.
Maintenance Manual — Book No. 101/M.C.2-B.



Compiled and Issued by the Manufacturers:

MATCHLESS MOTOR CYCLES

(Proprietors: ASSOCIATED MOTOR CYCLES LIMITED)

PRICE ONE SHILLING

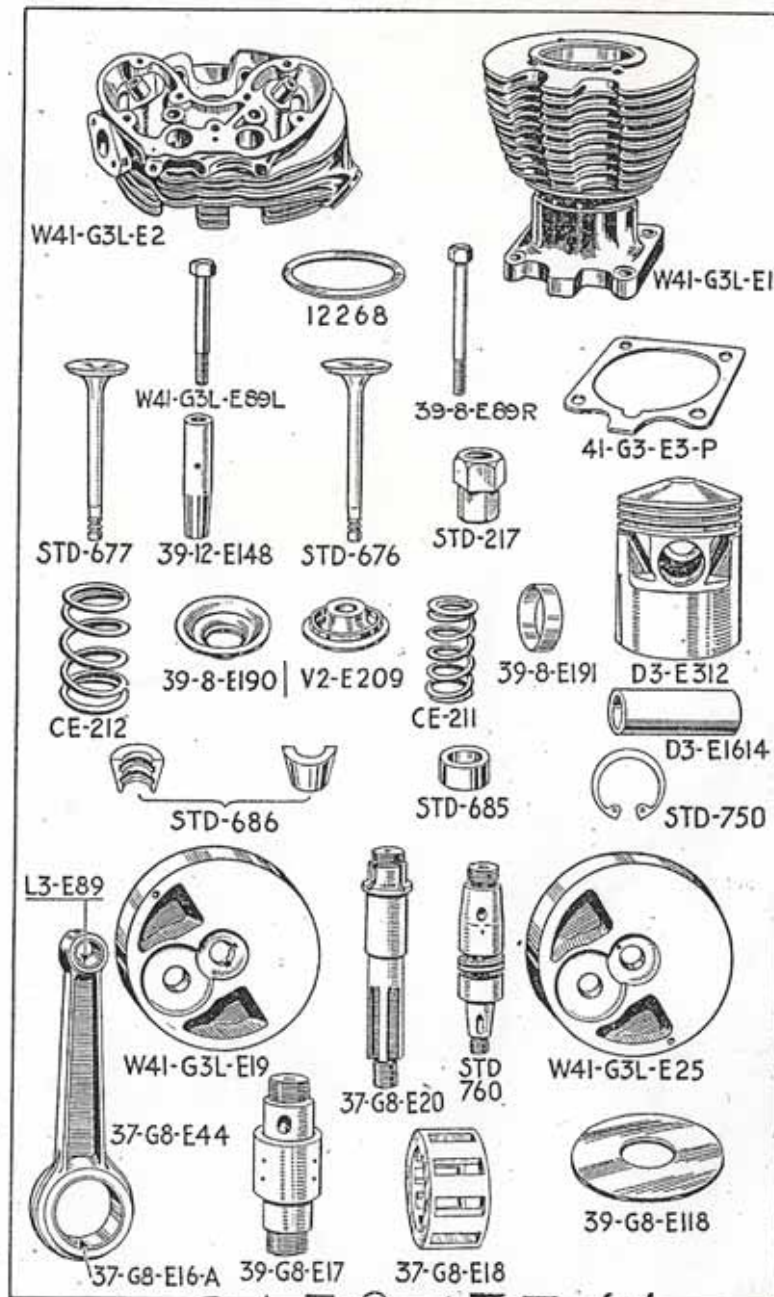
EDITION 6150

UNITS WHEN DEMANDING SPARES WILL QUOTE PROPRIETARY OR M.T. PART Nos. WHERE APPLICABLE

ENGINE SECTION.

Part Number.	Description.	Qty.	M.T. or Proprietary Part No.	Price Each.
41-G3L-E701	Engine unit, less gearbox and clutch, with carburetter, magneto, dynamo, engine plates, front chaincase with chains and special bolts and distance pieces	1		£ s. d. Price on application
CYLINDER.				
W41-G3L-E1	Barrel, cylinder	1		2 0 0
37-8-E3	Washer, paper, for cylinder base and compression plate	2		...
STD-217	Nut, retaining cylinder to crankcase (timing side)	2		...
STD-3	Nut, retaining cylinder to crankcase (driving side)	2		...
41-G3-E3-P	Plate, compression, for cylinder barrel base	1		...
CYLINDER HEAD.				
W41-G3L-E2	Head, cylinder, less valve guides	1	Not serviced	3 0 0
W41-G3L-E2-ASS	Head, cylinder, with valve guides	1		3 5 0
12255	Gasket, for cylinder head	1		...
W41-G3L-E89-L	Bolt, securing head to barrel, left, short	2		10
39-8-E89-R	Bolt, securing head to barrel, right, long	2		10
STD-10	Washer, plain, for head fixing bolt	4	MT5/9672	...
STD-291	Stud, fixing carburetter	1		1 1 2
STD-4	Nut, for carburetter stud	1		...
ENGINE VALVES.				
STD-576	Valve, inlet	1		6 6
STD-577	Valve, exhaust	1		2 6 0
39-12-E148	Guide, for valve. (Inlet or Exhaust)	2		...
CE-211	Spring, inner, for valve	2		...
CE-212	Spring, outer, for valve	2		1 0 0
V2-E209	Collar, for valve spring	2		1 3 3
39-8-E190	Cap, for valve spring	2		1 4 4
39-8-E191	Sleeve, spacing, for valve spring cup	2		2 5 0
STD-686	Collar, for valve. (Each in two pieces)	2		...
STD-685	Cap (for thimble), for valve stem	2		...
The spacing sleeve 39-8-E191 is only fitted on the exhaust valve assembly.				
PISTON.				
D3-E312	Piston, bare	1	Not Serviced	11 0 0
D3-E311	Ring, compression, for piston, 2 23/32 in. by 3/8 in.	1		1 6 6
39-G3-E111	Ring, scraper, for piston, 2 23/32 in. by 3/8 in.	1		3 3 0
D3-E1614	Pin, gudgeon, for piston	1		4
STD-750	Circlip, for gudgeon pin	1		1 1 3
D3-E312-A	Piston, complete with gudgeon pin and rings	1		...
THE FOLLOWING OVERSIZE PARTS CAN BE SUPPLIED.				
O/D3-E312	Piston, bare, .020 in. oversize	1	Not Serviced	11 0 0
O/D3-E311	Ring, compression, .020 in. oversize	1		1 6 6
O/39-G3-E111	Ring, scraper, .020 in. oversize	1		2 3 3
O/D3-E312-A	Piston, complete with gudgeon pin and rings, .020 in. oversize	1		1 1 5
O/D3-E312-40	Piston, bare, .040 in. oversize	1	Not Serviced	11 0 0
O/D3-E311-40	Ring, compression, .040 in. oversize	1		1 6 6
O/39-G3-E111-40	Ring, scraper, .040 in. oversize	1		2 3 3
O/D3-E312-A-40	Piston, complete with gudgeon pin and rings, .040 in. oversize	1		1 1 5
FLYWHEELS.				
W41-G3L-E25	Flywheel, bare, timing side	1		12 6
W41-G3L-E19	Flywheel, bare, driving side	1		14 0
STD-750	Axle, for timing side flywheel	1		8 0 0
37-G8-E20	Axle, for driving side flywheel	1		13 6
STD-573	Key, for driving side axle	2	MT1/19637	3
STD-230	Nut, for timing side axle	1		5
STD-234	Nut, for driving side axle	1		5
STD-15	Screw, lock, for timing side axle nut	1	MT5/25654	1
CONNECTING ROD.				
37-G8-E44	Rod, connecting, with liner and bush	1		1 3 6
37-G8-E16-A	Liner, only, for big-end bearing	1		4 6
L3-E89	Bush, only, for gudgeon pin	1		2 9
STD-75	Roller, for crankpin, 1/2 in. by 1/2 in.	30	MT7/6623	2 2
37-G8-E18	Roller, for crankpin rollers	2		7 6
37-G8-E17	Crankpin, 1/2 in. diameter shaft	1		10 6
39-G8-E118	Washer, for crankpin	1		0 0
STD-233	Nut, for crankpin	2		7

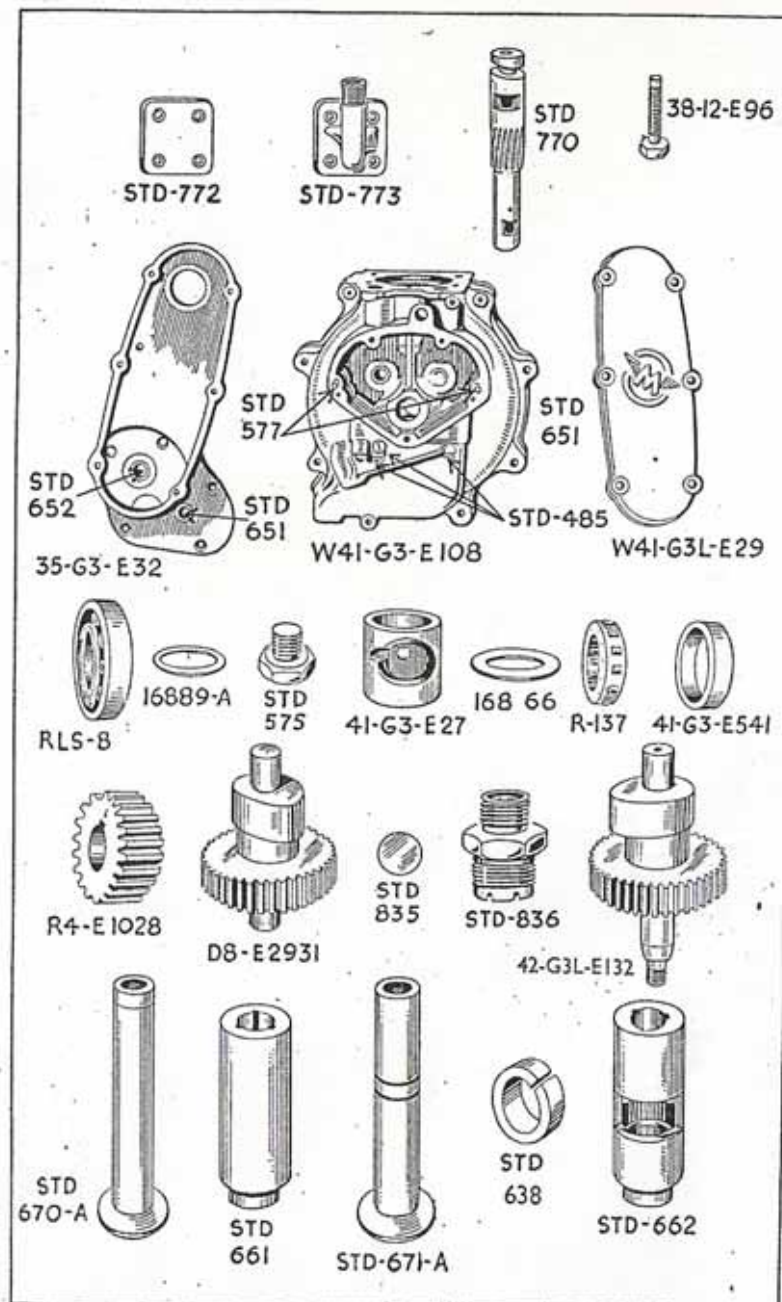
ALL PRICES EXCEPT THOSE MARKED * ARE SUBJECT TO 10% INCREASE.



6150/33/1

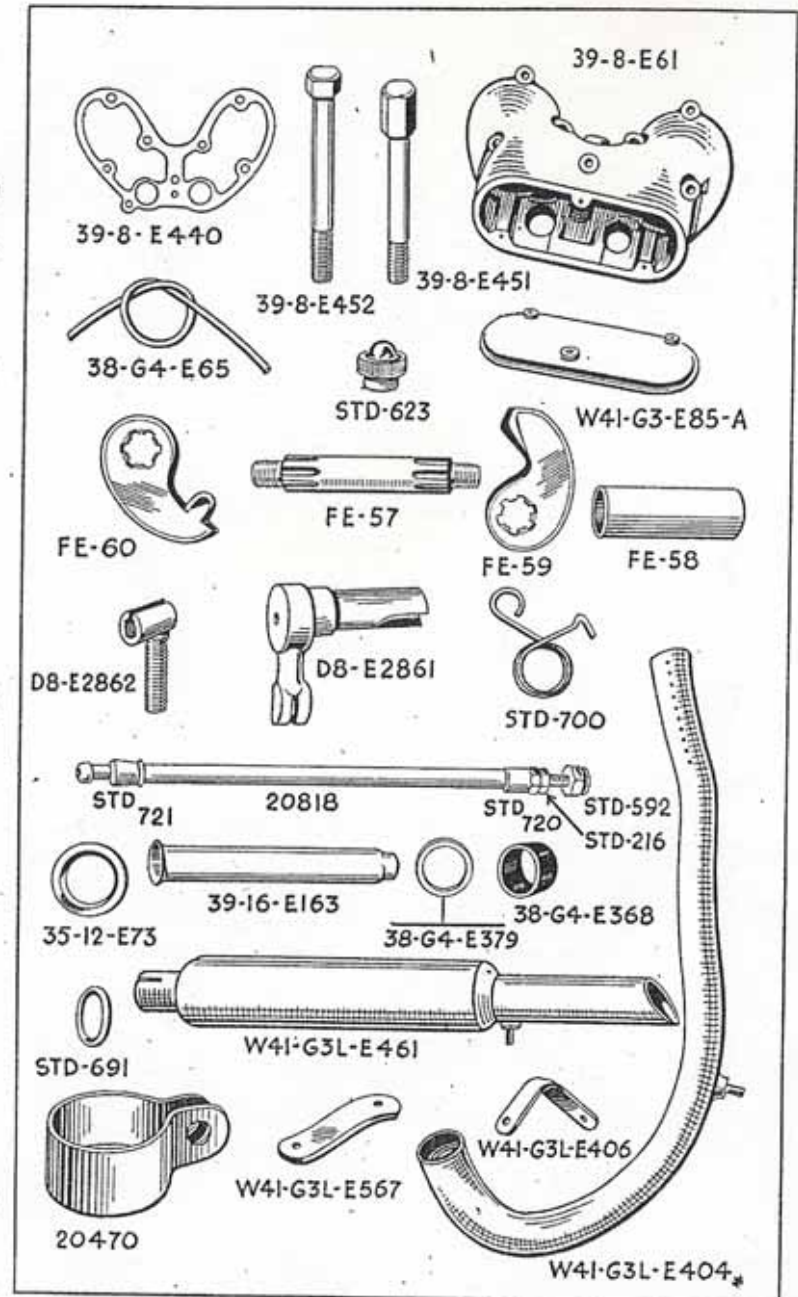
Part Number.	Description.	Qty.	M.T. or Proprietary Part No.	Price Each.
				£ s. d.
CRANKCASE.				
W41-G3-E108	Crankcase, complete.....	1	Not Serviced	4 12 6
37-8-E30	Crankcase, driving side only.....	1	Not Serviced	2 0 0
41-G3-E31	Crankcase, timing side only.....	1	Not Serviced	2 0 0
"CRANKCASE, COMPLETE" includes all bushes and the cylinder base studs, but does not include timing gear and magneto chain covers.				
HALVES OF CRANKCASES must be matched in the factory. Therefore, it is necessary to send the sound half of a crankcase when ordering a new half.				
STD-575	Plug, drain, for crankcase.....	1	MT1/9363	4
STD-483	Screw, plug, for crankcase oil holes.....	3		12
STD-203	Washer, fibre, for oil hole screws.....	3	MT1/16876	12
35-G3-E32	Cover, timing gear, with bushes.....	1		5
37-8-E78	Washer, paper, for timing gear cover.....	1		
STD-577	Peg, dowel, locating timing gear cover.....	2		
STD-482	Screw, fixing timing gear cover.....	5		
W41-G3L-E29	Cover, magneto chaincase.....	1		
STD-484	Screw, fixing magneto chaincase cover.....	6	MT5/23491	
STD-51	Nipple, grease, for magneto chaincase cover.....	1	MT1/TT/P61B.S.F.	
STD-765	Cap, in timing gear cover, for cam bush.....	4		
STD-300	Stud, for cylinder base.....	4		
STD-21	Ball, for cylinder oil feed valve.....	1	MT7/165	
STD-576	Plug, for cylinder oil feed valve.....	1		
STD-701	Spring, for cylinder oil feed valve.....	1		
CRANKCASE BEARINGS.				
41-G3-E27	Bush, for timing side flywheel axle.....	1		3 0 0
R-137	Rollers and cage, for timing side axle.....	1	MT7/8895	10 0 0
41-G3-E541	Sleeve, for timing side roller bearing.....	1		1 0 0
RLS-8	Ball bearing, for driving side flywheel axle.....	1	MT7/6019	1 0 0
16866	Washer, spacing, between ball bearings.....	1		1 0 0
16889-A	Collar, spacing, between ball bearings.....	1		1 0 0
STD-651	Bush, for inlet cam, in crankcase.....	1		1 0 0
STD-652	Bush, for inlet cam, in timing cover.....	1		1 0 0
STD-651	Bush, for exhaust cam, in crankcase.....	1		1 0 0
STD-651	Bush, for exhaust cam, in timing cover.....	1		1 0 0
Dimensions of RLS-8 Bearing: 1 in. by 2 1/2 in. by 1/2 in. Dimensions of R-137 rollers and cage: 1/2 in. by 1 1/2 in. by 1/8 in.				
CRANKCASE BOLTS.				
STD-278	Bolt, front, top position, 4 1/2 in. by 1/8 in.....	1		4
STD-278	Bolt, front, centre position, 4 1/2 in. by 1/8 in.....	1		4
STD-273	Bolt, front, bottom position, 4 1/2 in. by 1/8 in.....	1		4
STD-261	Bolt, bottom, rear position, 4 1/2 in. by 1/8 in.....	1		4
STD-274	Bolt, rear, top position, 3 1/2 in. by 1/8 in.....	1		4
STD-274	Bolt, rear, centre position, 3 1/2 in. by 1/8 in.....	1		4
STD-274	Bolt, rear, bottom position, 3 1/2 in. by 1/8 in.....	1		4
40-G3-F66	Spacer, for front, top bolt.....	1		1
40-G3-F66	Spacer, for front, centre bolt.....	1		1
STD-11	Washer, plain, for front, top bolt.....	1	MT5/15348	1
STD-11	Washer, plain, for front, centre bolt.....	1	MT5/15348	1
STD-5	Nut, for bottom, rear bolt.....	1		1
STD-4	Nut, for all front and rear bolts.....	12		1
For the bottom, front, bolt (STD-280) that passes through the crankcase, the bottom of the main frame front down tube and the front ends of the rear frame assembly, and the spacing tubes, washers and nuts on it, see FRAME PAGE 16.				
OIL PUMP.				
STD-770	Plunger, for oil pump.....	1		6 0
38-12-E96	Screw, guide, for oil pump plunger.....	1		1 0 0
STD-773	Cap, front end, for oil pump.....	1		6
STD-772	Cap, rear end, for oil pump.....	1		6
STD-582	Washer, paper, for pump end caps.....	2		1
STD-13	Screw, fixing front end cap.....	4	MT5/25654	1
STD-591	Bolt, fixing rear end cap.....	4		1
RELEASE VALVE.				
STD-836	Body, release valve.....	1		1 0
STD-835	Diaphragm, for release valve body.....	1		2
TIMING GEAR.				
42-G3L-E132	Camshaft, inlet. (Interchanges with D8-E2932)..... (See inside front cover)	1*		10 3
D8-E2931	Camshaft, exhaust.....	1		9 6
R4-E1028	Pinion, timing, on flywheel axle.....	1		3 9
STD-570	Key, for timing pinion.....	1		3
STD-221	Nut, retaining timing pinion to axle.....	1		3
TAPPETS.				
STD-670-A	Tappet, inlet, bare. (Interchanges with FE-34).....	1		2 6
STD-671-A	Tappet, exhaust, bare. (Interchanges with FE-284).....	1		3 0
STD-638	Collar, for exhaust tappet.....	1		2 0 0
STD-661	Guide, for inlet tappet.....	1		4 0 0
STD-662	Guide, for exhaust tappet.....	1		0

ALL PRICES EXCEPT THOSE MARKED * ARE SUBJECT TO 10% INCREASE.



Part Number.	Description.	Qty.	M.T. or Proprietary Part No.	Price Each.
				£ s. d.
PUSH RODS.				
20818	Rod, long, push, bare.....	1	Not Serviced	1 2
20818-1	Rod, long, push, complete.....	1	Not Serviced	4 7
STD-721	End, ball (bottom), for long push rod.....	1	Not Serviced	1 0 0
STD-720	End, sleeve (top), for top of long push rod.....	1	Not Serviced	1 0 0
STD-592	Screw, adjusting, for top of long push rod.....	1		1 0 4
STD-216	Nut, lock, for push rod adjusting screw.....	1		0 4
PUSH ROD COVER TUBES.				
39-16-E163	Tube, cover, for long push rod.....	1		2 6
38-G4-E368	Gasket, for top of cover tube.....	1		2 6
38-G4-E379	Washer, for top of gasket.....	1		2 6
STD-691	Gland, rubber, for bottom of cover tube.....	1		2 6
35-12-E73	Washer, push rod cover tube. (Fits on tappet guide). (Metal and fibre washers are interchangeable)	1		2 6
ROCKER BOX.				
39-8-E61-ASS	Box, rocker, assembled with all fittings.....	1		2 18 8
39-8-E61	Box, rocker, bare. (Interchanges with W41-G3-E61)	1	Not Serviced	1 0 8
39-8-E452	Bolt, fixing rocker box, short head.....	1		1 0 8
39-8-E451	Bolt, fixing rocker box, long head.....	1		1 0 8
STD-11	Washer, plain, for rocker box fixing bolt.....	2	MT5/15348	1 1
W41-G3-E85-A	Cover, side, for rocker box.....	1		3 6
38-G4-E65	Filler, rubber, for rocker box side cover.....	1		3 6
STD-251	Stud, fixing rocker box side cover.....	1		3 6
STD-623	Nut, for rocker box side cover stud.....	1		3 6
STD-205	Washer, fibre, for rocker box side cover stud.....	1		3 6
39-8-E440	Gasket, for rocker box.....	1	MT1/21087	4 4
38-G4-E204	Bush, for rocker box.....	4		1 6
The price of the Rocker Box bare does not include the four bushes.				
OVERHEAD ROCKERS.				
FE-57	Axis, rocker.....	2		3 6
D8-E1865	Ring, felt, for rocker axle sleeve.....	1		3 6
STD-3	Nut, for rocker axle.....	1		3 6
FE-58	Sleeve, for rocker axle.....	1		3 6
STD-10	Washer, plain, for rocker axle.....	1	MT5/9729	3 6
FE-59	Arm, rocker, valve end (inlet or exhaust).....	2		2 0 3
FE-60	Arm, rocker, push rod end (inlet or exhaust).....	2		2 0 3
EXHAUST VALVE LIFTER.				
D8-E2861	Lever and spindle (combined) (exhaust lift).....	1		3 6
STD-700	Spring, for valve lifter lever.....	1		3 6
D8-E2862	Crosshead, for valve lifter cable.....	1		2 0 0
STD-74	Nut, lock, for valve lifter cable crosshead.....	1		2 0 0
EXHAUST PIPE AND SILENCER SECTION.				
EXHAUST PIPE.				
W41-G3L-E404	Pipe, exhaust, bare.....	1		1 0 6
W41-G3L-E406	Stay, for exhaust pipe.....	1		1 0 6
STD-4	Nut, fixing exhaust pipe to stay.....	1		1 0 6
STD-174	Washer, plain, for exhaust pipe fixing nut.....	1		1 0 6
STD-192	Washer, spring, for exhaust pipe fixing nut.....	1	MT5/49948	1 0 6
SILENCER.				
W41-G3L-E461	Silencer, bare.....	1		19 6
20470	Clip, front, clamping silencer to exhaust pipe.....	1		1 0 0
STD-363	Bolt, for silencer front clip.....	1		1 0 0
STD-174	Washer, plain, for silencer front clip bolt.....	1		1 0 0
STD-192	Washer, spring, for silencer front clip bolt.....	1	MT5/49948	1 0 0
STD-4	Nut, for silencer front clip bolt.....	1		1 0 0
W41-G3L-E567	Stay, for silencer.....	1		1 0 0
STD-4	Nut, fixing silencer to stay.....	1		1 0 0
STD-174	Washer, plain, for silencer fixing nut.....	1		1 0 0
STD-192	Washer, spring, for silencer fixing nut.....	1	MT5/49948	1 0 0
STD-363	Bolt, fixing silencer stay to fork end.....	1		1 0 0
STD-174	Washer, plain, for silencer stay fork end bolt.....	1		1 0 0
STD-4	Nut, for silencer stay fork end bolt.....	1		1 0 0

ALL PRICES EXCEPT THOSE MARKED * ARE SUBJECT TO 10% INCREASE.

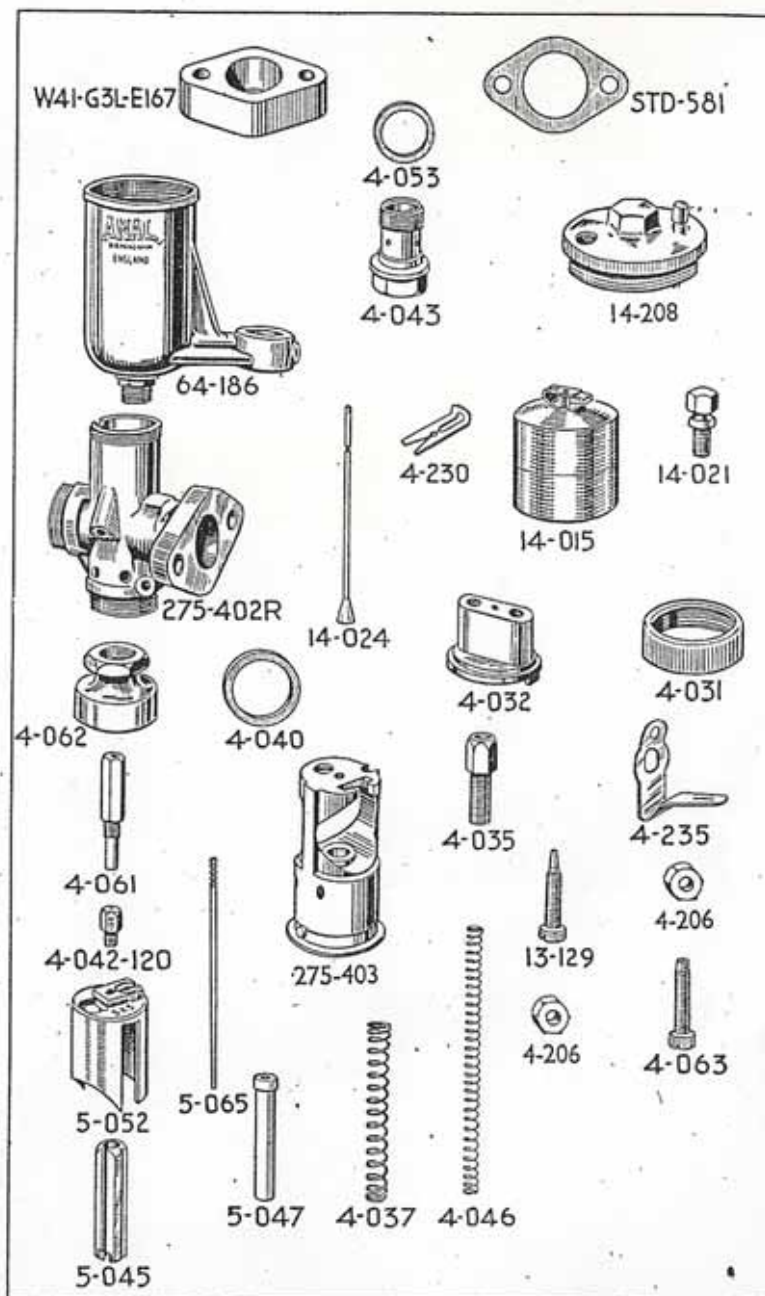


CARBURETTOR SECTION.

Part Number.	Description.	Qty.	M.T. or Proprietary Part No.	Price Each.
				£ s. d.
COMPLETE CARBURETTOR.				
W41-G3L-E67	Complete carburettor, AMAL Type 275F/13, bottom feed.	1	MT12/AM/275F/13	1 16 0*
W41-G3L-E167	Packing Piece for carburettor (one lock bore). (Interchangeable with 1 inch bore, but not vice-versa. See inside front cover)	1		1 6
STD-581	Gasket, for packing piece	1		2
STD-581	Gasket, for carburettor	1		2
The price of the complete carburettor does not include the control levers and cables. (See page 23 for CONTROL LEVERS and page 24 for CONTROL CABLES.)				
FLOAT CHAMBER.				
64-186	Float chamber, complete	1	MT12/AM/13	1 0 6*
13-153	Float chamber, base	1	MT12/AM/64/186	14 6*
14-039	Plug screw, for passage in chamber	1	MT12/AM/13/153	2*
4-043	Fibre washer, for plug screw	1	MT12/AM/14/039	1*
4-053	Bolt, holding chamber to mixing body	1	MT12/AM/4/043	2 0*
14-208	Fibre washer, for holding bolt	1	MT1/19139	2*
14-021	Top (or cover) for float chamber	2	MT12/AM/14/208	2 6*
14-021	Screw, locking float chamber top	1	MT12/AM/14/021	2 6*
14-015	Float, bare	1	MT12/AM/14/015	2 6*
14-024	Needle for float	1	MT12/AM/14/024	11*
14-178	Lock nut, for float needle seat	1	MT12/AM/14/178	3*
14-175	Fibre washer, for float needle seat	1	MT12/AM/14/175	2*
14-210	Stop sleeve, for tickler plunger	1	MT12/AM/14/210	6*
14-031/2/3	Tickler, complete with spring, cotter, and stop	1	MT12/AM/14/031/2/3	1 4*
MIXING BODY.				
275-402-R	Mixing body, bare	1	MT12/AM/275/402/R	10 0*
4-062	Union nut, for mixing body base	1	MT12/AM/4/062	1 6*
4-040	Fibre washer, for union nut	1	MT12/AM/4/040	2*
4-011	Top, for mixing body	1	MT12/AM/4/011	1 9*
4-235	Ring, fixing top to mixing body	1	MT12/AM/4/031	1 9*
4-241	Spring clip, locking fixing ring	1	MT12/AM/4/235	6*
4-035	Screw, securing locking clip to body top	1	MT12/AM/4/241	6*
4-035	Cable adjuster, for body top	2	MT12/AM/4/035	4*
JETS.				
275-403	Jet barrel or choke	1	MT12/AM/275/403	5 0*
4-061	Needle jet	1	MT12/AM/4/061	1 9*
4-042-120	Main jet, size 120 (Air cleaner not in use)	1	MT12/AM/4/042	5*
4-042-160	Main jet, size 160 (Air cleaner used)	1	MT12/AM/4/042	5*
5-065	Taper needle, for needle jet, 2 1/2 in. long	1	MT12/AM/5/065	1 4*
4-230	Clip, for jet taper needle	1	MT12/AM/4/230	4*
4-060	Split pin, locating taper needle clip	1	MT12/AM/4/060	1*
13-129	Screw, for pilot jet air adjustment	1	MT12/AM/13/129	6*
4-206	Lock nut, for pilot jet air screw	1	MT12/AM/4/206	2*
VALVES.				
5-052	Throttle valve, Size 5/5	1	MT12/AM/5/052	3 10*
4-037	Spring, for throttle valve	1	MT12/AM/4/037	3*
4-063	Stop screw, for throttle	1	MT12/AM/4/063	6*
4-206	Lock nut, for throttle stop screw	1	MT12/AM/4/206	2*
5-045	Air valve	1	MT12/AM/5/045	2 6*
5-047	Tubular guide, for air valve	1	MT12/AM/5/047	2*
4-046	Spring, for air valve	1	MT12/AM/4/046	3*

See Page 37 for AIR CLEANER details.

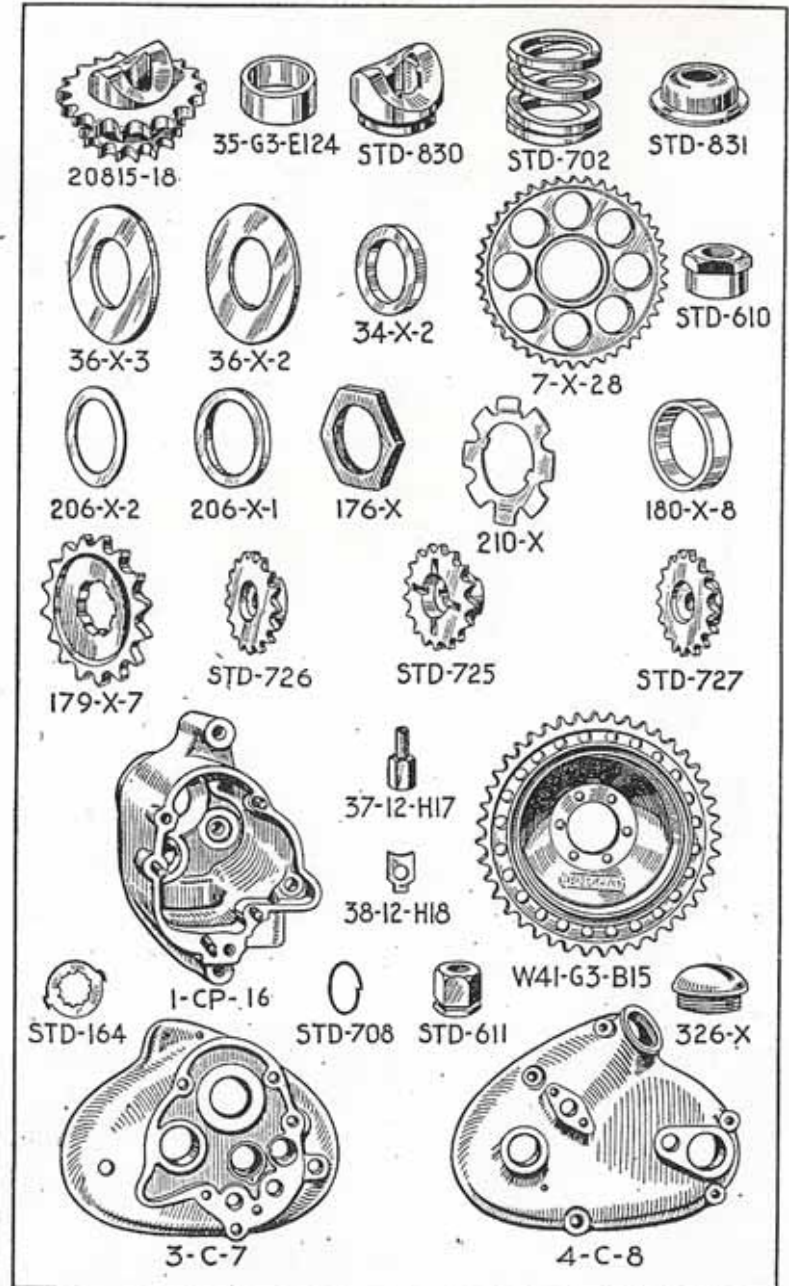
ALL PRICES, EXCEPT THOSE MARKED *, ARE SUBJECT TO 10% INCREASE.



TRANSMISSION SECTION.

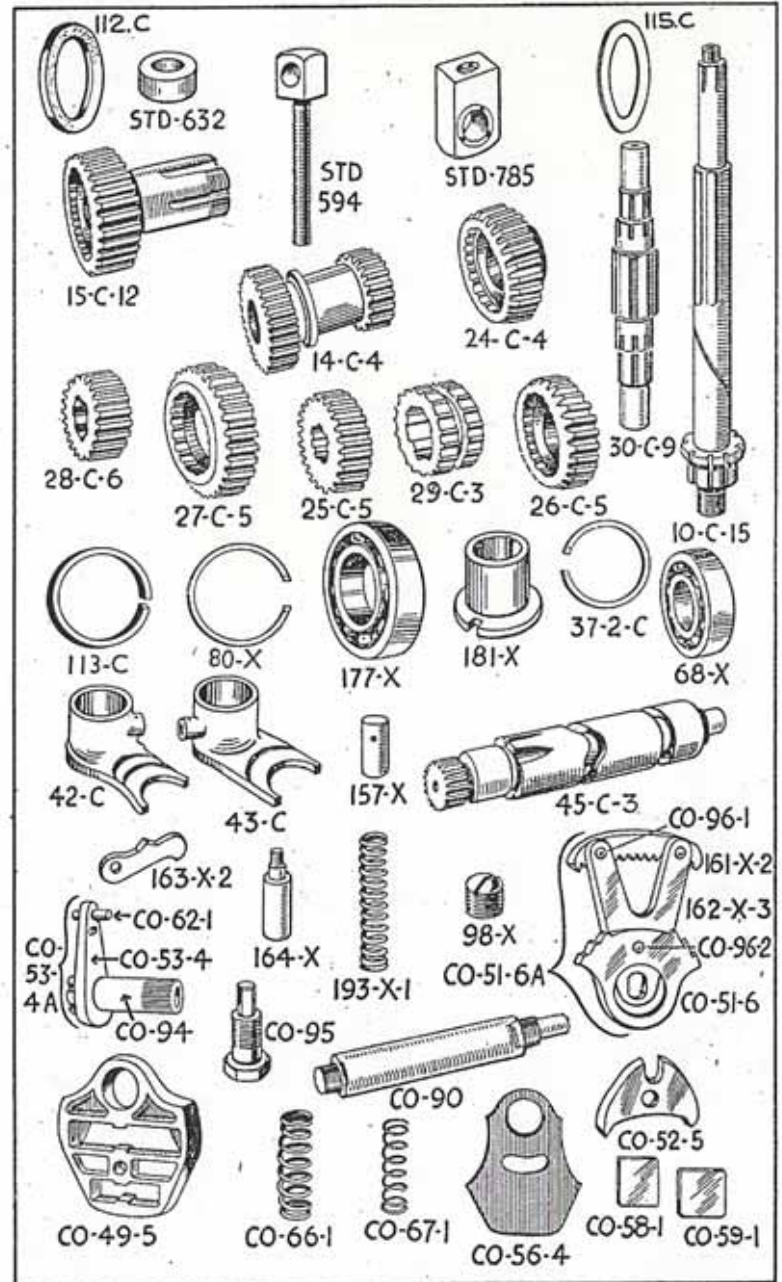
Part Number.	Description.	Qty.	M.T. or Proprietary Part No.	Price Each.
ENGINE SPROCKET.				
20815-18	Sprocket, engine, bare, 18 teeth	1	...	9 6
35-G3-E124	Collar, spacing, for engine sprocket	1	...	3 9
STD-830	Cam, engine sprocket shock absorber	1	...	1
STD-702	Spring, engine sprocket shock absorber	1	...	6
STD-831	Cap, engine sprocket shock absorber spring	1	...	6
STD-610	Nut, lock, engine sprocket shock absorber	1	...	0
CLUTCH SPROCKET.				
7-X-28	Chainwheel, bare, 40 teeth, 1/2 in. by .305 in.	1	Not Serviced	1 0 0
Also see CLUTCH, page 14. (For chainwheel assembled with clutch case).				
34-X-2	Race, roller, clutch sprocket bearing	1	...	2 0
34-X-2	Rollers, set of, for clutch sprocket bearing	24	MT7/6809	3 6
36-X-2	Washer, thin, clutch sprocket bearing	1	...	3 9
36-X-3	Washer, thick, clutch sprocket bearing	1	...	9
GEAR BOX SMALL SPROCKET.				
179-X-7	Sprocket, gear box, 16 teeth, 1/2 in. by .380 in.	1	...	15 0
180-X-8	Collar, spacing, gear box sprocket, 1/2 in. thick	1	...	1 0
206-X-2	Nut, retaining gear box sprocket to driving gear	1	...	4
176-X	Collar, spacing, under gear box sprocket nut, 1/2 in. thick	1	...	1 9
206-X-1	Washer, lock, gear box sprocket nut	1	...	4
210-X	The lock washer (210-X) can be fitted to earlier machines not originally fitted with it.	1	...	6
REAR WHEEL SPROCKET.				
W41-G3-B15	Sprocket and brake drum, rear wheel, 42 teeth, 1/2 in. by .380 in.	1	...	1 1 0
37-12-H17	Bolt, retaining sprocket and brake drum	6	...	3
38-12-H18	Washer, lock, for rear wheel sprocket bolt	6	...	3
STD-74	Nut, for rear wheel sprocket bolt	6	...	3
MAGNETO DRIVING SPROCKETS.				
STD-727	Sprocket, magneto, on engine camshaft (Interchanges with 35-22-E138. See inside front cover)	1	...	4 3
STD-11	Washer, plain, for camshaft sprocket	1	MT5/15348	1
STD-4	Nut, for camshaft sprocket	1	...	3
STD-726	Sprocket, magneto, on armature shaft (Interchanges with 35-22-E38. See inside front cover)	1	...	4 3
1102-1269	Washer, plain, for magneto sprocket on armature shaft	1	...	3
868-1036	Nut, retaining sprocket to armature shaft	1	MT8/LU/140074 MT8/LU/170104	3
DYNAMO SPROCKET.				
STD-725	Sprocket, on dynamo shaft (Interchanges with 20862. See inside front cover)	1	...	3 6
STD-572	Key, for dynamo sprocket	1	MT1/5091	2
STD-10	Washer, plain, for dynamo sprocket	1	MT5/9729	1
STD-164	Washer, lock, dynamo sprocket nut	1	...	1
STD-708	Ring, spring, for dynamo sprocket nut	1	...	1
STD-611	Nut, dynamo sprocket retaining	1	...	6
CHAINS.				
110046-66	Chain, front, 66 links, 1/2 in. by .305 in.	1	MT11/32317	12 2*
110056-91	Chain, rear, 91 links, 1/2 in. by .380 in.	1	MT11/46432	1 4 1*
110036-58	Chain, magneto, 58 links, 1/2 in. by .225 in.	1	MT11/28611	1 6 4*
110036-47	Chain, dynamo, 47 links, 1/2 in. by .225 in.	1	MT11/29412	5 2*
46-29	Link, connecting, for 1/2 in. chain	0	MT11/30486	4*
46-30	Link, connecting, for 1/2 in. chain	0	MT11/46432	6*
56-30	Link, cranked, for 1/2 in. chain	0	MT11/27870	8*
46-27	Clip, spring, for 1/2 in. connecting link	0	MT11/46440	11*
56-27	Clip, spring, for 1/2 in. connecting link	0	MT11/26568 MT11/1375	11*
The prices of front and rear chains include connecting links, and these are included in the number of links per chain.				
Magneto and dynamo chains are endless.				
GEAR BOX.				
W41-G3L-G68	Gear box and clutch assembly	1	...	Price on application
GEAR BOX SHELL.				
1-CP-16	Shell, gear box, bare (with provision for drain plug)	1	...	1 8 0
60-X-6	Stud, for gear box shell, 1 1/2 in. by 1/2 in.	1	...	6 6
60-X-7	Stud, for gear box shell, 3/4 in. by 1/2 in.	1	...	6 6
60-X-1	Stud, for gear box shell, 1 in. by 1/2 in.	1	...	6 6
152-X	Nut, for 1/2 in. gear box shell stud	1	MT5/15819	3
63-X	Nut, for 1/2 in. gear box shell stud	1	MT5/15817	3
348-X	Plug, drain, for gear box shell	1	...	15
3-C-7	Case, kick-starter	1	...	1
2-1C	Washer, paper, for kick-starter case	1	...	1
Paper washer (2-1C) can be used on gear boxes of earlier machines not originally fitted with it.				
286-X	Stud, for kick-starter case, 2 1/2 in. by 1/2 in.	3	...	6
63-X	Nut, for 1/2 in. kick-starter case stud	3	MT5/15817	2
245-X-2	Nipple, grease, angular, for kick-starter case	1	MT1/TT/8655	3
4-C-8	Cover, for kick-starter case	1	...	15 0
4-1C-2	Washer, paper, for kick-starter case cover	1	...	1
326-X	Cap, filler, for kick-starter case cover	1	...	2 0
Paper washer (4-1C-2) can be used on gear boxes of earlier machines not originally fitted with it.				

ALL PRICES, EXCEPT THOSE MARKED *, ARE SUBJECT TO 10% INCREASE.



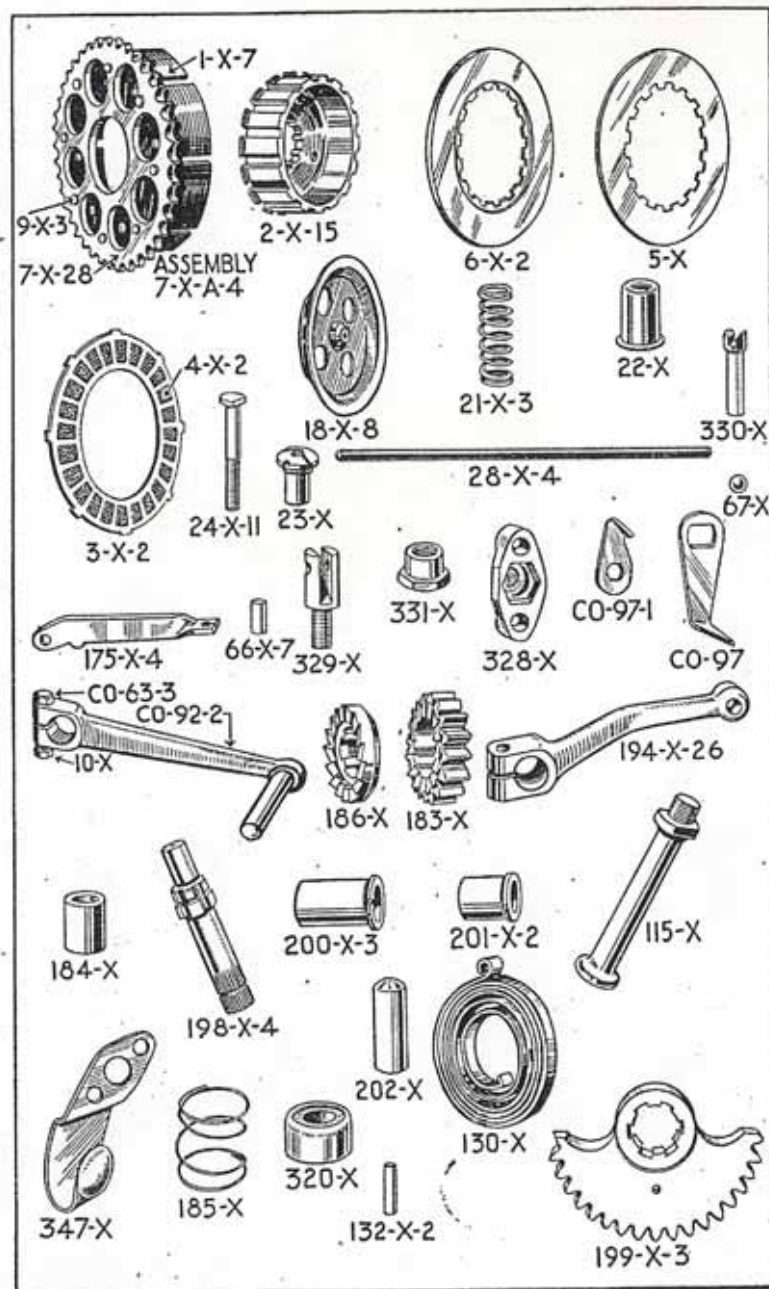
Part Number.	Description.	Qty.	M.T. or Proprietary Part No.	Price Each.
GEAR BOX FIXING BOLTS.				
STD-313	Bolt, gear box top fixing, 4 1/2 in. by 3/8 in.	1		6
STD-312	Bolt, gear box bottom fixing, 3 1/2 in. by 3/8 in.	1		6
STD-632	Collar, spacing, gear box top fixing bolt	1		3
STD-2	Nut, gear box top fixing bolt	1		3
STD-9	Washer, gear box bottom fixing bolt	1		3
STD-594	Washer, plain, gear box top fixing bolt, left side	1	MTS/9730	4
STD-215	Eye-bolt, front chain adjustment	1		4
STD-785	Nut, front chain adjustment eye-bolt	1		4
STD-361	Crosshead, front chain adjustment eye-bolt	1		2
STD-11	Bolt, fixing front chain adjustment eye-bolt crosshead to engine plate	1		2
STD-11	Washer, plain, for bolt fixing front chain adjustment eye-bolt crosshead to engine plate	1	MTS/15348	1
SHAFTS AND GEARS.				
10-C-15	Mainshaft, for gear box, 10 1/2 in. overall length	1		15 6
15-C-12	Gear, driving, on gear box mainshaft, with bush, 32 teeth	1		12 0
187-X-3	Bush, only, for gear box driving gear	1		2 0
14-C-4	Gear, sliding, on gear box mainshaft, 18/23 teeth	1		10 0
24-C-4	Gear, third, on gear box mainshaft, 29 teeth	1		10 0
30-C-9	Layshaft, bare, for gear box	1		10 0
28-C-6	Gear, small, on gear box layshaft, 18 teeth	1		12 6
27-C-5	Gear, first, on gear box layshaft, 32 teeth	1		12 6
26-C-5	Gear, second, on gear box layshaft, 27 teeth	1		10 0
25-C-5	Gear, third, on gear box layshaft, 21 teeth	1		10 0
29-C-3	Clutch, sliding, on gear box layshaft	1		10 0
GEAR BOX BEARINGS.				
177-X	Ball bearing, for gear box main driving gear	1	MT7/1481	15 0
112-C	Washer, felt, gear box driving gear bearing	1		6
115-C	Washer, dished (dust cover) for gear box driving gear ball bearing	1		4
80-X	Ring, split, retaining driving gear ball bearing in gear box shell	1		6
114-C	Washer, outer, for gear box driving gear ball bearing	1		3
113-C	Ring, split, retaining gear box driving gear ball bearing outer washer	1		4
68-X	Ball bearing, for gear box mainshaft (kick-starter end)	1		12 6
37-1-C-2	Washer, gland, for gear box mainshaft ball bearing	1	MT7/6075	6
37-2-C	Ring, split, retaining mainshaft ball bearing in kick-starter case	1		4
181-X	Bush, for gear box layshaft	1		4 0
87-X	Peg, locating gear box layshaft bush	1		4 0
182-X	Cap, in gear box shell, covering layshaft bush aperture	1		2
Dimensions of 177-X: 1-9/32 in. by 62 mm. by 16 mm.				
Dimensions of 114-C: 1-9/32 in. by 2 in.				
Dimensions of 113-C: 1 1/2 in. by 2 1/8 in.				
Dimensions of 68-X: 12 mm. by 40 mm. by 17 mm.				
Dimensions of 37-1-C-2: 1 1/2 in. by 1 1/2 in.				
GEAR OPERATING PARTS.				
42-C	Fork, operating gear box mainshaft sliding gear	1		8 0
43-C	Fork, operating gear box layshaft sliding clutch	1		8 0
157-X	Peg, for gear box operating fork	1		1 1
158-X	Pin, split, for gear box operating fork	1	MT1/5649	1 1
45-C-3	Camshaft, bare, for gear box	1		5 0
159-X	Bush, in gear box shell, for camshaft	1		3 0
163-X-2	Pawl, engages in gear box camshaft	1		3 0
164-X	Pin, bearing, for gear box camshaft pawl	1		1 3
95-X	Nut, for gear box camshaft pawl bearing pin	1		3 9
193-X-1	Spring, for gear box camshaft pawl	1		1 0
98-X	Plug, screwed, retaining gear box camshaft pawl spring	1		1 0
All the above parts are INSIDE THE GEAR BOX SHELL.				
162-X-3	Quadrant, gear selection (carries sector and ratchet)	1	Not Serviced	3 6
161-X-2	Sector, gear selection (engages in camshaft)	1	Not Serviced	4 0
CO-51-5	Ratchet, gear selection	1	Not Serviced	3 6
CO-51-6-A	Quadrant, sector and Ratchet, assembled	1		11 6
CO-96-1	Rivet, fixing camshaft sector to quadrant	2	MTS/7388	1 1
CO-96-2	Rivet, fixing camshaft ratchet to quadrant	2	MTS/14809	1 1
CO-90	Spindle, for gear control quadrant	1		3 1
287-X	Nut (inside), for gear control quadrant spindle	1		1 0
CO-91	Bush, in kick-starter case, for control spindle	1		1 0
CO-51-4	Quadrant, for foot gear control	1	Not Serviced	3 0
CO-94	Sleeve, for foot gear control quadrant	1	Not Serviced	3 6
CO-62-1	Peg, for gear indexing pawl	1		1 1
CO-53-4-A	Quadrant, for foot gear control, assembled with sleeve and peg	1		10 9
CO-54-7	Bush, for foot gear control quadrant sleeve	1		5 0
CO-95	Bolt, fixing quadrant sleeve bush in kick-starter case	1		1 3
CO-53-5	Pawl, indexing, for foot gear control	1		1 3
CO-60-1	Spindle, for gear control indexing pawl	1		1 3
CO-49-5	Box, spring, for foot gear control	1		5 0
CO-56-4	Plate, cover, for foot control spring box	1		1 0 6
CO-67-1	Spring, main, for gear control box (large spring)	1		1 0 6
CO-59-1	Spring, pawl, for gear control box (small spring)	1		1 0 6
CO-58-1	Plate, for gear control box main spring	1		1 0 6
CO-58-1	Plate, for gear control box pawl spring	1		1 0 6
All the above parts are INSIDE THE KICK-STARTER CASE.				

ALL PRICES, EXCEPT THOSE MARKED *, ARE SUBJECT TO 10% INCREASE.



Part Number.	Description.	Qty.	M.T. or Proprietary Part No.	Price Each.
				£ s. d.
CLUTCH.				
1-X-7	Case, for clutch.....	1	Not Serviced	12 0
9-X-3	Rivet, for clutch case and chain wheel.....	8	Not Serviced	1 1
7-X-A-4	Chain wheel and clutch case, assembled.....	1		1 12 8
For the bare chainwheel and its roller bearings, see CLUTCH SPROCKET in the TRANSMISSION SECTION, page 10.				
2-X-15	Centres, for clutch, 1½ in.....	1		1 0 0
69-X	Nut, retaining clutch centre to gear box mainshaft.....	1		6 6
71-X	Washer, plain, for clutch centre retaining nut.....	1		3 3
212-X	Washer, spring, for clutch centre retaining nut.....	1		3 0
6-X-2	Plate, clutch, plain, steel, thick.....	1		6 0
5-X	Plate, clutch, plain, steel, thin.....	4		0 0
3-X-2	Plate, clutch, friction, assembled with inserts.....	4		0 0
4-X-2	Inserts, fabric, for clutch friction plate, price per dozen.....	96		9 0
18-X-8	Plate, spring pressure, for clutch.....	1		9 0
21-X-3	Spring, for clutch.....	4		6 6
22-X	Cap, for clutch spring.....	4		4 8
24-X-11	Seal, for clutch spring, 1½ in.....	4		4 8
23-X	Nut, adjusting, for clutch spring.....	4		4
CLUTCH OPERATING PARTS.				
28-X-4	Rod, thrust, for clutch, 9½ in. long.....	1		1 0
330-X	Plunger, clutch operating.....	1		6 1
67-X	Ball, steel, for clutch operating plunger.....	1	MT7/165	2 0
175-X-4	Lever, clutch operating.....	1		2 0
66-X-7	Pin, for clutch operating lever.....	1		9 9
329-X	Fork, for clutch operating lever.....	1		1 6
331-X	Sleeve, for clutch operating lever fork.....	1		6 6
328-X	Cap, covering clutch operating lever fork sleeve.....	1		6 6
333-X	Screw, fixing fork sleeve cap to kick-starter case cover.....	2		4
GEAR CONTROL PARTS.				
CO-97-1	Indicator, gear neutral, fixed.....	1		3 1
CO-97	Indicator, gear neutral, moving.....	1		2 6
287-X	Nut, retaining moving gear indicator.....	1		2 6
CO-92-2	Lever, foot, gear control.....	1		7 6
CO63-3	Bolt, clamping gear control foot lever to sleeve.....	1		2 2
10-X	Nut, for gear control lever clamping bolt.....	1	MT5/15842	2
KICKSTARTER.				
186-X	Ratchet, kick-starter, driving.....	1		5 9
183-X	Pinion, kick-starter, ratchet.....	1		2 0
184-X	Bush, for kick-starter ratchet pinion.....	1		6 0
185-X	Spring, for kick-starter ratchet pinion.....	1		9 4
70-X	Nut, retaining driving ratchet to gear box mainshaft spindle, for kick-starter quadrant and foot lever.....	1	Not Serviced	7 6
192-X-4	Bush, in kick-starter case, for kick-starter quadrant spindle.....	1		2 0
201-X-2	Bush, in kick-starter case cover, for kick-starter quadrant spindle.....	1		2 0
199-X-3	Quadrant, for kick-starter spindle.....	1	Not Serviced	10 6
199-X-3-A	Kick-starter quadrant and spindle, assembled.....	1		18 0
130-X	Spring, return, for kick-starter.....	1		2 0
132-X-2	Pin, anchor, for kick-starter return spring.....	1		3 3
320-X	Stop rubber and sleeve, for kick-starter quadrant.....	1		6 6
202-X	Peg, for kick-starter stop rubber and sleeve.....	1		6
All the above parts are INSIDE THE KICK-STARTER CASE.				
194-X-26	Lever, foot, kick-starter, bare.....	1		10 6
115-X	Pin, pedal, for kick-starter foot lever.....	1		3 0
109-X	Bolt, clamping kick-starter foot lever to spindle.....	1		9 9
144-X	Washer, spring, for kick-starter foot lever clamping bolt.....	1		1 6
347-X	Nut, for kick-starter foot lever clamping bolt.....	1	MT5/15821	9 9
347-X	Clip, spring, external, for kick-starter foot lever.....	1		9 9
All the above parts are OUTSIDE THE GEAR BOX.				

ALL PRICES, EXCEPT THOSE MARKED *, ARE SUBJECT TO 10% INCREASE.

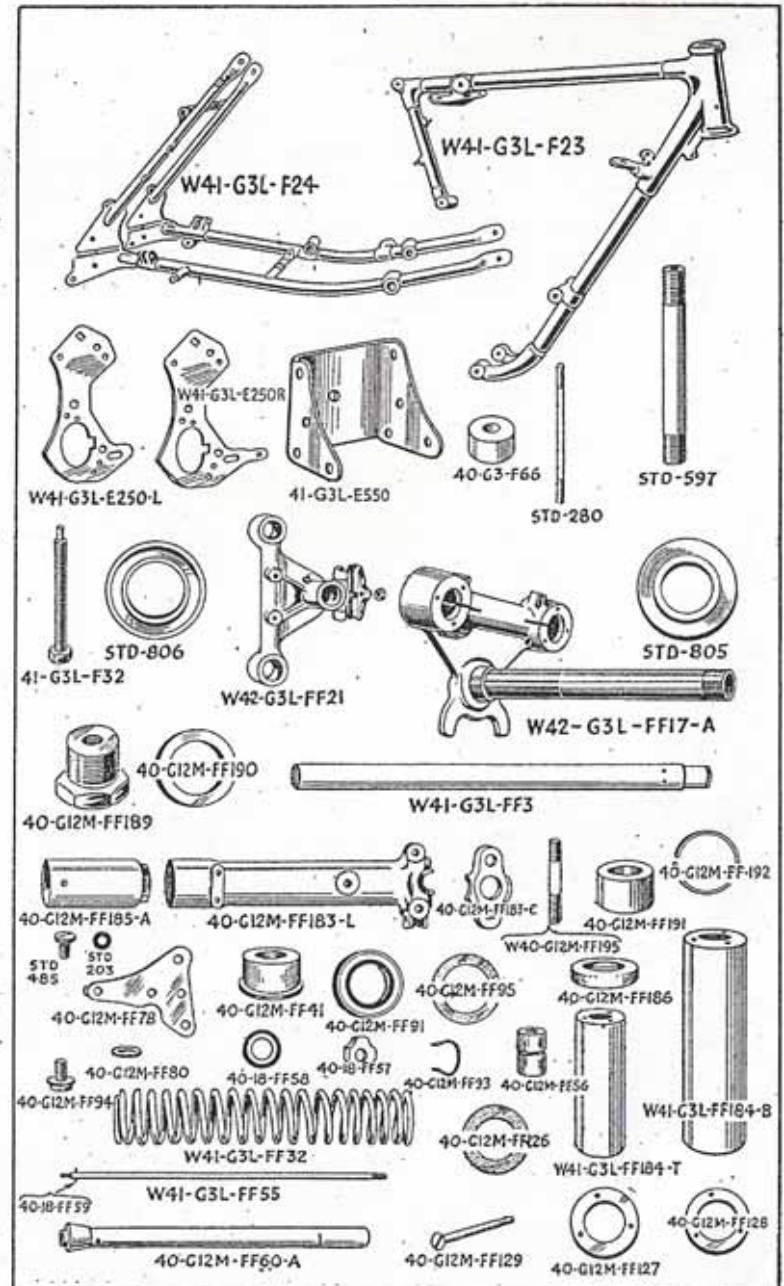


FRAME SECTION.

Part Number.	Description.	Qty.	M.T. or Proprietary Part No.	Price Each.
FRAME.				
41-G3L-F23-24	Frame, assembly.....	1	...	£ 11 0 0
W41-G3L-F23	Frame, front portion only, bare.....	1	...	6 11 0 0
W41-G3L-F24	Frame, rear portion only, bare.....	1	...	3 3 0 0
STD-597	Bolt, for seat lug (under saddle), with earth screw and washer. Only supplied complete.....	1
STD-15	Screw, securing earth wire. (Screws into STD-597 bolt).....	1
STD-185	Washer, plain, for earth wire screw.....	1	MT5/25654	...
STD-8	Washer, plain, for seat lug bolt.....	1	MT5/9731	...
STD-1	Nut, for seat lug bolt.....	1
STD-302	Bolt, for seat tube bottom lug.....	1
STD-3	Nut, for seat tube bottom lug.....	1
STD-280	Bolt, uniting front and rear frame.....	1
STD-11	Washer, plain, for frame uniting bolt.....	1	MT5/15348	...
40-G3-F66	Spacer, for frame uniting bolt.....	1
STD-4	Nut, for frame uniting bolt.....	1
41-G3L-FJ2	Bolt, adjusting rear chain.....	1
STD-5	Nut, for rear chain adjusting bolt.....	1
W41-G3L-E250-L	Nipple grease, for head lug.....	1	MT1/TT/P61B.S.F.	...
W41-G3L-E250-R	Plate, engine, rear, right side.....	1	...	6 0 0 0
41-G3L-E550	Plate, engine, front (and horn mounting).....	1	...	3 0 0 0
STD-303	Bolt, fixing front engine plate to frame front tube.....	1	...	3 0 0 0
STD-10	Washer, plain, for bolt fixing front engine plate to frame.....	1	MT5/9729	1
STD-3	Nut, for bolt fixing front engine plate.....	1	...	2
STD-806	Ball race, for frame head lug.....	1	...	2 5
STD-72	Set of balls, 3/8 in. diameter, for steering head. (Number in set 50).....	56	MT7/162 (Price per Set)	1 1
FORKS.				
W42-G3L-FF17	Fork crown.....	1	ONLY STOCKED COMPLETE { SEE INSIDE FRONT COVER	13 6
41-18-FF20	Head stem.....	1	...	4 0 1
40-G12M-FF92	Clamp, for headstem.....	1	...	17 7
W42-G3L-FF17-A	Crown assembly, fork (comprising above parts).....	1	...	3 2 1
STD-805	Ball race, for handlebar lug.....	1	MT5/15348	12 0
STD-369	Bolt, pinch, for fork crown.....	1
STD-11	Washer, plain, for fork crown pinch bolt.....	1
W42-G3L-FF21	Lug, for handlebar and steering head.....	1
The above handlebar lug includes the handlebar half clip and its studs with washers and nuts. For the part numbers and prices of the studs, washers and nuts, see Handlebar, page 18.				
STD-806	Ball race, for handlebar lug.....	2	MT1/TT/P61B.S.F.	16 1
STD-31	Nipple grease, for handlebar lug.....	1	...	1
STD-236	Nut, adjusting, for head stem.....	1	...	1
L4-FF46	Nut, lock (domed), for head stem.....	1	...	1
W41-G3L-FF3	Tube, fork, inner.....	A	Not Serviced	16 1
40-G12M-FF191	Bush, bottom fork inner tube.....	A	...	1
40-G12M-FF192	Circle, fork inner tube bottom bush.....	A	...	1
40-G12M-FF189	Bolt, fork inner tube, top.....	A	...	1
40-G12M-FF190	Washer, plain, fork inner tube top bolt.....	A	...	1
40-G12M-FF183-L	Slider, fork (left side), with cap, studs and nuts.....	1	...	1
40-G12M-FF183-R	Slider, fork (right side), with cap, studs and nuts.....	1	...	1
40-G12M-FF183-C	Cap, for fork slider (left or right).....	1	...	1
40-G12M-FF185-A	Extension, for fork slider.....	A	...	4 4 6
40-G12M-FF41	Bush, bakelite, guide, fork inner tube.....	A	...	3 1 1
40-G12M-FF91	Oil seal, for fork inner tube.....	A	...	4 4 4
40-G12M-FF95	Washer, paper, fork inner tube oil seal.....	A	...	3 1 1
W41-G3L-FF32	Spring, for front fork.....	A	...	6
40-G12M-FF126	Washer, leather, fork spring seating.....	A	...	1 3 0
W41-G3L-FF184-T	Tube, fork spring cover, top.....	1	...	3 0 0
40-G12M-FF185	Cap, for fork spring top cover tube.....	1	...	3 0 0
40-G12M-FF128	Plate, threaded, locating, for fork spring top cover tube.....	1	...	3 0 0
W41-G3L-FF184-B	Tube, fork spring cover, bottom.....	1	...	3 0 0
40-G12M-FF127	Plate, plain, locating, for fork spring bottom cover tube.....	2	...	3 0 0
40-G12M-FF129	Screw, retaining both cover tube locating plates.....	2	...	3 0 0
STD-485	Plug, oil level, for fork slider.....	1	MT1/16876	1
W41-G3L-FF35	Washer, fibre, fork slider oil level plug.....	1	Not Serviced	1
STD-4	Red, for fork damper.....	B	...	1
40-G12M-FF60-A	Tube, fork damper.....	B	Not Serviced	2
40-G12M-FF56	Sleeve, plunger, fork damper tube rod.....	B	...	4 4 4
40-18-FF58	Valve, for fork damper.....	B	...	4 4 4
40-18-FF57	Seat, for fork damper valve.....	B	...	4 4 4
40-18-FF59	Pin, stop, for fork damper valve.....	B	...	4 4 4
STD-5	Nut, lock, fork damper tube valve.....	B	...	4 4 4
40-G12M-FF93	Clip, retaining damper rod plunger sleeve.....	B	...	4 4 4
40-G12M-FF80	Washer, fibre, fork damper tube bolt.....	B	...	4 4 4
40-G12M-FF94	Bolt, fork damper tube, retaining to slider.....	B	...	4 4 4
40-G12M-FF78	Bracket, for speedometer head.....	B	...	4 4 4
STD-342	Bolt, fixing speedometer head bracket.....	B	MT5/9727	4 4 4
STD-12	Washer, plain, for speedometer head bracket bolt.....	B	...	4 4 4
W40-G12M-FF195	Stud, securing fork slider cap.....	B	...	4 4 4
STD-4	Nut, for fork slider cap securing stud.....	B	...	4 4 4

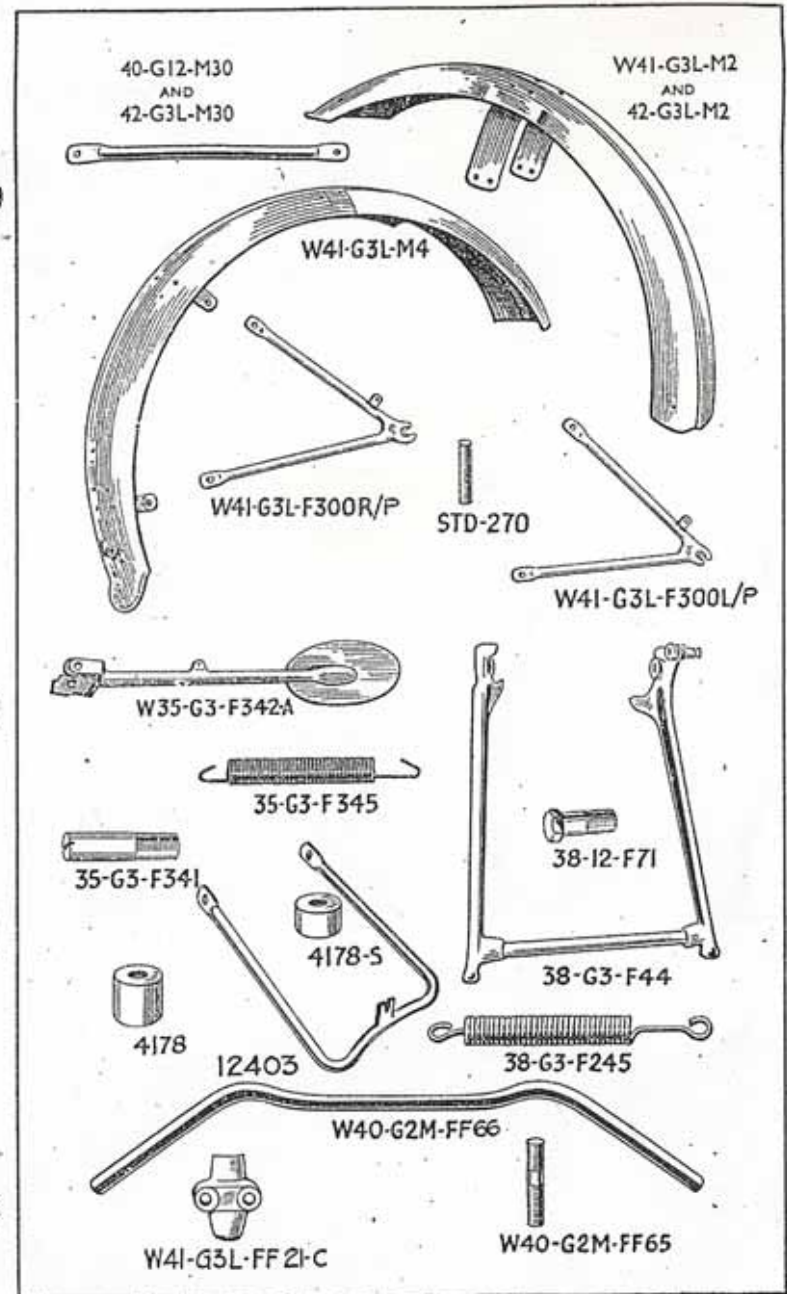
(See page 18 for complete fork assemblies).

ALL PRICES, EXCEPT THOSE MARKED *, ARE SUBJECT TO 10% INCREASE.

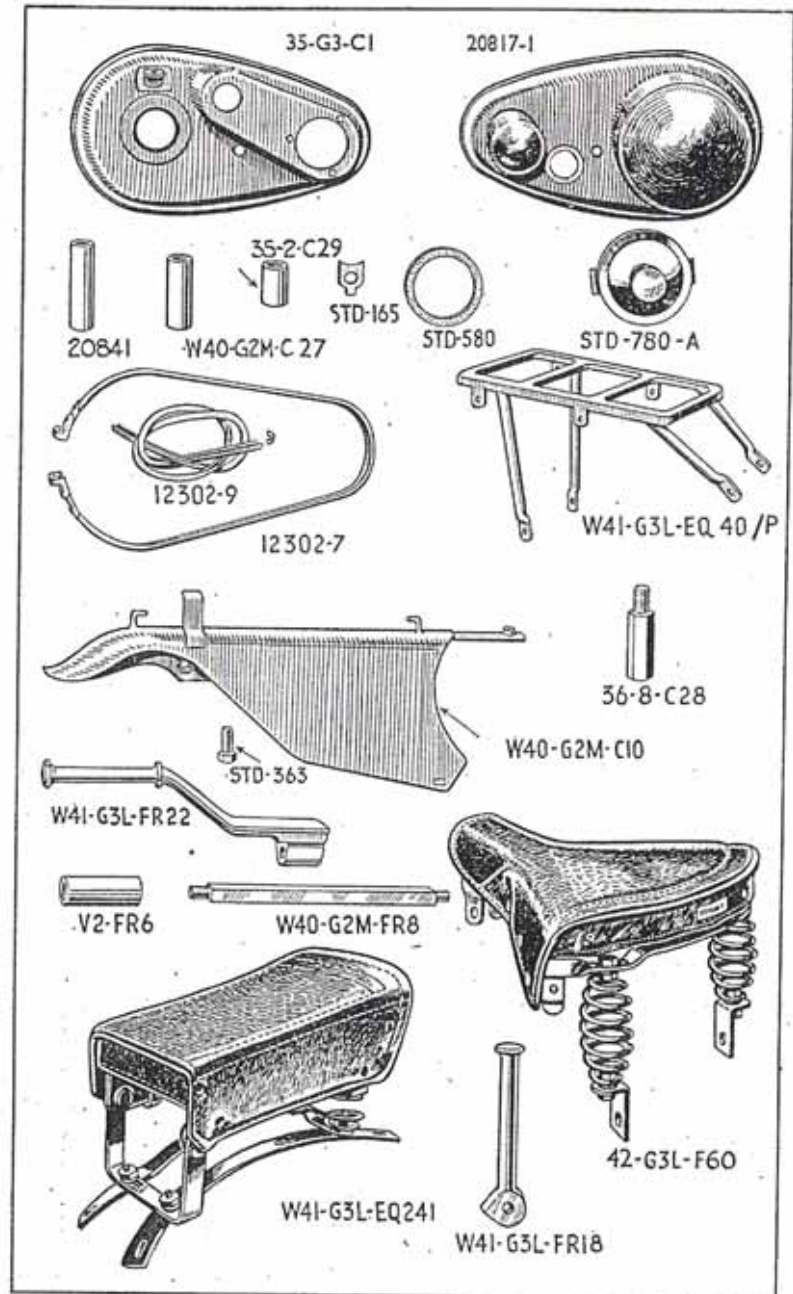


Part Number.	Description.	Qty.	M.T. or Proprietary Part No.	Price Each.
				£ s. d.
W42-G3L-FF1	Front fork assembly.....	1		8 17 4
<p>A Front Fork Assembly comprises all the parts listed in the fork group on the previous page, except the speedometer fixing parts.</p> <p>For ease of servicing, the main fork units are listed, and supplied as separate assemblies, the object being to enable a complete assembly to be exchanged in the minimum of time. These assemblies are listed below.</p>				
W41-G3L-FF201	Front fork inner tube assembly.....	2		1 14 0
<p>The above assembly comprises all those parts in the fork group (page 16) that are marked A.</p>				
W41-G3L-FF202	Front fork damper tube assembly.....	2		5 0
<p>The above assembly fits inside the inner tube assembly and comprises all those parts in the fork group (page 16) that are marked B.</p>				
HANDLEBAR.				
W40-G2M-FF66	Handlebar, bare. (Interchanges with 91-111, see Handlebar, page 22).....	1		12 6
W41-G3L-FF21-C	Half clip, only, for handlebar.....	1		1 3
W40-G2M-FF65	Stud, for handlebar clip.....	2		3 1
STD-11	Washer, plain, for handlebar slip stud.....	2	MT5/15348	2
STD-4	Nut, for handlebar clip stud.....	2		2
FRONT STAND.				
12403	Stand, front bare.....	1		5 0
W41-G3L-FF422	Bolt, fixing stand to left fork slider.....	1		6 6
W41-G3L-FF421	Bolt, fixing stand to right fork slider.....	1		6 6
HBD-52	Washer, spring, front stand fixing bolt.....	2		2 0
STD-14	Pin, split, front stand fixing bolt.....	2	MT1/5649	0 1
STD-344	Bolt, anchoring front stand to front mudguard.....	1		4 4
STD-12	Washer, plain, front stand anchor bolt.....	1	MT5/9727	1 1
STD-211	Nut (with collar), front stand anchor bolt.....	1		2 2
STD-5	Nut, lock, front stand anchor bolt.....	1		2 2
REAR STAND.				
38-G3-F44	Stand, rear, bare.....	1		19 6
38-12-F71	Bolt, fixing rear stand to fork end.....	2		1 1
STD-8	Washer, plain, rear stand fixing bolt.....	2	MT5/9731	1 1
STD-71	Nut, for rear stand fixing bolt.....	2		3 3
38-G3-F245	Spring, return, for rear stand.....	1		1 6
PROP STAND.				
W35-G3-F342-A	Stand, prop. (leg only).....	1		8 6
35-G3-F341	Bolt, hinge, for prop stand leg.....	1		6 6
STD-2	Nut, for prop stand leg hinge bolt.....	1		6 6
35-G3-F345	Spring, return, for prop stand leg.....	1		6 6
FRONT MUDGUARD. (See note on inside of front cover).				
W41-G3L-M2	Mudguard, front, bare (early machines).....	1		12 6
42-G3L-M2	Mudguard, front, bare (late machines).....	1		12 6
W41-G3L-M38	Bolt, fixing front mudguard bracket to fork slider.....	4		3 3
STD-192	Washer, spring, front mudguard bracket bolt.....	4	MT5/49948	1 1
40-G12-M30	Stay, front mudguard (early machines).....	1		1 1
42-G3L-M30	Stay, front mudguard (late machines).....	1		1 1
STD-70	Bolt, fixing stay to front mudguard.....	1		1 1
STD-191	Washer, spring, for bolt fixing stay to front mudguard.....	1	MT5/49947	1 1
STD-12	Washer, plain, for bolt fixing stay to front mudguard.....	1	MT5/9727	1 1
STD-5	Nut, for bolt fixing stay to front mudguard.....	1		1 1
W41-G3L-M38	Bolt, fixing front mudguard to fork slider.....	1		1 1
STD-192	Washer, spring, for mudguard to fork slider bolt.....	1	MT5/49948	1 1
REAR MUDGUARD.				
W41-G3L-M4	Mudguard, rear, bare.....	1		1 0 0
STD-5	Nut, timing both portions of rear mudguard.....	1		0 1 1
STD-12	Washer, plain, rear mudguard timing nut.....	1	MT5/9727	1 1
STD-346	Bolt, rear mudguard to frame bridges. (Top and bottom bridge).....	2		3 3
STD-191	Washer, spring, rear mudguard bridge bolt.....	2	MT5/49947	1 1
STD-5	Nut, rear mudguard bridge bolt.....	2		1 1
STD-370	Bolt, rear mudguard to oil tank bracket.....	1		1 1
4178	Spacer, thick, oil tank bracket bolt.....	1		1 1
4178-5	Spacer, thin, oil tank bracket bolt.....	1		4 4
STD-11	Washer, plain, oil tank bracket bolt.....	1	MT5/15348	1 1
STD-4	Nut, oil tank bracket bolt.....	1		1 1
W41-G3L-F300-L-P	Stay, rear mudguard, left side.....	1		9 9
W41-G3L-F300-R-P	Stay, rear mudguard, right side.....	1		9 9
STD-270	Stud, in frame fork end, for mudguard stay.....	1		1 1
STD-74	Nut, locking stud in frame fork end.....	1		1 1
STD-213	Nut (with collar) locking rear mudguard stay to fork end stud.....	1		1 1
STD-363	Bolt, rear mudguard to rear of stay.....	1		3 3
STD-363	Bolt, rear mudguard to front of stay, left side.....	1		3 3
STD-364	Bolt, rear mudguard to front of stay, right side.....	1		3 3
STD-192	Washer, spring, rear mudguard stay bolt.....	4	MT5/49948	1 1
STD-4	Nut, rear mudguard stay bolt.....	4		1 1

ALL PRICES, EXCEPT THOSE MARKED *, ARE SUBJECT TO 10% INCREASE.



Part Number.	Description.	Qty.	M.T. or Proprietary Part No.	Price Each.
REAR CARRIER.				
W41-G3L-EQ40-P	Carrier, rear, bare.....	1		13 6
For the fixing bolts see REAR MUDGUARD, page 18. (STD-363 and STD-364.)				
FRONT CHAINCASE.				
W40-G2M-C-A	Chaincase, complete (interchanges with 35-G3-C-A)	1		115 0
35-G3-C1	Chaincase, back half, bare (interchanges with W40-G2M-C6)	1		12
20817-1	Chaincase, front half, bare (interchanges with W40-G2M-C1)	1		16 0
12302-7	Band, metal, for chaincase.....	1		5
STD-452	Screw, clamping metal band for chaincase.....	1	MTS/21002	
12302-9	Joint, rubber, for chaincase metal band.....	1		
STD-780-A	Cap, assembly, chaincase inspection. (With knurled screw, back plate and cork washer). (Only supplied complete).....	1		1
STD-580	Washer, cork, for chaincase inspection cap.....	1		
STD-440	Bolt, fixing chaincase to engine.....	3		
STD-165	Plate, locking, for chaincase to engine bolt.....	3		
STD-315	Bolt, fixing centre of front chaincase.....	1		
20841	Spacer, 2 1/2 in. long, for chaincase centre bolt. (Fits between engine plates).....	1		4
W40-G2M-C27	Spacer, 1-61/64 in. long, for chaincase centre bolt. (Fits outside engine plate).....	1		3
35-2-C29	Spacer, 3 in. long, for chaincase centre bolt. (Located inside chaincase).....	1		6
STD-9	Washer, plain, for chaincase centre bolt.....	2	MTS/9730	
STD-2	Nut, for chaincase centre bolt.....	3		1
REAR CHAINGUARD.				
W40-G2M-C10	Chainguard, rear, bare.....	1		17 6
36-8-C28	Bolt, fixing top of rear chainguard in front.....	1		
STD-70	Bolt, fixing bottom of rear chainguard in front.....	1		
STD-12	Washer, plain, for rear chainguard bottom front bolt.....	1		
STD-5	Nut, for rear chainguard bottom front bolt.....	1	MTS/9727	
STD-363	Bolt, fixing rear of rear chainguard.....	1		
STD-11	Washer, plain, for rear chainguard rear fixing bolt.....	1	MTS/15348	
FOOT RESTS.				
W40-G2M-FR8	Rod, footrest, bare.....	1		1 3
V2-FR6	Spacer, between engine plates, for footrest rod.....	1		3
STD-194	Washer, spring, for footrest rod.....	1	MTS/9673	
STD-2	Nut, for footrest rod.....	1		
W41-G3L-FR22	Arm, foot rest.....	1		7 0
PILLION FOOT RESTS.				
W41-G3L-FR18	Spindle, for pillion foot rests.....	1		1 9
STD-403	Bolt, pivot, for pillion foot rest spindle.....	1		4 4
STD-73	Nut, for pillion footrest spindle pivot bolt.....	1		4 6
W41-G3L-FR18-A	Pair of pillion footrests, complete.....	1	Not Serviced	
SADDLE.				
42-G3L-F60	Saddle, Universal. (Lycett or Terry).....	1	MT1/TE/S831	1 7 0*
---	Cover, saddle.....	1	MT1/TE/S831/2	
---	Mattress assembly, saddle. (Terry saddle only).....	1	MT1/TE/S831/16/ASS	
---	Elastic, saddle. (Lycett saddle only).....	1	MT1/LT/6/111 in.	
---	Elastic, saddle. (Lycett saddle only).....	1	MT1/LT/6/152 in.	
---	Elastic, saddle. (Lycett saddle only).....	1	MT1/LT/6/169 in.	
---	Elastic, saddle. (Lycett saddle only).....	1	MT1/LT/6/181 in.	
---	Elastic, saddle. (Lycett saddle only).....	1	MT1/TE/S831/4	
42-G3L-F60-B	Spring, saddle, main.....	1		
42-G3L-F60-K	Kit of parts, Universal saddle.....	1		
STD-362	Bolt, for saddle nose bracket or spring bracket.....	6		
STD-4	Nut, for saddle nose bracket or spring bracket bolt.....	6		
STD-368	Bolt, fixing saddle spring bracket, left side.....	1		
W41-G3L-F399	Bolt, fixing saddle spring bracket and switch support plate bracket, right side.....	1		
STD-11	Washer, plain, for saddle spring bracket bolt.....	1	MTS/15348	
STD-4	Nut, for saddle spring bracket bolt.....	1		
STD-410	Bolt, saddle nose, front hinge.....	1		
STD-10	Washer, plain, for saddle nose hinge bolt.....	1	MTS/9729	
STD-3	Nut, for saddle nose hinge bolt.....	1		
PILLION SEAT.				
W41-G3L-EQ241	Seat, pillion, with fixing bolts, etc.....	1		1 8 0*
STD-70	Bolt, fixing pillion seat.....	4		
STD-12	Washer, plain, for pillion seat fixing bolt.....	4	MTS/9727	
STD-191	Washer, spring, for pillion seat fixing bolt.....	4	MTS/49947	
STD-5	Nut, for pillion seat fixing bolt.....	4		
The above fixing bolts, washers and nuts are not identical to those supplied with a complete pillion seat but can be used for replacement purposes.				
NAME TRANSFERS.				
STD-9189	Transfer, for rear mudguard. (Same as 38-G3-F383)	1	Not Serviced	
STD-9184	Transfer, for top of oil tank. (Same as 38-G3-F381)	1	Not Serviced	
STD-9183	Transfer, for side of oil tank. (Same as 38-G3-F393)	1	Not Serviced	
STD-9186	Transfer, for front chaincase. (Same as 38-G3-F393)	1	Not Serviced	
W41-G3L-T92	Transfer, for top of petrol tank.....	1	Not Serviced	
STD-9192	Transfer, for front forks.....	1	Not Serviced	



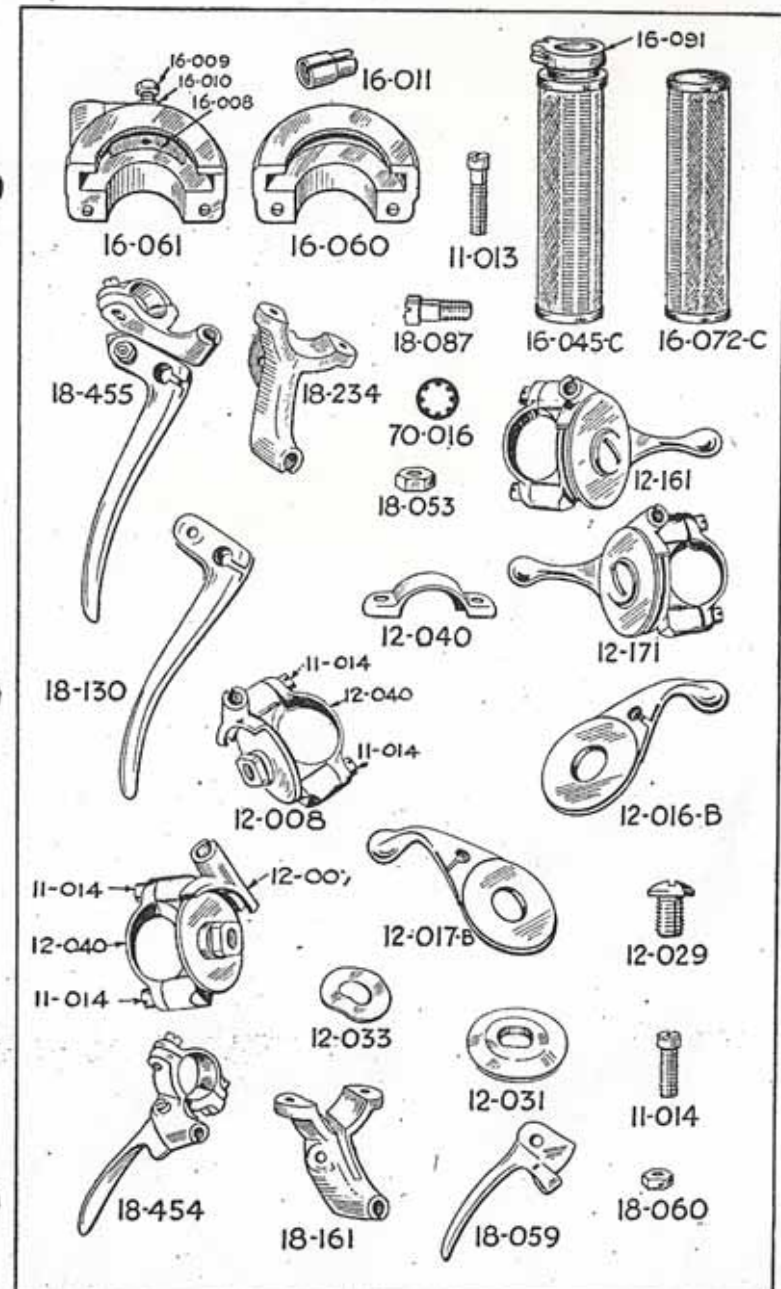
ALL PRICES, EXCEPT THOSE MARKED *, ARE SUBJECT TO 10% INCREASE.
 † STORES DEPOT ISSUE ONLY.

HANDLEBAR AND CONTROL LEVER SECTION.

(STANDARD CONTROLS.)

Part Number.	Description.	Qty.	M.T. or Proprietary Part No.	Price Each.
				£ s. d.
HANDLEBAR.				
91-111	Handlebar. (Interchanges with W40-G2M-FF66, see HANDLEBAR, page 18).....	1	LV7/BC/91-111	...
DUMMY GRIP.				
16-072C	Grip, dummy, canvas.....	1	LV7/BC/16-072C	1 8*
CLUTCH CONTROL LEVER.				
18-455	Lever, assembly, clutch.....	1	LV7/BC/18-455	6 0*
18-130	Lever only, clutch.....	1	LV7/BC/18-130	3 6*
18-234	Bracket, clutch lever.....	1	LV7/BC/18-234	3 6*
12-040	Clamp, clutch lever.....	2	LV7/BC/12-040	6*
11-014	Screw, clutch lever clamp.....	2	LV7/BC/11-014	3*
18-087	Pin, clutch lever fulcrum.....	1	LV7/BC/18-087	3*
18-053	Nut, clutch lever fulcrum pin.....	1	LV7/BC/18-053	3*
70-016	Washer, clutch lever fulcrum pin.....	1	MT3/9688	2*
EXHAUST LIFTER LEVER.				
18-454	Lever assembly, exhaust lifter.....	1	LV7/BC/18-454	3 6*
18-059	Lever only, exhaust lifter.....	1	LV7/BC/18-059	1 6*
18-161	Bracket, exhaust lifter lever.....	1	Not Serviced	1 2*
12-040	Clamp, exhaust lifter lever.....	1	LV7/BC/12-040	6*
11-014	Screw, exhaust lifter lever clamp.....	2	LV7/BC/11-014	3*
11-014	Pin, exhaust lifter lever fulcrum.....	1	LV7/BC/11-014	3*
18-060	Nut, exhaust lifter lever fulcrum pin.....	1	LV7/BC/18-060	3*
AIR CONTROL LEVER.				
12-161	Lever assembly, air.....	1	LV7/BC/12-161	6 0*
12-016B	Lever only, air lever.....	1	LV7/BC/12-016B	1 6*
12-007	Bracket, air lever.....	1	Not Serviced	1 10*
12-040	Clamp, air lever.....	1	LV7/BC/12-040	6*
11-014	Screw, air lever clamp.....	2	LV7/BC/11-014	3*
12-029	Bolt, air lever.....	1	LV7/BC/12-029	3*
12-031	Cap, air lever.....	1	LV7/BC/12-031	5*
12-033	Washer, spring, air lever.....	1	LV7/BC/12-033	2*
MAGNETO CONTROL LEVER.				
12-171	Lever assembly, magneto.....	1	LV7/BC/12-171	6 0*
12-017B	Lever only, magneto.....	1	LV7/BC/12-017B	1 6*
12-008	Bracket, magneto lever.....	1	Not Serviced	1 10*
12-040	Clamp, magneto lever.....	1	LV7/BC/12-040	6*
11-014	Screw, magneto lever clamp.....	2	LV7/BC/11-014	3*
12-029	Bolt, magneto lever.....	1	LV7/BC/12-029	3*
12-031	Cap, magneto lever.....	1	LV7/BC/12-031	5*
12-033	Washer, spring, magneto lever.....	1	LV7/BC/12-033	2*
FRONT BRAKE LEVER.				
18-455	Lever assembly, front brake.....	1	LV7/BC/18-455	6 0*
18-150	Lever only, front brake.....	1	LV7/BC/18-150	3 6*
18-234	Bracket, front brake lever.....	1	LV7/BC/18-234	3 6*
12-040	Clamp, front brake lever.....	1	LV7/BC/12-040	6*
11-014	Screw, front brake lever clamp.....	2	LV7/BC/11-014	3*
18-087	Pin, front brake lever fulcrum.....	1	LV7/BC/18-087	3*
18-053	Nut, front brake lever fulcrum pin.....	1	LV7/BC/18-053	3*
70-016	Washer, front brake lever fulcrum pin.....	1	MT3/9688	2*
TWIST GRIP.				
16-117C	Twist grip, assembly.....	1	LV7/BC/16-117C	7 0*
16-045C	Grip, twist grip, canvas.....	1	LV7/BC/16-045C	1 8*
16-060	Body, twist grip, top half.....	1	LV7/BC/16-060	3 0*
16-061	Body, twist grip, bottom half.....	1	LV7/BC/16-061	3 0*
11-013	Screw, twist grip body.....	2	LV7/BC/11-013	3*
16-091	Rotor and sleeve, twist grip.....	1	Not Serviced	3 6*
16-008	Spring, twist grip friction.....	1	LV7/BC/16-008	0 0*
16-009	Screw, twist grip friction spring.....	1	LV7/BC/16-009	4*
16-010	Nut, twist grip friction spring screw.....	1	MT3/15782	2*
16-011	Stop, twist grip cable.....	1	LV7/BC/16-011	4*

ALL PRICES, EXCEPT THOSE MARKED *, ARE SUBJECT TO 10% INCREASE.



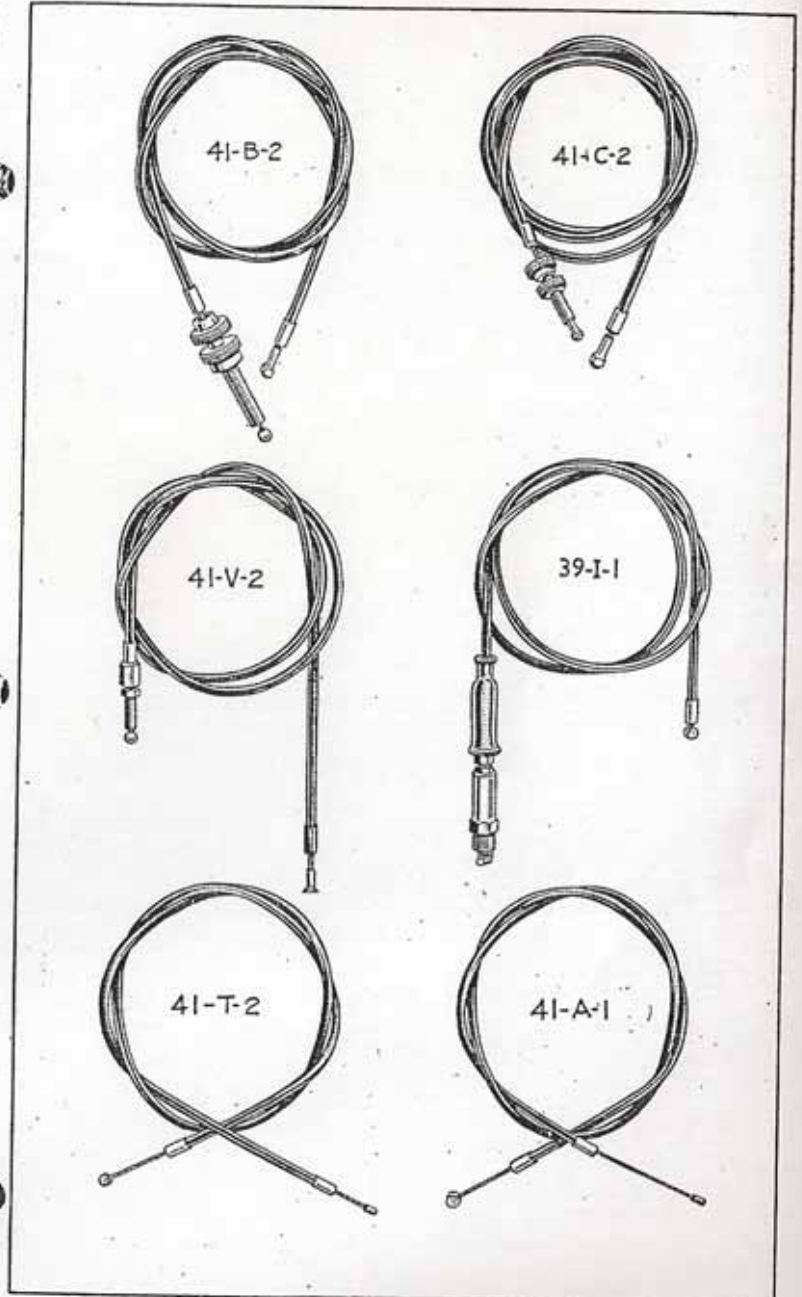
CONTROL CABLE SECTION.

THE COMPLETE CONTROL CABLES LISTED IN THE FOLLOWING SIX PARAGRAPHS INCLUDE ALL THE PARTS THAT MUST BE THREADED ON THE INNER CABLES BEFORE THE NIPPLES ARE FITTED. THEY ARE ASSEMBLED READY FOR USE.

THE INNER WIRES DO NOT INCLUDE THE NIPPLES AND THE OUTER CASINGS DO NOT INCLUDE THE END FERRULES.

Part Number.	Description.	Qty.	M.T. or Proprietary Part No.	Price Each.
				£ s. d.
FRONT BRAKE CABLE.				
41-B-2	Cable, front brake, complete, assembled.....	1	...	4 3
12-44	Wire, inner, front brake, 44 in. (finished length 42½ in.)	1	MT1/13462	9
40-038	Nipple, for inner wire, brake end.....	1	...	3*
18-088	Nipple, for inner wire, handlebar end.....	1	...	3*
12C-38½	Casing, outer, front brake, 38½ in.....	1	MT1/13465	1 0
12E	Ferrule, for outer casing.....	2	MT1/BN/PN991/1	1 0
16365	Adjuster, front brake cable.....	1	...	4
16363	Nut, lock, front brake cable adjuster.....	1	...	10
16482	End, yoke, front brake cable.....	1	...	3
STD-736	Pin, for yoke end, front brake cable.....	1	MT1/5649	0½
STD-14	Pin, split, brake cable yoke end pin.....	1
CLUTCH CABLE.				
41-C-2	Cable, clutch, complete, assembled.....	1	...	4 9
12-52	Wire, inner, clutch, 52 in. (finished length 50½ in.)	1	MT1/13462	1
4	Nipple, for inner wire, gear box end.....	1	...	0 1
18-088	Nipple, for inner wire, handlebar end.....	1	...	0 1
12C-47	Casing, outer, clutch, 47 in.....	1	MT1/13465	2 0
12E	Ferrule, for outer casing.....	2	MT1/BN/PN991/1	5
20876	Adjuster, clutch cable.....	1	...	5
STD-612	Nut, lock, clutch cable adjuster.....	1	...	4
VALVE LIFTER CABLE.				
41-V-2	Cable, valve lifter, complete, assembled.....	1	...	3
12-35	Wire, inner, valve lifter, 35 in. (finished length 33½ in.)	1	MT1/13462	...
40-038	Nipple, for inner wire, engine end.....	1
18-115	Nipple, for inner wire, handlebar end.....	1
12C-30½	Casing, outer, valve lifter cable, 30½ in.....	1	MT1/13465	1
12E	Ferrule, for outer casing.....	2	MT1/BN/PN991/1	2
11751	Adjuster, valve lifter cable.....	1	...	2
STD-622	Nut, lock, valve lifter cable adjuster.....	1
IGNITION CONTROL CABLE.				
39-I-1	Cable, ignition, complete, assembled.....	1	...	4 0
11-45	Wire, inner, ignition, 45 in. (finished length 42½ in.)	1	MT1/13468	8
MC4	Nipple, for inner wire, magneto end.....	1	MT8/LU/455788	6
12-034	Nipple, for inner wire, handlebar end.....	1	...	2
11C-39½	Casing, outer, ignition cable, 39½ in.....	1	MT1/13464	1 8
11E	Ferrule, for outer casing.....	2	MT1/1032	1
MC9	Cap, rubber, cable entry to magneto.....	1	MT8/LU/342641/4	5 3
MC7-8	Adjuster (with lock nut), ignition cable.....	1	MT8/LU/111591	6
MC6	Sieve, screws into magneto, ignition cable.....	1	MT8/LU/2642/2	6
MC5	Spring, cable return, ignition cable.....	1	MT8/LU/2642/4	2
THROTTLE CONTROL CABLE.				
41-T-2	Cable, throttle, complete, assembled.....	1	...	3 3
11-41	Wire, inner, throttle, 41 in. (finished length 39½ in.)	1	MT1/13468	8
1482	Nipple, for inner wire, carburettor end.....	1	MT12/AM/1482	2 2
12-034	Nipple, for inner wire, handlebar end.....	1	...	2 2
11C-36	Casing, outer, throttle cable, 36 in.....	1	MT1/13464	1 5
11E	Ferrule, for outer casing.....	2	MT1/1032	1
AIR CONTROL CABLE.				
41-A-1	Cable, air, complete, assembled.....	1	...	3 3
11-38	Wire, inner, air, 38 in. (finished length 37 in.)	1	MT1/13468	...
1482	Nipple, for inner wire, carburettor end.....	1	MT12/AM/1482	...
12-034	Nipple, for inner wire, handlebar end.....	1
11C-32	Casing, outer, air cable, 32 in.....	1	MT1/13464	1 3
11E	Ferrule, for outer casing.....	2	MT1/1032	1

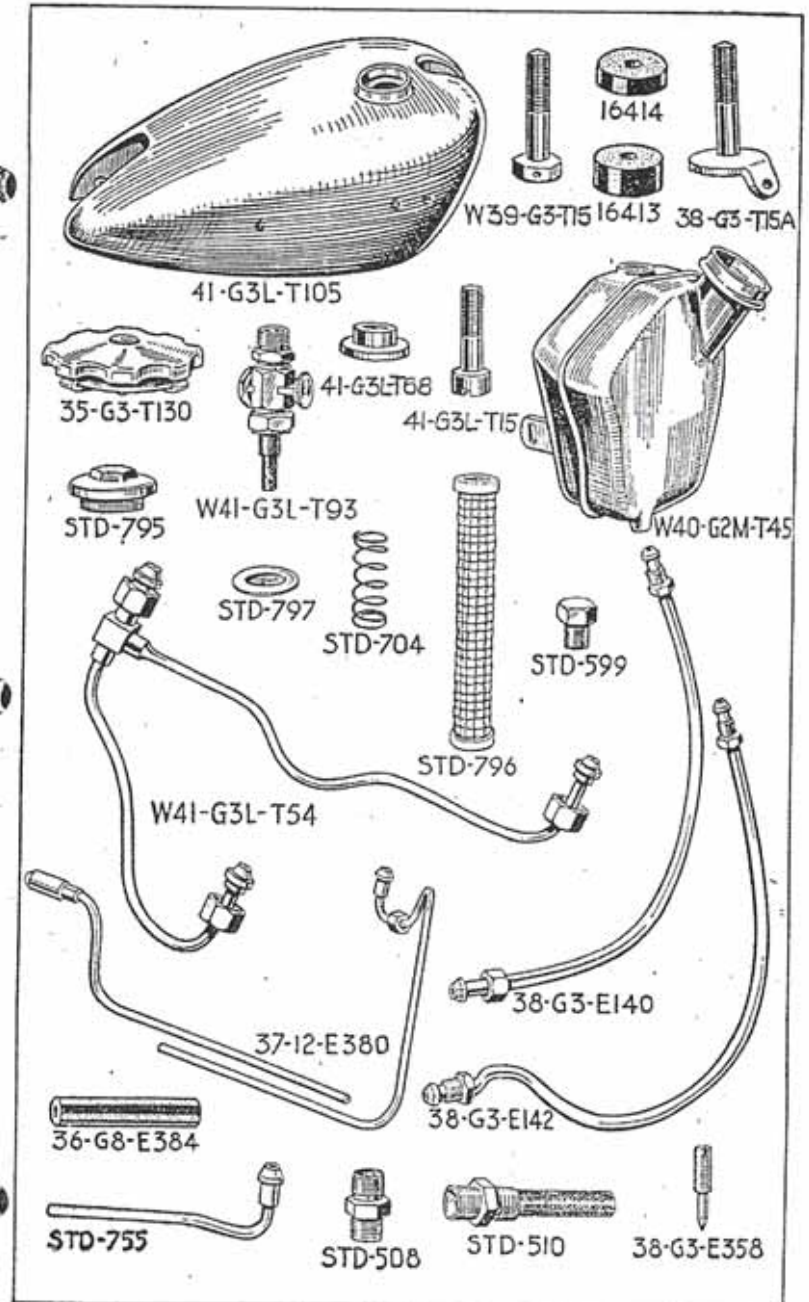
ALL PRICES, EXCEPT THOSE MARKED *, ARE SUBJECT TO 10% INCREASE.



TANK SECTION.

Part Number.	Description.	Qty.	M.T. or Proprietary Part No.	Price Each.
PETROL TANK.				
41-G3L-T105	Tank, petrol, bare.....	1	...	4 13 6
38-G3-T15-A	Bolt, fixing petrol tank front (left and right sides)...	2	...	10*
W39-G3-T15	Bolt, fixing petrol tank, rear (left side only).....	1	...	10*
41-G3L-T15	Screw, fixing petrol tank, rear (right side only).....	1	...	10*
16413	Pad, rubber, thick, for all petrol tank fixing bolts ...	4
16414	Pad, rubber, thin, for petrol tank front fixing bolts...	2
STD-173	Washer, metal, plain, for all petrol tank fixing bolts	5
41-G3L-T68	Washer, spigot, for petrol tank rear fixing screw (right side).....	1	...	10*
<p>There are no thin rubber pads on the petrol tank rear fixing bolts. In lieu of the thin rubber pads on these bolts one STD-173 plain metal washer is used on the left side bolt and one 41-G3L-T68 spigot washer is used on the right side "bolt."</p>				
PETROL TANK FITTINGS.				
35-G3-T130	Cap, filter, for petrol tank.....	1	...	3 0
AT-30-C	Washer, only, for petrol tank filter cap.....	1	...	3 0
W41-G3L-T93	Tap, for petrol supply.....	2	MT1/40476	3 0
STD-200	Washer, fibre, small, for petrol tap.....	2	...	4 2
OIL TANK.				
W40-G2M-T45	Tank, oil, bare. (Interchanges with 40-G3-T45).....	1	...	1 2 6
35-G3-T130	Cap, filter, for oil tank.....	1	...	3 0
AT-30-C	Washer, only, for oil tank filter cap.....	1	...	3 0
STD-599	Plug, drain, for oil tank.....	1	MT1/9362	3 3
STD-200	Washer, fibre, for oil tank drain plug.....	1	MT1/40476	3 3
STD-796	Filter, felt, for oil tank.....	1	...	2 6
STD-704	Spring, for oil tank felt filter.....	1	...	4 3
STD-797	Washer, diaphragm, for oil tank felt filter.....	1	...	3 0
STD-795	Cap, screwed, for oil tank filter compartment.....	1	...	1 0
STD-583	Washer, cork, for oil tank filter compartment cap...	1	...	1 0
<p>For the nuts and washers fixing the oil tank to the frame see BATTERY CARRIER, page 35. For the bolt, spacers, washers and nut fixing the oil tank to the rear mudguard, see REAR MUDGUARD, page 18.</p>				
PETROL PIPE AND FITTINGS.				
W41-G3L-T54	Pipe, assembly, petrol feed.....	1	...	5 6
OIL PIPES.				
38-G3-E140	Pipe, oil feed (tank to engine) with nuts.....	1	...	3 6
37-12-E380	Pipe, oil feed (pump to rocker box) with nuts, but less rubber connection.....	1	...	2 6
38-G3-E142	Pipe, oil return (engine to tank) with nuts.....	1	...	3 6
STD-755	Pipe, oil discharge, for release valve.....	1	...	0 6
36-G8-E384	Connection, rubber, for rocker box oil feed pipe.....	1	...	0 6
<p>The feed pipe to rocker box (37-12-E380) is in two pieces. The price includes the union nuts, but NOT the rubber connection.</p>				
OIL PIPE FITTINGS.				
STD-508	Union, oil, in rocker box.....	1	...	4
STD-510	Union, oil, with filter, for main feed from oil tank...	1	...	1 4
STD-504-N	Nut, union, for rocker box oil feed pipe (top end)...	1	...	1 4
37-12-E383	Nut, union, for rocker box oil feed pipe (bottom end)	1	...	1
STD-504-N	Nut, union, for oil discharge pipe.....	1	...	1
38-G3-E358	Screw, needle adjusting (in cylinder head).....	1	...	2
STD-290	Nut, lock, for needle adjusting screw.....	1	...	2
<p>The needle adjusting screw (38-G3-E358) screws into the right-hand side of the cylinder head and regulates the oil supply to the inlet valve guide.</p>				

ALL PRICES, EXCEPT THOSE MARKED *, ARE SUBJECT TO 10% INCREASE



WHEEL AND BRAKE SECTION.

A FRONT WHEEL COMPLETE, WITH ALL FITTINGS, INCLUDES ALL BRAKE PARTS AND HUB BEARINGS, SPINDLE WITH WASHER AND NUT, BUT DOES NOT INCLUDE THE TYRE.

Part Number.	Description.	Qty.	M.T. or Proprietary Part No.	Price Each.
FRONT WHEEL.				
W41-G3L-H45-A	Wheel, front, assembly, with all fittings.....	1	...	4 13 4
W41-G3L-H45	Wheel, front, bare, less all fittings.....	1	Not Serviced	2 3 0
W41-G3L-H20	Rim, front, 19 in. by 2 1/2 in. (same as 40-G3WO-H20)	1	...	11 0 0
W41-G3L-H51	Spoke, front wheel, left 5/8 in. by 8G by 10G.....	20	...	2 3 2
12399	Spoke, front wheel, right, 5/8 in. by 9G by 11G.....	20	...	2 3 2
20678	Nipple, for front wheel spoke, left.....	20	...	1 1 0
20680	Nipple, for front wheel spoke, right.....	20	...	1 1 0
W40-G2M-H19	Hub, front wheel, shell only with brake drum, bare...	1	...	1 10 0
STD-34	Nipple, grease, angular, for front wheel hub.....	1	MT1/TT/8655	0 6

FRONT WHEEL BEARINGS.

40-G12M-H10	Spindle, with roller bearings, for front wheel.....	1	...	14 0
W41-G3L-H50	Oil seal, for hub bearings (interchanges with felt washer 11909).....	2	...	8
11910	Ring, spring, locating bearings in hub shell.....	1	...	3 3 2
11911	Cup, for hub bearing oil seal.....	1	...	2 3 2
11912	Ring, spacing, for hub bearing oil seal.....	1	...	2 3 2
11913	Ring, retaining, for hub bearing oil seal.....	3	...	2 3 2
11914	Nut, lock, for hub bearing adjusting ring.....	1	...	1 3 3
11915	Ring, adjusting, for hub bearing.....	1	...	1 6 6
40-G12M-H47	Nut, locating front brake cover plate.....	1	...	3 3 3
40-G12M-H100	Washer, locating front brake cover plate.....	1	...	4 4 4
40-G12M-H46	Nut, outside, securing front brake cover plate.....	1	...	5 5 5
STD-1	Nut, front wheel spindle, left side.....	1	...	5 5 5
STD-8	Washer, plain, front wheel spindle, left side.....	1	MT1/9731	1

A REAR WHEEL, COMPLETE WITH ALL FITTINGS, INCLUDES ALL BEARINGS ASSEMBLED, BUT DOES NOT INCLUDE THE CENTRE SOLID SPINDLE, AXLE WASHERS, SPACERS, AXLE NUTS, BRAKE PARTS, SPEEDOMETER DRIVE, SPROCKET AND TYRE.

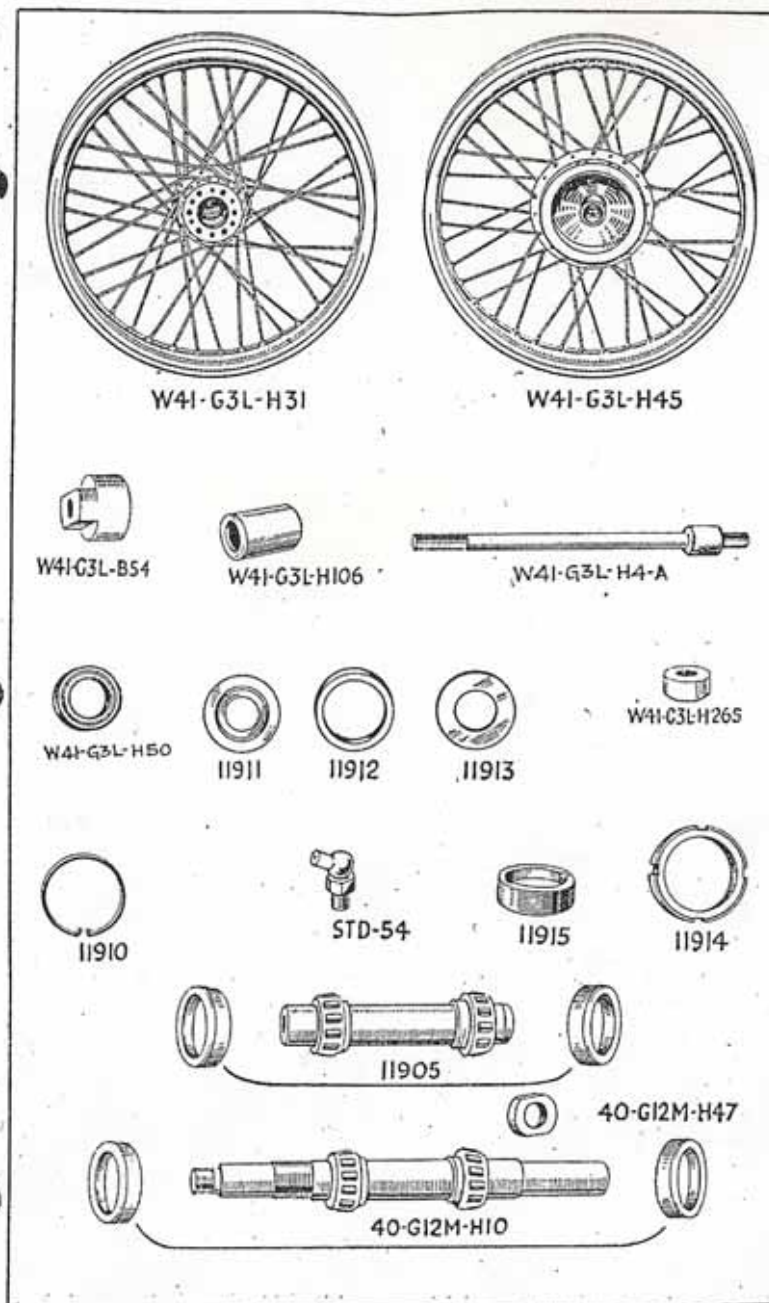
REAR WHEEL.

W41-G3L-H31-A	Wheel, rear, assembly with all fittings.....	1	...	3 14 10
W41-G3L-H31	Wheel, rear, bare, less all fittings.....	1	Not Serviced	2 10 6
W41-G3L-H21	Rim, rear, 19 in. by 2 1/2 in. (same as 40-G3WO-H21)	1	...	11 6 6
39-8-H54	Spoke, rear wheel, left or right, 5/8 in. by 6G by 9G.....	40	...	2 1 1
12344	Nipple, for rear wheel spoke, left or right.....	40	...	1 1 1
W41-G3L-H12	Hub, rear wheel, shell only, bare.....	1	...	1 7 9
STD-54	Nipple, grease, angular, for rear wheel hub.....	1	MT1/TT/8655	0 6
41-G3-H132	Bolt, security, for rear wheel tyre.....	1	MT14/26273	3 3

REAR WHEEL BEARINGS.

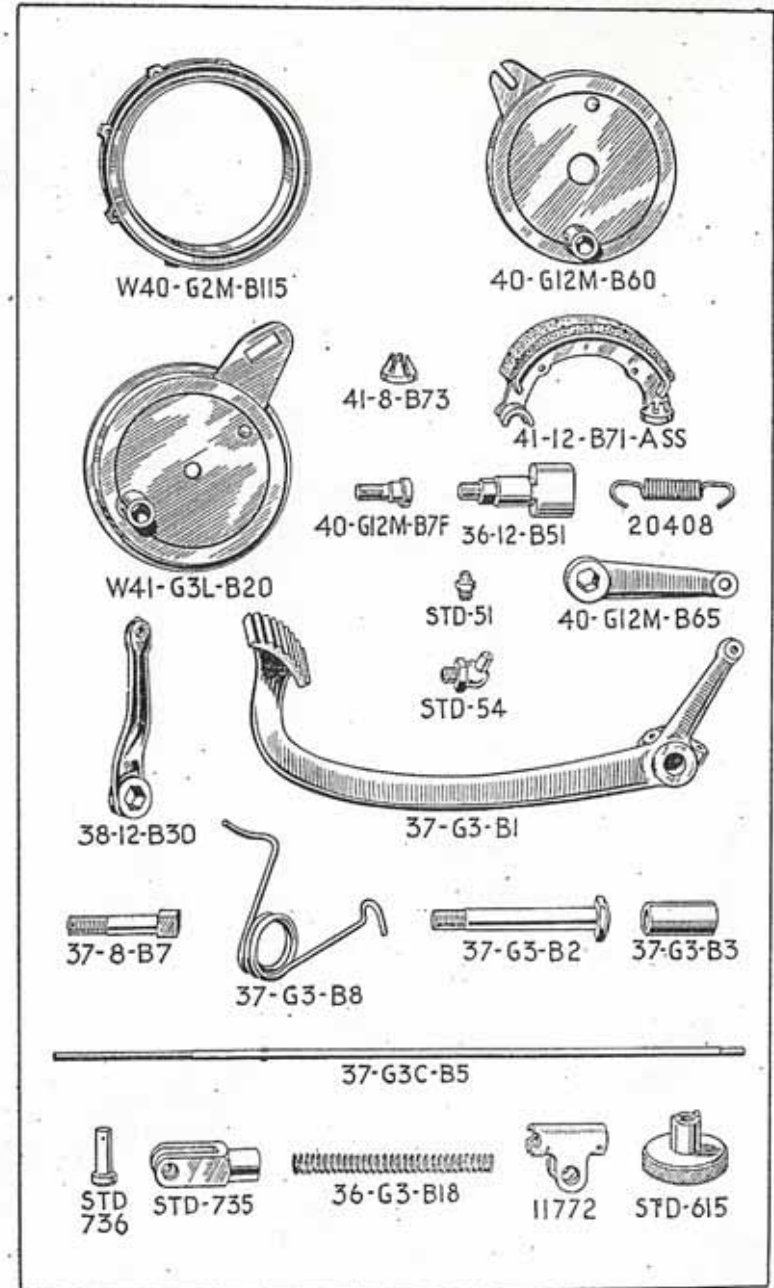
11905	Spindle, hollow, with roller bearings for rear wheel	1	...	17 6
W41-G3L-H50	Oil seal, for hub bearings (interchanges with felt washer 11909).....	2	...	8
11910	Ring, spring, locating bearings in hub shell.....	1	...	3 3 2
11911	Cup, for hub bearing oil seal.....	1	...	2 3 2
11912	Ring, spacing, for hub bearing oil seal.....	1	...	2 3 2
11913	Ring, retaining, for hub bearing oil seal.....	3	...	2 3 2
11914	Nut, lock, for hub bearing adjusting ring.....	1	...	1 3 3
11915	Ring, adjusting, for hub bearing.....	1	...	1 6 6
W41-G3L-H4-A	Spindle, centre, solid, for rear wheel.....	1	...	3 3 3
W41-G3L-H106	Spacer, for rear wheel solid spindle (next to cover plate).....	1	...	3 3 3
W41-G3L-B54	Spacer, for rear wheel solid spindle (fits in fork end)	1	...	3 3 3
W41-G3L-H26-S	Spacer, for rear wheel solid spindle (for speedometer gear box).....	1	...	3 3 3
STD-2	Nut, for rear wheel solid spindle.....	2	...	3 3 3
STD-9	Washer, plain, for rear wheel solid spindle.....	2	MT5/9730	1 1

ALL PRICES, EXCEPT THOSE MARKED *, ARE SUBJECT TO 10% INCREASE.



Part Number.	Description.	Qty.	M.T. or Proprietary Part No.	Price Each.
FRONT BRAKE.				
W40-G2M-B115	Drum, front brake, bare.....	1	...	10
STD-140	Screw, fixing front brake drum to hub shell.....	8	...	12
40-G12M-B60	Plate, cover, front brake.....	1	...	10
40-G12M-B7F	Bolt, anchor, front brake cover plate.....	1	...	10
STD-11	Washer, plain, front brake anchor bolt.....	1	MT5/15348	...
STD-4	Nut, front brake anchor bolt.....	1
STD-14	Pin, split, front brake anchor bolt.....	1	MT1/5649	...
3836-3	Linings (per pair of), for brake shoes, less rivets.....	1 pr.	...	2
STD-105	Rivets (per set of), for brake linings.....	16	MT5/49570	...
20408	Spring, for brake shoes.....	2
36-12-B51	Expander, for brake shoes.....	1	...	2
40-G12M-B65	Lever, for front brake shoe expander.....	1	...	3
STD-51	Nipple, grease, for brake expander.....	1	MT1/TT/P6;B.S.F.	...
STD-174	Washer, plain, for brake expander.....	1
STD-4	Nut, for brake expander.....	1
41-12-B71-ASS	Shoe, front (or rear) brake, c/w linings and thrust collars. (Only supplied in pairs).....	1 pr.	...	9 4
41-8-B73	Collar, thrust, brake expander adjusting.....	2	...	1 0
REAR BRAKE.				
W41-G3L-B20	Plate, cover, rear brake.....	1	...	13 0
37-8-B7	Bolt, anchor, rear brake cover plate.....	1
STD-3	Nut (thick), rear brake anchor bolt.....	1
STD-73	Nut, lock (thin), rear brake anchor bolt.....	1
STD-6	Pin, split, rear brake anchor bolt.....	1	MT1/5649	...
3836-3	Linings (per pair of), for brake shoes, less rivets.....	1 pr.	...	2
STD-105	Rivets (per set of), for brake linings.....	16	MT5/49570	...
20408	Spring, for brake shoes.....	2
36-12-B51	Expander, for brake shoes.....	1	...	2
38-12-B30	Lever, for rear brake shoe expander.....	1	...	2
STD-51	Nipple, grease, for brake expander.....	1	MT1/TT/P6;B.S.F.	...
STD-174	Washer, plain, for brake expander.....	1
STD-4	Nut, for brake expander.....	1
41-12-B71-ASS	Shoe, rear (or front), c/w linings and thrust collars. (Only supplied in pairs).....	1 pr.	...	9 4
41-8-B73	Collar, thrust, brake expander, adjusting.....	2	...	1 0
For the rear brake drum and sprocket, fixing bolts and nuts, see the TRANSMISSION SECTION, page 10.				
REAR BRAKE OPERATING PARTS.				
37-G3-B1	Pedal, foot, rear brake.....	1	...	7 6
37-G3-B3	Hub, for rear brake foot pedal.....	1	...	6 6
STD-54	Nipple, grease, angular, rear brake pedal.....	1	MT1/TT/8655	...
37-G3-B2	Spindle, for rear brake foot pedal.....	1	...	5 9
STD-9	Washer, plain, rear brake pedal spindle.....	2	MT5/9710	...
STD-194	Washer, spring, rear brake pedal spindle.....	1	MT5/9673	...
STD-2	Nut, rear brake pedal spindle.....	1	...	3
37-G3-B4	Spring, return, rear brake pedal.....	1	...	3 6
STD-345	Bolt, adjusting, rear brake pedal.....	1	...	3 2
STD-5	Nut, lock, rear brake pedal adjusting bolt.....	1	...	3 0
37-G3C-B5	Rod, rear brake, bare.....	1	...	10
STD-735	End, yoke, front end of rear brake rod.....	1	...	3
STD-736	Pin, rear brake rod front end yoke end.....	1	MT1/5649	01
STD-14	Pin, split, rear brake rod front end yoke end pin.....	1	...	3
36-G3-B18	Spring, rear brake rod.....	1	...	1 6
STD-178	Washer, plain, rear brake rod spring.....	1	...	1 6
11772	Clip, adjusting, rear end of rear brake rod.....	1	...	1 6
STD-736	Pin, rear brake rod adjusting clip.....	1	...	1 6
STD-14	Pin, split, rear brake rod adjusting clip pin.....	1	MT1/5649	...
STD-615	Nut, knurled, adjusting, rear brake rod.....	1	...	1

ALL PRICES, EXCEPT THOSE MARKED *, ARE SUBJECT TO 10% INCREASE.



ELECTRICAL SECTION.

Part Number.	Description.	Qty.	M.T. or Proprietary Part No.	Price Each.
MAGNETO (LUCAS). NI/3/AO.				
37-G3-E76	Platform, for magneto	1		4
STD-341	Bolt, fixing magneto, right, long	1		
STD-340	Bolt, fixing magneto, left, short	1		
STD-12	Washer, for magneto fixing bolts	2	MT5/9727	
STD-4	Nut, left, for platform front fixing bolt	1		
35-G3-E56	Nut, right, for platform front fixing bolt	1		
STD-11	Washer, for platform front fixing bolt	1		
	Magneto, type NI/3/AO	1	MT5/15348	
	Cup, insulating	1	MT8/LU/42020	
	Washer, leather	1	MT8/LU/M2643/3	
	Stud, C/B end plate locating	1	MT8/LU/M2976/4	
	Holder, C/W carbon and spring (earth)	1	MT8/LU/455191	
	Carbon and spring (earth)	1	MT8/LU/455190	
	Pick up assembly	1	MT8/LU/463066	
	Carbon and spring for pick up	1	MT8/LU/451260	
	Nut, H.T. lead retaining	1	MT8/LU/M3156/4	
	Washer, cable end	1	MT8/LU/185008	
	Washer, pick up seating	1	MT8/LU/455622	
	Armature assembly	1	MT8/LU/454593	
	Condenser	1	MT8/LU/464140	
	Ring, slip	1	MT8/LU/M255/2	
	Washer, lineth	1	MT8/LU/463944	
	Thrower, oil	1	MT8/LU/455634	
	Washer, shim, .045 in. thick	1	MT7/46984	
	Bearing D/E and C/B end	1	MT5/19623	
	Nut, shaft, D/E	1	MT8/LU/140074	
	Washer, shaft, D/E	1	MT8/LU/454176	
	Plate assembly, C/B end	1	MT8/LU/452907	
	Washer, end plate packing, .005 in. thick	1	MT8/LU/122124	
	Screw, end plate seal	1	MT8/LU/463107	
	Control set of parts	1	MT8/LU/454969	
	Plunger, control	1	MT8/LU/M2642/2	
	Barrel, control	1	MT8/LU/M2642/4	
	Spring, control	1	MT8/LU/455788	
	Nipple, control	1	MT8/LU/111591	
	Screw, stop, adjusting control	1	MT8/LU/170091	
	Nut, lock, control cable stop	1	MT8/LU/M3550/2	
	Washer, lock, control	1	MT8/LU/M2841/4	
	Cup, rubber, control	1	MT8/LU/M2644/2	
	Cam	1	MT8/LU/M2646/1	
	Ring, jump type, for cam	1	MT8/LU/M13207/2	
	Screw, timing	1	MT8/LU/M12648/1	
	Cover, C/B	1	MT8/LU/451315	
	Pin and spring assembly	1	MT8/LU/451315	
	Breaker, contact, assembly, complete	1	MT8/LU/M2649/3	
	Base, contact breaker	1	MT8/LU/M2679/4	
	Bush, insulating, centre C/B	1	MT8/LU/M2587/3	
	Screw, carrier, spring, C/B	1	MT8/LU/M2687/2	
	Bush, insulating	1	MT8/LU/484098	
	Contact set	1	MT8/LU/M2580/3	
	Nut, contact screw	1	MT8/LU/M2688/3	
	Spring, C/B, back	1	MT8/LU/M2585/4	
	Screw, fixing spring	1	MT8/LU/M2587/1	
	Tappet	1	MT8/LU/M1290/1	
	Screw, C/B fixing	1	MT8/LU/M2689/1	
	Washer, locking	1	MT8/LU/M2648/3	
	Carrier, C/B spring	1		

The magneto platform is mounted above the rear engine plates. The rear end is secured by the bolt on the seat tube bottom lug (see Frame parts, page 16), and the front end is secured by the dynamo strap square crossbar (listed above) which is threaded on both ends and the nuts and washers (STD-4, 35-G3-E56 and STD-11), listed in the magneto group, above, fit on that bar.

DYNAMO FIXING PARTS.

35-G3-E275	Strip, dynamo, locating	1		9
STD-44	Screw, fixing locating strip to dynamo	2		1
STD-178	Washer, plain, locating strip screw	2		1
FE-76	Strap, clamping dynamo	1		6
STD-791	Fcu, hinge, dynamo clamping strap	1		4
35-G3-E277	Steeve, threaded, dynamo strap eye	1		5
41-G3-E280	Bolt, tightening, dynamo strap	1		4
	(Interchanges with 35-G3-E280)			
35-G3-E279	Crossbar, square, dynamo clamping strap	1		5

ALL PRICES, EXCEPT THOSE MARKED *, ARE SUBJECT TO 10% INCREASE.

†STORES DEPOT ISSUE ONLY.

Part Number.	Description.	Qty.	M.T. or Proprietary Part No.	Price Each.
--------------	--------------	------	------------------------------	-------------

DYNAMO. TYPE EJAR/AO5/1.

	Dynamo, complete, type EJAR/AO5/1	1	MT8/LU/200430	
	Screw, pole fixing	2	MT4/LU/L2146/5	
	Colls, field, set	1	MT8/LU/200188	
	Cover, band assembly	1	MT8/LU/200435	
	Screw, band cover	1	MT5/18314	
	Bracket assembly, driving end	1	MT8/LU/200373	
	Armature, complete	1	MT8/LU/200370	
	Nut, driving end, shaft	1	MT8/LU/173814	
	Washer, packing, driving end, thin	4	MT8/LU/M535/5	
	Washer, packing, driving end, thick	1	MT8/LU/M533/5	
	Washer, brass, driving end, grease	1	MT8/LU/146010	
	Washer, brass, commutator end, distance	1	MT8/LU/L1072/5	
	Washer, fibre, commutator end, grease	1	MT8/LU/L576/2	
	Key, Woodruff, driving end	1	MT1/5091	
	Bracket assembly, commutator end	1	MT8/LU/200032	
	Plate, terminal clamp	1	MT8/LU/200312	
	Screw, clamp plate fixing	1	MT8/LU/L4991/4	
	Springs, brush, set	1	MT8/LU/200079	
	Brushes, set	1	MT8/LU/200290	
	Bolt (through) fixing	2	MT8/LU/L4989/3	
	Bearing, commutator end	1	MT7/46981	

VOLTAGE REGULATOR. TYPE MCR.

	Voltage regulator, complete	1	MT4/LU/33020	
	Plate assembly, terminal clamping	1	MT4/LU/390723	
	Screw, fixing terminal plate	2	MT4/LU/100713	
	Sleeve, cable end	4	MT3/LU/188818	
	Cover	1	MT4/LU/390460	
	Clip, spring, cover retaining	1	MT4/LU/390461	
STD-70	Bolt, fixing regulator to frame	2		2
STD-12	Washer, plain, regulator fixing bolt	2	MT5/9727	1
STD-5	Nut, regulator fixing bolt	2		2

BATTERY. (See inside Front Cover).

Two makes of battery have been fitted. Early machines were equipped with LUCAS wet "Lead-acid" batteries while later machines have VARLEY "Dry Accumulators" which are unspillable "Lead-acid" batteries. Either make of battery can be used on any machine.

PW/7E	Battery, Lucas, complete with lid (uncharged)	1	MT4/30230	1	0	0
S-2171-1B	Lid, only, for Lucas battery	1	MT4/LU/S2171/1B	1	6	*
M/C-7/12	Battery, Varley, complete with lid (fully charged)	1		1	9	*
M/C-7/12-L	Lid, only, for Varley battery	1		1	6	*
M/C-7/12-V	Plug, vent, for Varley battery	3				4

REAR LAMP. TYPE L-WD-MCTI.

L-WD-MCTI	Rear lamp, complete, less bulb	1	MT3/WD/MCTI	5	9
525890	Case, C/W ruby glass	1	MT3/LU/525890		
52886	Spring, case retaining	1	MT3/LU/525886		
525897	Bulb, holder, set of parts, rear lamp	1	MT3/LU/525897		
SA147	Connection, screwed, for lead	1	MT3/LU/SA147		
200	Bulb, electric, 6/7 volt, 3 watt, S.B.C.	1	MT3/47174		

BOLTS—FIXING REAR LAMP.

STD-70	Bolt, fixing rear lamp to mudguard	2		2
STD-12	Washer plain, rear lamp fixing bolt	2	MT5/9727	1
STD-5	Nut, rear lamp fixing bolt	2		2

LAMP FIXING BRACKETS.

W41-G3L-FF74-L	Bracket, for head lamp, top, left	1		6
W41-G3L-FF74-R	Bracket, for head lamp, top, right	1		6
W41-G3L-FF73-L	Bracket, for head lamp, bottom, left	1		6
W41-G3L-FF73-R	Bracket, for head lamp, bottom, right	1		6

The head lamp top brackets are secured by the speedometer bracket fixing bolts and the bottom brackets are secured by the fork crown pinch bolts. These are all listed on page 16.

ALL PRICES, EXCEPT THOSE MARKED *, ARE SUBJECT TO 10% INCREASE.

†STORES DEPOT ISSUE ONLY.

Part Number.	Description.	Qty.	M.T. or Proprietary Part No.	Price Each.
HEAD LAMP. TYPE DU-42.				
Machines to this contract have been fitted with two patterns of head lamps and switches.				
Early deliveries have —				
A head lamp in the top of which are mounted the main lighting switch and an ammeter. Parts only used on such machines are identified below by the word "EARLY."				
Late deliveries have —				
A head lamp in the top of which is only mounted a push button change-over switch controlling the main and pilot head lamp bulbs.				
A main lighting switch located below the saddle on the right hand side of the machine. Parts only used on such machines are identified below by the word "LATE."				
Parts that are common to both early and late deliveries are not specially identified below.				
50027A	Head lamp, complete with mask, <i>early</i>	1	†MT3/LU/DU42/MAG	
50073A	Head lamp, complete with mask, <i>late</i>	1	†MT3/LU/50073	
112209	Screw, lamp fixing.....	2	†MT3/LU/112209	
137141	Washer, plain, lamp fixing screw.....	2	MT3/9728	
516047	Clip, C/N stud, rim fixing.....	1	†MT3/LU/516047	
NB-398-3	Wire, clasp fixing.....	1	†MT3/17765-4 in. OFF	
NC-359/20	Cord, rubber, panel seating.....	1	†MT6/8223-1 ft.	
NB-398/36	Reflector assembly.....	1	†MT3/LU/NB398/36	
NB-398/10	Wire, back shell fixing.....	1	†MT3/LU/NB398/10	
515191	Back shell assembly.....	1	†MT3/LU/515191	
504801	Holder, bulb, assembly, main.....	1	†MT3/LU/504801	
N890	Clip and screw assembly, bulb holder fixing.....	1	†MT3/LU/N890	
188818	Sleeve, terminal.....	5	†MT3/LU/188818	
NB/317/41	Wire, reflector fixing.....	4	†MT3/LU/NB317/41	
NC309-6	Joint bead, reflector to mask, cork.....	1	†MT3/LU/NC309/6	
50000C	Mask, W.D. pattern.....	1	†MT3/84604	
540862	Glass, rectangular.....	1	†MT3/84535	
540876	Frame, glass fixing.....	1	†MT3/84536	
560877	Gasket, rubber, for glass.....	1	†MT3/84537	
117541	Screw, frame fixing.....	4	†MT5/26150	
165050	Nut, frame fixing screw.....	4	†MT5/15944	
188366	Washer, frame fixing.....	4	†MT5/13715	
161374	Washer, fibre, for frame fixing screw.....	4	Local manufacture	
561249	Window, opal, Difusa, pilot bulb.....	1	Not Serviced	
561254	Window, clear, pilot bulb.....	1	Not Serviced	
561235	Mask, perforated, pilot bulb.....	1	Not Serviced	
561248	Frame, retaining pilot bulb window.....	1	Not Serviced	
561155	Gasket, rubber, pilot bulb window frame.....	1	Not Serviced	
117743	Screw, fixing pilot bulb window frame.....	3	Not Serviced	
161374	Washer, fibre, pilot bulb window screw.....	3	Not Serviced	
588366	Washer, lock, pilot frame window screw.....	3	Not Serviced	
165080	Nut, pilot bulb window frame screw.....	3	Not Serviced	
308230	Panel assembly, complete, <i>early</i>	1	†MT3/LU/308230	
308291	Plate, only, panel, <i>early</i>	1	†MT3/LU/308291	
30902-A	Plate, only, panel, <i>late</i>	1	†MT3/LU/30902	
106789	Screw, fixing panel plate to head lamp.....	3	†22/ZB12274	
185026	Washer, lock, panel plate screw.....	3	†MT3/49945	
364461	Ammeter, <i>early</i>	1	†MT3/LU/364461	
	Glass, ammeter, <i>early</i>	1	†MT3/5843	
364010	Ring, rubber, ammeter, <i>early</i>	1	†MT3/LU/NB2404/24	
70	Bulb, electric, 6/7 volt, 24/24 watt, S.B.C.....	1	MT3/12534	
200	Bulb, electric, 6/7 volt, 3 watt, S.B.C.....	1	MT3/47174	

For the main lighting and change-over switches see SWITCHES below.

SWITCHES. (See Inside Front Cover).

351541	Switch, main lighting, fits in top of head lamp, <i>early</i>	1	†MT3/LU/351590	
31023-A	Switch, main lighting, fits below saddle, <i>late</i>	1	†MT4/LU/31023	
NB2404/24	Ring, rubber, for switch.....	1	†MT3/LU/NB2404/24	
308234	Spring, switch fixing.....	1	†MT3/LU/308234	
351629	Cover, terminals, <i>late</i>	1	†MT3/LU/351629	
SK-49	Handle, C/W screw, for switch.....	1	†MT3/LU/351629	
120514	Screw, grub, for switch terminals.....	6	†MT3/LU/120514	
351643	Plate, support, for switch, <i>late</i>	1	Not Serviced	
165043	Nut, for switch support plate stud, <i>late</i>	3	Not Serviced	
131410	Washer, plain, for switch support plate stud, <i>late</i>	3	Not Serviced	
185022	Washer, spring, for switch support plate stud, <i>late</i>	1	Not Serviced	
W41-G3L-F398	Bracket, for switch support plate, <i>late</i>	2		3
STD-450	Screw, fixing switch support plate to bracket, <i>late</i>	2		1
STD-80	Nut, for support plate to bracket screw, <i>late</i>	2		1
31024-A	Switch, change-over, complete, for head lamp panel, <i>late</i>	1	†MT4/LU/314542	

For the bolt (with its washer and nut) that retains the switch support plate bracket to the rear frame stay, see " Bolt, fixing saddle spring bracket, right side ", in the SADDLE GROUP, page 20.

ALL PRICES, EXCEPT THOSE MARKED *, ARE SUBJECT TO 10% INCREASE.

†STORES DEPOT ISSUE ONLY.

Part Number.	Description.	Qty.	M.T. or Proprietary Part No.	Price Each.
ELECTRICAL SUNDRIES.				
	Cable, I. T. wiring.....	Q	†MT4/19167	
	Cable, H.T.....	Q	†MT4/7930	
	Resistor.....	1	†MT4/21387	
	Connector (immobilizer).....	1	†MT4/18869	
	Plug, sparking.....	1	†MT4/29943	
	Horn.....	1	†MT3/4562	
	Switch, horn (push type).....	1	†MT4/13917	

HORN FIXING BOLT.

STD-402	Bolt, fixing horn to plate on frame.....	1		4
STD-10	Washer, plain, horn fixing bolt.....	1	MT5/9729	1
STD-3	Nut, for horn fixing bolt.....	1		2

BATTERY CARRIER.

W36-G3-E185	Carrier, battery, complete.....	1		8 6
W36-G3-E181-A	Carrier, battery, back portion only, bare.....	1	Not Serviced	4 0
W39-G3-E182	Carrier, battery, front portion only, bare.....	1	Not Serviced	3 4
XE-184	Pin, hinge, for battery carrier front.....	1		2
AE-180	Bolt, clamping, battery carrier.....	1		4
AE-178	Seat, for battery carrier clamping bolt.....	1		3
AE-177	Nut, for battery carrier clamping bolt.....	1		5
STD-4	Nut, fixing battery carrier (and oil tank) to main frame.....	2		2
STD-174	Washer, plain, for battery carrier (and oil tank) fixing nut.....	2		1
DE-181-B	Stay, from battery carrier to chaincase.....	1		6
STD-40	Screw, fixing stay to battery carrier.....	1		1
STD-12	Washer, plain, for battery carrier stay screw.....	1	MT5/9727	1

ALL PRICES, EXCEPT THOSE MARKED *, ARE SUBJECT TO 10% INCREASE.

†STORES DEPOT ISSUE ONLY.

ACCESSORY SECTION.

Part Number.	Description.	Qty.	M.T. or Proprietary Part No.	Price Each.
SPEEDOMETER.				
S-433-M	Head, only, speedometer, non-trip.....	1	MT1/SM/433-M-EX	1 7 6*
N-1253	Nut, fixing speedometer head to bracket.....	2	MT5/15915	2*
W-7216	Washer, for speedometer head fixing nut.....	2	MT5/49947	0*
53395-1-54	Cable, complete, speedometer driving, 54 in. long.....	1	MT1/SM/53395/54	16 6*
52108-54	Cable, inner, only, for speedometer drive.....	1	MT1/SM/53398/54	8 3*
53398-1-54	Cable, outer, only, for speedometer drive, 54 in. long.....	1	Not Serviced	8 3*
W41-G31-F311	Clip, for speedometer outer cable.....	1		2
STD-450	Screw, for speedometer outer cable clip.....	1	MT5/34358	1
STD-190	Washer, spring, for speedometer outer cable clip screw.....	1	MT5/49946	1
32283-2	Gear box, speedometer, complete.....	1		1 5 0*
40-G12M-FF78	Bracket, for speedometer head.....	1		6
STD-342	Bolt, fixing speedometer head bracket to forks.....	2		2
STD-12	Washer, plain, speedometer head bracket bolt.....	2	MT5/9727	1

TOOLS.

17520	Bag, for tools.....	1	MT2/6704	2 6
LTK-13	Screwdriver.....	1	MT2/5249	1 6
LTK-15	Pliers.....	1	MT2/12153	1 6
LTK-20	Gun, grease.....	1	MT1/TT/Type 7MC	4 0
38-G3-EQ2	Inflator, tyre.....	1	MT2/31286	3 9
W40-G3-TK29	Spanner, double end, 3/4 in. by 1/2 in.....	2	MT2/3969 & 3972	1 6
W41-G3L-TK1	Spanner, double end, 3/4 in. by 1/2 in.....	1	MT2/3972 & 3976	2 3
W41-G3L-TK2	Spanner, triple end, 3/8 in. by 1/4 in. by 1/2 in.....	1		1 0
RTK-3	Spanner, box, sparking plug (with tommy bar).....	1		1 0
17634	Bar, tommy, for sparking plug spanner.....	1	MT2/44930	2 6
17634-T	Spanner, for dynamo chain adjustment.....	1		1 0
RTK-1	Spanner, for hub lock nut (interchanges with 11717).....	1		1 0
11914-S	Spanner, for contact breaker points.....	1	MT2/50750	1
LTK-5	Wrench, adjustable.....	1	MT2/10994	4

TOOL BOX.

W40-G3-F45-T	Box, tool, bare.....	1		12 6
37-8-F53	Screw, knurled, for tool box lid.....	1		1 0
STD-189	Washer, spring, for tool box lid screw.....	1	MT5/9649	1
STD-5	Nut, for tool box lid screw.....	2		3
STD-346	Bolt, front, fixing tool box to seat stay.....	1		3
STD-346	Bolt, rear, fixing tool box to seat stay.....	1		3
RC-28	Spacer, for tool box seat stay bolt.....	2		1
STD-12	Washer, plain, for tool box seat stay bolt.....	2	MT5/9727	1
STD-5	Nut, for tool box seat stay bolt.....	2		2
W40-G3-F158	Stay, for tool box.....	1		2 6
STD-361	Bolt, fixing stay to tool box.....	1		3
STD-11	Washer, plain, for tool box stay bolt.....	1	MT5/15348	1
STD-4	Nut, for tool box stay bolt.....	1		1

For the bolt fixing the tool box stay to the mudguard stay, see " Bolt, fixing guard to front of stay, right " in " REAR MUDGUARD, " page 18.

CABLE CLIPS.

STD-524-A	Clip, cable, pliable strip, 7 inches long. (May be used in place of STD-523 and STD-524).....	4	MT4/24496	2
STD-525	Clip, cable, pliable strip, 3 1/2 inches long. (May be used in place of STD-520 and STD-522).....	7		

The Cable Clips are used to retain the Control and Electric Lighting cables.

ALL PRICES, EXCEPT THOSE MARKED *, ARE SUBJECT TO 10% INCREASE.

Part Number.	Description.	Qty.	M.T. or Proprietary Part No.	Price Each.
EQUIPMENT.				
167-5	Extractor, chain rivet.....	1	MT2/2217	4 6*
110056-8207	Spares, chain, box of.....	1	MT11/23034	2 3*
W40-G3-TK24	Outfit, tyre repair.....	1	MT6/16287	1 6*
W40-G3-TK25	Strap, webbing.....	2	MT1/13845	1 9*
W40-G3-TK28	Tape, insulating.....	1	MT1/2250	9*
W40-G3-TK30	Gauge, tyre pressure.....	1		—
W40-G3-TK42	Wire, copper (15 ft. by 20 S.W.G.).....	1 lb.	(VAOS) GB-1812	2

Each box of chain spares includes:—
2 single connecting chain links.
1 chain inner link.
1 double cranked chain link.
3 spring clip fasteners.

PANNIER BAGS.

W41-G3L-EQ26-L/R	Frame, carrying pannier bag.....	2	MT13/21259	19 9*
STD-343	Bolt, fixing pannier frame to rear carrier.....	4		2
STD-633	Spacer, for pannier frame fixing bolt.....	4		2
STD-12	Washer, plain, for pannier frame fixing bolt.....	4	MT5/9727	2
STD-5	Nut, for pannier frame fixing bolt.....	4		2
W41-G3L-F250-L	Bracket (long), for bottom of left pannier frame.....	1		6*
W41-G3L-F250-R	Bracket (short), for bottom of right pannier frame.....	1		6*
STD-70	Bolt, fixing pannier frame bracket to motor-cycle frame.....	2		2
STD-191	Washer, spring, pannier bracket to frame bolt.....	2	MT5/49947	1
STD-5	Nut, pannier bracket to frame bolt.....	2		1
STD-70	Bolt, fixing bracket to pannier frame.....	2		1
STD-191	Washer, spring, bracket to pannier frame bolt.....	2	MT5/49947	1
STD-5	Nut, bracket to pannier frame bolt.....	2		1
W41-G3L-F423	Stay, connecting pannier bag frames.....	1		1 0*
STD-70	Bolt, fixing stay to pannier frames.....	1		2
STD-5	Nut, stay to pannier frame bolts.....	4		2
W41-G3L-EQ7-L	Bag, pannier (plain strap).....	1	MT13/21257	1 5 0*
W41-G3L-EQ7-R	Bag, pannier (slide strap).....	1	MT13/21246	1 5 0*
W41-G3L-EQ7-S-S	Strap (Y), short, with buckle (webbing).....	1	MT13/21272	1 9*
W41-G3L-EQ7-S-L	Strap (Y), long, plain (webbing).....	1	MT13/21263	1 9*

AIR CLEANER.

G3L-EQ16-ASS	Cleaner, air, complete with all attachment fittings.....	1		5 3 2*
G3L-EQ16	Cleaner, air, complete but less all attachment fittings.....	1	MT12/NC/11783	3 10 0*

AIR CLEANER COMPONENTS.

C-7277-F	Case, air cleaner, bare.....	1	MT12/NC/10765	2 4 6*
A-7230	Plate, perforated, for air cleaner case.....	5	MT12/NC/10772	6 0*
A-7235	Tube, felt, for air cleaner.....	10	MT12/NC/13018	1 0
A-7234	Clip, spring, retaining air cleaner felt tubes.....	10	MT12/NC/10737	4*
A-7231	Bar, tension, for air cleaner tubes.....	1	MT12/NC/12917	3 9*
A-7232	Spring, air cleaner tension bar.....	1	MT12/NC/10770	3*
A-7232-P	Pin, split, retaining air cleaner tension bar spring.....	1	MT1/5049	1*
A-7233	Pad, air cleaner case base.....	3	MT12/NC/10769	4*

AIR CLEANER ATTACHMENT FITTINGS.

Petrol tanks of two shapes are used. The essential difference is the contour of the tank top. One shape of tank requires a thin base block and this measures 15/32 in. in the centre of its front thickness, while the second shape of tank requires a thick base block that measures 1/2 in. in the centre of its front thickness.

41-G3L-EQ34-M	Base block, thin, for air cleaner base.....	1	Not Serviced	8
41-G3L-EQ34-H	Base block, thick, for air cleaner base.....	1	Not Serviced	8
A-15377	Bracket, eye, for air cleaner side fixing strap.....	2	MT12/NC/12889	1 0*
A-15378	Pin, for air cleaner side fixing strap.....	2	MT12/NC/12894	6*
STD-70	Bolt, fixing side bracket to air cleaner case.....	4	MT5/9974	2
STD-12	Washer, plain, for air cleaner side bracket fixing bolt.....	4	MT5/9727	1
41-G3L-EQ35	Strap, side fixing, securing air cleaner case to petrol tank.....	2		4 3*
STD-5	Nut, for air cleaner case side fixing strap.....	2		2
STD-5	Nut, lock, for air cleaner case side fixing strap.....	2		2
41-G3L-EQ36	Strap, front support, securing air cleaner case to front of petrol tank.....	1		11 8*
41-G3L-EQ18	Pipe, intake, air cleaner to carburettor.....	1		5*
41-G3L-EQ33	Sleeve, rubber, air cleaner intake pipe.....	3		0*
20490	Clip (large), retaining air cleaner intake pipe to cleaner case.....	1		2 8*
G3L-EQ32	Clip (small), retaining air cleaner intake pipe to carburettor.....	1		2 10*
STD-363	Bolt, clamping, air cleaner intake pipe clips.....	2		3
STD-11	Washer, plain, air cleaner intake pipe clip clamping bolt.....	2	MT5/15348	1
STD-4	Nut, air cleaner intake pipe clip clamping bolts.....	2		2

ALL PRICES, EXCEPT THOSE MARKED *, ARE SUBJECT TO 10% INCREASE.

INDEX (DETAILED)

	Page		Page
Arm, rocker	6	Chains	10
Axle, flywheel	2	Chaincase, front	20
Axle, rocker	6	Chainguard, rear	20
Bag, pannier	37	Chamber, float	8
Barrel, cylinder	2	Circlip, fork	16
Battery	35	Circlip, gudgeon pin... ..	2
Bearings, crankcase	4	Cleaner, air	37
Bearings, gear box	12	Clips, control cable	36
Bearings, front wheel	28	Clutch	14
Bearings, rear wheel	28	Components, air cleaner	37
Body, mixing	8	Control, air	22
Bolts, crankcase	4	Control, brake	22
Bolts, gear box	12	Control, clutch	22
Bolts, rear lamp, fixing	33	Control, exhaust	22
Box, rocker	6	Control, ignition	22
Box, tool	36	Control, throttle	22
Brackets, head lamp	33	Control, gear	14
Brake, front	30	Cover, magneto chain case	4
Brake, rear	30	Cover, timing gear	4
Bush, camshaft	4	Crankcase	4
Bush, crankcase	4	Damper, fork... ..	16
Bush, gudgeon	2	Dynamo, Lucas	35
Cable, control, air	24	Engine	2
Cable, control, brake	24	Equipment	37
Cable, control, clutch	24	Fittings, air cleaner	37
Cable, control, exhaust	24	Fittings, control lever	22
Cable, control, ignition	24	Fittings, dynamo	32
Cable, control, throttle	24	Fittings, exhaust pipe	6
Carburetter	8	Fittings, gear box	12
Carrier, battery	35	Fittings, oil pipes	26
Carrier, pannier bag	37	Fittings, petrol pipes	26
Carrier, rear	20	Fittings, petrol tank... ..	26
		Fittings, silencer	6
		Flywheel	2
		Fork, front (components)	16
		Fork, front (assemblies)	18
		Frame	16

(Continued on page 39)

INDEX (DETAILED)—CONTD.

	Page		Page
Gasket, head	2	Regulator	35
Gasket, rocker box	6	Rests, foot, pillion	20
Gear, timing	4	Rests, foot, rider's	20
Gear box	10	Rod, connecting	2
Gears	12	Rod, push, engine	6
Grip, dummy	22	Rollers, crankpin	2
Grip, twist	22	Saddle	20
Guide, tappet	4	Seat, pillion	20
Guide, valve	2	Shaft, gear box	12
Handlebar	18 & 22	Shell, gear box	10
Head, cylinder	2	Silencer	6
Horn	35	Speedometer	36
Jet, carburetter	8	Spring, front fork	16
Kick-starter	14	Spring, valve	2
Lamp, head	54	Spring, clutch	14
Lamp, rear	35	Sprocket, clutch	10
Lever, exhaust lift	6	Sprocket, dynamo	10
Liner, big-end	2	Sprocket, engine	10
Literature, relative	1	Sprocket, gear box	10
Magneto	32	Sprocket, magneto	10
Mudguard, front	18	Sprocket, wheel, rear	10
Mudguard, rear	18	Stand, front	18
Notes, modifications—Inside front cover		Stand, prop	18
Numbers, contract	1	Stand, rear	18
Numbers, engine	1	Sundries, electrical	35
Numbers, frame	1	Switches	34
Operating parts, brake, rear	30	Tank, oil	26
Operating parts, clutch	14	Tank, petrol	26
Operating parts, gear box	12	Tappets	4
Pin, gudgeon	2	Tools	36
Pipe, exhaust	6	Transfers, name	20
Pipes, oil	26	Tube, push rod cover	6
Pipe, petrol	26	Valve, carburetter	8
Piston	2	Valve, engine	2
Plate, compression	2	Valve, release... ..	4
Plunger, oil pump	4	Wheel, front	28
Pump, oil	4	Wheel, rear	28

INDEX (SECTIONS)

	PAGE
ACCESSORY SECTION	36
CARBURETTER SECTION	8
CONTROL CABLE SECTION	24
CONTROL LEVER SECTION	22
ELECTRICAL SECTION	32
ENGINE SECTION	2
EXHAUST PIPE AND SILENCER SECTION	6
FRAME SECTION. (INCLUDING FORK)	16
TANK SECTION	26
TRANSMISSION SECTION	10
WHEEL AND BRAKE SECTION	28

ILLUSTRATIONS

	PAGE
BRAKES	31
CARBURETTER	9
CHAINCASES, SADDLE AND PILLION SEAT	21
CLUTCH AND KICK-STARTER	15
CONTROL CABLES.	25
CONTROL LEVERS	23
ENGINE. FLYWHEELS, CYLINDER, HEAD AND PISTON	3
ENGINE. CRANKCASE, TIMING GEAR AND OIL PUMP	5
ENGINE. ROCKER BOX, EXHAUST PIPE AND SILENCER	7
FRAME AND FORK	17
GEARS	13
MUDGUARDS AND STANDS	19
TANKS, PETROL AND OIL PIPES	27
TRANSMISSION	11
WHEELS	29

See pages 38 and 39 for Detailed Index