

**AMC ENGINE & GEARBOX MOUNTING FASTENERS & SPACERS
ROAD SINGLE CYLINDER MODELS**

1946

AJS 350

STUDS: diameter x length overall

BOLTS: diameter x length, under head to end

SPACERS: inside diameter x length

STUD 5/16 X 3-3/8

STUD 5/16 X 6-9/32

SPACERS(2) 5/16 X 1/2

SPACER 5/16 X 1

STUD 3/8 X 6-3/8

SPACER 3/8 X 1-13/16

STUD 5/16 X 4-9/16

SPACERS(2) 5/16 X 1/2

STUD 5/16 X 3-3/16

STUD 5/16 X 5-13/16

SPACERS(2) 5/16 X 1/2

STUD 1/4 X 4-5/8

FOOTBAR 40-G2M-FR8

SPACER X 2-1/2

STUD 3/8 X 3-11/16

STUD 7/16 X 4-11/16

SPACER

STUD 5/16 X 3-3/8

STUD 7/16 X 6-7/8

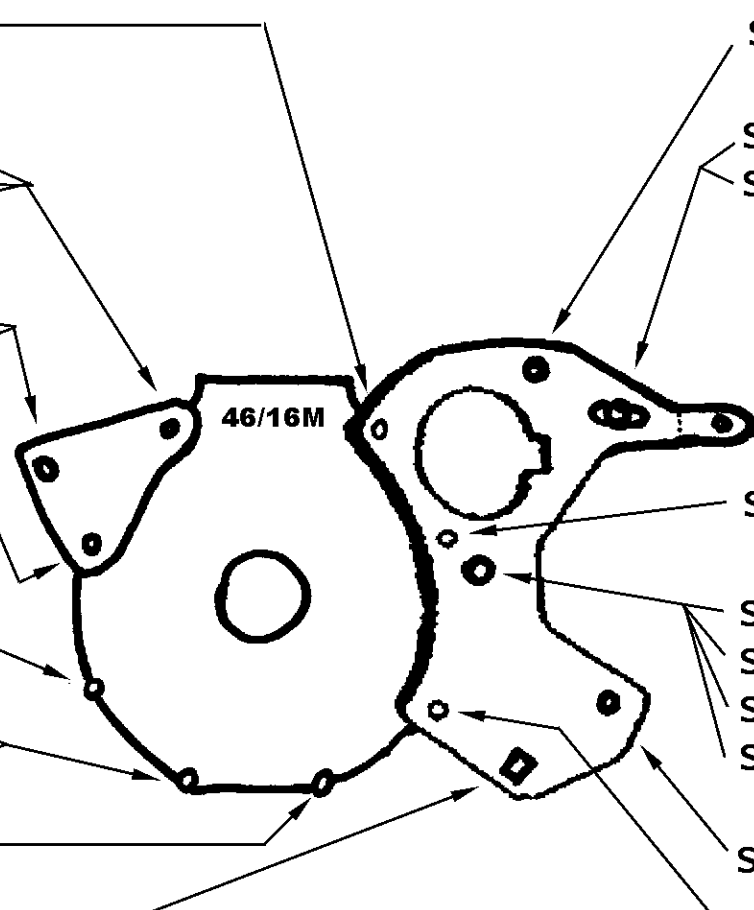
SPACER 7/16 X 2-1/2

SPACER 7/16 X 1-61/64

SPACER 7/16 X 7/8

STUD 7/16 X 3-11/16

STUD 5/16 X 4-3/8



1946

AJS 500

STUDS: diameter x length overall

BOLTS: diameter x length, under head to end

SPACERS: inside diameter x length

STUD 5/16 X 4-9/16

STUD 5/16 X 6-9/32

SPACER 5/16 X 1

STUD 3/8 X 4-1/2

SPACER 3/8 X 1-13/16

STUD 5/16 X 4-9/16

STUD 5/16 X 4-3/8

STUD 5/16 X 6

STUD 1/4 X 4-5/8

FOOTBAR 010913

SPACER X 3-1/2

SPACERS(2) X 13/16

STUD 3/8 X 4-1/2

SPACERS(2) 011231

STUD 7/16 X 5-3/16

SPACERS(2) 7/16 X 1/2

SPACER

STUD 5/16 X 3-3/8

STUD 7/16 X 7-7/16

SPACER 7/16 X 3-1/2

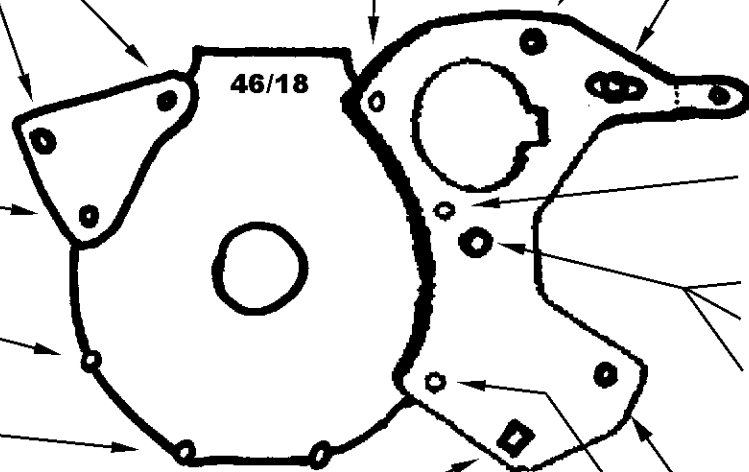
SPACER 7/16 X 1-13/32

SPACER 7/16 X 7/8

STUD 7/16 X 4-11/16

SPACERS(2) 7/16 X 1/2

BOLT 5/16 X 4-3/8



1948 MATCHLESS 350 before eng.no.8000

STUDS: diameter x length overall

BOLTS: diameter x length, under head to end

SPACERS: inside diameter x length

STUD 5/16 X

STUD 5/16 X 4-9/16

SPACERS(2) 5/16 X 1/2

STUD 3/8 X 4-1/2

STUD 5/16 X 4-9/16

SPACERS(2) 5/16 X 1/2

STUD 5/16 X

STUD 5/16 X 5-13/16

SPACERS(2) 5/16 X 1/2

STUD 1/4 X 4-5/8

FOOTBAR 010913

SPACER X 2-1/2 (V2-FR6)

SPACERS(2) 011863

STUD 3/8 X 3-11/16

STUD 7/16 X 4-11/16

SPACER 7/16 X 5/16

STUD 5/16 X

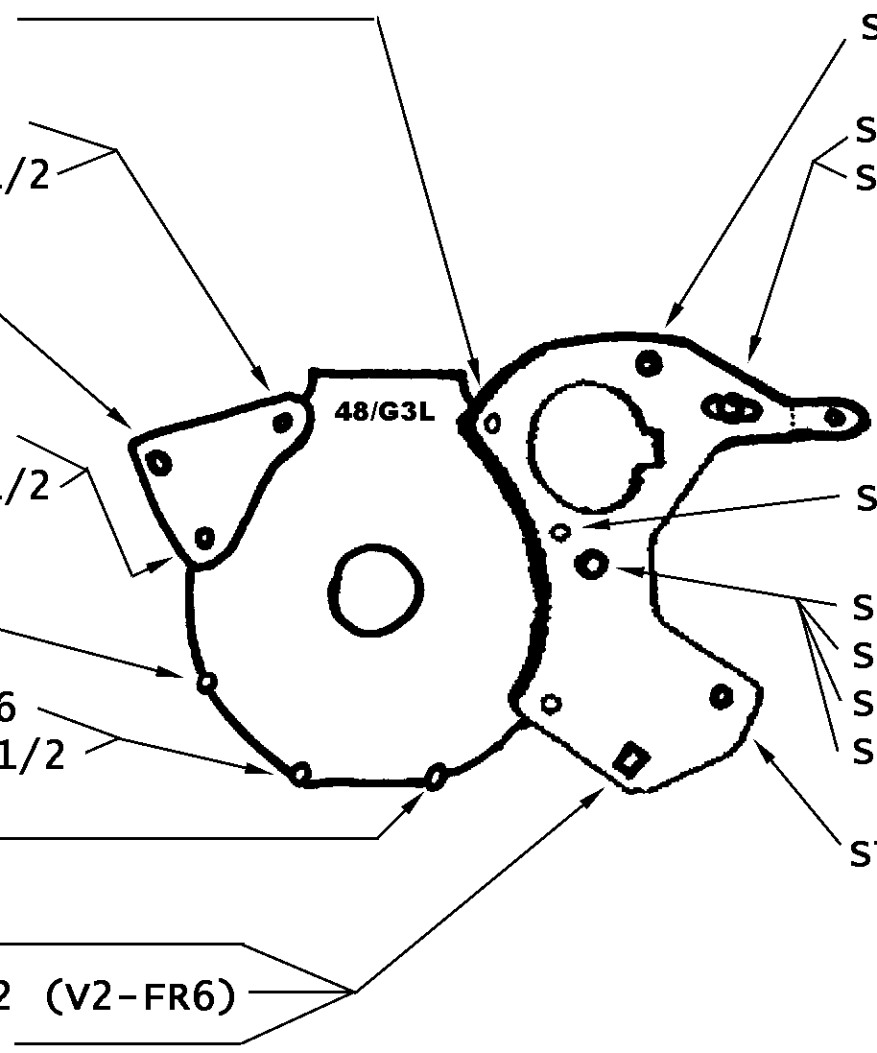
STUD 7/16 X 6-7/8

SPACER 7/16 X 2-1/2

SPACER 7/16 X 1-61/64

SPACER 7/16 X 7/8

STUD 7/16 X 3-11/16



1948 MATCHLESS 350

after eng.no.8000

STUDS: diameter x length overall

BOLTS: diameter x length, under head to end

SPACERS: inside diameter x length

STUD 5/16 X 4-9/16

STUD 5/16 X 4-9/16

STUD 3/8 X 4-1/2

STUD 5/16 X 4-9/16

STUD 5/16 X 4-3/8

STUD 5/16 X 6

STUD 1/4 X 4-5/8

FOOTBAR 010913

SPACER X 3-1/2

SPACERS(2) X 13/16

STUD 3/8 X 4-7/8
SPACERS(2) 011231

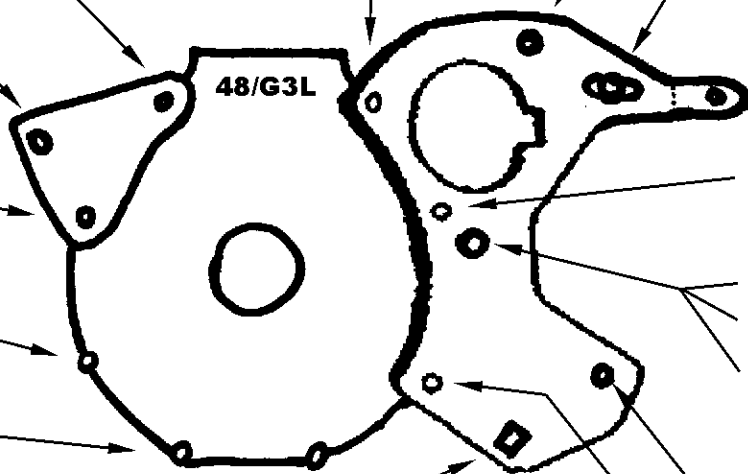
STUD 7/16 X 5-3/16
SPACERS(2) 7/16 X 1/2
SPACER 7/16 X 5/16

STUD 5/16 X

STUD 7/16 X 7-7/16
SPACER 7/16 X 1-13/32
SPACER 7/16 X 7/8

STUD 7/16 X 4-11/16
SPACERS(2) 7/16 X 1/2

BOLT 5/16 X 4-3/8



1948 MATCHLESS 500

STUDS: diameter x length overall

BOLTS: diameter x length, under head to end

SPACERS: inside diameter x length

STUD 5/16 X 4-9/16

STUD 5/16 X 4-9/16

STUD 3/8 X 4-1/2

STUD 5/16 X 4-9/16

STUD 5/16 X 4-3/8

STUD 5/16 X 6

STUD 1/4 X 4-5/8

FOOTBAR 010913

SPACER X 3-1/2

SPACERS(2) X 13/16

STUD 3/8 X 4-7/8
SPACERS(2) 011231

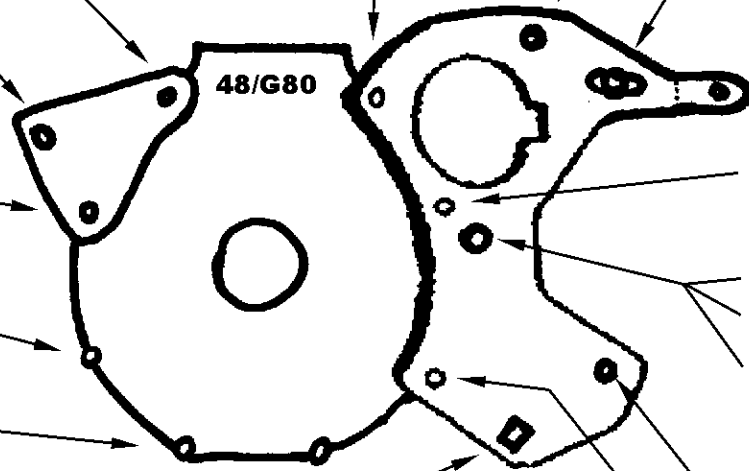
STUD 7/16 X 5-3/16
SPACERS(2) 7/16 X 1/2
SPACER 7/16 X 5/16

STUD 5/16 X

STUD 7/16 X 7-7/16
SPACER 7/16 X 1-13/32
SPACER 7/16 X 7/8

STUD 7/16 X 4-11/16
SPACERS(2) 7/16 X 1/2

BOLT 5/16 X 4-3/8



1950

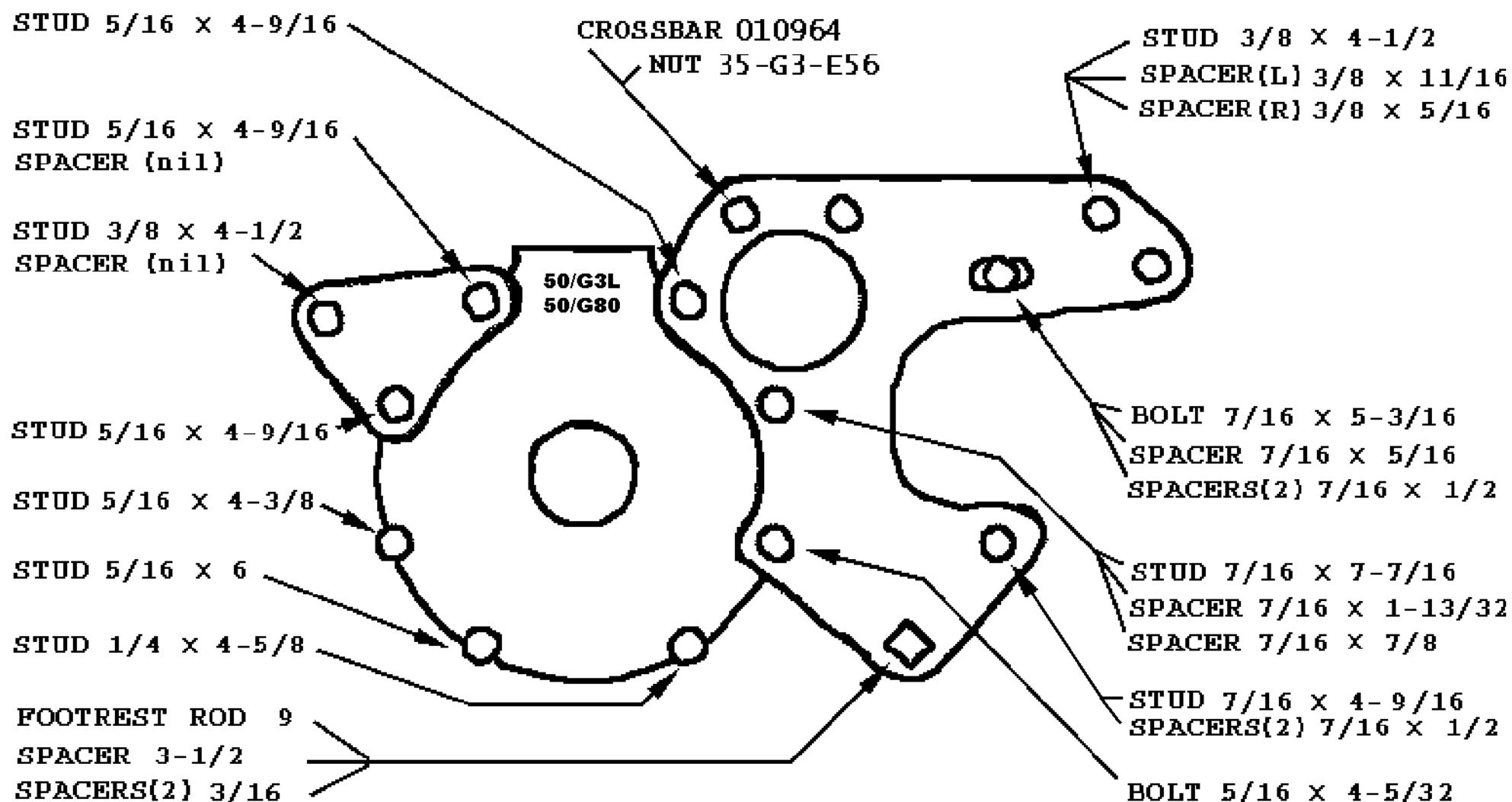
MATCHLESS

RIGID FRAME

STUDS: diameter x length overall

BOLTS: diameter x length, under head to end

SPACERS: inside diameter x length



1950

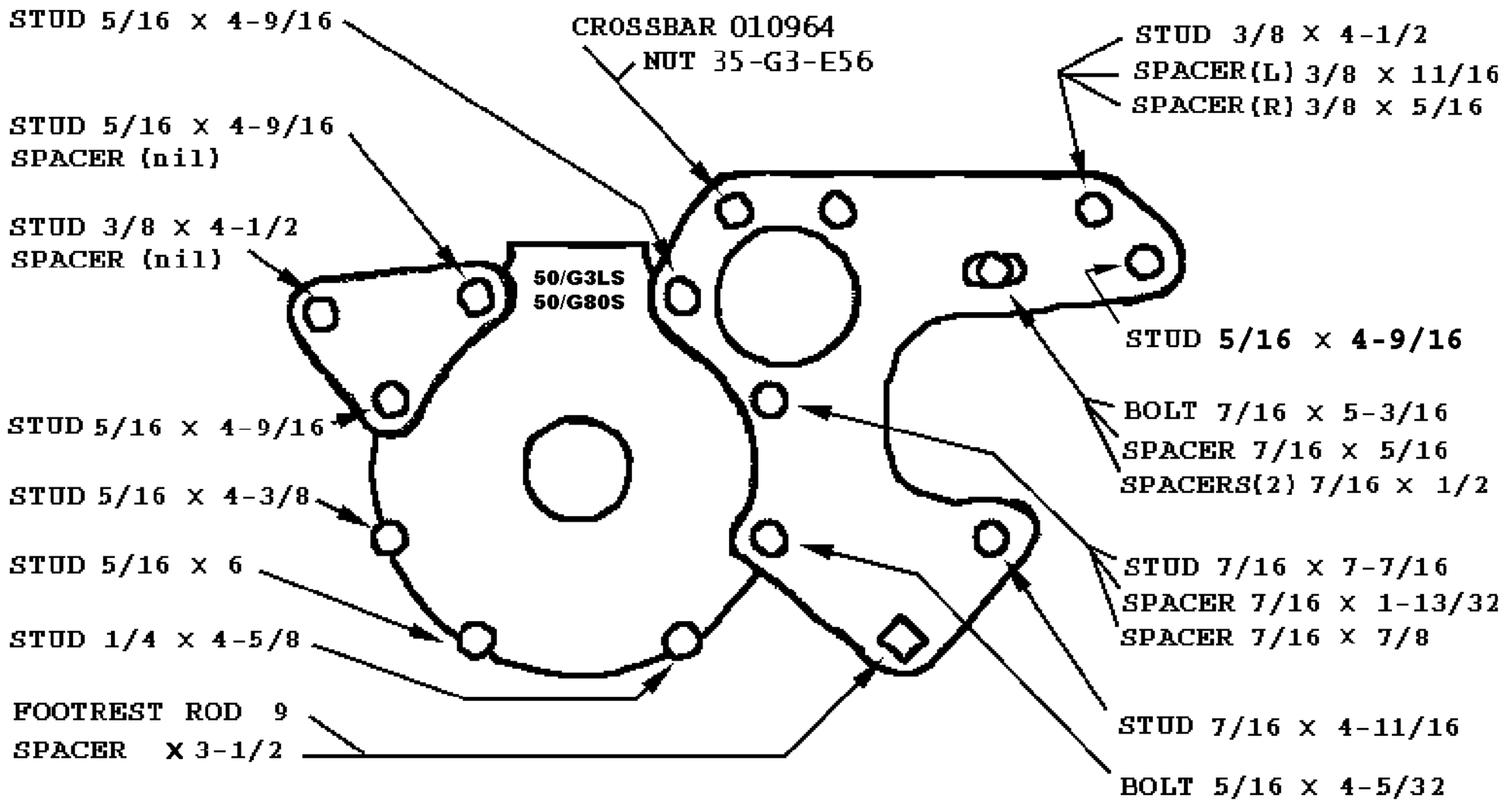
MATCHLESS

SPRING FRAME

STUDS: diameter x length overall

BOLTS: diameter x length, under head to end

SPACERS: inside diameter x length



1951

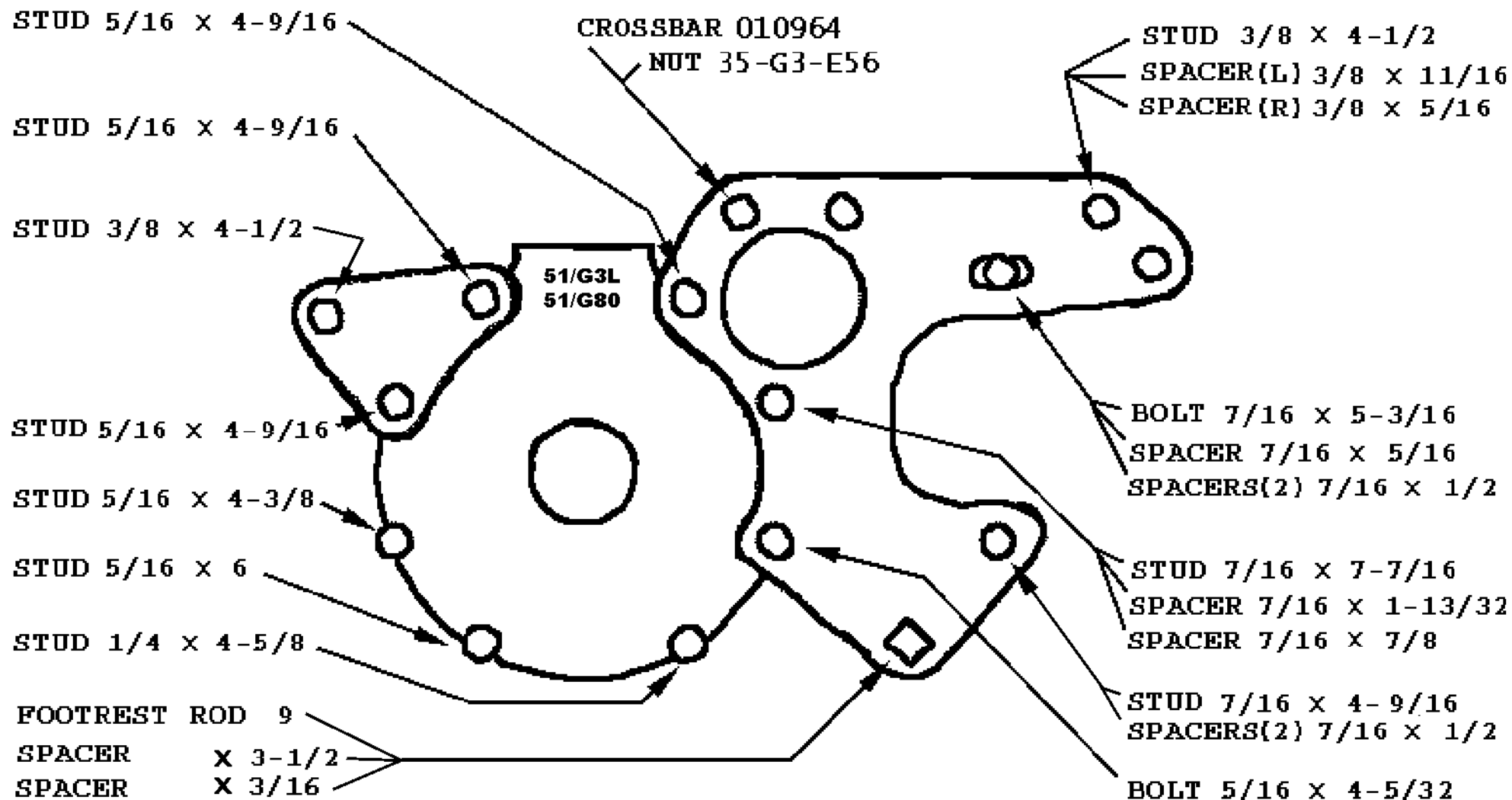
MATCHLESS

RIGID FRAME

STUDS: diameter x length overall

BOLTS: diameter x length, under head to end

SPACERS: inside diameter x length



1951

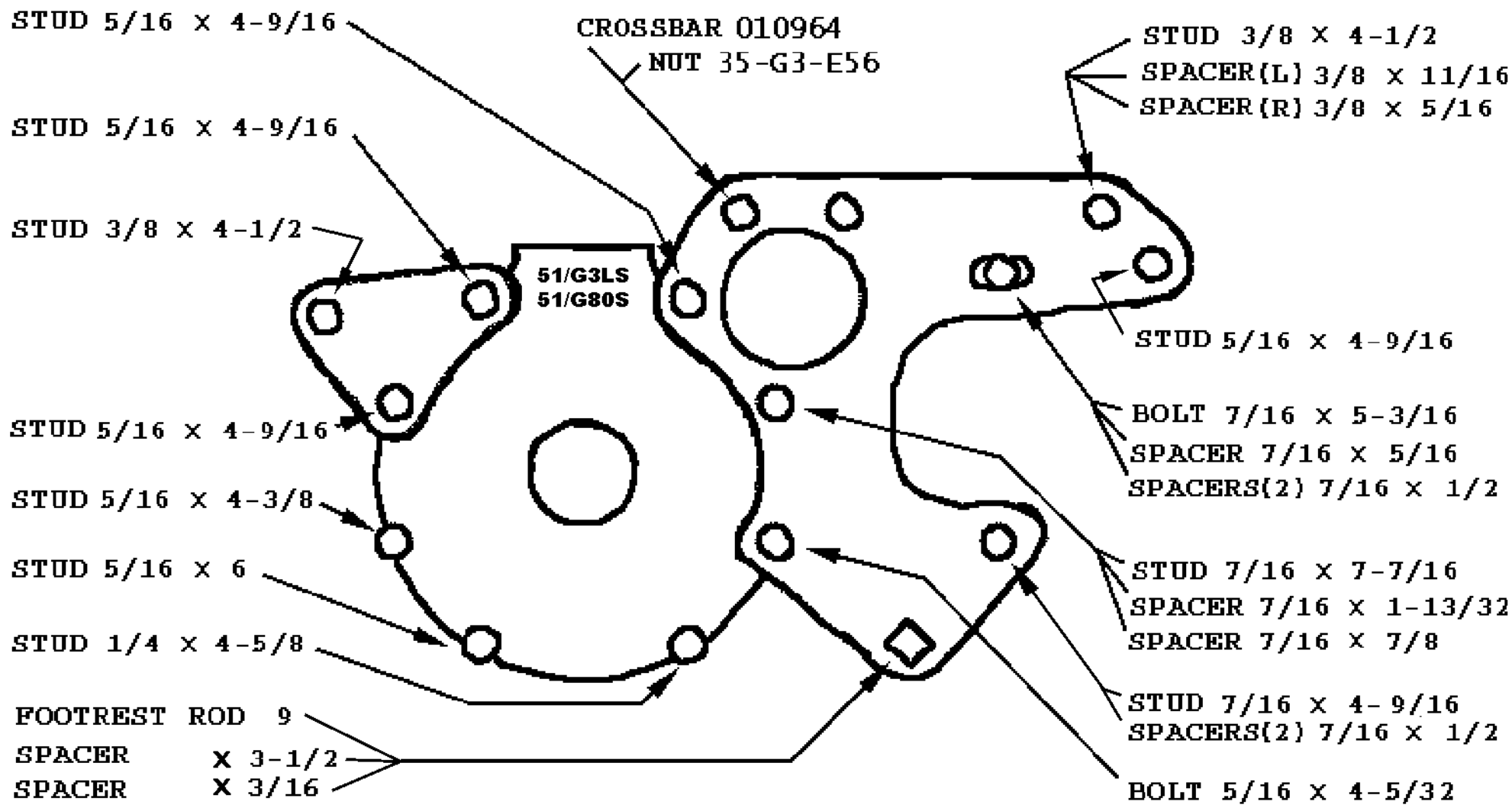
MATCHLESS

SPRING FRAME

STUDS: diameter x length overall

BOLTS: diameter x length, under head to end

SPACERS: inside diameter x length



1952

AJS & MATCHLESS

RIGID FRAME

STUDS: diameter x length overall

BOLTS: diameter x length, under head to end

SPACERS: inside diameter x length

STUD 5/16 x 4-9/16

STUD 5/16 x 6-9/32

SPACER 5/16 x 1-9/16

STUD 3/8 x 6-3/8

SPACER 3/8 x 1-9/16

STUD 5/16 x 4-9/16

STUD 5/16 x 4-3/8

STUD 5/16 x 6

STUD 1/4 x 4-5/8

FOOTREST ROD 9

SPACER x 3-1/2

SPACERS (2) x 3/16

52/16M
52/18
52/G3L
52/G80

STUD 3/8 x 4-1/2

SPACER(L) 3/8 x 11/16

SPACER(R) 3/8 x 5/16

BOLT 7/16 x 5-3/16

SPACER 7/16 x 5/16

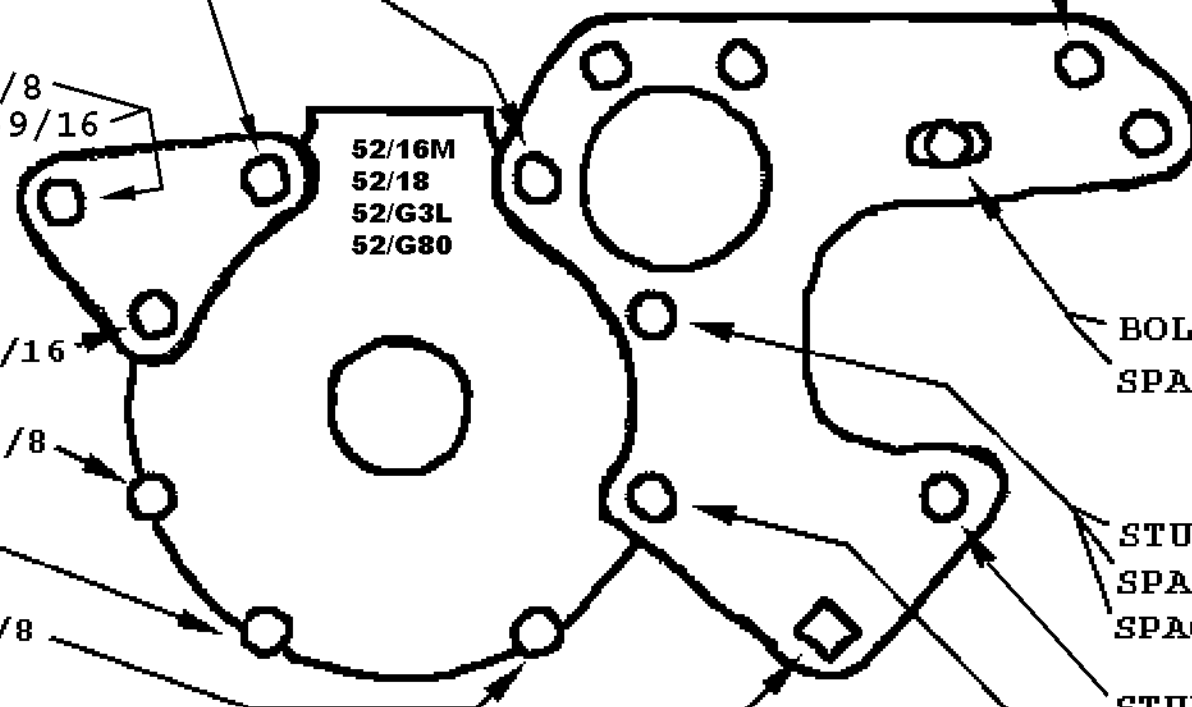
STUD 7/16 x 7-7/16

SPACER 7/16 x 1-13/32

SPACER 7/16 x 7/8

STUD 7/16 x 4-9/16

BOLT 5/16 x 4-5/32



1952

AJS & MATCHLESS

SPRING FRAME

STUDS: diameter x length overall

BOLTS: diameter x length, under head to end

SPACERS: inside diameter x length

STUD 5/16 x 4-9/16

STUD 5/16 x 6-9/32

SPACER 5/16 x 1-9/16

STUD 3/8 x 6-3/8

SPACER 3/8 x 1-9/16

52/16MS
52/18S
52/G3LS
52/G80S

STUD 3/8 x 4-1/2

STUD 5/16 x 4-9/16

STUD 5/16 x 4-9/16

BOLT 7/16 x 5-3/16

SPACER 7/16 x 5/16

STUD 5/16 x 4-3/8

STUD 7/16 x 7-7/16

SPACER 7/16 x 1-13/32

SPACER 7/16 x 7/8

STUD 5/16 x 6

STUD 1/4 x 4-5/8

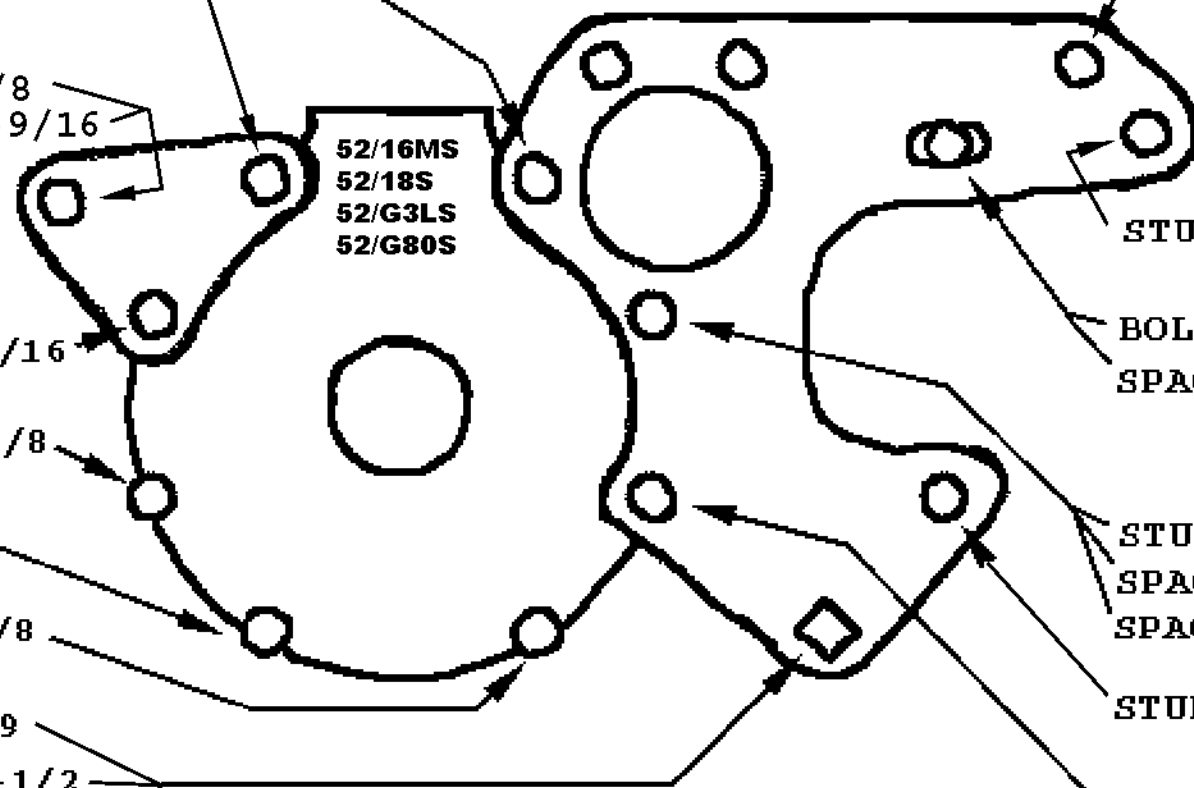
STUD 7/16 x 4-9/16

FOOTREST ROD 9

SPACER x 3-1/2

SPACERS (2) x 3/16

BOLT 5/16 x 4-5/32



1953

AJS & MATCHLESS

RIGID FRAME

STUDS: diameter x length overall

BOLTS: diameter x length, under head to end

SPACERS: inside diameter x length

STUD 5/16 x 4-9/16

<INCOMPLETE>

STUD 3/8 x 4-1/2

STUD 5/16 x 6-9/32

SPACER(L) 3/8 x 11/16

SPACER 5/16 x 1-9/16

SPACER(R) 3/8 x 5/16

STUD 3/8 x 6-3/8

SPACER 3/8 x 1-9/16

53/16M
53/18
53/G3L
53/G80

STUD 5/16 x 4-9/16

BOLT 7/16 x 5-3/16

SPACER 7/16 x 5/16

STUD 5/16 x 4-3/8

STUD 5/16 x 6

STUD
SPACER

STUD 1/4 x 4-5/8

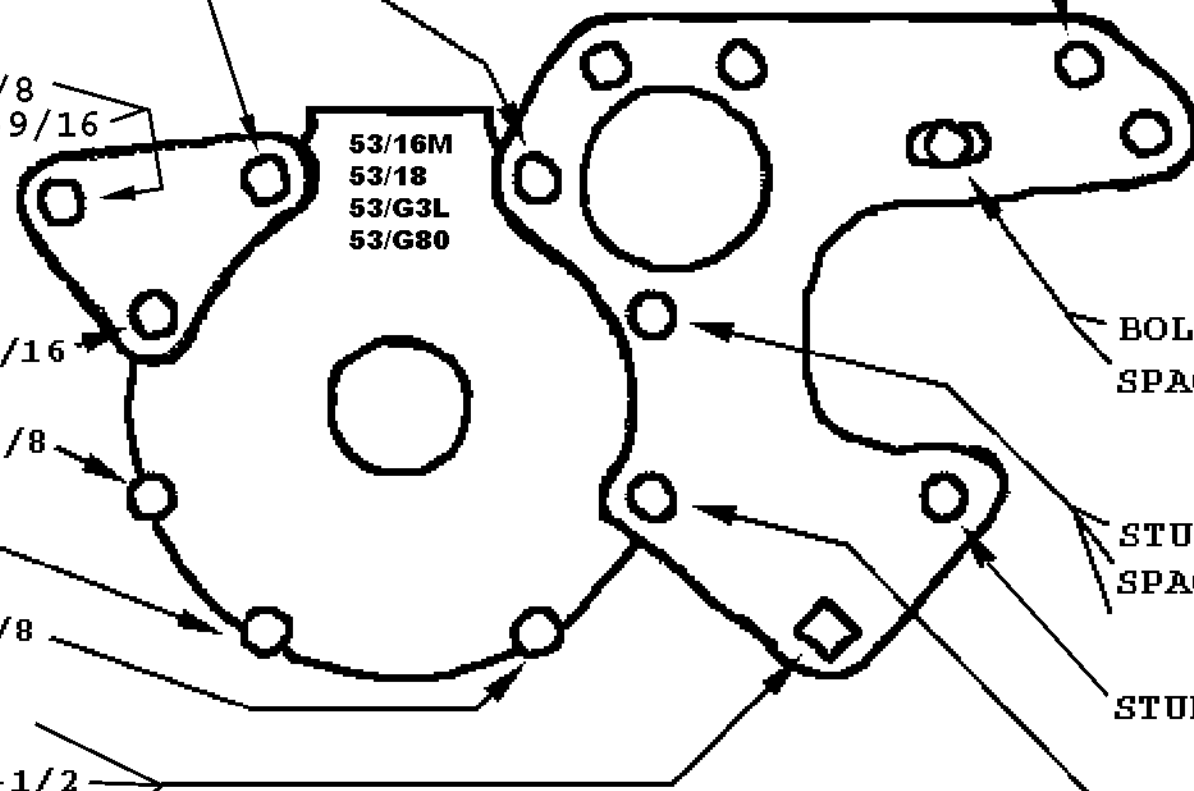
STUD 7/16 x 4-9/16

FOOTREST ROD

SPACER x 3-1/2

SPACERS

BOLT 5/16 x 4-5/32



1953

AJS & MATCHLESS

SPRING FRAME

STUDS: diameter x length overall

BOLTS: diameter x length, under head to end

SPACERS: inside diameter x length

STUD 5/16 x 4-9/16

<INCOMPLETE>

STUD 3/8 x 4-1/2

STUD 5/16 x 6-9/32

SPACER 5/16 x 1-9/16

STUD 5/16 x

STUD 3/8 x 6-3/8

SPACER 3/8 x 1-9/16

53/16MS
53/18S
53/G3LS
53/G80S

STUD 5/16 x 4-9/16

BOLT 7/16 x 5-3/16

SPACER 7/16 x 5/16

STUD 5/16 x 4-3/8

STUD
SPACER

STUD 5/16 x 6

STUD 1/4 x 4-5/8

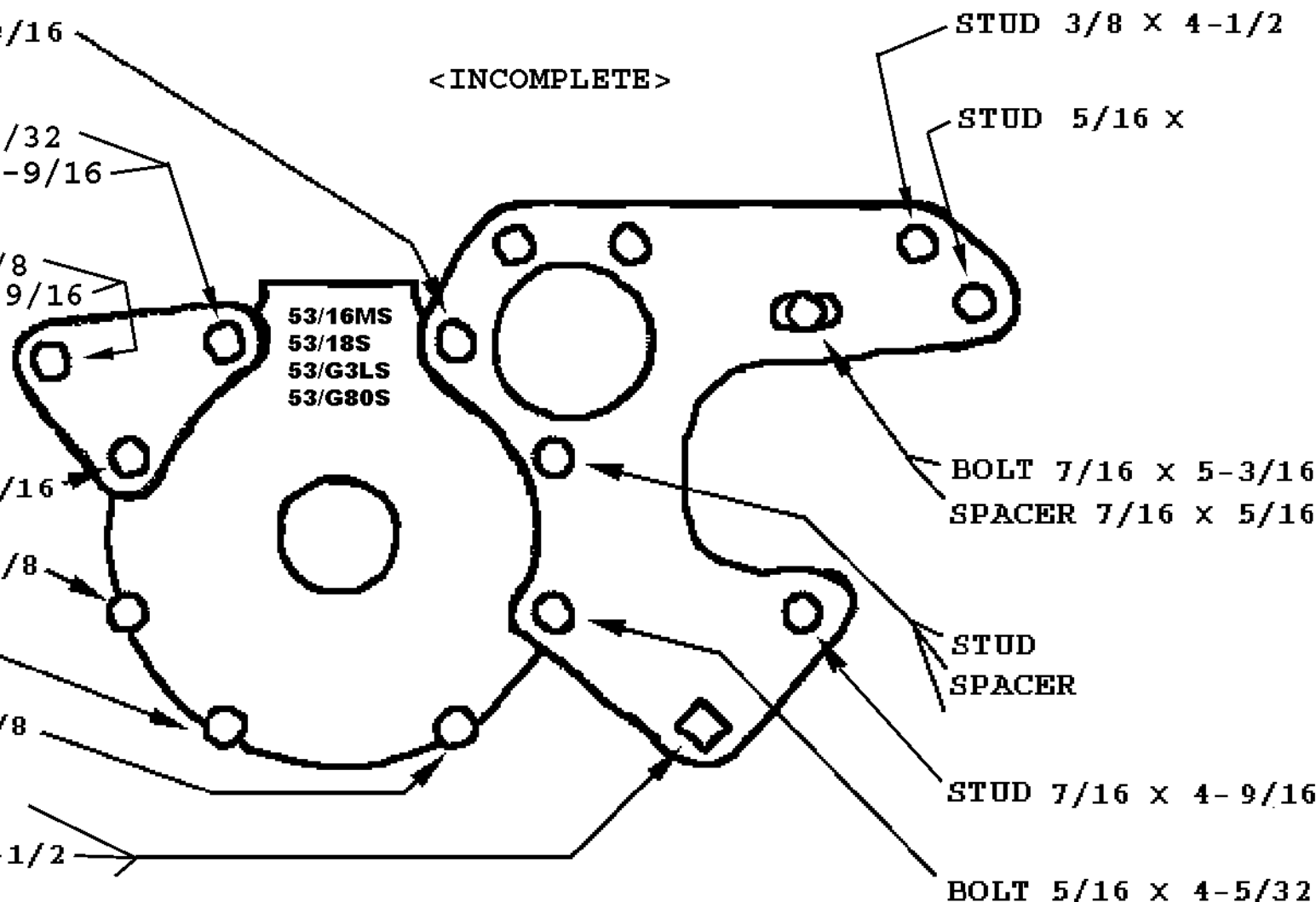
STUD 7/16 x 4-9/16

FOOTREST ROD

SPACER x 3-1/2

SPACERS

BOLT 5/16 x 4-5/32



1954

AJS & MATCHLESS

RIGID FRAME

STUDS: diameter x length overall

BOLTS: diameter x length, under head to end

SPACERS: inside diameter x length

STUD 5/16 x 4-9/16

STUD 5/16 x 6-9/32

SPACER 5/16 x 1-9/16

STUD 3/8 x 6-3/8

SPACER 3/8 x 1-9/16

STUD 5/16 x 4-9/16

STUD 5/16 x 4-3/8

STUD 3/8 x 6-1/8

STUD 1/4 x 4-5/8

FOOTREST ROD 10-1/2

SPACER x 3-1/2

SPACER (RH) x 1

SPACER (LH) x 13/16

54/16M
54/18
54/G3L
54/G80

STUD 3/8 x 4-1/2

STUD 5/16 x 4-9/16

BOLT 7/16 x 5-3/16

SPACER 7/16 x 5/16

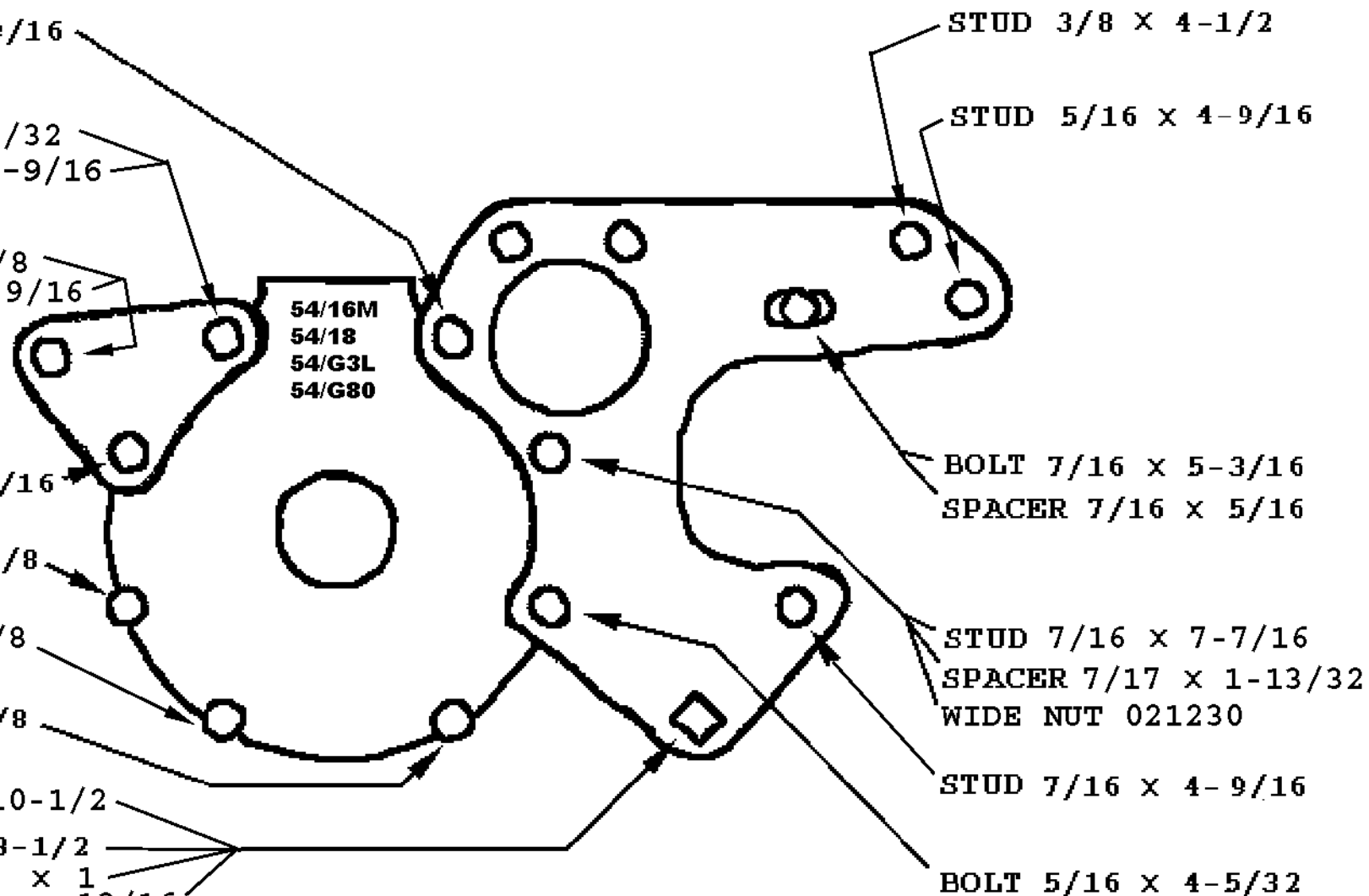
STUD 7/16 x 7-7/16

SPACER 7/17 x 1-13/32

WIDE NUT 021230

STUD 7/16 x 4-9/16

BOLT 5/16 x 4-5/32



1954

AJS & MATCHLESS

SPRING FRAME

STUDS: diameter x length overall

BOLTS: diameter x length, under head to end

SPACERS: inside diameter x length

STUD 5/16 x 4-9/16

STUD 5/16 x 6-9/32

SPACER 5/16 x 1-9/16

STUD 3/8 x 6-3/8

SPACER 3/8 x 1-9/16

STUD 5/16 x 4-9/16

STUD 5/16 x 4-3/8

STUD 3/8 x 6-1/8

STUD 1/4 x 4-5/8

FOOTREST ROD 10-1/2

SPACER x 3-1/2

SPACER (RH) x 1

SPACER (LH) x 13/16

<INCOMPLETE>

STUD 3/8 x 4-1/2

STUD 5/16 x 4-9/16

BOLT 7/16 x 5-3/16

SPACER 7/16 x 5/16

STUD 7/16 x 7-7/16

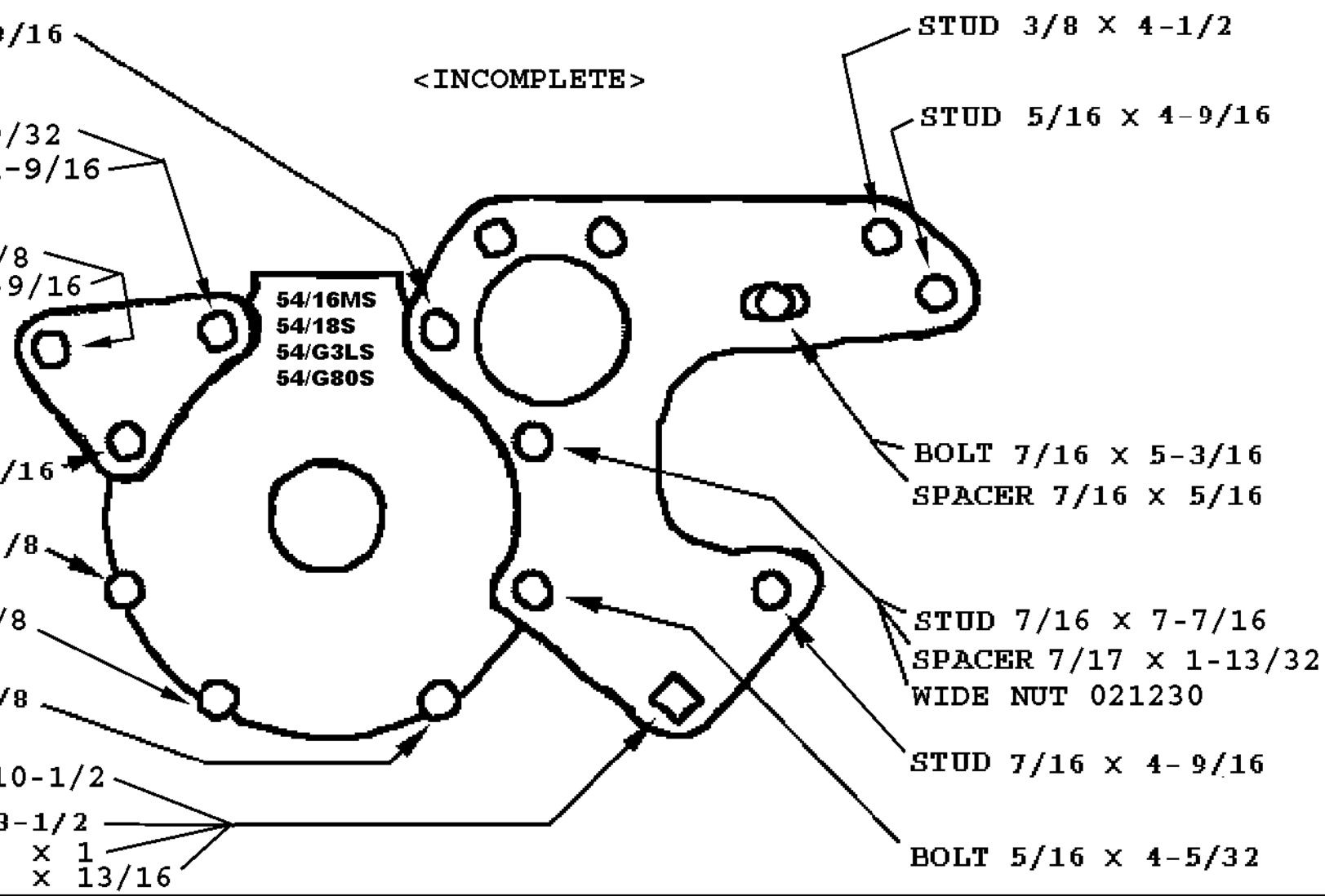
SPACER 7/17 x 1-13/32

WIDE NUT 021230

STUD 7/16 x 4-9/16

BOLT 5/16 x 4-5/32

54/16MS
54/18S
54/G3LS
54/G80S



1955

AJS & MATCHLESS

RIGID FRAME

STUDS: diameter x length overall

BOLTS: diameter x length, under head to end

SPACERS: inside diameter x length

STUD 5/16 x 4-9/16

STUD 5/16 x 6-9/32

SPACER 5/16 x 1-9/16

STUD 3/8 x 6-3/8

SPACER 3/8 x 1-9/16

STUD 5/16 x 4-9/16

STUD 5/16 x 4-3/8

STUD 3/8 x 6-1/8

STUD 5/16 x 4-9/16

FOOTREST ROD 10-1/2

SPACER x 3-1/2

SPACER (RH) x 1

SPACER (LH) x 13/16

55/16M
55/18
55/G3L
55/G80

STUD 3/8 x 4-1/2

SPACER(L) 3/8 x 11/16

SPACER(R) 3/8 x 5/16

BOLT 7/16 x 5-3/16

SPACER 7/16 x 5/16

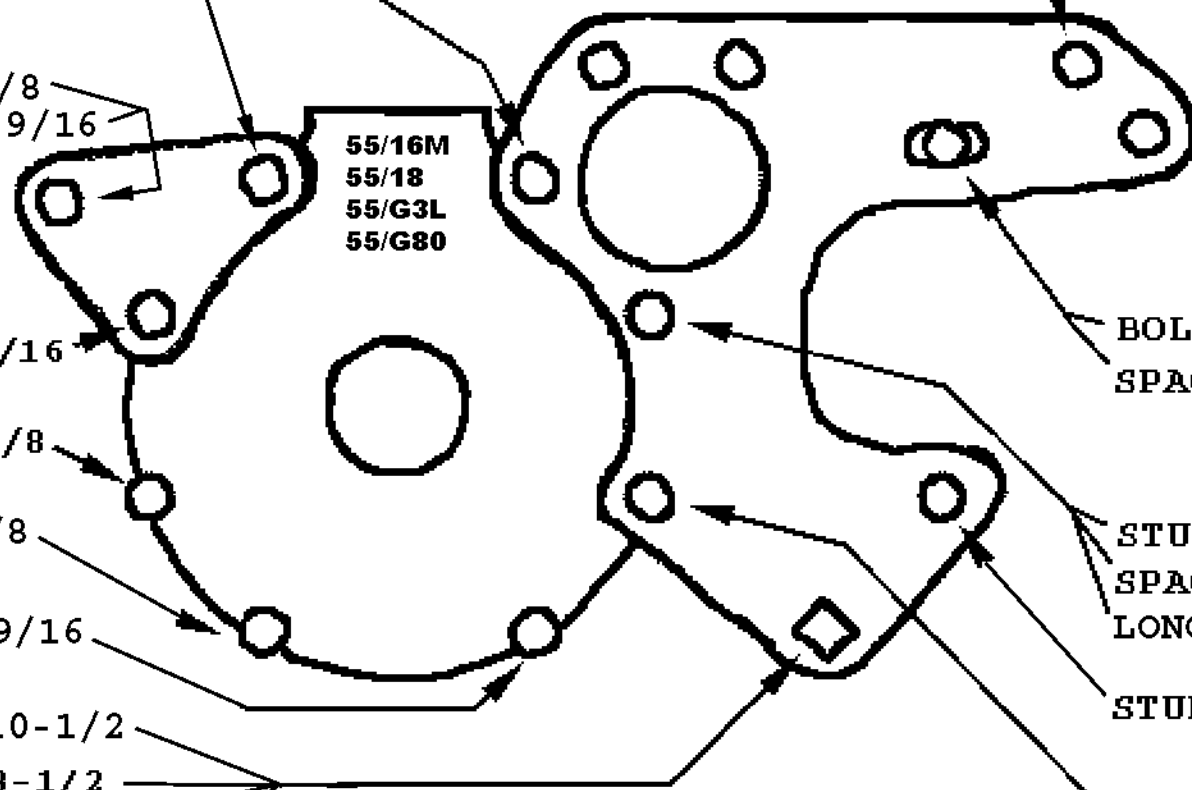
STUD 7/16 x 7-7/16

SPACER 7/16 x 1-13/32

LONG NUT

STUD 7/16 x 4-9/16

BOLT 5/16 x 4-5/32



1955

AJS & MATCHLESS

SPRING FRAME

STUDS: diameter x length overall

BOLTS: diameter x length, under head to end

SPACERS: inside diameter x length

STUD 5/16 x 4-9/16

STUD 5/16 x 6-9/32

SPACER 5/16 x 1-9/16

STUD 3/8 x 6-3/8

SPACER 3/8 x 1-9/16

STUD 5/16 x 4-9/16

STUD 5/16 x 4-3/8

STUD 3/8 x 6-1/8

STUD 5/16 x 4-9/16

FOOTREST ROD 10-1/2

SPACER x 3-1/2

SPACER (RH) x 1

SPACER (LH) x 13/16

55/16MS
55/18S
55/G3LS
55/G80S

STUD 3/8 x 4-1/2

STUD 5/16 x 4-9/16

BOLT 7/16 x 5-3/16

SPACER 7/16 x 5/16

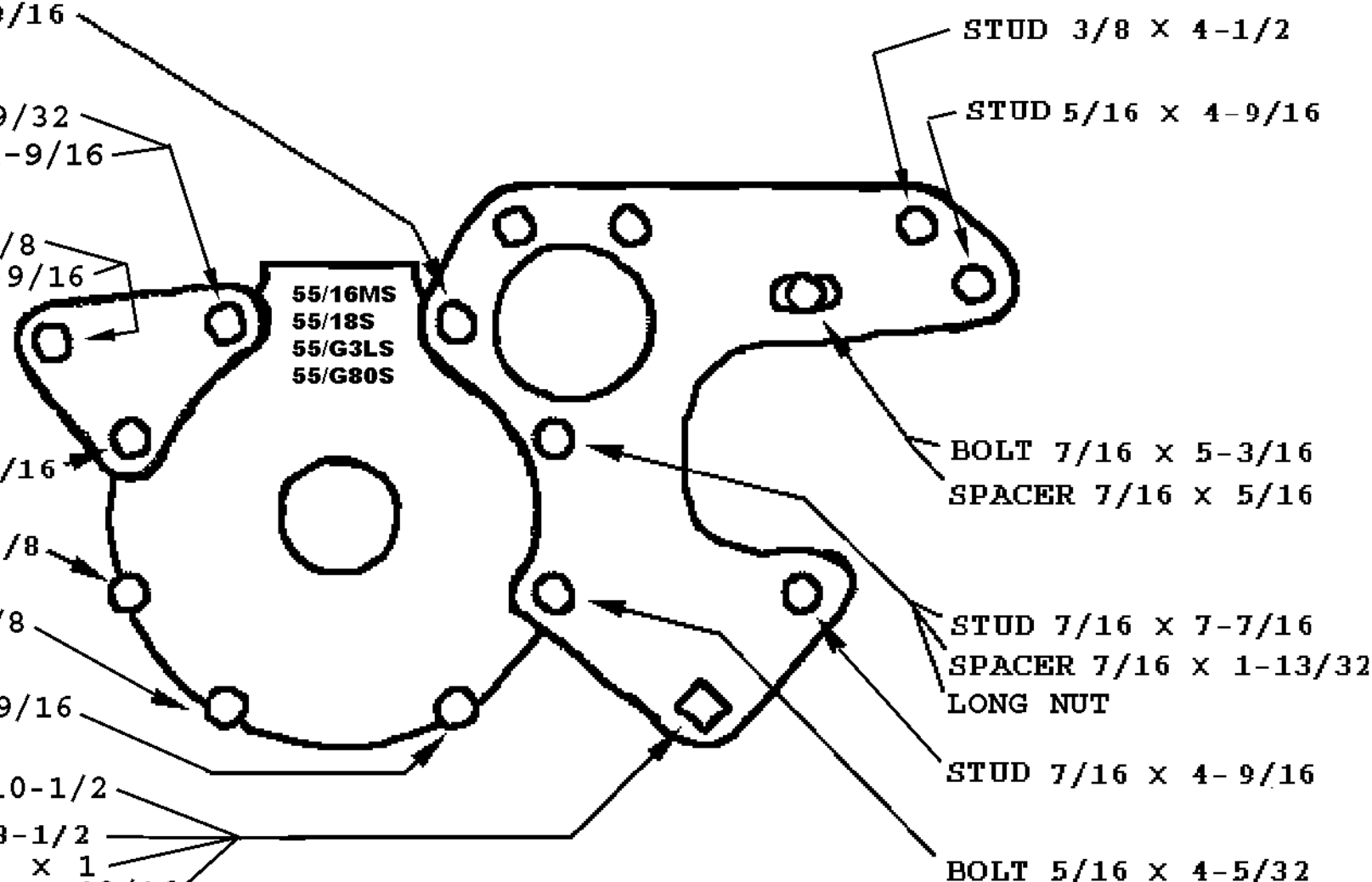
STUD 7/16 x 7-7/16

SPACER 7/16 x 1-13/32

LONG NUT

STUD 7/16 x 4-9/16

BOLT 5/16 x 4-5/32



1956

AJS & MATCHLESS

STUDS: diameter x length overall

BOLTS: diameter x length, under head to end

SPACERS: inside diameter x length

STUD 5/16 x 4-9/16

<INCOMPLETE>

STUD 3/8 x 4-1/2

STUD 5/16 x 6-9/32

SPACER 5/16 x 1-9/16

STUD

STUD 3/8 x 6-3/8

SPACER 3/8 x 1-9/16

56/16MS
56/18S
56/G3LS
56/G80S

(022509)

STUD 5/16 x 4-9/16

BOLT 7/16 x

STUD 5/16 x 4-3/8

STUD 3/8 x 6-1/8

STUD 7/16 x 7-7/16

SPACER 7/16 x 1-13/32

LONG NUT

STUD 5/16 x 4-9/16

STUD 7/16 x 4-9/16

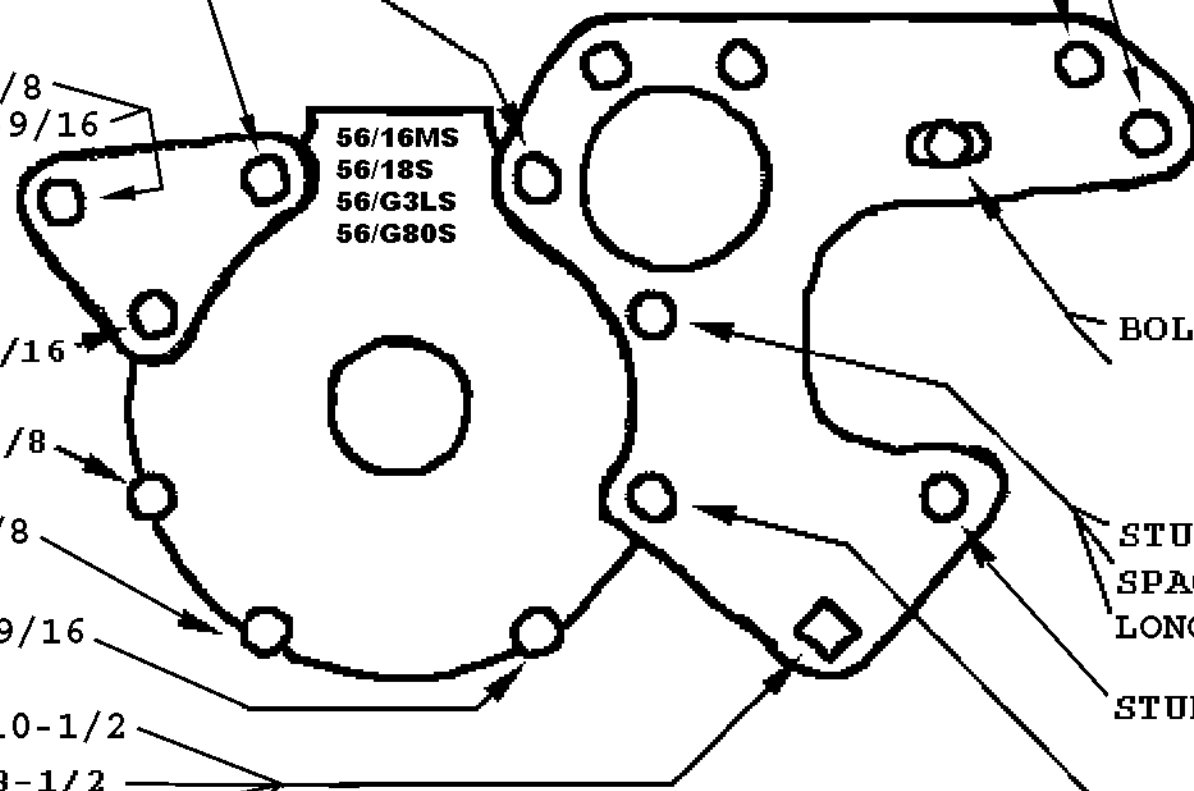
FOOTREST ROD 10-1/2

SPACER x 3-1/2

SPACER (RH) x 1

SPACER (LH) x 13/16

BOLT 5/16 x 4-5/32



1958

AJS & MATCHLESS

STUDS: diameter x length overall

BOLTS: diameter x length, under head to end

SPACERS: inside diameter x length

STUD 5/16 x 4-9/16

<INCOMPLETE>

STUD 3/8 x 4-1/2

STUD 5/16 x 4-9/16

STUD

STUD 3/8 x 4-1/2

58/16MS
58/18S
58/G3LS
58/G80S

STUD 5/16 x 4-9/16

BOLT (022509)

STUD 5/16 x 4-3/8

STUD 3/8 x 6-1/8

STUD (000288)

FOOTREST ROD 10-1/2

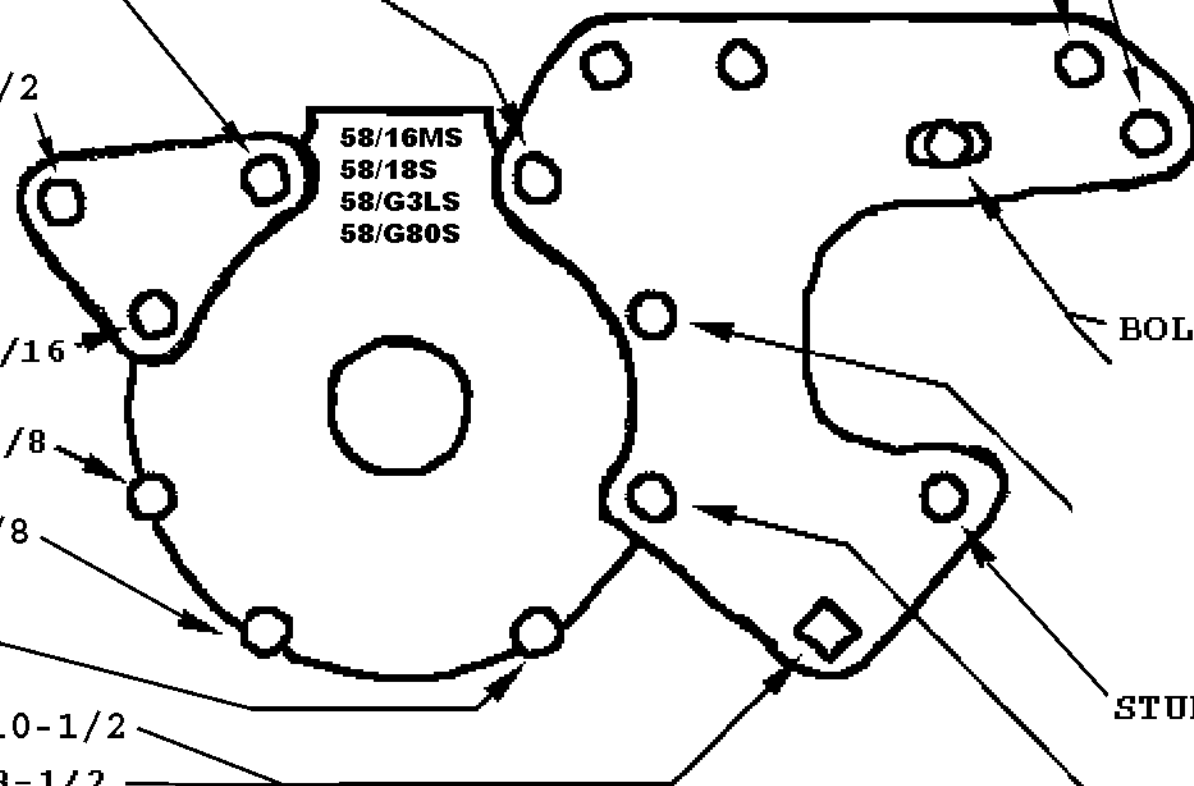
STUD 7/16 x 4-9/16

SPACER x 3-1/2

SPACER (RH) x 1

SPACER (LH) x 13/16

BOLT 5/16 x 4-5/32



1959

AJS & MATCHLESS

STUDS: diameter x length overall

BOLTS: diameter x length, under head to end

SPACERS: inside diameter x length

STUD 5/16 x 4-9/16

STUD 5/16 x 4-9/16

STUD 3/8 x 4-1/2

STUD 5/16 x 4-9/16

STUD 5/16 x 4-3/8

STUD 3/8 x 6-1/8

STUD (000288)

FOOTREST ROD 10-1/2

SPACER x 3-1/2

SPACER (RH) x 1

SPACER (LH) x 13/16

59/16
59/18
59/G3
59/G80

STUD 3/8 x 4-1/2

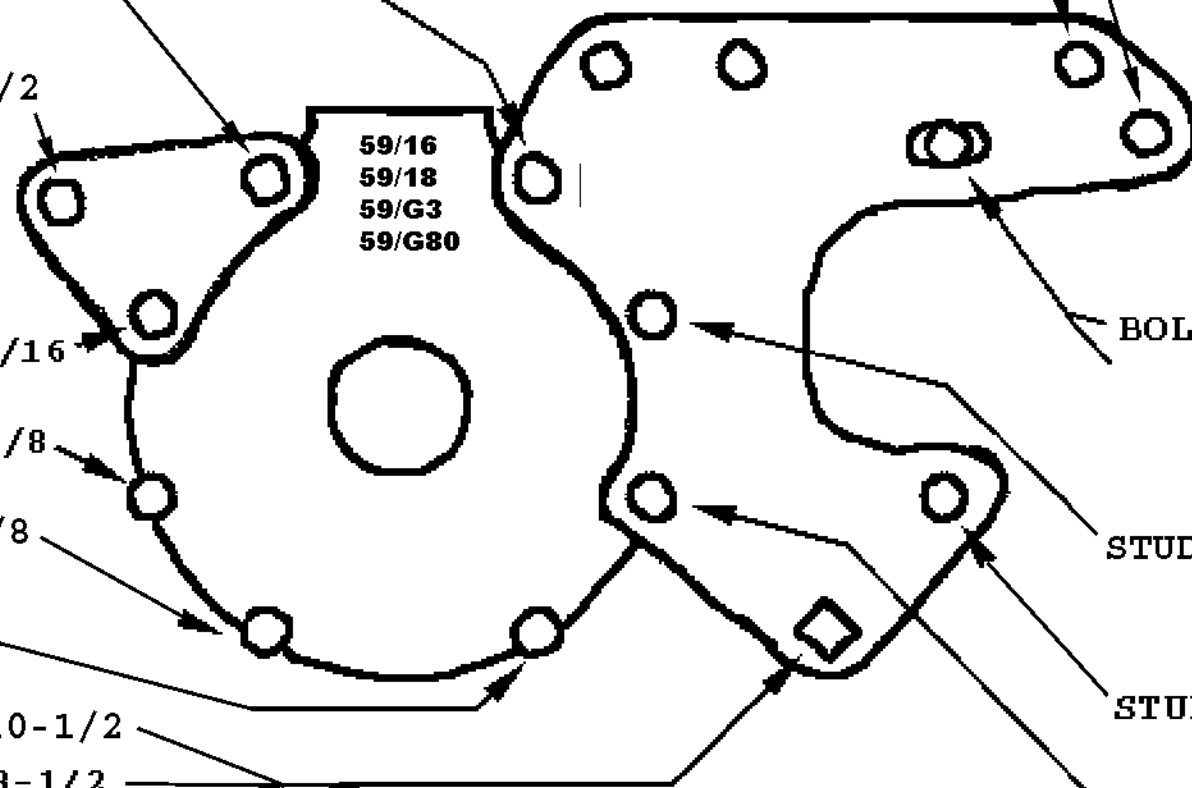
STUD 3/8 x 4-1/2

BOLT (022509)

STUD (024276)

STUD 7/16 x 4-9/16

BOLT 5/16 x 4-5/32



1960

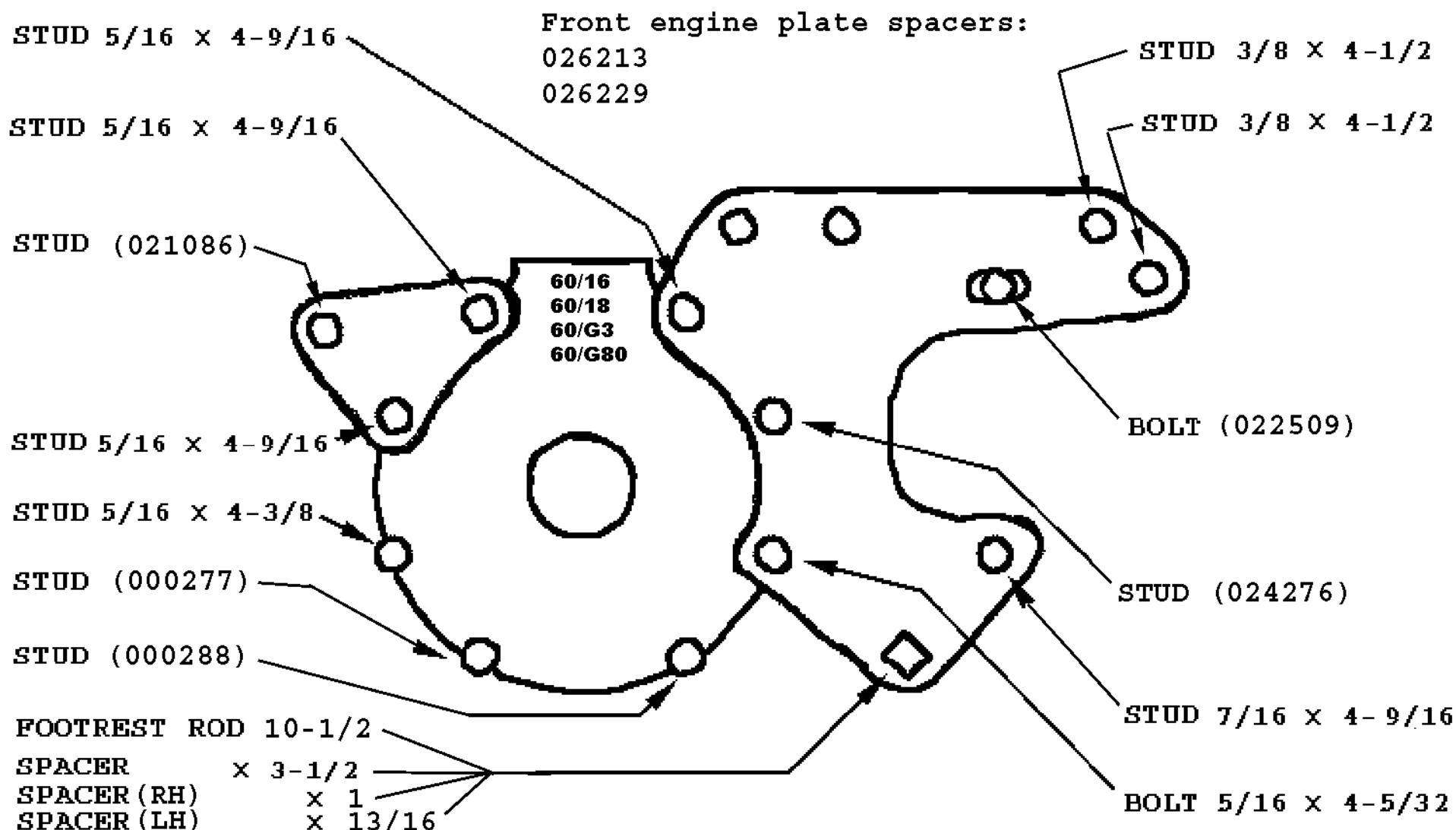
AJS & MATCHLESS

DUPLEX FRAME

STUDS: diameter x length overall

BOLTS: diameter x length, under head to end

SPACERS: inside diameter x length



1963/64

AJS & MATCHLESS

DUPLEX FRAME

STUDS: diameter x length overall

BOLTS: diameter x length, under head to end

SPACERS: inside diameter x length

STUD 5/16 x 4-9/16

STUD 5/16 x 4-9/16

STUD (021086)

STUD 5/16 x 4-9/16

STUD 5/16 x 4-3/8

STUD 5/16 x 4-3/8

STUD 5/16 x 4-3/8

FOOTREST ROD 10-1/2

SPACER x 3-1/2

SPACER (RH) x 1

SPACER (LH) x 13/16

Front engine plate spacers:

026213

026229

STUD 3/8 x 4-1/2

STUD 3/8 x 4-1/2

BOLT (022509)

STUD (024276)

STUD 7/16 x 4-9/16

BOLT 5/16 x 4-5/32

