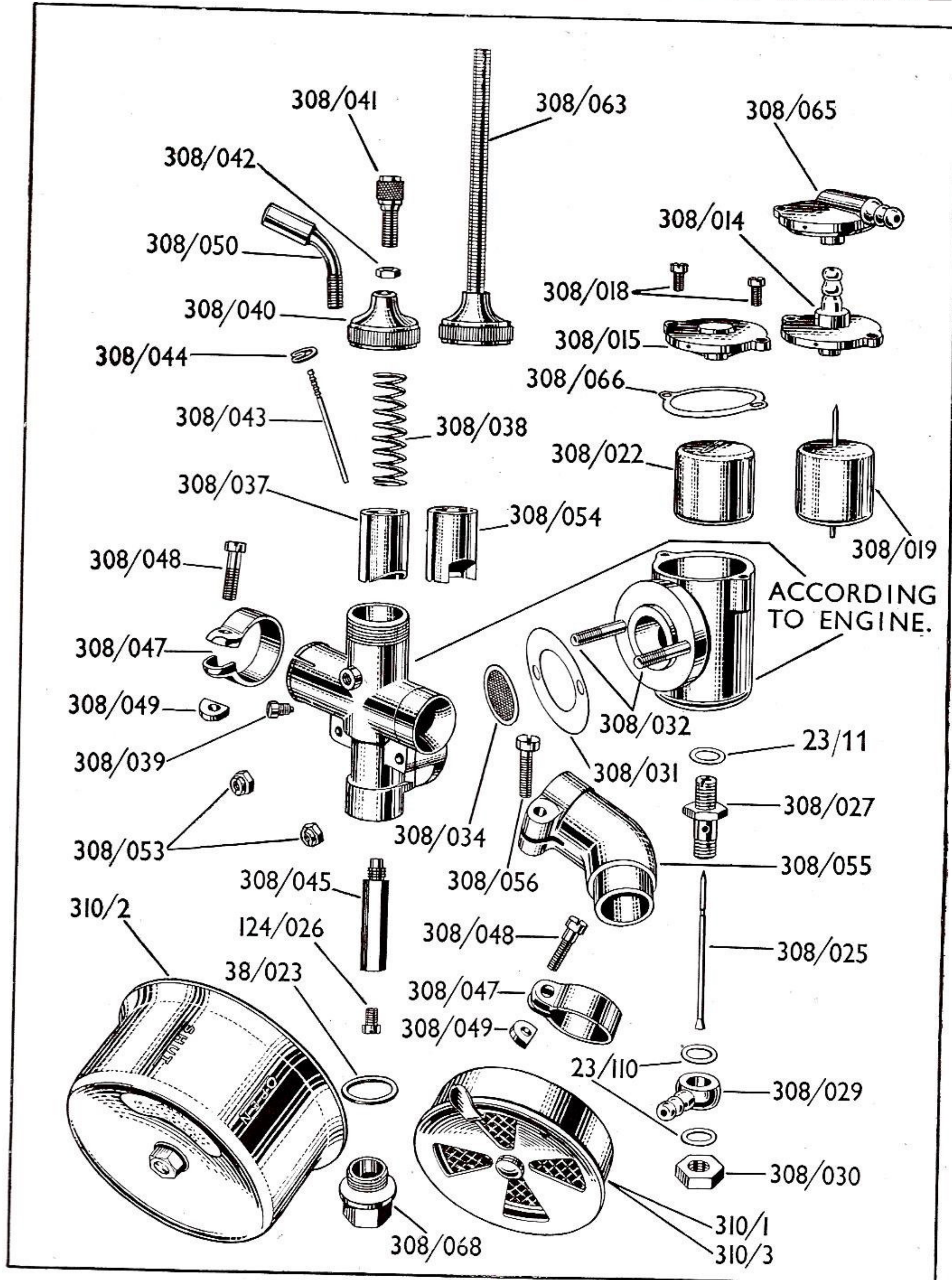


AMAL

LIST No. A463

SPARES & SETTINGS

TYPE 308 CARBURETTOR



(THIS LIST IS PRINTED IN ENGLAND, AND IS ISSUED SUBJECT TO PRICES RULING AT THE DATE OF DELIVERY)

AMAL LTD., Holford Works, Perry Barr, BIRMINGHAM, 20
TELEPHONE: BIRCHFIELDS 4571 (5 lines). ENGLAND. TELEGRAMS: AMALCARB, BIRMINGHAM.

| Component | 308/1 | 308/2 | 308/4 | 308/5 | 308/6 | 308/7 | List Price | |
|--|---------|---------|---------|---------|---------|---------|------------|----|
| | | | | | | | s. | d. |
| Carburettor complete, less Controls & Cables | 308/1 | 308/2 | 308/4 | 308/5 | 308/6 | 308/7 | 37 | 6 |
| Mixing Chamber Body | 308/001 | 308/003 | 308/001 | 308/002 | 308/003 | 308/008 | 7 | 6 |
| Mixing Chamber Liner | — | — | — | — | — | 308/064 | | 6 |
| Mixing Chamber Top Cover | 308/040 | 308/040 | 308/040 | 308/040 | 308/040 | — | 1 | 6 |
| Mixing Chamber Top Cover complete | — | — | — | — | — | 308/063 | 2 | 3 |
| Cable Adjuster | 308/041 | 308/041 | 308/041 | 308/041 | 308/041 | — | | 4 |
| Cable Adjuster Locknut | 308/042 | 308/042 | 308/042 | 308/042 | 308/042 | — | | 1 |
| Cable Guide | — | — | 308/050 | — | — | — | | 9 |
| Throttle Valve | 308/054 | 308/037 | 308/037 | 308/037 | 308/037 | 308/037 | 2 | 6 |
| Throttle Spring Valve | 308/038 | 308/038 | 308/038 | 308/038 | 308/038 | 308/038 | | 4 |
| Throttle Valve Locating Screw | 308/039 | 308/039 | 308/039 | 308/039 | 308/039 | 308/039 | | 1 |
| Throttle Needle | 308/043 | 308/043 | 308/043 | 308/043 | 308/043 | 308/043 | 1 | 6 |
| Throttle Needle Clip | 308/044 | 308/044 | 308/044 | 308/044 | 308/044 | 308/044 | | 2 |
| Needle Jet | 308/045 | 308/045 | 308/045 | 308/045 | 308/045 | 308/045 | 2 | 6 |
| Main Jet | 124/026 | 124/026 | 124/026 | 124/026 | 124/026 | 124/026 | | 8 |
| Needle Jet Cover | 308/068 | 308/068 | 308/068 | 308/068 | 308/068 | 308/068 | 1 | 0 |
| Washer for Needle Jet Cover | 38/023 | 38/023 | 38/023 | 38/023 | 38/023 | 38/023 | | 2 |
| Outlet Clip | 308/047 | 308/047 | 308/047 | 308/047 | 308/047 | — | | 9 |
| Outlet Clip Pin | 308/048 | 308/048 | 308/048 | 308/048 | 308/048 | — | | 2 |
| Outlet Clip Pin Nut | 308/049 | 308/049 | 308/049 | 308/049 | 308/049 | 308/049 | | 1 |
| Strangler Gauze Air Intake complete | 310/2 | 301/1 | — | 310/1 | — | — | 7 | 6 |
| Elbow for Intake | — | — | — | — | — | — | 2 | 6 |
| Securing Screw for Elbow | — | — | — | — | — | — | | 3 |
| Cable Nipple | 308/051 | 308/051 | 308/051 | 308/051 | 308/051 | 308/051 | | 1 |
| Float Chamber Body | 308/013 | 308/013 | 308/013 | 308/013 | 308/012 | 308/028 | 5 | 0 |
| Float Chamber Body Flange Studs | 308/032 | 308/032 | 308/032 | 308/032 | 308/032 | 308/032 | | 3 |
| Flange Stud Nut | 308/053 | 308/053 | 308/053 | 308/053 | 308/053 | 308/053 | | 2 |
| Flange Washer | 308/031 | 308/031 | 308/031 | 308/031 | 308/031 | 308/031 | | 2 |
| Filter Gauze | 308/034 | 308/034 | 308/034 | 308/034 | 308/034 | 308/034 | | 4 |
| Float Chamber Cover complete | 308/015 | 308/015 | 308/015 | 308/015 | 308/014 | 308/065 | 1 | 6 |
| Float Chamber Cover Joint Washer | 308/066 | 308/066 | 308/066 | 308/066 | 308/066 | 308/066 | | 2 |
| Cover Securing Screw | 308/018 | 308/018 | 308/018 | 308/018 | 308/018 | 308/018 | | 1 |
| Float | 308/022 | 308/022 | 308/022 | 308/022 | — | — | 2 | 6 |
| Float Needle | 308/025 | 308/025 | 308/025 | 308/025 | — | — | 1 | 0 |
| Float and Needle Combined (Top Feed) | — | — | — | — | 308/019 | 308/019 | 3 | 6 |
| Needle Seating | 308/027 | 308/027 | 308/027 | 308/027 | — | — | 1 | 0 |
| Banjo | 308/029 | 308/029 | 308/029 | 308/029 | — | — | 1 | 6 |
| Needle Seating and Banjo Washer | 23/110 | 23/110 | 23/110 | 23/110 | — | — | | 1 |
| Banjo Nut | 308/030 | 308/030 | 308/030 | 308/030 | — | — | | 6 |
| Throttle Cable complete (AF1152) | 224/757 | — | — | — | — | — | 2 | 3 |
| Clutch Cable complete | 244/756 | — | — | — | — | — | 3 | 6 |
| Throttle Lever complete | 355/2 | — | — | — | — | — | 9 | 0 |
| Clutch Lever complete | 18/643 | — | — | — | — | — | 10 | 6 |

| Component | 308/9 | 308/10 | 308/11 | 308/12 | 308/13 | 308/15 | 308/16 | List Price | |
|--------------------------------------|---------|---------|---------|---------|---------|---------|---------|------------|----|
| | | | | | | | | s. | d. |
| Carb. complete, less Con. and Cables | 308/9 | 308/10 | 308/11 | 308/12 | 308/13 | 308/15 | 308/16 | 37 | 6 |
| Mixing Chamber Body | 308/001 | 308/002 | 308/001 | 308/009 | 308/006 | 308/003 | 308/002 | 7 | 6 |
| Mixing Chamber Liner | — | — | — | — | — | — | — | | 6 |
| Mixing Chamber Top Cover ... | 308/040 | 308/040 | 308/040 | 308/040 | 308/040 | 308/040 | 308/040 | 1 | 6 |
| Mixing Chamber Top Cover complete | — | — | — | — | — | — | — | 2 | 3 |
| Cable Adjuster | 308/041 | 308/041 | 308/041 | 308/041 | 308/041 | 308/041 | 308/041 | | 4 |
| Cable Adjuster Locknut | 308/042 | 308/042 | 308/042 | 308/042 | 308/042 | 308/042 | 308/042 | | 1 |
| Cable Guide | — | — | 308/050 | — | — | — | — | | 9 |
| Throttle Valve | 308/037 | 308/037 | 308/037 | 308/037 | 308/037 | 308/037 | 308/037 | 2 | 6 |
| Throttle Valve Spring | 308/038 | 308/038 | 308/038 | 308/038 | 308/038 | 308/038 | 308/038 | | 4 |
| Throttle Valve Locating Screw ... | 308/039 | 308/039 | 308/039 | 308/039 | 308/039 | 308/039 | 308/039 | | 1 |
| Throttle Needle | 308/043 | 308/043 | 308/043 | 308/043 | 308/043 | 308/043 | 308/043 | 1 | 6 |
| Throttle Needle Clip | 308/044 | 308/044 | 308/044 | 308/044 | 308/044 | 308/044 | 308/044 | | 2 |
| Needle Jet | 308/045 | 308/045 | 308/045 | 308/045 | 308/045 | 308/045 | 308/045 | 2 | 6 |
| Main Jet | 124/026 | 124/026 | 124/026 | 124/026 | 124/026 | 124/026 | 124/026 | | 8 |
| Needle Jet Cover | 308/068 | 308/068 | 308/068 | 308/068 | 308/068 | 308/068 | 308/068 | 1 | 0 |
| Washer for Needle Jet Cover ... | 38/023 | 38/023 | 38/023 | 38/023 | 38/023 | 38/023 | 38/023 | | 2 |
| Outlet Clip | 308/047 | 308/047 | 308/047 | 308/047 | 308/047 | 308/047 | 308/047 | | 9 |
| Outlet Clip Pin | 308/048 | 308/048 | 308/048 | 308/048 | 308/048 | 308/048 | 308/048 | | 2 |
| Outlet Clip Pin Nut | 308/049 | 308/049 | 308/049 | 308/049 | 308/049 | 308/049 | 308/049 | | 1 |
| Strangler Gauze Air Intake comp'te | — | 310/1 | 310/1 | 310/3 | — | 310/1 | 310/1 | 7 | 6 |
| Elbow for Intake | — | — | 308/055 | — | — | — | 308/055 | 2 | 6 |
| Securing Screw for Elbow ... | — | — | 308/056 | — | — | — | 308/056 | | 3 |
| Cable Nipple | 308/051 | 308/051 | 308/051 | 308/051 | 308/051 | 308/051 | 308/051 | | 1 |
| Float Chamber Body | 308/012 | 308/012 | 308/013 | 308/013 | 308/067 | 308/013 | 308/012 | 5 | 0 |
| Float Chamber Body Flange Studs | 308/032 | 308/032 | 308/032 | 308/032 | 308/032 | 308/032 | 308/032 | | 3 |
| Flange Stud Nut | 308/053 | 308/053 | 308/053 | 308/053 | 308/053 | 308/053 | 308/053 | | 2 |
| Flange Washer | 308/031 | 308/031 | 308/031 | 308/031 | 308/031 | 308/031 | 308/031 | | 2 |
| Filter Gauze | 308/034 | 308/034 | 308/034 | 308/034 | 308/034 | 308/034 | 308/034 | | 4 |
| Float Chamber Cover complete ... | 308/014 | 308/014 | 308/015 | 308/015 | 308/015 | 308/015 | 308/014 | 1 | 6 |
| Float Chamber Cover Joint Washer | 308/066 | 308/066 | 308/066 | 308/066 | 308/066 | 308/066 | 308/066 | | 2 |
| Cover Securing Screw | 308/018 | 308/018 | 308/018 | 308/018 | 308/018 | 308/018 | 308/018 | | 1 |
| Float | — | — | 308/022 | 308/022 | 308/022 | 308/022 | — | 2 | 6 |
| Float Needle | — | — | 308/025 | 308/025 | 308/025 | 308/025 | — | 1 | 0 |
| Float & Needle Combin'd (Top Feed) | 308/019 | 308/019 | — | — | — | — | 308/019 | 3 | 6 |
| Needle Seating | — | — | 308/027 | 308/027 | 308/027 | 308/027 | — | 1 | 0 |
| Banjo | — | — | 308/029 | 308/029 | 308/029 | 308/029 | — | 1 | 6 |
| Needle Seating and Banjo Washer | — | — | 23/110 | 23/110 | 23/110 | 23/110 | — | | 1 |
| Banjo Nut | — | — | 308/030 | 308/030 | 308/030 | 308/030 | — | | 6 |
| Throttle Cable complete | — | — | 244/678 | — | — | — | — | 4 | 0 |
| Throttle Lever | — | — | 12/524 | — | — | — | — | 9 | 0 |

SETTINGS LIST.

| Engine | Carb. Type No. | Internal Bore | Jet Size | Throttle Valve | Throttle Needle Position | Needle Jet |
|----------------------|-------------------|------------------|-------------|-------------------|--------------------------------|---------------|
| BANTAMOTA | 308/15 | .39" | 27 | No. 2 | 3 | .0745 |
| BERINI | 308/1 | .39" | 32 | No. 4 | 3 | .0745 |
| BUSY BEE | 308/2 | .312 | 27 | No. 2 | 3 | .078 |
| CYCLAID | 308/5 | .39" | 25 | No. 2 | 3 | .078 |
| CYCLEMASTER | 308/11 | .39" | 30 | No. 2 | 3 | .0745 |
| CYCLEMASTER | 308/11 | .39" | 35 | No. 2 | 3 | .0745 |
| CYMOTA | 308/12 | .312" | 25 | No. 2 | 1 | .078 |
| DIESELLA | 308/15 | .39" | 32 | No. 2 | 3 | .078 |
| J.A.P., MODEL "O" .. | 308/2 | .312 | 27 | No. 2 | 3 | .078 |
| MOCYC | 308/16 | .39 | 27 | No. 2 | 5 | .078 |
| MOTOMITE | 308/10 | .39" | 27 | No. 2 | 3 | .078 |