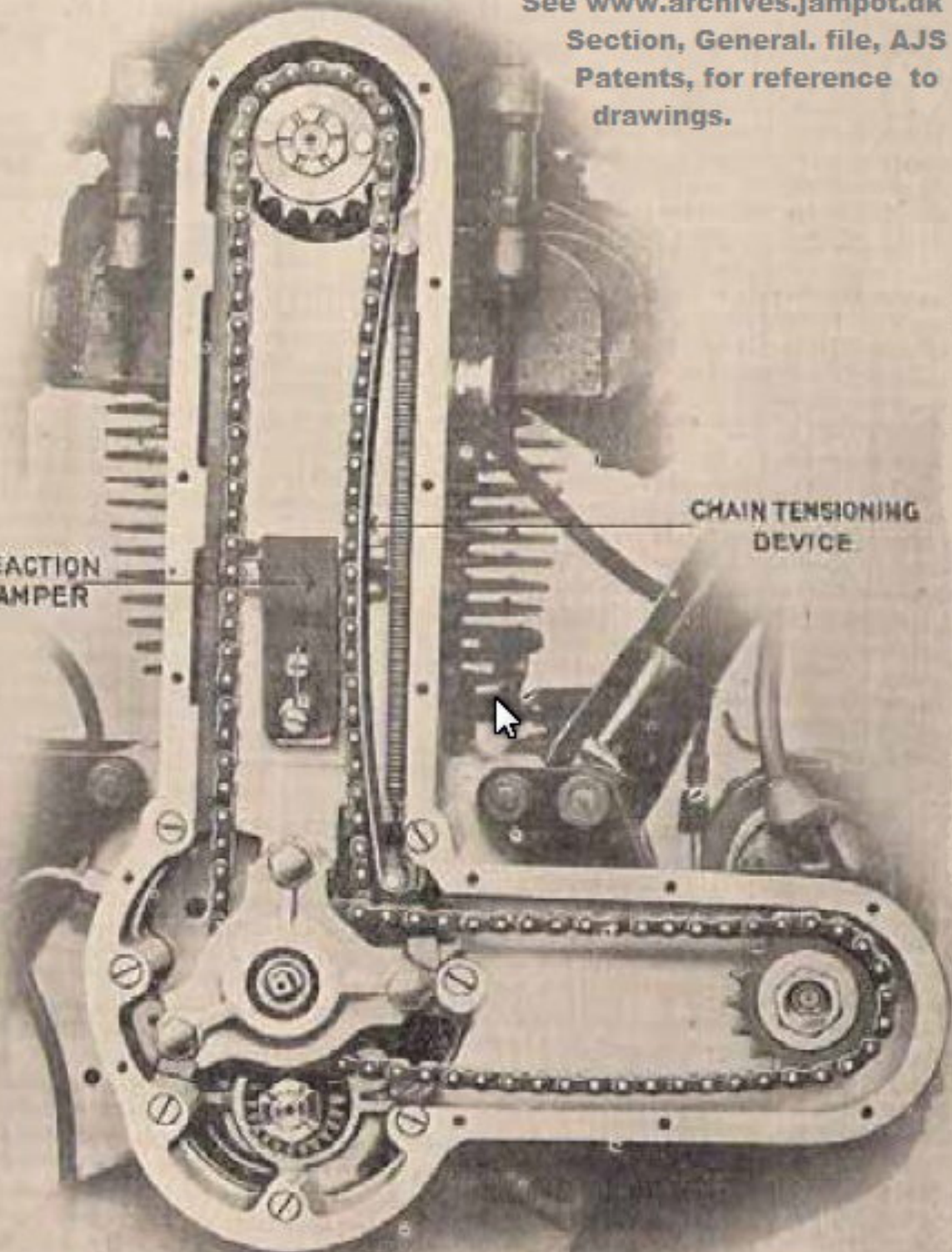
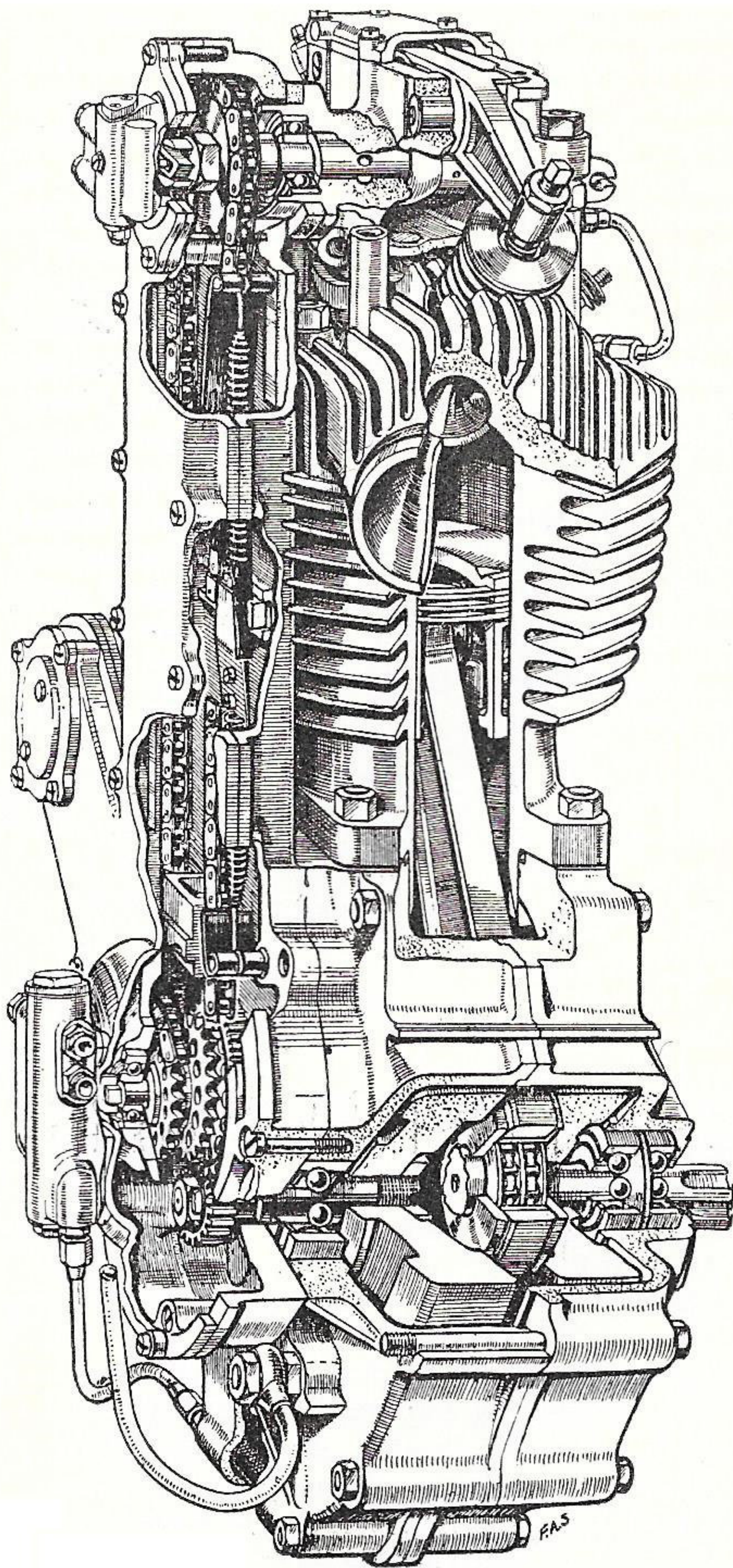


See www.archives.jampot.dk
Section, General. file, AJS
Patents, for reference to
drawings.

REACTION
DAMPER

CHAIN TENSIONING
DEVICE





A.J.S. 350 c.c. O.H.C. engine.

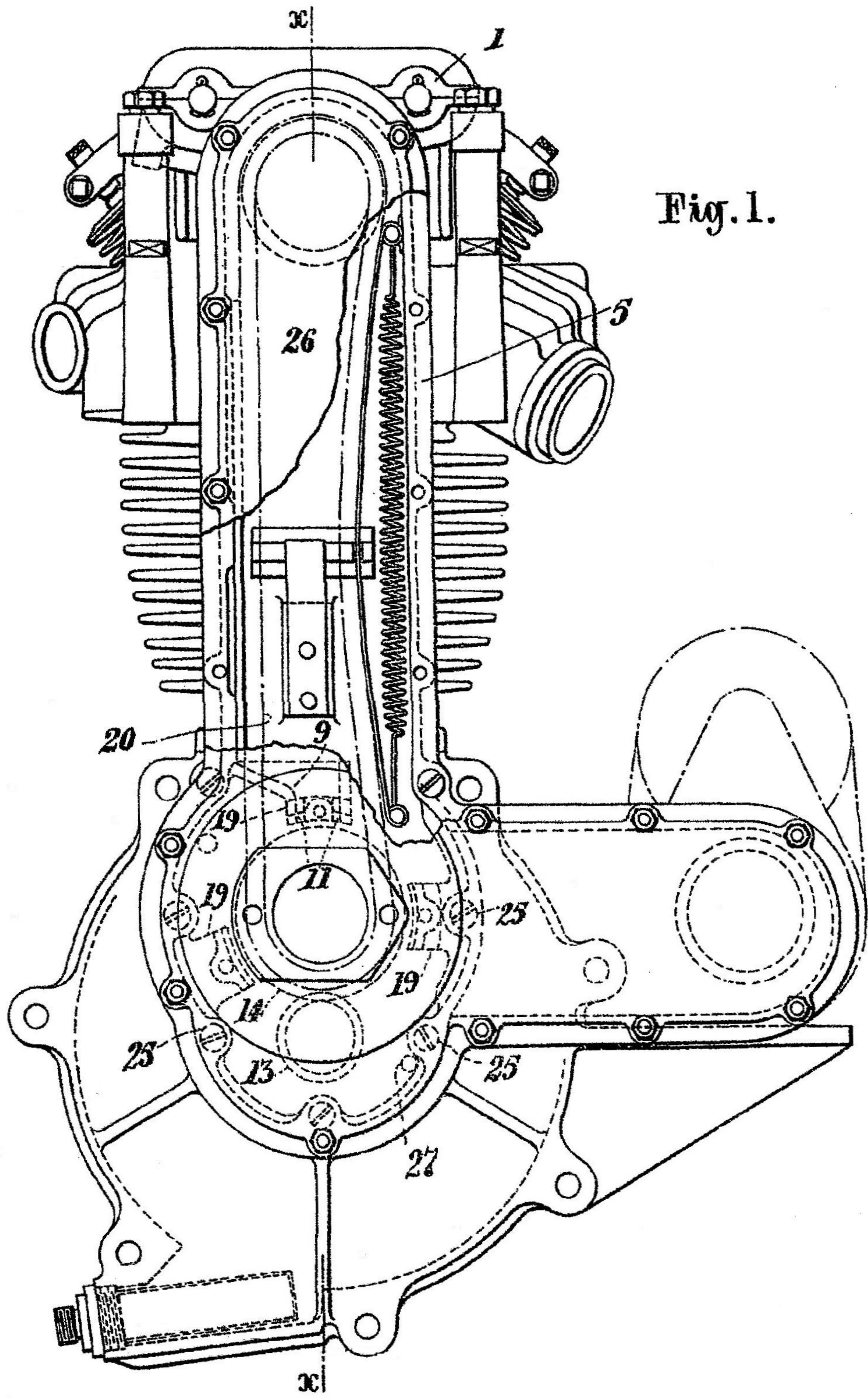
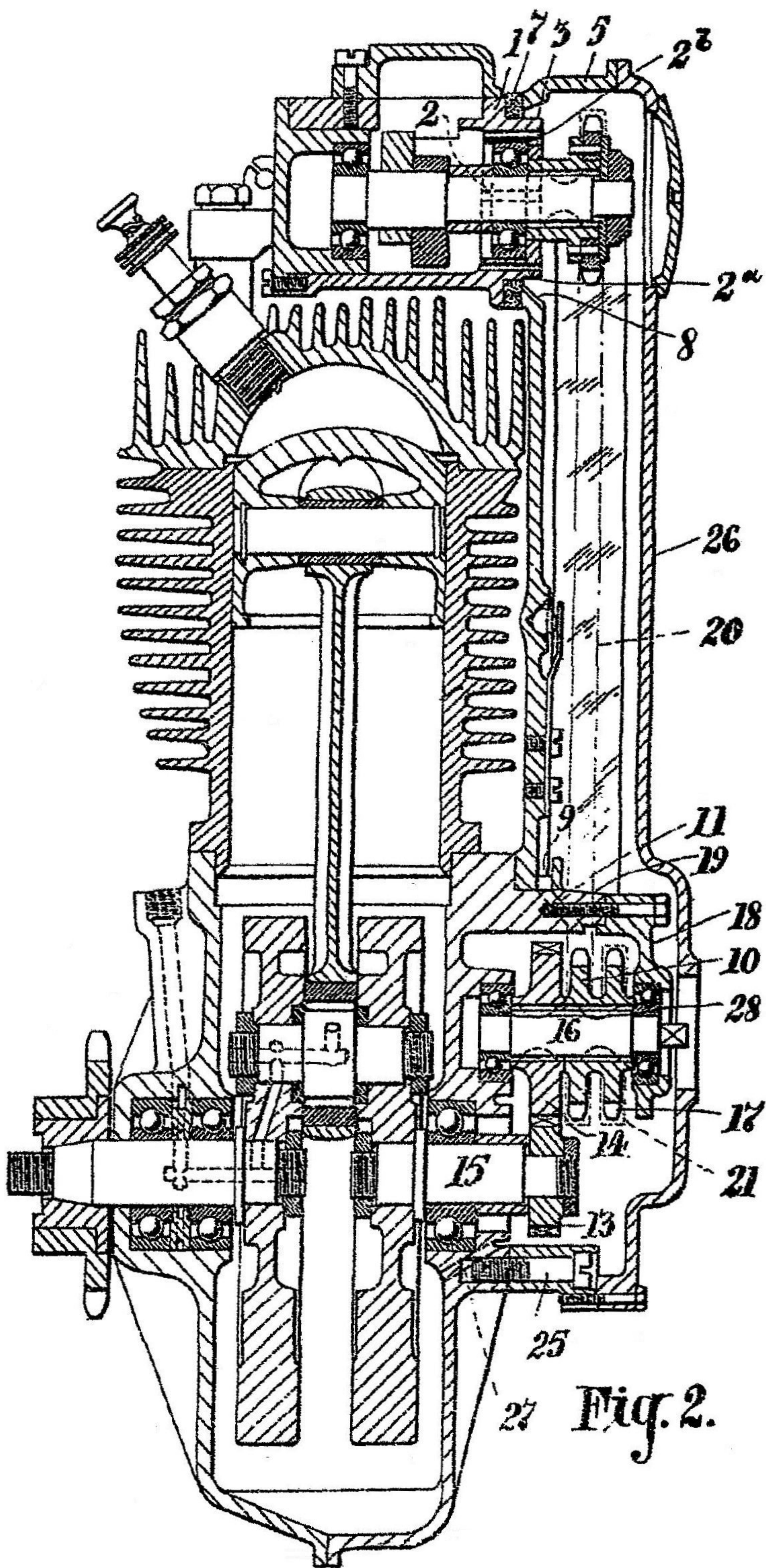


Fig. 1.



27 Fig. 2.

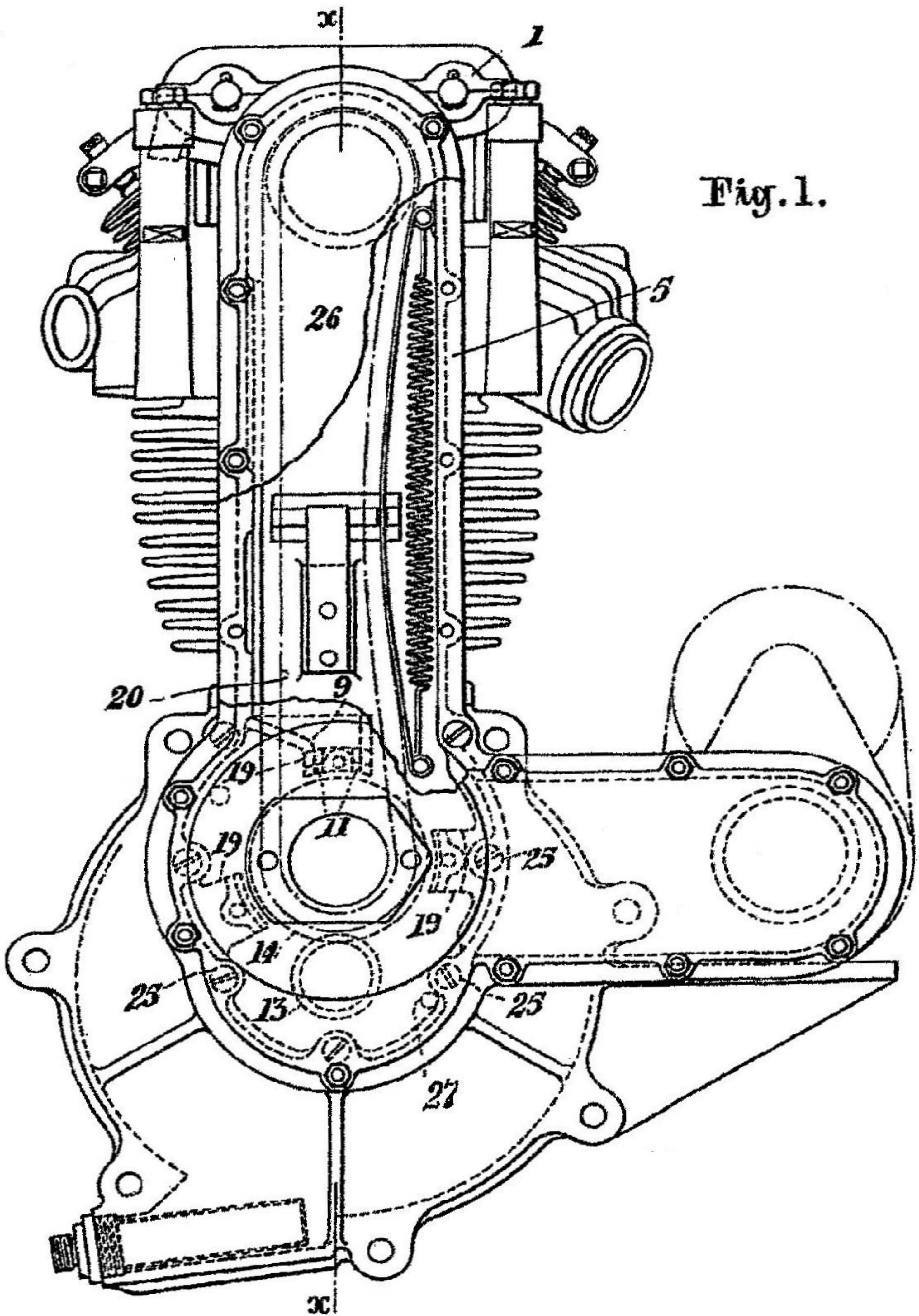


Fig. 1.

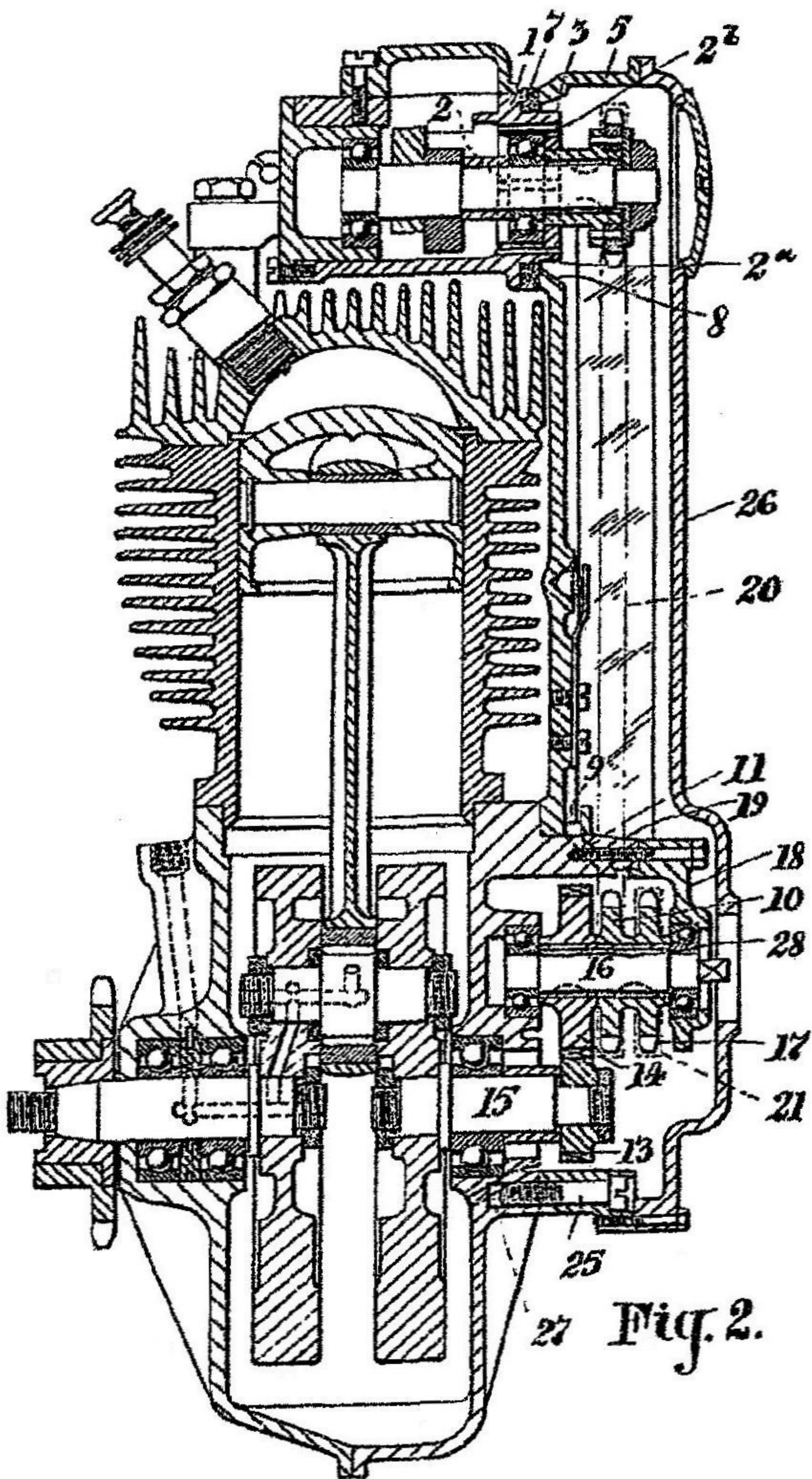


Fig. 3.

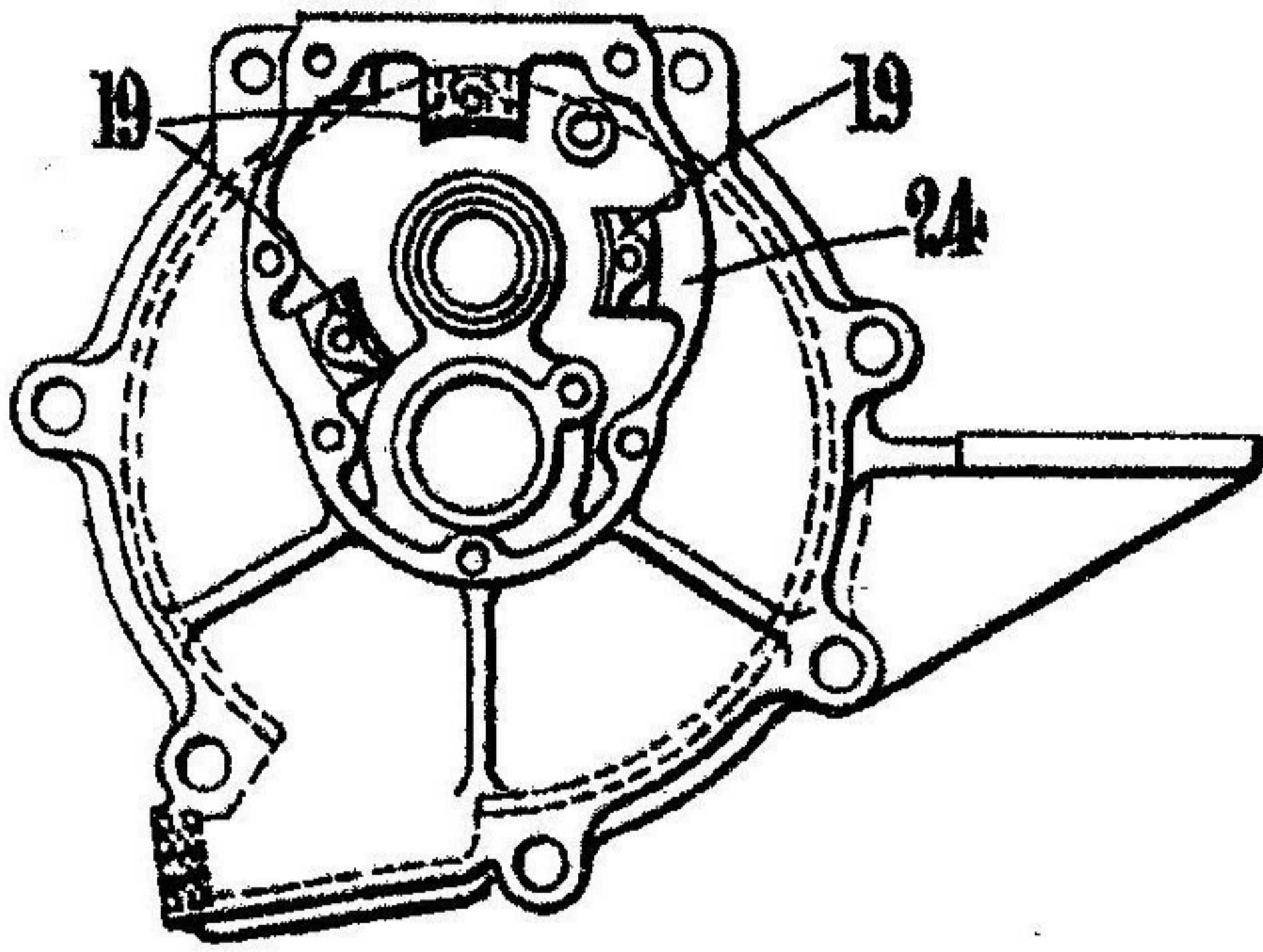


Fig. 5.

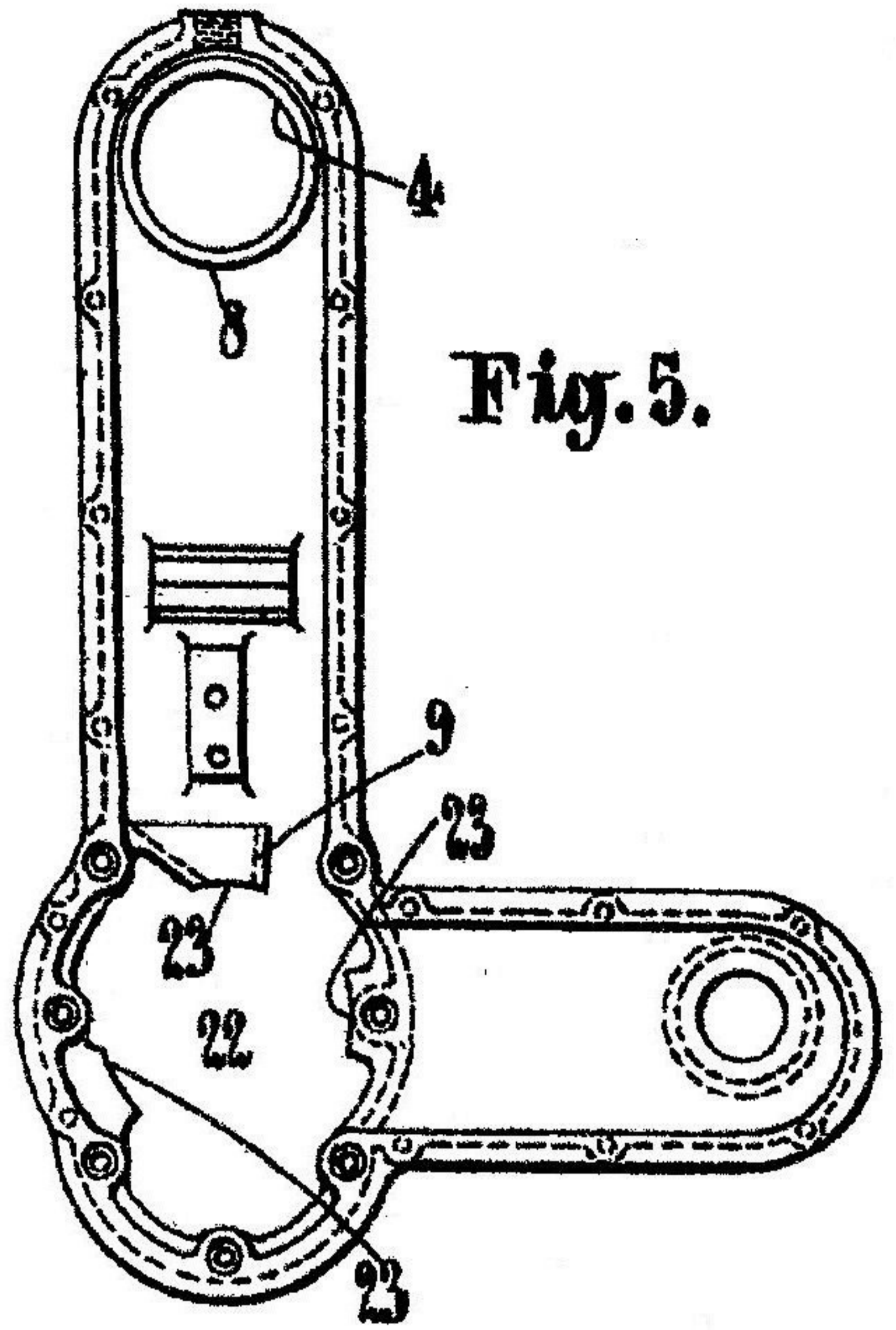


Fig. 4.

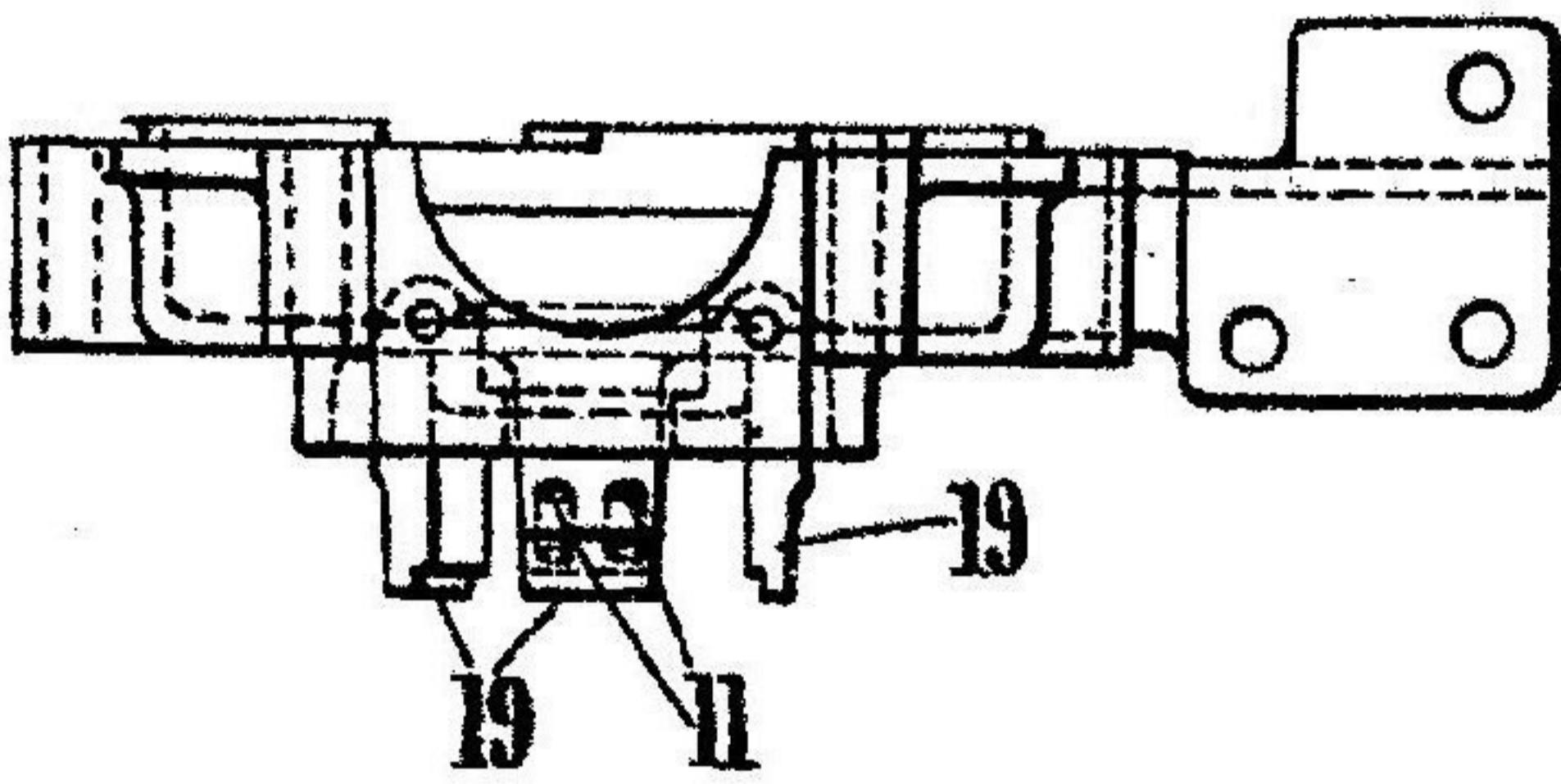


Fig. 6.

