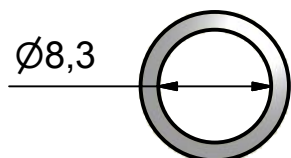
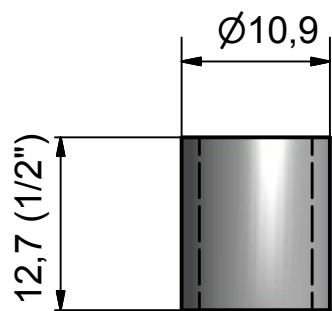
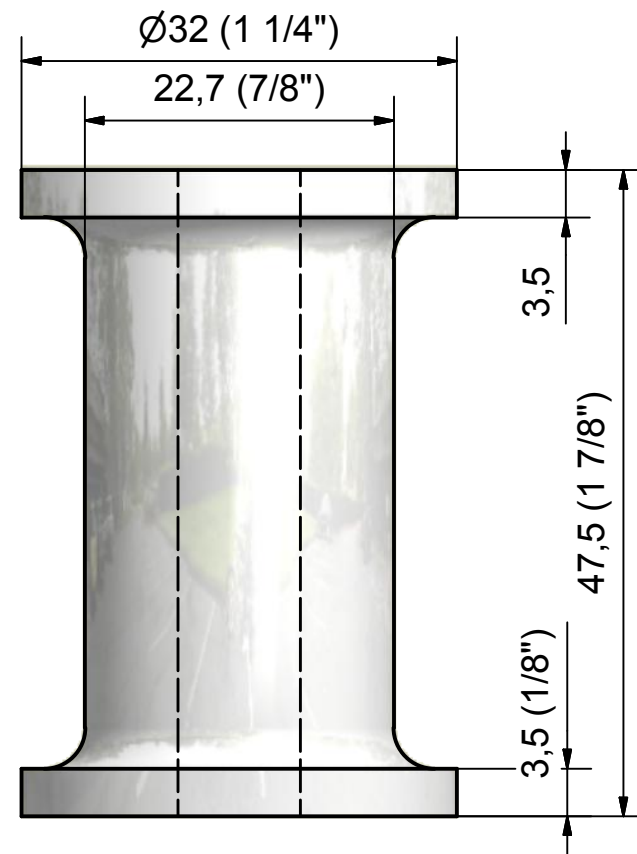


015412 BOLT  
FOR FRONT  
TANK FIXING

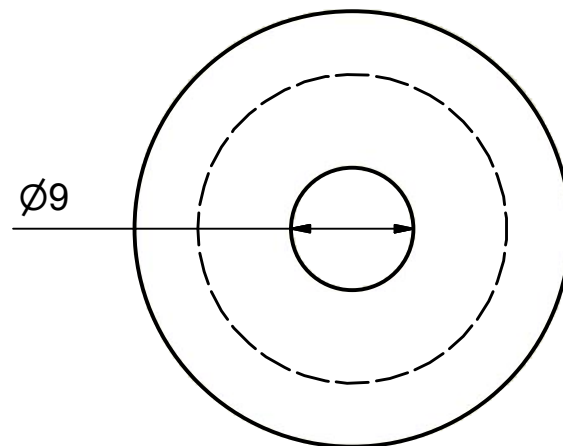
RUBBER PADS  
AVAILABLE MAY  
REQUIRE A SLIGHTLY  
LONGER BOLT (+ 1/8\"")



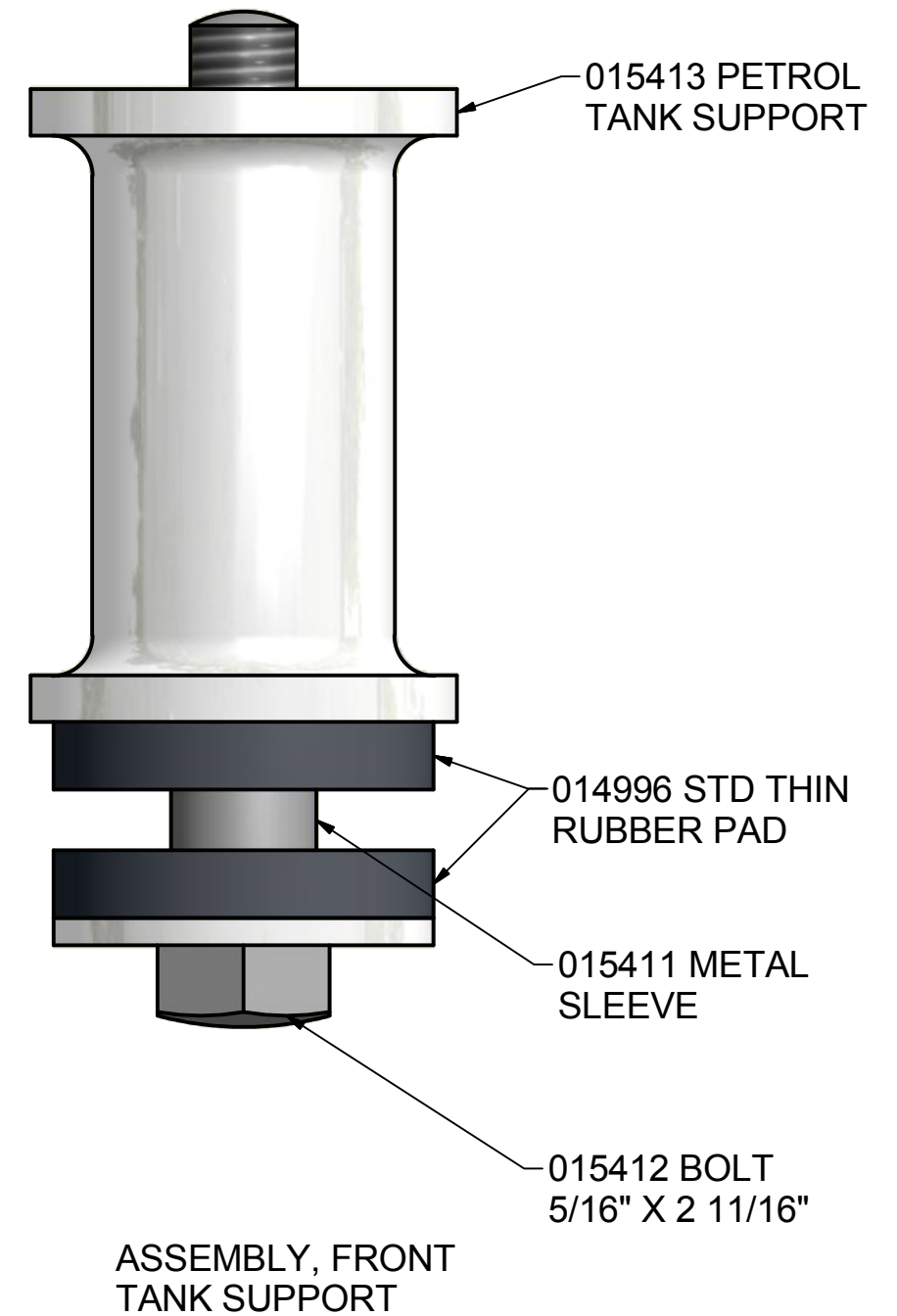
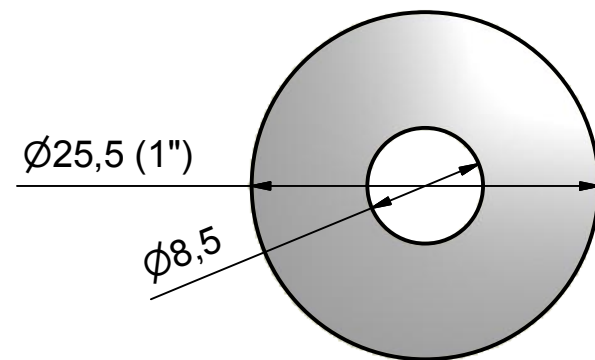
015411 SLEEVE, TANK  
SUPPORT. ALSO USED  
ON REAR TANK SUPPORT



015413 PETROL TANK  
FRONT SUPPORT.  
MATERIAL: POLISHED  
ALUMINIUM



014999 STEEL WASHER  
ALSO USED FOR REAR  
TANK SUPPORT. SAME  
AS FOR STANDARD MODELS



ASSEMBLY, FRONT  
TANK SUPPORT

Designed by A. Eriksen	Checked by	Approved by - date	Date 01.04.2012
AJS - MATCHLESS COMPETITION 50-53		PETROL TANK FRONT SUPPORT	
		015411-13	Edition