

SPARES LIST No. CE 825B

LUCAS

Quality

EQUIPMENT

&

SPARE PARTS



1957

A.M.C.

(A.J.S. — MATCHLESS)

MOTOR CYCLES

JOSEPH LUCAS (SALES & SERVICE) LTD · BIRMINGHAM 18 · ENGLAND

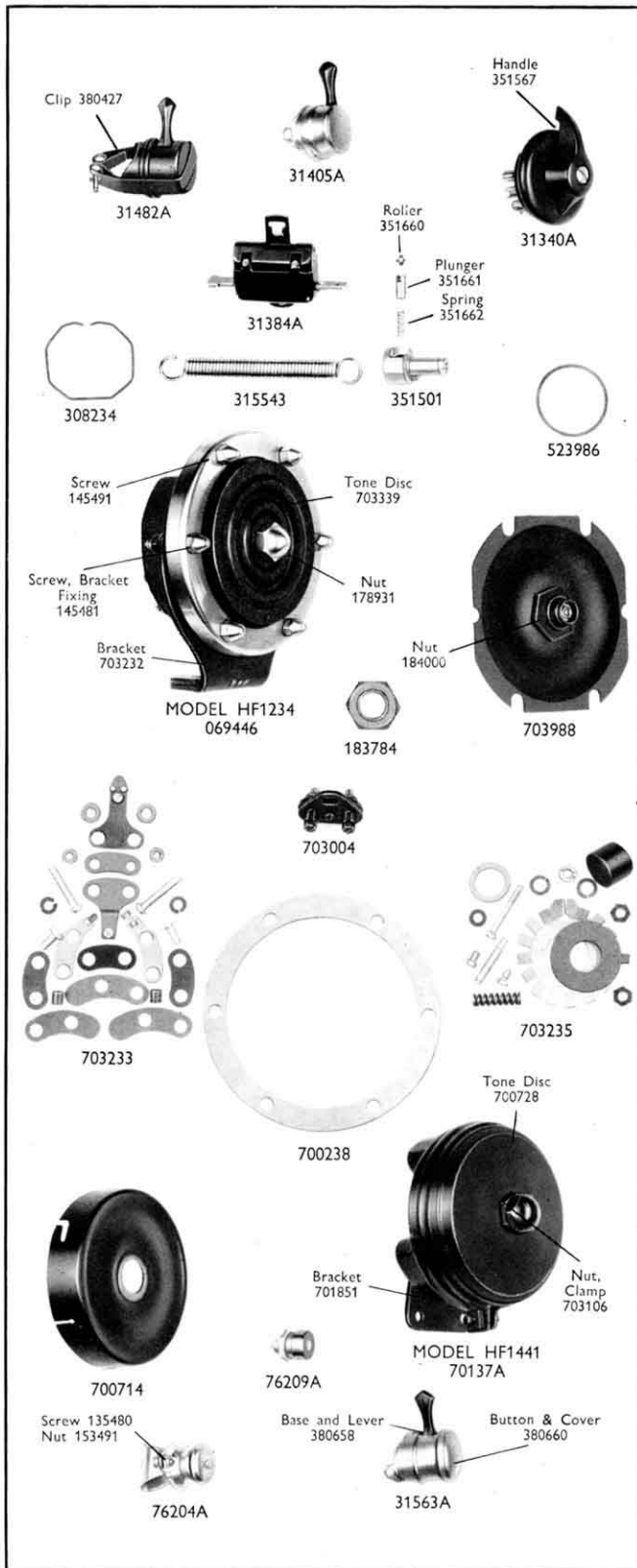
Compiled and issued by Technical Records Department, Joseph Lucas (Sales & Service) Ltd., Great Hampton Street, Birmingham, 18
COPYRIGHT.—All rights reserved. No part of this publication may be reproduced without permission

This scan is explicit for non-commercial use and is not intended for financial or material gain by anyone

EQUIPMENT SPECIFICATIONS AND PAGE INDEX

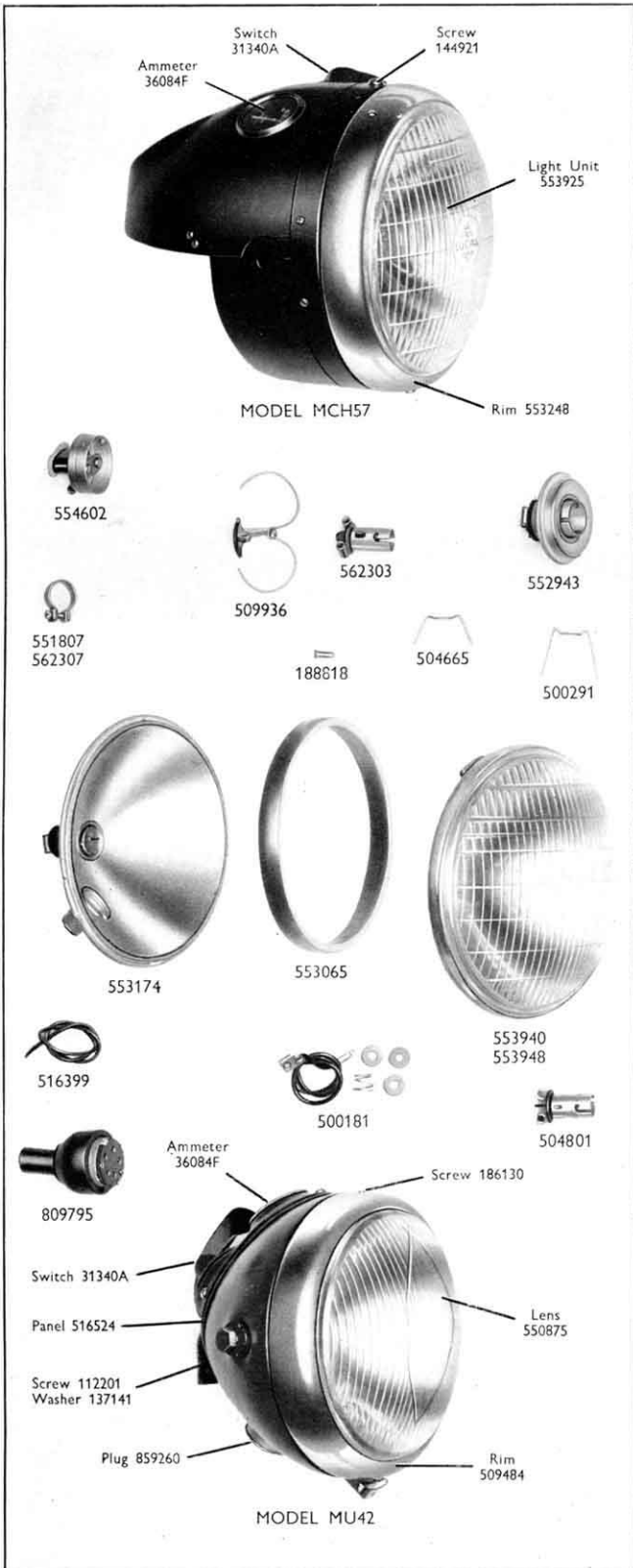
DESCRIPTION	For details or illustrations See page	Single Cylinder Models A.J.S. 350 c.c. '16MS'; 500 c.c. '185' Matchless 350 c.c. 'G3LS'; 500 c.c. 'G805'		Twin Cylinder Models A.J.S. 500 c.c. '20'; 600 c.c. '30' Matchless 500 c.c. 'G9'; 600 c.c. 'G11'		Racing Models A.J.S. 7R (Single) Matchless 'G45' (Twin)			
		Competition Models (Single Cylinder) A.J.S. '16MCT', '16MCS' and '18CS' Trials and Scrambles Matchless 'G3LCT', 'G3LCS' and 'G80CS' Trials and Scrambles		Model	Part No.	Model	Part No.	Model	Part No.
		Model	Part No.	Model	Part No.	Model	Part No.	Model	Part No.
AMMETER	5	CZU27	36084F	CZU27	36084F	—	—		
BATTERY	—	PUZ7E-11	—	PUZ7E-11	—	—	—		
" (Competition)	—	PUZ7E-9	—	—	—	—	—		
CABLE	—	—	837351	—	837351	—	—		
" (Competition)	—	—	838671	—	—	—	—		
CONTROL BOX	5	MCR2	37224A	MCR2	37223A	—	—		
" " (Competition)	5	MCR2	37144A	—	—	—	—		
GENERATOR	8	E3N	20028B	E3L	20035A	—	—		
" " (later)	8	E3N	20038B	—	—	—	—		
HORN	3	HF1441	70137A	HF1441	70137A	—	—		
" (Competition)	3	HF1234	069446	—	—	—	—		
HORN PUSH									
(Export, except Holland)	3	HP26	76209A	HP26	76209A	—	—		
Competition)	3	4A	76204A	—	—	—	—		
LAMPS									
Head									
Home and Export (except destinations listed) ...	4	MCH57	51655A	MCH57	51655A	—	—		
Export, Europe not France	4	MCH57	51658A	MCH57	51658A	—	—		
Export, France	4	MCH57EF	51656A	MCH57EF	51656A	—	—		
Competition models	4	MU42	50791D	—	—	—	—		
Side	5	516	52224A	516	52224A	—	—		
Stop tail, number plate and reflex (except competition models)	5	564	53432B	564	53432B	—	—		
Stop tail and number plate (Competition models) ...	5	529	53429A	—	—	—	—		
MAGNETOS	6-8	SR1	42294A	K2F	42230D	SRR1	42357A (7R)		
" (Competition)	7	NR1	42179N	—	—	SRR2F	42355A (G45)		
" (Competition, alternative)	7	NC1	42347A/D	—	—	—	—		
AUTO ADVANCE UNIT	6	—	†47541D	—	—	—	—		
" " "	6	—	†47544D	—	—	—	—		
SWITCHES									
Dipper (Export, except Holland)	3	9	31405A	9	31405A	—	—		
" (Competition)	3	9	31482A	—	—	—	—		
Horn push and dipper (Home and Export, Holland, except Competition)	3	25SA	31563A	25SA	31563A	—	—		
Lighting	3	U39	31340A	U39	31340A	—	—		
Stop lamp	3	22B	31384A	22B	31384A	—	—		
Spring	3	—	315543	—	315543	—	—		

†500 c.c. Models. †350 c.c. Models.



DIPPER SWITCH			
Model		9	9
Ordering No.		31405A	31482A
Detailed Parts			
Screw, fixing	100521	—
§Clip assembly	—	380427
§Screw, terminal	120610	120610
Cover	380467	—
LIGHTING SWITCH			
Model		U39	
Ordering No.		31340A	
Detailed Parts			
§Handle, with fixing screw	351567	—
Screw, fixing	101893	—
Shaft head piece	351501	—
Roller contact	351660	—
Plunger, contact	351661	—
Spring, contact plunger	351662	—
§Screw, terminal	120560	—
Spring, switch fixing	308234	—
§Ring, rubber switch fixing	523986	—
Washer, locking, handle fixing screw	188408	—
Nut, contact stud	166103	—
HORNS			
Model		HF1234	HF1441
Ordering No.		069446	70137A
Detailed Parts			
§Bracket	703232	701851
Tone disc	703339	700728
Screw, bracket fixing	145481	—
Screw, cover fixing	145491	—
Nut, tone disc	—	703106
Nut, clamp, front, domed	178931	178931
§Diaphragm	703988	700714
Nut, diaphragm fixing	184000	184000
Washer, diaphragm packing	700238	—
§Contact set	703233	703233
Terminal block	703004	703004
§Sundry parts set	703235	703235
HORN PUSH			
Model		4A	
Ordering No.		76204A	
Detailed Parts			
§Screw, terminal	119520	—
§Screw, fixing	135480	—
§Nut, fixing	153491	—
HORN PUSH AND DIPPER SWITCH			
Model		255A	
Ordering No.		31563A	
Detailed Parts			
Button and Cover	380660	—
Base and lever	380658	—
§Screw, terminal	120610	—

§Recommended stock item.



HEADLAMPS	Home & Export, Except destinations listed	Export, France	Export, Europe not France
	Model Ordering No.	MCH57 51655A	MCH57EF 51656A
Detailed Parts			
§Rim	553248	553248	553248
§ Wire, rim and light unit fixing	504665	504665	504665
§Screw, rim fixing	144921	144921	144921
Plate, securing rim fixing screw	554408	554408	554408
§Ammeter	36084	36084	36084
§ Ring, rubber	523986	523986	523986
§ Nut, terminal	166043	166043	166043
§ Washer, lock	185022	185022	185022
§Switch	31340	31340	31340
Handle with fixing screw	351567	351567	351567
Screw fixing	101893	101893	101893
Shaft, headpiece	351501	351501	351501
Roller, contact	351660	351660	351660
Plunger, contact	351661	351661	351661
Spring, contact plunger	351662	351662	351662
§Screw, terminal	120560	120560	120560
Spring switch, fixing	308234	308234	308234
§ Ring rubber, switch fixing	523986	523986	523986
Washer, locking handle fixing screw	188408	188408	188408
Nut, contact stud	166103	166103	166103
§Light unit	553925	553948	553940
§Backshell	—	552943	—
§ Bulbholder, main	—	562306	—
§Bulbholder, main	554602	—	554602
Clip and screw, bulbholder	—	562306	—
§ Sleeve, terminal	188818	188818	188818
Nut, top shell to bottom shell fixing	177014	177014	177014
Washer	188329	188329	188329
Screw, top shell to fixing ring	144921	144921	144921
Nut, for top shell screw	166103	166103	166103
Washer	188412	188412	188412
§Bulb, main	312	—	403

HEADLAMP	Model Ordering No.	MU42 50791D
	Detailed Parts	
§Panel assembly	—	516524
Screw, panel fixing	—	186130
§Ammeter	—	36084
§ Rubber, ring	—	523986
§ Nut, terminal	—	166043
§ Washer, lock	—	185022
§Switch	—	31340
§ Handle with fixing screw	—	351567
Screw, fixing	—	101893
§ Shaft, headpiece	—	351501
§ Roller, contact	—	351660
§ Plunger, contact	—	351661
§ Spring, contact plunger	—	351662
§Screw, terminal	—	120560
§ Spring, switch fixing	—	308234
§ Ring, rubber, switch fixing	—	523986
§ Washer, locking handle fixing screw	—	188408
Nut, contact stud	—	166103
Screw, cable clip	—	186128
Washer, cable clip screw	—	188453
§Rim, complete with lens	—	509484
§ Wire set, lens fixing	—	509753/S
§ Lens	—	550875
§Bead, rubber	—	553065
§Reflector	—	553147
§ Bulbholder, main	—	504801
§ Clip and screw, bulbholder	—	551807
§ Interior, pilot bulbholder	—	500181
Washer, cable grip	—	516285
§Bulb, main	—	168
§Bulb, pilot	—	200
§Catch	—	509936
Spring	—	509191
§Screw, lamp fixing	—	112201
Washer, lamp fixing screw	—	137141
§Sleeve, terminal	—	188818
§Plug	—	859260
Screw, plug fixing	—	133303
Nut, plug fixing screw	—	166103
Washer, plug fixing screw	—	185012
Ring, plug retaining	—	516409
§Socket	—	*809795

§Recommended stock item.
*Order separately.

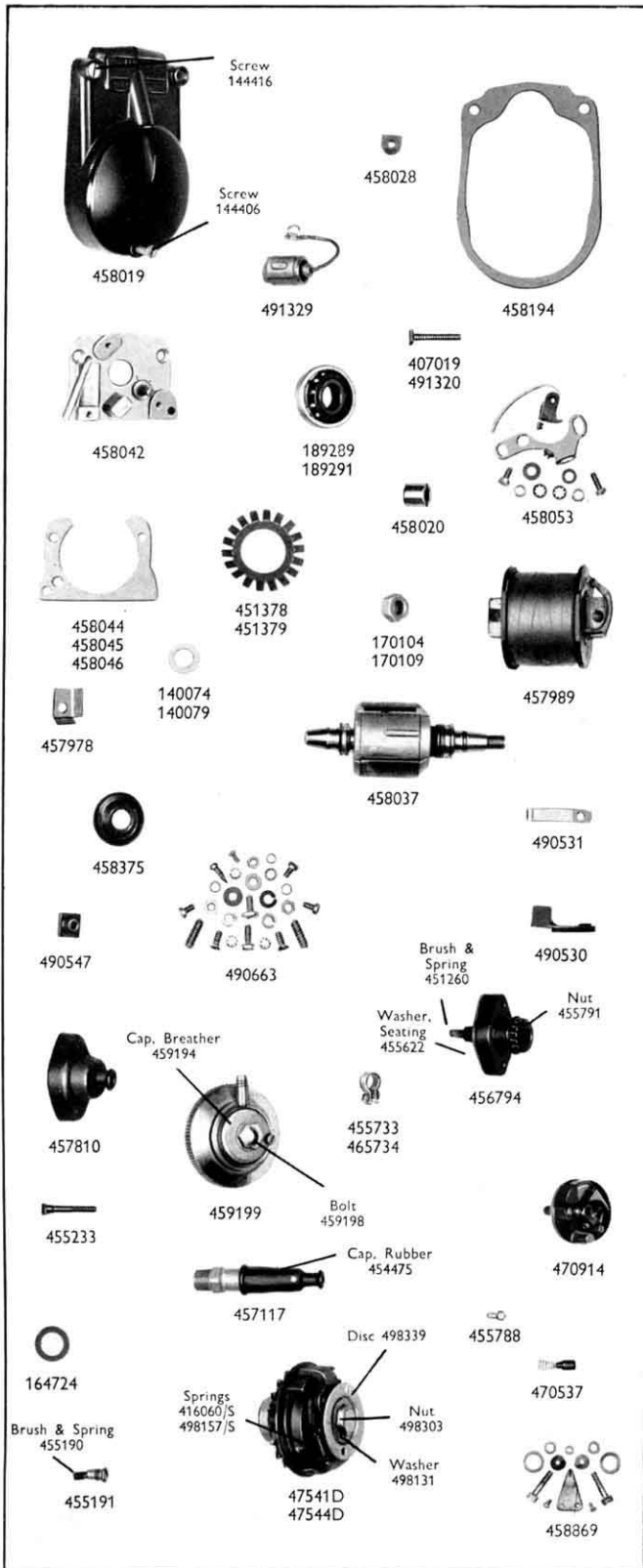
This scan is explicit for non-commercial use and is not intended for financial or material gain by anyone



SIDE LAMP			
Model	516		
Ordering No.	52224A		
Detailed Parts			
§Screw, bulbholder	116141
§Washer, retaining screw	161385
§Rim or door	573646
§Rubber, lens seating	573619
§Lens	573615
§Bracket with bulbholder	573624
§ Interior	553780
§Nut, lamp fixing	181261
§Base, lamp mounting	516719
§Bulb	988
§Bolt, lamp fixing	520325
§Base, lamp seating	573616
§Washer, lamp fixing nut	185085
STOP TAIL, REFLEX AND NUMBER PLATE LAMP			
Model	564		
Ordering No.	53432B		
Detailed Parts			
§Lens	573839
§Window	575200
§Nut, barrel, lens fixing	575219
§Gasket, lens seating	575208
§Base assembly	576002
§ Grommet, bulbholder	575207
§ Bulbholder, shell	575209
§Interior, bulbholder	573828
§Bulb	384
§Grommet, cable	573825
§Nut, lamp fixing	166014
§Washer, shakeproof	188327
§Washer, fixing bolt, spacer	131023
STOP TAIL AND NUMBER PLATE LAMP			
Model	529		
Ordering No.	53429A		
Detailed Parts			
§Lens	526404
§Window	526406
§Screw, fixing	133551
§Base with bulbholder and bracket	526421
§ Bulbholder	526418
§ Interior, bulbholder	573828
§Base, rubber	526415
§Screw, base fixing	526410
§Washer, screw retaining	161020
§Nut, base screw	166103
§Washer, securing nut	188412
§Bulb	384
CONTROL BOX			
Model	MCR2	MCR2	MCR2
Ordering No.	37144A	37223A	37224A
Detailed Parts			
§Cover ...	391454	391454	391454
§Clip, cover fixing ...	391453	391453	391453
§Regulator ...	33141A	33109B	33141A
§Screw, regulator fixing ...	100384	100384	100384
§Washer, regulator fixing screw ...	185038	185038	185038
§Clamping plate ...	390387	390387	390387
§Screw, fixing ...	132504	132504	132504
§Screw, adjusting ...	390794	390794	390794
§Nut, adjusting screw ...	390529	390529	390529
AMMETER			
Model	CZU27		
Ordering No.	36084F		
Detailed Parts			
§Nut, terminal	166043
§Washer, terminal	185022
§Ring, rubber	523986

§Recommended stock item.

This scan is explicit for non-commercial use and is not intended for financial or material gain by anyone

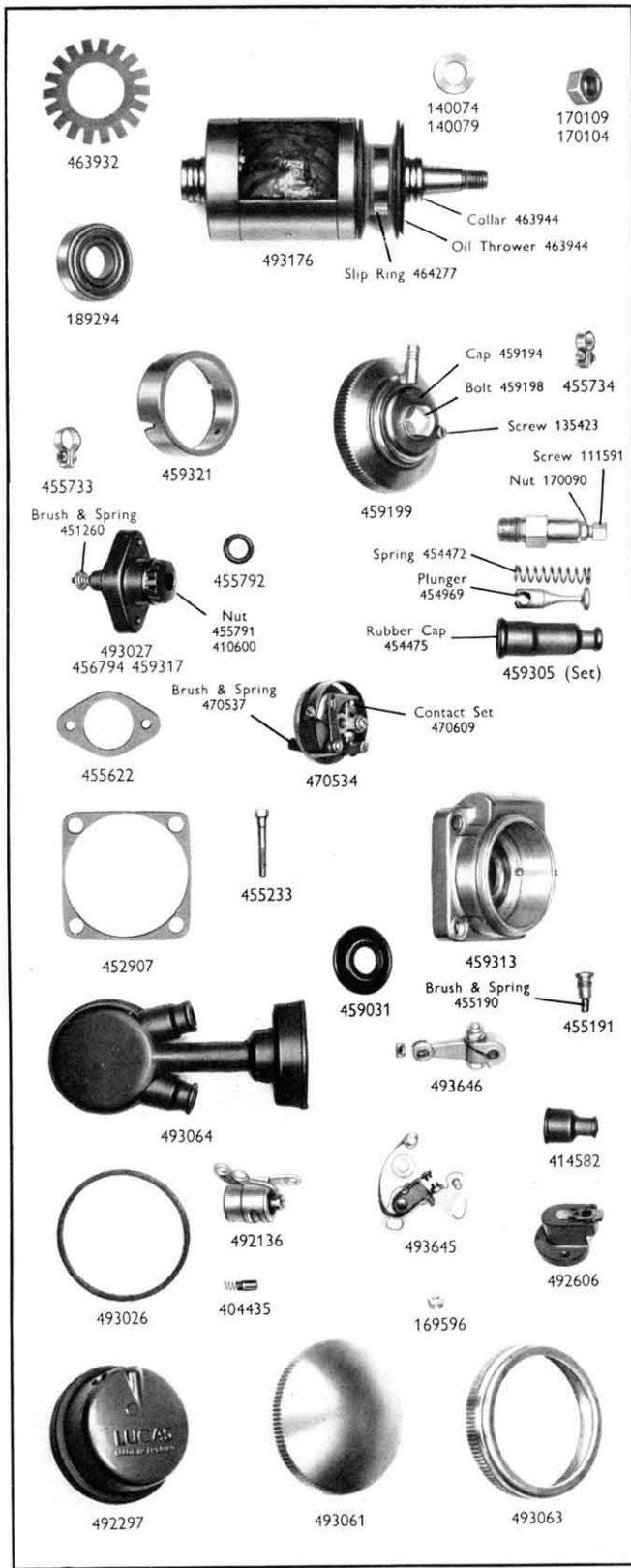


MAGNETO		
Model	SR1	
Ordering No.	42294A	
Detailed Parts		
§Cover	458019	
§ Gasket, rubberised cork	458194	
Screw, cover fixing, short	144416	
Screw, cover fixing, long	144406	
Terminal, low tension	491320	
Bush, low tension terminal, insulating	458028	
§Condenser	491329	
§Contact set	458053	
Lubricating pad	458040	
§Plate, contact breaker end	458042	
§Bearing, contact breaker end	189289	
§Cup, bearing insulating	451378	
Shim, .003" packing	458044	
Shim, .005" packing	458045	
Shim, .010" packing	458046	
§Cam	458020	
§Nut, shaft	170109	
Washer, shaft nut	140079	
Magnetic rotor	458037	
Plate, D.E. cover	492600	
§Bearing, drive end	189291	
§Cup, bearing insulating	451379	
§Oil seal	458375	
§Coil, wound	457989	
Terminal, cut out	407019	
Insulating cushion, cut out terminal	457978	
Insulating piece, cut out terminal	490547	
Strip, earthing	490531	
Cover, rubber, earthing terminal	490530	
§Sundry parts set	490530	

MAGNETO		
Model	NR1	
Ordering No.	42179N	
Detailed Parts		
§Cover, rubber, pickup	457810	
Clip, pickup cover	455733	
§Pickup assembly	456794	
§ Brush and spring	451260	
§ Nut, moulded	455791	
§ Washer, pickup seating	455622	
§Cover, contact breaker	459199	
Bolt, centre fixing	459198	
Cap, breather	459194	
Ring, rubber	457681	
Screw, drain plug	135423	
Screw, contact breaker fixing	455233	
§Contact breaker	470914	
§ Brush and spring, earth	470537	
§Control parts set	457117	
Cap, rubber	454475	
Clip, cap	455734	
Washer, barrel seating	164724	
Nipple	455788	
§Nut, shaft	170104	
Washer, shaft	140074	
§Brush spring and holder, magneto earth	455191	
§Brush and spring, magneto earth	455190	
§Sundry parts set	458869	

AUTO ADVANCE UNITS			
Ordering No.	47544D	47541D	
Detailed Parts			
§Spring	498157/S	416060/S	
Washer, cover clip	498131	498131	
Washer, disc cover	498339	498339	
Nut, fixing	498303	498303	

§Recommended stock item.



MAGNETOS

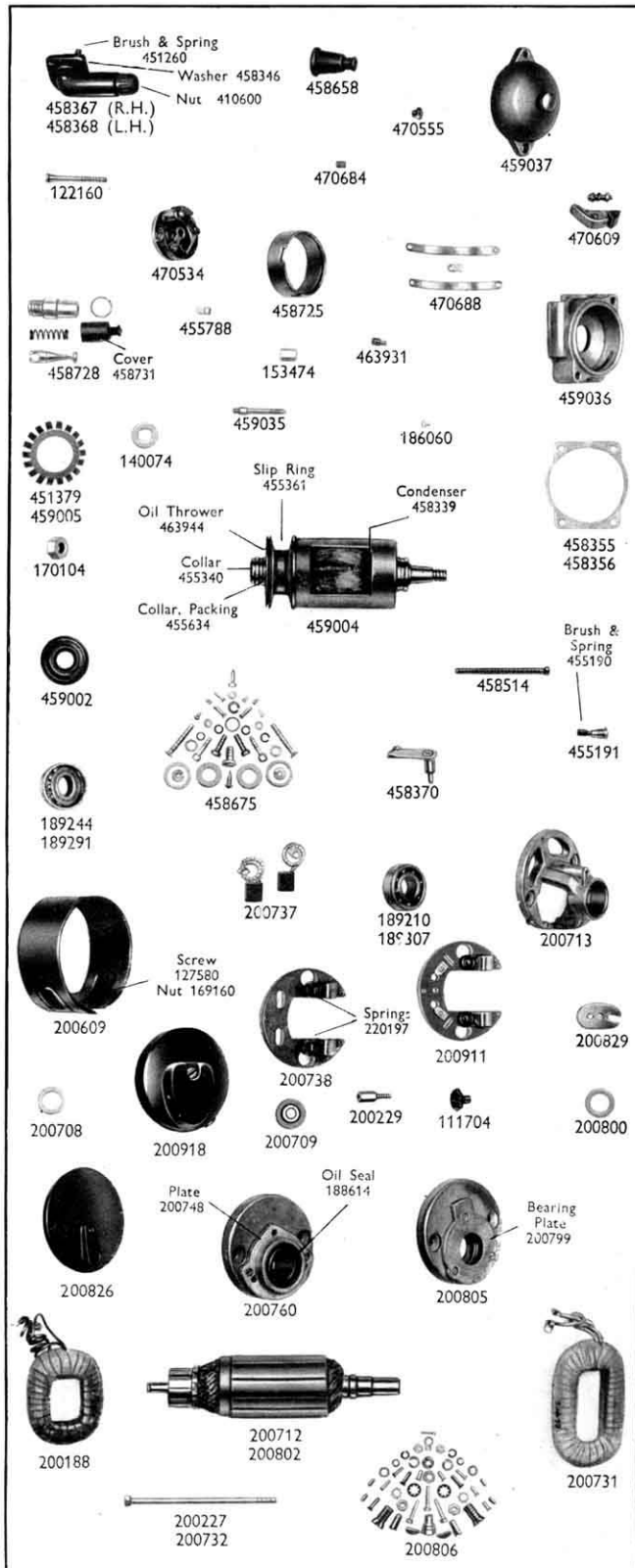
Model Ordering No.	SRR2 42355A/B	SRR1 42357A
Detailed Parts		
§Cover, C.B.	—	492297
Ring, sealing	—	493026
Cover, rubber	493064	—
Ring, dist. cover securing	493063	—
§Cover, distributor	493061	—
Ring, rubber, cover seating	493026	—
§ Brush and spring	404435	—
§ Grommet, distributor lead	414582	—
§Rotor arm	492606	—
§Condenser	492136	492136
§Contact set	493645	493645
§Pickup	493027	493027
§ Nut, moulded	455791	455791
Ring, rubber, pickup seating	455792	455792
Washer, pickup seating	455622	455622
Nut, pickup securing	169596	169596
Cover, rubber pickup	—	457810
Lever, timing	493646	493646
§Nut, shaft	170109	170109
Washer, nut, shaft	140079	140079

MAGNETO

Model Ordering No.	NC1 42347A/D
Detailed Parts	
§Cover, rubber, pickup	457810
Clip, pickup cover	455733
§Pickup assembly	456794
§ Brush and spring	451260
§ Nut, moulded	410600
§ Washer, pickup seating	458877
§Cover, contact breaker	459199
Ring, rubber	457681
Screw, drain plug	135423
Bolt, centre fixing	459198
Cap, breather	459194
Screw, contact breaker fixing	455233
§Contact breaker	470534
§ Contact set	470609
§ Brush and spring, earth	470537
§ Springs, set, actuating	470688
Bush, insulating, centre of C.B.	470555
Bush insulating, contact screw block	470684
§Control parts set	459305
Spring	454472
Cap, rubber	454475
Clip, cap	455734
Washer, barrel seating	164724
Flunger	454969
Nipple	455788
Screw, adjusting	111591
Nut, adjusting screw	170090
§Plate, contact breaker end	459313
Shim, contact breaker end, packing	452907
§Cam	459321
§Nut, shaft	170104
Washer, shaft	140074
§Armature	493176
§ Slip ring	464277
Oil thrower	463944
Collar, steel bearing retaining	455340
§Bearing, contact breaker end	189294
§Bearing, drive end	189294
§Oil seal, drive end	459031
§Cup, bearing insulating C.B. & D.E.	463932
§Brush spring and holder, magneto earth	455191
§Brush and spring, magneto earth	455190
§Sundry parts set	458869

§Recommended stock item.

This scan is explicit for non-commercial use and is not intended for financial or material gain by anyone



MAGNETO	
Model Ordering No.	K2F 422308 /D
Detailed Parts	
§ Pickup, right hand	458367
§ Pickup, left hand	458368
§ Washer, seating	458346
§ Brush and spring	451260
§ Nut, moulded	410600
§ Grommet, rubber	458658
§ Cover	459037
§ Screw, taper head, contact breaker fixing	122160
§ Contact breaker	470534
§ Bush, insulating, centre of contact breaker	470555
§ Bush, insulating, contact screw block ...	470684
§ Contact set	470609
§ Spring, set, actuating	470688
§ Brush and spring	470537
§ Control parts, set	458728
§ Spring	458732
§ Nipple, cable	457788
§ Cap, rubber	458731
§ Cam	458725
§ Plate, with bearing ring	459036
§ Cup, bearing insulating	451379
§ Stud, special, end plate breaking	459035
§ Nut, special, contact breaker cover fixing	153474
§ Screw, eccentric tip, cam fixing	463931
§ Pin, special, cam timing screw	186060
§ Washer, .003" shim, end plate packing ...	458355
§ Washer, .005" shim, end plate packing ...	458356
§ Nut, ½" B.S.F. shaft	170104
§ Washer, 13/32" plain, shaft	140074
§ Armature	459004
§ Slip ring	455361
§ Bolt, 2 B.A. x 2¼", through fixing	458514
§ Condenser	458339
§ Oil thrower	463944
§ Collar, steel, packing	455634
§ Collar, steel, bearing retaining	455340
§ Bearing, contact breaker end	189291
§ Bearing, drive end	198244
§ Cup, bearing insulating	459005
§ Oil seal, rubber	459002
§ Brush spring and holder, earth	455191
§ Brush and spring, earth	455190
§ Spring and pin, pickup	458370
§ Sundry parts, set	458675

GENERATOR			
Model Ordering No.	E3N 20028D	E3L 20035A	E3N 20038B
Detailed Parts			
§ Cover band	200609	—	—
§ Screw, cover band	127580	—	—
§ Nut, cover band fixing	169160	—	—
§ Brushes, set	200737	200737	200737
§ Bracket or frame, commutator end	200713	200910	200910
§ Bearing	189210	189210	189210
§ Washer, felt bearing	200708	200708	200708
§ Cup, felt bearing washer	200709	200709	200709
§ Insulating plate, with brush boxes	200738	200911	200911
§ Spring, set, brush tension	220197	220197	220197
§ Ring sealing, rubber	—	200904	200904
§ Grommet, cable	—	200895	200895
§ Cover, commutator end	200826	200918	200918
§ Terminal pin	200229	—	—
§ Plate, clamp terminal	200829	200908	200908
§ Bearing, drive end	189307	189307	189307
§ Bracket or frame, drive end	200805	200760	200805
§ Plate, bearing	200799	200748	200799
§ Oil seal	—	188614	—
§ Screw, gear retaining	—	111704	—
§ Nut, bearing retaining	200800	—	200800
§ Armature	200802	200712	200802
§ Field coils, set	200188	200731	200188
§ Bolt, through fixing	200227	200732	200227
§ Sundry parts set	200806	200806	200806

§Recommended stock item.

This scan is explicit for non-commercial use and is not intended for financial or material gain by anyone