

CE 825/63



LUCAS QUALITY
EQUIPMENT AND
SPARE PARTS

1963 - A.M.C.
(A.J.S. — MATCHLESS)

JOSEPH LUCAS (Sales & Service) LIMITED
BIRMINGHAM 18 · ENGLAND

Compiled and issued by Parts Publications, Technical Records Department, Joseph Lucas (Sales and Service) Ltd., Great Hampton Street, Birmingham 18
COPYRIGHT.—All rights reserved. No part of this publication may be reproduced without permission



EQUIPMENT SPECIFICATIONS AND PAGE INDEX

EQUIPMENT SPECIFICATIONS AND PAGE INDEX

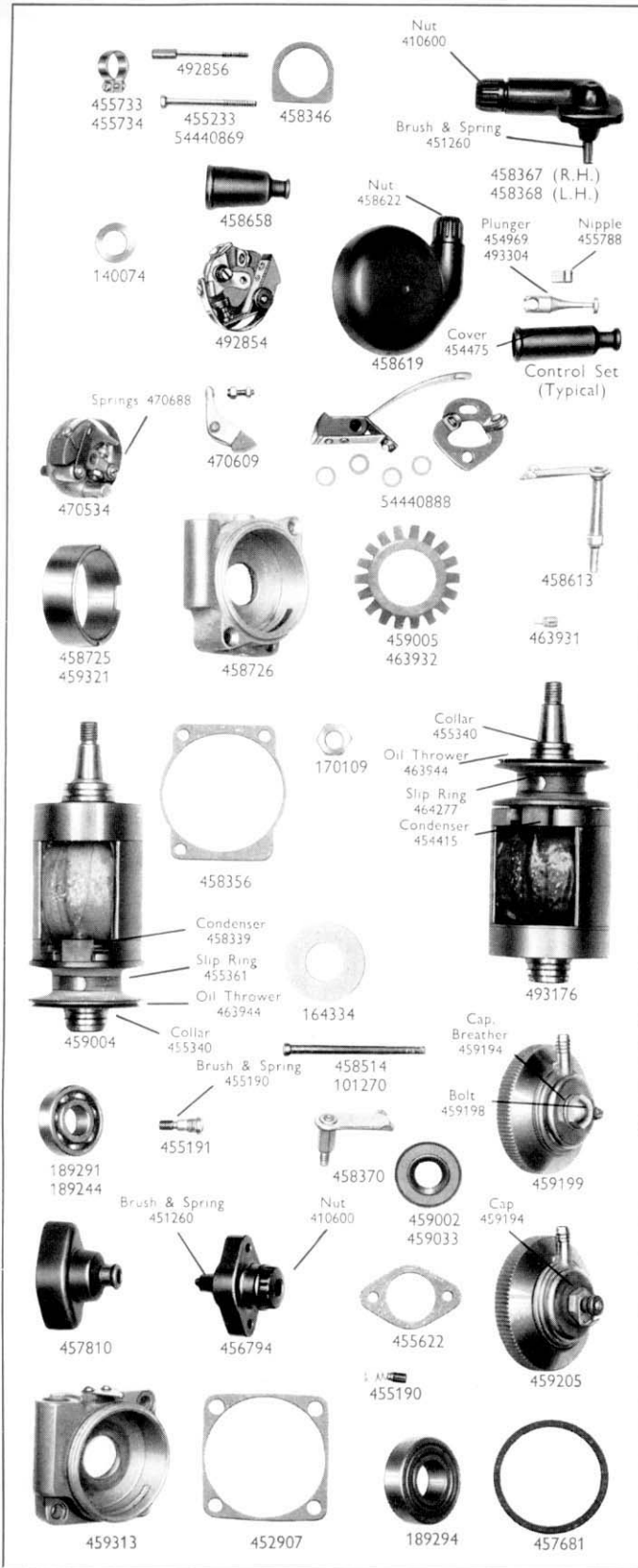
| UNIT | See Page | Single Cylinder Models Competition | | Single Cylinder Models C.C. Competitors | | Twin Cylinder Models Competition | | Twin Cylinder Models (Coil Ignition) | | Twin Cylinder Models (Open Magneto Ignition) | |
|--------------------------------------|----------|------------------------------------|-------------------|---|-------------------|----------------------------------|-------------------|--------------------------------------|-----------------|--|-----------------|
| | | Model | Part No. | Model | Part No. | Model | Part No. | Model | Part No. | Model | Part No. |
| ALTERNATOR | 7 | — | — | RM15 | *54021018 | RM15 | *54021018 | RM15 | *047534 | RM15 | *54021018 |
| Stator | 7 | — | — | — | 47154A | — | — | — | 47154A | — | 47154A |
| Rotor | 7 | — | — | — | 423506 | — | — | — | 423506 | — | 423506 |
| ALTERNATOR (later) | 7 | — | — | RM19 | *54021027 | RM19 | *54021027 | RM19 | *54021027 | RM19 | *54021027 |
| Stator | 7 | — | — | — | 47164A | — | — | — | 47164A | — | 47164A |
| Rotor | 7 | — | — | — | 54213901 | — | — | — | 54213901 | — | 54213901 |
| AMMETER | 6 | CZU27 | ‡36084F | CZU27 | ‡36084F | CZU27 | ‡36084F | CZU27 | ‡36084F | CZU27 | ‡36084F |
| AMMETER (later) | 6 | 2AR | ‡36296A | 2AR | ‡36296A | 2AR | ‡36296A | 2AR | ‡36296A | 2AR | ‡36296A |
| BATTERY | — | PUZ7E-11 | — | MLZ9E | — | PUZ7E-11 | — | PUZ7E-11 | — | PUZ7E-11 | — |
| CABLE HARNESS | 5 | — | — | — | 54932304 | — | — | — | 54932305 | — | 54932306 |
| CABLE HARNESS (later) | 5 | — | — | — | — | — | — | — | — | — | — |
| CABLE HARNESS (U.S.A.) | 5 | — | — | — | — | — | — | — | — | — | — |
| CABLE HARNESS (U.S.A.—later) | 5 | — | — | — | — | — | — | — | — | — | — |
| CONTROL BOX | 6 | RB108 | 37232J/K | — | — | — | — | — | — | — | — |
| COIL, IGNITION | 7 | — | — | MA6 | 45077E | — | — | MA6 | 45077E | — | — |
| COIL, IGNITION (later) | 7 | — | — | MA6 | 45152B | — | — | MA6 | 45152B | — | — |
| CONTACT BREAKER, 350 c.c. | 7 | — | — | CA1A | 47595A | — | — | — | — | — | — |
| CONTACT BREAKER, 500 c.c. | 7 | — | — | CA1A | 47579H | — | — | — | — | — | — |
| DISTRIBUTOR | 7 | — | — | — | — | — | — | — | — | — | — |
| GENERATOR | 7 | E3N | 20038B | — | — | — | — | — | — | — | — |
| HORN | 6 | 8H | 70163A | 8H | 70163A | 8H | 70163A | 8H | 70163A | 8H | 70163A |
| HORN PUSH & DIPPER SWITCH | 6 | 255A | 31563D | 255A | 31563D | 255A | 31563D | 255A | 31563D | 255A | 31563D |
| LAMPS | 4 & 5 | SSU700P | 58234D | SS700P | 58829A/B | SS700P | 58829A/B | MCH61 | 58702A/B | MCH61 | 58704A/B |
| Head | 4 | SSU700P | 58859A | — | — | — | — | F700P | 58258R | — | — |
| Home and Export | 4 | — | — | — | — | — | — | MCH61 | 58830A/B | MCH61 | 58830A/B |
| Export Europe, not France | 4 | — | — | — | — | — | — | MCH61 | 58831A/B | MCH61 | 58831A/B |
| Export U.S.A. | 4 | — | — | — | — | — | — | SS700P | 58556A | — | — |
| Export U.S.A. (later) | 5 | 564 | 53432B | 564 | 53432B | 564 | 53432B | 564 | 53432B | 564 | 53432B |
| Stop tail, number plate and reflex | 5 | — | — | — | — | — | — | K2F | *42264D (42380) | K2F | *42264D (42380) |
| MAGNETO | 3 | NC1 | *42347D/E (42371) | NC1 | *42347D/E (42371) | NC1 | *42347D/E (42371) | — | — | — | — |
| MAGNETO (U.S.A.) | 3 | NC1 | 42371B | NC1 | 42371B | NC1 | 42371B | — | — | — | — |
| RECTIFIER | 7 | — | — | 2DS506 | 49072A | 2DS506 | 49072A | 2DS506 | 49072A | 2DS506 | 49072A |
| RECTIFIER (later) | 7 | — | — | — | — | — | — | — | — | — | — |
| SWITCHES | 6 | 41SA | *31754B (31763) | 41SA | 885A | 41SA | 885A | 4A | 76204D | 4A | 76204D |
| Cut-out | 6 | — | — | — | — | — | — | 885A | ‡34289A | 885A | ‡34289A |
| Lighting | 6 | — | — | — | — | — | — | — | — | — | — |
| Knob (supplied separately) | 6 | — | — | — | — | — | — | — | — | — | — |
| Lighting | 6 | — | — | — | — | — | — | — | — | — | — |
| Ignition | 6 | — | — | — | — | — | — | — | — | — | — |
| Knob (supplied separately) | 6 | — | — | — | — | — | — | — | — | — | — |
| Ignition (later) | 6 | — | — | — | — | — | — | — | — | — | — |
| Stop lamp | 6 | 22B | 31384B | 22B | 31384B | 22B | 31384B | 22B | 31384B | 22B | 31384B |
| Spring | 6 | — | — | — | — | — | — | — | — | — | — |

*For reference only, serviced by Rotor and Stator. †When ordering, quote part number shown in brackets. ‡Sports Tourer. †Optional (less Ammeter and Lighting Switch)

This scan is explicit for non-commercial use and is not intended for financial or material gain by anyone



MAGNETOS



| Part No. Model | 42264D K2F | 42371B NC1 |
|--|------------|------------|
| Detailed Parts | | |
| Clip, fixing pick-up cover | 455734 | 455733 |
| Cover, pick-up (rubber) | 458658 | 457810 |
| §Pick-up | 456794 | 456794 |
| §Pick-up, right hand | 458367 | — |
| §Pick-up, left hand | 458368 | — |
| § Brush and spring | 451260 | 451260 |
| § Nut, moulded, high tension cable | 410600 | 410600 |
| § Washer, seating pick-up | 458346 | 455622 |
| Pin and spring, securing contact breaker cover | 458613 | — |
| §Cover, contact breaker | 458619 | 459205 |
| Ring, sealing, contact breaker cover (rubber) | 492856 | 457681 |
| Screw, drain plug | — | 135444 |
| Cap, breather or baffle | — | 459194 |
| Nut, terminal, securing cut-out cable | 458622 | — |
| Screw, fixing contact breaker | 492854 | 54440869 |
| §Contact breaker | 492854 | 492854 |
| § Contact set | 54440888 | 54440888 |
| Ring, retaining lever | 154660 | 154660 |
| Washer, insulating ring | 161673 | 161673 |
| Screw, fixing spring bracket | 100614 | 100614 |
| Washer, insulating bracket screw | 161681 | 161681 |
| Bush, insulating spring bracket | 492853 | 492853 |
| Bracket, spring supporting | 493202 | 493202 |
| §Control parts, set, advance and retard | 463107 | 459305 |
| Spring, control | 454472 | 454472 |
| Cover, rubber | 454475 | 454475 |
| Clip, cap securing | — | 455734 |
| Washer, barrel seating | — | 164724 |
| Plunger | 454969 | 493304 |
| Nipple | 455788 | 455788 |
| Screw, adjusting | 111591 | 111591 |
| Nut, screw adjusting | 170124 | 170124 |
| §Plate, housing contact breaker | 458726 | 459313 |
| § Cup, insulating breaker | 451379 | 463932 |
| Shim, .005" packing contact breaker housing | 458356 | 452907 |
| Screw, cam fixing | 463931 | 463931 |
| Pin, cam timing screw | 186060 | 186060 |
| §Cam | 458725 | 459321 |
| §Nut, securing gear to shaft | 170109 | 170109 |
| Washer, gear securing nut | 140074 | 140074 |
| §Armature | 459004 | 493176 |
| § Slip ring | 455361 | 459313 |
| Bolt, through fixing | 458514 | 101270 |
| Condenser | 458339 | 454415 |
| Thrower, oil | 463944 | 463944 |
| Collar, spacing drive end | 455340 | 455340 |
| Collar, retaining bearing | 455340 | — |
| §Bearing, contact breaker end | 189291 | 189294 |
| §Bearing, drive end | 189244 | 189294 |
| Pin and spring, securing pick-up | 458356 | — |
| §Seal, oil bearing | 459002 | 459033 |
| §Cup, insulating drive end bearing | 459005 | 459032 |
| §Brush, spring, holder, earthing | 455191 | 455191 |
| § Brush and spring, earthing | 455190 | 455190 |
| §Sundry parts, set | 458675 | 454697 |

| Part No. Model | 42347D NC1 | 42347E NC1 |
|---|------------|------------|
| Detailed Parts | | |
| Clip, fixing pick-up cover | 455733 | 455733 |
| Cover, pick-up (rubber) | 457810 | 457810 |
| §Pick-up | 456794 | 456794 |
| § Brush and spring | 451260 | 451260 |
| § Nut, moulded, high tension cable | 410600 | 410600 |
| § Washer, seating pick-up | 455622 | 455622 |
| §Cover, contact breaker | 459199 | 459199 |
| Ring, sealing, contact breaker cover (rubber) | 457681 | 457681 |
| Screw, drain plug | 135444 | 135444 |
| Bolt, securing, breather cap | 459198 | 459198 |
| Cap, breather or baffle | 459194 | 459194 |
| Screw, fixing contact breaker | 455233 | 54440869 |
| §Contact breaker | 470534 | 470534 |
| § Contact set | 470609 | 54440888 |
| Ring, retaining lever | — | 154660 |
| Washer, insulating ring | — | 161673 |
| Screw, fixing spring bracket | — | 100614 |
| Washer, insulating bracket screw | — | 161681 |
| Bush, insulating spring bracket | — | 492853 |
| Bracket, supporting springs | — | 493202 |
| Bush, insulating, centre contact breaker | 470555 | — |
| Bush, insulating, contact screw block | 470684 | — |
| § Springs, set, actuating | 470688 | — |
| § Brush and spring, earthing | 470537 | — |
| §Control parts set, advance and retard | 459305 | 459305 |
| Spring | 454472 | 454472 |
| Cap, rubber | 454475 | 454475 |
| Clip, securing cap | 455734 | 455734 |
| Washer, barrel seating | 164724 | 164724 |
| Plunger | 493304 | 493304 |
| Nipple | 455788 | 455788 |
| Screw, adjusting | 111591 | 111591 |
| Nut, screw adjusting | 170124 | 170124 |
| §Plate, housing contact breaker | 459313 | 459313 |
| § Cup, insulating breaker | 463932 | 463932 |
| Shim, .005" packing contact breaker housing | 452907 | 452907 |
| Screw, fixing cam | 463931 | 463931 |
| Pin, cam timing screw | 186060 | 186060 |
| §Cam | 459321 | 459321 |
| §Nut, securing gear to shaft | 170109 | 170109 |
| Washer, gear securing nut | 140074 | 140074 |
| §Armature | 493176 | 493176 |
| § Slip ring | 464277 | 464277 |
| Bolt, through fixing | 101270 | 101270 |
| Condenser | 454415 | 454415 |
| Thrower, oil | 463944 | 463944 |
| Collar, spacing drive end | 455340 | 455340 |
| §Bearing, contact breaker end | 189294 | 189294 |
| §Bearing, drive end | 189294 | 189294 |
| §Seal, oil bearing | 459033 | 459033 |
| §Cup, insulating drive end bearing | 463932 | 463932 |
| §Brush, spring, holder, earthing | 455191 | 455191 |
| § Brush and spring, earthing | 455190 | 455190 |
| §Sundry parts, set | 454697 | 454697 |

§Recommended spares for stock

This scan is explicit for non-commercial use and is not intended for financial or material gain by anyone



HEADLAMPS

Home and Export, Vertical Dip

| Part No. Model | 58702A MCH61 | 58702B MCH61 | 58704A MCH61 | 58704B MCH61 |
|-------------------|-----------------|-----------------|-----------------|-----------------|
| §Light unit | 516798 | 516798 | 516798 | 516798 |
| §Bulbholder, main | 554602 | 554602 | 554602 | 554602 |
| §Bulb, main | 312 | 312 | 312 | 312 |

Export, Europe (not France)

| Part No. Model | 58832A MCH61 | 58832B MCH61 | 58830A MCH61 | 58830B MCH61 |
|-------------------|-----------------|-----------------|-----------------|-----------------|
| §Light unit | 555275 | 555275 | 555275 | 555275 |
| §Bulbholder | 554602 | 554602 | 554602 | 554602 |
| §Bulb, main | 403 | 403 | 403 | 403 |

Export, France

| Part No. Model | 58833A MCH61 | 58833B MCH61 | 58831A MCH61 | 58831B MCH61 |
|-------------------|-----------------|-----------------|-----------------|-----------------|
| §Light unit | 516802 | 516802 | 516802 | 516802 |
| §Backshell | 552943 | 552943 | 552943 | 552943 |
| § Bulbholder | 562303 | 562303 | 562303 | 562303 |
| § Clip with screw | 562306 | 562306 | 562306 | 562306 |

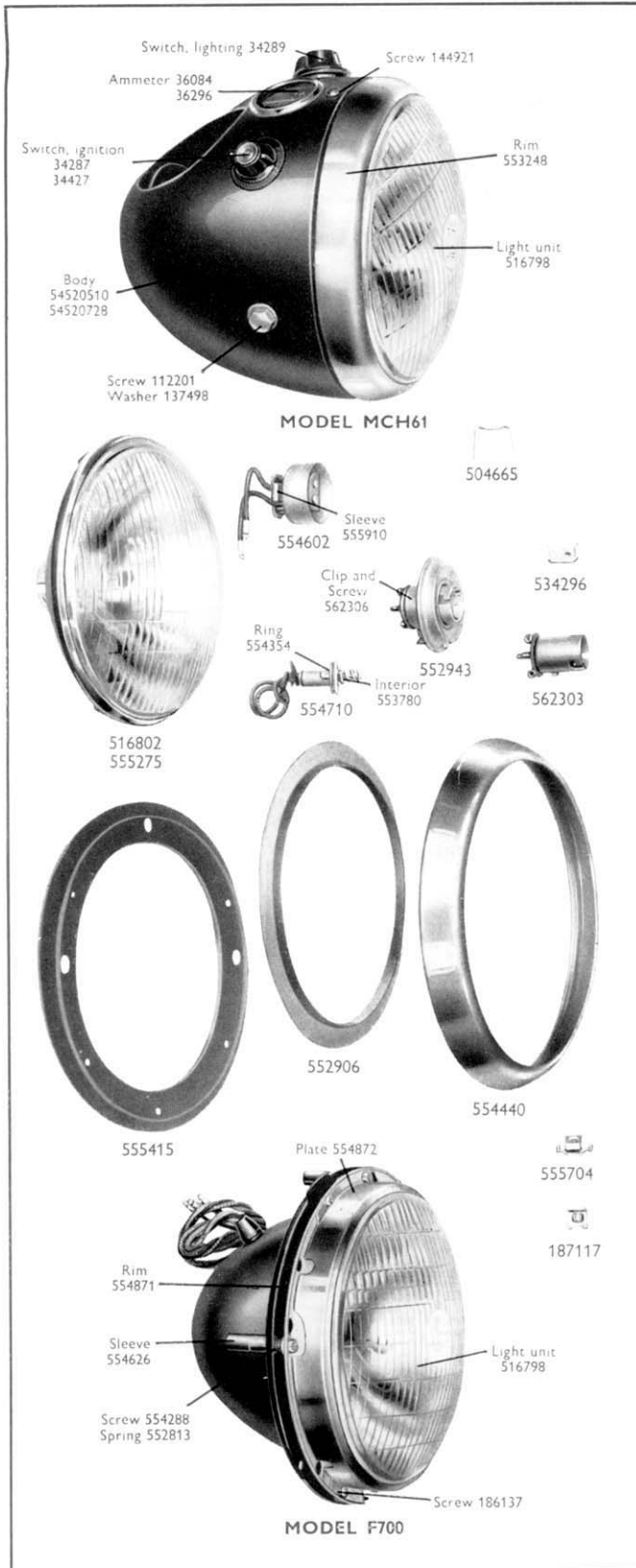
Parts shown below are common to lamps in appropriate column above

| | | | | |
|--|----------|----------|----------|----------|
| §Rim or door | 53248 | 53248 | 53248 | 53248 |
| § Wire, fixing light unit | 504665 | 504665 | 504665 | 504665 |
| §Screw, rim fixing | 144921 | 144921 | 144921 | 144921 |
| §Plate, securing, rim fixing | 534296 | 534296 | 534296 | 534296 |
| §Ammeter (see page 6 for details) | 36084F | 36296A | 36084F | 36296A |
| §Switch, lighting (see page 6 for details) | 34289A | 34289A | 34289A | 34289A |
| §Knob with screw | 54330934 | 54330934 | 54330934 | 54330934 |
| § Screw, knob fixing | 319333 | 319333 | 319333 | 319333 |
| § Washer, dished, screw fixing | 332529 | 332529 | 332529 | 332529 |
| §Switch, ignition (see page 6 for details) | 34287A | 34427B | — | — |
| §Knob with screw | 54332498 | — | — | — |
| § Screw, knob fixing | 319333 | — | — | — |
| § Washer, dished, screw fixing | 332529 | — | — | — |
| §Sleeve, terminal | 555910 | 555910 | 555910 | 555910 |
| §Bulbholder, pilot | 554710 | 554710 | 554710 | 554710 |
| § Interior, pilot | 553780 | 553780 | 553780 | 553780 |
| §Ring, seating pilot bulbholder | 554354 | 554354 | 554354 | 554354 |
| §Washer, cable grip | 516285 | 516285 | 516285 | 516285 |
| §Screw, lamp fixing | 112201 | 112201 | 112201 | 112201 |
| §Washer, lamp fixing screw | 137498 | 137498 | 137498 | 137498 |
| §Body | 54520510 | 54520510 | 54520728 | 54520728 |
| §Bulb, pilot | 988 | 988 | 988 | 988 |

Home and Export, Vertical Dip

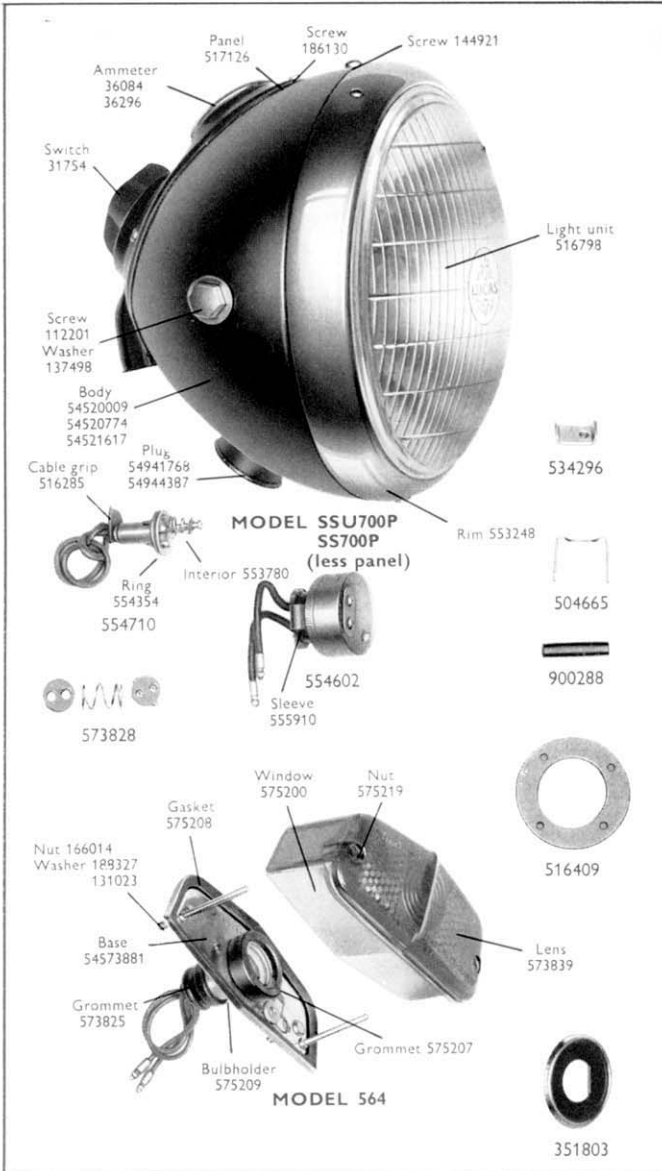
| Part No. Model | 58258B F700P |
|------------------------------|-----------------|
| Detailed Parts | |
| §Rim or door | 554440 |
| § Screw, rim fixing | 198898 |
| § Washer, screw retaining | 161385 |
| §Nut, rim fixing screw | 187117 |
| §Bracket, rim fixing | 55704 |
| §Excluder, dust | 552906 |
| §Plate, light unit retaining | 554872 |
| § Screw, unit fixing | 186137 |
| § Rim, unit seating | 554871 |
| §Light unit | 516798 |
| §Bulbholder | 554602 |
| § Sleeve, terminal | 555910 |
| §Bulbholder, pilot | 554710 |
| § Interior, pilot bulbholder | 553780 |
| § Ring, bulbholder seating | 554354 |
| §Gasket, rubber | 555415 |
| §Spring, trimmer | 552813 |
| §Sleeve, sealing | 554626 |
| §Screw, trimmer | 554288 |
| §Bulb, main | 312 |
| §Bulb, pilot | 988 |

§Recommended spares for stock





HEADLAMPS (Continued)



| Part No. Model | 58224D SSU700P | 58556A SS700P | 58829A SS700P |
|------------------------------------|----------------|---------------|---------------|
| §Panel | 517126 | — | — |
| § Ammeter (see page 6 for details) | 36084 | 36084 | 36084 |

| Part No. Model | 58859A SSU700P | 58878A SS700P | 58829B SS700P |
|------------------------------------|----------------|---------------|---------------|
| §Panel | 54521611 | — | — |
| § Ammeter (see page 6 for details) | 36296 | 36296 | 36296 |

The following parts are common to the above lamps

| | | | |
|---|----------|----------|----------|
| § Screw, panel fixing | 186130 | — | — |
| § Switch, lighting (see page 6 for details) | 31754 | — | — |
| § Plate, escutcheon | 351803 | — | — |
| § Screw, cable clip | 186128 | — | — |
| § Washer, cable clip | 188412 | — | — |
| § Rim or door | 553248 | 553248 | 553248 |
| § Wire, rim and light unit fixing | 504665 | 504665 | 504665 |
| § Screw, rim fixing | 144921 | 144921 | 144921 |
| § Plate, rim fixing | 534296 | 534296 | 534296 |
| § Light unit | 516798 | 516798 | 516798 |
| § Bulbholder, main | 554602 | 554602 | 554602 |
| § Sleeve, terminal | 555910 | 555910 | 555910 |
| § Bulbholder, pilot | 554710 | 554710 | 554710 |
| § Interior, pilot bulbholder | 553780 | 553780 | 553780 |
| § Ring, seating pilot bulbholder | 554354 | 554354 | 554354 |
| § Washer, cable grip | 516285 | 516285 | 516285 |
| § Screw, lamp fixing | 112201 | 112201 | 112201 |
| § Washer, lamp fixing screw | 137498 | 137498 | 137498 |
| § Grobmet, cable | — | 199002 | 199002 |
| § Connector, single | 900288 | — | 900288 |
| § Plug and cable | 54941768 | 54944387 | 54944387 |
| § Screw, plug fixing | 133303 | 133303 | 133303 |
| § Nut, plug, fixing screw | 166103 | 166103 | 166103 |
| § Washer, plug fixing screw | 188412 | 188412 | 188412 |
| § Ring, plug retaining | 516409 | 516409 | 516409 |
| § Nipple, cable | — | — | 900269 |
| § Body | 5452009 | 54520774 | 54521617 |
| § Bulb, main | 312 | 312 | 312 |
| § Bulb, pilot | 988 | 988 | 988 |

*Part of Panel assembly

STOP TAIL, REFLEX & No. PLATE LAMP

| Part No. Model | 534328 |
|------------------------------|--------|
| 564 | 564 |
| Detailed Parts | |
| § Lens | 573839 |
| § Window | 575200 |
| § Nut, lens fixing | 575219 |
| § Gasket, lens seating | 575208 |
| § Base | 576002 |
| § Grobmet, bulbholder | 575207 |
| § Shell, bulbholder | 575209 |
| § Interior, bulbholder | 573828 |
| § Grobmet, cable | 573825 |
| § Nut, lamp fixing | 166014 |
| § Washer, shakeproof | 188327 |
| § Washer, spacer fixing bolt | 131023 |
| § Bulb | 384 |

CABLE HARNESSES

| Part No. | 54932304 | 54932305 | 54932306 | 54932307 | 54932308 | 54949911 | 54949912 | 54949915 |
|--|----------|----------|----------|----------|----------|----------|----------|----------|
| Eyelet 1/8" dia. | — | — | — | — | — | 862343 | 862343 | — |
| Eyelet 3/16" dia. | — | 850405 | 850405 | — | — | 850405 | — | — |
| Eyelet 1/4" dia. | — | 187009 | — | — | 187009 | — | — | — |
| Eyelet, flag 3/16" | — | 187704 | — | — | 187704 | — | — | — |
| Eyelet 1/2" dia. | 850406 | 850406 | 850406 | 850406 | 850406 | 850406 | 850406 | — |
| Eyelet 5/8" dia. | 900450 | 900450 | 900450 | 900450 | 900450 | 900450 | 900450 | — |
| Eyelet 1 1/8" dia. | 54940890 | — | — | — | — | — | — | — |
| Connector tube (2 way) | 900288 | 900288 | 900288 | 900288 | 900288 | 900288 | 900288 | 900288 |
| Connector tube (6 way) | — | 850844 | — | — | 850844 | — | — | — |
| § Connector, Lucar (17.5 amp.) | 54942078 | 54942078 | 54942078 | 54942078 | 54942078 | 54942078 | 54942078 | 54942078 |
| § Sleeve, Lucar | 54190042 | 54190042 | 54190042 | 54190042 | 54190042 | 54190042 | 54190042 | 54190042 |
| § Connector, double, Lucar (17.5 amp.) | 54942747 | 54942747 | 54942747 | 54942747 | 54942747 | 54942747 | 54942747 | 54942747 |
| § Sleeve, Lucar | 54190119 | 54190119 | 54190119 | 54190119 | 54190119 | 54190119 | 54190119 | 54190119 |
| Connector nipple | 900269 | 900269 | 900269 | 900269 | 900269 | 900269 | 900269 | 900269 |
| Socket | 809795 | — | — | 809795 | — | — | 809795 | 809795 |
| Boot, rubber | — | 860129 | — | — | — | — | — | — |
| Grommet | — | — | 54942783 | — | — | — | — | — |
| Cover, rubber | — | — | — | — | — | 852566 | 852566 | — |

§Recommended spares for stock



AMMETER

| Part No. Model | 36084F CZU27 | 36296A 2AR |
|------------------------|-----------------|---------------|
| Detailed Parts | | |
| §Cover | ... | ... |
| §Ring, ammeter sealing | 523986 | — |
| §Nut, terminal | 166043 | 166043 |
| §Washer, terminal | 185040 | 185040 |

CONTROL BOX

| Part No. Model | 37232J/K RB108 |
|-----------------------------|-------------------|
| Detailed Parts | |
| §Cover | 54381655 |
| Gasket, cover | 226289 |
| Washer, plain | 137060 |
| Washer, spring | 185061 |
| Nut, fixing | 156654 |
| §Contact set, cut-out | 335767 |
| §Contact set, regulator | 226339 |
| Screw, adjusting | 54380161 |
| Spring, screw adjusting | 54380088 |
| Bracket, clamping, terminal | 336454 |
| Screw, plate fixing | 126544 |
| Washer, plate fixing screw | 185040 |

HORN

| Part No. Model | 70163A 8H |
|---------------------------|--------------|
| Detailed Parts | |
| §Bracket | 54680850 |
| Nut, tone disc | 54680727 |
| Tone disc | 54680729 |
| Washer, diaphragm packing | 54680732 |
| Diaphragm and armature | 54681247 |
| Rim | 54680731 |
| §Sundry parts set | 54681085 |

HORN PUSH AND DIPPER SWITCH

| Part No. Model | 31563D 255A |
|-----------------------|----------------|
| Detailed Parts | |
| Button and cover | 380660 |
| Base and lever | 380658 |
| §Screw, terminal | 120610 |

CUT-OUT SWITCH

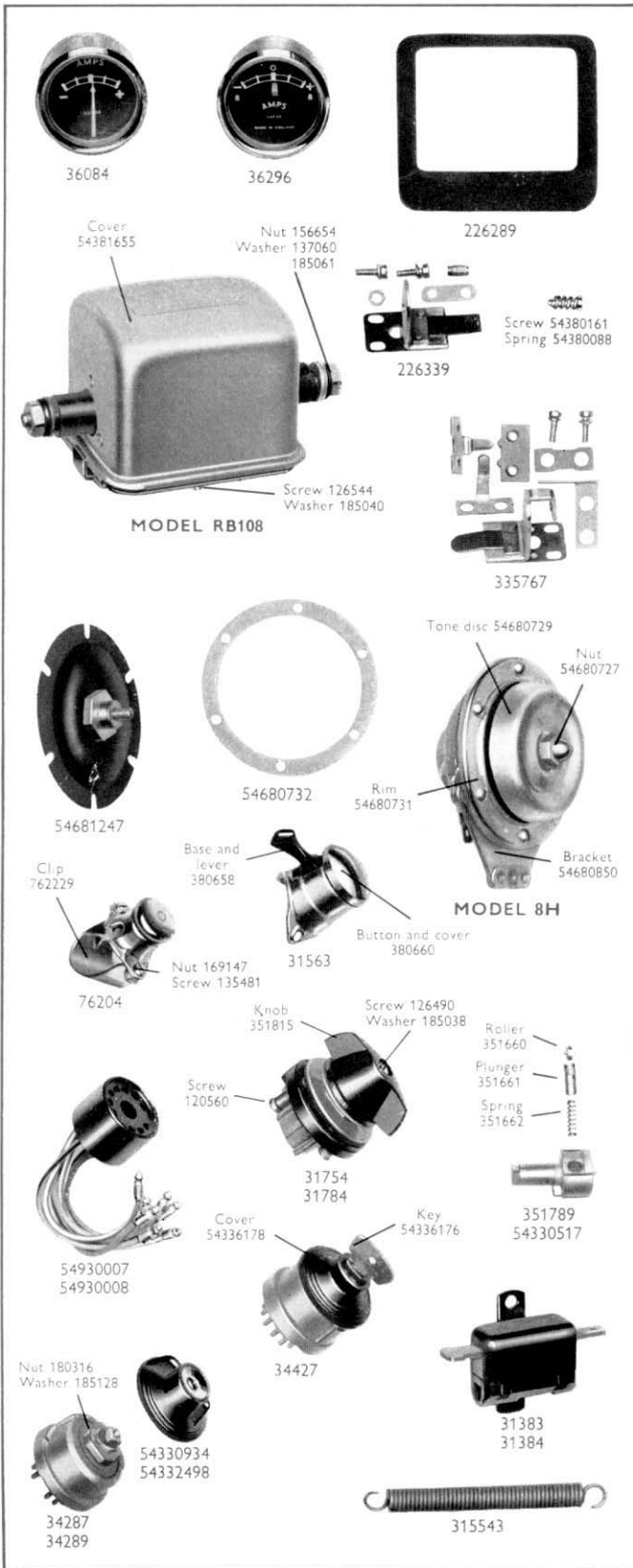
| Part No. Model | 76204D 4A |
|-----------------------|--------------|
| Detailed Parts | |
| §Screw, terminal | 119520 |
| Clip, fixing | 762229 |
| §Screw, fixing | 135481 |
| §Nut, fixing | 169147 |

IGNITION AND LIGHTING SWITCHES

| Part No. Model | 31754B 415A | 31784D 415A |
|----------------------------|----------------|----------------|
| Detailed Parts | | |
| §Knob | 351815 | 351815 |
| Screw, knob fixing | 126490 | 127301 |
| §Washer, knob fixing screw | 185038 | 185038 |
| Nut, fixing | 173777 | 173777 |
| Washer, nut fixing | 188303 | 188303 |
| §Screw, terminal | 120560 | 120560 |
| Shaft, headpiece | 351789 | 54330517 |
| Roller | 351660 | 351660 |
| Plunger | 351661 | 351661 |
| Spring | 351662 | 351662 |
| Lever, contact | — | 351528 |

| Part No. Model | 34287A 885A | 34289A 885A | 34427A/B 885A |
|-----------------------|----------------|----------------|------------------|
| Detailed Parts | | | |
| §Key | ... | ... | 54336176 |
| Nut, fixing | 180316 | 180316 | 54336177 |
| Washer, nut fixing | 185128 | 185128 | ... |
| Cover, nut fixing | ... | ... | 54336178 |
| §Socket with cables | †54930008 | †54930007 | †54930008 |

§Recommended spares for stock
†Supplied separately





ALTERNATOR

| Part No. Model | †047534 RM15 | †54021018 RM15 | †54021023 RM19 | †54021027 RM19 |
|-----------------------|--------------|----------------|----------------|----------------|
| Detailed Parts | | | | |
| Rotor | 423506 | 423506 | 54213901 | 54213901 |
| Stator | 47122A | 47154A | 47164A | 47162A |
| Clip, cable | 54211509 | 54211509 | 54210167 | 54210167 |
| Washer, cable clip | 131023 | 131023 | 131023 | 131023 |

CONTACT BREAKER UNITS

| Part No. Model | 47579E/H CA1A | 47595A CA1A |
|--------------------------------------|---------------|-------------|
| Detailed Parts | | |
| Felt, lubricator | 425251 | 425251 |
| Support, lubricator felt | 425833 | 425833 |
| Screw, contact breaker plate, fixing | 126504 | 126504 |
| Washer, spring, screw fixing | 185040 | 185040 |
| Plate, assembly contact breaker | 465958 | 465958 |
| Nut, terminal | 166094 | 166094 |
| Washer, plain, terminal | 131023 | 131023 |
| Washer, insul, terminal | 161353 | 161353 |
| Contact set | 420196 | 420196 |
| Bush, insulating | 419950 | 419950 |
| Condenser assembly | 54413002 | 54413002 |
| Cam assembly | 465939 | 465939 |
| Spring, set, auto advance | 416136/S | 425298/S |
| Toggle | 407131 | 407131 |
| Weight assembly | 415729 | 415729 |
| Sleeve and action plate assembly | 425733 | 54414514 |

DISTRIBUTOR

| Part No. Model | 40589D 18D2 |
|---|-------------|
| Detailed Parts | |
| Plate, clamping | 420151 |
| Screw, plate clamping | 415087 |
| Cover, moulded | 425049 |
| Brush and spring | 404435 |
| Grommet, rubber | 421554 |
| Clip, cable contact | 421863 |
| Rotor arm | 423486 |
| Terminal, contact breaker | 123154 |
| Brush, insulating, contact breaker terminal | 423110 |
| Connector, terminal to condenser | 423108 |
| Bush, insulating condenser connector | 423109 |
| Condenser | 54410823 |
| Cover, rubber, condenser | 421569 |
| Contact set | 425219 |
| Plate, contact breaker case | 423113 |
| Cam | 425284 |
| Springs (set of 2), automatic advance | 54412732 |
| Weight, automatic advance | 421056 |
| Shaft and action plate | 425444 |
| Ring, rubber sealing | 188639 |
| Clip, cover retaining | 424158 |
| Bushing, bearing | 425498 |
| Seal, oil bearing | 188643 |
| Sundry parts set | 425243 |

COIL, IGNITION

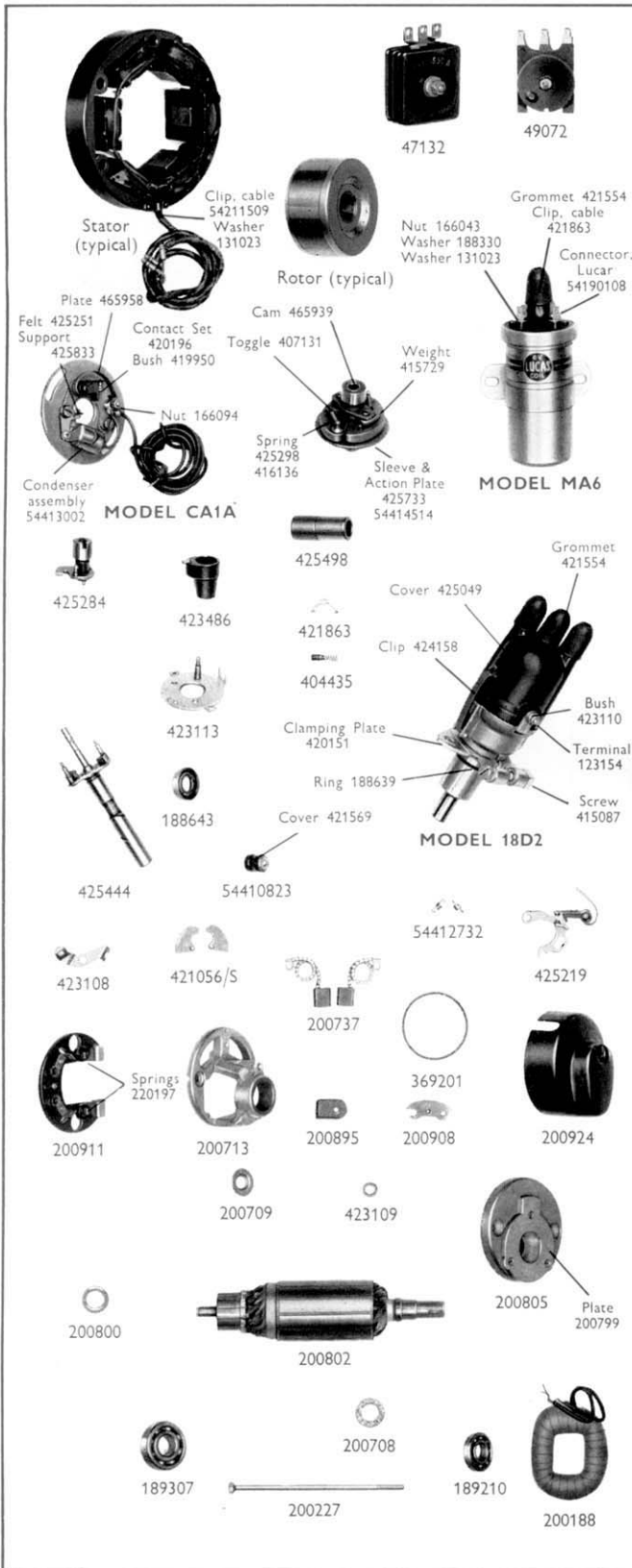
| Part No. Model | 45077E MA6 | 45152B MA6 |
|---|------------|------------|
| Detailed Parts | | |
| Grommet, rubber | 421554 | 421554 |
| Clip, cable contact | 421863 | 421863 |
| Nut, switch and contact breaker terminals | 166043 | 166043 |
| Washer, shakeproof, terminal | 188330 | 188330 |
| Washer, plain, terminal | 131023 | 131023 |
| Connector, Lucas | — | 54190108 |

GENERATORS

| Part No. Model | 20038B E3N |
|---|------------|
| Detailed Parts | |
| Brushes, set | 200737 |
| Bracket or frame assembly, commutator end | 200713 |
| Bearing, commutator end | 189210 |
| Washer, felt, bearing | 200708 |
| Cup, felt bearing washer | 200709 |
| Insulating plate (complete with brush boxes etc.) | 200911 |
| Springs, set, brush tension | 220197 |
| Ring, sealing, rubber | 369201 |
| Cover, commutator end | 200924 |
| Grommet, cable | 200895 |
| Plate, clamping, terminal | 200908 |
| Bearing, drive end | 189307 |
| Bracket or frame assembly, drive end | 200805 |
| Plate, bearing | 200799 |
| Nut, bearing retaining | 200800 |
| Armature | 200802 |
| Coils, field, set | 200188 |
| Bolt, through fixing | 200227 |
| Sundry parts, set | 200806 |

§Recommended spares for stock

†For reference purposes only



This scan is explicit for non-commercial use and is not intended for financial or material gain by anyone

LUCAS

Spares List No.

EQUIPMENT & SPARE PARTS

N. V. S. 1945

Issued

A.M.C. MOTOR CYCLES 1963

(A.J.S. and Matchless)

Advance information to Spare Parts List CE825/63.

SPARE PARTS

A.J.S. 350c.c. '16' 'Sceptre',
 500c.c. '18' 'Statesman' &
 650c.c. '31' 'Swift' (Coil
 Ignition)
 MATCHLESS 350c.c. 'G3' 'Mercury',
 500c.c. 'G80' 'Major' &
 650c.c. 'G12' 'Majestic' (Coil
 Ignition)

ALTERNATOR(Later)

Part No. *54021023
 Model RM19
 Rotor 54213901
 § Stator 47164A
 Clip, cable 54210167
 Washer, cable clip 131023

Replacing RM15 047534.

AMMETER (Later)

Part No. †36296A
 Model 2AR
 § Nut, terminal 166043
 § Washer, terminal 185040

Replacing CZU27 36084F.

CABLE HARNESS

('16' 'Sceptre', '18' 'Statesman',
 'G3' 'Mercury' & 'G80' 'Major')
 Part No. †54932308

Replacing 54949913.

CABLE HARNESS

('31' 'Swift' & 'G12' 'Majestic')
 Part No. †54932305

Replacing 54949914.

COIL, IGNITION (Later)

Part No. †45152B
 Model MA6
 § Grommet, rubber 421554
 § Clip, cable contact 421863
 Nut, switch and contact breaker
 terminals 166043
 Washer, shakeproof, terminal 188330
 Washer, plain, terminal 131023
 § Connector, Lucar 54190108

Replacing MA6 45077E.

LAMPS, HEAD

Home and Export (Later)

Part No. 58702B
 Model MCH61
 § Rim or door 553248
 § Wire, fixing light unit 504665
 § Screw, fixing rim 144921
 Plate, securing, rim fixing screw
 534296
 § Ammeter 36296A
 § Nut, terminal 166043
 § Washer, terminal 185040
 § Switch, lighting 34289A
 § Nut, fixing 180316
 § Washer, fixing nut 185128
 § Socket with cables †54930007
 § Knob with screw, switch 54330934
 § Screw, fixing knob 319333
 § Washer, dished, fixing screw 332529
 § Switch, ignition 34427B
 § Key 54336176
 § Nut, fixing 54336177
 § Socket with cables †54930008

Continued...

JOSEPH LUCAS LTD · BIRMINGHAM 18 · ENGLAND

NVS 1945 cont'd...

Headlamp 58702B cont'd...

| | | |
|---|--------------------------------|----------|
| | Cover, PVC | 54336178 |
| § | Light unit | 516798 |
| | Bulbholder, main | 554602 |
| | Sleeve, terminal | 555910 |
| | Bulb, main | 312 |
| | Bulbholder, pilot | 554710 |
| | Interior, pilot | 553780 |
| | Bulb, pilot | 988 |
| | Ring, seating pilot bulbholder | 554354 |
| | Washer, cable grip | 516285 |
| § | Screw, fixing lamp | 112201 |
| | Washer, lamp fixing screw | 137498 |
| | Body | 54520510 |
| | Replacing MCH61 58702A. | |

Export Europe, except France(Later)

| | | |
|----------|--------------------------|--------|
| Part No. | 58832B | |
| Model | MCH61 | |
| § | Light unit | 555275 |
| § | Bulb, main | 403 |
| | Other details as 58702B. | |
| | Replacing MCH61 58832A. | |

Export France(Later)

| | | |
|----------|--|--------|
| Part No. | 58833B | |
| Model | MCH61E/F | |
| § | Light unit | 516802 |
| § | Backshell | 552943 |
| | Bulbholder | 562303 |
| | Clip with screw | 562306 |
| | Less Bulb, main. Other details as 58702B. Replacing MCH61E/F 58833A. | |

RECTIFIER

| | | |
|----------|---------------------------|--|
| Part No. | ‡49072A | |
| Model | 2DS506 | |
| | Replacing FSX1849 47132B. | |

SWITCH, IGNITION(Later)

| | | |
|----------|------------------------|--|
| Part No. | ‡34427B | |
| Model | 88SA | |
| | Replacing 88SA 34287B. | |

SWITCH, STOP LAMP

| | | |
|----------|---------------------------------------|--|
| Part No. | 31383A/B | |
| Model | 22B | |
| | Replacing 22B 31384B & spring 315543. | |

.....

A. J. S. 500c.c. '18CS' 'Southerner',
650c.c. '31CSR' 'Hurricane' &
'31' 'Swift'(magneto ignition)

MATCHLESS 500c.c. 'G80CS' 'Marksman',
650c.c. 'G12CSR' 'Monarch' &
'G12' 'Majestic'(magneto
ignition)

ALTERNATOR(Later)

| | |
|----------|-----------|
| Part No. | *54021027 |
| Model | RM19 |
| Rotor | 54213901 |

Alternator 54021027 cont'd...

| | | |
|---|---------------------------|----------|
| § | Stator | 47162 |
| | Clip, cable | 54210167 |
| | Washer, cable clip | 131023 |
| | Re. lacing RM15 54021018. | |

AMMETER(Later)

| | |
|----------|---------|
| Part No. | ‡36296A |
| Model | 2AR |

Replacing CZU27 36084F.

CABLE HARNESS

('18CS' 'Southerner' & 'G80CS'
'Marksman')

| | |
|----------|-----------|
| Part No. | ‡54932304 |
|----------|-----------|

Replacing 54949910.

CABLE HARNESS

('31' 'Swift', 'G12' 'Majestic' &
later '31CSR' 'Hurricane' & 'G12CSR'
'Monarch')

| | |
|----------|-----------|
| Part No. | ‡54932306 |
|----------|-----------|

Replacing 54949911.

CABLE HARNESS U.S.A.(Later)

('31CSR' 'Hurricane' & 'G12CSR'
'Monarch')

| | |
|----------|-----------|
| Part No. | ‡54932307 |
|----------|-----------|

Replacing 54949912.

LAMPS, HEAD

('18CS' 'Southerner' & 'G80CS'
'Marksman')

Home & Export (Later)

| | |
|----------|--------|
| Part No. | 58829B |
|----------|--------|

| | | |
|-------|-------------------|--------|
| Model | SS700P | |
| | Ammeter | 36296A |
| | Rim or door | 553248 |
| | Light unit | 516798 |
| | Bulbholder, main | 554602 |
| | Bulbholder, pilot | 554710 |
| | Bulb, main | 312 |
| | Bulb, pilot | 988 |

Replacing SS700P 58829A.

('31CSR' 'Hurricane', 'G12CSR'
'Monarch', '31' 'Swift' & 'G12'
'Majestic')

Home & Export (Later)

| | |
|----------|--------|
| Part No. | 58704B |
|----------|--------|

| | | |
|-------|----------------------------------|--------|
| Model | MCH61 | |
| § | Rim or door | 553248 |
| | Wire, fixing light unit | 504665 |
| § | Screw, fixing rim | 144921 |
| | Plate, securing rim fixing screw | 534296 |
| § | Ammeter | 36296A |
| | Nut, terminal | 166043 |
| | Washer, terminal | 185040 |

Continued....

1945
Headlamp
Switch

AT1162

1945 cont'd...

Headlamp 58704B cont'd...

| | | |
|---|--------------------------------|----------|
| § | Switch, lighting | 34289A |
| | Nut, fixing | 180316 |
| | Washer, fixing nut | 185128 |
| § | Socket with cables | 54930007 |
| § | Knob with screw, switch | 54330934 |
| § | Screw, fixing knob | 319333 |
| | Washer, dished, fixing screw | 332529 |
| § | Light unit | 516798 |
| § | Bulbholder, main | 554602 |
| | Sleeve, terminal | 555910 |
| § | Bulb, main | 312 |
| § | Bulbholder, pilot | 554710 |
| | Interior, pilot | 553780 |
| § | Bulb, pilot | 988 |
| § | Ring, seating pilot bulbholder | 554354 |
| § | Washer, cable grip | 516285 |
| § | Screw, fixing lamp | 112201 |
| § | Washer, lamp fixing | 137498 |
| § | Body | 54520728 |

Replacing MCH61 58704A.

Export Europe, except France (Later)

| | | |
|----------|-------------------------|--------|
| Part No. | 58830B | |
| Model | MCH61 | |
| § | Light unit | 555275 |
| § | Bulb | 403 |
| | Other details as 58704B | |
| | Replacing MCH61 58830A. | |

Export France (Later)

| | | |
|----------|---|--------|
| Part No. | 58831B | |
| Model | MCH61 | |
| § | Light unit | 516802 |
| § | Backshell | 552943 |
| § | Bulbholder | 562303 |
| | Clip and screw | 562306 |
| | Less Bulb, main. Other details as 58704B. | |
| | Replacing MCH61 58831A. | |

Export U.S.A. (Later) ('31CSR' 'Hurricane' & 'G12CSR' 'Monarch')

| | | |
|----------|-------------------|--------|
| Part No. | 58878A | |
| Model | SS700P | |
| § | Ammeter | 36296A |
| § | Rim or door | 553248 |
| § | Light unit | 516798 |
| § | Bulbholder, main | 554602 |
| § | Bulbholder, pilot | 554710 |
| § | Bulb, main | 312 |
| § | Bulb, pilot | 988 |

Replacing SS700P 58556A.

LAMP, STOP TAIL NUMBER PLATE AND REFLEX

| | | |
|----------|----------------------|--------|
| Part No. | 53432B | |
| Model | 564 | |
| § | Lens | 573839 |
| § | Window | 575200 |
| § | Interior, bulbholder | 573828 |
| § | Bulb | 384 |

Replacing 529 53429A.

RECTIFIER

| | |
|----------|--------|
| Part No. | 49072A |
| Model | 2DS506 |

Replacing FSX1849 47132B.

SWITCH, STOP LAMP

| | |
|-----------------------------------|----------|
| ('31' 'Swift' & 'G12' 'Majestic') | |
| Part No. | 31383A/B |
| Model | 22B |

Replacing 22B 31384B and Spring 315543.

.....

A.J.S. 350c.c. '16C' 'Experts' MATCHLESS 350c.c. 'G3C' 'Maestro'

AMMETER (Later)

| | |
|----------|--------|
| Part No. | 36296A |
| Model | 2AR |

Replacing CZU27 36084F.

CABLE HARNESS

| | |
|----------|-----------|
| Part No. | 54949915A |
|----------|-----------|

LAMP, HEAD

Home & Export (Later)

| | | |
|----------|-------------------|--------|
| Part No. | 58859A | |
| Model | SSU700P | |
| § | Ammeter | 36296A |
| § | Rim or door | 553248 |
| § | Light unit | 516798 |
| § | Bulbholder, main | 554602 |
| § | Bulbholder, pilot | 554710 |
| § | Bulb, main | 312 |
| § | Bulb, pilot | 988 |

Replacing SSU700P 58224D.

LAMP, STOP TAIL, NUMBER PLATE AND REFLEX

| | |
|----------|--------|
| Part No. | 53432B |
| Model | 564 |

Replacing 529 53429A.

Continued...

This scan is explicit for non-commercial use and is not intended for financial or material gain by anyone

NVS 1945 cont'd...

- 4 -

§ Recommended spares for stock.

¶ Order separately.

* For reference only, serviced by
Rotor and Stator.

† Part of headlamp.

‡ New item.

PRINTED IN ENGLAND