

PN_2883 Washer.dwg

14.10.2022

J Ready

4

3

2

1

D

C

B

A

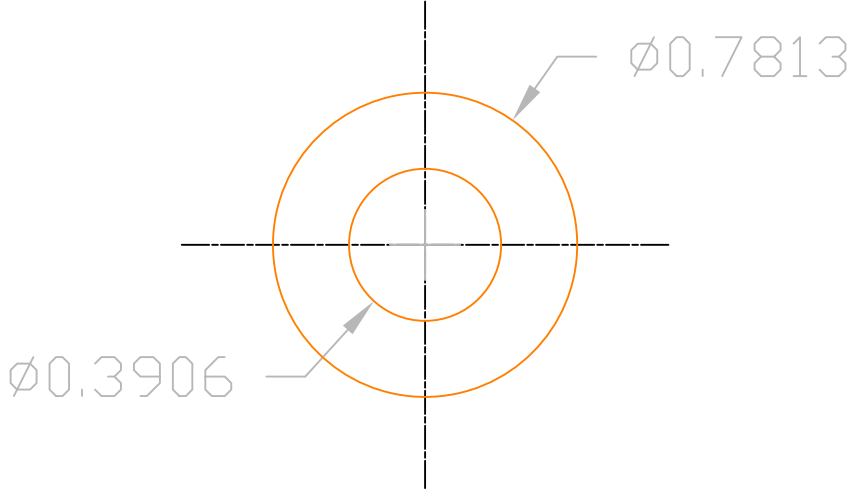
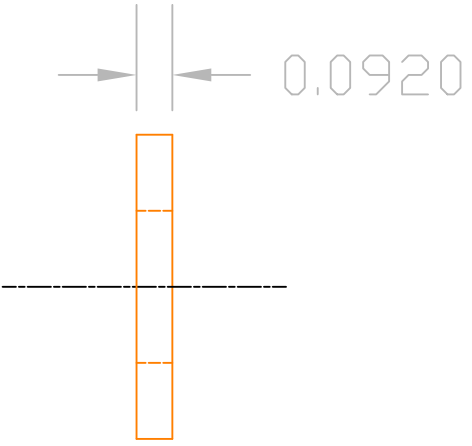
D

C

B

A

REVISIONS				
ZONE	REV	DESCRIPTION	DATE	APPROVED



N.B.: These dimensions are taken from the 1933 AJS Parts Book,
 Washer, 3/8", Medium Thickness.
 This would be a slide fit over a 3/8" bolt.
 Parkerised finish.

FILE NAME 14/10/2022			
CONTRACT NO #####			
DRAWN			
CHECK			
APPR.			
ISSUED			
SIZE	FSCM NO	DWG NO	REV
	-		
SCALE 1		WEIGHT	SHEET 001

All dimensions in Inches
 PN_2883.dwg
 Washer, 3/8"

4

3

2

1