



**SMITHS MOTOR CYCLE EQUIPMENT**

**1962**

THREE-WHEELERS, "BUBBLE" CARS, INVALID CHAIRS—see back cover



# SMITHS

## Motor Cycle Equipment - 1962

Make	Model & Description	Speedometer		Rev Indicator	Flexible Drive †		Gear Box	Gear Box Pinion	Gear Ring	Speedometer Bracket	K.L.C. Sparking Plugs	Petroflex
		Miles	Kilos		Complete	Length						
A.J.S.	L4 248cc	SN.5170/22	SN.5170/39		DF.1110/22	5'2"	BG.5330/227				FE.80	
	L4S	SN.5170/22	SN.5170/39		DF.1110/22	5'2"	BG.5330/227				FE.80	
	L4CS 248cc	SN.5170/31	SN.5170/34		DF.1110/22	5'2"	BG.5330/267			31-674-110-01	FE.80	
	L6 347cc	SC.1301/02	SC.1301/03		DF.1110/22	5'5"	BG.5330/267				FE.80	
	L6S	SC.1301/02	SC.1301/03		DF.1110/22	5'5"	BG.5330/227				FE.80	
	L6CS 347cc	SC.1302/01	SC.1302/02		DF.1110/22	5'5"	BG.5330/267				FE.80	
	S 348cc	SN.5170/26	SN.5170/27		DF.1110/22	5'3"	BG.5330/227				FE.80	
	7R C.H.C. 349cc β			ATRC.2625N	DF.1111/15	1'10"	BG.1507/00				***	PPP.503/12
	L8 498cc	SC.1301/02	SC.1301/03		DF.1110/22	5'5"	BG.5330/267				FE.80	
	L8CS 497cc	SC.1302/01	SC.1302/02		DF.1110/22	5'5"	BG.5330/267				FE.80	
	31 Twin 546cc	SC.1301/02	SC.1301/03	ARC.1304/00	DF.1111/15	2'2 1/2"	BG.1506/01				FE.80	
	31CS Twin 646cc	SC.1302/01	SC.1302/02	ARC.1304/00	DF.1111/15	2'5 1/2"	66				FE.80	
	31CSR Twin 646cc	SC.1301/02	SC.1301/03	ARC.1304/00	DF.1110/22	2'2 1/2"	BG.5330/267				FE.80	
				ARC.1304/00	DF.1111/15	2'5 1/2"	BG.1506/01					
AMBASSADOR	Electra 75	SC.5303/47	SC.5303/47	ARC.1304/00	DF.1111/15	2'5 1/2"	BG.5330/267			31-674-109-01	P.80	
	Scooter 175cc +	SN.5170/48	SN.5170/48		DF.1111/15	3'1"	BG.5330/267				P.80	
	Super 'S'.249cc	SC.5303/19*	SC.5303/31*		DF.1111/15	2'5 1/2"	BG.1506/01			31-674-109-01	P.80	
	Super 'S'. Sport	SC.5303/19	SC.5303/31		DF.1111/02	3'1"	66				P.80	
ARIEL	Three Star Special				DF.1110/00	4'11"	BG.5121/027					
	200cc	SN.5170/05			DF.1111/02	3'1"						
	Popular	SN.5170/05			DF.1111/02	3'1"						
BORD	Leader Twin 249cc***				DF.1111/02	3'1"						
	(Non-Trip Speeds.)†	SC.1301/00	SC.1301/01		DF.1111/19	3'1"						
	Leader Twin 249cc***				DF.1111/19	3'1"						
B.S.A.	(Trip Speeds)	SC.5309/00	SC.5309/01		DF.1111/19	3'1"						
	T52 Arrow 250cc	SN.5170/28	SN.5170/29		DF.1111/02	3'8"						
	P3 Scooter 148cc	SN.5170/14			DF.1111/02	3'8"						
Dandy 700cc (Headlamp Fitting)	P4 Scooter 197cc	SN.5170/46			DF.1111/02	3'8"						
		SM.5601/00			DF.0831/02	2'8"	BG.5320/001					

† Tank Unit FT.5786/06 also fitted  
 ‡ For Separate Inner & Outer Flexible Drives see Chart I (Page 9)  
 \*\*\* Recommendation on request according to Tune & Incl etc.  
 \* For Speedometer with Alternative Speed Range see Chart I (Page 9)

Special Machines for American Market  
 β Mounting Ring MS.1003/01 also required  
 † Optional Equipment  
 \* Optional Lever Clock CL.2104/00 also available.



Make	Model & Description	Speedometer		Rev Indicator	Flexible Drive †		Gear Box	Gear Box Pinion	Gear Ring	Speedometer Bracket	S.L.G. Sparking Plugs	Petroflex
		Miles	Kiloes		Complete	Length						
B.S.A. (Cont'd)	D1 Bantam 125cc	SC.1102/07	SS.3170/20		DP.1110/21	4'8"	BC.5331/24.7				F.70	
	D7 Bantam Super 174cc	SN.3170/19			DP.1110/21	4'8"	BC.5331/24.7				F.75	
	B1 Sunbeam 174cc	SN.3170/18			DP.1106/14	4'8 1/2"					F.100	
	B2 Sunbeam Twin 249cc (O.H.V. 6 volt)	SN.3170/13			DP.1106/14	4'8 1/2"					F.75	
	B2/S Sunbeam Twin 249cc (O.H.V. 12 volt)	SN.3170/17			DP.1106/14	4'8 1/2"					F.75	
	C15 250	SN.3170/11	SN.3170/12		DP.1110/21	4'8"					F.75	
	C15 O.H.V. Trials 249cc	SC.1102/14			DP.1110/21	4'8"					F.75	
	C15 Scrambles (U.S.A.) 250cc	SN.5301/03			DP.1110/21	4'8"					F.75	
	C15 Starfire Roadster 250cc	SC.5301/03			DP.1110/21	4'8"					F.75	
	C15 Sports Star B32 & B34 Gold Star	SN.3170/35 SC.5301/03	SN.3170/37 SC.5301/12		DP.1110/20	3'10 1/2"					F.75	
	B32 & B34 Gold Star (U.S.A. only)	SC.5301/23			DP.1111/15	3'2"					F.75 ++	FFF.506/14
	B32 & B34 Gold Star Scrambles	SC.5301/23			DP.1111/15	3'2"					F.75 ++	FFF.506/14
	B40 350cc	SC.5301/07 *			DP.1110/20	3'10 1/2"					F.75	
	A7 Twin Solo 497cc	SN.3170/31	SN.3170/34		DP.1110/21	4'8"					F.70	FFF.506/18
	A7 Twin Sidecar 497cc	SC.3305/04	SC.3305/05		DP.1110/20	3'8"					F.70	FFF.506/18
	A7 Shooting Star Twin Solo 497cc	SC.3305/04	SC.3305/05		DP.1110/20	3'8"					F.100	FFF.506/18
	A7 Shooting Star Twin Sidecar 497cc	SC.3305/04	SC.3305/05		DP.1110/20	3'8"					F.100	FFF.506/18
	A10 Super Rocket 646cc (with Cowl)	SC.3305/06	SC.3305/07		DP.1110/20	3'8"					F.100	FFF.506/18
	A10 Super Rocket 646cc (less Cowl)	SC.5301/06 *	SC.5301/17 *		DP.1110/20	2'10 1/2"					F.100	FFF.506/18
	A10 Super Rocket 646cc (less Cowl) (U.S.A.)	SC.5301/22			DP.1110/20	3'10 1/2"					F.100	FFF.506/18
	A10 Golden Flash A10 Spitfire Scrambler (U.S.A.)	SC.3305/04	SC.3305/05		DP.1110/20	2'10 1/2"					F.100	FFF.506/18
	M21 591cc	SC.5301/24	SC.5301/12		DP.1110/20	3'10 1/2"					F.100	FFF.506/18
	A50 Solo	SC.5301/03	SC.3313/01		DP.1110/21	4'2"					F.100	FFF.506/18
A50 with Sidecar	SC.5313/00	SC.3313/05		DP.1110/20	3'8"					F.70	FFF.506/18	
A65 Solo	SC.3313/04	SC.3313/02		DP.1110/20	3'8"					F.100	FFF.506/18	
A65 with Sidecar	SC.3313/02	SC.3313/01		DP.1110/20	3'8"					F.100	FFF.506/18	
Vulcan 197cc Trials 197cc	SN.3170/02 SC.1102/06	SN.3170/03		DP.1111/15	3'0"					F.80		

CUTTON

† For Separate Inner & Outer Flexible Drives see Chart I (Page 9)

\* Optional Equipment

\*\* For Machines fitted with Alloy Heads

\*\*\* To ZM 218000 (Iron Heads)

\*\* From ZM 218001 (Alloy Heads)

\* For Speedometer with alternative speed range see Chart II (Page 9)

Make	Model & Description	Speedometer		Rev Indicator	Flexible Drive #		Gear Box	Gear Box Pinion	Gear Ring	Speedometer Bracket	K.L.G. Sparking Plugs	Petroflex
		Miles	Kilos		Complete	Length						
COOTON (Cent'd)	Herald 250cc	SH.3170/02	SH.3170/03		DP.1111/15	3'6"					P.80	2PP.503/8
	Double Gloster 250cc	SH.3170/02	SH.3170/03		DP.1111/15	3'6"					P.80	
	Continental 250cc	SH.3170/02	SH.3170/03		DP.1111/15	3'6"					P.80	
	Corsair	SH.3170/02	SH.3170/03		DP.1111/15	3'6"						
	Messenger 325cc											
	Villiers Engine	SC.3303/17	SC.3303/02		DP.1111/15	3'6"				31-674-109-01	P.80	P.503/8
	Manx 249cc	SH.3170/16			DP.1110/00	3'0"	BG.5117/047				P.80	
	Capella 175cc (6v) *	SH.3174/00	SH.3174/01		DP.1110/00	3'1"	BG.5117/047				P.80	
	Bombi Scooter 96cc	SH.3170/52			DP.1106/14	3'0"	BG.5121/633				P.75	
	Dolomite II Twin 249cc	SC.3303/42			DP.1111/15	3'2"				31-674-109-01	P.80	
Dolomite IIA 324cc	SC.3303/42			DP.1111/15	3'2"				31-674-109-01	P.80		
Mk.9	SC.1101/07			DP.1111/15	3'2"					P.80		
Mk.15 Trials	SC.1101/02			DP.1110/20	3'0"					P.80		
Deemster K5	SC.3303/41			DP.1111/15	3'2"					P.80		
Deemster E8	SC.3303/41			DP.1111/15	3'2"					P.80		
DOF	200 HR Trials 197cc	SC.1101/02			DP.1111/15	3'3"					(P.100 & P.220	
	250 HR Trials 249cc	SC.1101/02			DP.1111/15	3'3"					P.75	
	Trials Marshall 250cc	SC.1101/02			DP.1111/15	3'3"						
	Servanbler Works Rep. 250cc	SC.1101/02			DP.1111/15	3'3"						
	Californian	SC.1101/02			DP.1111/15	3'3"						
	Servanbler TS	SC.1101/02			DP.1111/15	3'3"						
	C12 Consort	SC.1102/01	SC.1102/00		DP.1110/20	3'9 1/2"	BG.5331/227				P.75	
	F12 Consort	SC.3303/21	SC.3303/43		DP.1110/20	4'5 1/2"	BG.5331/227				P.75	
	†SC.1102/16				DP.1110/20	4'9"	BG.5115/607					
	EMTB Tallman Twin	SH.3170/02	SH.3170/03		DP.1110/20	4'5 1/2"	BG.5331/227				FE.703	
EMTB Tallman Twin	SC.3303/21	SC.3303/43		DP.1110/20	4'8 1/2"	BG.5331/227				FE.70D		
Mk.12 Monarch Scooter	SH.3170/10			DP.1110/00	3'0"	BG.5116/047				FE.703		
ME.12 Monarch Scooter	SH.3170/13			DP.1110/00	3'0"	BG.5116/047				FE.703		
FRANIS & BARNET	87 Falcon 197cc	SH.3153/55	SH.3153/56		DP.1110/26	4'8"	BG.5330/247				FE.75	✓
	80 Cruiser 249cc	SH.3153/55	SH.3153/56		DP.1110/24	4'9"	BG.5330/247				FE.75	
	84 Cruiser 249cc	SH.3153/55	SH.3153/56		DP.1110/24	4'9"	BG.5330/247				FE.75	
	85 Trials 249cc	SC.1102/06			DP.1110/24	4'6"	BG.5330/247				FE.75	
	89 Cruiser Twin	SH.3153/55	SH.3153/56		DP.1110/24	4'9"	BG.5330/247			31-615-417-01	P.80	
	Plover 86	SH.3170/04			DP.1110/20	4'8"	BG.5330/227					
	Pulver 88	SH.3170/42			DP.1110/24	4'0"	BG.5330/247					
	20DC, 24DC )											
	25DC & 32DC )											
	20TD & 24TD	SH.3170/09			DP.1111/16	4'8"	BG.2504/01	31-813-125	31-812-110		P.80	
24TE & 24TES	SC.1102/15			DP.1111/16	4'10"	BG.2504/01	31-813-125	31-812-110		P.80		
	SC.1102/15					BG.2504/01	31-813-125	31-812-110		P.80		
INDIAN (A.M.C.) For American Market.	Papoose Scooter 150cc	SH.3170/47			DP.1110/24	3'0"	BG.5330/027				FE.75	
	G1 Pinto 150cc	SH.3170/04			DP.1110/20	4'7"	BG.5330/227					

† Optional Equipment  
 \* P.100 (Normal Use)  
 \*\* P.220 (Fast Touring)

+ Tank Unit FT.5786/05 also fitted to De Luxe models  
 † For sustained high speed use FE.80  
 ‡ For Separate Inner & Outer Flexible Drives see Chart I (Page 9)



Make	Model & Description	Speedometer		Rev Indicator	Flexible Drives #		Gear Box	Gear Box Pinion	Gear Ring	Speedometer Bracket	K.L.G. Sparking Plugs	Petroflex
		Miles	Kilos		Complete	Length						
INDIAN (A.M.C.) Cont'd	Pathfinder 250cc G2	SN.3170/22			DP.1110/22	5'2"	BG.5330/227				FR.80	
	Arrow 250cc G2CS	SN.3170/31		AIRC.2652N	DP.1110/22	5'2"	BG.5330/267				FR.80	
	G50 Racer 496cc				DP.1111/15	1'10"	BG.1507/00			31-67 $\frac{1}{2}$ -110-01		
	G80 Mohawk 500cc	SC.1301/02			DP.1110/22	5'5"	BG.5330/267				FR.80	
	G80 GS Westener 500cc	SC.1302/01			DP.1110/22	5'5"	BG.5330/267				FR.80	
	Tyrhaon 600cc G80TCS	SC.1302/01			DP.1110/22	5'5"	BG.5330/267				FR.80	
	Apache 650cc G12CS	SC.3312/00			DP.1110/22	5'2"	BG.5330/267				FR.80	
	G15 Forty Five 750cc	SC.1301/02			DP.1111/15	2'2 $\frac{1}{2}$ "	BG.1506/01				FR.80	
	G50/GS	SC.1302/01			DP.1111/15	2'5 $\frac{1}{2}$ "	BG.1506/01				FR.80	
	G50/GS	SC.1302/01			DP.1111/15	1'10"	BG.1507/00				FR.80	
JAMES	11 Comet 100 98cc	SN.3170/04			DP.1110/20	4'7"	BG.5330/227				F.70	
	115A Cadet 150 147cc	SN.3170/04			DP.1110/20	4'7"	BG.5330/227				F.70	
	L20S 172cc	SN.3170/04			DP.1110/20	4'7"	BG.5330/227				FR.70	
	SC1 Scooter 150cc	SN.3170/47			DP.1110/24	3'0"	BG.5330/037				FR.75	
	N.25	SN.3170/02			DP.1111/16	3'0"						
	Ballymaster Scooter	N.O.M.			DP.1111/15	4'2"	BG.1506/01				FR.75	
	G2 248cc	SN.3170/22	SE.3170/59		DP.1110/22	5'2"	BG.5330/227				FR.80	
	G2S	SN.3170/22	SN.3170/59		DP.1110/22	5'2"	BG.5330/227				FR.80	
	G2S 248cc	SN.3170/31	SN.3170/34		DP.1110/22	5'2"	BG.5330/267				FR.80	
	G3 347cc	SC.1301/02	SC.1301/03		DP.1110/22	5'2"	BG.5330/267				FR.80	
LAMBERTA	G3S	SC.1301/02	SC.1301/03		DP.1110/22	5'5"	BG.5330/267			31-67 $\frac{1}{2}$ -110-01	FR.80	
	G3C 347cc	SC.1302/01	SC.1302/02		DP.1110/22	5'5"	BG.5330/267				FR.80	
	G5 348cc	SN.3170/26	SN.3170/27		DP.1110/22	5'3"	BG.5330/227				FR.80	
	G50 496cc			AIRC.2652N	DP.1111/15	1'10"	BG.1507/00				FR.80	
	G80 498cc	SC.1301/02	SC.1301/03		DP.1110/22	5'5"	BG.5330/267			31-67 $\frac{1}{2}$ -110-01	FR.80	
	G80CS 497cc	SC.1302/01	SC.1302/02		DP.1110/22	5'5"	BG.5330/267				FR.80	
	G12 Twin 646cc	SC.1303/02	SC.1301/03		DP.1110/22	5'2"	BG.1506/01				FR.80	
	G12CS Twin 646cc	SC.1302/01	SC.1300/02		DP.1110/22	5'2"	BG.5330/267				FR.80	
	G12CSR Twin 646cc	SC.1301/02	SC.1301/03		DP.1111/15	2'5 $\frac{1}{2}$ "	BG.1506/01				FR.80	
	G12CSR Twin 646cc	SC.1301/02	SC.1301/03		DP.1110/22	5'2"	BG.5330/267			31-67 $\frac{1}{2}$ -110-01	FR.80	
NORMAN	Lido 550c	SM.3101/00			DP.8231/02	2'11 $\frac{1}{2}$ "	BG.5348/111				F.70	
	Nappy 500c	SM.3101/00			DP.8231/02	2'11 $\frac{1}{2}$ "	BG.5348/111				F.75	
	BES Roadster (3 speed)	SN.3170/05			DP.1111/00	2'9"					F.80	
	BES Roadster (4 speed)	SN.3170/05			DP.1111/00	3'0"					F.80	
	BES Sports (3 speed)	SN.3170/05			DP.1111/00	2'9"					F.80	
	BES Sports (4 speed)	SN.3170/08			DP.1111/00	3'0"					F.80	
	BES Sports (4 speed)	SN.3170/08			DP.1111/00	3'0"					F.80	
	BES Sports (4 speed)	SN.3170/08			DP.1111/00	3'0"					F.80	
	BES Sports (4 speed)	SN.3170/08			DP.1111/00	3'0"					F.80	
	BES Sports (4 speed)	SN.3170/08			DP.1111/00	3'0"					F.80	

\* For Separate Inner & Outer Flexible Drives see Chart 1 (Page 9)  
 † Optional Equipment  
 \*\*\* Recommendation on request according to Tune & Fuel etc.

Mounting Ring MS.1001/01 also required  
 Special Machines for American Market.

Make	Model & Description	Speedometer		Rev Indicator	Flexible Drive #		Gear Box	Gear Box Pardon	Gear Ring	Speedometer Bracket	K.I.G. Sparking Plugs	Petroflex
		Miles	Kilos		Complete	Length						
FORMAN (Cont'd)	B4 Roadster Twin 249cc	SN.3170/02	SN.3170/03		DF.1111/00	3'2"					P.80	
	B4 Sports Twin 249cc	SC.3170/02	SN.3170/03		DF.1111/00	3'2"					P.80	
	B4C Trials	SC.1102/04	SC.1102/05		DF.1111/00	2'11"					P.80	
	B4C Scrambler	SC.1102/04	SC.1102/05		DF.1111/00	2'11"					P.80	
	Jubilee 250 249cc	SN.3170/26	SN.3170/27	ATRC.2652	DF.1110/24	5'1 1/2"	BG.5330/247				FS.100	
MORCON	40W 499cc	SC.3303/17	SC.3303/02		DF.1111/15	1'9"	BG.1507/01				***	
	50 348cc	SC.3303/17	SC.3303/02		DF.1110/22	5'7 1/2"	BG.5330/257				FS.80	
	ES2 490cc	SC.3303/17	SC.3303/02		DF.1110/22	5'7 1/2"	BG.5330/257				FS.80	
	88 Dominator 497cc	SC.3303/17	SC.3303/02	ATRC.2652	DF.1111/15	1'9"	BG.1507/01				***	
	90M 346cc	SC.3303/17	SC.3303/02		DF.1110/22	5'7 1/2"	BG.5330/257			31-674-103-01	FS.80	
	99 Dominator 597cc	SC.3303/17	SC.3303/11		DF.1110/22	5'7 1/2"	BG.5330/257				FS.80	
	650/99 650cc	SC.3303/17	SC.3303/11		DF.1111/18	2'8"	BG.1506/05				FS.80	
	650/99 650cc	SC.3303/17	SC.3303/11		DF.1110/22	5'7 1/2"	BG.5330/257				FS.80	
	Normad	SC.3303/24	SC.3303/02		DF.1110/22	5'7 1/2"	BG.5330/257				FS.80	
	88 Deluxe	SC.3303/17	SC.3303/02		DF.1110/22	5'7 1/2"	BG.5330/257				FS.80	
99 Deluxe	SC.3303/17	SC.3303/02		DF.1110/22	5'7 1/2"	BG.5330/257				FS.80		
PASELEY	Rickshaw (Shaft Drive Model)	SC.3303/26 *		RC.1302/00	DF.1111/22	4'0"	BG.2500/06			31-674-110-01		
	Pashley/Enfield Heavy Duty PV.70	SC.1101/06	SN.3170/41		DF.1111/15	5'4"	BG.2507/08	41-280-113-00	31-812-302	31-163-103-01		
PANTHER (FELTON & MOORE)	Princess TS.175cc (6 volt)	SN.3170/49			DF.1111/15	4'3"					P.75	
	Princess TS.175cc (12 volt)	SN.3170/50			DF.1111/15	4'3"					P.75	
	10/3A TS.197cc	SN.3170/45			DF.1111/15	5'0"					P.75	
	10/4 TS.197cc	SN.3170/08			DF.1111/15	3'1"	BG.2517/00				P.75	
	35 Sports Twin 249cc	SN.3170/02			DF.1111/15	3'1"					P.75	
	45 Sports Twin 324cc	SN.3170/24	SN.3170/03		DF.1111/15	3'1"					P.75	
	50 Sports Twin 324cc	SN.3170/24			DF.1111/15	3'1"					P.75	
PHILLIPS	Gadabout 49cc	SM.5101/02			DF.6231/02	2'1"	BG.5339/121				P.50	
	Standard 150cc	SM.3170/51			EP.1106/14	5'1"	BG.5101/11				P.75	
PHOENIX SCOOTERS	Standard 175cc	SM.3170/51			EP.1106/14	5'1"	BG.5101/11				P.75	
	Standard 197cc	SM.3170/51			EP.1106/14	5'1"	BG.5101/11				P.80	
	Model S 150cc	SM.3170/10			EP.1106/14	5'1"	BG.5101/11					
	Model S 175cc	SM.3170/10			EP.1106/14	5'1"	BG.5101/11					
	Model S 197cc	SM.3170/10			EP.1106/14	5'1"	BG.5101/11					
	Super Deluxe 150cc	SM.3170/10			EP.1106/14	5'1"	BG.5101/11					
	Super Deluxe 175cc	SM.3170/10			EP.1106/14	5'1"	BG.5101/11					
	Super Deluxe 197cc	SM.3170/10			EP.1106/14	5'1"	BG.5101/11					
	Model T 250cc	SM.3170/51			EP.1111/15	5'8"	BG.5101/11				P.80	
	Model T 325cc	SM.3170/10			EP.1111/15	5'8"	BG.5101/11					
RALEIGH	Moped 49cc	SM.3110/00			EP.7302/01	2'2"		80622	80620		P.75	

\* For Separate Inner & Outer Flexible Drives see Chart I (Page 9)

\* For Speedometer with alternative speed range see Chart II (Page 9)

\*\*\* Recommendation on request according to Tune & Fuel etc.



Make	Model & Description	Speedometer		Rev Indicator	Flexible Drive †		Gear Box	Gear Box Pinion	Gear Ring	Speedometer Bracket	K.L.G. Sparking Plugs	Petroflex
		Miles	Kilos		Complete	Length						
ROYAL ENFIELD	Prince 148cc	SN.3170/02	SN.3170/03		DF.1110/20	2'1 1/2"	BG.5303/05				F.50	
	Prince Airflow 148cc	SC.1102/04	SC.1102/05		DF.1110/20	2' 3/8"	BG.5303/05				F.50	
	250 Clipper 248cc	SC.1304/04	SC.1304/06		DF.1110/21	4'4"	BG.5331/247				F.80	
	250 Clipper Airflow 248cc	SC.1304/04	SC.1304/06		DF.1110/30	4'9"	BG.5331/247				F.80	
	Crusader 248cc	SC.1304/04	SC.1304/06		DF.1110/21	4'4"	BG.5331/247				F.80	
	Crusader Airflow 248cc	SC.1304/04	SC.1304/06		DF.1110/30	4'9"	BG.5331/247				F.80	
	Crusader Sports 248cc	SC.1304/04	SC.1304/06	ARC.1302/00	DF.1110/21	4'4"	BG.5331/247				F.80	
	Crusader Sports Airflow 248cc	SC.1304/04	SC.1304/06	ARC.1302/00	DF.1111/15	3'7"	BG.1508/04				F.80	
	Crusader Super 5	SC.3303/20		ARC.1302/00	DF.1110/30	4'9"	BG.5331/247				F.80	
	250 Trials	SC.3303/14			DF.1110/30	4'4"	BG.5331/247				F.80	
	350 Madras	SC.1304/08			DF.1111/15	3'7"	BG.1508/04				F.70	
	350 Bullet 346cc	SC.1304/04			DF.1110/21	4'4"	BG.5331/247				F.70	
	350 Bullet Airflow 346cc	SC.1304/04			DF.1110/21	4'6"	BG.5331/247				F.70	
	Meteor Minor Deluxe 496cc	SC.1304/04	SC.1304/06		DF.1110/30	4'11"	BG.5303/10				F.75	
	Meteor Minor Deluxe Airflow 496cc	SC.1304/04	SC.1304/06		DF.1110/21	4'6"	BG.5303/10				F.75	
Meteor Minor Sports 496cc	SC.1304/04	SC.1304/06		DF.1110/30	4'11"	BG.5303/10				F.75		
Meteor Minor Sports Airflow 496cc	SC.1304/04	SC.1304/06		DF.1110/21	4'6"	BG.5303/10				F.75		
500 Bullet 496cc	SC.1304/02	SC.1304/03		DF.1110/30	4'11"	BG.5303/10				F.75		
500 Bullet Airflow 499cc	SC.1304/02	SC.1304/03		DF.1110/21	4'6"	BG.5303/10				F.75		
Super Meteor 692cc	SC.1304/02	SC.1304/03		DF.1110/30	4'11"	BG.5303/10				F.75		
Super Meteor Airflow 692cc	SC.1304/02	SC.1304/03	ARC.184	DF.1110/21	4'6"	BG.5303/10				F.75		
Constellation 692cc	SC.1304/02	SC.1304/03	ARC.184	DF.1111/15	3'7"	BG.1508/01				F.80		
Constellation Airflow 692cc	SC.1304/02	SC.1304/03	ARC.184	DF.1110/30	4'11"	BG.5303/10				F.80		
SUN	Sunmap Scooter 173cc (Siba Starter) (12v)	SN.3170/14			DF.1111/15	3'11"					F.80	
TRIUMPH	T31 Tiger 174cc	SN.3170/18			DF.1106/14	4'8 1/2"					F.100	
	T20 Tiger Cub 199cc	SN.3170/00	SN.3170/01	EH.1102/00	DF.1110/20	4'10"	BG.5330/247				F.80	
	T20S Tiger Cub Sports 199cc	SC.1102/11	SC.1102/12		DF.1110/22	4'10"	BG.5330/247				F.80	
	T20S Scrambler Cub	SC.1102/11	SC.1102/12		DF.1111/15	2'4"					F.75	
	T20SL Scrambler Cub	SN.3172/00	SN.3172/01	ABH.1102/00	DF.1110/20	4'10"	BG.5330/247				F.75	
T20SL Scrambler Cub				DF.1111/15	2'4"	BG.5330/247				F.75		

† For Separate Lazer & Outer Flexible Drives see Chart I (Page 9)

\* Optional Trip Type Speedometers

† Optional Equipment

Make	Model & Description	Speedometer		Rev Indicator	Flexible Drive †		Gear Box	Gear Box Pinion	Gear Ring	Speedometer Bracket	K.J.G. Sparking Plugs	PetroFlex
		Miles	Kilos		Complete	Length						
TRIUMPH (Cont'd)	T20T Trials Cub	SC.1102/11	SC.1102/12		DF.1110/20	4'10"	EG.5330/247				P.80	
	T22 Tigress 250cc	SN.3170/18	SC.3304/18		DF.1106/14	4'8"	EG.5330/287			31-674-110-01	FE.75	
	5TA Twenty One 348cc	SC.3304/11	SC.3304/18		DF.1110/20	4'10"	EG.5330/287			31-674-110-01	P.75	
	5TA Speed Twin 430cc	SC.3304/11	SC.3304/18		DF.1110/20	4'10"	EG.5330/287			31-674-110-01	FE.100	
	T100/A Tiger 100 492cc	SC.3304/11	SC.3304/18		DF.1110/20	4'10"	EG.5330/287			31-674-110-01	FE.100	
	6T Thunderbird 649cc	SC.3304/24	SC.3304/25		DF.1106/11	3'8"						
	TF5A Road Model (Export only) 500cc	SC.5301/03	SC.5301/12		DF.1110/20	4'10"	EG.5330/287					
	TF5A Competition (Export only) 500cc	SC.5301/09	SC.5301/16		DF.1110/20	4'10"	EG.5330/287					
	TF6S Trophy 649cc	SC.5301/09	SC.5301/16		DF.1111/15	3'8"						FE.100
	T120 Bonneville 649cc	SC.5301/26	SC.5301/18		DF.1106/13	3'8"						FE.100
					DF.1111/15	2'4"						FE.100
	VELOCETTE	IE Mk.III 192cc	SN.3170/02	SN.3170/03		DF.1111/17	2'9"					TEH.L.30
Valiant Twin 192cc		SN.3170/02	SN.3170/03		DF.1111/17	2'9"					TEH.L.100	
Valiant Vee Line Twin 192cc		SN.3170/02	SN.3170/03		DF.1111/17	2'9"					TEH.L.100	
Viper 349cc		SC.3308/00	SC.3308/01		DF.1110/22	5'5"	EG.5303/11			31-674-110-01	FE.100	
Viper Clubmans 349cc		SC.3308/00	SC.3308/01	ARC.1702/02	DF.1111/15	3'0"	EG.1507/02			31-674-110-01	FE.80	
MSS 499cc		SC.3308/00	SC.3308/01		DF.1110/22	5'5"	EG.5303/11			31-674-110-01	FE.100	
Venom 499cc		SC.3308/00	SC.3308/01		DF.1110/22	5'5"	EG.5303/11			31-674-110-01	FE.100	
Venom Clubmans 499cc		SC.3308/00	SC.3308/01	ARC.1302/02	DF.1111/15	3'0"	EG.1507/02				FE.100	
Venom (Special Export Orders)		SC.3308/00	SC.3308/01	ATRC.2652	DF.1111/15	3'0"	EG.1507/02			31-674-110-01	FE.100	
Enhance 499cc		SN.3170/32	SC.3308/01		DF.1110/22	5'5"	EG.5303/11				FE.80	
Vicerey Scooter		SC.3308/00	SC.3308/01		DF.1111/17	5'7"	EG.5303/11				FE.100	
Scrambler 349cc		SC.3308/00	SC.3308/01		DF.1110/22	5'5"	EG.5303/11				FE.100	
Scrambler 499cc	SC.3308/00	SC.3308/01		DF.1110/22	5'5"	EG.5303/11				FE.100		

† For Separate Inner & Outer Flexible Drives see Chart I (Page 9)

‡ Optional Equipment

‡‡ (Optional) Equipment for Home-market & Star® and Equid Unit for 'Service-Mark'



### Chart I FLEXIBLE DRIVES

Flexible Drive (Complete)	Inner Flexible Drive (Only)	Outer Flexible Drive (Only)
DF.1106/11	DI.1124/00	DO.1106/11
DF.1106/13	DI.1124/00	DO.1106/13
DF.1106/14	DI.1124/00	DO.1106/14
DF.1110/20	DI.1124/00	DO.1110/20
DF.1110/21	DI.1124/00	DO.1110/21
DF.1110/22	DI.1124/00	DO.1110/22
DF.1110/24	DI.1124/00	DO.1110/24
DF.1110/26	DI.1124/00	DO.1110/26
DF.1110/30	DI.1124/00	DO.1110/30
DF.1111/00	DI.1110/02	DO.1111/00
DF.1111/02	DI.1110/02	DO.1111/02
DF.1111/15	DI.1111/00	DO.1111/09
DF.1111/16	DI.1111/00	DO.1111/10
DF.1111/17	DI.1111/00	DO.1111/11
DF.1111/18	DI.1111/00	DO.1111/12
DF.1111/19	DI.1111/00	DO.1111/13
DF.1111/22	DI.1111/00	DO.1111/16
DF.7302/01	DI.7323/00	DO.7302/00
DF.8251/02		(Non Detachable)

Chart I, above, shows the code numbers of the separate Inner and Outer Flexible Drives which form the complete Flexible Drives listed in the specification section of this booklet.

### Chart II ALTERNATIVE SPEEDOMETERS

MILES		KILOS	
80 m.p.h.	120 m.p.h.	140 k.p.h.	180 k.p.h.
S.491/1/N	SC.5303/09	S.491/5/N	SC.5303/16
S.525/1/N	SC.5303/07	S.525/5/N	SC.5303/08
S.546/1/N	SC.5303/06	S.546/5/N	SC.5303/17
SC.3303/19	SC.3303/20	SC.3303/31	SC.3303/02
SC.3303/26	S.467/179/N	SC.5303/13	SC.5303/12
SC.3303/27	SC.3303/36	SC.3303/05	SC.3303/07

Chart II, above, shows instruments of a different speed range which are suitable as alternative to those marked with an asterisk in the specification section of this booklet.

# SMITHS

## Motor Cycle Equipment

Illustrated on these pages is a representative range of the most popular types of motor cycle equipment manufactured by Smiths.



### Speedometer 3" Chronometric Type

The movement is contained in a heavy pressed steel case, specially treated internally and externally against rust. The case is finished in black enamel and the screwed-on bezel is polished chromium plate. Also available with flange bezel and cadmium finished case for nacelle or headlamp installation.

Dial black with white figures and available with or without internal illumination.



### "D" Shaped Speedometer

Chronometric Type, for Lightweight Motor Cycles.

Finished in a rust-proofed, black enamelled case with clear white figures on a black dial. Also available with flange bezel for nacelle or headlamp installation.

The internal illumination provides a soft diffused light over the dial and pointer.



### 60 mm. Speedometer

Nemag movement also for lightweight motor cycles. Strap or handle-bar fixing. Variety of dial colourings to choose from.

### 60 mm. Revolution Indicators

Revolution Indicators to match the 60 mm. speedometer are available. Maximum revolutions per minute, ratio and rotation available in any combination of the following:

MAX. R.P.M. 10,000 12,000 16,000

RATIO 2:1 4:1 4:1

ROTATION Clockwise or anti-clockwise.



### 3" Revolution Indicators

Chronometric movement.

Black dial, white figures and pointer, chrome bezel.

Right angle drive can be built in. A maximum hand may be incorporated if required.

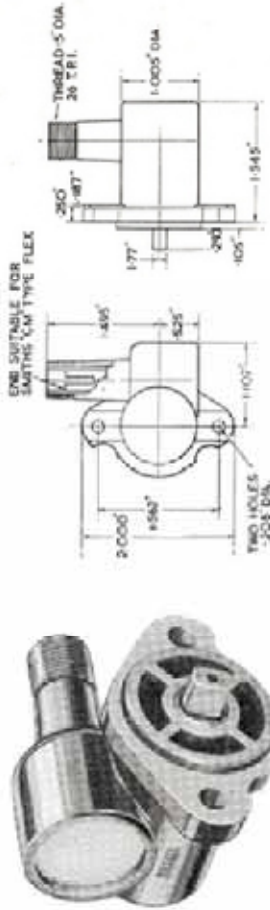
Maximum revolutions per minute, ratio and rotation available in any combination of the following:

MAX. R.P.M. 8,000 9,000 10,000 12,000

RATIO 2:1 4:1 4:1 4:1

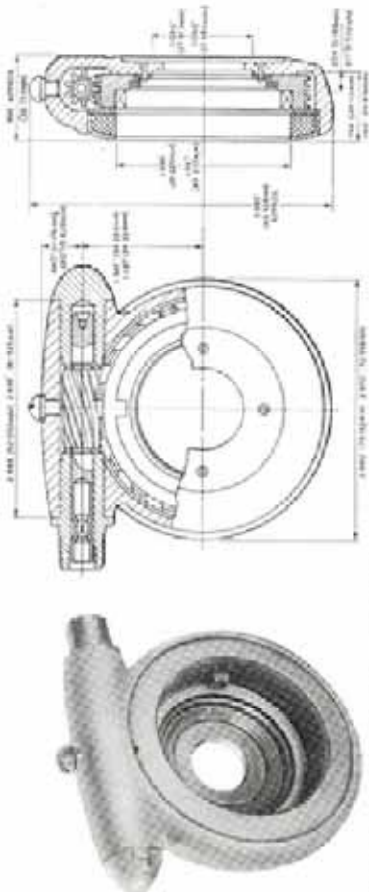
ROTATION Clockwise or anti-clockwise





**Gear Box Code No. BG. 1508 Series (Replacing 70549 Series)**

These gear boxes reverse the rotation of the shaft to which they are attached. The rotation is determined by looking immediately on to the end of the engine spindle with which the gear box or flexible drive is engaged.  
Plain phosphor bronze bearings. Ratios 1 : 1 and 2 : 1.  
Suitable Flexible Drive DF. 1111/15 (Black PVC) or DF. 1111/12 (Grey PVC)

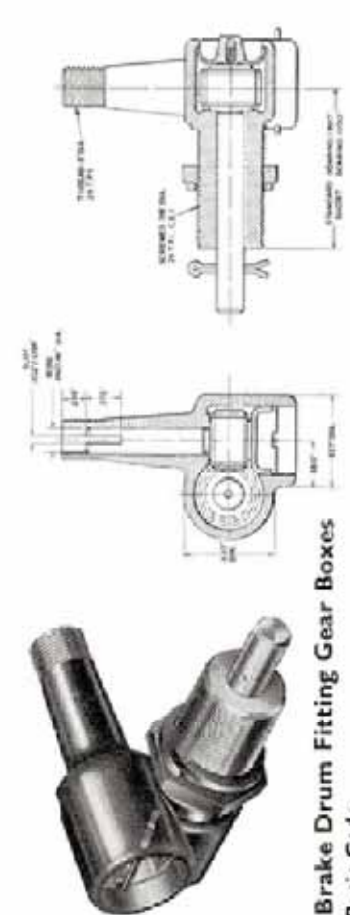


**Gear Box Code No. BG.5331 & BG.5333 Series**

(Replacing 52283/50-88, BG.5101 & BG.5103 Series)  
This hub gear box has a thicker body section than those in the BG. 5303 Series (Previously 52283/1-49 Series) and uses the larger felt seal. It can be used where the hub is slotted to provide the necessary engagement or where other provision can be arranged. Clockwise or anti-clockwise input. Ratios: 1:1 & 2:1  
Suitable Flexible Drive DF. 1110/20 (Black PVC) or DF. 1110/24 (Grey PVC)



**FLEX COMPLETE DF. 1111/15 (Black PVC) INNER DI. 1111/00 OUTER DO. 1111/09**  
**DF. 1111/12 (Grey PVC) INNER DI. 1111/00 OUTER DO. 1111/08**



**Brake Drum Fitting Gear Boxes**

**Basic Code**  
BG.2504 Series (Replacing 34159 Series) Short Reach, Right Hand Gears  
BG.2511 Series (Replacing 70458 Series) Long Reach, Left Hand Gears  
BG.2500 Series (Replacing 25224 Series) Long Reach, Right Hand Gears  
BG.2510 Series (Replacing 70458 Series) Short Reach, Left Hand Gears  
Boxes available for either external gear ring drive or for internal brake-drum fitting, with left or right hand gears to maintain clockwise output.  
Suitable Flexible Drive for these right angle gear boxes: DF. 1111/15 (Black PVC) or DF. 1111/12 (Grey PVC)



**FLEX COMPLETE DF. 1110/20 (Black PVC) INNER DI. 1124/00 OUTER DO. 1110/24**  
**DF. 1110/24 (Grey PVC) INNER DI. 1124/00 OUTER DO. 1110/24**

The nominal length of a flexible drive is measured between points 'A' and 'B'

THREE WHEELERS, "TUBBLE" CARS, INVALID CHAIRS

Make	Model & Description	Speedometer		Rev Indicator	Flexible Drive #		Gear Box	Gear Box Pinion	Gear Ring	Speedometer Bracket	K.L.G Sparking Plugs	Petro-Flex
		Miles	Kiloes		Complete	Length						
BOGD	G 2/3 Seater Tourer	SN.4352/01			DF.1111/00	8'6"					P.75	
	G 2/3 Seater Coupe	SN.4352/01			DF.1111/00	8'6"					P.75	
	G 4 Seater Balcon	SN.4352/01			DF.1111/00	8'6"					P.75	
INVALID	Mk.12 Invalid Carriage	SN.3170/25			DF.1111/00	8'4"	BG.2507/07	42-280-118-00	31-81.2-303-01			
SCOOTICAR	TS 3 Wheeler (Standard)	SN.3170/15			DF.1111/02	6'6"					P.75	
	TS 3 Wheeler (De Luxe)	SN.3170/05			DF.1111/02	6'9 1/2"					P.75	
TILFEN	Delta Invalid Carriage	SN.3170/33			DF.1111/15	8'0"	BG.2507/09				P.80	

# SMITHS

HEAD OFFICE  
**CRICKLEWOOD WORKS,**  
**LONDON, N.W.2.**  
 Telephone : Gladstone 3333

# MOTOR ACCESSORY DIVISION

SALES AND SERVICE  
**50, OXGATE LANE,**  
**LONDON, N.W.2.**  
 Telephone : Gladstone 8030

Telegrams : Speedolite, London. Telex 22571.