

The
A.J.S.
Light Car
LIST OF
SPARE PARTS
Series A

A. J. STEVENS & CO. (1914) LTD.

GRAISELEY HOUSE,
WOLVERHAMPTON.

TELEPHONE 1731.
(SEVEN LINES)

TELEGRAMS
"HOPIT, WOLVERHAMPTON"

CODES

A. B. C. 5TH EDITION

A. B. C. 6TH EDITION

BENTLEY'S

MARCONI INTERNATIONAL

PRICE 1/3

ENTERED AT
STATIONERS' HALL.

PUBLICATION
No. 205.

IMPORTANT NOTICE.

The prices in this List are applicable ONLY to parts purchased in Great Britain and Northern Ireland.

These prices are no indication of the selling price of Spare Parts in other countries, since prices there must include Import Duties, etc., etc.

Further, these prices are subject to alteration without notice, and we reserve the right to charge for all parts supplied at prices ruling at the time of delivery.

A. J. STEVENS & CO. (1914) LTD.

November, 1930.

INTRODUCTION.

Please Read the Introduction carefully before
Ordering Spares.

1. **CORRESPONDENCE.** Always address your correspondence to:—

A. J. STEVENS & CO. (1914) LTD.,

Car Service,

Graiseley House,

WOLVERHAMPTON.

2. This Spare Parts List gives present prices of parts for the 9 h.p. A.J.S. Car. These, however, are subject to alteration without notice, and we reserve the right to charge prices ruling at the time of delivery.

3. It is imperative that the following information be given when ordering spares:—

1. Car number (found stamped on the metal plate fixed to the dash panel under the bonnet).
2. Part Number.
3. Description of part as given in this catalogue.

4. The Company cannot accept any responsibility for any incorrect parts being sent in cases where owners fail to comply with the above instructions.

5. It is advisable when in doubt, to forward patterns to which the senders name and address should be attached.

6. **TERMS OF PAYMENT.** Cash with order or cash against Proforma Invoice, plus carriage and packing. Crates and Cases are charged for and are not returnable.

7. **ORDERS BY TELEGRAM.** It is essential that the Car and Part numbers are quoted. If money is telegraphed be sure that your name and address appear in the text of the message, and, as an additional safeguard confirm your telegram by letter.

8. Parts sent to us for repair, replacement or as patterns should have sender's full name and address attached. Also separate instructions should be sent by the same post.

9. **ESTIMATES.** We are pleased to furnish an estimate for repair work; but reserve the right to charge for extra work or material found necessary to ensure a satisfactory repair—such additions not having been included in estimate or detected when dismantling. We do not hold ourselves responsible for any repair or overhaul when estimate has been curtailed. We reserve the right to charge for work done and preparation of estimate if same is not accepted.

10. Definite instructions regarding the return of parts sent for repair or replacement should be given. We cannot hold same in reserve beyond 7 days from completion of order.

11. Accessories requiring repair or replacement which are not of our manufacture should be sent direct to or ordered from the actual makers whose names appear on the goods in question.

12. We do not accept responsibility for Treasury Notes or Coins which are not sent to us per registered post. All payments should be made through separate post and not enclosed in parcels. The Company cannot accept any responsibility if the above instructions are not adhered to.

13. We do not hold ourselves responsible for loss or damage to goods in transit. All claims for compensation in this respect should be made by Client direct to G.P.O. or Transport Authorities.

14. Owing to extra work entailed and delay involved, we prefer not to send goods per C.O.D.

Part Number.	Description.	No. per Set.	Price, £ s. d.
1A	Engine.		
50A	Cylinder Block, with Valve Guides.	1	13 0 0
100A	Valve Guides.	8	1 9 ea.
150A	Studs for Cylinder Head, $\frac{1}{8}$ " B.S.F.	18	5 ea.
200A	Studs for Exhaust Branch, $\frac{1}{8}$ " B.S.F.	6	4 ea.
250A	Studs for Induction Pipe (Long), $\frac{1}{8}$ " B.S.F.	2	3 ea.
300A	Studs for Rear Bell Housing, $\frac{1}{8}$ " B.S.F.	7	3 ea.
350A	Studs for Crankshaft Bearing Caps, $\frac{1}{8}$ " B.S.F.	8	5 ea.
400A	Stud for Dynamo Flange, $\frac{1}{8}$ " B.S.F.	1	3
450A	Stud for Camshaft Bearing, $\frac{1}{8}$ " B.S.F.	2	3 ea.
500A	Stud for Oil Filler, $\frac{1}{8}$ " B.S.F.	2	3 ea.
550A	Stud for Induction Pipe (Short), $\frac{1}{8}$ " B.S.F.	2	3 ea.
600A	Rear Camshaft Bush.	1	10 0
650A	Exhaust Valve.	4	5 6 ea.
700A	Inlet Valve.	4	3 6 ea.
750A	Valve Spring Cup.	8	2 ea.
800A	Valve Spring.	8	8 ea.
850A	Valve Spring Washer.	8	6 ea.
900A	Cotter for Valves.	8	1 ea.
950A	Tappet.	8	2 9
1000A	Tappet Adjusting Screw.	8	6 ea.
1050A	Lock Nut for Tappet Adjusting Screw.	8	2 ea.
1100A	Crankshaft.	1	5 5 0
1150A	Front Crankshaft Bearing.	1	10 8
1200A	Centre Crankshaft Bearing.	1	10 8
1250A	Rear Crankshaft Bearing.	1	9 6
1300A	Dowels for Crankshaft Bearing.	3	2 ea.
1350A	Dowels for Crankshaft Bearing Caps.	6	2 ea.

Part Number.	Description.	No. per Set.	Price, £ s. d.
1350A	ENGINE—Continued.		
1400A	Lock Washers for Front and Centre Bearing Caps.	4	2 ea.
1450A	Locking Strips for Rear Bearing Cap.	8	2 ea.
1500A	Nuts for Bearing Caps, $\frac{1}{8}$ " B.S.F.	1	2 10 0
1550A	Camshaft.	1	4 6
1600A	Camshaft Bearing Front.	2	1 ea.
1650A	Spring Washers for Camshaft Bearing.	2	2 ea.
1700A	Nuts for Camshaft Bearing.	4	10 6 ea.
1800A	Piston Body.	4	1 9 ea.
1820A	Piston Ring (Scraper), Vertical Slot.	4	1 9 ea.
1850A	Piston Ring (Scraper), Angular Slot.	8	1 0 ea.
1900A	Connecting Rod, complete.	4	1 0 0 ea.
2000A	Bolts for Connecting Rod.	8	4 ea.
2050A	Castle Nuts for Connecting Rod, $\frac{1}{8}$ " B.S.F.	8	3 ea.
2100A	Split Pin for Connecting Rod.	8	1 ea.
2150A	Gudgeon Pin.	4	1 6 ea.
2200A	Split Taper Pin for Gudgeon Pin.	4	3 ea.
2250A	Oil Pump, complete.	1	1 12 0
2300A	Oil Pump Body.	1	9 0
2350A	End Plate for Oil Pump Body.	1	9
2400A	Oil Pump Gear (Driven).	1	3 3
2450A	Oil Pump Gear Spindle.	1	2 6
2500A	Oil Pump Gear Spindle (Camshaft Drive).	1	2 3
2550A	Key for Oil Pump Spindle, $\frac{1}{8}$ " x $\frac{1}{4}$ ".	1	2
2600A	Oil Pump Gear (Driver).	1	3 6
2650A	Joint Washer for Oil Pump Body.	1	2
2700A	Oil Pump Cover.	1	8 0
2750A	Key for Oil Pump Gear.	1	2

6 When ordering quote Part Number, Description and Car Number.

Part Number.	Description.	No. per Set.	Price. £ s. d.
2750A	ENGINE—Continued. Oil Pump Gear (Camshaft Drive).	1	4 3.
2800A	Thrust Washer for Gear Spindle.	1	2
2850A	Joint Washer between Pump and Block.	1	3
2900A	Spring Washers for Pump Body.	5	1 ea.
2950A	Set Pins for Pump Body, $\frac{1}{8}$ " B.S.P.	5	3 ea.
3000A	Oil Pump Dust Cover.	1	0
3050A	Plain Washers for Dust Cover.	1	1
3100A	Set Pin for Dust Cover.	1	2
3150A	Joint Washer for Suction Pipe.	1	2
3200A	Suction Pipe for Oil Pump.	1	10 0
3250A	Ball for Suction Pipe, $\frac{1}{4}$ " Dia.	1	1
2900A	Spring Washers for Suction Pipe.	2	1 ea.
3350A	Set Pins for Suction Pipe.	2	3 ea.
3400A	Joint Washer for Oil Pressure Release.	1	2
3450A	Oil Pressure Release Body.	1	3 6
3500A	Sleeve for Oil Release Body.	1	8
3550A	Spring for Pressure Release.	1	1
3570A	Packing Shim for Release Spring.	As Reqd.	1 ea.
3250A	Ball for Release Body, $\frac{1}{4}$ " Dia.	1	1
3050A	Plain Washers for Release.	2	1 ea.
3700A	Set Pins for Release Body.	2	2 ea.
3750A	Joint Washer for Oil Sump.	1	1 9
3800A	Oil Sump Tray and Gasket.	1	6 6
3850A	Oil Sump.	1	10 6
3900A	Drain Plug for Oil Sump, $\frac{1}{2}$ " Gas.	1	8
3950A	Level Plug for Oil Sump, $\frac{1}{2}$ " Gas.	1	6
2900A	Spring Washers for Oil Sump.	20	1 ea.
4050A	Set Pins for Oil Sump, $\frac{1}{8}$ " B.S.P.	28	1 ea.

7 When ordering quote Part Number, Description and Car Number.

Part Number.	Description.	No. per Set.	Price. £ s. d.
4100A	ENGINE—Continued. Oil Pump Filter Cover Joint.	1	3
4150A	Oil Pump Filter, complete.	1	3 6
2900A	Spring Washers for Oil Pump Filter.	6	1 ea.
4250A	Set Pins for Oil Filter, $\frac{1}{8}$ " B.S.P.	6	2 ea.
4300A	Joint Washer for Dynamo.	1	2
4400A	Bolts for Dynamo Flange, $\frac{1}{2}$ " B.S.P.	2	4 ea.
4450A	Spring Washers for Dynamo Flange.	3	1 ea.
4650A	Nuts for Dynamo Flange, $\frac{1}{2}$ " B.S.P.	3	2 ea.
4350A	Dynamo Chain Wheel.	1	15 0
4600A	Camshaft Thrust Washer.	1	9
4650A	Key for Camshaft, $1" \times \frac{1}{8}"$.	1	2
4700A	Camshaft Chain Wheel.	1	15 0
4720A	Camshaft Chain Wheel.	1	15 0
4750A	Packing Washer for Starting Dog, .005".	As Reqd.	1 ea.
4800A	Packing Washer for Starting Dog, .010".	As Reqd.	1 ea.
4850A	Packing Washer for Starting Dog, .015".	As Reqd.	1 ea.
4900A	Starting Dog.	1	4 6
*4930A	Sleeve for Starting Dog.	1	1 0
4950A	Key for Camshaft, $\frac{1}{2}" \times \frac{1}{8}"$.	1	2
5000A	Camshaft Chain Wheel Centre.	1	6 0
5050A	Bolts for Camshaft Chain Wheel.	4	4 ea.
5100A	Camshaft Chain Wheel.	1	1 0 0
5150A	Locking Washers for Chain Wheel.	4	2 ea.
4650A	Nuts for Camshaft Chain Wheel.	4	1 ea.
5250A	Plain Washer for Camshaft.	1	1
5300A	Castle Nut for Camshaft.	1	6
5350A	Split Pin for Camshaft.	1	1

* NOTE.—Above Parts used only on Cars No. 4400 and upwards, including Export Model.

When ordering quote Part Number, Description and Car Number.

Part Number.	Description.	No. Per Set.	Price, £ s. d.
ENGINE—Continued.			
5400A	Timing Chain.	1	15 0
5450A	Joint Washer for Timing Cover.	1	3
5500A	Timing Cover for Cars up to A.	1	18 0
5550A	Timing Cover.	1	18 0
2900A	Spring Washers for Timing Cover.	15	1 ea.
2950A	Set Pins for Timing Cover, $\frac{1}{8}$ " B.S.F.	15	3 ea.
5650A	Joint Washer for Inspection Cover.	1	2
5700A	Timing Cover Inspection Cover.	1	1 0
3050A	Plain Washers for Inspection Cover.	3	1 ea.
4050A	Set Pins for Inspection Cover.	3	3 ea.
5850A	Joint Washer for Timing Cover Plug.	1	1
5900A	Plug for Timing Cover.	1	4
1B	Cylinder Head Gasket.	1	4 0
50B	Cylinder Head.	1	2 10 0
100B	Plain Washers for Cylinder Head.	18	1 ea.
150B	Nuts for Cylinder Head (Domed), $\frac{1}{8}$ " B.S.F.	18	3 ea.
200B	Clips for H.T. Leads.	2	6 ea.
250B	H.T. Lead Carrier.	1	1 0
2900A	Spring Washers for H.T. Clips.	2	1 ea.
4250A	Set Pin for H.T. Clips.	2	2 ea.
400B	H.T. Lead Terminal.	4	2 ea.
420B	H.T. Lead Cable	4	0 ea.
450B	Exhaust Branch Joint (Single).	2	2 ea.
500B	Exhaust Branch Joint (Double).	1	6
530B	Exhaust Branch.	1	10 0
450A	Studs for Carburetter, $\frac{1}{8}$ " B.S.F.	2	2 ea.
650B	Plain Washers for Exhaust Branch.	6	1 ea.
700B	Nuts for Exhaust Branch (Domed), $\frac{1}{8}$ " B.S.F.	6	3 ea.

When ordering quote Part Number, Description and Car Number.

Part Number.	Description.	No. per Set.	Price, £ s. d.
ENGINE—Continued.			
750B	Induction Pipe Joints on Cylinder Block.	2	2 ea.
770B	Induction and Exhaust Manifold Joint (combined)	1	1 2
800B	Induction Pipe Joints on Exhaust Branch.	2	2 ea.
850B	Induction Pipe Elbow R.H.	1	3 6
900B	Induction Pipe Elbow, L.H.	1	3 6
1600A	Spring Washer for Elbows.	4	1 ea.
700B	Nuts for Elbows (Domed), $\frac{1}{8}$ " B.S.F.	4	3 ea.
1600A	Spring Washers for Flange to Exhaust Branch.	2	1 ea.
1100B	Set Pins for Flange, $\frac{1}{8}$ " B.S.F.	2	2 ea.
1150B	Bolt for Induction Pipe Elbows.	1	3
1600A	Spring Washer for Elbows.	1	1
1650A	Nut for Elbows.	1	2
1300B	Joint Washer for Carburetter.	1	2
650B	Plain Washers for Carburetter Flange.	2	1 ea.
1650A	Nuts for Carburetter Flange.	1	1 ea.
1500B	Rear Bell Housing.	1	1 5 0
450A	Studs for Engine Arms.	8	3 ea.
1600B	Dowels for Rear Bell Housing.	2	2 ea.
1650B	Bolt for Rear Bell Housing.	1	4
1600A	Spring Washers for Bell Housing.	8	1 ea.
1650A	Plain Nuts for Bell Housing.	8	1 ea.
1800B	Engine Arm (Outside), complete.	1	4 0
1850B	Engine Arm (Nearside), complete.	1	4 0
1000A	Spring Washers for Engine Arms.	8	1 ea.
1650A	Plain Nuts for Engine Arms.	8	1 ea.
2000B	Flywheel.	1	4 0 0
2050B	Pinion Pin for Clutch.	3	6 ea.
2100B	Clutch Spring Bolts.	6	4 ea.

Part Number.	Description.	No. per Set.	Price. f. s. d.	Part Number.	Description.	No. per Set.	Price. f. s. d.
2150B	Dowel for Flywheel.	1	2	2900A	ENGINE—Continued. Spring Washers for Water Plate.	6	1 ea.
2200B	Lock Washers for Flywheel.	6	3 ea.	4050A	Set Pins for Water Plate, $\frac{1}{2}$ " B.S.F.	6	1 ea.
2250B	Set Pins for Flywheel.	6	2 ea.	3750B	Sparking Plug.	4	6 0 ca.
2300B	Valve Chamber Cover Joint.	1	6	3900B	Plug for Oil Channel, $\frac{1}{2}$ " Gas.	2	4 ca.
2350B	Valve Chamber Cover.	1	2 6	3850B	Oil Tap for Oil Gauge.	1	1 6
2400B	Washer for Cover Nut.	2	1 ea.	3900B	Fibre Washer for Oil Tap for Oil Gauge.	1	1
2450B	Nut for Valve Chamber Cover.	2	3 ea.	4000B	Plug for Cylinder Head (when Fan is not used).	1	4
2500B	Stud for Valve Chamber Cover.	2	5 ea.	4050B	Joint Washer for Plug for Cylinder Head.	1	1
2550B	Joint Washer for Oil Filler.	1	1				
2600B	Oil Filler Casting.	1	3 6				
2650B	Stud for Oil Filler.	2	2 ea.				
650B	Plain Washers for Oil Filler.	2	1 ea.				
1650A	Plain Nuts for Oil Filler, $\frac{1}{2}$ " B.S.F.	2	1 ea.				
2800B	Oil Filler Gause.	1	1 0				
2850B	Oil Filler Cap, complete.	1	6				
2900B	Wing Nut for Filler Cap.	1	3				
2950B	Special Wing Nut for Filler Cap.	1	3				
8050B	Bolts for Starter Flange, $\frac{1}{2}$ " B.S.F.	2	6 ea.				
4450A	Spring Washers for Starter Flange.	2	1 ea.				
1450A	Nuts for Starter Flange.	2	2 ea.				
3200B	Dipper Stick Rod.	1	5				
3250B	Tube for Dipper Stick Rod.	1	1 0				
3300B	Joint Washer for Water Inlet Pipe.	1	2				
3350B	Water Inlet Pipe.	1	3 0				
650B	Plain Washers for Water Inlet Pipe.	2	1 ea.				
8450B	Set Pins for Water Inlet Pipe.	2	3 ea.				
3550B	Rear Water Plate.	1	2 6				
9600B	Joint Washer for Water Plate.	1	2				

Alterations and Additions Necessary for Fiting Fan to 9 h.p. Engine.

The following parts are only fitted to Export Models.

Fan Driving Pulley.	4600B	18 6
Support Pin for Fan Bracket	4700B	3
Fan Bracket.	4750B	4 6
Clip Bolt for Fan Bracket.	4800B	2
Spring Washer for Clip Bolt.	4850B	1
Nut for Clip Bolt.	4900B	2

Part Number.	Description.	No. per Set.	Price, f. s. d.
ALTERATIONS AND ADDITIONS NECESSARY FOR FITTING FAN TO 8 H.P. ENGINE—Continued.			
*4950B	Fan.	1	1 2 6
†4970B	Fan.	1	6
5000B	Oiler for Fan.	1	6
*5050B	Bearings for Fan.	2	6 6 ea.
†5070B	Bearings for Fan.	2	6 6 ea.
*5100B	Distance Piece for Fan Bearings.	1	6
†5130B	Distance Piece for Fan Bearings.	1	6
*5150B	Cap for Fan (Rear).	1	4
†5170B	Cap for Fan (Rear).	1	4
5200B	Fan Spindle.	1	1 0
100B	Plain Washer for Fan Spindle.	1	1
700B	Lock Nut for Fan Bearing, †" B.S.F.	1	2
*5350B	Screwed Cap for Fan.	1	8
†5370B	Screwed Cap for Fan.	1	8
4850B	Spring Washer for Fan Spindle.	1	1
5450B	Nut for Fan Spindle.	1	3
5500B	Fan Belt.	1	8 6
* NOTE.—The above parts are only fitted to Cars with Fans up to Nos. 4202.			
† NOTE.—These Parts are used only on Cars with Fans after Car No. 4202.			
10	Clutch Driving Plate, with Lining.	1	2 5 0
500	Clutch Lining.	2	4 3 ea.
1000	Rivets for Clutch Lining.	6	2 doz.

Part Number.	Description.	No. per Set.	Price, f. s. d.
CLUTCH—Continued.			
1500	Clutch Spring Plates.	1	15 0
2000	Jaws for Clutch Plates.	3	8 ea.
1600A	Spring Washers for Jaws.	3	1 ea.
3000	Nuts for Clutch Plate Jaws.	3	2 ea.
3500	Clutch Toggle Levers.	3	1 6 ea.
4000	Adjusting Screw for Toggle Levers.	3	2 ea.
4500	Lock Nut for Adjusting Screw.	3	1 ea.
5000	Clutch Plate Jaw Pins.	3	4 ea.
5500	Split Pins for Jaw Pins.	3	1 ea.
6000	Clutch Springs.	6	6 ea.
6500	Castle Nuts for Clutch Spring Bolts.	6	3 ea.
7000	Split Pins for Clutch Spring Bolts.	6	1 ea.
7500	Bolts for Gearbox to Bell Housing.	6	3 ea.
1600A	Spring Washers for Gearbox Bolts.	6	1 ea.
1650A	Nuts for Gearbox Bolts.	6	1 ea.
Gearbox.			
8000	Gearbox Casing with Studs.	1	5 10 0
8500	Studs for Gearbox Front Cover, †" B.S.F.	4	2 ea.
10000	Studs for Gearbox Rear Cover, †" B.S.F.	3	3 ea.
10500	Studs for Gearbox Top Cover, †" B.S.F.	8	2 ea.
8900A	Gearbox Drain Plug, †" Gas.	1	8

14 When ordering quote Part Number, Description and Car Number.

Part Number.	Description.	No. per Set.	Price. £ s. d.
3950A	Oil Level Plug, 1/2" Gas.	1	6
3800B	Plug for Reverse Shaft, 1/2" Gas.	1	4
3900A	Gearbox Filler Plug, 1/2" Gas.	1	8
13000	Ball for Release Valve.	1	2
13500	Plug for Clutch Pedal Shaft.	1	3
14000	Layshaft Gear with Bushes.	1	3 3 0
14500	Bush for Layshaft Gear.	2	2 0 ea.
15000	Layshaft Spindle.	1	10 0
15500	Thrust Washer for Layshaft Gear.	1	1
16000	Reverse Gear with Bushes.	1	1 15 0
16500	Bush for Reverse Gear.	2	2 6 ea.
17000	Reverse Shaft.	1	10 0
17500	Thrust Washer for Reverse Shaft.	1	1
18000	Sleeve Gear.	1	2 0 0
18500	Thrust Washer for Sleeve Gear.	1	3 0
19000	Bush for Sleeve Gear.	1	2 6
19500	Oil Thrower for Sleeve Gear.	1	1
20000	Ball Race for Sleeve Gear.	1	12 3
20500	Roller Cage for Sleeve Gear.	1	4 0
21000	Felt Washer for Sleeve Gear.	1	12 0
21500	Plate for Felt Washer.	1	3
22000	Rollers for Sleeve Gear, 1/2" Dia.	12	2 8 set.
22500	Roller Housing for Sleeve Gear.	1	5 6
23000	Oil Retainer for Sleeve Gear.	1	1 0
23500	Distance Washer for Sleeve Gear Bearing.	1	1
3050A	Plain Washers for Front Cover, 1/2" Dia.	4	1 ea.
24500	Nuts for Front Cover, 1/2" B.S.F.	4	2 ea.

15 When ordering quote Part Number, Description and Car Number.

Part Number.	Description.	No. per Set.	Price. £ s. d.
25000	Mainshaft.	1	1 15 0
25500	Oil Thrower for Mainshaft.	1	2
26000	Ball Race for Mainshaft.	1	12 9
26500	1st and Reverse Sliding Gear.	1	1 0 0
27000	2nd and Top Sliding Gear.	1	1 0 0
27500	Propeller Shaft Speedometer Gear.	1	5 6
28000	Crub Screw for Speedometer Gear.	1	2
28500	Speedometer Gearbox.	1	9 0
29000	Washer for Speedometer Gearbox.	1	2
29500	Felt Washer for Speedometer.	1	3
30000	Locking Plate for Striking Fork Shafts.	1	1
2900A	Washers for Speedometer Gearbox, 1/2" Dia.	3	1 ea.
24500	Nuts for Speedometer Gearbox, 1/2" B.S.F.	3	2 ea.
31500	Gear for Speedometer Cable.	1	2 0
32000	Bush for Speedometer Gear.	1	4 6
32500	Screws for Speedometer Gearbox, 1/2" B.S.F.	2	2 ea.
33000	Gearbox Universal Joint Spider.	1	8 0
33500	Flange for Propeller Shaft on Gearbox (for Hardy Spicer Shaft).	1	7 0
34000	Bolt for Universal Joint Spider.	3	4 ea.
34500	Locking Washer for Spider.	1	1
34500	Lock Nut for Mainshaft.	1	0
35000	Grease Gun Nipple for Speedometer Gearbox.	1	4
35500	1st and Reserve Striking Fork Shaft.	1	4 0
36000	2nd and Top Striking Fork Shaft.	1	4 0
36500	Syring for Striking Fork.	1	2
37000	Ball for Striking Fork, 1/2" Dia.	2	2 ea.
37500	Striking Fork.	2	9 0 ea.
38000	Plug for Striking Fork.	2	4 ea.

16 when ordering quote Part Number, Description and Car Number.

Part Number.	Description.	No. per Set.	Price, £ s. d.
GEARBOX—Continued.			
38500	Stop Plate for Change Speed.	1	3 0
39000	Ball for Stop Plate, $\frac{3}{8}$ " Dia.	1	2
39500	Clutch Pedal Shaft.	1	8 0
2500A	Keys for Clutch Pedal Shaft.	2	2 ea.
40300	Clutch Withdrawal Levers.	2	5 6 ea.
41000	Split Tapes: Pins for Withdrawal Levers.	2	1 ea.
41800	Clutch Pedal Return Spring.	1	3
42000	Clutch Pedal.	1	10 6
42500	Bolt for Clutch Pedal, $\frac{3}{8}$ " B.S.F.	1	3
4450A	Spring Washer for Clutch Pedal, $\frac{3}{8}$ ".	1	1
1450A	Nut for Clutch Pedal Bolt, $\frac{3}{8}$ " B.S.F.	1	2
14000	Stop Screw for Clutch Pedal.	1	3
1650A	Lock Nut for Stop Screw.	1	2
45000	Clutch Thrust Race Housing.	1	12 6
45500	Clutch Thrust Race.	1	18 0
16000	Washer for Thrust Race.	1	2
46500	Clutch Inspection Cover.	1	1 0
47000	Spring Washers for Cover.	4	1 ea.
47500	Screws for Inspection Cover, $\frac{3}{8}$ " Whit.	4	2 ea.
48000	Gearbox Top Cover complete.	1	5 8
48500	Joint Washer for Top Cover.	1	4
2900A	Spring Washers for Top Cover.	8	1 ea.
24500	Nuts for Gearbox Top Cover.	8	2 ea.
50000	Change Speed Gearbox Lever complete.	1	9 6
50500	Cap for Gearbox Top Cover.	1	5 6
51000	Joint Washer for Top Cover Cap.	1	2
51500	Change Speed Lever Tube.	1	2 3
92500	"Kolok" Washer for Lever Tube Bolt, $\frac{1}{4}$ " Dia.	1	1

17 When ordering quote Part Number, Description and Car Number.

Part Number.	Description.	No. per Set.	Price, £ s. d.
GEARBOX—Continued.			
53000	Bolt for Change Speed Lever Tube.	1	2
53500	Change Speed Lever Reverse Stop Rod, with Toggle.	1	1 6
54000	Spring for Stop Rod.	1	2
54500	Lock Nut for Stop Rod.	1	2
55000	"Kolok" Washer for Stop Rod.	1	1
55500	Change Speed Lever Top Ball.	1	9
56000	Studs for Top Cover Cap.	3	2 ea.
2900A	Spring Washers for Top Cover Cap.	3	1 ea.
57000	Nuts for Top Cover Cap.	3	2 ea.
Front Axle.			
1D	Front Axle Beam.	1	3 10 0
50D	Studs for Cross Shaft Brackets.	4	3 ea.
100D	Cross Shaft Bracket R.H., with Bushes	1	6 0
150D	Cross Shaft Bracket L.H., with Bushes.	1	6 0
35000	Grease Gun Adaptors for Brackets.	2	6 ea.
250D	Bush for Cross Shaft Brackets.	4	10 ea.
1600A	Spring Washers for Brackets.	4	1 ea.
1650A	Nuts for Cross Shaft Brackets.	4	1 ea.
400D	Brake Cross Shaft, R.H.	1	1 0
450D	Brake Cross Shaft, L.H.	1	1 0
500D	Brake Cam, Operating Lever R.H.	1	2 6

18 When ordering quote Part Number, Description and Car Number.

Part Number.	Description.	No. per Set.	Price. £ s. d.
FRONT AXLE—Continued.			
550D	Brake Cam, Operating Lever L.H.	1	2 6
600D	Adjusting Screw for Operating Lever.	2	2 ea.
650D	Lock Nut for Adjusting Screw.	2	1 ea.
700D	Front Brake Adjusting Lever.	2	3 6 ea.
750D	Cotter for Levers.	4	2 ea.
8050A	Washers for Levers.	4	1 ea.
2450C	Nuts for Levers.	4	1 ea.
900D	Front Axle Swivel R.H., complete.	1	2 0 0
950D	Swivel Top Bush.	2	3 6 ea.
1000D	Swivel Friction Ru.	2	4 6 ea.
3500C	Grease Gun Adaptor for Swivels.	4	6 ea.
1100D	Front Axle Swivel L.H., complete.	1	2 0 0
1150D	Front Brake Drum Dust Cover.	1	1 3
1200D	Brake Shoe Bracket R.H., complete.	1	12 6
1250D	Brake Cam Bush.	2	10 ea.
1300D	Brake Shoe Swivel Pin.	2	2 6 ea.
3500C	Grease Gun Adaptor.	2	6 ea.
1400D	Brake Shoe Bracket L.H., complete.	1	12 6
1450D	Bolts for Brake Shoe Bracket.	8	3 ea.
4450A	Spring Washers for Bracket Bolts.	8	1 ea.
1450A	Nuts for Bracket Bolts.	8	1 ea.
1600D	Front Hub End Cover.	2	8 6 ea.
4650D	Wheel Studs.	8	6 ea.
1700D	Swivel Distance Piece.	2	8 ea.
1750D	Felt Washer for Front Hub.	2	3 ea.
1800D	Felt Washer Retainer.	2	3 ea.
2000C	Front Hub Large Bearing.	2	12 9 ea.
1900D	Washer for Large Bearing.	2	1 ea.

19 When ordering quote Part Number, Description and Car Number.

Part Number.	Description.	No. per Set.	Price. £ s. d.
FRONT AXLE—Continued.			
1950D	Slotted Nut for Front Bearing.	2	1 0 ea.
2000D	Split Pin for Slotted Nut.	2	1 ea.
2050D	Front Hub.	2	17 6 ea.
2100D	Front Hub Small Bearing.	2	8 0 ea.
2150D	Set Pins for Front Hub.	4	3 ea.
3950A	Plug for Front Hub.	2	3 ea.
2250D	Front Axle Brake Cam. R.H.	1	3 6
2300D	Front Axle Brake Cam. L.H.	1	3 6
2350D	Brake Cam. Lever R.H.	1	3 9
2400D	Brake Cam. Lever L.H.	1	3 9
750D	Cotters for Cam. Levers.	2	2 ea.
3050A	Washers for Cotters, for Cam. Levers.	2	1 ea.
2450C	Nuts for Cotters, for Cam Levers.	2	ea.
2500D	Front Axle Brake Shoe L.H., with Lining and Rivets for Offside or Nearside.	2	9 3 ea.
2650D	Brake Shoe Lining.	4	4 8 pair.
2700D	Rivets for Lining.	32	3 doz.
2750D	Front Axle Brake Shoe R.H., with Lining and Rivets for Offside or Nearside.	2	9 3 ea.
2800D	Brake Shoe Spring.	4	3 ea.
2850D	Front Axle Brake Drum.	2	15 0 ea.
2900D	Counter Sunk Screws for Brake Drums.	4	1 ea.
2950D	Thrust Washer for Swivel.	2	3 ea.
3000D	Front Axle Swivel Pins, R.H.	1	3 6
3050D	Front Axle Swivel Pins, L.H.	1	3 6
3100D	Cotters for Swivel Pins.	2	3 ea.
3050A	Washers for Cotters.	2	1 ea.
2450C	Nuts for Cotters.	2	1 ea.
3250D	Dust Cover for Swivel Pins.	2	2 ea.
4250A	Set Pin for Dust Cover.	2	2 ea.

When ordering quote Part Number, Description and Car Number.

Part Number.	Description.	No. per Set.	Price, £ s. d.
FRONT AXLE—Continued.			
3300D	Cross Steering Lever.	2	5 0 ca.
3350D	Side Steering Lever.	1	5 0
4930A	Key for Steering Levers.	3	2 ea.
3450D	Washers for Steering Lever.	3	1 ea.
3500D	Castle Nut for Steering Lever.	3	3 ea.
3550D	Split Pin for Castle Nut.	3	1 ea.
3600D	Side Steering Arm Ball Pin.	3	2 0 ea.
3650D	Castle Nut for Ball Pin.	3	2 ea.
3700D	Split Pin for Castle Nut.	3	1 ea.
3750D	Cross Steering Tube with Adaptors.	1	1 4 6
3770D	Cross Steering Tube with Ends only.	1	15 6
3800D	Adaptor for Cross Steering Tube R.H.	1	2 6
3850D	Adaptor for Cross Steering Tube L.H.	1	2 6
3900D	Locknut for Adaptor R.H.	1	4
3950D	Locknut for Adaptor L.H.	1	4
4000D	Springs for Ball Sockets.	2	1 ea.
4050D	Ball Socket Plain.	2	6 ea.
4100D	Ball Socket Screwed.	2	10 ea.
5350A	Split Pin for Ball Sockets.	2	1 ea.
3500G	Grease Gun Adaptors for Steering Tube.	1	6
4250D	Spring Covers for Steering Tube Adaptors.	2	5 ea.

When ordering quote Part Number, Description and Car Number.

Part Number.	Description.	No. per Set.	Price, £ s. d.
Rear Axle.			
1E	Rear Axle Casing, complete (Offside).	1	2 11 0
30E	Rear Axle Casing complete (Nearside).	1	2 11 0
50E	Grease Retaining Washer (Either Side).	1	2 ea.
100E	Oil Filler Elbow.	1	1 8
150E	Oil Retaining Bush, R.H.	1	1 6
200E	Brake Cam. Spindle Bush (Either Side).	1	3
250E	Studs for Pinion Bearing Housing (Either Side).	3	2 ea.
300E	Plug for Oil Filler Elbow (Either Side).	1	1 2
3950A	Plug for Axle Case.	1	4
400E	Brake Drum Dust Cover (Either Side).	1	3 0
1300D	Brake Shoe Swivel Pin (Either Side).	1	3 4
500E	Grease Gun Adaptor for Brake Cam. Bush (Either Side).	1	6
3500G	Grease Gun Adaptor for Axle End Bracket (Either Side).	1	6
650E	Oil Retaining Bush, L.H.	1	1 6
680E	Felt Washer for Axle Shaft	1	4
700E	Differential Housing, Male and Female, complete.		1 15 0
750E	Crown Wheel and Spiral Bevel Pinion, 5½ to 1.		4 12 6 pair.
800E	Bevel Wheel for Differential.	2	10 6 ea.
850E	Pinion Wheel for Differential.	2	7 0 ea.
900E	Fulcrum Pin for Differential.	1	2 0
950E	Locking Peg for Differential.	1	2
1000E	Bolts for Differential Housing.	6	8 ea.
1050E	Tab. Washers for Housing (Long).	2	2 ea.
1100E	Tab. Washer for Housing (Short).	1	2
1150E	Nuts for Differential Housing Bolts.	6	2 ea.
1200E	Ball Race for Differential.	2	12 6 ea.
1250E	Thrust Race for Differential.	1	9 6
1300E	Packing Washer for Differential Thrust. 40-gauge.	As Req'd.	2 ea.

Part Number.	Description.	No. per Set.	Price, £ s. d.
REAR AXLE—Continued.			
1350E	Packing Washer for Differential Thrust. 22-gauge.	As Req'd.	2 ea.
1400E	Packing Washer for Differential Thrust. 28-gauge.	As Req'd.	2 ea.
4400C	Bolts for Axle Case, $\frac{1}{2}$ " x $1\frac{1}{2}$ ".	9	3 ea.
1600A	Spring Washers for Axle Case.	9	1 ea.
1650A	Nuts for Axle Case, $\frac{1}{2}$ " B.S.F.	9	1 ea.
1600E	Bearing Housing complete for Pinion.	1	15 0
450A	Studs for Bearing Housing.	6	2 ea.
1700E	Pinion Ball Races (Front).	1	14 6
1780E	Pinion Oil Thrower.	2	2 ea.
1800E	Pinion Ball Races (Rear).	1	14 6
1850E	Distance Tube for Pinion Ball Race.	1	1 8
1900E	Distance Washer for Pinion.	1	2
1950E	Adaptor for Felt Washer for Pinion.	1	5 6
29500	Felt Washer for Adaptor.	1	3
1600A	Spring Washers for Felt Washer Adaptor.	6	1 ea.
1650A	Nuts for Adaptor.	6	2 ea.
2150E	Pinion Universal Joint Spider.	1	10 0
2170E	Flange for Propeller Shaft on Rear Axle (Hardy Spicer).	1	7 6
34000	Lock Washer for Spider.	1	2
34500	Lock Nut for Spider.	1	4
2300E	Packing Washer for Pinion Housing.	As Req'd.	3 ea.
2350E	Packing Washer for Pinion Housing.	As Req'd.	3 ea.
4450A	Spring Washers for Pinion Bearing Housing.	6	1 ea.
1450A	Nuts for Pinion Bearing Housing.	6	2 ea.
2550E	Rear Axle Brake Cam, R.H.	1	7 0
2600E	Rear Axle Brake Cam, L.H.	1	7 0
2650E	Brake Cam. Lever.	2	9 0 ea.
7500D	Cotters for Brake Cam. Lever.	2	4 ea.

Part Number.	Description.	No. per Set.	Price, £ s. d.
REAR AXLE—Continued.			
3050A	Plain Washers for Cam. Lever.	2	1 ea.
24500	Nuts for Cam. Lever, $\frac{1}{2}$ " B.S.F.	2	1 ea.
2750D	Rear Brake Shoe, R.H., with Lining and Rivets. (Offside or Nearside).	2	9 3 ea.
2800D	Rear Brake Shoe, L.H., with Lining and Rivets. (Offside or Nearside).	2	9 3 ea.
2650D	Brake Shoe Lining.	4	4 6 per pair.
2700D	Rivets for Lining.	32	3 per doz.
2800D	Brake Shoe Springs.	4	3 ea.
3100E	Rear Hubs.	2	1 0 0 ea.
3150E	Rear Wheel Studs.	8	8 ea.
3200E	Rear Hub Bearing Housing.	2	15 0 ea.
3250E	Felt Washer for Rear Hub.	2	5 ea.
3300E	Felt Washer Retainer.	2	2 ea.
3350E	Rear Hub Ball Race.	2	13 9 ea.
3400E	Lock Washer for Rear Hub.	2	3 ea.
3450E	Lock Nut for Rear Hub.	2	1 4 ea.
3500E	Rear Axle Shaft.	2	1 11 0 ea.
3550E	Key for Rear Hub.	2	2 ea.
3600E	Washer for Axle Shaft.	2	2 ea.
3650E	Castle Nut for Axle Shaft, $\frac{1}{2}$ ".	2	5 ea.
3350A	Split Pin for Axle Shaft.	2	1 ea.
3750E	Studs for Wheel Bearing Housing.	8	5 ea.
1600A	Split Washers for Housing Studs.	8	1 ea.
1650A	Nuts for Housing Bolts.	8	2 ea.
2650D	Brake Drum.	2	1 0 0 ea.
2300D	Countersunk Screws for Brake Drum, $\frac{1}{2}$ " x $\frac{3}{8}$ ".	4	2 ea.

24 When ordering quote Part Number, Description and Car Number.

Part Number.	Description.	No. per Set.	Price, f. s. d.
Steering.			
1F	Steering Column with Housing and Support Clip.	1	2 10 0
50F	Studs for Steering Box.	5	2 ea.
3900A	Steering Box Plug, 1/4" Gas.	1	8
150F	Operating Lever for Steering Box.	1	18 6
200F	Lock Washer for Fulcrum Pin.	2	1 ea.
250F	Fulcrum Pin for Steering Nut.	2	2 0 ea.
300F	Steering Nut.	1	12 6
350F	Steering Worm with Shaft.	1	1 4 6
400F	Ball Race for Steering Column.	1	6 9
450F	Lock Nut for Ball Race.	1	4
2000D	Split Pin for Lock Nut.	1	1
550F	Lock Ring for Column Race.	1	2 6
600F	Cover for Steering Box.	1	5 6
650F	Steering Stop Adjusting Screw, 1/2" B.S.F.	2	2 ea.
2450C	Lock Nut for Stop Screw, 1/2" B.S.F.	2	1 ea.
2300A	Spring Washers for Steering Box Cover.	5	1 ea.
2450D	Nuts for Steering Box Cover.	5	1 ea.
4930A	Key for Steering Wheel.	1	2
900F	Steering Wheel.	1	1 0 0
950F	Washer for Steering Wheel Nut.	1	3
1000F	Lock Nut for Steering Wheel.	1	9
1050F	Key for Steering Box Lever.	1	2
1100F	Steering Drop Arm.	1	6 6
3600D	Steering Arm Ball Pin.	1	2 9
3650D	Castle Nut for Ball Pin.	1	3
3700D	Split Pin for Ball Pin.	1	1
1300F	Steering Side Tube, with Ends.	1	12 6

25 When ordering quote Part Number, Description and Car Number.

Part Number.	Description.	No. per Set.	Price, f. s. d.
STEERING—Continued.			
4000D	Spring for Ball Socket.	2	1 ea.
4050D	Ball Socket (Plain).	2	6 ea.
4100D	Ball Socket (Screwed).	2	9 ea.
5350A	Split Pin for Ball Sockets.	2	1 ea.
4250D	Spring Cover for Side Steering Tube.	2	3 ea.
1600F	Spring Ring for Steering Box.	1	1
3600E	Washer for Steering Box Drop Arm.	1	1
3650E	Castle Nut for Drop Arm.	1	4
1750F	Split Pin for Drop Arm.	1	1
1800F	Support Bracket for Steering Column.	1	7 6
1850F	Countersunk Screw for Steering Column to Dash.	3	1 ea.
1900F	Plain Washers for Support Bracket.	9	1 ea.
2900A	Spring Washers for Support Bracket.	3	1 ea.
2450G	Nuts for Support Bracket.	3	1 ea.
2050F	Clip Bolt for Support Bracket.	1	3
1650A	Nut for Clip Bolt.	1	
Throttle and Ignition Controls.			
2150F	Throttle and Ignition Control Bracket on Steering Column, complete.	1	15 0
2200F	Studs for Control Brackets.	2	2 ea.
2900A	Spring Washers for Studs.	2	1 ea.
2450G	Nuts for Studs.	2	1 ea.

26 When ordering quote Part Number, Description and Car Number.

Part Number.	Description.	No. Per Set.	Price, £ s. d.
THROTTLE AND IGNITION CONTROLS—Continued.			
2350F	Throttle and Ignition Control Rods.	2	1 6 ea.
2400F	Throttles and Ignition Operating Levers.	2	1 6 ea.
2450F	Indicator Plate for Control Bracket.	1	1 0
2500F	Screw for Indicator Plate.	2	1 ea.
2450F	Throttle Operating Cam.	1	1 6
2900A	Spring Washer for Operating Cam.	1	1
2650F	Set Pin for Operating Cam.	1	2
2700F	Distributor Operating Lever.	1	1 6
2900A	Spring Washer for Operating Lever.	1	1
2650F	Set Pin for Distributor Operating Lever.	1	2
2850F	Control Rod Clip (Bottom).	1	2 6
2900F	Screws for Control Rod Clip.	2	2 ea.
2950F	Spring for Control Rods.	2	1 ea.
650B	Plain Washers for Control Rods.	1	1
2100A	Split Pin for Control Rods.	1	1
3100F	Nuts for Throttle and Ignition Rods.	2	2 ea.
3150F	Ball Joint for Distributor Operating Rod.	1	1 0
47000	Spring Washer for Ball Joint.	1	1
3250F	Nuts for Ball Joint.	1	1
3300F	Distributor Operating Rod.	1	6
3250F	Lock Nut for Operating Rod.	1	1
3400F	Plain Washer for Operating Rod.	1	1
3450F	Split Pin for Operating Rod.	1	1
3500F	Support Bracket only for Horn Push.	1	2 3
3550F	Screwed Adaptor for Clip Pin.	1	1
3600F	Plain Adaptor for Clip Pin.	1	1
3650F	Pin for Horn Push Clip.	1	1
3700F	Small Clip for Horn Push.	1	2

27 When ordering quote Part Number, Description and Car Number.

Part Number.	Description.	No. Per Set.	Price, £ s. d.
THROTTLE AND IGNITION CONTROLS—Continued.			
3750F	Screw for Small Clip.	1	1
3800F	Square Nut for Clip.	1	1
3850F	Horn Push Switch only.	1	1 6
Chassis.			
1G	Chassis Frame, complete with Cross Members and Buses.	1	7 10 0
50G	Silent Bloc Bush for Anchor Bracket.	2	3 0 ea.
100G	Silent Bloc Bush for Shackle Bracket.	2	3 6 ea.
150G	Front Spring with Buses.	2	1 5 0 ea.
100G	Silent Bloc Buses for Front Spring.	4	3 0 ea.
250G	Shackle for Front Spring.	2	9 ea.
300G	Front Spring Anchor Bolt, $\frac{1}{2}$ " B.S.F.	2	1 0 ea.
350G	Front Spring Shackle Bolt, $\frac{1}{2}$ " B.S.F.	4	7 ea.
400G	Special Spring Washers for Bolts (Slake-Proof).	6	1 ea.
450G	Nuts for Shackle Bolt.	6	2 ea.
500G	Front Spring Clip (Long)	2	1 6 ea.
550G	Front Spring Clip (Short).	2	1 6 ea.
600G	Packer for Front Spring.	2	47 ea.
1450A	Nuts for Spring Clips.	8	2 ea.
700G	Lock Nuts for Spring Clips.	8	2 ea.
750G	Rear Spring with Buses.	2	1 10 0 ea.
50G	Silent Bloc Bush for Rear Spring.	4	3 6 ea.
850G	Rear Spring Shackle.	2	1 0 ea.
900G	Rear Spring Anchor Bolt, $\frac{1}{2}$ " B.S.F.	2	9 ea.

Part Number.	Description.	No. per Set.	Price. £ s. d.
950G	OHASSIS—Continued. Rear Spring Shackles Bolt, ½" B.S.F.	4	7 ea.
1000G	Special Spring Washers for Shackles Bolt (Shake-Proof).	6	1 ea.
1050G	Nuts for Shackles Bolt.	6	2 ea.
1100G	Rear Spring Clip.	4	2 0 ea.
1150G	Rear Shock Absorber Bracket Bottom.	2	1 0 ea.
1200G	Spring Strap Plate.	2	4 ea.
1450A	Nuts for Spring Clips.	8	2 ea.
700G	Lock Nuts for Spring Clips.	8	2 ea. 1
1350G	Rubber Buffer for Front Axle.	2	8 ea.
1400G	Clip for Rubber Buffer.	2	4 ea.
1550G	Steering Box Bracket.	1	3 6
1600G	Bolt for Steering Box Bracket (Short.)	1	3
1650G	Bolt for Steering Box Bracket (Long).	1	5
4450A	Spring Washer for Short Bolt.	1	1
700G	Nuts for Bolts.	4	2 ea.
700G	Lock Nuts for Long Bolt.	1	2
1850G	Clip Bolt for Bracket.	1	3
1600A	Spring Washer for Clip Bolt.	1	1
1650A	Nut for Clip Bolt.	1	1
2000G	Distance Piece for Steering Box Bracket.	1	4
2050G	Foot Brake Pedal Bracket.	1	8
2100G	Pulcrum Pin for Bracket.	1	6
1650G	Lock Nut for Pulcrum Pin.	1	4
2200G	Brake Pedal Stop	1	8
1100B	Bolts for Bracket.	2	3 ea.
1600A	Spring Washers for Pedal Bracket Bolts.	2	1 ea.
1650A	Nuts for Pedal Bracket Bolts.	2	1 ea.
650F	Stop Screw for Brake Pedal Stop.	1	3

Part Number.	Description.	No. per Set.	Price. £ s. d.
2450B	OHASSIS—Continued. Lock Nut for Stop Screw.	1	1
*2500G	Engine Arm Support Bracket, Offside.	1	3 6
*2550G	Engine Arm Support Bracket (Nearside).	1	3 6
*50G	Silent Bloc Bushes for Engine Arms.	2	3 6 ea.
*2650G	Strengthening Piece for Brackets.	2	4 ea.
*750C	Bolts for Bracket (Long).	4	3 ea.
2750G	Blade for Engine Arm Bolt.	2	4 ea.
2800G	Rubber Support Blocks.	4	6 ea.
2850G	Housing for Rubber Blocks	2	1 0 ea.
2900G	"U" Bolt for Engine Arm Mounting.	2	1 3 ea.
* Used on Chassis A100 to 160 only.			
3000G	Bolts for Strengthening Piece.	2	2 ea.
1600A	Spring Washers for Bolts and "U" Bolts.	6	1 ea.
1650A	Nuts for Bolts and "U" Bolts.	6	1 ea.
3150G	Starting Handle Bracket.	1	4 6
3200G	Starting Handle Assembly.	1	12 6
3250G	Spring for Starting Handle.	1	6
3300G	Peg for Starting Handle.	1	2
3350G	Packing Plate for Starting Handle Bracket.	1	6
1100B	Bolts for Starting Handle Bracket.	3	2 ea.
1800A	Spring Washers for Starting Handle Bolts.	3	1 ea.
1850A	Nuts for Starting Handle Bolts.	3	1 ea.
3550G	Road Wheels complete less Tyre and Tube.	5	2 0 0 ea.
3600G	Wheel Rim.		10 6
3650G	Hub Shell.		9 6
3670G	Hub Cap (Plated).	5	1 0 ea.
3700G	Wheel Spokes (Long) 8 ½" x 9-gauge butted.	8	3 ea.
3750G	Wheel Spokes (Long) 8 ¼" x 9-gauge flattened.	8	3 ea.

Part Number.	Description.	No. per Set.	Price. £ s. d.	Part Number.	Description.	No. per Set.	Price. £ s. d.
3800G	Wheel Spokes (Short) 5½" x 8-gauge butted.	16	3 ea.	5100G	Rear Apron.	1	16 6
3850G	Wheel Spokes (Short) 5½" x 8-gauge butted.	16	3 ea.	3050A	Plain Washers for Rear Apron.	5	1 ea.
3900G	Nipples for Long Spokes, 9-gauge.	16	2 ea.	2900A	Spring Washers for Rear Apron.	5	1 ea.
3950G	Nipples for Short Spokes, 8-gauge.	32	2 ea.	5250G	Screws for Apron.	5	2 ea.
4000G	Nuts for Wheel Studs.	18	8 ea.	5300G	Front Apron.	1	15 0
4050G	Radiator Support Brackets.	2	1 0 ea.	5350G	Wing Nuts for Apron.	2	9 ea.
1600G	Bolts for Radiator Brackets (To Frame).	4	3 ea.	5400G	Studs for Front Engine Mounting.	2	3 ea.
4450A	Spring Washers for Radiator Bolts.	4	1 ea.	100B	Plain Washers for Studs.	2	1 ea.
1450A	Nuts for Radiator Bolts.	4	2 ea.	700G	Nuts for Studs.	4	2 ea.
4250G	Steady for Brake Shafts (Bottom).	1	1 0				
4300G	Steady for Brake Shafts (Top).	1	9				
4050A	Bolts for Steady.	3	2 ea.				
2800A	Spring Washers for Steady Bolts.	3	1 ea.				
2450G	Nuts for Steady Bolts, ½" B.S.F.	3	1 ea.				
4500G	Bolt for Steady to Cross Member.	1	2	1H	Shock Absorber R.H. Front, complete with Rubber Bushes.	1	1 0 3
1600A	Spring Washer for Cross Member Bolt.	1	1	50H	Frame Fulcrum Pin, 1" Shoulder, complete with Nuts and Washers.	2	1 0 ea.
1650A	Nut for Cross Member.	1	1	100H	Bracket for Front Axle, R.H.	1	1 3
4650G	Supports for Petrol Tank.	2	9 ea.	150H	Fulcrum Pin for 60, ½" Shoulder, complete with Nuts and Washers.	2	1 0 ea.
4700G	Bolts for Supports and Dumb Iron (Long).	2	3 ea.	200H	Shock Absorber, L.H. Front, complete with Rubber Bushes.	1	1 0 3
4750G	Distance Pieces for Support Bolts.	4	1 ea.	300H	Bracket for Front Axle, L.H.	1	1 3
4770G	Bolts for Supports and Dumb Iron (Short).	2	3 ea.	400H	Shock Absorber, R.H. Rear, complete with Rubber Bushes.	1	12 6
1600A	Spring Washers for Support Bolts.	4	1 ea.	450H	Fulcrum Pin for Frame Bracket, ½" Shoulder, complete with Nuts and Washers.	2	1 0 ea.
1650A	Nuts for Support Bolts.	4	1 ea.	500H	Shock Absorber, L.H. Rear, complete with Rubber Bushes.	1	12 6
4850G	Locking Plate for Rear Dumb Iron Bolt.	2	2 ea.				
4900G	Body Support Brackets (Front and Middle).	4	9 ea.				
1600G	Bolts for Body Brackets (To Frame).	4	3 ea.				
4450A	Spring Washers for Body Brackets.	4	1 ea.				
1450A	Nuts for Body Brackets.	4	2 ea.				

Shock Absorbers.

2 When ordering quote part number, description and car number.

Part Number.	Description.	No. per Set.	Price. f. s. d.
Controls (Brake).			
600H	Foot Brake Pedal.	1	0 0
650H	Rubber Pad for Brake Pedal.	1	0
8000E	Plain Washer for Pedal.	1	1
3550D	Split Pin for Pedal.	1	1
800H	Greaser for Foot Brake Pedal, 45°.	1	6
850H	Brake Pedal Shaft Bracket.	2	5 6 ea.
800H	Studs for Pedal Shaft Bracket, 3/4" B.S.F.	2	2 ea.
800E	Greaser for Bracket.	2	8 ea.
1000H	Brake Cross Shaft Front.	1	4 3
1050H	Foot Brake Double Lever.	1	3 0
1100H	Brake Cross Shaft, Rear.	1	4 3
1150H	Foot Brake Single Lever.	1	2 3
1200H	Front Brake Shaft Lever.	2	2 6 ea.
1250H	Rear Brake Shaft Lever.	2	2 6 ea.
3100D	Cotters for Single and Double Levers.	2	2 ea.
750D	Cotters for Front and Rear Brake Levers.	4	2 ea.
9050A	Plain Washers for Brake Cotters.	6	1 ea.
2450D	Nuts for Brake Cotters.	6	1 ea.
3000G	Bolts for Brake Shaft Brackets.	4	1 ea.
1600A	Spring Washers for Brake Shaft Bolts.	4	1 ea.
1650A	Nuts for Brake Shaft Bolts.	4	1 ea.
1650H	Foot Brake Pedal Rod, 1 3/8".	1	9
1700H	Lock Nuts for Brake Rod Jaws.	2	1 ea.
1750H	Jaw for Foot Brake Pedal.	1	8
1800H	Special Pin for Brake Pedal Jaw.	1	6
1850H	Plain Washer for Brake Pedal Jaw.	1	1
2100A	Split Pin for Brake Pedal Jaw.	1	1

3 When ordering quote part number, description and car number.

Part Number.	Description.	No. per Set.	Price. f. s. d.
CONTROLS (BRAKE)—Continued.			
1850H	Jaw for Foot Brake Double Lever.	1	1 0
2000H	Pin for Double Lever Jaw.	1	3
1850H	Plain Washer for Double Lever Jaw.	1	1
2100A	Split Pin for Double Lever Jaw.	1	1
2150H	Brake Connecting Link.	2	6 ea.
2000H	Pin for Brake Connecting Link.	1	4
2250H	Special Pin for Brake Link.	1	4
1850H	Plain Washers for Brake Link.	2	1 ea.
2100A	Split Pins for Brake Link.	2	1 ea.
2400H	Pedal Return Spring Button.	1	8
2900A	Spring Washers for Return Spring Button.	1	1
2450D	Nuts for Return Spring Button.	1	1
2550H	Bracket for Hand Brake Return Spring.	1	1 0
4250A	Bolt for Return Spring Bracket.	1	1
2900A	Spring Washer for Return Spring Bracket.	1	1
2450D	Nuts for Return Spring Bracket.	1	1
2750H	Fulcrum Pin for Intermediate Lever.	2	3 ea.
4450A	Spring Washers for Fulcrum Pin.	2	1 ea.
1450A	Nuts for Fulcrum Pin.	2	2 ea.
2900H	Foot Brake Intermediate Lever.	2	9 ea.
2950H	Plain Washer for Intermediate Lever.	2	1 ea.
3650D	Castle Nut for Intermediate Lever.	2	3 ea.
3700D	Split Pin for Intermediate Lever.	2	1 ea.
3100H	Foot Brake Intermediate Rods.	2	1 3 ea.
1700H	Lock Nut for Brake Rod Jaws.	1	1 ea.
1950H	Jaws for Intermediate Rods.	4	1 0 ea.
2000H	Pins for Jaws (Front).	2	4 ea.
3900H	Pins for Jaws on Intermediate Lever.	2	4 ea.

Part Number.	Description.	No. per Set.	Price, f. s. d.
CONTROLS (BRAKE)—Continued.			
3350H	Rear Brake Adjusting Rods.	2	1 3 ea.
3400H	Front Brake Adjusting Rods.	2	1 6 ea.
1700H	Lock Nuts for Brake Rod Jaws.	4	1 ea.
1950H	Jaws for Brake Adjusting Rods.	4	1 0 ea.
2000H	Plugs for Front Adjusting Rods.	2	4 ea.
1850H	Plain Washers for Adjusting Rods.	2	1 ea.
2100A	Split Pins for Adjusting Rods.	2	1 ea.
1700H	Nuts for Adjusting Springs.	4	2 ea.
3750H	Brake Adjusting Springs.	4	2 ea.
3800H	Brake Adjusting Plugs.	4	1 ea.
3850H	Brake Adjusting Nuts (Front).	2	1 0 ea.
3800H	Brake Adjusting Nuts (Rear).	2	1 3 ea.
3850H	Hand Brake Return Spring.	1	2
4000H	Foot Brake Return Spring.	2	4 ea.
4050H	Hand Brake Lever Bracket.	1	3 6
500E	Greaser for Hand Brake Bracket.	1	6
4150H	Brake Rack.	1	1 9
1100B	Bolts for Hand Brake Bracket.	2	3 ea.
1600A	Spring Washers for Hand Brake Bracket.	2	1 ea.
1650A	Nuts for Hand Brake Bracket.	2	1 ea.
4350H	Hand Brake Lever, complete.	1	9 8
4400H	Hand Brake Lever only.	1	7 6
4450H	Hand Brake Ratchet Rod.	1	6
4500H	Spring for Hand Brake Lever.	1	1
3250F	Lock Nut for Ratchet Rod, 3/8" Whit.	1	1
4600H	Ratchet Stop Knob.	1	8
4650H	Pawl for Brake Ratchet.	1	9
4700H	Pin for Brake Ratchet Pawl.	1	1

Part Number.	Description.	No. per Set.	Price, f. s. d.
CONTROLS (BRAKE)—Continued.			
3050A	Plain Washer for Ratchet Pawl.	1	1
550C	Split Pin for Ratchet Pawl.	1	1
4850H	Hand Brake Shaft.	1	2 0
4900H	Hand Brake Toggle Lever.	1	3 0
3100D	Cotter for Toggle Lever.	2	6 ea.
3050A	Plain Washer for Toggle Lever.	2	1 ea.
24500	Nuts for Toggle Lever.	2	1 ea.
5100H	Distance Piece for Hand Brake Shaft.	1	3
Propeller Shaft.			
50J	Propeller Shaft, complete with Ends.	1	2 12 6
100J	Propeller Shaft Spider Front.	1	10 0
35000	Greaser for Propeller Shaft.	1	6
130J	Fibre Washer for Greaser.	1	1
150J	Felt Washer for Spider (Splined Hole).	1	8
200J	Cover for Felt Washer.	1	3
250J	Universal Flexible Disc Support.	2	1 0 ea.
300J	Felt Washer for Universal Joint Spider (Plain).	2	3 ea.
350J	Propeller Shaft Joint Pins.	6	6 ea.
1600A	Spring Washers for Joint Pins.	6	1 ea.
1650A	Nuts for Joint Pins.	6	1 ea.
500J	Felt Washer for Flexible Disc Support.	2	3 ea.

Part Number.	Description.	No. per Set.	Price, £ s. d.	Part Number.	Description.	No. per Set.	Price, £ s. d.
PROPELLER SHAFT—Continued.							
550J	Flexible Disc for Universal Joint.	2	11 6 ea.	*850J	Locking for Spring (Rear).	1	5
33500	Bolt for Universal Joint.	3	4 ea.	*855J	Locking for Spring (Front).	1	5
650B	Washer for Universal Joint Pin.	12	1 ea.	860J	Dust Cap.	1	1 0
700J	Castle Nut for Joint Pin.	12	2 ea.	865J	Steel Washer for Dust Cap.	1	3
2100A	Split Pin for Joint Pin.	12	1 ea.	870J	Felt Washer for Dust Cap.	1	3
720J	Propeller Shaft, complete.	1	5 10 0	875J	Bolt for Flange, $\frac{1}{2}$ B.S.F. $\times 1\frac{1}{2}$.	12	5 ea.
730J	Tubular Assembly.	1	2 0 6	880J	Nut for Flange Bolt, $\frac{1}{2}$ B.S.F.	12	3 ea.
740J	Flanged Yoke.	2	7 6 ea.	885J	Spring Washer for Flange Bolt.	12	1 ea.
750J	Steave Yoke (Splined).	1	17 0	890J	Gasket for Flange.	2	3 ea.
760J	Journal with Bushes and Retainers.	2	7 6 ea.	35000	Greaser for Propeller Shaft.	1	6
770J	Inner Casing, complete	2	2 6 ea.	130J	Fiber Washer for Greaser.	1	1
780J	Outer Casing, complete (Rear).	1	1 8	<i>* These Parts are used only on Cars fitted with Hardy Spicer Propeller Shafts up to No. 4400.</i>			
790J	Outer Casing, complete (Front).	1	1 8	Accelerator Pedal Control.			
800J	Casing Screw.	4	2 ea.	900J	Accelerator Control Shaft.	1	1 8
810J	Packing for Outer Casing.	2	5 ea.	950J	Accelerator Pedal Clip.	2	1 0 ea.
*820J	Spring for Casing (Rear).	1	3	1000J	Carburettor Control Lever.	1	9
*825J	Spring for Casing (Front).	1	3	33000	Bolt for Carburettor Lever.	1	2
830J	Spring for Casing (Rear).	1	3	3050A	Plain Washer for Carburettor Lever.	1	1
835J	Spring for Casing (Front).	1	3	24500	Nut for Carburettor Lever.	1	1
*840J	Retainer for Spring (Rear).	1	3	1200J	Return Spring Lever on Control Shaft.	2	1 0 ea.
*845J	Retainer for Spring (Front).	1	3	59000	Bolts for Return Spring Lever.	2	2 ea.
				3050A	Plain Washers for Return Spring Lever.	2	1 ea.
				24500	Nuts for Return Spring Lever.	2	1 ea.

Part Number.	Description.	No. per Set.	Price, £ s. d.
ACCELERATOR PEDAL CONTROL—Continued.			
1400J	Accelerator Pedal (without Roller.)	1	1 0
	(with Roller.)		1 6
700G	Nuts for Accelerator Pedal.	2	2 ea.
1800J	Accelerator Pedal Roller.	1	6
1550J	Double Coil Spring Washer for Accelerator Pedal.	1	1
2100A	Split Pin for Accelerator Pedal.	1	1
1650J	Throttle Operating Cam. Lever.	1	6
700G	Nuts for Throttle Lever.	2	2 ea.
2650F	Bolt for Return Springs.	2	2 ea.
2900A	Spring Washers for Return Spring Bolt.	2	1 ea.
24500	Nuts for Return Spring Bolt.	4	1 ea.
1900J	Return Springs for Throttle Lever.	2	2 ea.
1950J	Carburettor Operating Rod.	1	6
3250F	Lock Nuts for Carburettor Operating Rod.	2	1 ea.
3150F	Ball Joints for Carburettor Operating Rod.	2	1 0 ea.
4700G	Spring Washer for Ball Joint.	2	1 ea.
3250F	Nuts for Ball Joint.	2	1 ea.

Radiator and Fittings.

2200J	Radiator.	1	11 11 0
2250J	Radiator Filler Cap.	1	3 0
2270J	Drain Plug for Radiator.	1	4
2300J	Pads for Radiator Support Bracket.	2	4 ea.
2350J	Bolts for Radiator Support Bracket.	2	3 ea.
700G	Lock Nuts for Radiator Support Bracket.	4	1 ea.

Part Number.	Description.	No. per Set.	Price, £ s. d.
RADIATOR AND FITTINGS—Continued.			
2450J	Waterpipe Rubber Hose (Top).	1	2 3
2500J	Waterpipe Rubber Hose (Bottom).	1	6
2550J	Clips for Hose, complete.	4	1 0 ea.
2570J	Canvas Strip for Radiator.	2	1 0 ea.
2600J	Radiator Stay Dashboard Bracket.	1	6 ea.
2650J	Coach Bolts for Radiator Stay Bracket.	2	2 ea.
2900A	Spring Washers for Radiator Stay Bracket.	2	1 ea.
2750J	Nuts for Radiator Stay Bracket, 1/4" Whit.	2	1 ea.
2800J	Radiator Steady Rod.	1	8
700G	Nuts for Radiator Steady Rod.	4	1 ea.
Silencer and Pipes,			
2900J	Silencer.	1	15 0
2950J	Exhaust Pipe Clip (Front).	1	1 3
3000J	Exhaust Pipe Clip (Rear).	1	1 3
3050J	Clip Bolts for Exhaust Pipe Clips.	2	2 ea.
3700A	Support Bolts for Exhaust Pipe Clips.	2	3 ea.
2900A	Spring Washers for Exhaust Pipe Clip.	4	1 ea.
24500	Nuts for Exhaust Pipe Clip.	4	1 ea.
3250J	Front Exhaust Pipe, with Flange.	1	3 0
3300J	Joint Washer for Exhaust Pipe Flange.	1	4
3350J	Bolts for Exhaust Pipe Flange.	2	2 ea.
1600A	Spring Washers for Exhaust Pipe Flange.	2	1 ea.
3450J	Nuts for Exhaust Pipe Flange.	2	1 ea.

Part Number.	Description.	No. per Set.	Price. \$ s. d.
SILENCER AND PIPES—Continued.			
3500J	Exhaust Tail Pipe.	1	4 6
3550J	Tail Pipe Clip.	1	1 6
3650J	Bolt for Tail Pipe Clips.	1	2
4050A	Bolt for Tail Pipe Clip (To Frame).	1	2
2000A	Spring Washer for Tail Pipe Bolts.	2	1 ea.
24600	Nuts for Tail Pipe Bolts.	2	1 ea.

Petrol Tank and Fittings.

3800J	Petrol Tank, complete less Gauge.	1	3 0 0
3850J	Petrol Gauge.	1	10 6
3900J	Union for Petrol Pipe.	1	1 0
3950J	Lock Nut for Petrol Pipe Union.	1	3
4000J	Petrol Tank Filler Cap.	2	2 6 ea.
4050J	Spring Washers for Tank Trunion.	2	1 ea.
4100J	Set Pins for Trunion.	2	4 ea.
1600Q	Bolt for Petrol Tank Front Support.	1	3
4200J	Packing Plate for Front Support.	1	2
4450A	Spring Washer for Tank Support.	1	1
1450A	Nut for Tank Support.	1	1

Part Number.	Description.	No. per Set.	Price. \$ s. d.
Luggage Grid.			
50K	Luggage Grid Support (Nearside).	1	4 6
100K	Luggage Grid Support (Offside.)	1	4 6
150K	Luggage Grid Frame.	1	2 5 0
200K	Wing Nut for Hinge Bracket.	2	1 0 ea.
250K	Hinge Bolts for Luggage Grid.	2	3 ea.
450G	Lock Nut for Hinge Bolt.	2	2 ea.
1100B	Bolt for Luggage Grid Support.	2	2 ea.
4750G	Distance Piece for Support Bolt.	2	3 ea.
1600A	Spring Washer for Luggage Grid Support.	2	1 ea.
1650A	Nut for Bolt for Luggage Grid Support.	1	1 ea.
Rear Number Plate and Fittings.			
500K	Rear Number Plate.	1	4 6
550K	Set Pin for Number Plate to Luggage Grid.	2	2 ea.
1600A	Spring Washers for Number Plate Pins.	2	1 ea.
460K	Clip for Rear Lamp Cable.	1	2
700K	Screw for Cable Clip.	1	1
4700G	Spring Washers for Cable Clip Screw.	1	1
3250F	Nut for Cable Clip Screw.	1	1

Part Number.	Description.	No. per Set.	Price, f. s. d.
850K	Head Lamp Supports, Wings, Valances and Running Boards, Etc.		
	Front Wing Stay (Offside).	1	3 6
*870K	Front Wing Stay (Offside) with Brackets.	1	3 6
900K	Front Wing Stay (Nearside).	1	3 6
*920K	Front Wing Stay (Nearside) with Brackets.	1	3 0
930K	Distance Piece for Wing Stay.	2	9 ea.
1000K	Bolts for Wing Stays.	2	7 ea.
4050J	Spring Washers for Wing Stays.	2	1 ea.
1050G	Nuts for Wing Stays.	2	2 ea.
150K	Front Wing, Offside (With Bridge).	1	2 0 0
1200K	Front Wing, Nearside (With Bridge).	1	2 0 0
1250K	Head Lamp Support Tube.	1	8 6
1300K	Lug for Support Tube (Offside).	1	1 9
1320K	Lug for Support Tube (Offside).	1	2 0
1350K	Lug for Support Tube (Nearside).	1	1 9
1370K	Lug for Support Tube (Nearside).	1	2 0
1600A	Spring Washers for Lugs.	2	1 ea.
7500	Set Pins for Lugs.	2	3 ea.
1500K	Rubber Ring for Support Tube Lug.	2	6 ea.
1520K	Rubber Washer for Support Tube Lug.	2	6 ea.
1540K	Coach Bolts and Nuts for Lugs.	4	3 ea.
3050A	Plain Washer for Coach Bolts.	2	1 ea.
2900A	Spring Washer for Coach Bolts.	2	.1 ea.
1550K	Wing Stay Tube with Blade, R.H.	2	2 6 ea.
1600K	Wing Stay Tube with Blade, L.H.	2	2 6 ea.
1650K	Coach Bolt and Nut for Wing Stay Tube.	4	3 ea.

Part Number.	Description.	No. per Set.	Price, f. s. d.
HEAD LAMP SUPPORTS, WINGS, VALANCES AND RUNNING BOARDS, Etc.—Continued.			
1600A	Spring Washer for Wing Stay Tube	4	1 ea.
1750K	Front Valance (Offside).	1	6 0
1800K	Front Valance (Nearside).	1	6 0
4050A	Bolts for Valances to Frame.	4	2 ea.
3050A	Plain Washers for Valance.	4	1 ea.
2800A	Spring Washers for Valance.	4	1 ea.
24500	Nuts for Valance.	4	1 ea.
2050K	Wood Screw for Valance to Dash.	2	1 ea.
2100K	Countersunk Screw for Front Wing to Frame.	2	1 ea.
2800A	Spring Washers for Countersunk Screw.	2	1 ea.
24500	Nuts for Countersunk Screw.	2	1 ea.
2250K	Running Board (Offside).	1	5 3
2300K	Coach Bolts and Nuts for Board	4	3 ea.
1600A	Spring Washers for Running Board.	4	1 ea.
2400K	Clamps for Running Board.	3	8 ea.
2450K	Wood Screws for Running Board.	9	1 ea.
2500K	Rubber Covering for Offside Board.	1	3 3
2550K	Aluminum Beading for Offside Board.		2 3
2800K	Screws for Aluminum Beading.	14	1 ea.
2850K	Rear Valance (Offside).	1	5 0
2700K	Supports for Rear Valance.	3	9 ea.
4050A	Bolts for Supports to Clamps.	3	2 ea.
3050A	Plain Washers for Valance Supports.	3	1 ea.
2800A	Spring Washers for Valance Supports.	3	1 ea.
24500	Nuts for Valance Supports.	3	1 ea.
2950K	Screw for Rear to Front Valance.	1	1
47000	Spring Washer for Rear Valance.	1	1
3250F	Nut for Rear Valance.	1	1

* NOTE.—The above Parts are used on Cars A200 and upwards.

When ordering quote Part Number, Description and Car Number.

Part Number.	Description.	No. per Set.	Price, £ s. d.
3100K	HEAD LAMP SUPPORTS, WINGS, VALANGES AND RUNNING BOARDS, Etc.—Continued.		
	Running Board (Nearside).	1	5 3
2300K	Coach Bolts and Nuts for Running Board.	4	3 ea.
1600A	Spring Washers for Running Board.	4	1 ea.
2400K	Clamps for Running Boards.	3	8 ea.
2450K	Wood Screws for Clamps.	9	1 ea.
3350K	Rubber Covering for Nearside Board.	1	3 3
3400K	Aluminium Beading for Nearside Board.	1	2 3
2600K	Wood Screws for Aluminium Beading.	14	1 ea.
3500K	Rear Valance (Nearside).	1	5 0
2700K	Supports for Rear Valance.	3	9 ea.
4050A	Bolts for Supports to Clamps.	3	2 ea.
3050A	Plain Washer for Valance Support.	3	1 ea.
2900A	Spring Washer for Valance.	3	1 ea.
2450C	Nuts for Valance.	3	2 ea.
2950K	Screw for Rear to Front Valance.	1	1
4700C	Spring Washer for Rear Valance.	1	1
3250F	Nut for Rear Valance.	1	1
3950K	Extension Plate for Running Boards.	2	2 9 ea.
4500G	Bolts for Plate to Front Wing.	4	3 ea.
1600A	Spring Washers for Extension Plate Bolts.	4	1 ea.
1650A	Nuts for Extension Plate Bolts.	4	1 ea.
4150K	Rear Wing (Offside).	1	1 10 0
4200K	Rear Wing (Nearside).	1	1 10 0
3050A	Plain Washers for Wing Screws.	14	1 ea.
4900K	Wood Screws for Wings (Long).	6	1 ea.
4350K	Wood Screws for Wings (Short).	8	1 ea.
4400K	Transfer for Rear Wing (Offside).	1	6

When ordering quote Part Number, Description and Car Number.

Part Number.	Description.	No. per Set.	Price, £ s. d.
Dashboard and Fittings.			
50L	Dashboard Support Bracket (Offside).	1	2 6
100L	Dashboard Support Bracket (Nearside).	1	2 6
150L	Top Pedal Board.	1	2 0
200L	Centre Pedal Board.	1	1 9
250L	Bottom Pedal Board.	1	2 3
300L	Eye Bolts for Dashboard to Body.	3	9 ea.
2650J	Coach Bolts for Eye Bolts to Dash.	3	2 ea.
2750J	Nuts for Dash Coach Bolts.	3	1 ea.
450L	Coach Bolts for Dashboard to Body.	5	4 ea.
500L	Countersunk Coach Bolts for Dash to Body.	2	4 ea.
550L	Plain Washers for Coach Bolts (Square Hole).	3	2 ea.
600L	Plain Washers for Coach Bolts (Round Hole).	8	1 ea.
650L	Plain Nuts for Coach Bolts.	2	1 ea.
700L	Domed Nuts for Coach and Eye Bolts.	6	2 ea.
750L	Leather Packing Strip between Dash and Body.	1	3 3
800L	Tacks for Leather Packing Strip.	As Reqd.	2 doz.
900L	Bonnet Strip for Dashboard.	1	1 0
950L	Esautcheon Pins for Bonnet Strip.	As Reqd.	3 doz.
1000L	Greasers for Accelerator Pedal Shaft.	2	6 ea.
1050L	Screws for Pedal Board.	8	2 ea.
4500G	Bolts for Dash Supports to Frame.	4	2 ea.
1600A	Spring Washers for Dash Supports.	4	1 ea.
1650A	Nuts for Dash Supports.	4	1 ea.
1250L	Gutter for Dashboard.	1	1 0
1300L	Tacks for Gutter.	19	2 doz.
1350L	Support for Instrument Panel (R.H.).	1	3 0
1400L	Support for Instrument Panel (L.H.).	1	3 0

46 When ordering quote Part Number, Description and Car Number.

Part Number.	Description.	No. Per Set.	Price. f. s. d.
DASHBOARD AND FITTINGS—Continued.			
2650J	Coach Bolts and Nuts for Supports.	4	1 ea.
2900A	Spring Washers for Supports.	4	1 ea.
1650L	Screws for Instrument Panel.	4	2 ea.
1600L	Instrument Panel only.	1	2 15 0
1650L	Strangler Control complete, less Cable.	1	2 0
1700L	Screw for Strangler Control.	1	2
1750L	Nipples for Strangler Control Wire.	2	1 ea.
1800L	Wire for Strangler Control, with Nipples.	1	4
1850L	Adaptor for Strangler (On Carb.)	1	2
3400F	Plain Washer for Adaptor, $\frac{1}{8}$ " I/Dia.	1	1
5500	Split Pin for Adaptor.	1	1
2000L	Washers for Strangler (Special).	2	.4 ea.
2050L	Special Nut for Strangler.	1	1 0
2050K	Screws for Starter Switch.	3	1 ea.
2150L	Washer for Starter Switch Tube.	1	2
2200L	Wood Screws for Switch Tube.	2	1 ea.
2050K	Wood Screws for Ignition Coil.	2	1 ea.
2300L	Wood Screws for Junction Box.	4	1 ea.
2350L	Cover for Dipper Switch Cable.	1	1 0
2400L	Screws for Cable Cover.	4	1 ea.
2450L	Cable Clips (Large with Small Hole).	4	3 ea.
2500L	Cable Clips (Medium with Small Hole).	2	3 ea.
2550L	Cable Clips (Small with Small Hole).	1	3
2600L	Wood Screws for Cable Clips.	7	1 ea.
2650L	Cable Clip (Medium with $\frac{1}{4}$ " Dia. Hole).	1	3
2700L	Cable Clips (Large with $\frac{1}{4}$ " Dia. Hole).	1	3
2750L	Bolts for Cable Clips.	2	2 ea.
24500	Lock Nuts for Cable Clips.	4	1 ea.

47 When ordering quote Part Number, Description and Car Number.

Part Number.	Description.	No. Per Set.	Price. f. s. d.
DASHBOARD AND FITTINGS—Continued.			
2850L	Clip for Battery Cable.	1	3
700K	Clip Screw for Battery Cable.	1	1 ea.
47000	Spring Washer for Cable Clip Screw.	1	1
3250F	Nut for Cable Clip Screw.	1	1
2450L	Cable Clips for Wing Irons and Chassis.	9	3 ea.
3100L	Screws for Chassis Cable Clips.	2	1 ea.
3150L	Nuts for Chassis Cable Clips.	2	1 ea.
700K	Screws for Wing Iron Clip Top, $\frac{1}{8}$ " Whit.	1	1
3250L	Spring Clip (Large) Cable to Chassis.	1	3
3300L	Spring Clip (Small) Cable to Chassis	1	3
3450L	Transfer for Petrol Tap Control.	1	1 0
3500L	Strangler Wire Control Tube.	1	1 0
3550L	Clip for Tube on Dash.	2	2 ea.
2600L	Screw for Strangler Wire Tube Clip.	2	1 ea.
3850L	Leather Cover for Instrument Panel Support.	1	4 6

Part Number.	Description.	No. per Set.	Price, £ s. d.
Petrol and Feed Pipes.			
50M	Clips for Petrol Feed Unit.	2	1 0 ea.
2050M	Coath Bolts and Nuts for Petrol Feed Unit.	4	4 0 ea.
2050A	Spring Washers for Petrol Feed Unit.	4	1 0 ea.
200M	Main Adaptor for Petrol Feed Clips.	2	4 0 ea.
250M	Screwed Adaptor for Petrol Feed Clips.	2	4 0 ea.
300M	Screws for Clip Adaptors.	2	4 0 ea.
350M	Petrol Feed Unit (complete with Nipples and Nuts).	1	2 10 0
400M	Petrol Tap, complete.	1	2 0
450M	Control Rod for Petrol Tap.	1	2
3450F	Split Pin for Petrol Tap.	1	1
550M	Washer for Control Rod.	1	4
2200L	Wood Screws for Washer.	2	1 ea.
650M	Knob for Control Rod.	1	1 0
700M	Pipe from Petrol Feed Unit to Induction Pipe.	1	3 6
*3900J	Union for Induction Pipe.	1	1 0
*900M	Fibre Washer for Induction Pipe Union.	1	2
850M	Union for Induction Pipe.	1	1 0
900M	Fibre Washer for Induction Pipe Union.	1	2
950M	Solderless Nipple for Petrol Pipe.	1	2
1000M	Nut for Union.	1	8
1050M	Pipe from Petrol Feed Unit to Carburettor.	1	5 6
1100M	Pipe from Petrol Feed Unit to Petrol Tank Front.	1	3 0
1150M	Pipe from Petrol Feed Unit to Petrol Tank Rear.	1	8 0
7900J	Union for Pipes.	1	1 0
950M	Solderless Nipples for Pipes.	3	2 ea.
1000M	Nuts for Pipes.	3	8 ea.

* Used on Cars A101 to A150 only.

Part Number.	Description.	No. per Set.	Price, £ s. d.
PETROL AND FEED PIPES—Continued.			
1350M	Rubber Bushes for Pipes.	4	4 ea.
1400M	Clips for Pipes to Engine.	1	3 0 ea.
7000K	Washers for Petrol Pipes (lips).	1	8 0 ea.
4700O	Spring Washers for Petrol Pipes (lips).	4	1 0 ea.
3250P	Nuts for Petrol Pipes (lips).	4	1 0 ea.
1600M	Clips for Petrol Pipes to Dash.	2	2 ea.
2600L	Wood Screws for Clips.	4	1 ea.
Oil Pipes, Etc.			
2700M	Oil Gauge Pipe.	1	3 0
2750M	Union for Oil Gauge Pipe.	1	8
2800M	Oil Pipe from Union to Oil Tap.	1	4 0
2850M	Nipple for Union End of Oil Pipe.	1	2
2900M	Nut for Oil Pipe Union.	1	3
2950M	Clip for Oil Pipe to Engine.	1	2
Tools, Accessories.			
3000M	Tool Bag.	1	6 0
3050M	Duster.	1	4
3100M	Hammer.	1	1 0
3150M	Screw Driver.	1	1 0
3200M	Pliers.	1	2 0
3250M	Tyre Levers.	2	1 3 pair

Part Number.	Description.	No. per Set.	Price, £ s. d.
TOOLS, ACCESSORIES—Continued.			
3300M	File.	1	8
3350M	File Handle.	1	2
3400M	Moveable Spanner.	1	6 0
3450M	Tapped Adjusting Spanners.	2	8 pair
3500M	Double Ended Spanner, 1" and 1 1/4".	1	1 0
3550M	Box Spanner (Single) 1 1/2".	1	1 0
3600M	Box Spanner (Double) 1" and 1 1/4".	1	9
3650M	Box Spanner (Double) 1 1/4" and 1 1/2".	1	6
3700M	Special Box Spanner.	1	9
3750M	Tommy Bar (Large).	1	4
3800M	Tommy Bar (Small).	1	2
3850M	Tyre Inflator.	1	5 6
3900M	Lifter Jack and Handle.	1	10 6
3950M	Grease Gun. (Tealemit).	1	1 1 0
4000M	Wheel Brace.	1	3 0
Bonnet.			
4250M	Bonnet, complete.	1	2 17 8
4300M	Bonnet Fasteners, complete.	4	3 9 ea.
4350M	Domed Headed Bolts for Bonnet.	4	3 ea.
2900A	Spring Washers for Domed Headed Bolts.	4	1 ea.
4450M	Nuts for Domed Headed Bolts. No. O. B.A.	4	2 ea.
4500M	Bonnet Rest.	2	6 ea.
700K	Screws for Bonnet Rest, 1/2" Whit.	4	1 ea.
4700B	Spring Washers for Bonnet Rest Screws.	4	1 ea.
9250F	Nuts for Bonnet Rest Screws.	4	1 ea.

Part Number.	Description.	No. per Set.	Price, £ s. d.
Body Fittings (4-door Saloon)			
50P	Woodscrews for Mirror.	2	1 ea.
100P	Body Security Coach Bolts (Short).	4	3 ea.
150P	Body Security Coach Bolts (Long).	2	4 ea.
200P	Felt Pad for Body Support Bracket.	6	2 ea.
220P	Licence Holder.	1	2 0
250P	Door Hinge, Front Top (Near Side).	1	2 3
300P	Door Hinge, Front Top (Offside).	1	2 3
350P	Door Hinge, Front Bottom (Nearside).	1	2 6
400P	Door Hinge, Front Bottom (Offside).	1	2 6
250P	Door Hinge, Rear Top (Nearside).	1	2 3
300P	Door Hinge, Rear Top (Offside).	1	2 3
550P	Door Hinge, Rear Bottom (Nearside).	1	2 6
560P	Door Hinge, Rear Bottom (Offside).	1	2 6
600P	Door Lock (Nearside).	2	11 0 ea.
650P	Door Lock (Offside).	2	11 0 ea.
700P	Screws for Door Lock.	16	1 ea.
750P	Striking Plate for Door Lock (Offside).	2	9 ea.
800P	Striking Plate for Door Lock (Nearside).	2	9 ea.
830P	Screws for Striking Plate (Long).	4	1 ea.
850P	Screws for Striking Plate (Short).	4	1 ea.
900P	Door Lock Pull (complete).	2	1 0 ea.
950P	Door Handle (Plain).	3	5 3 ea.
1000P	Door Handle with Lock.	1	13 0
1050P	Screws for Door Handle.	8	1 ea.
1100P	Rubber Buffer for Door.	4	2 ea.
1150P	Screws for Rubber Buffer.	4	1 ea.
1200P	Door Check Strap, complete.	4	1 6 ea.

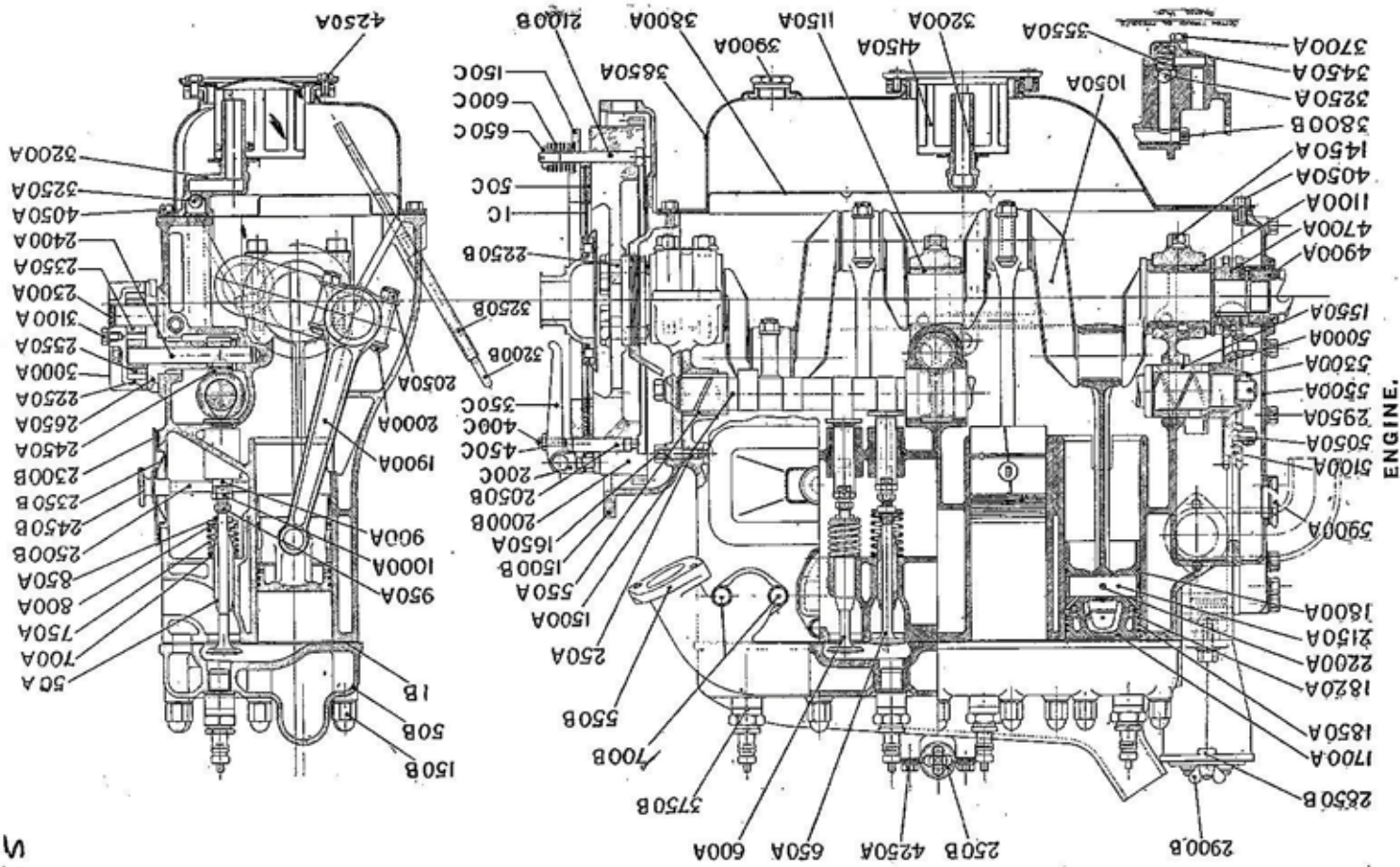
S2 When ordering quote Part Number, Description and Car Number.

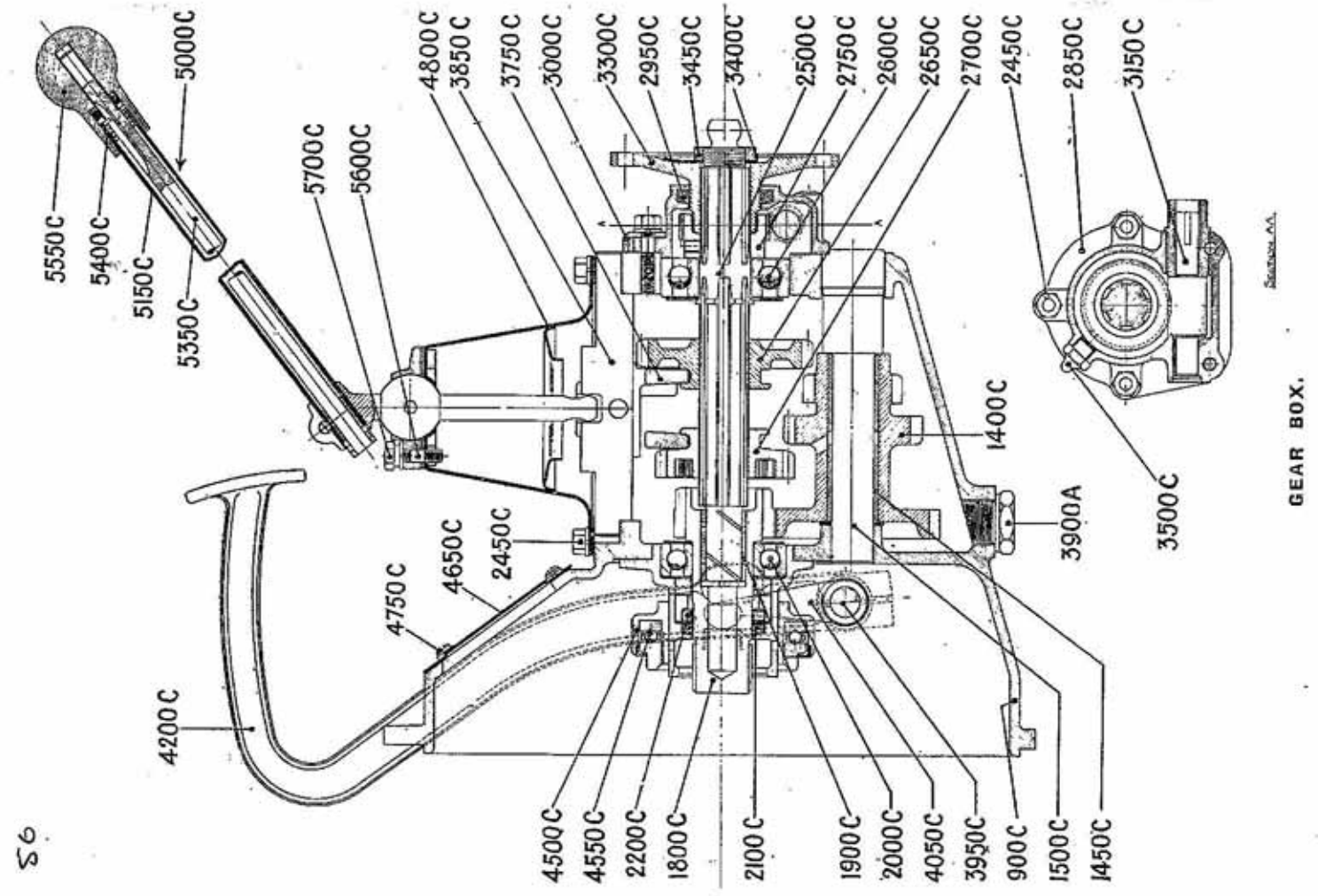
Part Number.	Description.	No. per Set.	Price, £ s. d.
BODY FITTINGS (4-DOOR SALOON)—Continued.			
1250P	Door Check Strap only.	4	1 0 ea.
1300P	Screws for Check Strap.	8	1 ea.
1350P	Door Pull Handle.	4	1 0 ea.
1400P	Screws for Door Pull Handle.	16	1 ea.
1450P	Tool Box Latch complete.	1	3 6
1500P	Screws for Latch.	4	1 ea.
1550P	Striking Plate for Tool Box Latch.	1	2
1600P	Screws for Striking Plate.	4	1 ea.
1600P	Hinge for Tool Box Lid.	2	2 ea.
1650P	Screws for Tool Box Hinge (Short).	4	1 ea.
1700P	Screws for Tool Box Hinge (Long).	4	1 ea.
1750P	Windscreen Glass Panel "Spinitex."	1	3 5 0
1800P	Windscreen Glass Panel "Triplax."	1	3 10 0
1850P	Rubber for Windscreen (Length).	1	1 3
1900P	Angle Plate for Windscreen.	1	5 6
1950P	Screws for Windscreen Angle Plate (Countersunk).	12	1 ea.
2000P	Screws for Windscreen Angle Plate (Raised).	2	1 ea.
2050P	Screws for fixing Windscreen Frame.	6	1 ea.
2100P	Fastener Bracket for Windscreen.	2	3 6 ea.
2150P	Screws for Fastener Bracket.	6	1 ea.
2200P	Wing Nut for Telescopic Quadrant.	2	2 6 ea.
2250P	Finger Lift for Windows.	4	3 ea.
2300P	Glass Panel for Front Doors.	2	11 6 ea.
2350P	Glass Panel for Rear Doors.	2	10 9 ea.
2400P	Glass Panel for Back Light.	1	6 0
2450P	Sliding Seat Fittings.	2	13 6 set.
2500P	Plate only for Sliding Seat	2	1 0 ea.
2700P	Valance Plate for Rear Seat Cushions (Covered).	1	1 6

S3 When ordering quote Part Number, Description and Car Number.

Part Number.	Description.	No. per Set.	Price, £ s. d.
BODY FITTINGS (4-DOOR SALOON)—Continued.			
2750P	Screws for Valance Plate.	5	1 ea.
2800P	Cup Washers for Valance Screws.	5	1 ea.
2850P	Turnbuttons for Inspection Trap.	4	1 ea.
2900P	Screws for Turnbuttons.	4	1 ea.
2950P	Flush Ring for Inspection Trap.	1	1 3
1050P	Screws for Flush Ring.	3	1 ea.
3050P	Rear Blind complete with all Fittings.	1	5 8
3100P	Screw Pulleys for Rear Blind.	1	1 3
3150P	Side Pulleys for Rear Blind, with Screws.	2	1 3 ea.
3200P	Screw Eyes for Blind Cord.	3	1 ea.
3250P	Knob for Blind Cord.	1	8
3300P	Hook for Blind Cord.	1	7
3350P	Length of Cord for Blind.	1	7
3400P	Screws for fixing Blind.	4	1 ea.
3450P	Rope Pulls complete, with Fittings.	2	2 6 ea.
3500P	Screws for Rope Pulls.	4	1 ea.
3550P	Ash Tray.	3	3 8 ea.
3600P	Screws for Ash Tray.	12	1 ea.
3650P	Roof Ventilator, complete.	1	17 6
3700P	Screws for Roof Ventilator.	10.	1 ea.
3750P	Hinge for Locker Door in Scuttle.	2	2 ea.
3800P	Pins and Nuts for Hinges.	4	2 ea.
3800P	Screws for Hinges.	4	1 ea.
3800P	Catch for Locker Door.	1	- 1 0
3950P	Screws for Locker Door Catch (Sheet).	2	1 ea.
3900P	Screws for Locker Door Catch (Long).	2	1 ea.
4050P	Knob with Bush for Locker Door.	1	3
4100P	Spare Wheel Block.	1	3 6

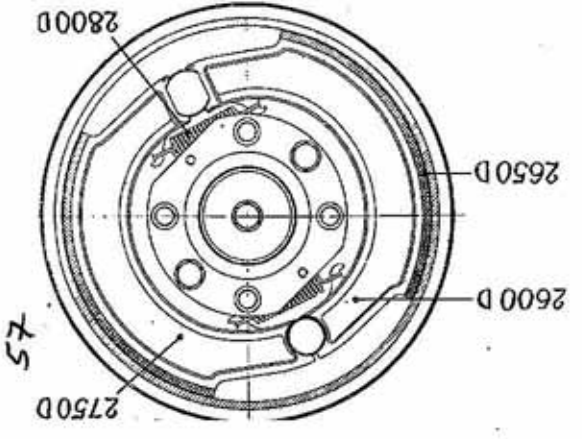
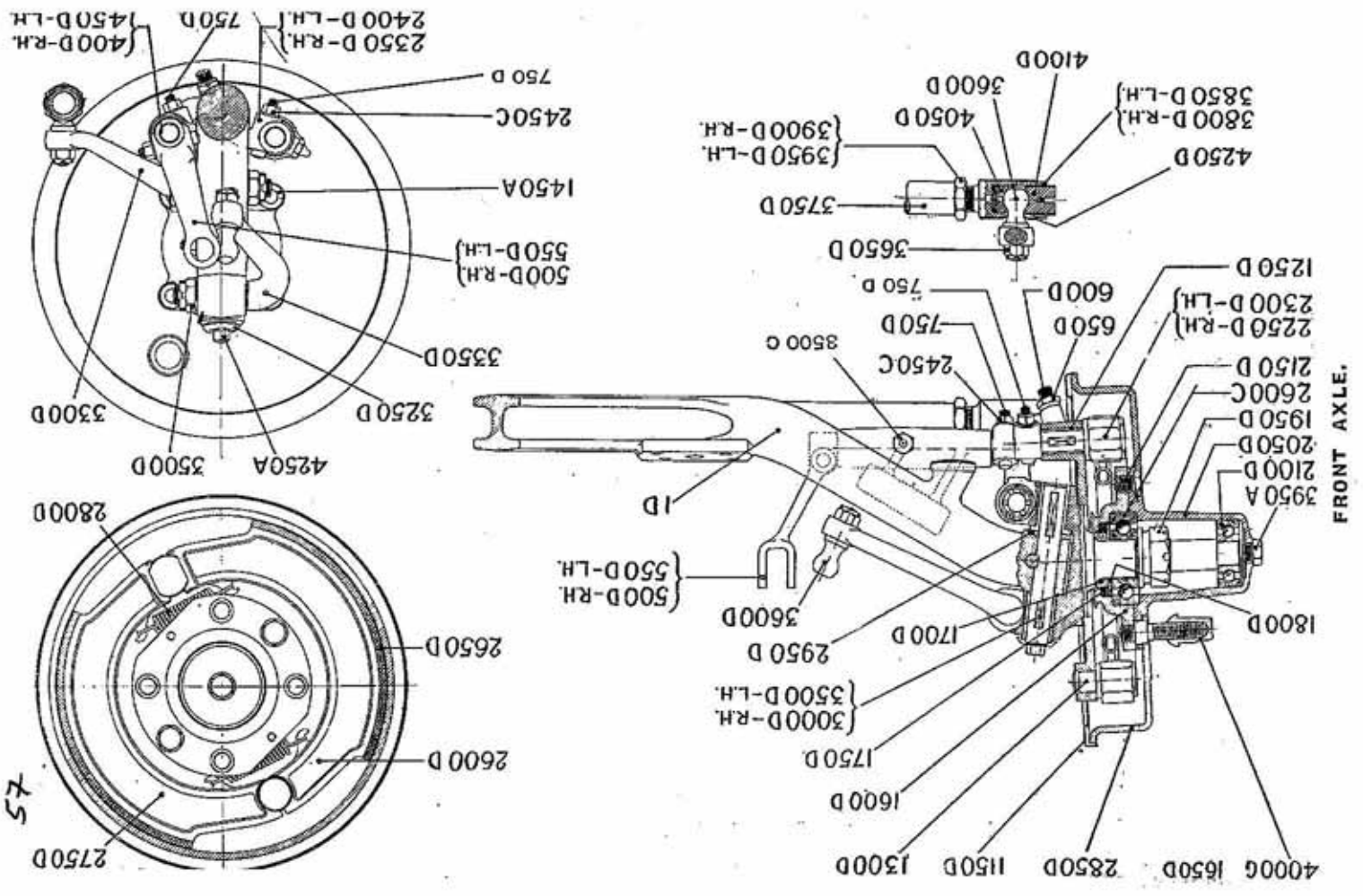
Part Number.	Description.	No. per Set.	Price. f. s. d.
	BODY FITTINGS (4-DOOR SALOON)—Continued.		
4150P	Plate for Spare Wheel Block.	1	6
2050P	Screws for Plate for Spare Wheel Block.	2	1 ea.
4250P	Battery Box.	1	6 3
1150P	Screws for Battery Box.	14	1 ea.
4350P	Front Carpet.	1	16 6
4400P	Rear Carpet.	1	1 4 9
Bumpers.			
5000P	Front Bumper.	1	2 2 0
1600G	Bolts for Front Bumper.	4	3 ea.
4450A	Spring Washers for Front Bumper.	4	1 ea.
1450A	Nuts for Front Bumpers.	4	1 ea.
5200P	Rear Bumper (Offside).	1	1 1 0
5250P	Rear Bumper (Nearside).	1	1 1 0
4700G	Bolts for Rear Bumper (Long).	2	3 ea.
4770G	Bolts for Rear Bumper (Short).	2	3 ea.
1650A	Nuts for Bolts.	4	1 ea.
1600A	Spring Washer for Bolts.	4	1 ea.





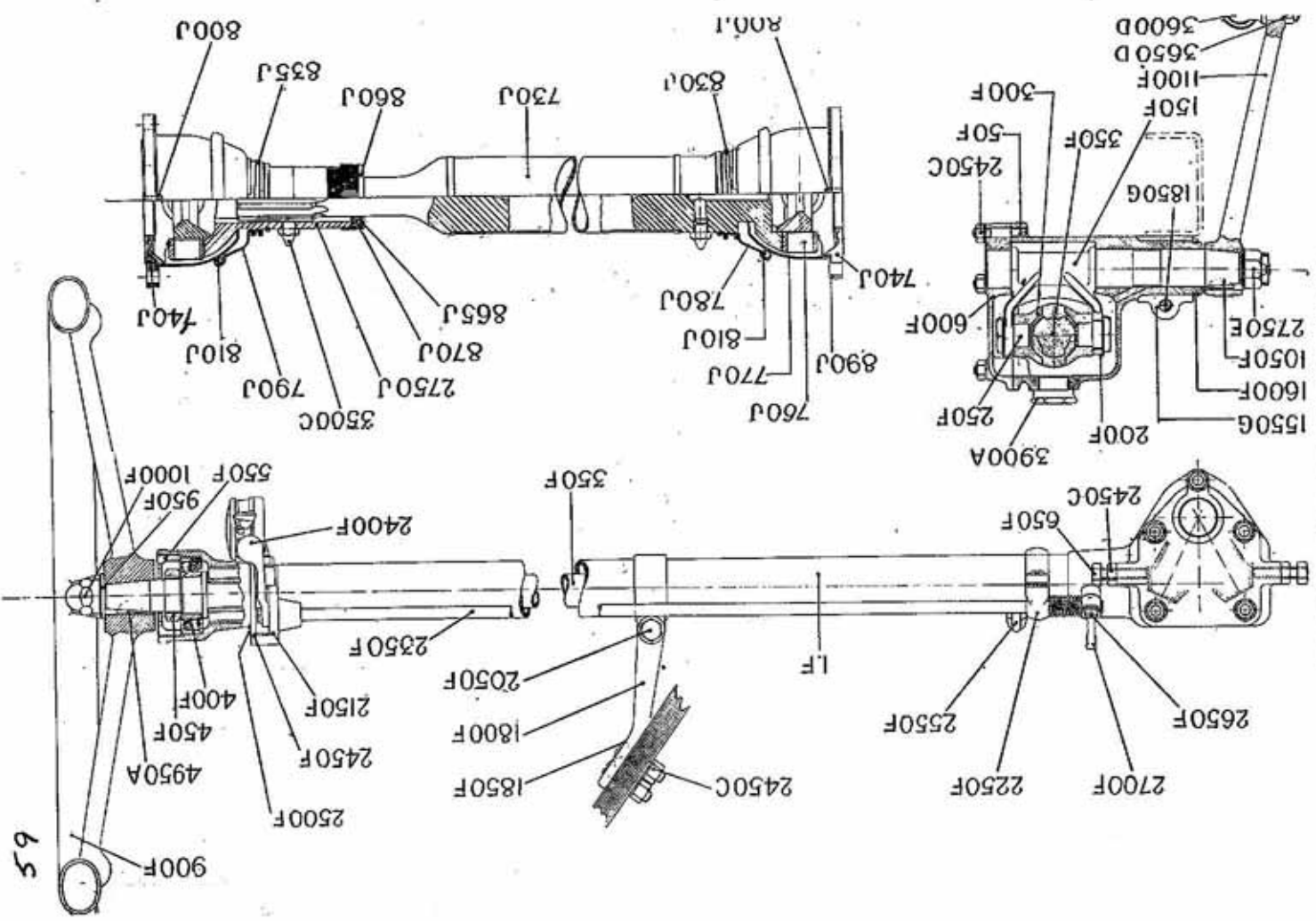
SAE 1045 S.A.

GEAR BOX.

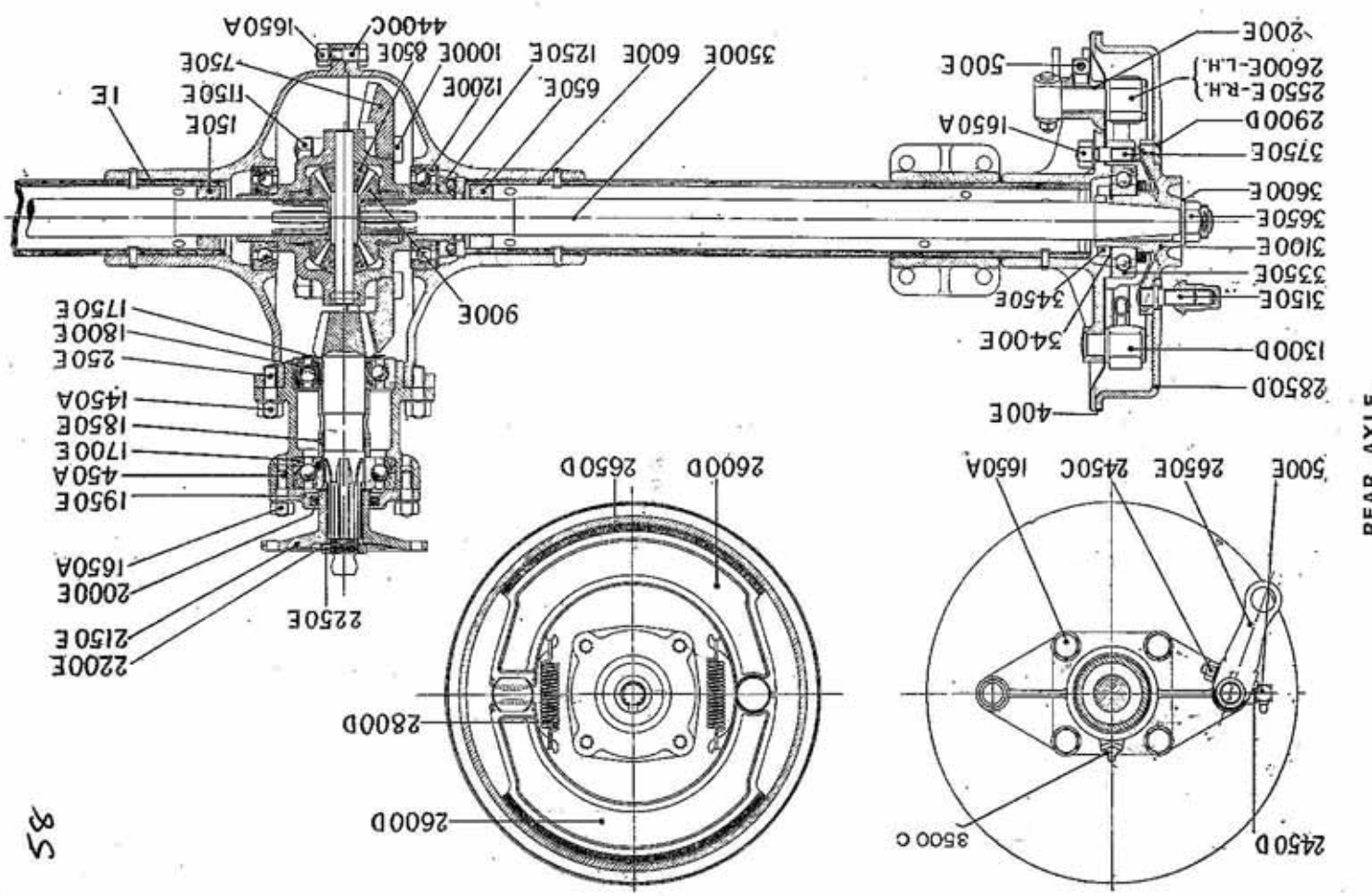


57

56



STEERING AND PROPELLER SHAFT.



REAR AXLE.

Conditions of Guarantee.

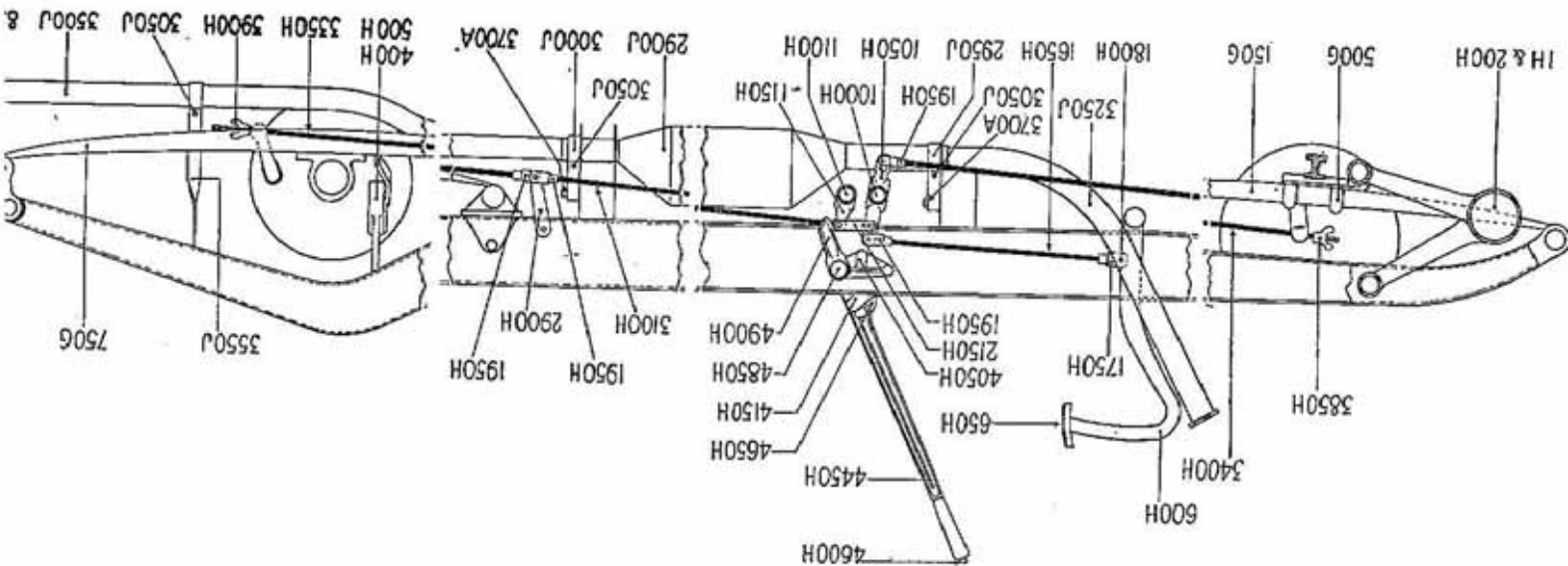
A. J. Stevens & Co. (1914) Ltd. (hereinafter called the Company), of Graiseley House, Wolverhampton, hereby warrants and guarantees as regards cars of its manufacture, that all customary and reasonable precautions have been taken by them to secure excellence of material and workmanship, and in the event of any defect being disclosed in any part, or parts, of such cars exclusive of proprietary fittings such as Tyres, Speedometer, Electrical Equipment, Lamps, Horn, or other goods not of the Company's manufacture, undertakes to repair or replace any defective part, or parts free of charge, subject to such part, or parts, alleged to be defective being forwarded within TWELVE MONTHS after the purchase of the car, carriage paid to the Company's Works at Wolverhampton, bearing the sender's name and address, with an advice note under separate cover also stating the sender's name and address, the chassis and/or car number, the number of the Guarantee Certificate held by the owner of the car, and an intimation that the owner of such Certificate wishes to have the alleged defective part, or parts, exchanged or made good under the terms of the Company's Guarantee. Parts returned to the Company's Works without such Advice Note will be at the risk of the sender, and any car sent to the Company for repair will be driven by the Company's employees at the risk and responsibility of the owner.

The decision of the Company in all cases of claims shall be final and conclusive, and any claimant must accept the Company's decision with regard to such claims. After the expiration of THREE MONTHS from the despatch of notification of such decision the part, or parts, submitted for inspection may be scrapped by the Company or returned carriage forward to the owner.

The purchaser shall, at the time of purchase, personally sign and forward to the Company the card of application for a Guarantee Certificate supplied by the Company, and thus register with the Company his name, address, date of purchase, number of car and/or chassis, and obtain from the Company a signed copy of its Guarantee, which Guarantee shall not be assigned or transferred except by the written consent of the Company first obtained.

This warranty is strictly limited in its application to new cars of the Company's manufacture, and in the event of any resale of a car by the owner the Guarantee Certificate he may hold is not transferable, except by the written consent of the Company first obtained, nor shall this warranty apply to defects arising during, or caused by, motor racing, if the car has been altered after leaving the Company's Works, wear and

CHASSIS.



tear, accident, misuse or neglect, if the car has been, or is let out on hire, or has had the factory identification numbers or plates altered or removed, or has been fitted with a body which has not been inspected and approved in writing by the Company.

The Company does not issue any other form of Guarantee or warranty as regards cars of their manufacture, nor is any Distributor, Dealer or Agent of the Company authorised to pledge the credit of the Company, or to assume any obligation on its behalf, or to bind it thereby or to transact business on its account in any way whatsoever other than by the sale of cars purchased from the Company (the term Distributor, Dealer or Agent being used in a complimentary sense only), and no Distributor, Dealer or Agent has authority to make any warranty or representation on behalf of the Company other than those contained in the current catalogue and price lists issued by the Company from time to time, and this warranty is given in lieu of any warranty, condition or obligation which is, or could be, implied by Common Law, Statute, or otherwise, all of which are hereby expressly excluded and shall be accepted by any and every purchaser of one of the Company's cars as one of the terms and conditions of sale.

INDEX.

<i>Description of Parts.</i>	<i>Pages on which Description and Prices will be found.</i>
Important Notes	1
Introduction	2-3
Accelerator Pedal Control	37-38
Alterations and Additions necessary for Fitting Fan to 9-h.p. Engine	11-12
Body Fittings (4-door Saloon)	51-54
Bonnet	50
Bumpers	54
Chassis	27-31
Clutch	12-13
Controls (Brake)	32-35
Dash Board and Fittings	45-47
Engine	4-11
Front Axle	17-20
Gearbox	13-17
Head Lamp Supports, Wings, Valences and Running Boards, etc.	42-44
Luggage Grid	41
Oil Pipes, etc.	49
Petrol Tank and Fittings	40
Petrol and Feed Pipes	48-49
Propeller Shaft	35-36
Propeller Shaft (Hardy Spicer)	36-37
Radiator and Fittings	38-39
Rear Axle	21-23
Rear Number Plate and Fittings	41
Shock Absorbers	31
Silencer and Pipes	39-40
Steering	24-25
Throttle and Ignition Controls	25-27
Tools, Accessories	49-50

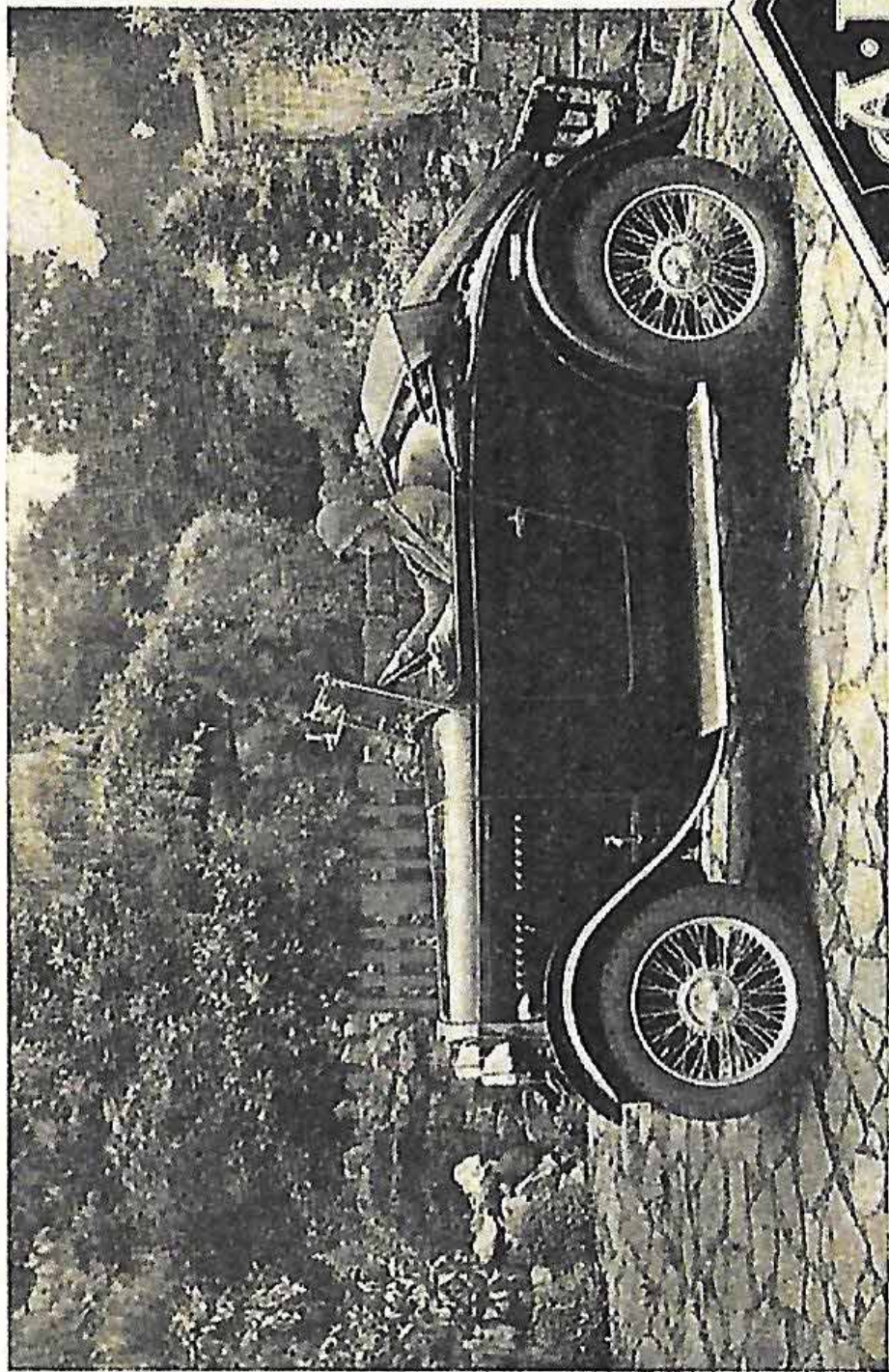
A.J.S.

ALTERATIONS IN PRICES

<u>Part No.</u>	<u>Description.</u>	<u>Old Price.</u>	<u>Revised Price.</u>
1900A	Connecting Rod	£1. 0. 0.	£1. 5. 0.
2150A	Gudgeon Pin	1. 6.	2. 6.
1400C	Layshaft Gear	£3. 3. 0.	£2.10. 0.
1800C	Sleeve Gear	£2. 0. 0.	£1.17. 6.
2650C	1st & Reverse Gear	£1. 6. 0.	£1. 5. 0.
2700C	2nd & Top Gear	£1. 0. 0.	£1. 2. 6.
2750C	Prop. Shaft Speedo. Gear	5. 6.	7. 6.
3150C	Gear for Speedo. Cable	2. 6.	5. 6.
1E	Rear Axle Casing	£2.11. 0.	£3. 0. 0.
30E	Rear Axle Casing	£2.11. 0.	£3. 0. 0.
3500E	Axle Shaft	£1.11. 0.	18. 6.
4000G	Wheel Nut	8d	1. 0.
5300G	Front Apron	15. 0.	£1. 0. 0.
1B	Cylinder Head Gasket	4. 0.	5. 0.
3000D	Front Axle Swivel Pin R.H.	3. 6.	2. 6.
3050D	Front Axle Swivel Pin L.H.	3. 6.	2. 6.
950D	Swivel Top Bush	3. 6.	2. 6.
1000D	Swivel Bottom Bush	4. 6.	3. 6.
2800G	Rubber Support Block	6.	1. 0.

R.H. COLLIER & CO. LTD.,
COLLIER'S CORNER,
SOUTH YARDLEY,
BIRMINGHAM.

"The choice of an A.J.S. is proof of good judgement"



MODELS and PRICES
"Richmond" Saloon £197
★ De Luxe Coach- built 2-Seater (with Dickey) (as illustration), £199
De Luxe Fabric Saloon £219
De Luxe Coachbuilt Saloon £229



Catalogue and name of nearest dealer sent. :: :: Also trial run arranged.
A. J. STEVENS & Co. (1914) Ltd., WOLVERHAMPTON
LONDON DISTRIBUTORS: H. TAYLOR & CO., LTD., 49-53, Sussex Place, S. Kensington, S.W.7

Whitehead Bros
(Wolverhampton) Ltd
Printers